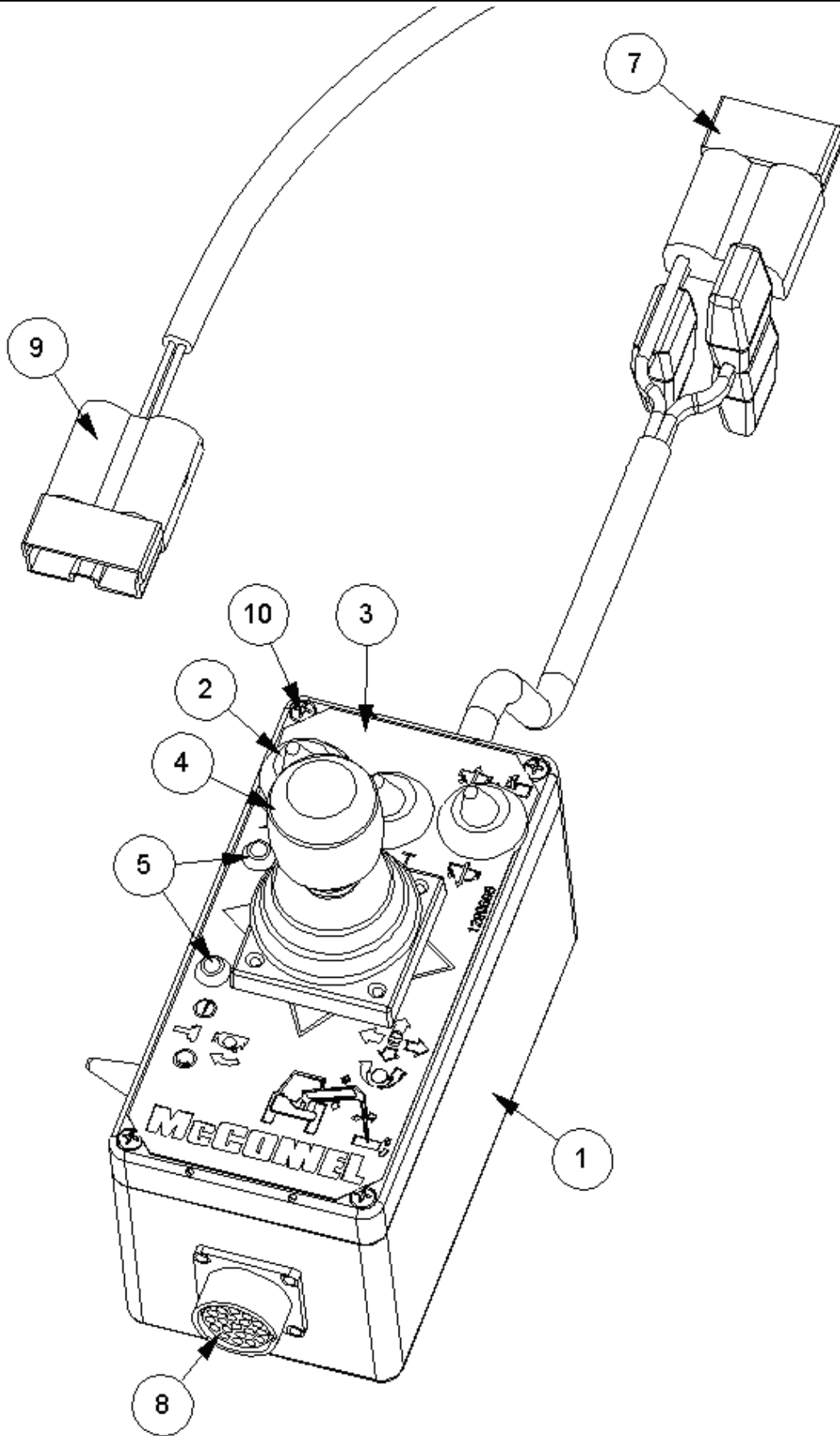
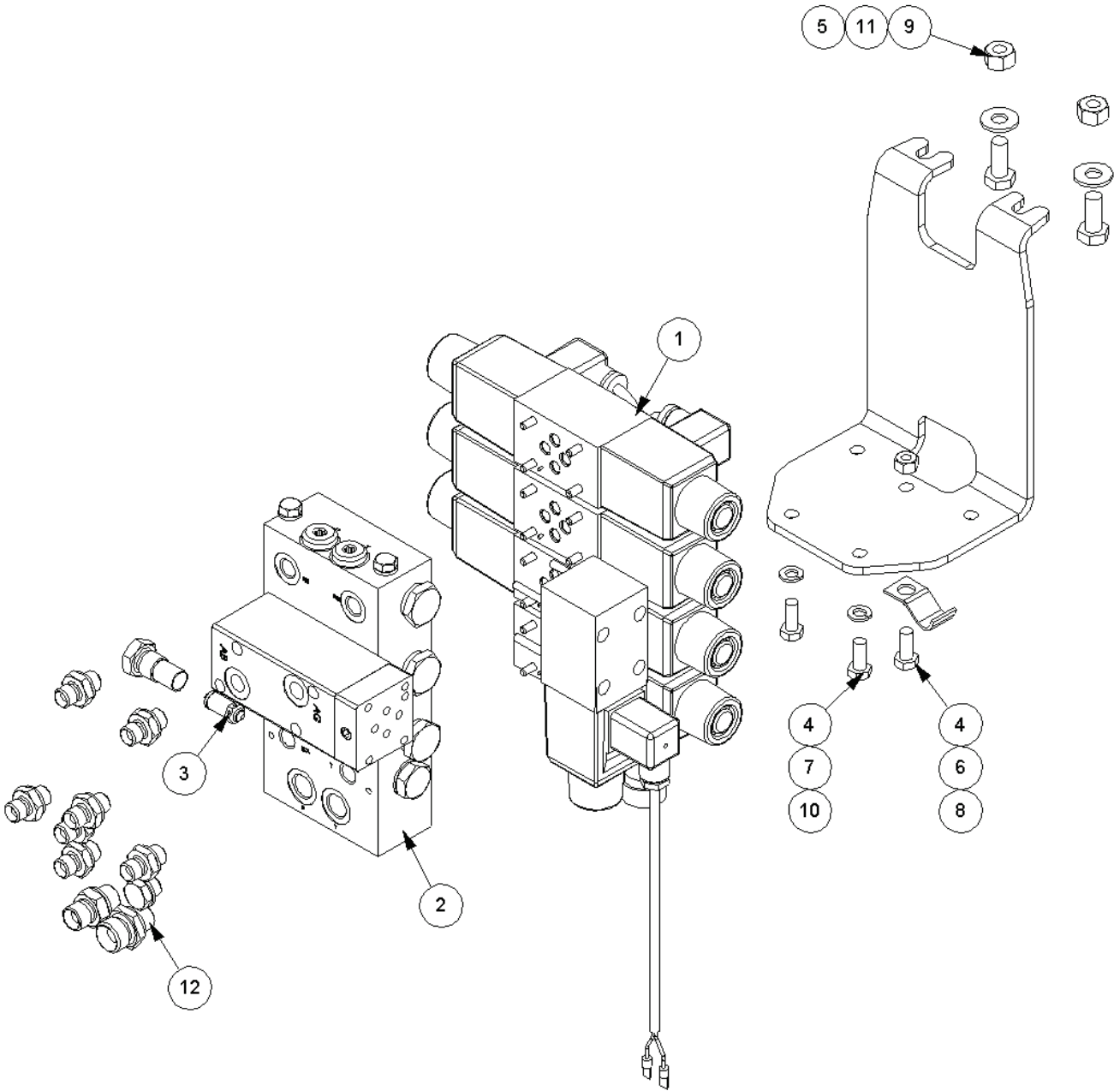


8402919 - MINI XTC KIT

Ref	Part No	Description	Qty
1	8402394	CONTROL BOX	1
2	42442.03	BRACKET	1
3	2800243	SCREW	4
4	8402701	BOX	1
5	1290717	DECAL	1

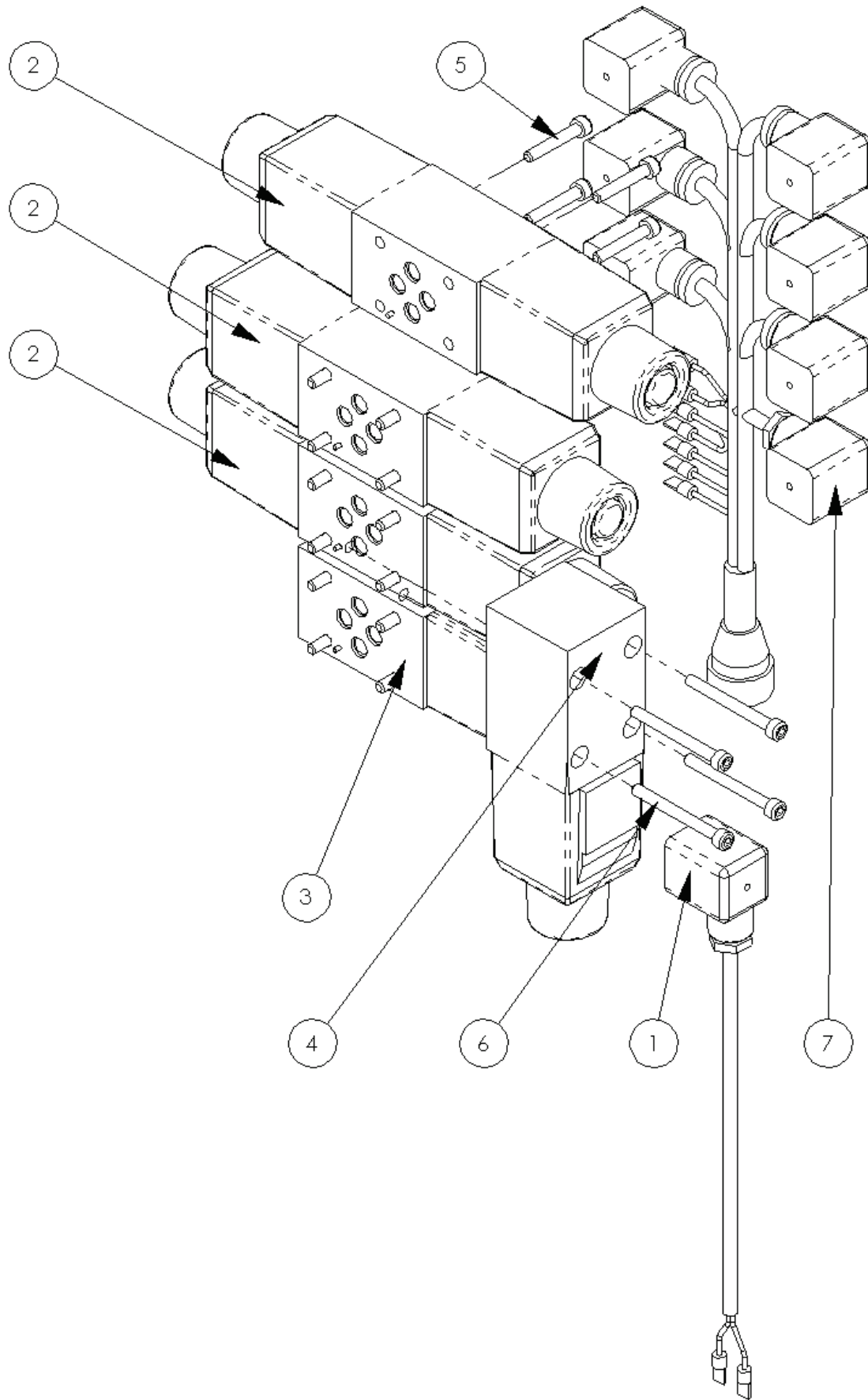




7434557 - ACV ASSY

Ref	Part No	Description	Qty
1	22525.08	CONTROL SOLENOID KIT	1
2	22523.20	MANIFOLD ASSY	1
3	8130029	VALVE	1
4	9313044	SCREW	5
5	9313055	SCREW	2
6	7109151	CLAMP	1
7	9100204	WASHER	4
8	9163004	NUT	1
9	9163005	NUT	2
10	41196.57	VALVE MTG PLATE	1
11	9100105	WASHER	2
12	22524.48	ADAPTOR KIT	1

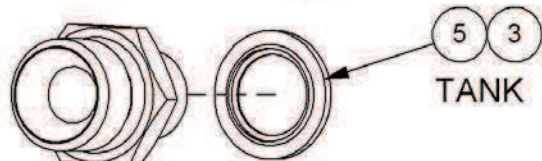
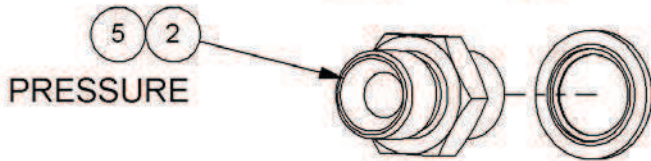
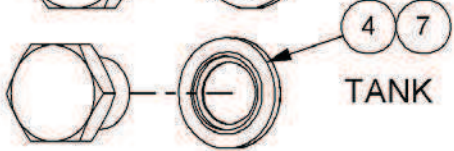
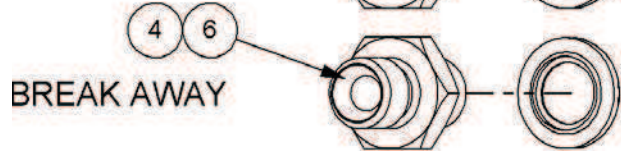
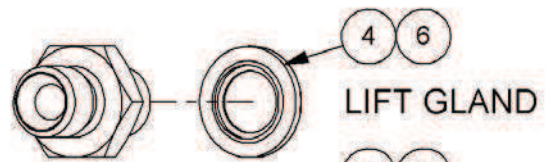
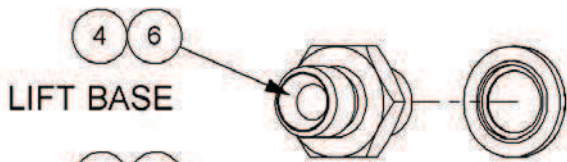
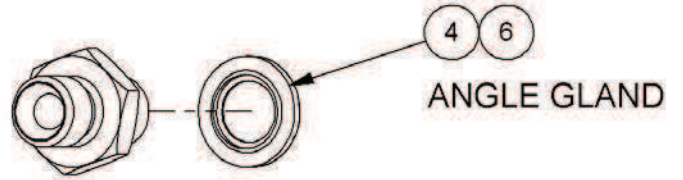
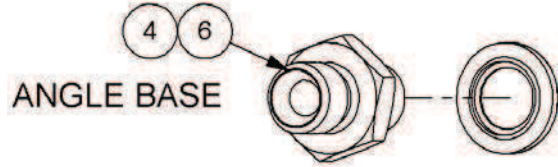
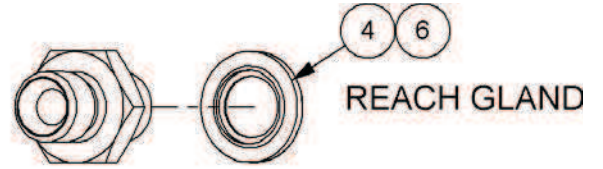
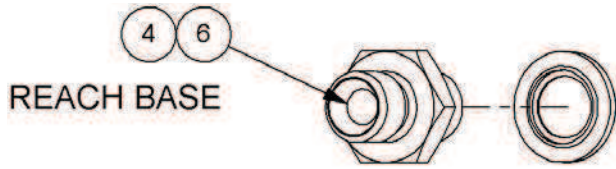
22525.08 B - CONTROL SOLENOID KIT



22525.08 B - CONTROL SOLENOID KIT

Ref	Part No	Description	Qty
1	8402338	LOOM	1
2	41784.48	VALVE	3
3	8130456	VALVE	1
4	8130457	VALVE	1
5	9243062	SCREW	16
6	9243102	SCREW	4
7	41844.02	LOOM	1

22524.48 B - ADAPTOR KIT



22524.48 B - ADAPTOR KIT

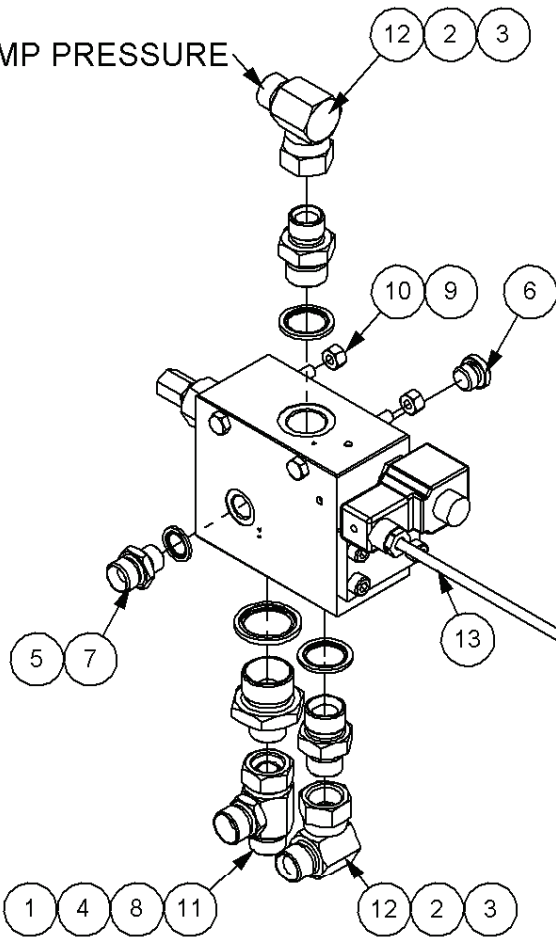
Ref	Part No	Description	Qty
1	6000113	UNION	1
2	6000112	REDUCER	1
3	8650102	SEAL	8
4	8650103	SEAL	2
5	8581169	UNION	7
7	520378	PLUG	1

7434568 B - RCV ON/OFF

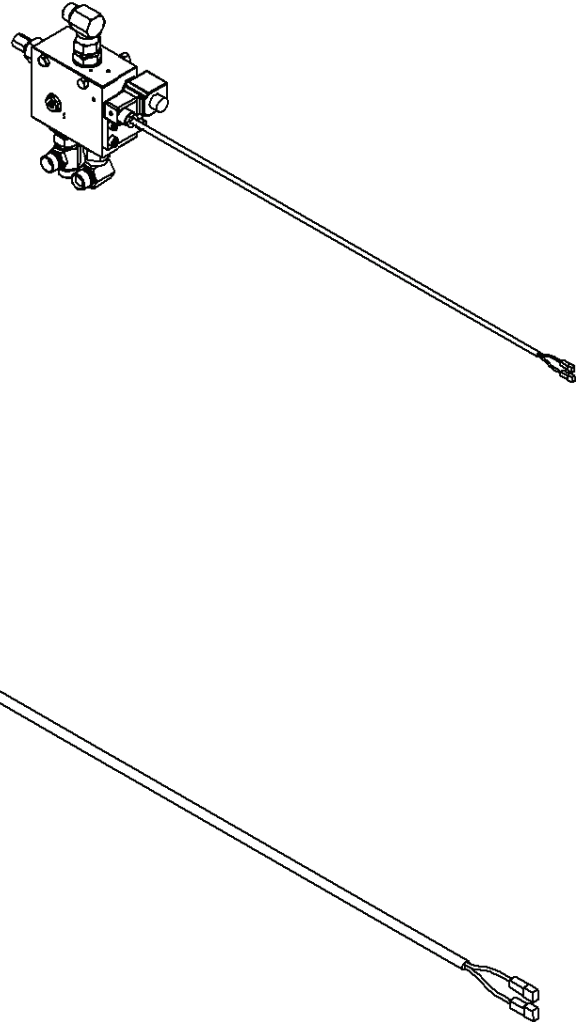
FOR LH BUILDS SWAP POSITIONS
OF ITEMS 6 WITH ITEMS 5 & 7.

LH BUILD

PUMP PRESSURE

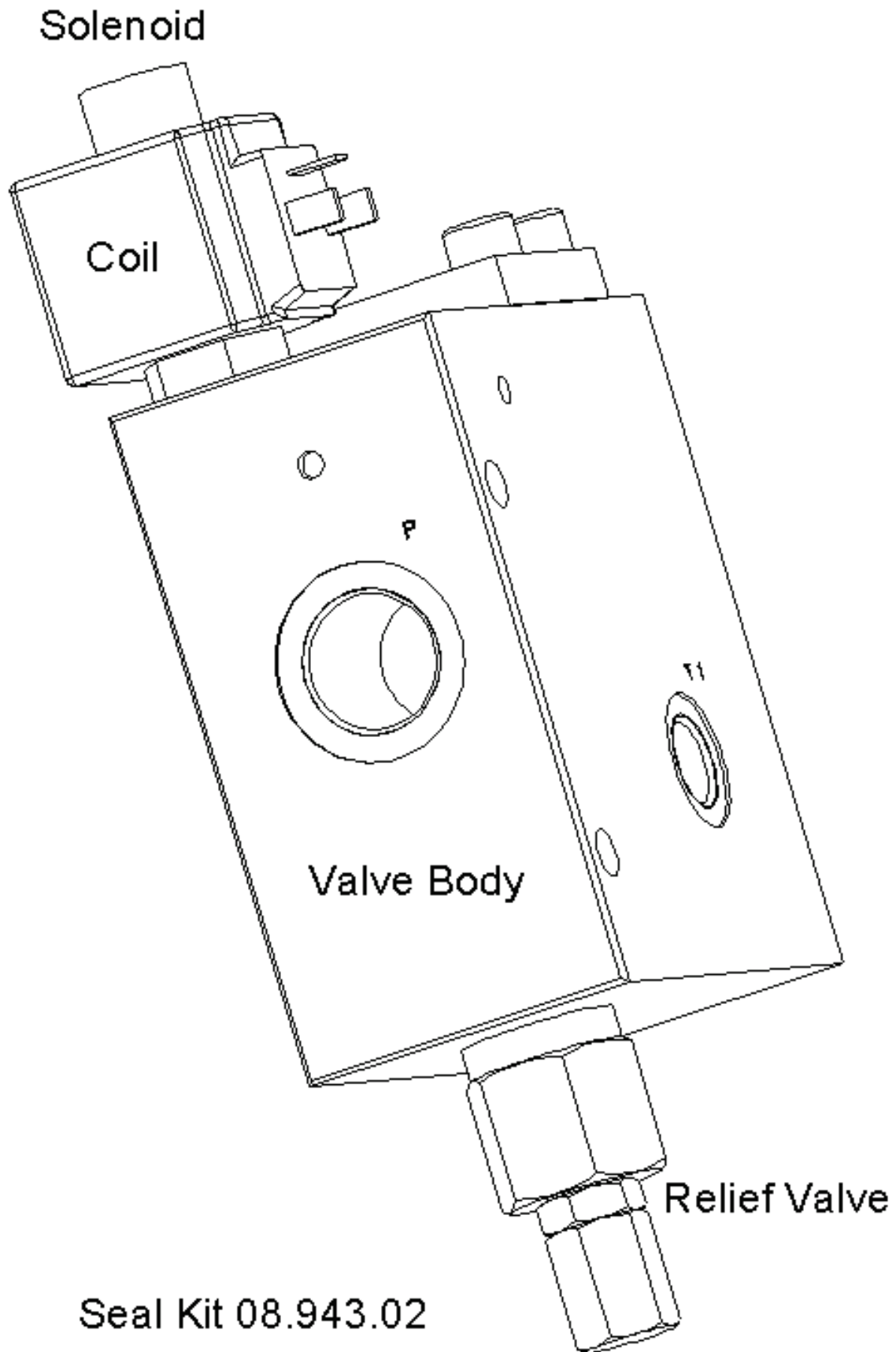


RH BUILD SHOWN



7434568 B - RCV ON/OFF

Ref	Part No	Description	Qty
1	08.943.01	VALVE	1
2	8581270	ADAPTOR	2
3	8650106	SEAL	2
4	8650108	SEAL	1
5	8650103	SEAL	1
6	8581436	PLUG	1
7	6000112	REDUCER	1
8	8581378	ADAPTOR	1
9	9213164	BOLT	2
10	9163004	NUT	2
11	8581460	ADAPTOR	1
12	8581338	ADAPTOR	2
13	43177.29	LOOM	1



08.943.01 - VALVE

Ref	Part No	Description	Qty
0	08.943.02	SEAL KIT	1
0	08.943.20	BODY ASSY	1
0	08.943.21	RELIEF VALVE	1
0	08.943.22	COIL	1
0	08.943.23	SOLENOID	1