



**For best performance...**  
**USE ONLY McCONNEL SERVICE PARTS**  
To be assured of the latest design improvements purchase your  
**'Genuine Replacements'** from the **Original Equipment Manufacturer:**  
**McCONNEL LIMITED** through your local Dealer or Stockist.

Always quote:

- **Machine Type**
- **Serial Number**
- **Part Number**

*Design Improvements may have altered some of the parts listed in this manual – The latest part will always be supplied when it is interchangeable with an earlier one.*

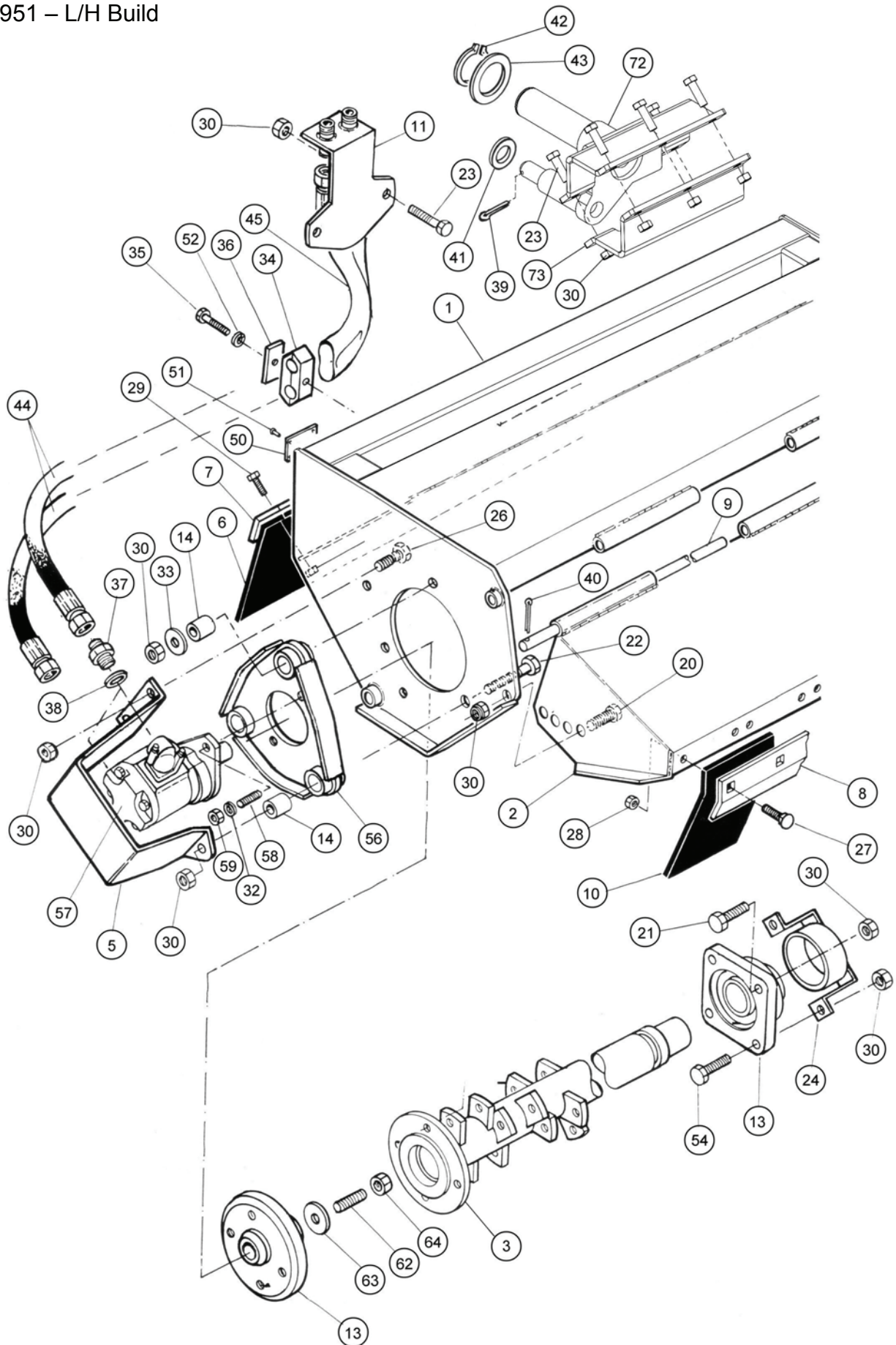


**Genuine Parts ~ Quality Service**



# FLAILHEAD – MAIN ASSEMBLY

Module:  
7490951 – L/H Build

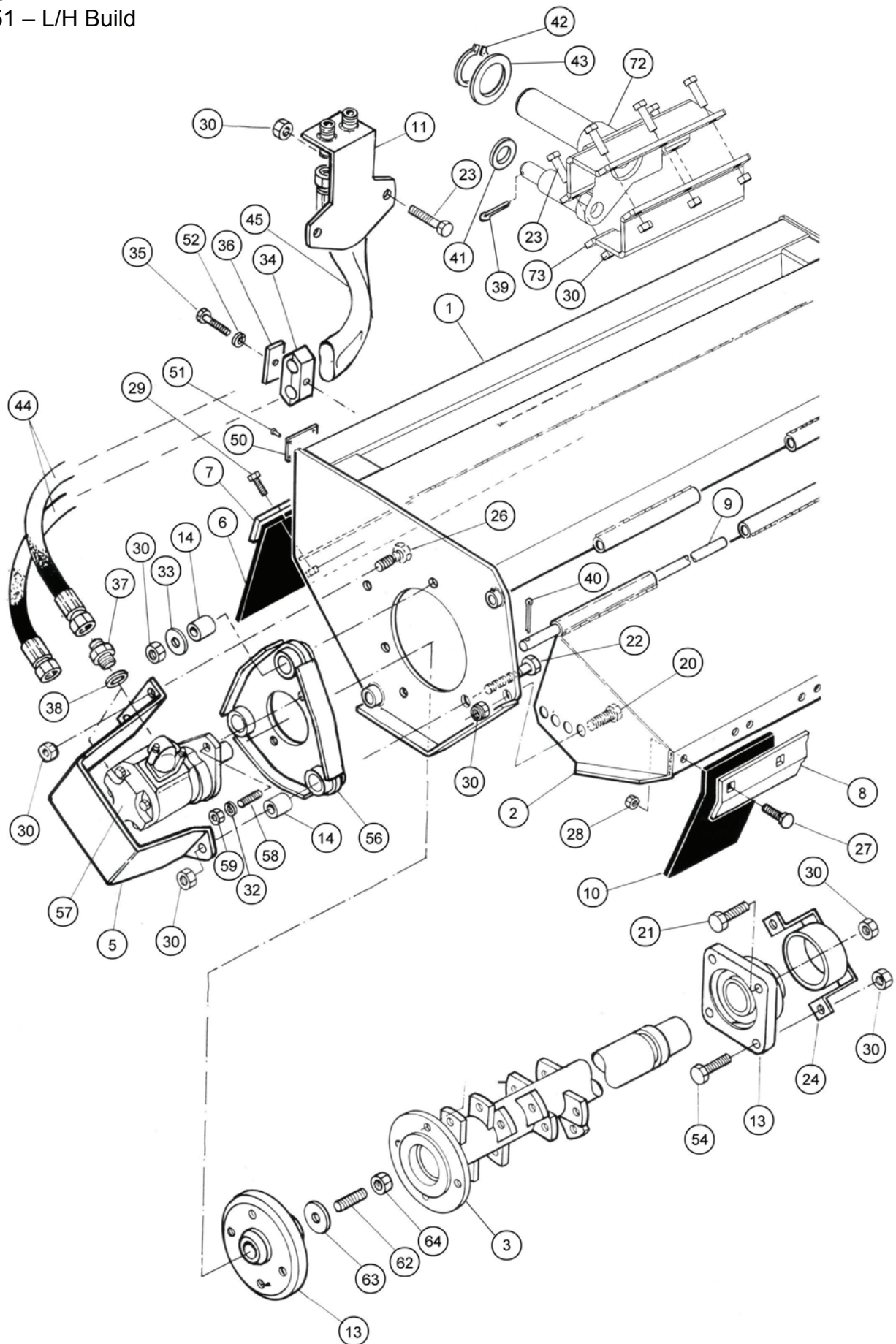


**FLAILHEAD – MAIN ASSEMBLY**

| REF. | QTY. | PART No.       | DESCRIPTION                               |
|------|------|----------------|---|
|      |      | <b>7490951</b> | <b>0.9m SLIDING FLAILHEAD - L/H Build</b> |
| 1    | 1    | 41282.10       | CASING - Sliding L/H Build                |
| 2    | 1    | 41283.01       | FRONT HOOD                                |
| 3    | 1    | 41284.01       | ROTOR - 900mm 9                           |
| 4    | 2    | 41285.01       | ROLLER BRACKET <i>(not illustrated)</i>   |
| 5    | 1    | 41288.01       | MOTOR COVER                               |
| 6    | 1    | 41289.01       | REAR FLAP                                 |
| 7    | 1    | 41290.01       | CLAMP STRIP - REAR                        |
| 8    | 1    | 41291.01       | CLAMP STRIP - FRONT                       |
| 9    | 1    | 41293.01       | HOOD PIVOT BAR                            |
| 10   | 6    | 41296.01       | FRONT FLAP                                |
| 11   | 1    | 41297.01       | HOSE BRACKET                              |
| 12   | 1    | 41301.01       | ROLLER ASSEMBLY <i>(not illustrated)</i>  |
| 13   | 1    | 03.008.01      | BEARING ASSEMBLY                          |
| 14   | 3    | 03.871.01      | RUBBER BUSH                               |
| 15   | 48   | 02.801.01      | COLLAR <i>(not illustrated)</i>           |
| 16   | 24   | 05.775.02      | BOLT <i>(not illustrated)</i>             |
| 17   | 24   | 05.895.01      | FORGED SHACKLE <i>(not illustrated)</i>   |
| 18   | 48   | 7190463        | FLAIL <i>(not illustrated)</i>            |
| 19   | 24   | 02.807.01      | SPACER <i>(not illustrated)</i>           |
| 20   | 2    | 9313046        | BOLT                                      |
| 21   | 2    | 9313066        | BOLT                                      |
| 22   | 3    | 9213136        | BOLT                                      |
| 23   | 6    | 9313086        | BOLT                                      |
| 24   | 1    | 06.037.01      | BEARING COVER                             |
| 25   | 28   | 05.968.02      | SELF-LOCKING NUT                          |
| 26   | 2    | 9313056        | BOLT                                      |
| 27   | 12   | 9293054        | BOLT                                      |
| 28   | 22   | 9143004        | CLEVELOK NUT                              |
| 29   | 8    | 9313034        | BOLT                                      |
| 30   | 18   | 9143006        | CLEVELOK NUT                              |
| 31   | 4    | 9113008        | NUT                                       |
| 32   | 2    | 9100208        | SPRING WASHER                             |
| 33   | 3    | 02.824.01      | WASHER                                    |
| 34   | 2    | 06.430.09      | DOUBLE HOSE CLAMP                         |
| 35   | 1    | 9213094        | BOLT                                      |
| 36   | 1    | 06.418.03      | CLAMP PLATE                               |
| 37   | 2    | 8581270        | ADAPTOR                                   |
| 38   | 2    | 8650106        | BONDED SEAL                               |
| 39   | 1    | 9501406        | COTTER PIN                                |
| 40   | 1    | 9501325        | SPLIT PIN                                 |
| 41   | 1    | 0100109        | FLAT WASHER                               |
| 42   | 1    | 0406247        | EXTERNAL CIRCLIP                          |
| 43   | 1    | 1090037        | RETAINING WASHER                          |

# FLAILHEAD – MAIN ASSEMBLY

Module:  
7490951 – L/H Build

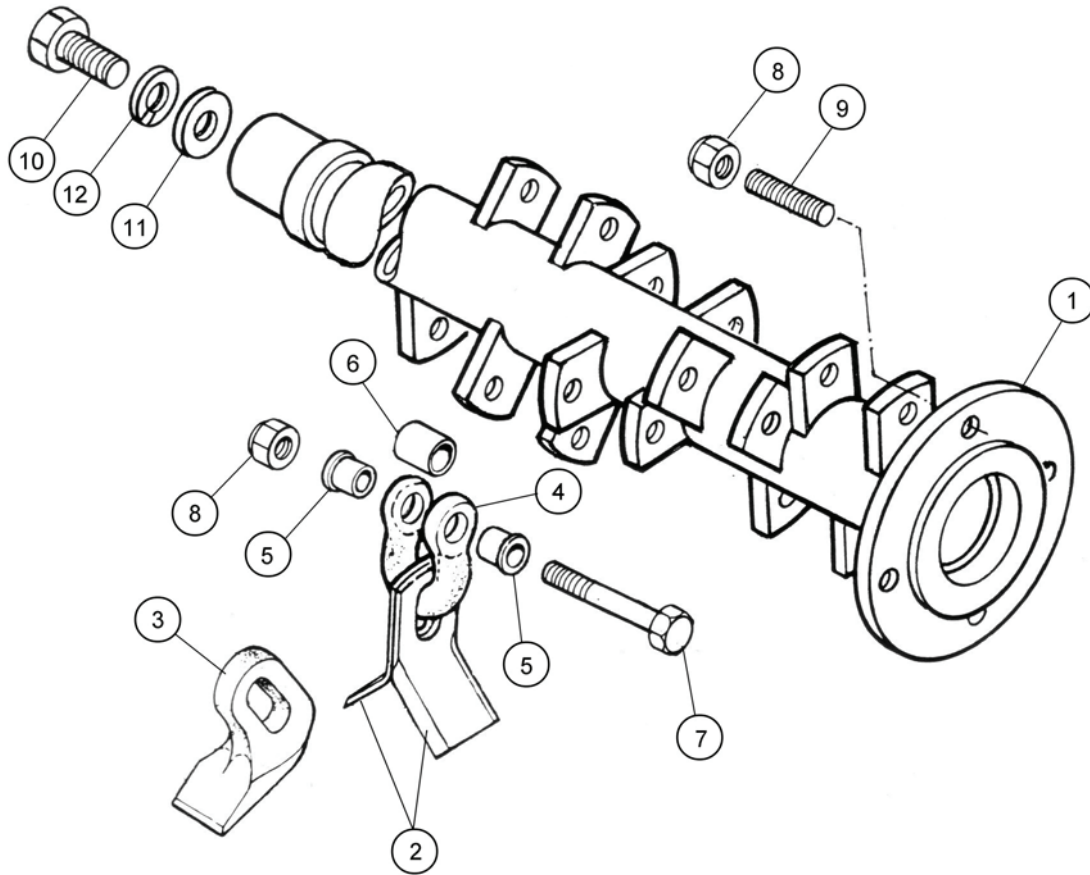


**FLAILHEAD – MAIN ASSEMBLY**

| REF. | QTY. | PART No.         | DESCRIPTION                           |
|------|------|------------------|---------------------------------------|
| 44   | 2    | 8501247          | HOSE - 5/8" BSP FS/FS x 43"           |
| 45   | 1    | 42374.10         | HOSE SLEEVING                         |
| 46   | 1    | 1290255          | DECAL                                 |
| 47   | 1    | 1290341          | DECAL                                 |
| 48   | 1    | 1290377          | DECAL                                 |
| 49   | 1    | 1290392          | DECAL                                 |
| 50   | 1    | 1335246          | SERIAL No. PLATE                      |
| 51   | 4    | 7103230          | POP RIVET                             |
| 52   | 1    | 9100204          | SPRING WASHER                         |
| 53   | 1    | 9100206          | SPRING WASHER                         |
| 54   | 3    | 9313076          | BOLT                                  |
| 55   | 1    | 42603.01         | MOTOR MOUNTING ASSEMBLY               |
|      | 1    | 42603.02         | MOTOR MOUNTING ASSEMBLY               |
| 56   | 1    | 09.132.01        | MOTOR MOUNTING PLATE                  |
| 57   | 1    | 08.785.04        | MOTOR - <i>Applicable to 42603.01</i> |
| 58   | 2    | 04.282.56        | STUD                                  |
| 59   | 2    | 9113005          | PLAIN NUT                             |
| 60   | 2    | 9100205          | SPRING WASHER                         |
| 61   | 1    | 03.833.01        | MOTOR DRIVE PLATE                     |
| 62   | 1    | 03.960.02        | STUD                                  |
| 63   | 1    | 03.959.02        | WASHER                                |
| 64   | 1    | 0141003          | CLEVELOK NUT                          |
| 65   | 4    | 03.917.01        | STUD                                  |
| 66   | 1    | 7114481          | DECAL                                 |
| 67   | 2    | 9100305          | INTERNAL SERRATED WASHER              |
| 68   | 1    | 21874.02         | CLAMP BAR - SHORT                     |
| 69   | 1    | 21874.01         | CLAMP BAR - LONG                      |
| 70   | 1    | 9213204          | BOLT                                  |
| 71   | 1    | 9213284          | BOLT                                  |
| 72   | 1    | 21872.01         | HEAD BRACKET                          |
| 73   | 1    | 21873.01         | CLAMP PLATE                           |
|      |      | <b>08.785.02</b> | <b>SEAL KIT</b>                       |

**ROTOR ASSEMBLY**

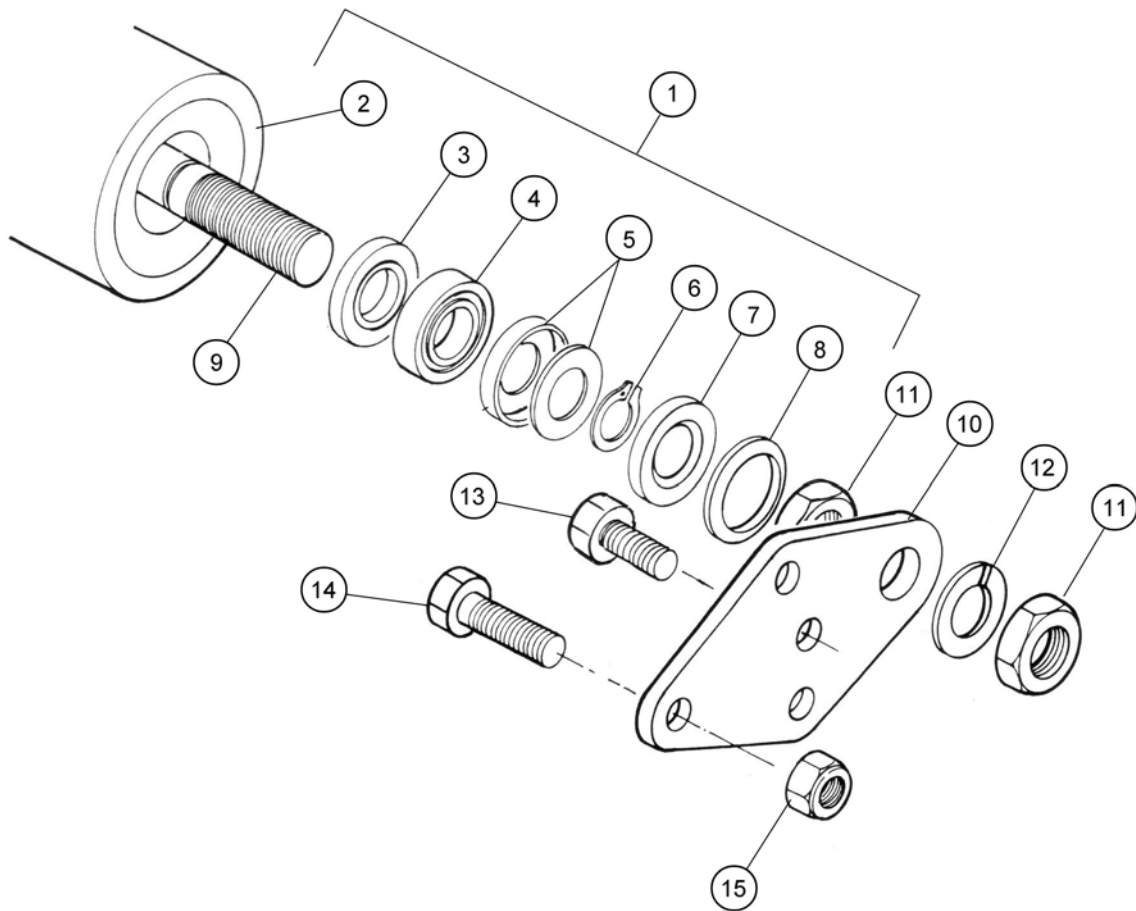
**Module:**  
41284.01 - Rotor



| REF. | QTY. | PART No.  | DESCRIPTION                |
|------|------|-----------|----------------------------|
|      |      |           | <b>0.9M ROTOR ASSEMBLY</b> |
| 1    | 1    | 41284.01  | ROTOR                      |
| 2    | 48   | 7190166   | FLAIL - GRASS              |
| 3    | 24   | 7190463   | FLAIL - UNIVERSAL          |
| 4    | 24   | 05.895.01 | SHACKLE                    |
| 5    | 48   | 02.801.01 | COLLAR                     |
| 6    | 24   | 02.807.01 | SPACER                     |
| 7    | 24   | 05.775.02 | BOLT                       |
| 8    | 28   | 05.968.02 | SELF-LOCKING NUT           |
| 9    | 4    | 03.917.01 | STUD                       |
| 10   | 1    | 9313076   | SETSCREW                   |
| 11   | 1    | 02.824.01 | SPECIAL WASHER             |
| 12   | 1    | 9100206   | SPRING WASHER              |

**ROLLER ASSEMBLY**

**Module:**  
41301.01 – Roller Assembly



| REF. | QTY. | PART No.  | DESCRIPTION                             |
|------|------|-----------|---|
|      |      |           | <b>0.9M ROLLER ASSEMBLY</b>             |
| 1    |      | 41301.01  | ROLLER ASSEMBLY - <i>Comprising of:</i> |
| 2    |      | 41301.31  | ROLLER                                  |
| 3    |      | 04.456.07 | SEAL                                    |
| 4    |      | 04.456.11 | BEARING                                 |
| 5    |      | 04.456.06 | LABYRINTH SEAL                          |
| 6    |      | 04.456.04 | EXTERNAL CIRCLIP                        |
| 7    |      | 04.456.08 | V SEAL                                  |
| 8    |      | 04.456.05 | BEARING RETAINER                        |
| 9    |      | 41301.32  | ROLLER SHAFT                            |
| 10   |      | 41285.01  | ROLLER BRACKET                          |
| 11   |      | 9113008   | PLAIN NUT                               |
| 12   |      | 9100208   | SPRING WASHER                           |
| 13   |      | 9313066   | SETSCREW                                |
| 14   |      | 9313086   | SETSCREW                                |
| 15   |      | 9143006   | SELF-LOCKING NUT                        |



McConnel Limited, Temeside Works, Ludlow, Shropshire SY8 1JL. England.  
Telephone: 01584 873131. Facsimile: 01584 876463. [www.mcconnel.com](http://www.mcconnel.com)