

PARTS MANUAL

FOR

SERIAL NO: M2374540

PRINTED ON 27 FEB 2023

22674.51 - PA3430 + PA4330 OPERATOR

Publication 651
July 2010
Part No. 22674.51



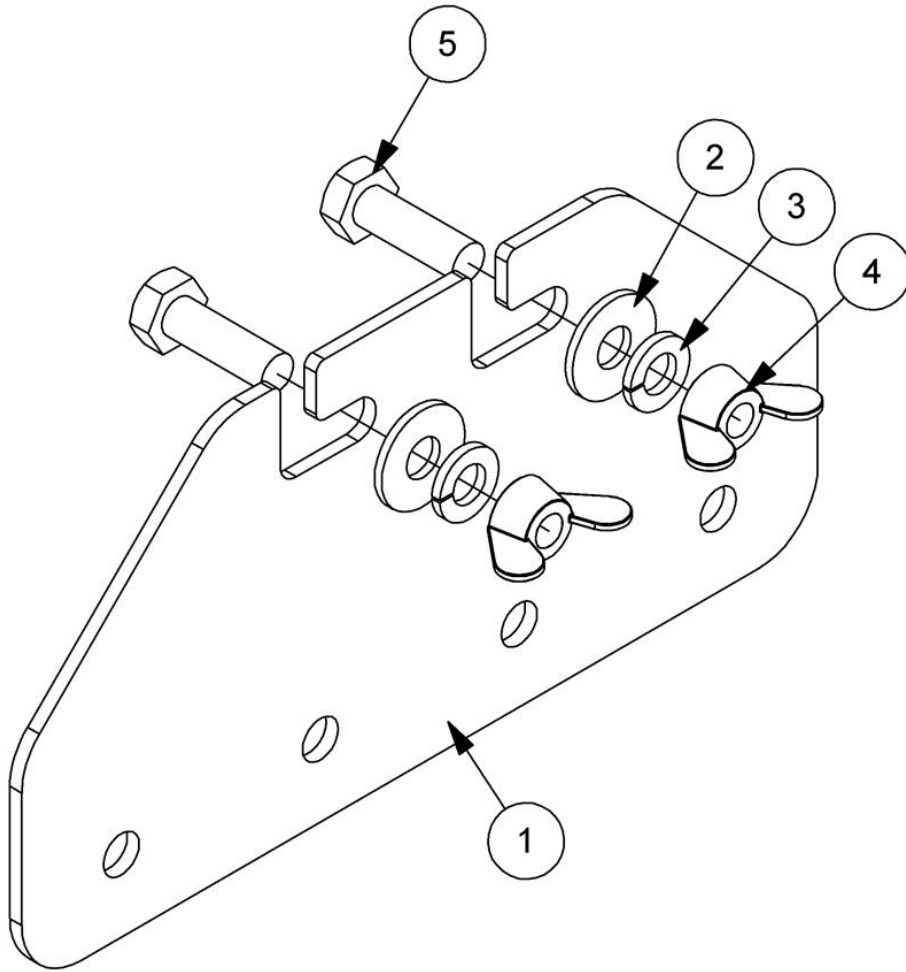
McCONNEL

PA3430 / PA4330 Series COMPACT TRIMMER / MOWER

Operator Manual

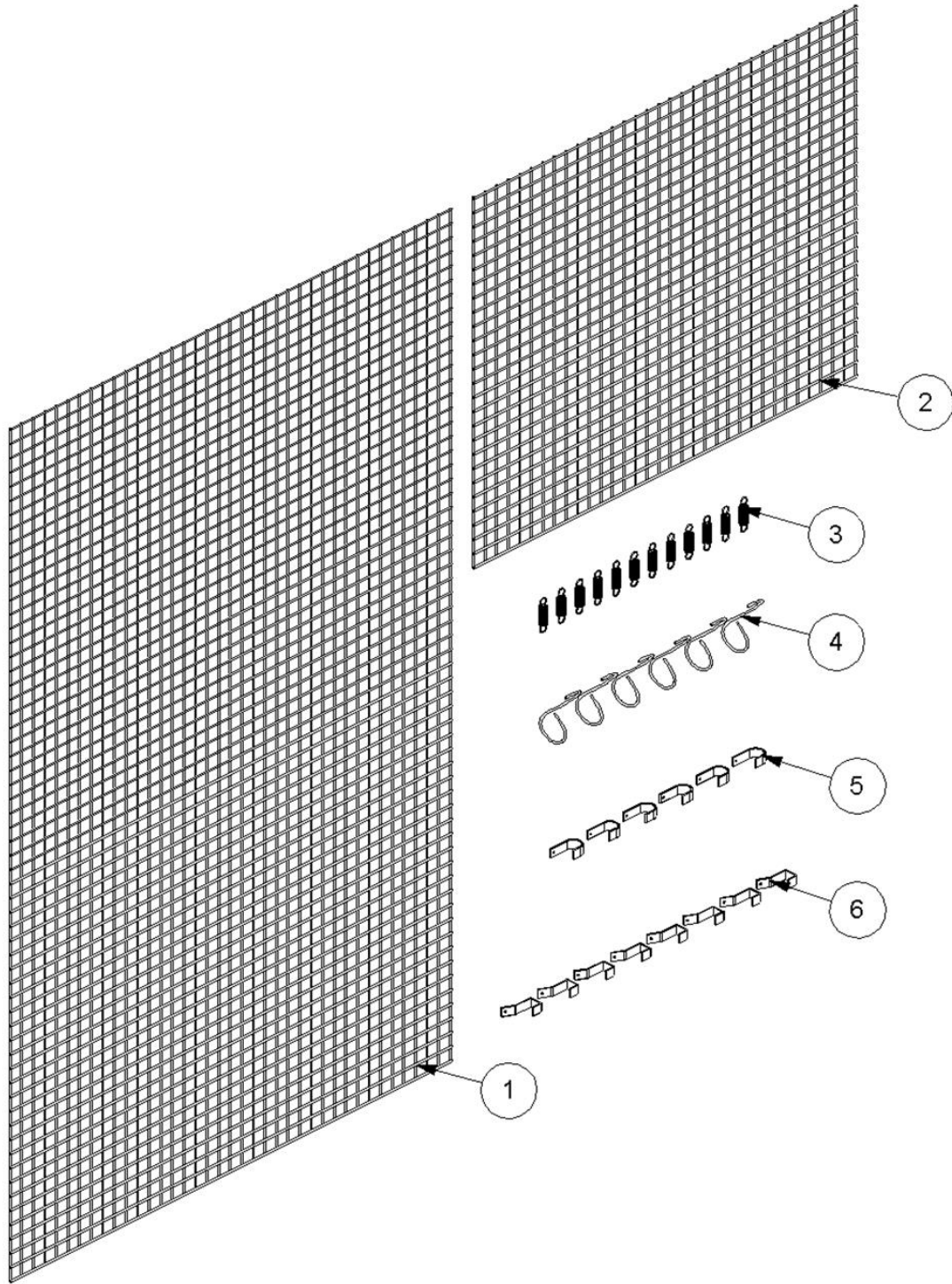


7313282 - CAB CTRL MTG MOD



Ref	Part No	Description	QTY
1	42491.01	PLATE	1
2	9100104	WASHER	2
3	9100204	WASHER	2
4	9193004	NUT	2
5	9313054	SCREW	2

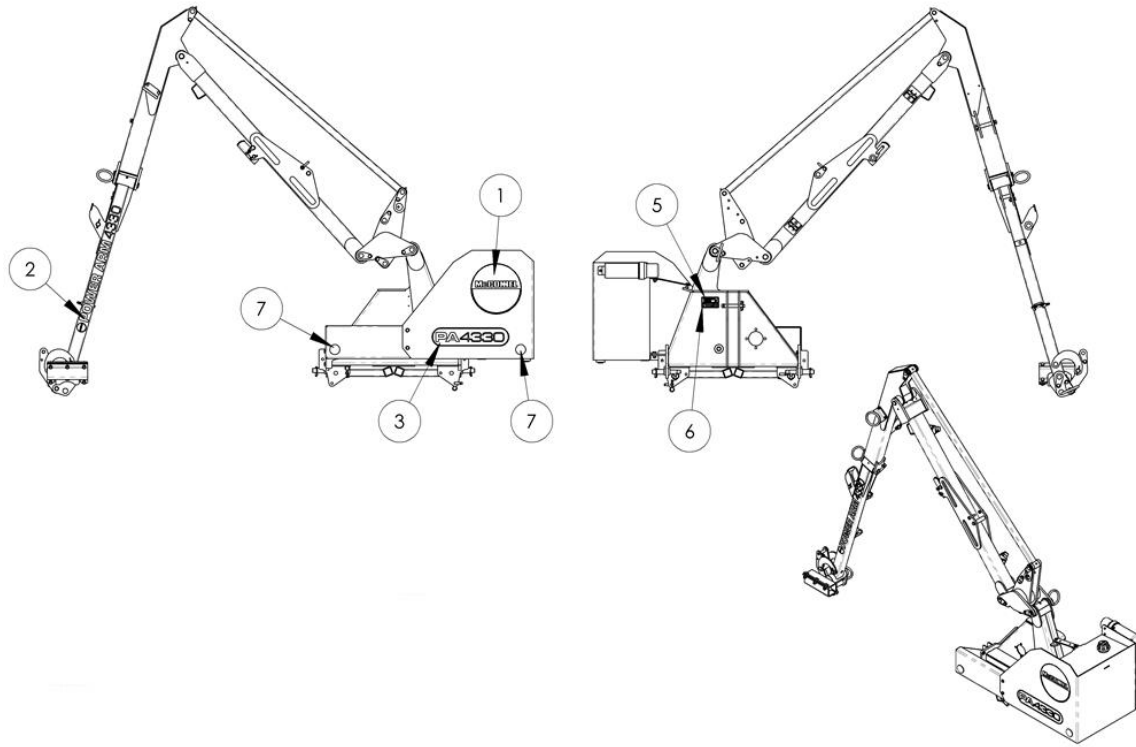
7313324 - GUARD KIT



Ref	Part No	Description	QTY
1	7313049	GUARD PANEL	1
2	7313050	GUARD PANEL	1
3	6001064	SPRING	12
4	6001065	HOOK	6
5	41587.01	GUARD HOOK	6
6	41745.01	HOOK	8

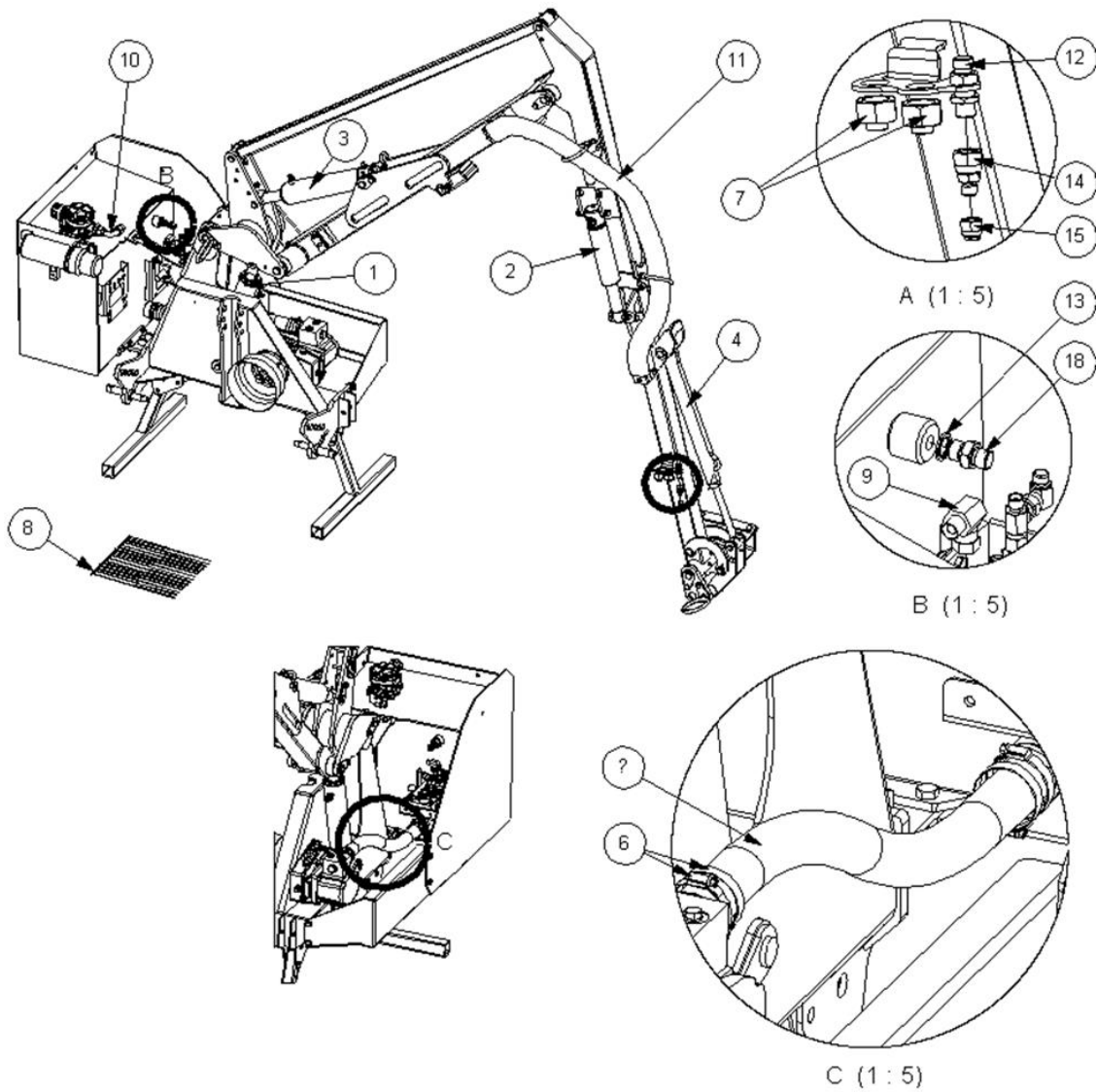
Ref	Part No	Description	QTY
7	22342.01	CABLE TIE	1
8	7196045	HOSE TIE	2

7434402 - DECAL KIT FRONT MNT



Ref	Part No	Description	QTY
1	1290870	DECAL	1
2	1290872	DECAL	1
3	1290871	DECAL	1
5	1335246	SERIAL No. PLATE	1
6	7103230	RIVET	4
7	45671.02	RELECTOR WHITE	2

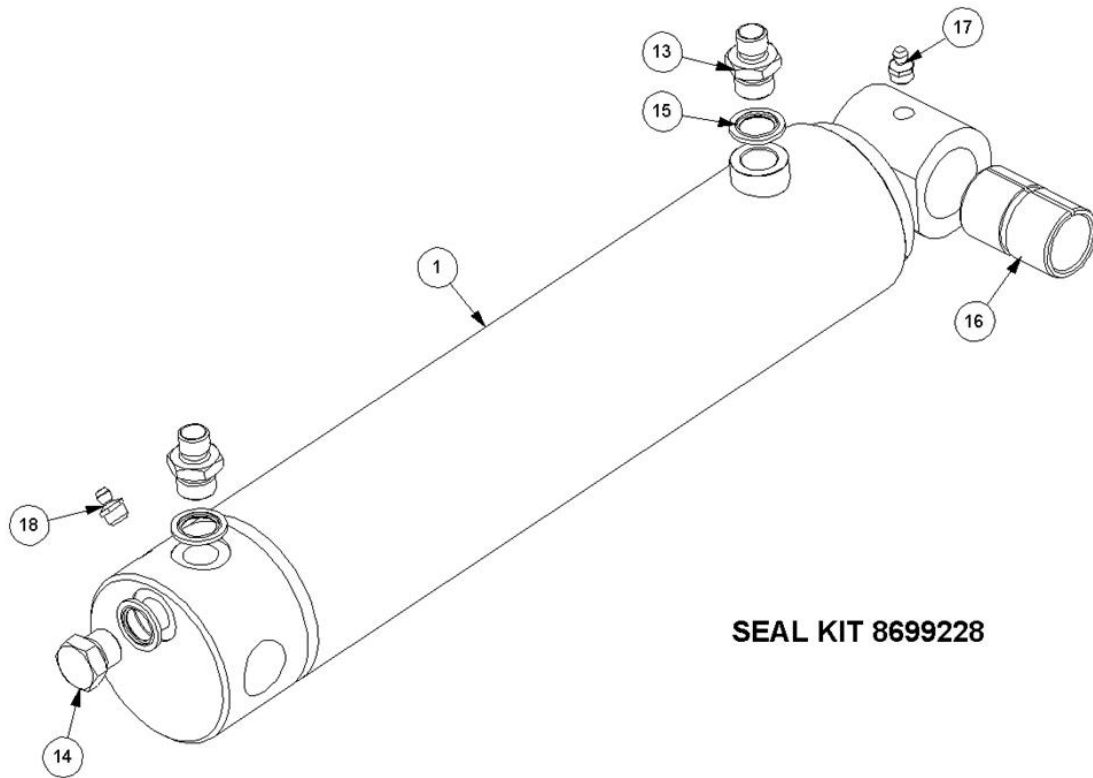
7434409 - HYD INST PA4330



Ref	Part No	Description	QTY
1	41014.12	RAM	1
2	41322.02	RAM	1
3	41014.13	RAM	1
4	7191295	RAM	1
5	8501469	HOSE	1
6	0904107	CLIP	4
7	3812119	ADAPTOR	2
8	7196045	HOSE TIE	15
9	05.835.01	ADAPTOR	1
10	8581565	ADAPTOR	1
11	22591.26	HOSE SLEEVING	1
12	T8072	ADAPTOR	1
13	8650103	SEAL	1

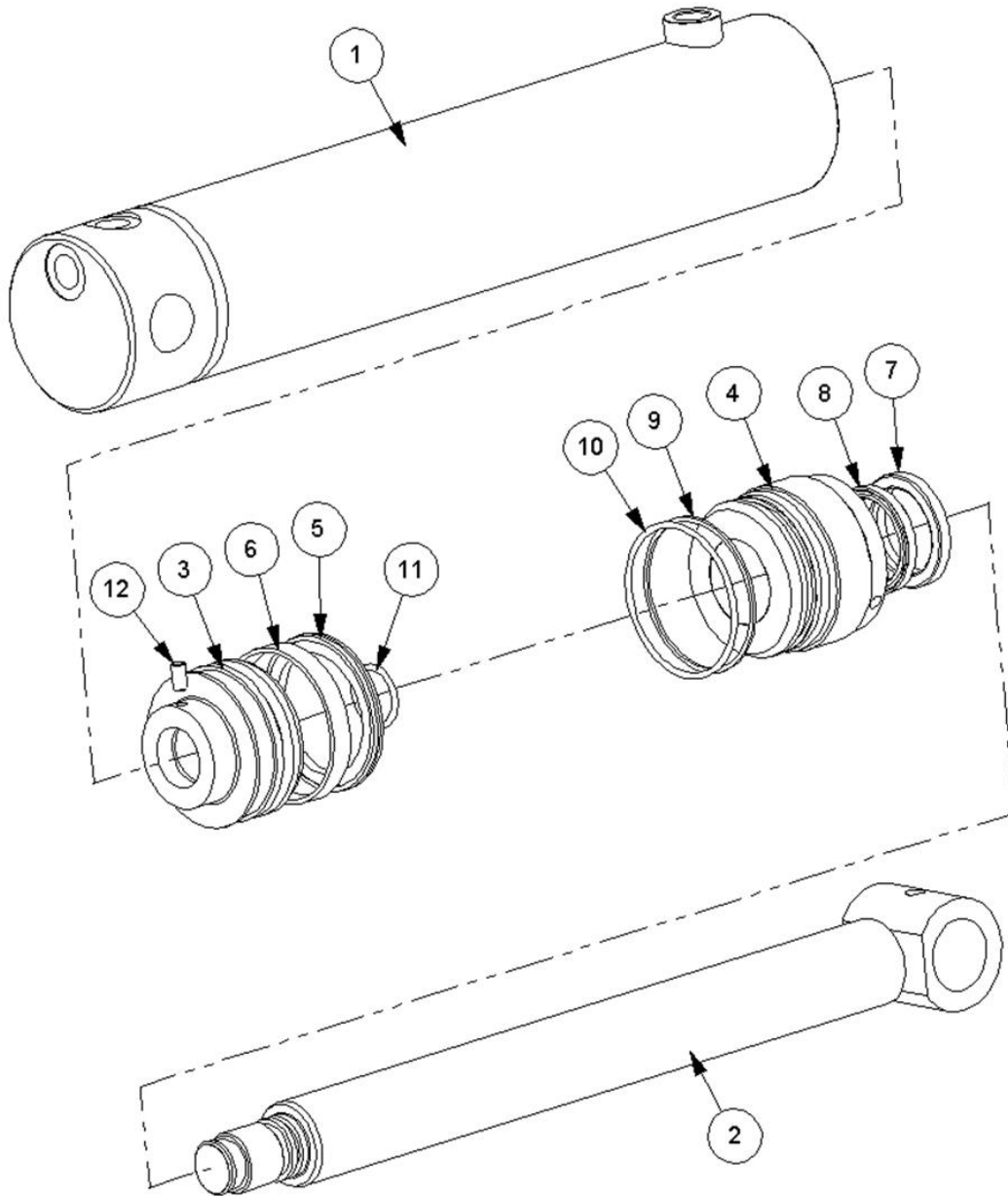
Ref	Part No	Description	QTY
14	02.714.10	ADAPTOR	1
15	520560	ADAPTOR	1
16	8650108	SEAL	1
17	8581378	ADAPTOR	1
18	05.124.01	ADAPTER	1

41014.12 - RAM



Ref	Part No	Description	QTY
1	41014.12AP	LIFT/REACH RAM	1
1	41014.12P	RAM -PAINTED	0
1	8699228	SEAL KIT	0
13	8130048	RESTRICTOR	2
14	8003001	PLUG	1
15	8650103	SEAL	3
16	7105050	BUSH	1
17	0901121	GREASER	1
18	0901124	GREASER	1

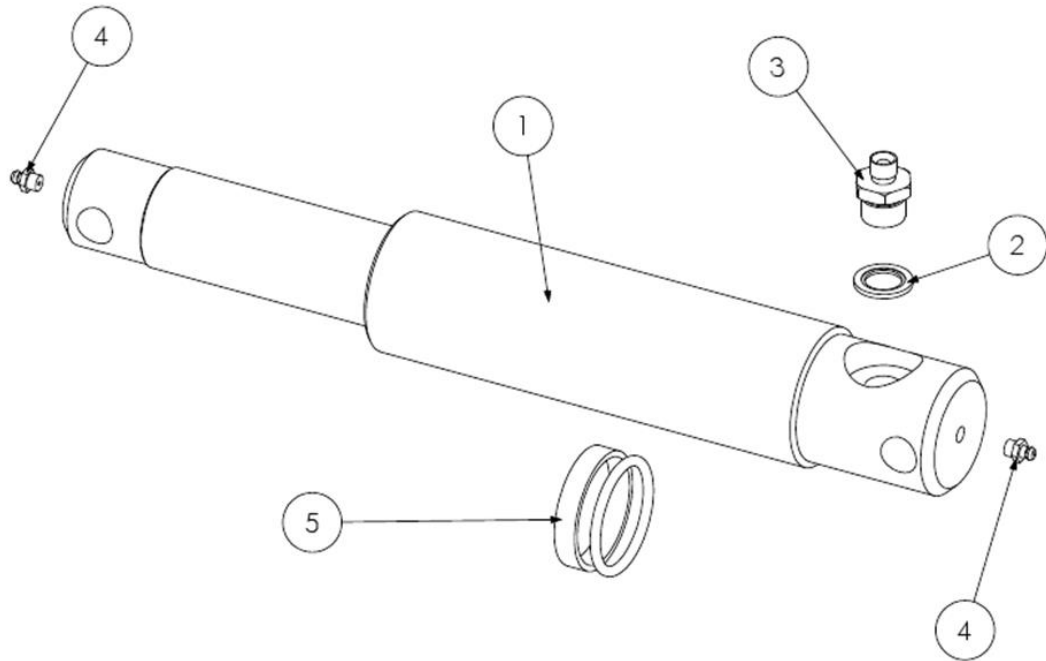
41014.12AP - LIFT/REACH RAM



Ref	Part No	Description	QTY
1	41034.03	BARREL	1
2	41035.03	RAM ROD	1
3	7120383	PISTON	1
4	7120384	HOUSING	1
5	8629189	SEAL	1
6	8629190	SEAL	1
7	8629147	SEAL	1
8	8629164	SEAL	1
9	8609429	ANTI.EXT.RING	1
10	8600429	"O" RING	1
11	8600403	"O" RING	1

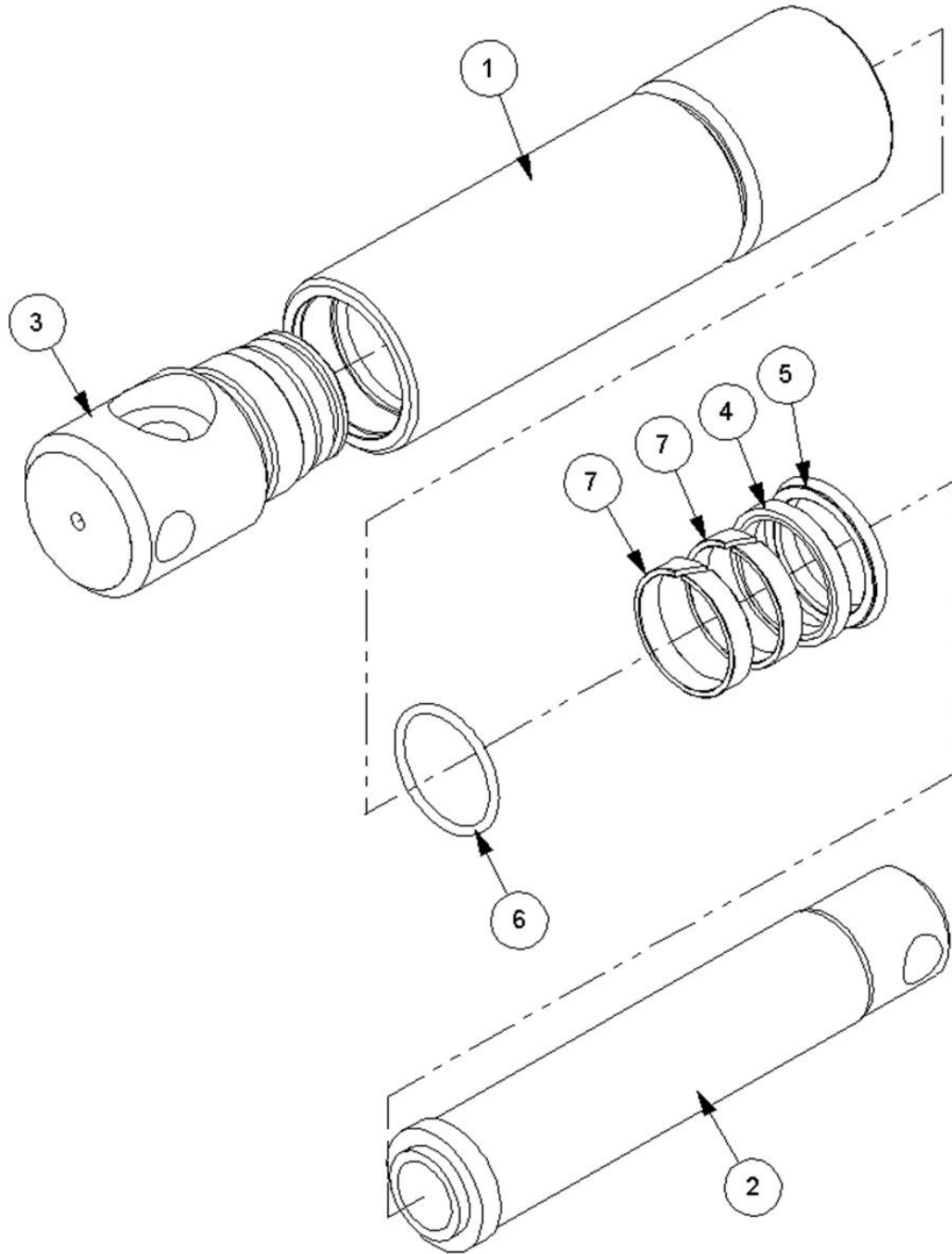
Ref	Part No	Description	QTY
12	9363023	SCREW	1

41322.02 - RAM



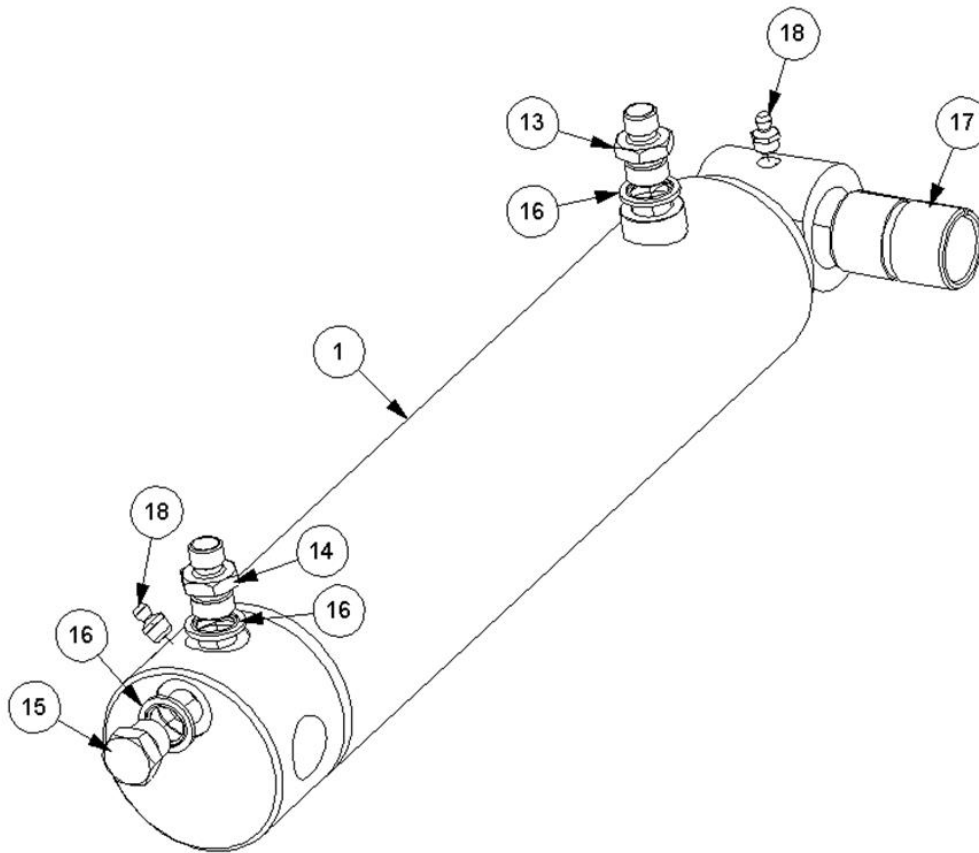
Ref	Part No	Description	QTY
1	7198292AP	RAM	1
1	7198292P	RAM -PAINTED	0
2	8650104	SEAL	1
3	8130083	BODY	1
4	8130189	VALVE	1
5	8116011	SPRING	1
6	0901121	GREASER	2

7198292AP - RAM



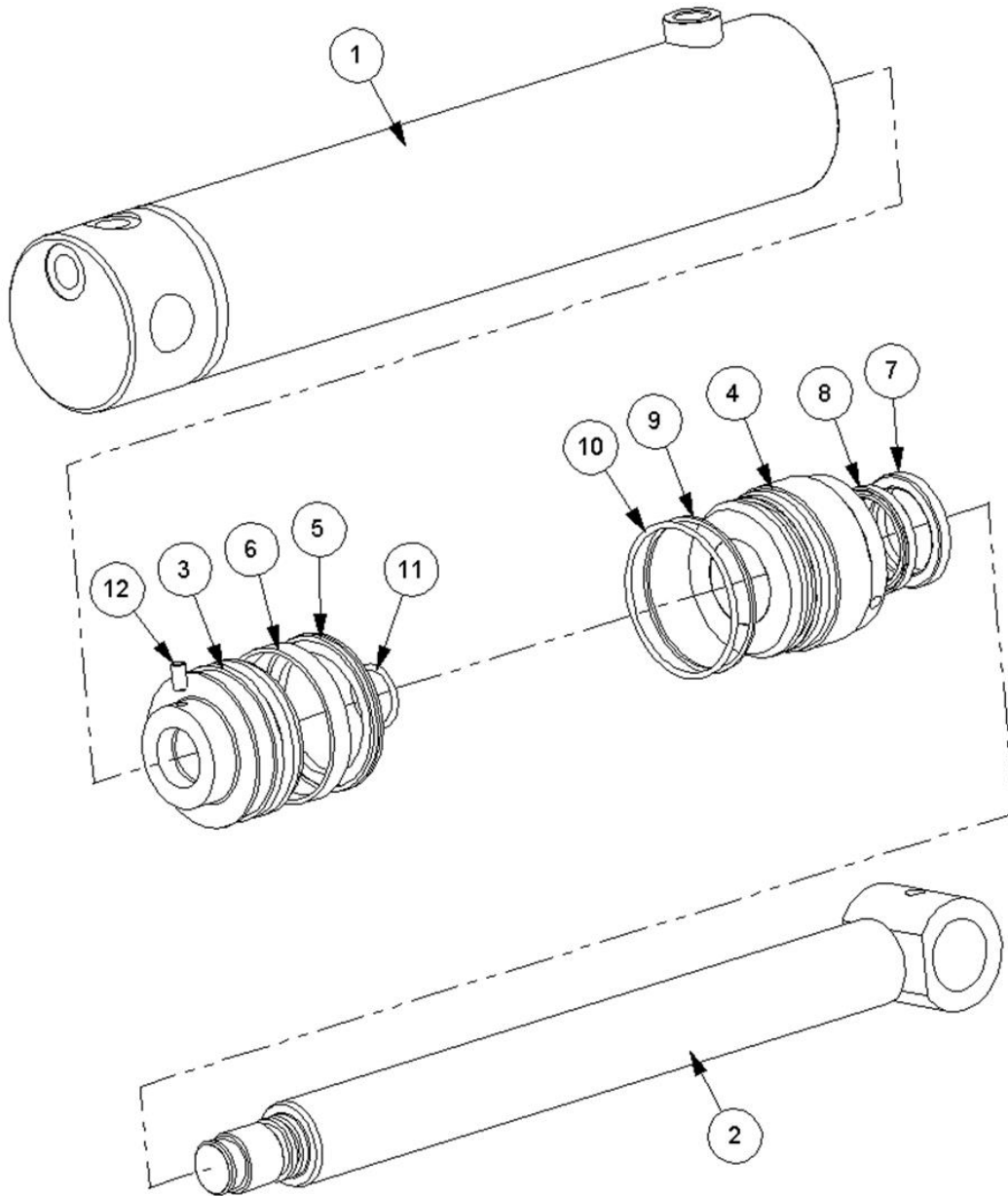
Ref	Part No	Description	QTY
1	7191051	PISTON ROD	1
2	7191051	PISTON ROD	1
3	7191299	PLUG	1
4	8629158	SEAL	1
5	8629152	SEAL	1
6	8600302	"O" RING	1
7	8629273	ROD BEARING	2

41014.13 - RAM



Ref	Part No	Description	QTY
1	41014.12AP	LIFT/REACH RAM	1
1	41014.12P	RAM -PAINTED	0
1	8699228	SEAL KIT	0
13	8130066	RESTRICTOR	1
14	8130046	RESTRICTOR	1
15	8003001	PLUG	1
16	8650103	SEAL	3
17	7105050	BUSH	1
18	0901121	GREASER	2

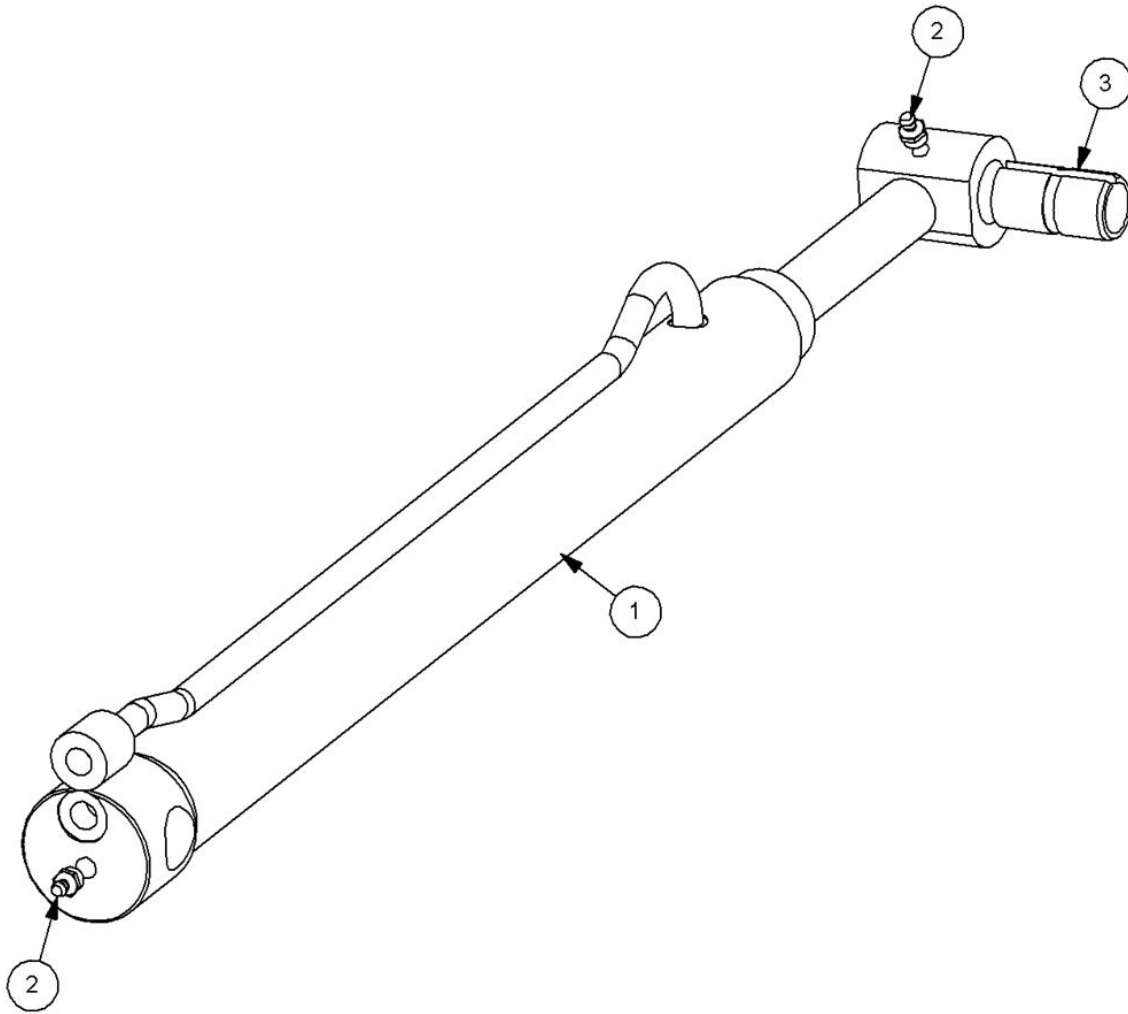
41014.12AP - LIFT/REACH RAM



Ref	Part No	Description	QTY
1	41034.03	BARREL	1
2	41035.03	RAM ROD	1
3	7120383	PISTON	1
4	7120384	HOUSING	1
5	8629189	SEAL	1
6	8629190	SEAL	1
7	8629147	SEAL	1
8	8629164	SEAL	1
9	8609429	ANTI.EXT.RING	1
10	8600429	"O" RING	1
11	8600403	"O" RING	1

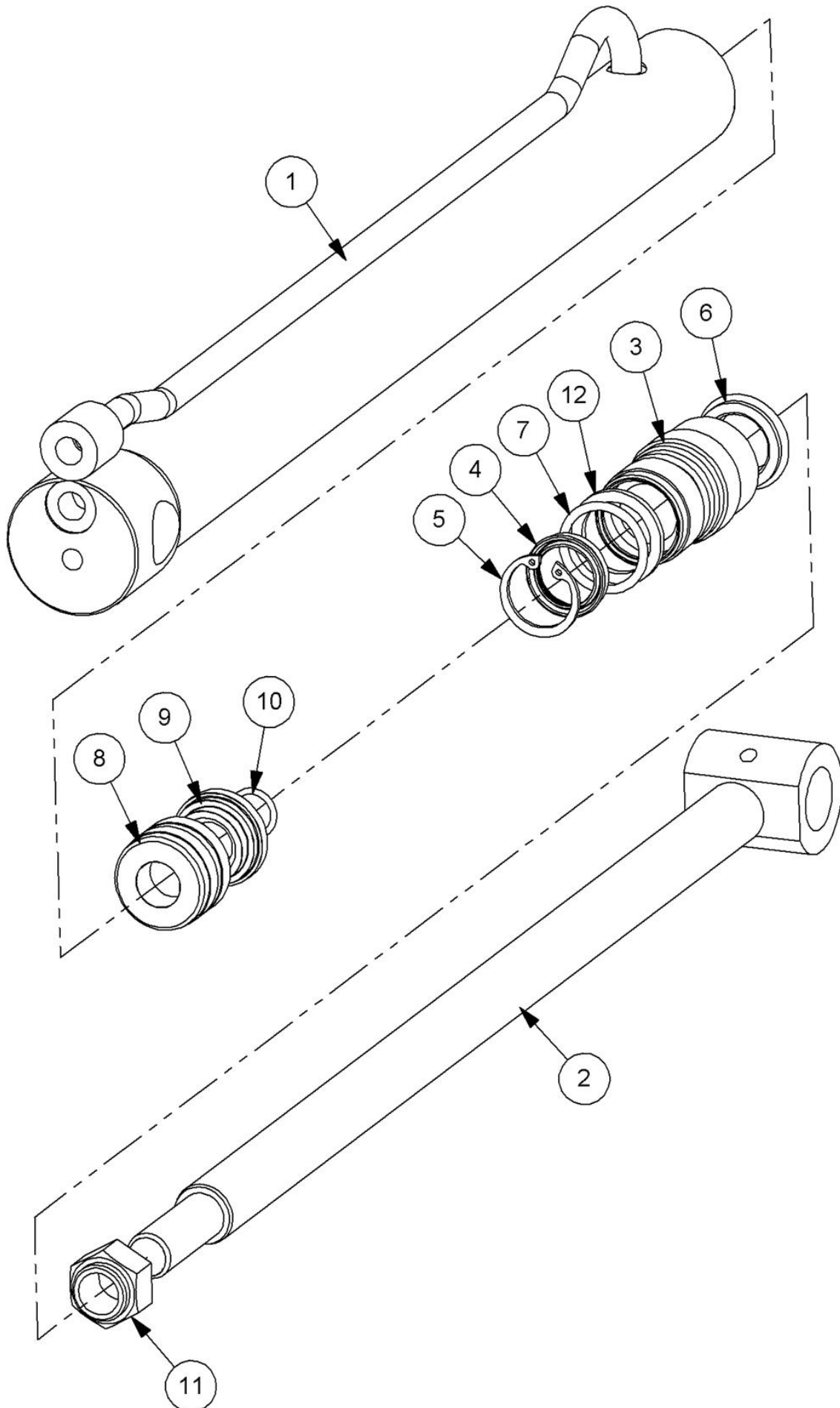
Ref	Part No	Description	QTY
12	9363023	SCREW	1

7191295 - RAM



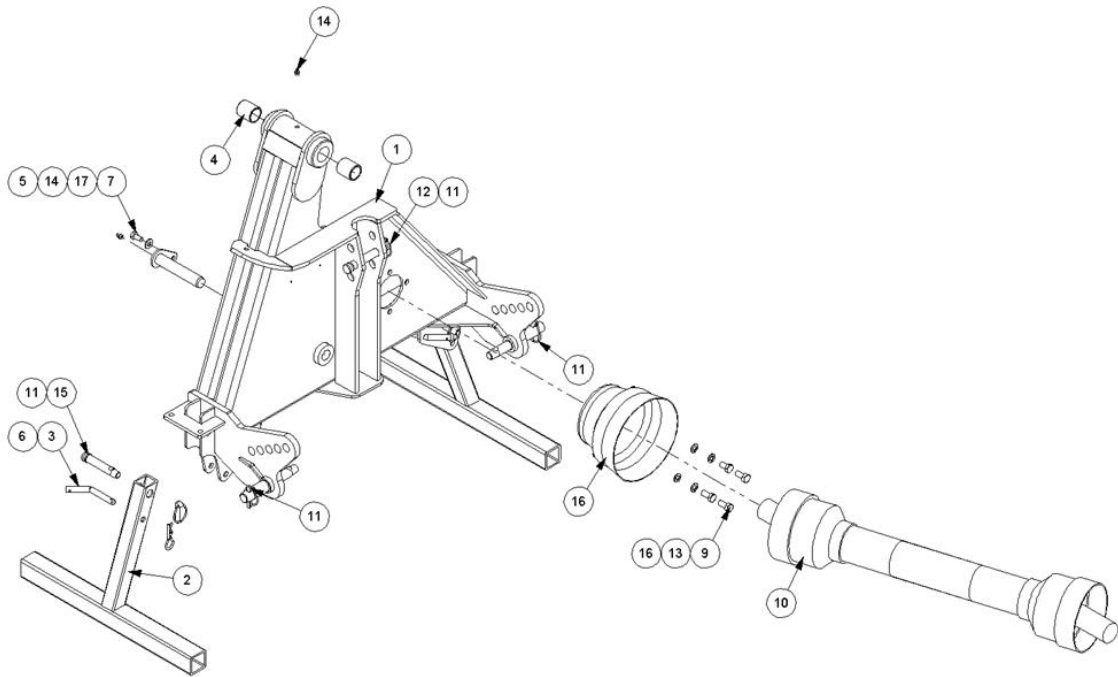
Ref	Part No	Description	QTY
1	7191295AP	RAM	1
1	7191295P	RAM -PAINTED	0
1	8699202	SEAL KIT	0
12	0901121	GREASER	2
13	1130002	BUSH	1

7191295AP - RAM



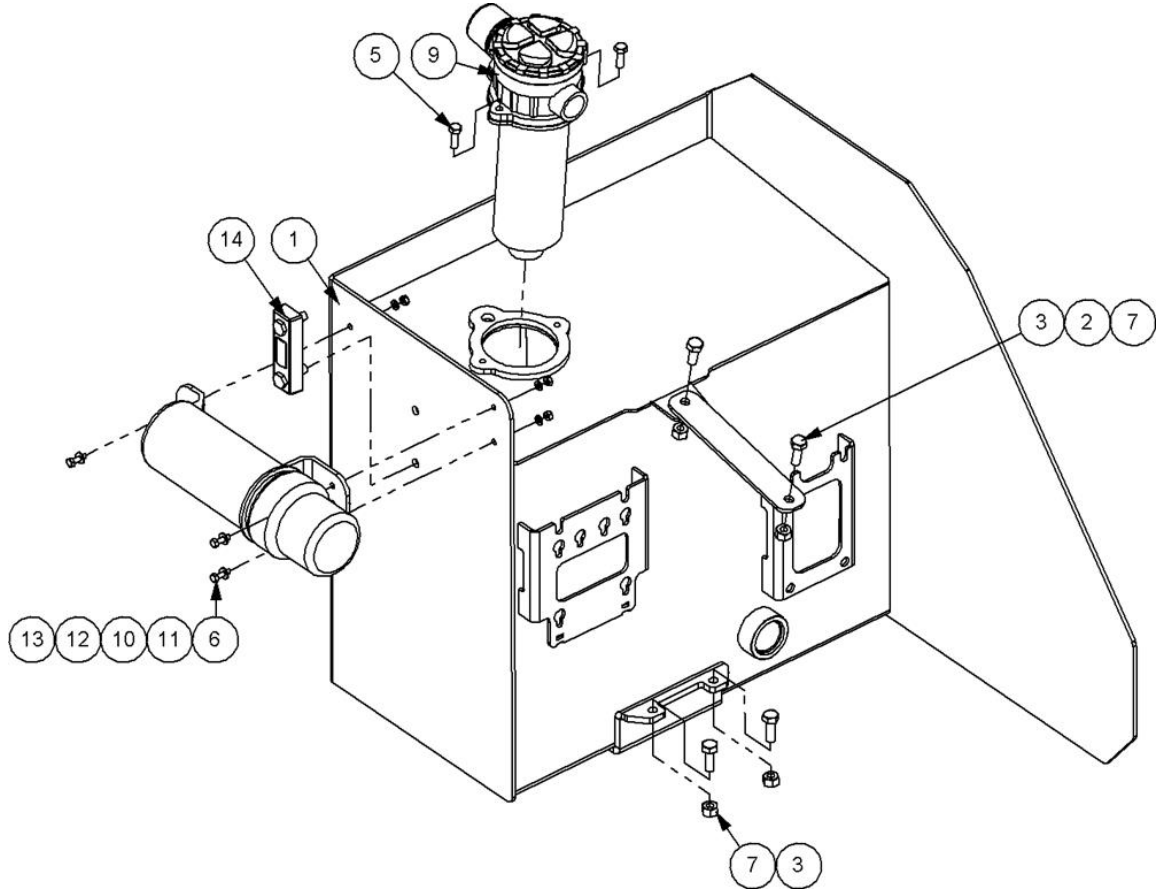
Ref	Part No	Description	QTY
1	7191296	BARREL	1
2	1090031	PISTON ROD	1
3	1090273	HOUSING	1
4	8629309	SEAL	1
5	0411234	CIRCLIP	1
6	8629161	SEAL	1
7	8600123	O RING	1
8	1090034	USE 1130034	2
9	8629160	SEAL	1
9	8629310	SEAL	1
11	0141007	NUT	1
12	8709345	RING	1

7434500 - MAIN FRAME MODULE



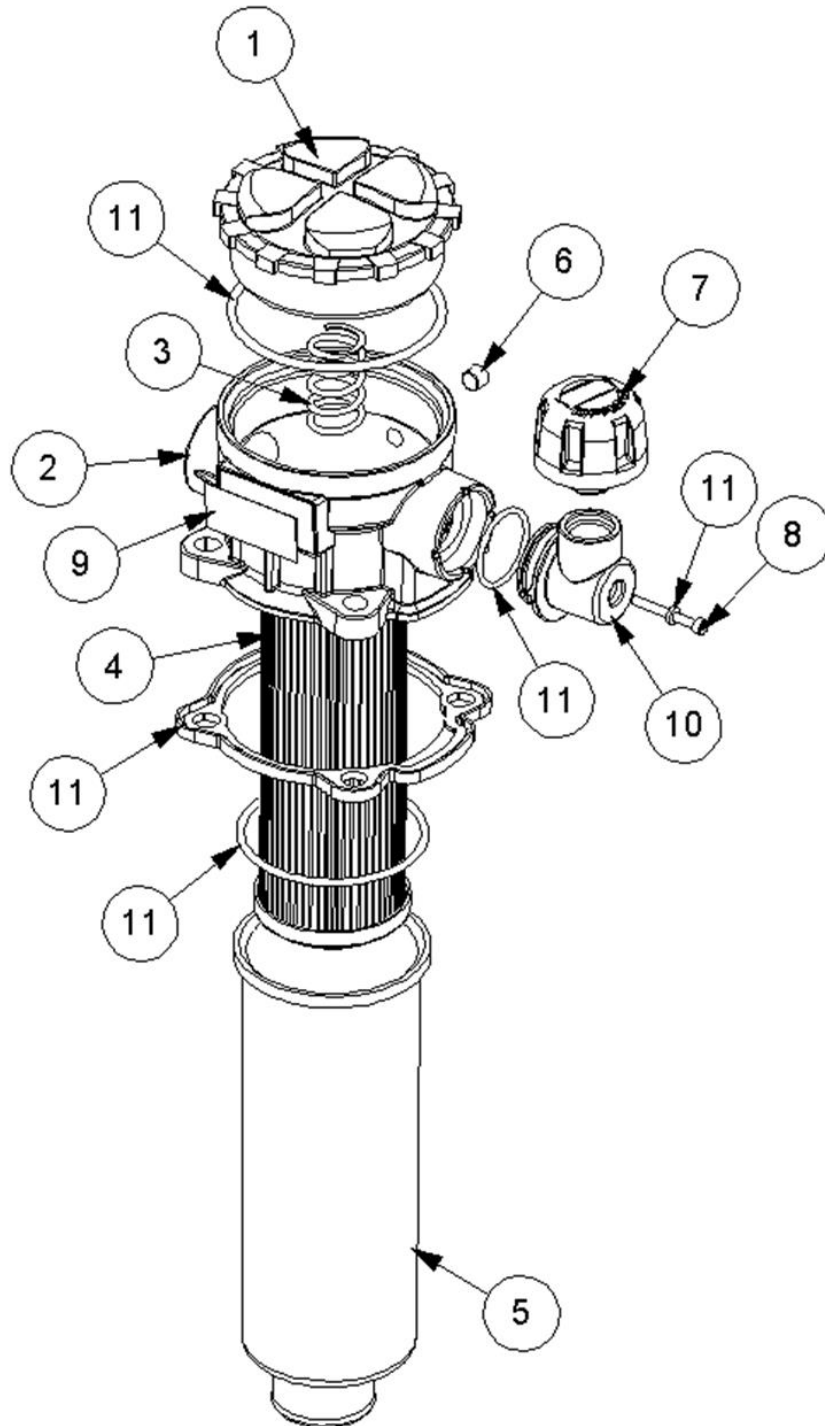
Ref	Part No	Description	QTY
1	22852.01	MAIN FRAME	1
2	41203.05	LEG	2
3	1090051	PIN	2
4	21149.01	BUSH	2
5	41267.15	PIN	1
6	0431105	PIN	2
7	9313045	SCREW	1
8	9313046	SCREW	1
9	9313056	SCREW	3
10	7114289	PTO SHAFT	1
11	0431217	LINCH PIN	5
12	6310202	PIN	1
13	9100206	WASHER	4
14	0901121	GREASER	2
15	T8117	PIN	2
16	42694.04	GUARD	1
17	9100205	WASHER	1

7434502 - TANK MODULE LH



Ref	Part No	Description	QTY
1	41196.12	TANK LH	1
2	41196.55	TANK STRAP	1
3	9313065	SCREW	3
4	9313055	SCREW	1
5	9343075	SCREW	4
6	9313043	SCREW	3
7	9163005	NUT	4
9	8401168	FILTER	1
10	46505.01	HOLDER	1
11	9100103	WASHER	3
13	9163003	NUT	3
14	08.921.01	FLUID LEVEL GAUGE	1
15	8650310	SEAL	4

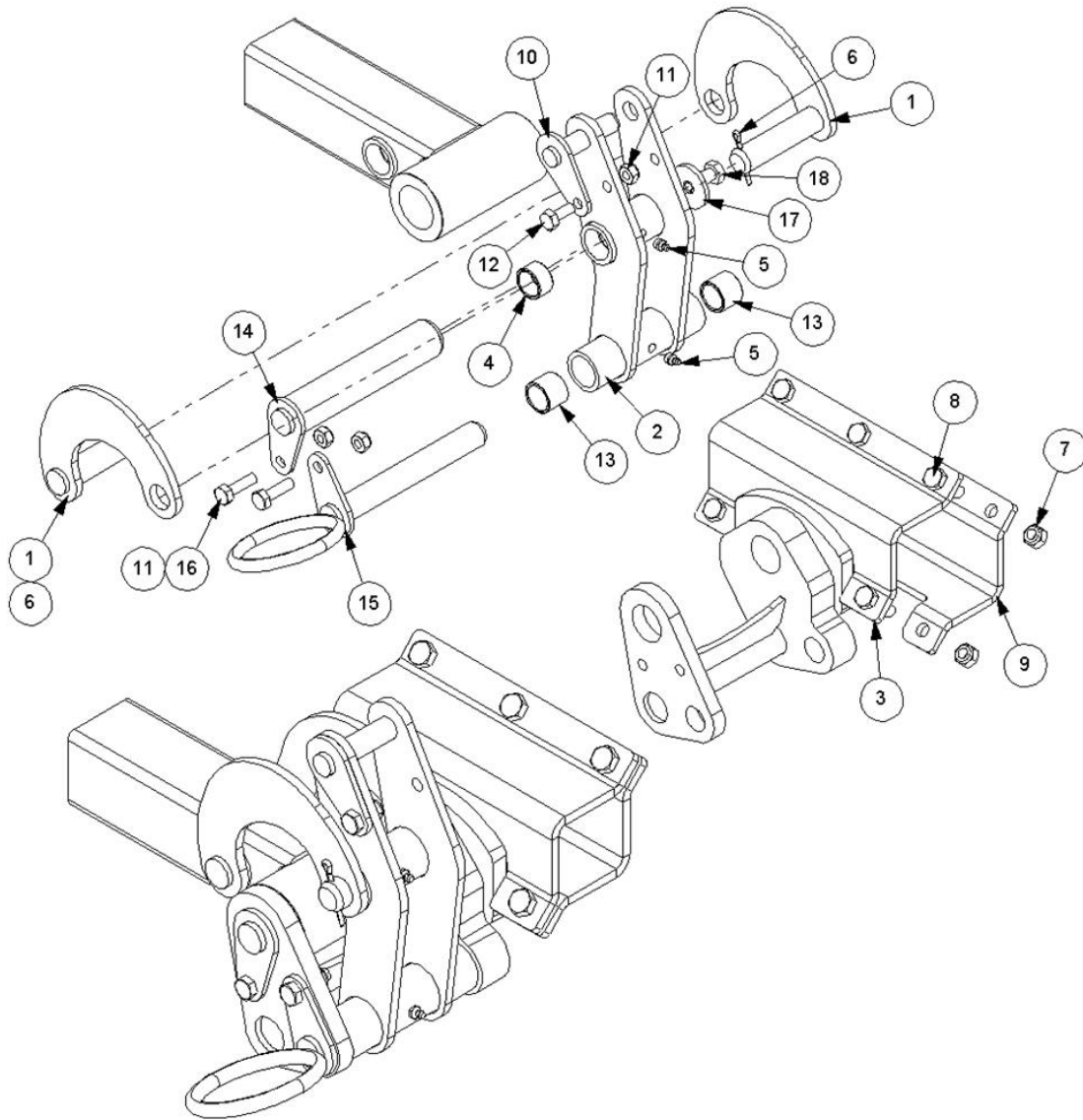
8401168 - FILTER



Ref	Part No	Description	QTY
1	212.013.04	FILLER CAP	1
2	8401187	HOUSING	1
3	8401158	FILTER SPRING	1
4	8401164	USE 8401095	1
5	8401165	FILTER BOWL	1

Ref	Part No	Description	QTY
6	8401166	FILTER GRUB SCREW	1
7	8401182	BREATHER CAP+FILTER	1
8	8401184	CAP SCREW	1
9	8401167	IDENTIFICATION PLATE	1
10	8401183	ELBOW	1
11	8699294	FILTER SEAL KIT	0

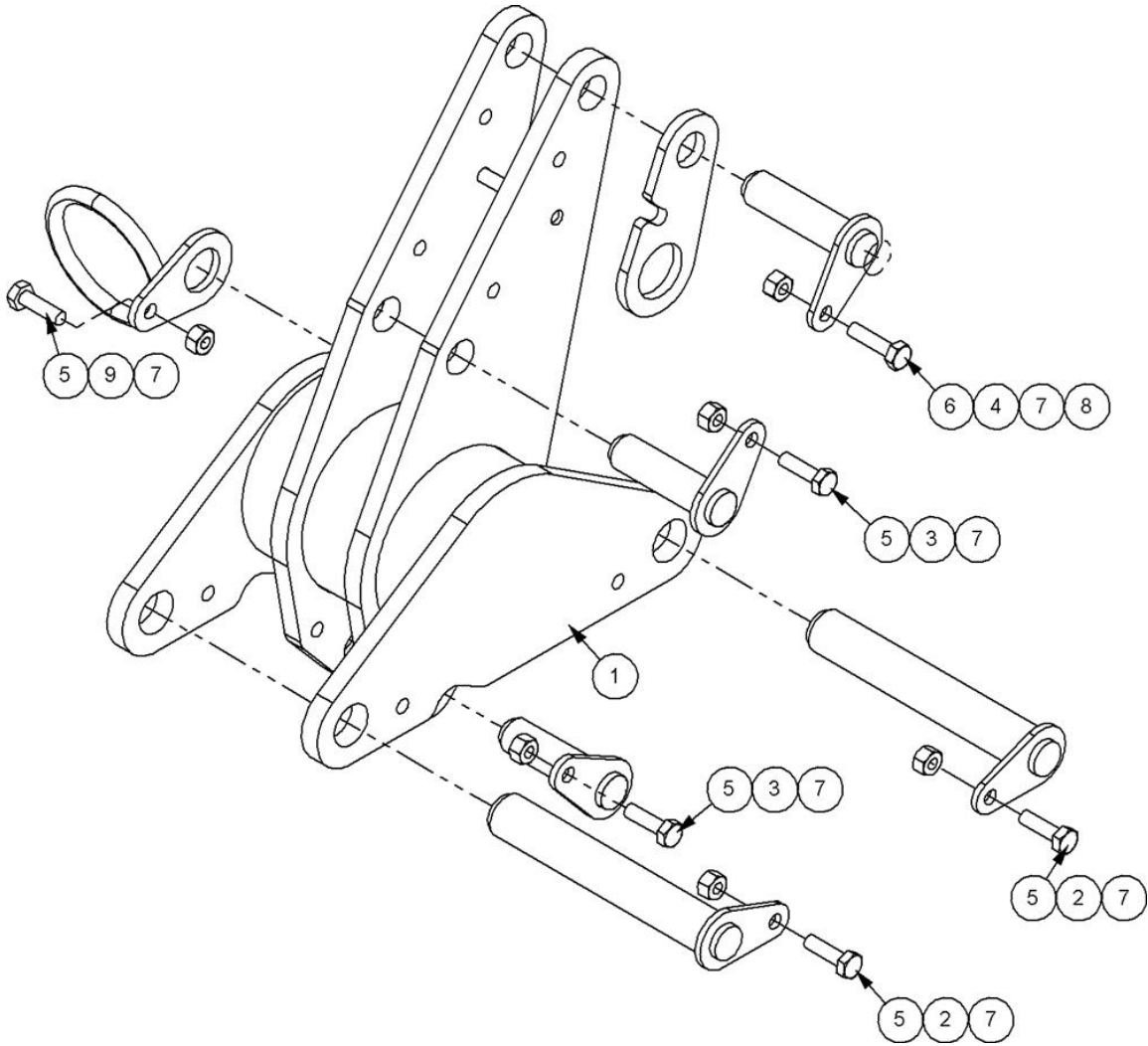
7434511 - ANGLING GEAR



Ref	Part No	Description	QTY
1	41206.02	RADIUS ARM TYPE 2	2
2	41207.03	SLAVE LINK	1
3	41261.15	BRACKET -RH	1
4	7214060	BUSH	2
5	0901121	GREASER	2
6	9501406	PIN	2
7	9163006	NUT	5
8	9313086	SCREW	5
9	21873.01	PLATE	1
10	41270.01	PIN	1
11	9163005	NUT	3
12	9313055	SCREW	1
13	41690.01	BUSH	2

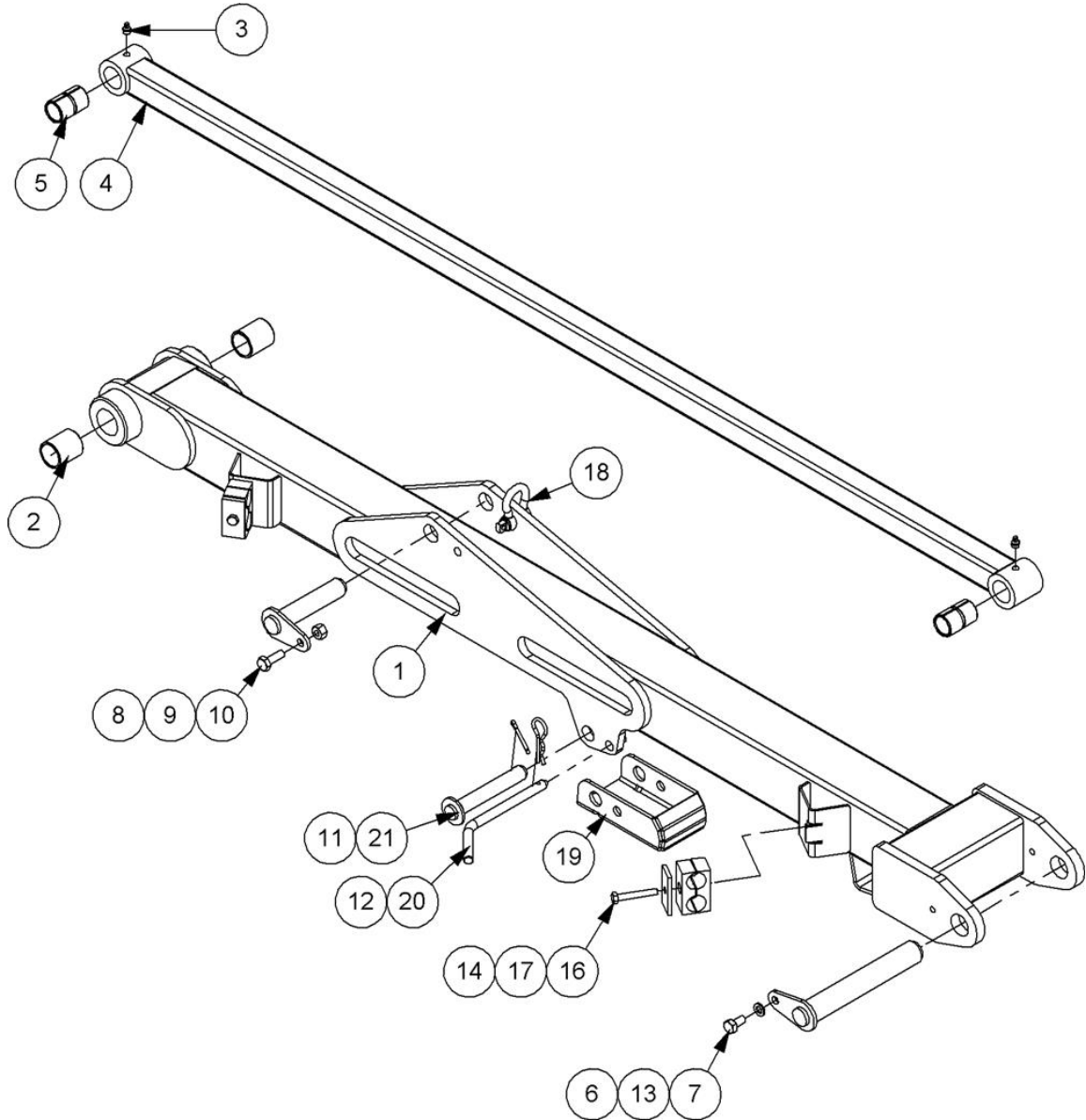
Ref	Part No	Description	QTY
14	21971.02	PIN	1
15	21970.02	PIN	1
16	9313075	SCREW	2
17	05.234.01	WASHER	1
18	9300149	SCREW	1

7434514 - ROCKER MODULE



Ref	Part No	Description	QTY
1	41198.08	ROCKER	1
2	41268.02	PIN	2
3	41267.09	PIN	2
4	41267.03	PIN	1
5	9313075	SCREW	5
6	9313085	SCREW	1
7	9163005	NUT	6
8	22667.02	SLINGING EYE	1
9	43158.02	LOOP	1

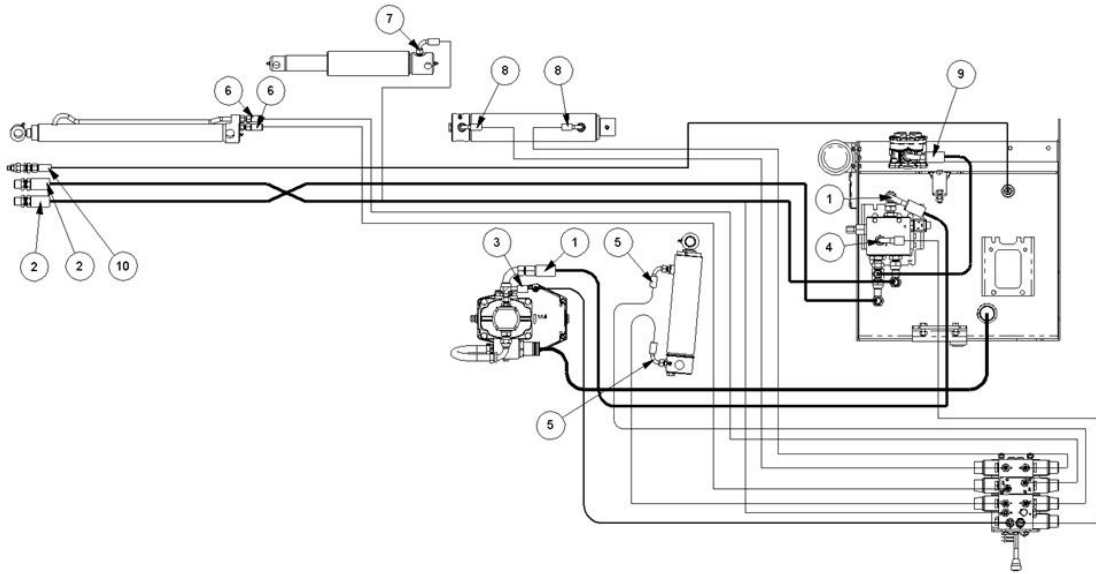
7434520 - MAIN ARM MODULE



Ref	Part No	Description	QTY
1	41199.12	W/ASSY MAIN ARM	1
2	21149.01	BUSH	2
3	0901121	GREASER	3
4	22887.02	TENSION LINK W/ASSY	1
5	7105050	BUSH	2
6	41268.02	PIN	1
7	9313045	SCREW	1
8	9163005	NUT	1
9	41691.04	PIN	1
10	9313065	SCREW	1
11	9501326	PIN	1
12	0431105	PIN	1
13	9100205	WASHER	1

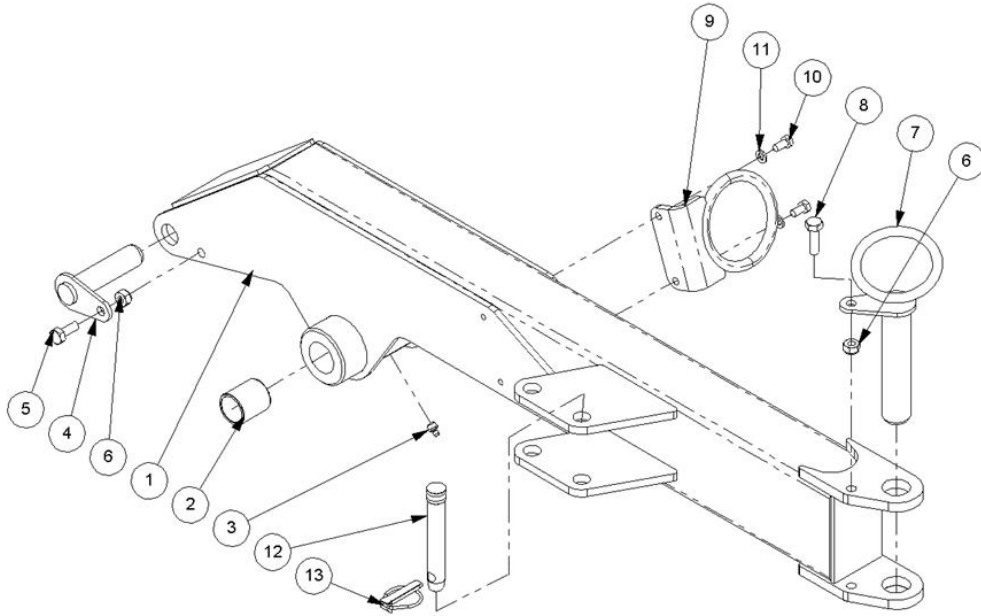
Ref	Part No	Description	QTY
14	06.430.09	CLAMP PAIR	2
15	9163004	NUT	2
16	9213114	BOLT	2
17	06.418.03	PLATE	2
18	22668.02	SHACKLE	1
19	41199.60	TRANSPORT PROP	1
20	45297.02	PIN	1
21	43114.02	PIN	1

743452231 - HOSE KIT (REV B)

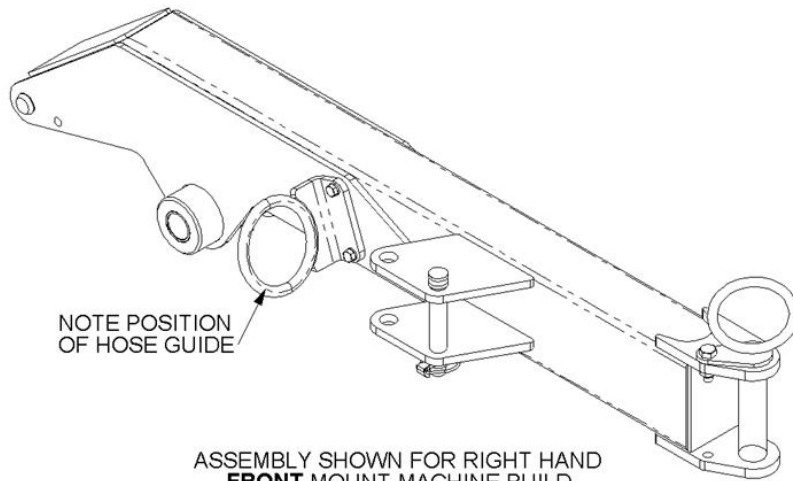


Ref	Part No	Description	QTY
1	10.008.16	HOSE	1
2	10.081.54	HOSE	2
3	10.004.13	HOSE	1
4	10.006.12	HOSE	1
5	10.002.19	HOSE	2
6	10.001.52	HOSE	2
7	10.002.52	HOSE	1
8	10.002.31	HOSE	2
9	10.008.14	HOSE	1
10	10.003.52	HOSE	1

7434529 - DIPPER MODULE



ASSEMBLY SHOWN FOR RIGHT HAND
REAR MOUNT MACHINE BUILD

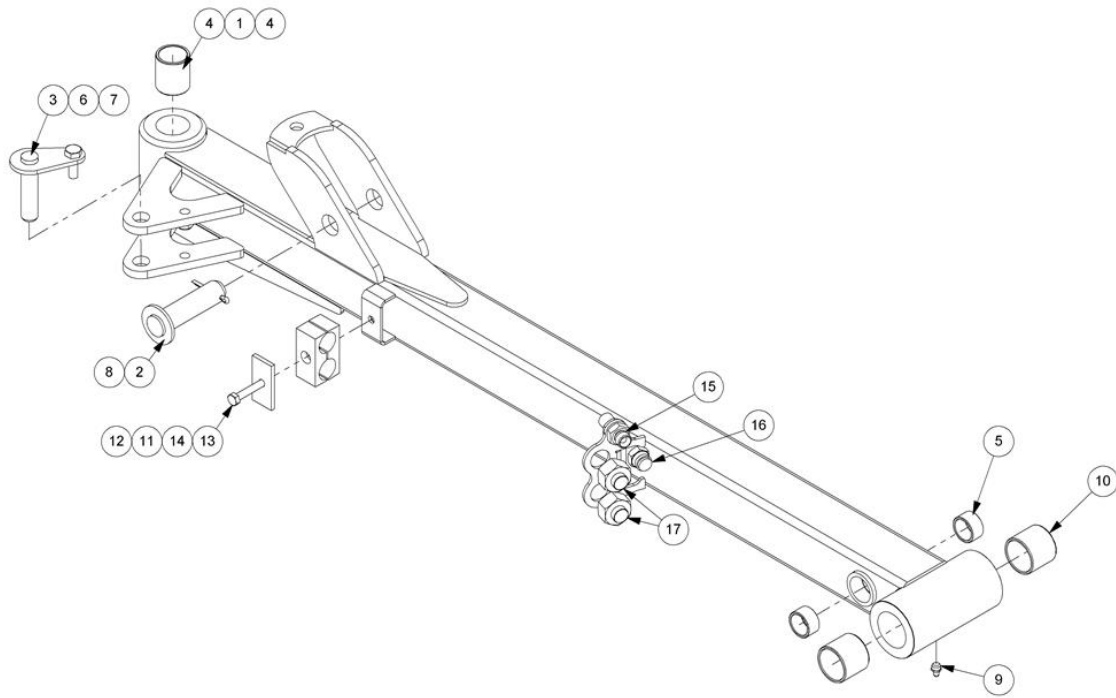


ASSEMBLY SHOWN FOR RIGHT HAND
FRONT MOUNT MACHINE BUILD

Ref	Part No	Description	QTY
1	41201.10	ARM -RH	1
2	21149.01	BUSH	2
3	0901121	GREASER	1
4	41267.05	PIN	1
5	9313055	SCREW	1
6	9163005	NUT	2
7	41269.01	PIN	1

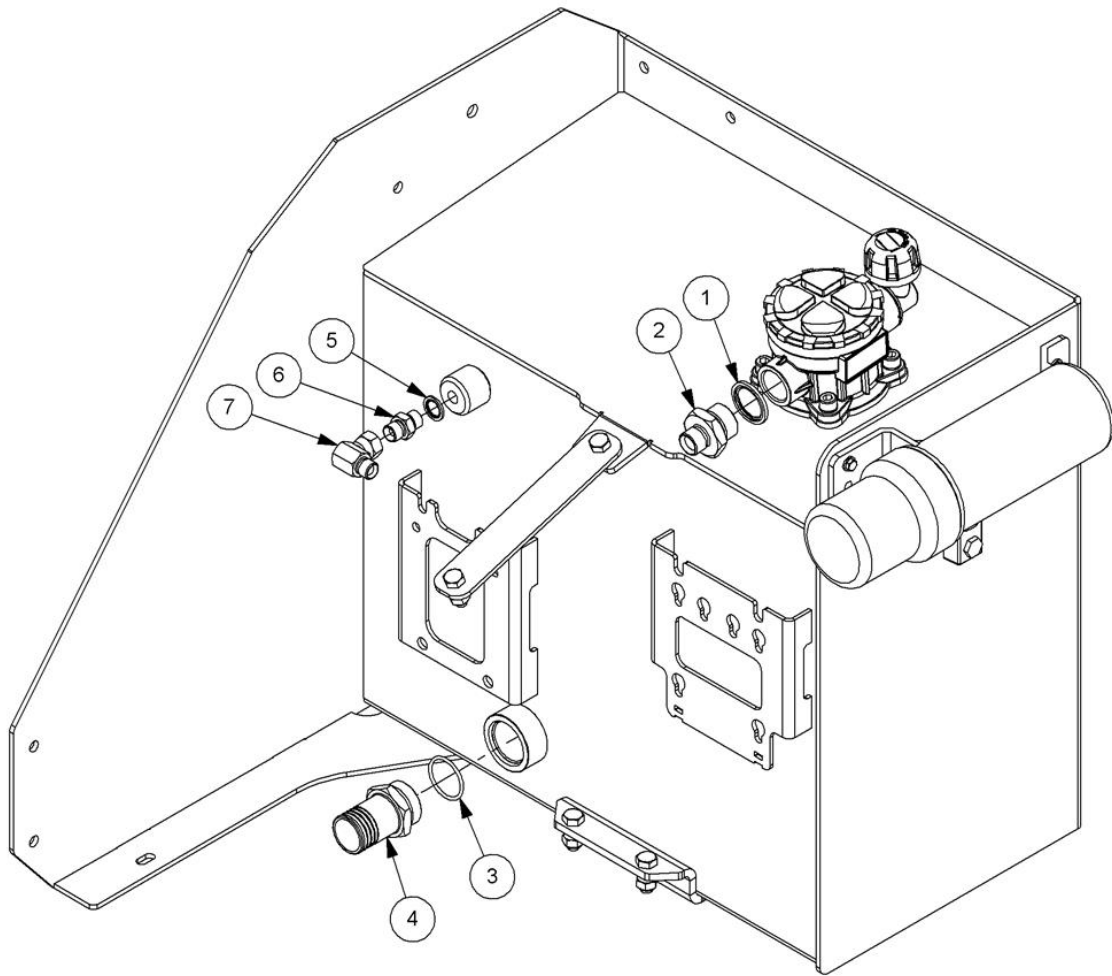
Ref	Part No	Description	QTY
8	9313075	SCREW	1
9	21844.02	HOSE LOOP	1
10	9313044	SCREW	2
11	9100204	WASHER	2
12	6310202	PIN	1
13	0431217	LINCH PIN	1

7434533 - MODULE DIPPER RH



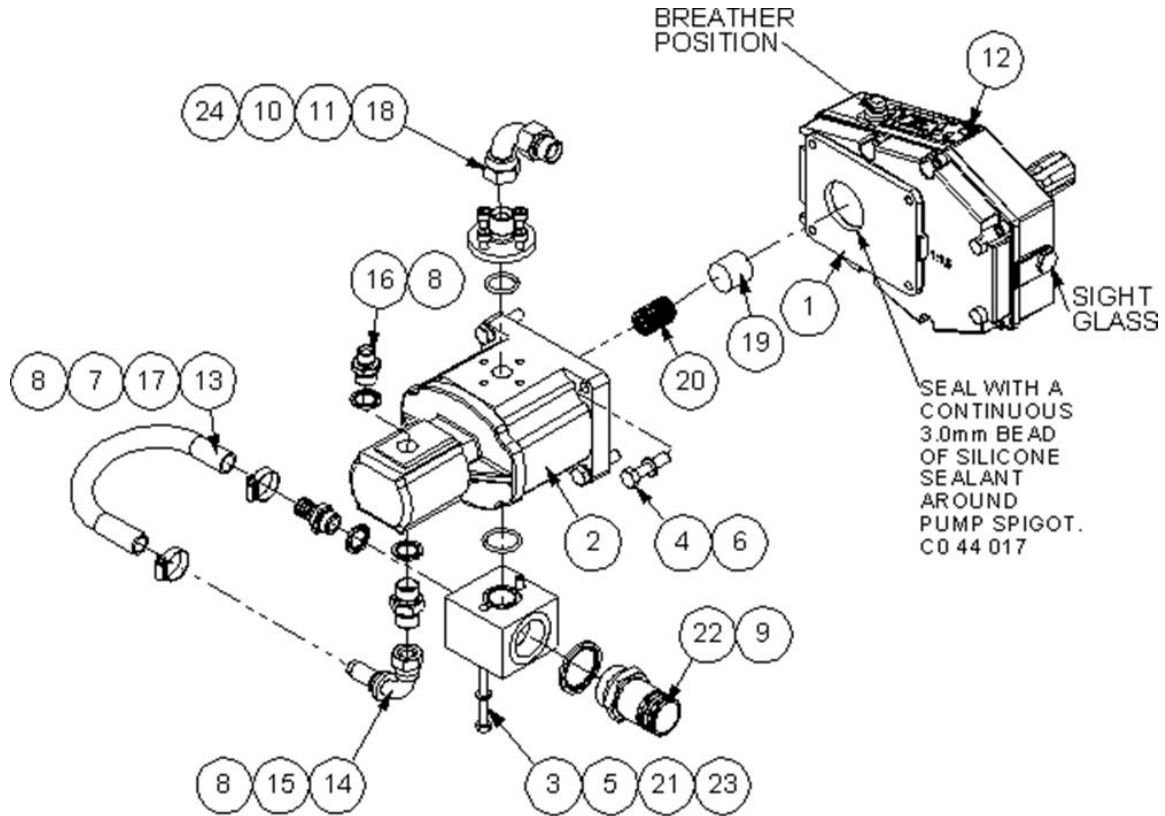
Ref	Part No	Description	QTY
1	41202.06	USE 41202.06Y OR.06B	1
2	7191041	PIN	1
3	41270.01	PIN	1
4	21149.01	BUSH	2
5	7214060	BUSH	2
6	9313065	SCREW	1
7	9163005	NUT	1
8	9501406	PIN	1
9	0901121	GREASER	3
10	7213023	BUSH	2
11	06.430.09	CLAMP PAIR	1
12	9163004	NUT	1
13	9213114	BOLT	1
14	06.418.03	PLATE	1
15	T8072	ADAPTOR	1
16	05.433.04	ADAPTOR	1
17	G3812119	ADAPTOR	2

7434540 - TANK FITTINGS



Ref	Part No	Description	QTY
1	8650108	SEAL	1
2	8581378	ADAPTOR	1
3	8700784	"O" RING	1
4	8581260	ADAPTOR	1
5	8650103	SEAL	1
6	6000113	ADAPTOR	1
7	8581117	CONNECTOR	1

7434547 - PUMP AND GEARBOX



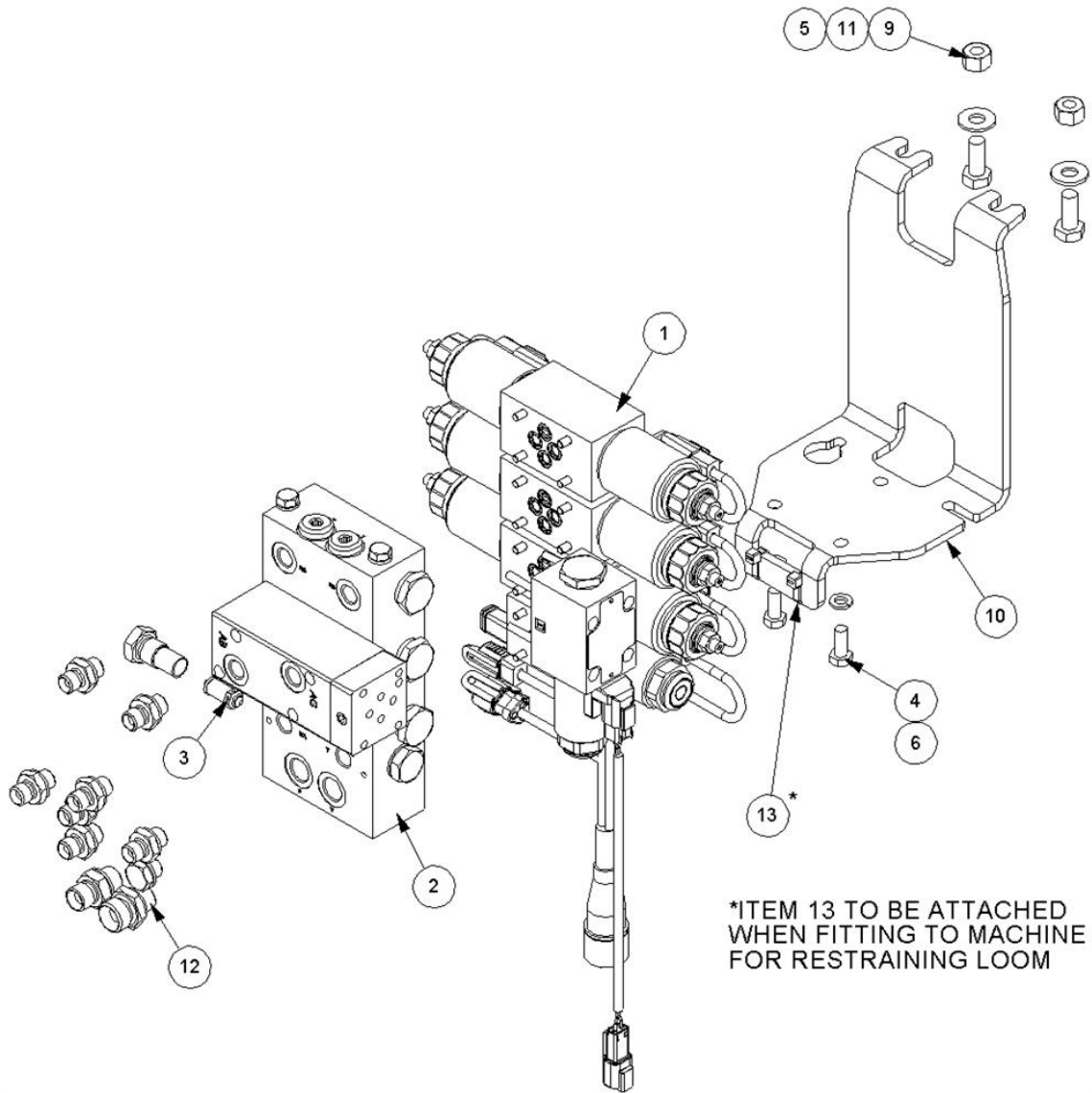
GEARBOX NOTES:-
OIL REQUIREMENT
0.80 LITERS - MORRIS FS 75W90

SEALANTS
TAPER PLUGS. LOCTITE 575
COVER PLATE. LOCTITE 574 FLANGE SEALANT.

Ref	Part No	Description	QTY
1	8013443	Gearbox 1: 2,6	1
1	8501010	5/8" RUBBER HOSE 250LG	1
2	8201693	HYD PUMP	1
3	9213144	BOLT	2
4	9213095	BOLT	4
5	9100204	WASHER	2
6	9100205	WASHER	4
7	8002059	CONNECTION	1
8	8650104	SEAL	3
9	8650109	SEAL	1
10	8013083	CONNECTION	1
11	9300147	SCREW	4
12	1290030	DECAL	1
14	8581173	ELBOW	1
15	G3812120	ADAPTOR	1
16	6000112	ADAPTOR	1
17	0904204	CLIP	2

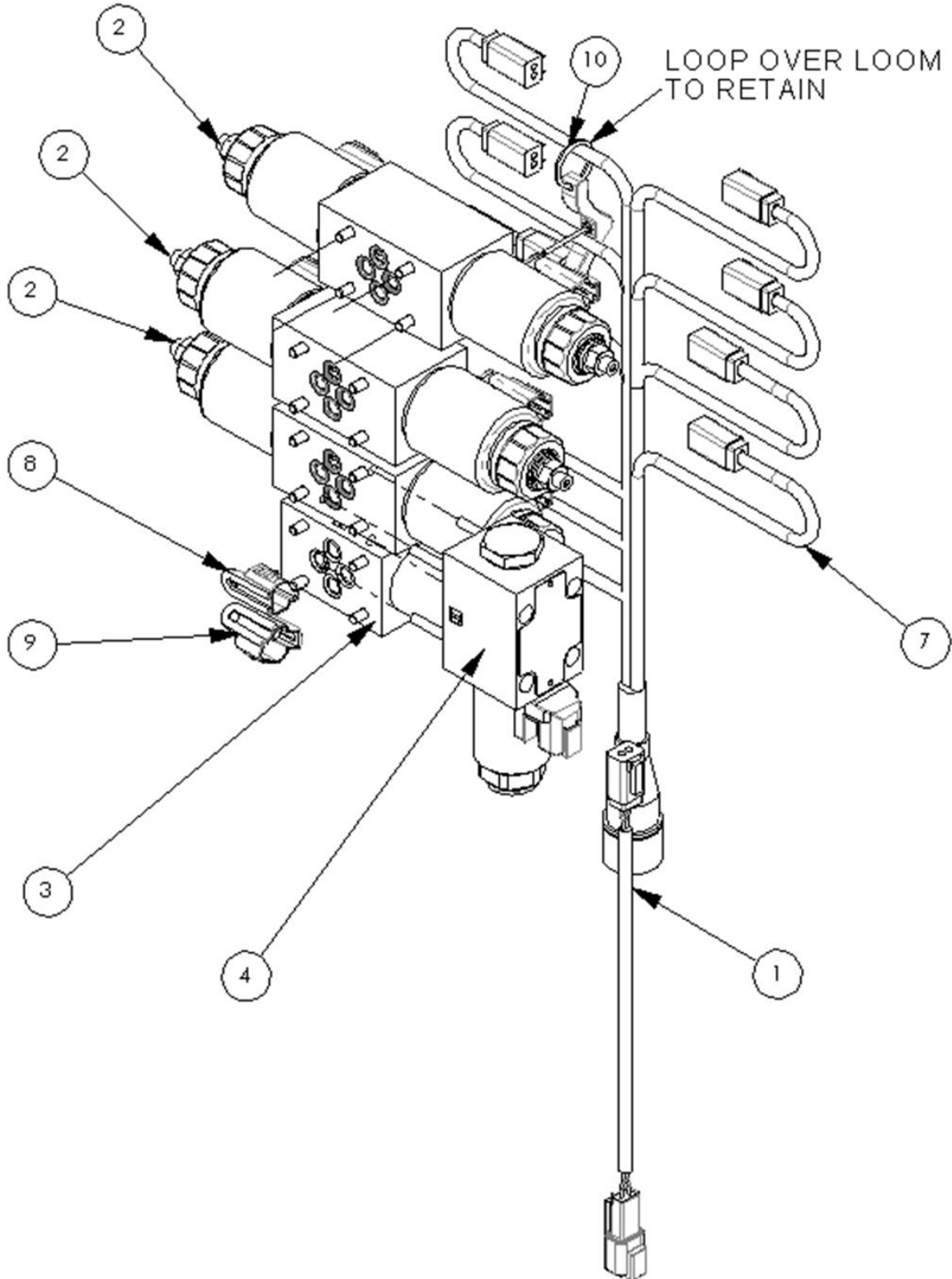
Ref	Part No	Description	QTY
18	8581565	ADAPTOR	1
19	42415.02	SPACER	1
20	8013097	ADAPTOR	1
21	8581577	BLOCK	1
22	8581260	ADAPTOR	1
23	8600122	"O" RING	1
24	8600119	"O" RING	1

7434557 - ACV ASSY



Ref	Part No	Description	QTY
1	22525.57	SOLENOID	1
2	22523.20	MANIFOLD ASSY	1
3	8130029	VALVE	1
4	9313044	SCREW	4
5	9313055	SCREW	2
6	9100204	WASHER	4
9	9163005	NUT	2
10	41196.57	VALVE MTG PLATE	1
11	9100105	WASHER	2
12	22524.48	ADAPTOR KIT	1
13	22342.01	CABLE TIE	2

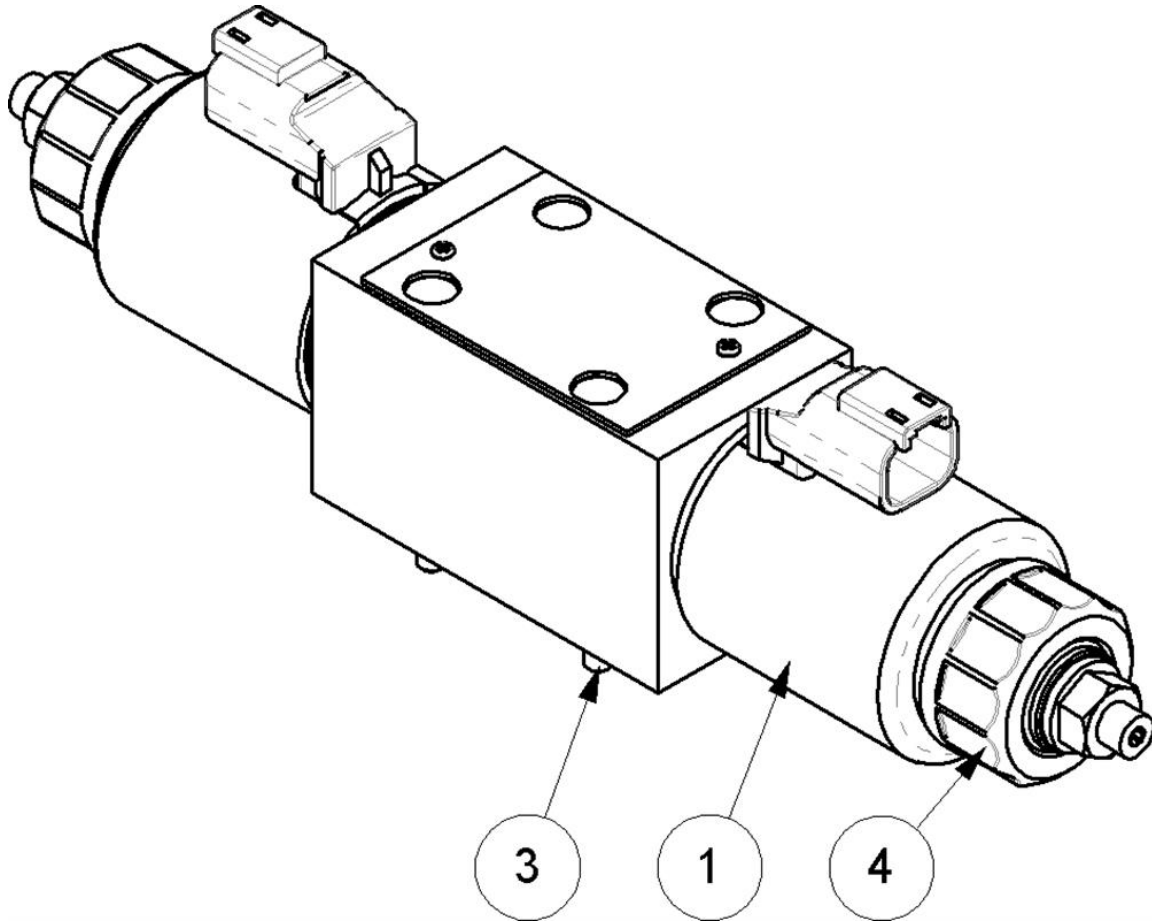
22525.57 - SOLENOID



Ref	Part No	Description	QTY
1	41844.34	LOOM ANGLE FLOAT DT CONNECTOR	1
2	23550.11	PROP DCV	3
3	23550.13	VALVE	1
4	23550.15	DCV	1
7	41844.27	LOOM 14 CORE 19WAY PLUG DT	1
8	45594.41	SEALING CAP	1

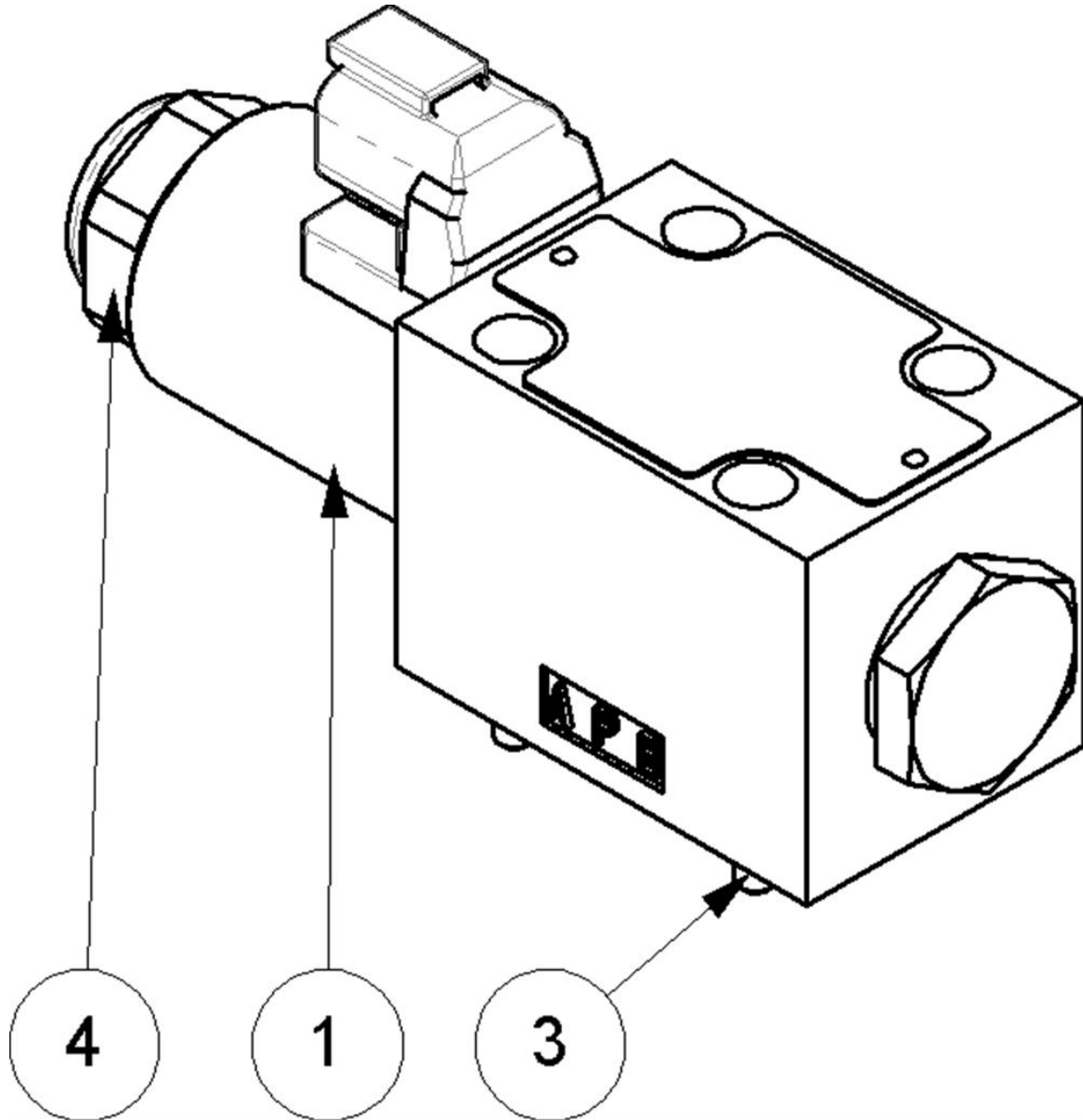
Ref	Part No	Description	QTY
9	45594.42	SEALING CAP	1
22	23550.18	TOOL - MANUAL SOL. OPERATION	1

23550.11 - PROP DCV



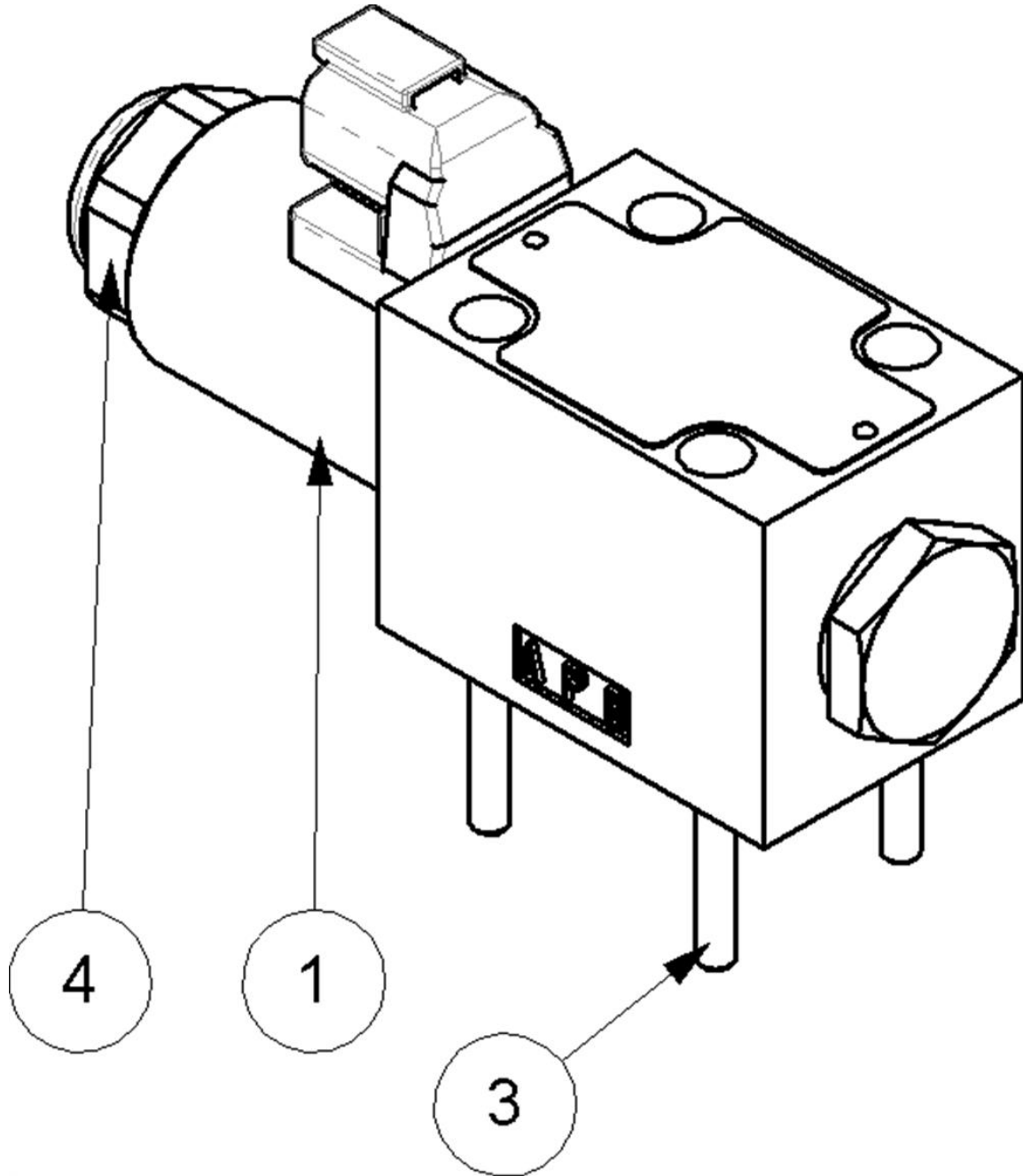
Ref	Part No	Description	QTY
1	23550.37	PROP COIL	2
2	23550.32	SEAL KIT	1
3	9200076	CAP SCREW	4
4	23550.35	COIL NUT	2

23550.13 - VALVE



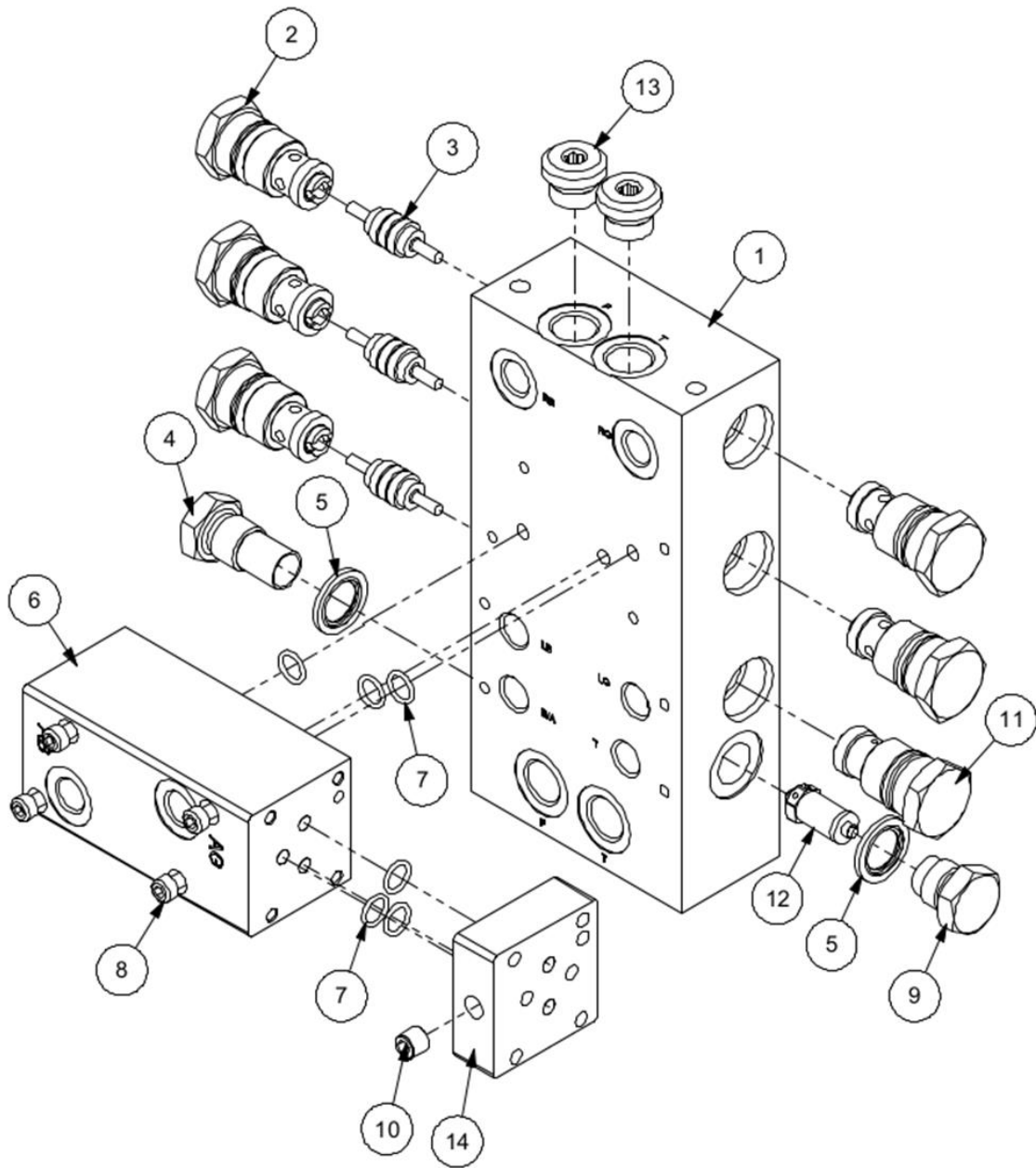
Ref	Part No	Description	QTY
1	23550.38	COIL	1
2	23550.34	SEAL KIT	1
3	9200077	CAP SCREW	4
4	23550.36	COIL NUT	1

23550.15 - DCV



Ref	Part No	Description	QTY
1	23550.38	COIL	1
2	23550.34	SEAL KIT	1
3	9200078	CAP SCREW	4
4	23550.36	COIL NUT	1

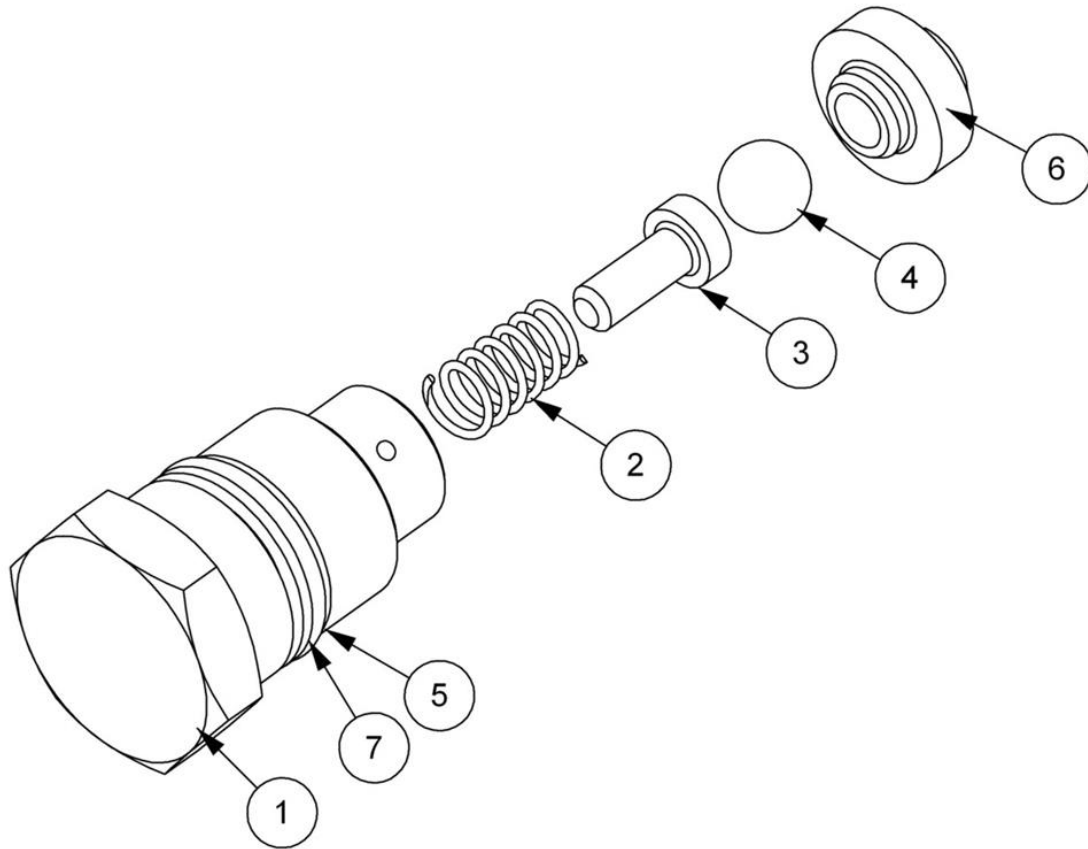
22523.20 - MANIFOLD ASSY



Ref	Part No	Description	QTY
1	8132309	MANIFOLD 3 BANK	1
2	8130090	VALVE	5
3	8130087	ACTUATOR	3
4	8130032	CAP	1
5	8650103	SEAL	2
6	8126333	BLOCK	1
7	8700511	"O" RING	6
8	9243082	SCREW	4
9	8130031	CAP	1
10	8582041	PLUG	2
11	8130354	VALVE	1
12	8130164	VALVE	1

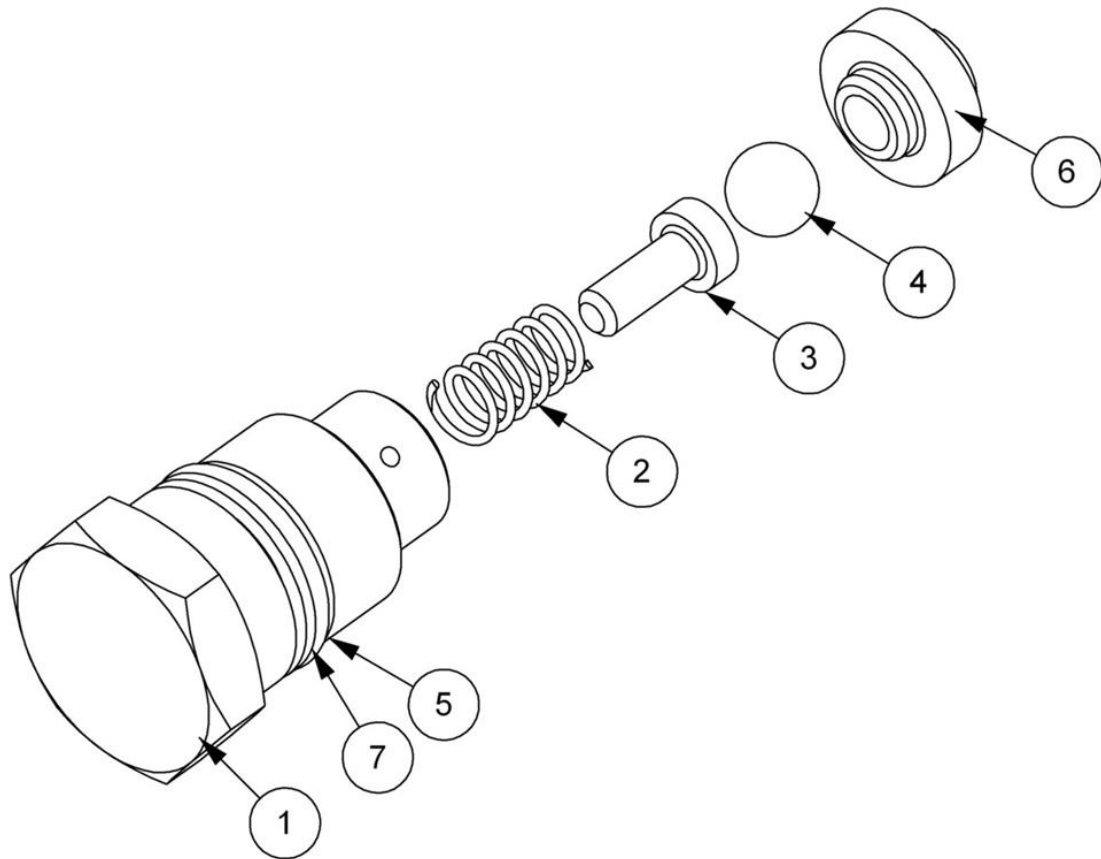
Ref	Part No	Description	QTY
13	8581436	ADAPTOR	2
14	8126334	PLATE	1

8130090 - VALVE



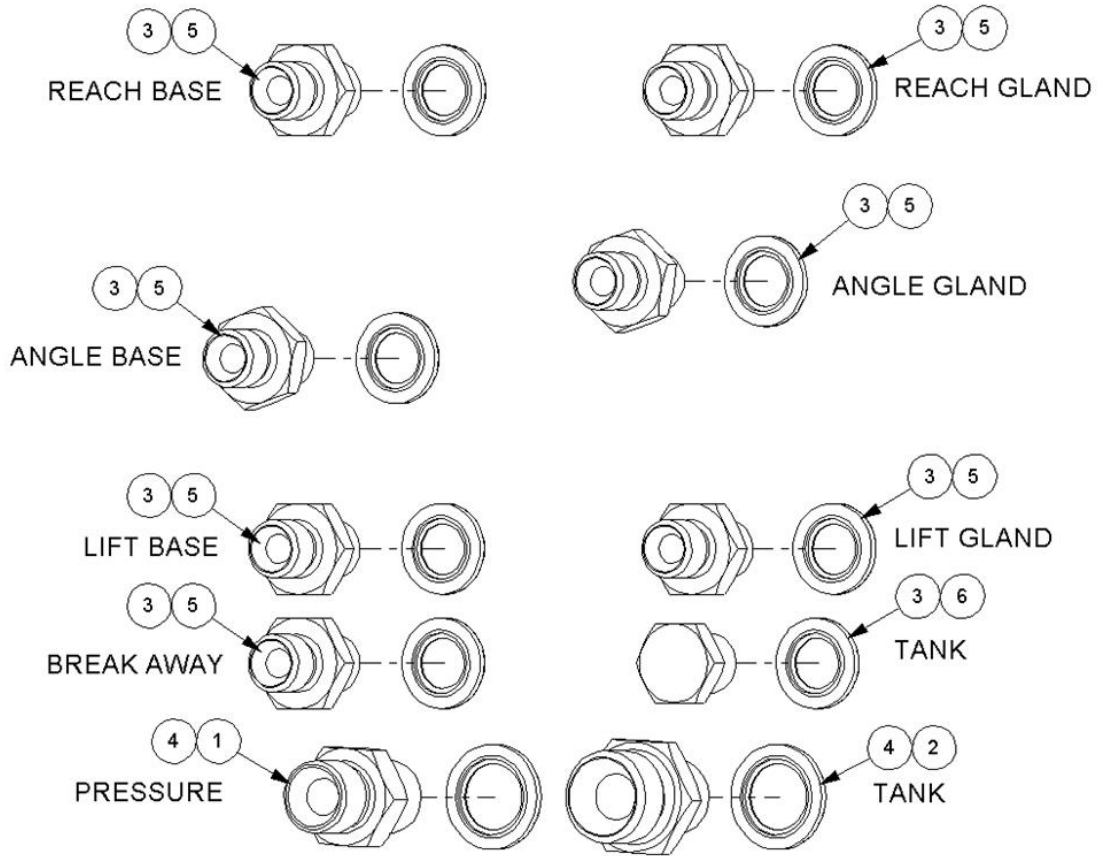
Ref	Part No	Description	QTY
1	8130025	CAP	1
2	8114045	SPRING	1
3	8130089	GUIDE	1
4	0905509	BALL	1
5	8700644	"O" RING	1
6	8130088	SEAT	1
7	8709644	ANTI.EXT.RING	1

8130354 - VALVE



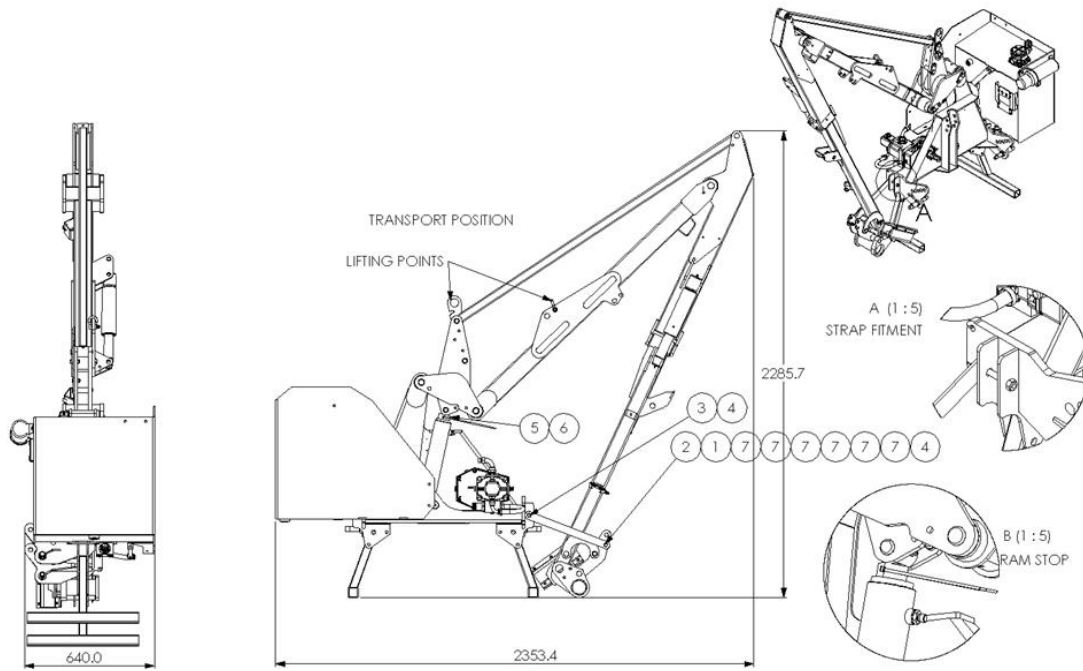
Ref	Part No	Description	QTY
1	8130209	CAP	1
2	8114045	SPRING	1
3	8130089	GUIDE	1
4	0905509	BALL	1
5	8700644	"O" RING	1
6	8130088	SEAT	1
7	8709644	ANTI.EXT.RING	1

22524.48 - ADAPTOR KIT



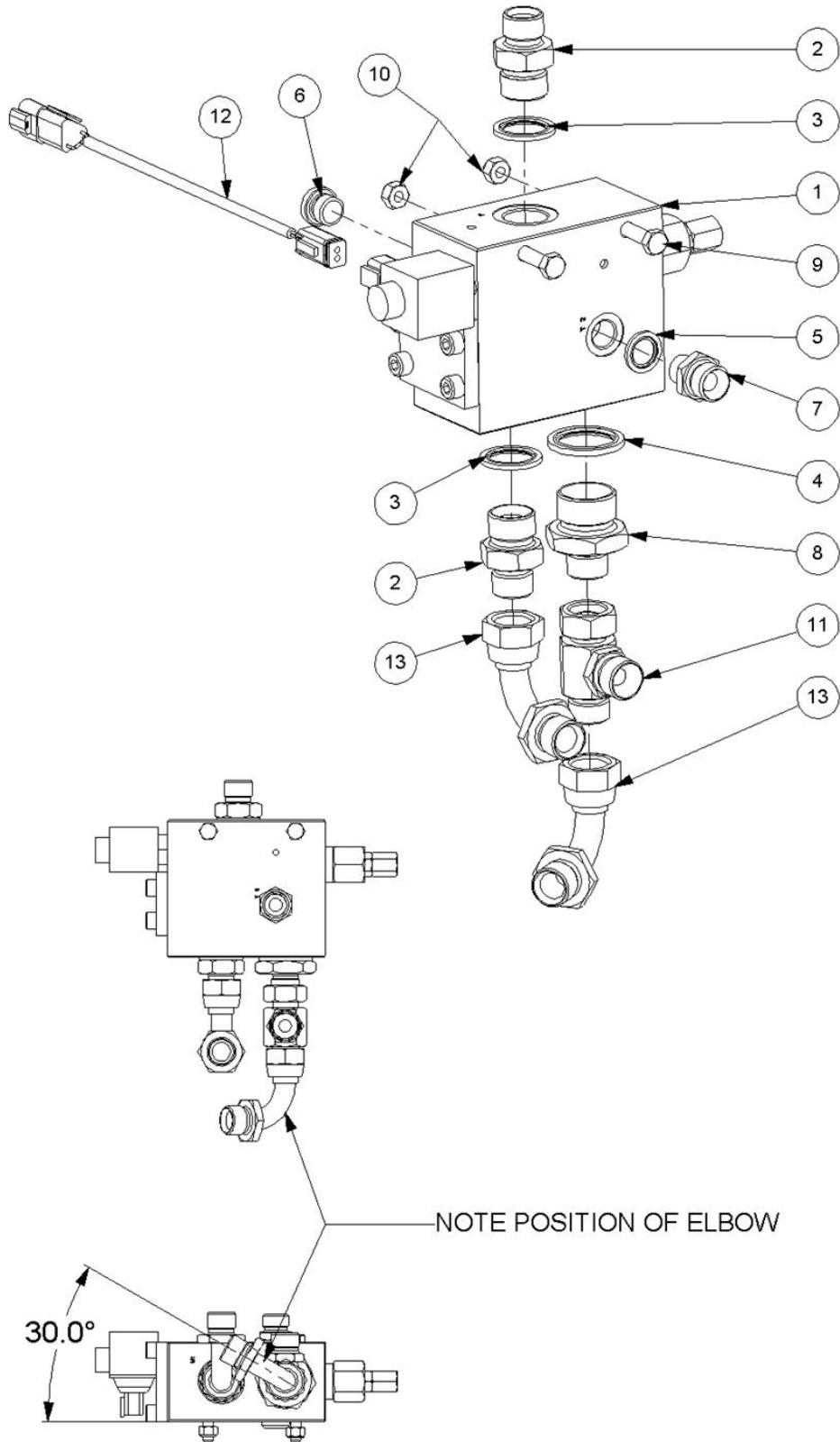
Ref	Part No	Description	QTY
1	6000113	ADAPTOR	1
2	6000112	ADAPTOR	1
3	8650102	SEAL	8
4	8650103	SEAL	2
5	8581169	ADAPTOR	7
6	520378	ADAPTOR	1

7434576 - PACKING KIT



Ref	Part No	Description	QTY
1	22852.53	PACKING STRAP	1
2	9313095	SETSCREW	1
3	9213145	BOLT	1
4	9163005	NUT	2
5	22852.59	ANGLE	1
6	7196045	HOSE TIE	1
7	9100105	WASHER	6

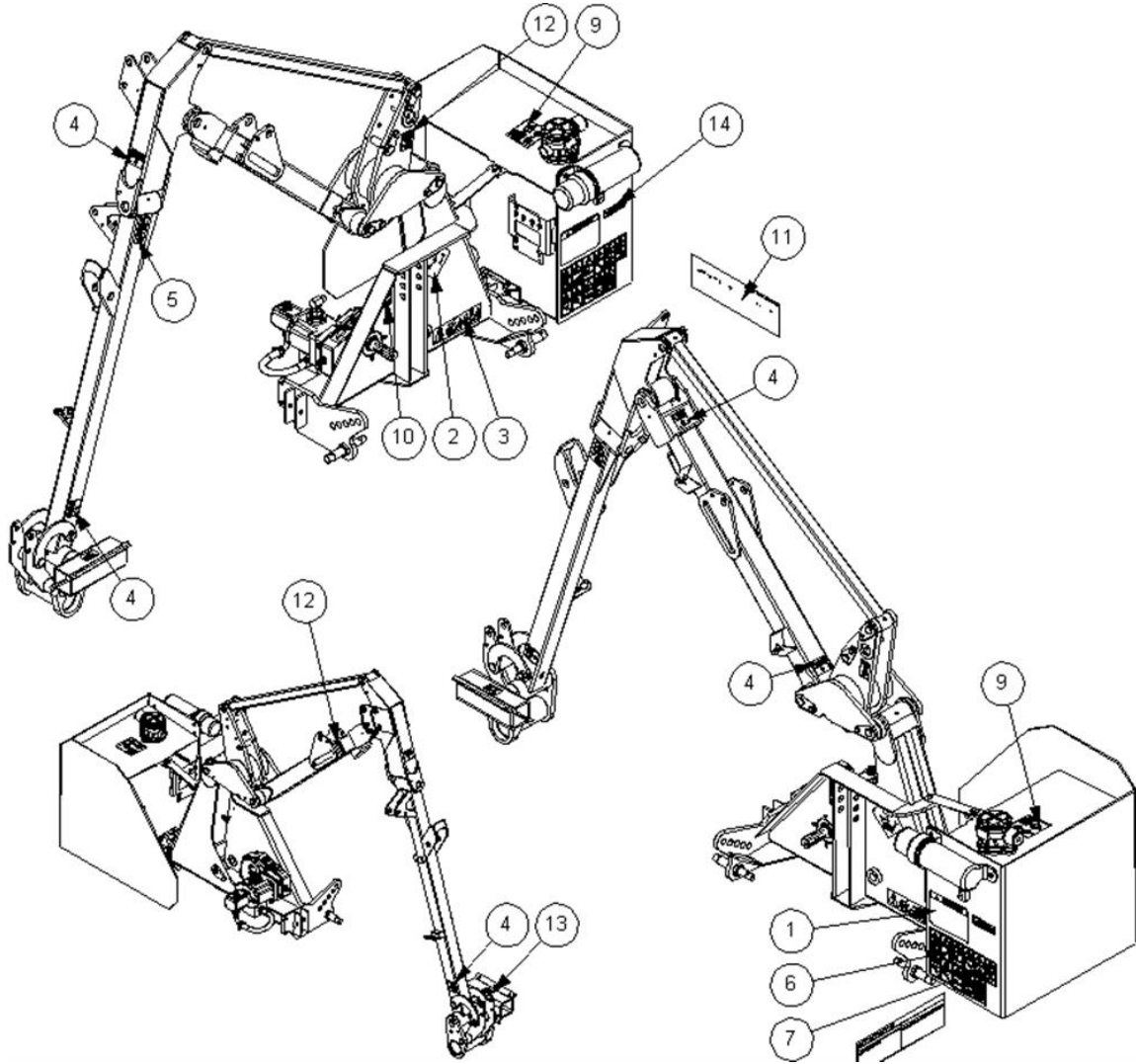
7434578 - LH RM/RH FM ON/OFF ERCV ASSY



Ref	Part No	Description	QTY
1	23741.01	RELIEF VALVE / DIVERTER	1
2	8581270	ADAPTOR	2
3	8650106	SEAL	2

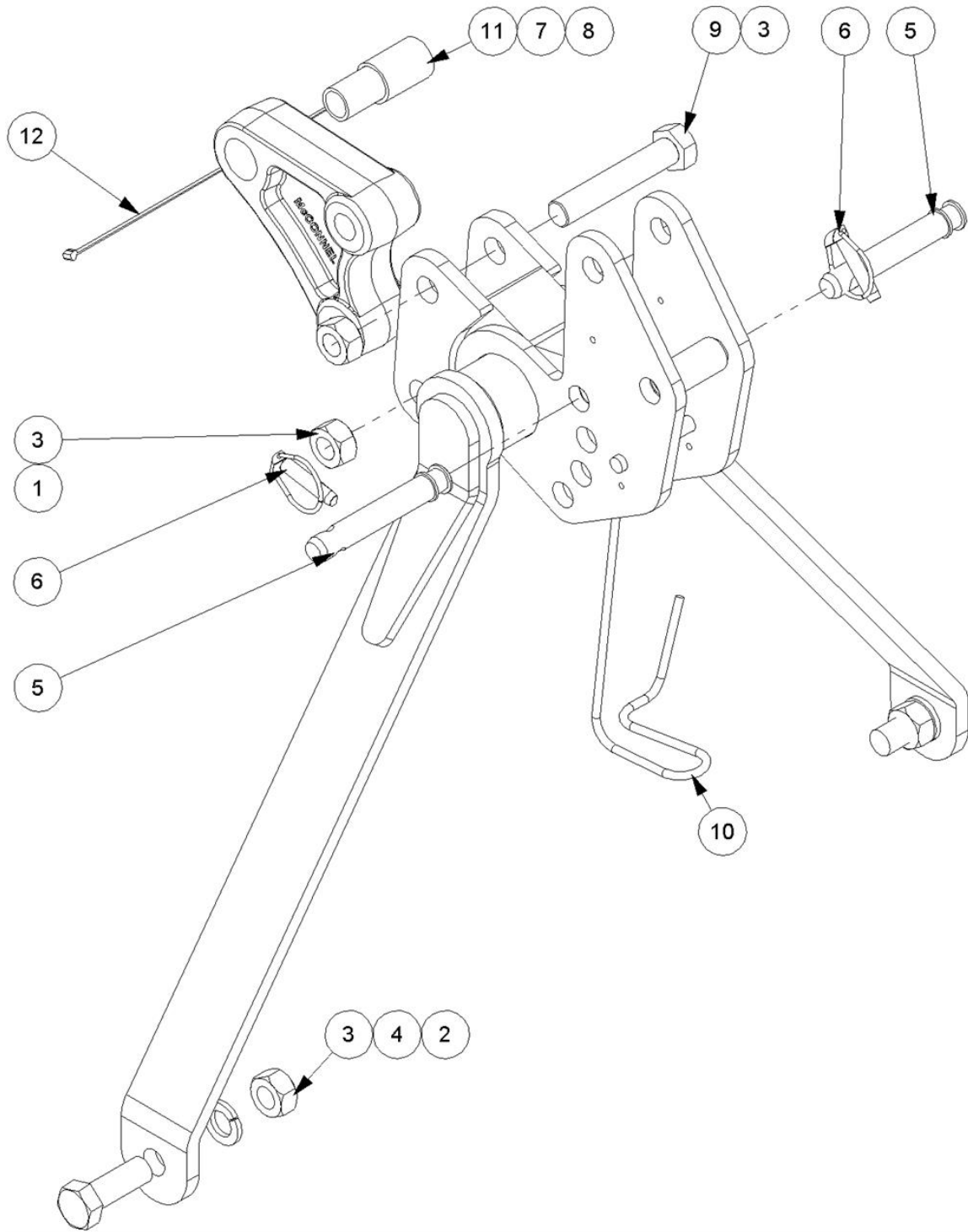
Ref	Part No	Description	QTY
4	8650108	SEAL	1
5	8650103	SEAL	1
6	8581436	ADAPTOR	1
7	6000112	ADAPTOR	1
8	8581378	ADAPTOR	1
9	9213164	BOLT	2
10	9143004	NUT	2
11	8581460	ADAPTOR	1
12	41844.57	RCV LOOM ON/OFF DT	1
13	8581565	ADAPTOR	2

7434583 - BASIC STICKER KIT



Ref	Part No	Description	QTY
1	00756494	DECAL	1
2	7105130	DECAL	1
3	7135295	DECAL	1
4	02962764	DECAL	6
5	1290746	DECAL	1
6	09.821.35	DECAL	1
7	09.821.28	DECAL	1
8	09.821.32	DECAL	1
9	1290774	DECAL	1
10	23832.06	DECAL-1000 PTO MAX ANTI CLOCK	1
11	1290352	DECAL	1
12	09.843.05	DECAL	2
13	21917.06	DECAL	1
14	D960	DECAL WARNING CANCER AND HARM	1

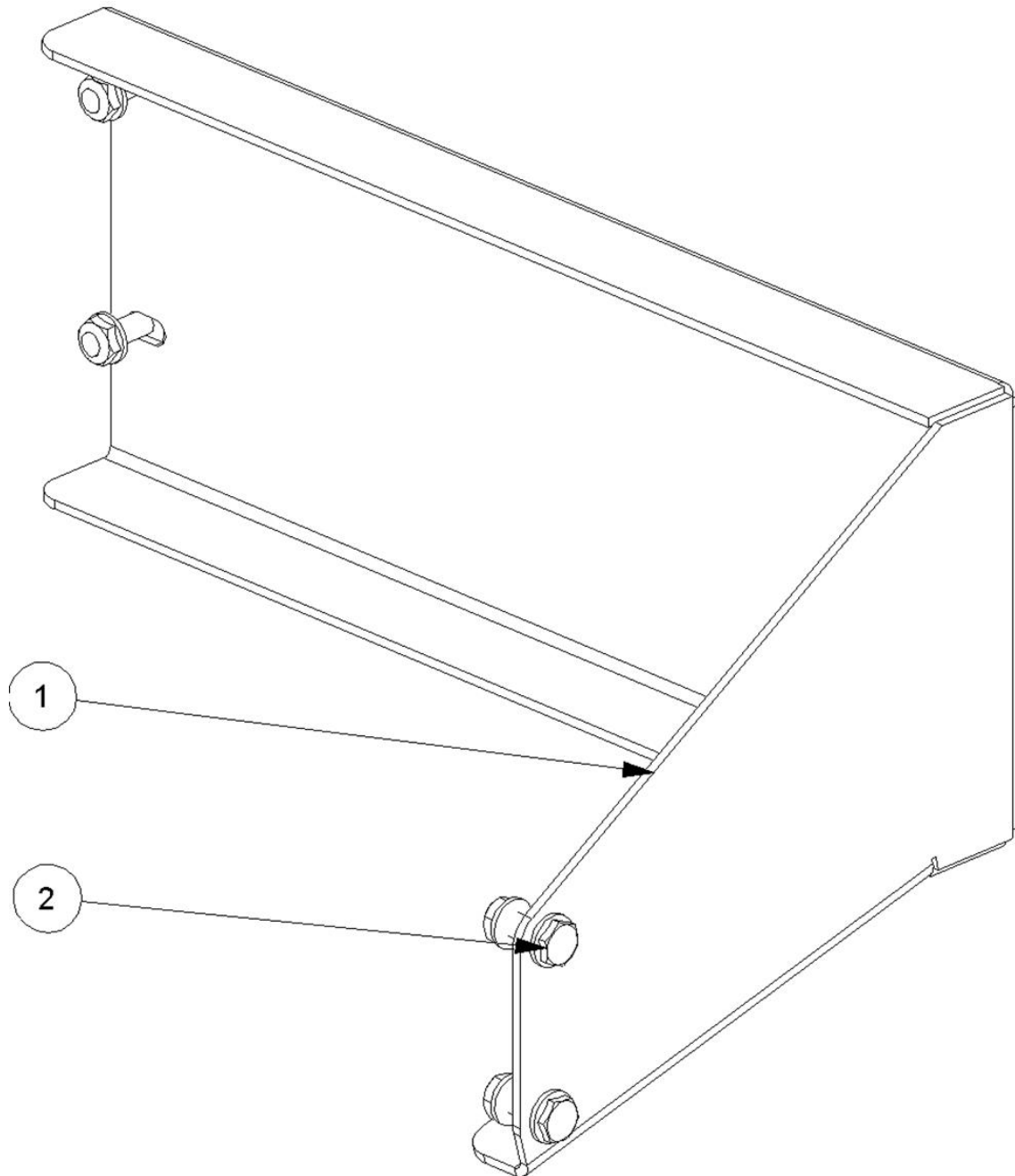
7434627 - STABILIZER KIT



Ref	Part No	Description	QTY
1	41205.18	STABILIZER	1
2	9313118	SCREW	2
3	9113008	NUT	4
4	9100208	WASHER	2
5	T1657	PIN - LINKAGE	2
6	0431217	LINCH PIN	2
7	1467063	SLEEVE	2
8	7499506C	TONGUE STAB CAT 3 CAST	1

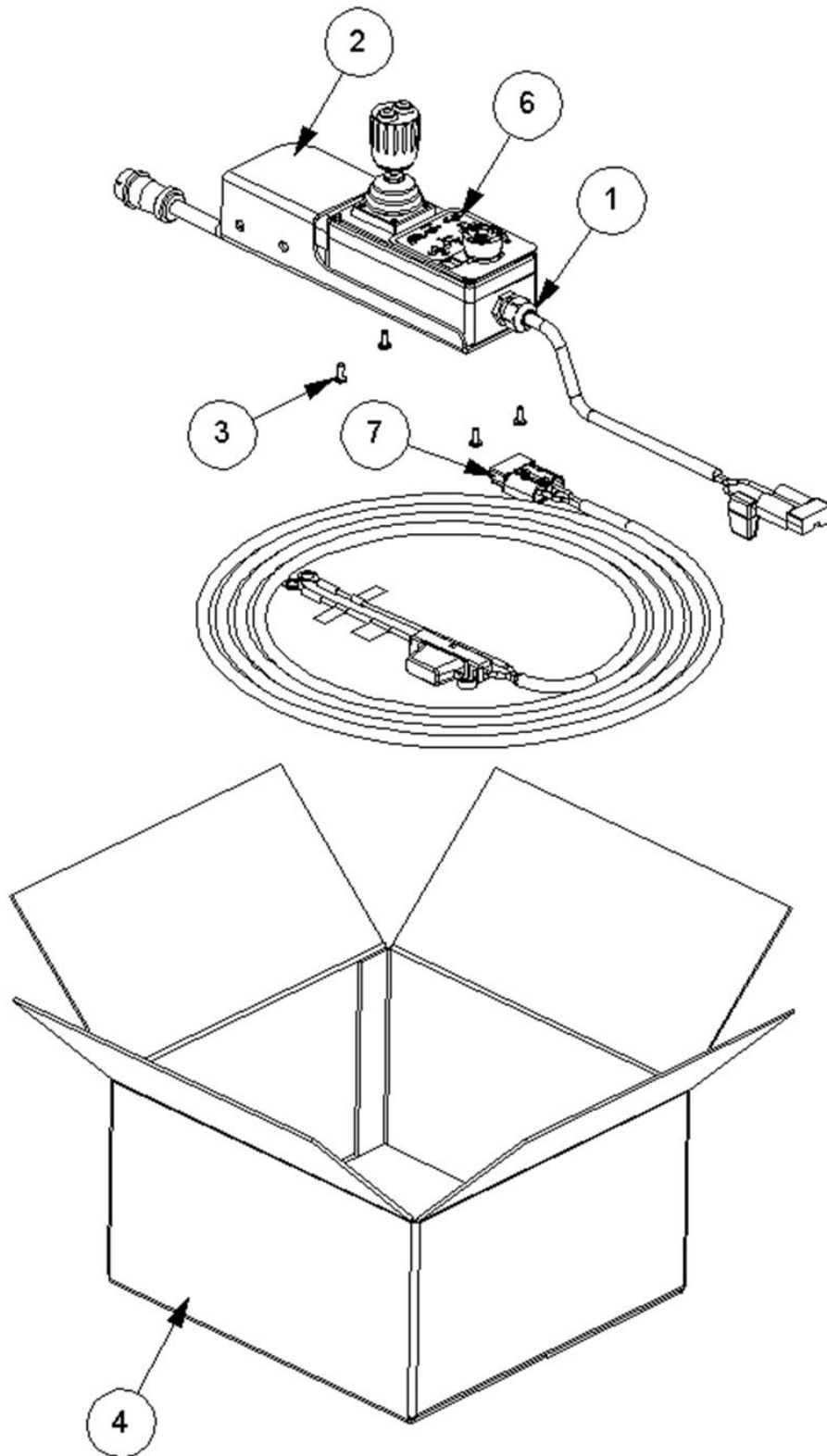
Ref	Part No	Description	QTY
9	9213228	BOLT	2
10	21160.03	HOOK	1
11	21883.01	SLEEVE CAT 2-3	1
12	7196045	HOSE TIE	1

7434673 - GUARD MODULE



Ref	Part No	Description	QTY
1	41196.92	TANK PLATE LH	1
2	9413065	SCREW & NUT	4

8402919 - MINI XTC KIT

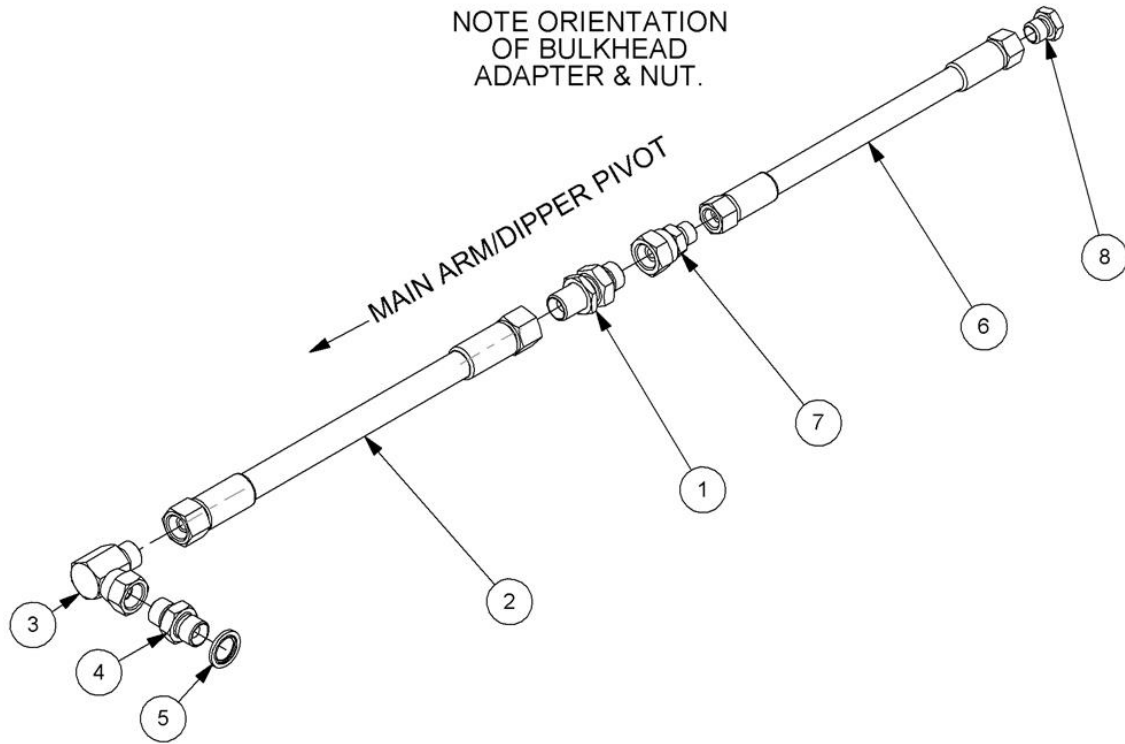


Ref	Part No	Description	QTY
1	23880.11	MINI CONTROLS	1
2	42442.04	MINI MOTION CONTROLS BRACKET	1
3	2800243	SCREW	4
4	8402703	WATERPROOF BOX	1

Ref	Part No	Description	QTY
5	1290717	DECAL	1
6	1291169	OPERATIONAL DECAL	1
7	8402237	LOOM	1
8	1290829	DECAL	2
9	24505.01	BOX EDGE PROTECTOR	4
10	7190107	TIE	6

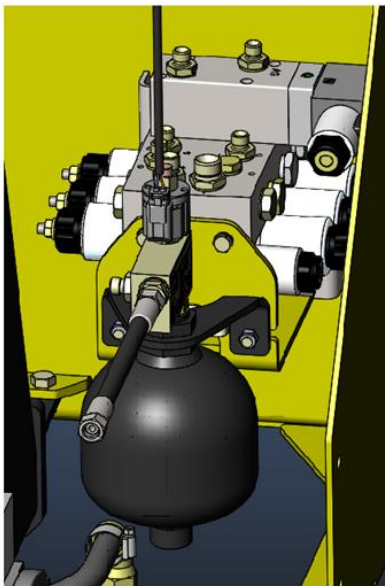
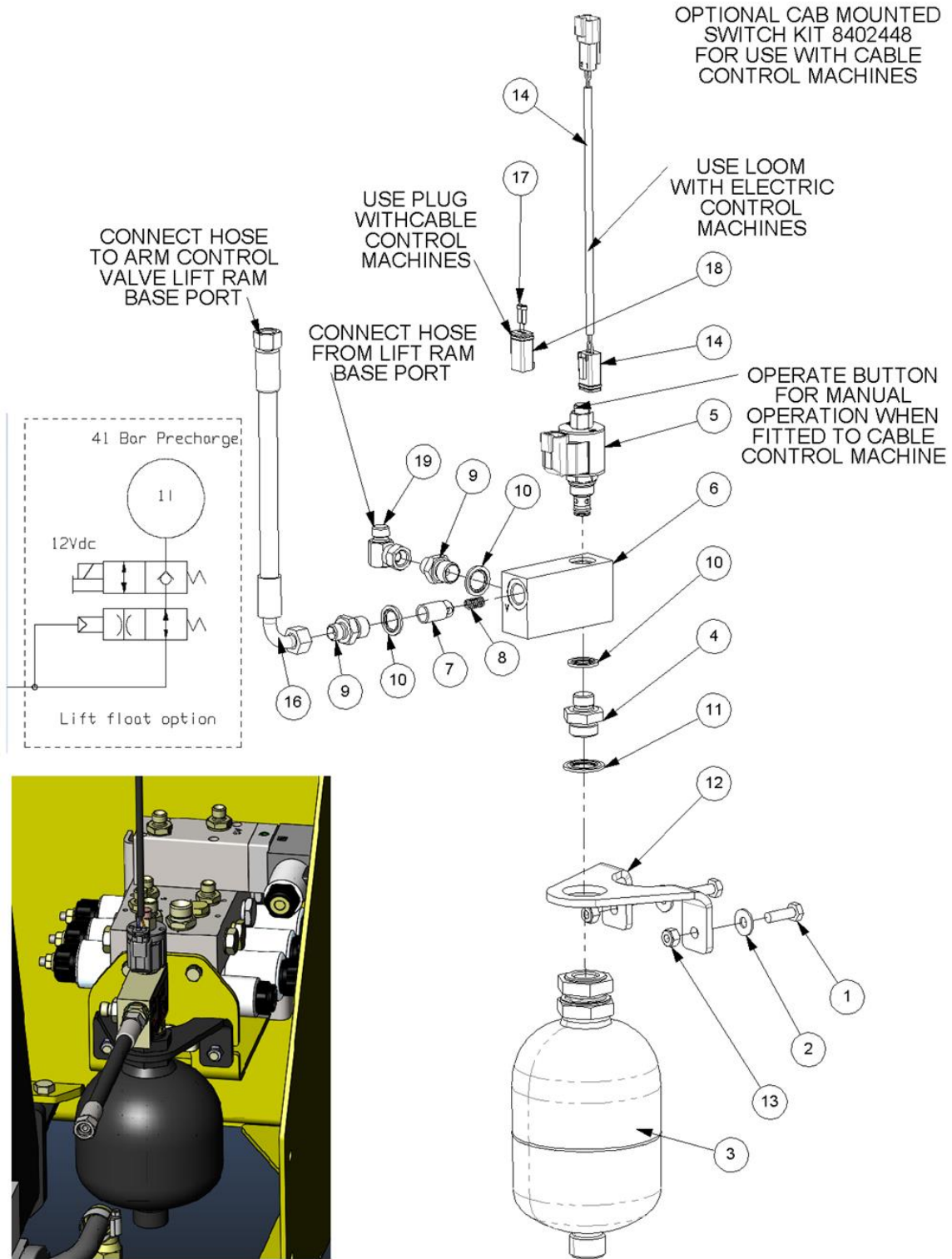
ATTACHMENTS

7443600 - PA4330 DRAIN LINE KIT



Ref	Part No	Description	QTY
1	T8072	ADAPTOR	1
2	10.003.52	HOSE	1
3	8581117	CONNECTOR	1
4	6000113	ADAPTOR	1
5	8650103	SEAL	1
6	10.001.30	HOSE	1
7	02.714.10	ADAPTOR	1
8	520378	ADAPTOR	1

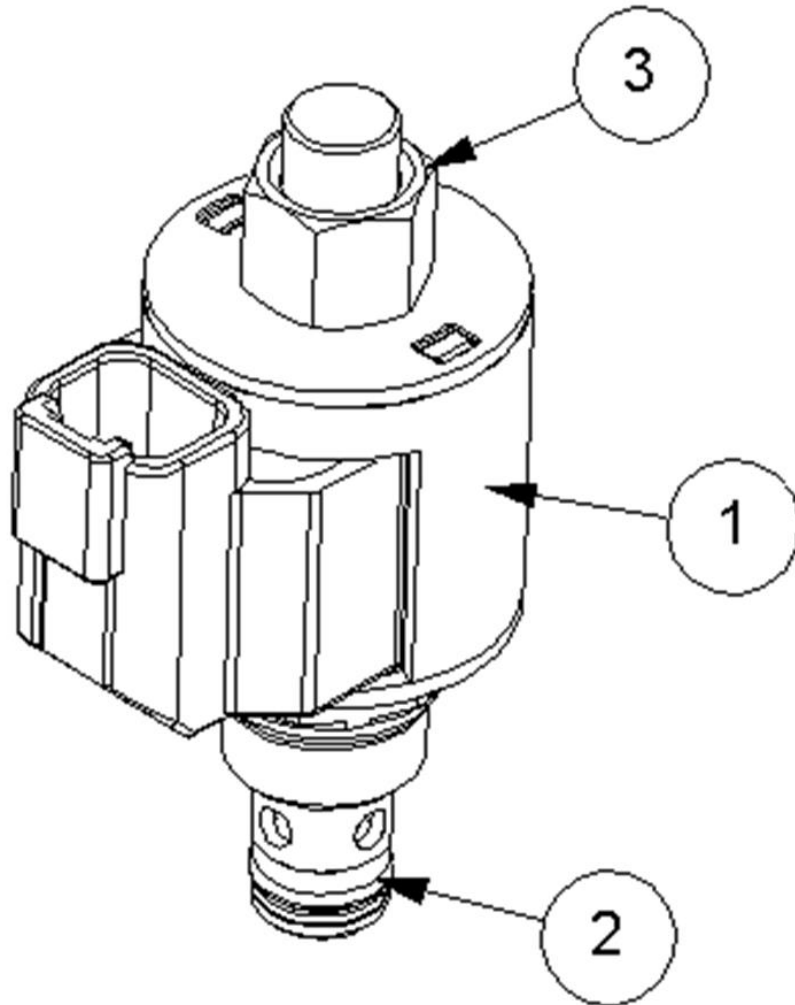
8126376 - LIFT FLOAT KIT- PA3430/4330 BSP



Ref	Part No	Description	QTY
1	9313054	SCREW	2
2	9100104	WASHER	2
3	8126042	ACCUMULATOR	1

Ref	Part No	Description	QTY
4	G2410380	ADAPTOR	1
5	8130223	NC POPPET VALVE	1
6	8126287	BLOCK	1
7	8126037	PISTON	1
8	8116011	SPRING	1
9	8581115	ADAPTOR	2
10	8650103	SEAL	3
11	8650322	SEAL	1
12	22852.52	BRACKET	1
13	9163004	NUT	2
14	41844.54	ANGLE FLOAT LOOM 2M DT CONNECT	1
15	1290061	DECAL	1
16	10.002.10	HOSE	1
17	45594.49	SEALING PLUG	2
18	45594.37	DEUTSCH DT06-2S	1
19	8581190	ADAPTOR	1

8130223 - NC POPPET VALVE



Ref	Part No	Description	QTY
1	8130220	COIL FOR 8130223	1
2	8130221	VALVE FOR 8130223	1
3	8130222	COIL RETAINING NUT FOR 8130223	1

