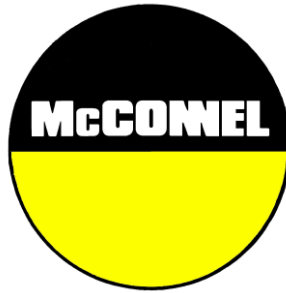


Parts Manual for
WGC No: 5045931
PA5045 RH RM TI

Print date: 15/12/2015

Applicable to Works Order No: 87870B

For Serial No: M1539918



All parts are not created equal and before you settle on an imitation part, know this - McConnel Genuine Parts offer the safety, durability and warranty protection you expect. You've made an investment in your equipment; now invest in its future.

- We design and build to exact specifications requiring strict chemical strength and performance characteristics. (Never reverse engineered like imitation parts).
- McConnel Genuine Parts meet the rigid guidelines necessary to satisfy warranty requirements.
- Our parts experts are available to answer any questions and have first -hand knowledge of all equipment.
- McConnel Genuine Parts are tested to meet all safety standards.
- McConnel parts have a 6 month warranty when fitted by an authorised Dealer.

McCONEL LIMITED

For parts supply contact your local Dealer or Stockist

To help them help you, always quote:

- ***Machine Type***
- ***Serial Number***
- ***Part Number***

Design improvements may alter some of the parts listed in this manual – the latest part will always be supplied when it is interchangeable with an earlier one.

McCONNEL PARTS DEPARTMENT

Telephone: +44 (0)1584 873131 **Fax:** +44 (0)1584 872223
Direct Parts Line: +44 (0)1584 876888 **Email:** parts@mcconnel.com

CONTENTS

Page No	Schedule No	Schedule Description
1	22674.82	OPERATOR MANUAL
3	5045705	DECAL MODULE
5	5045706	DECAL KIT
7	5045707	PACKING MODULE
9	5045709	MAIN ARM MODULE
11	5045711	DIPPER ARM MODULE
13	5045717	HYD INST
15	7198375	RAM
17	7193334	RAM
19	7560344	RAM
21	5045719	RCV ASSY
23	08.943.01	VALVE
25	5045721	VALVE ASSY
27	22523.05	MANIFOLD KIT 3 BANK
29	22524.34	ADAPTOR KIT
31	22525.57	SOLENOID
33	504572217	HOSE KIT
35	7146711	STABILIZER MODULE
37	7147703	MAIN FRAME MODULE
39	7147715Y	RH COVERS MODULE
41	7150705	TANK MODULE
43	8401146	FILTER
45	7150815	ROCKER MODULE
47	7170702	ANGLING MODULE
49	7313282	CAB CTRL MTG MOD
51	7313324	GUARD KIT
53	8013505	PUMP & GEARBOX
55	22927.05	GEARBOX 4.23 :1 RATIO 13T
57	8201466	PUMP
59	8402920	CONTROL MODULE
61	8402404	CONTROL BOX

* optional component

Publication 682
November 2011
Part No. 22674.82
Revised: 14.08.14



McCormel

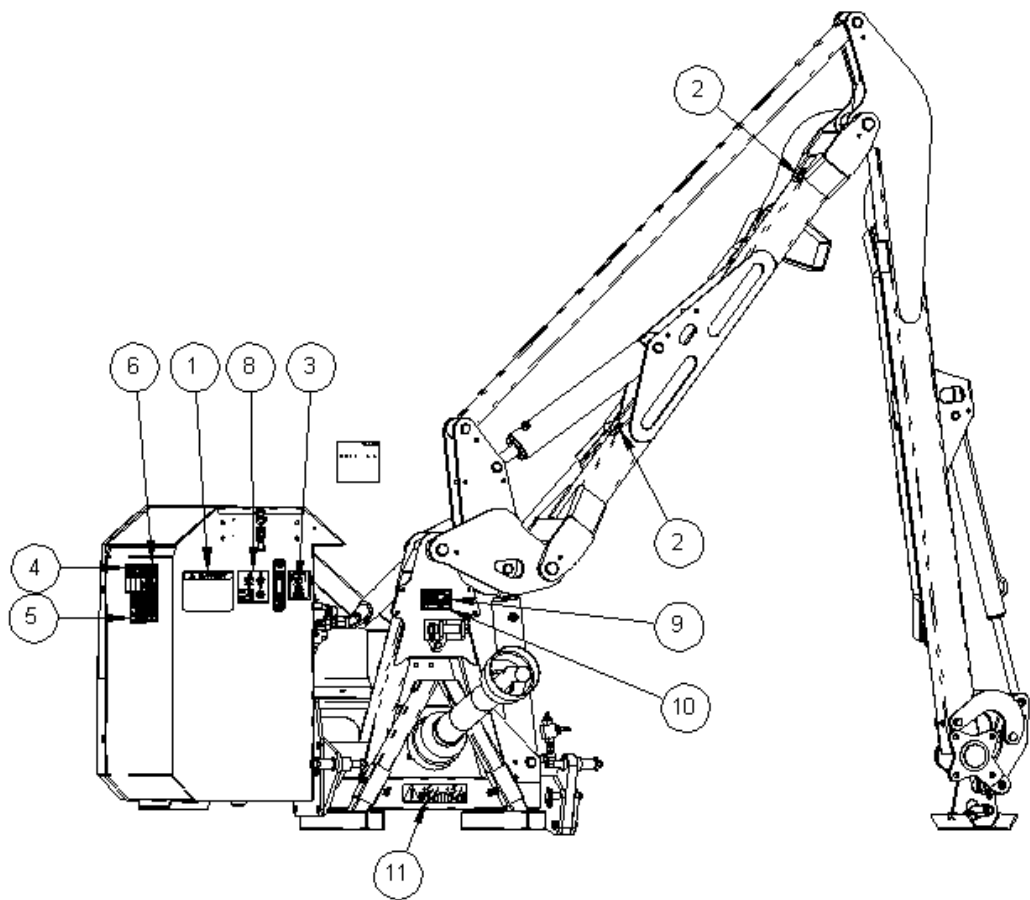
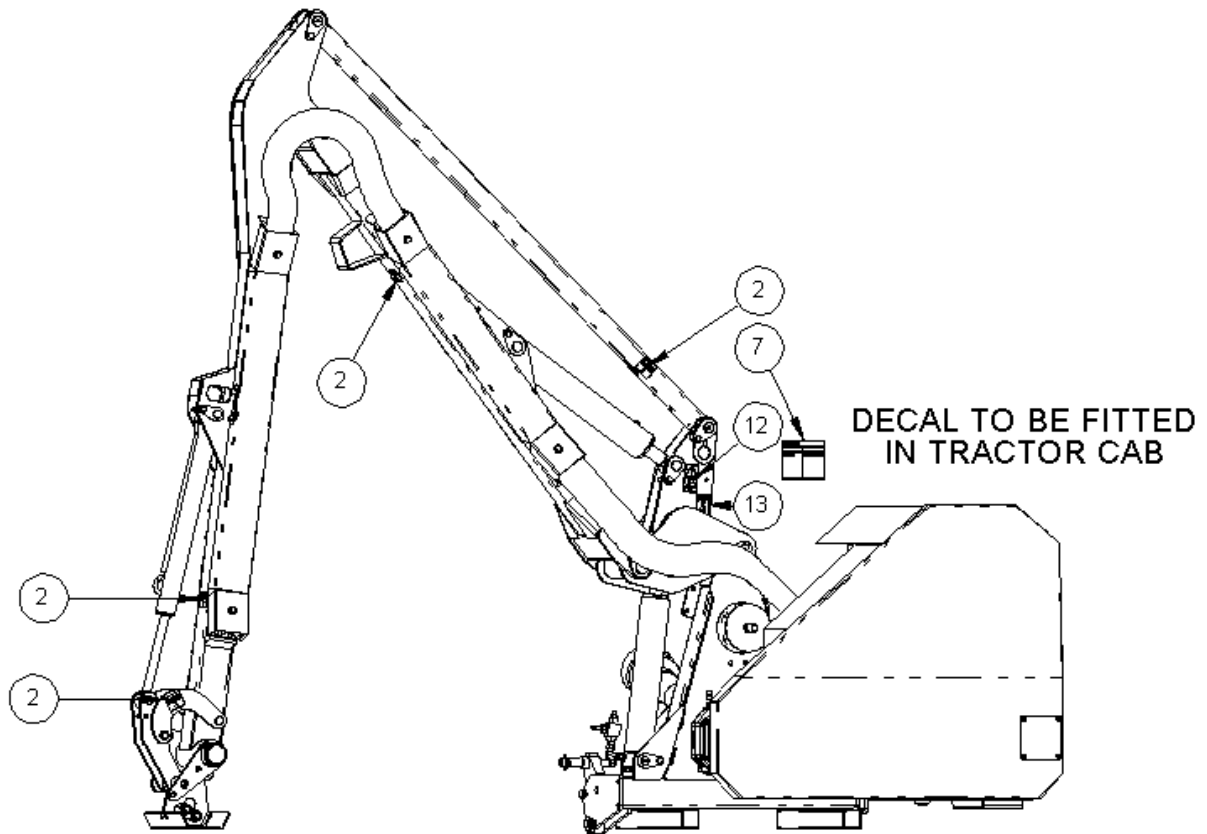
PA4745 / PA5045 Series

45HP AGRICULTURAL RANGE HEDGE CUTTERS

Operator Manual



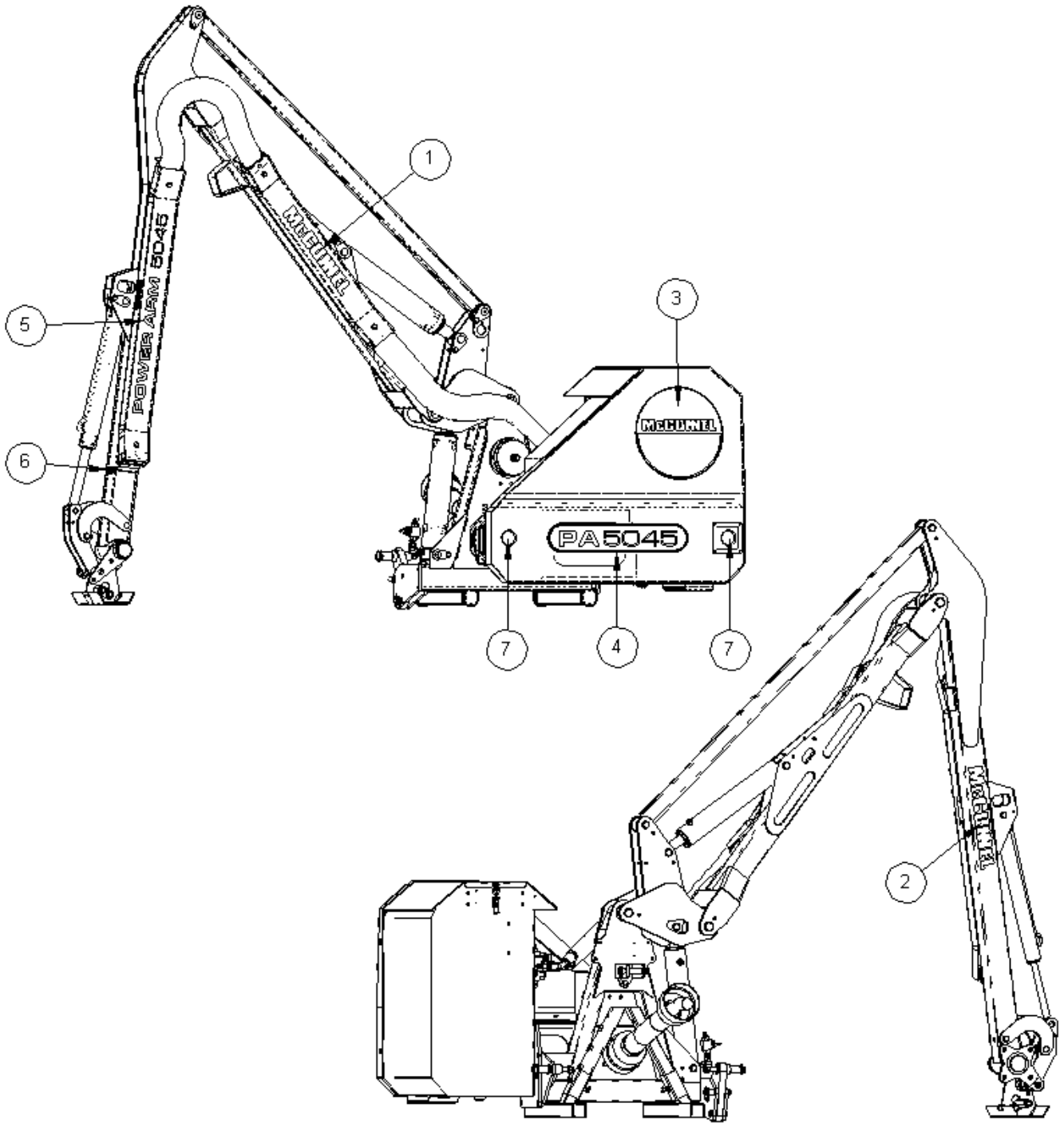
5045705 - DECAL MODULE



5045705 - DECAL MODULE

Ref	Part No	Description	Qty
1	00756494	DECAL	1
2	02962764	DECAL	6
3	09.811.03	DECAL	1
4	09.821.28	DECAL	1
5	09.821.32	DECAL	1
6	09.821.35	DECAL	1
7	1290352	DECAL	1
8	1290774	DECAL	1
9	1335246	SERIAL NO.PLATE	1
10	7103230	RIVET	4
11	7135295	DECAL	1
12	1290893	DECAL	1
13	09.843.06	DECAL	1

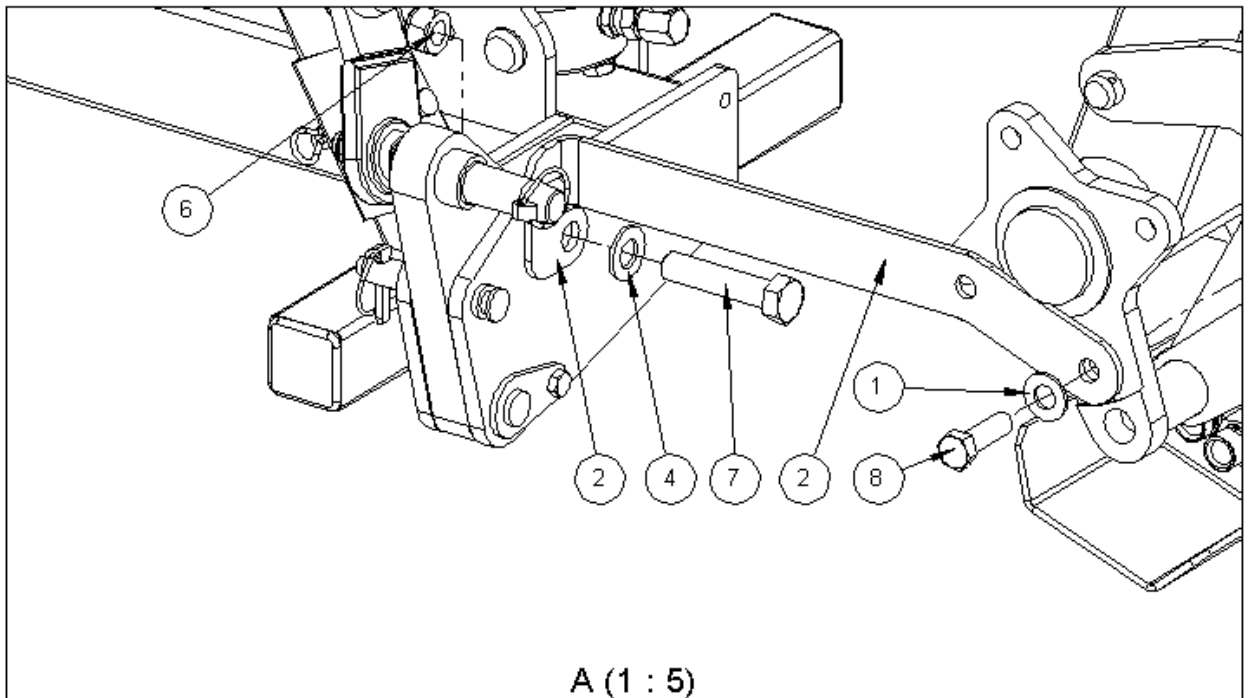
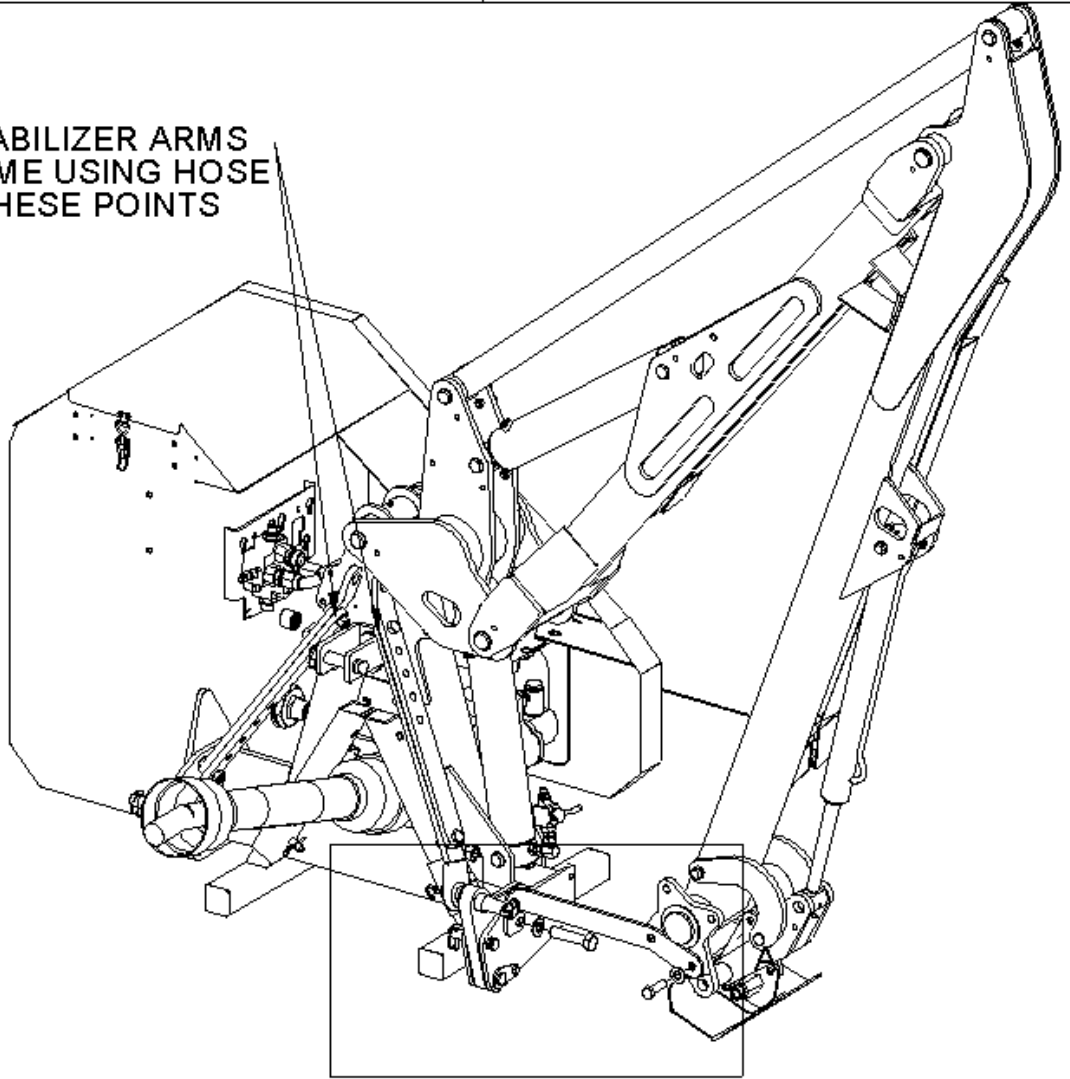
5045706 - DECAL KIT



5045706 - DECAL KIT

Ref	Part No	Description	Qty
1	1290255	DECAL	1
2	1290614	DECAL	1
3	1290697	DECAL	1
4	1291116	DECAL	1
5	1291117	DECAL	1
6	21917.01	DECAL	1
7	45671.01	REFLECTOR	2

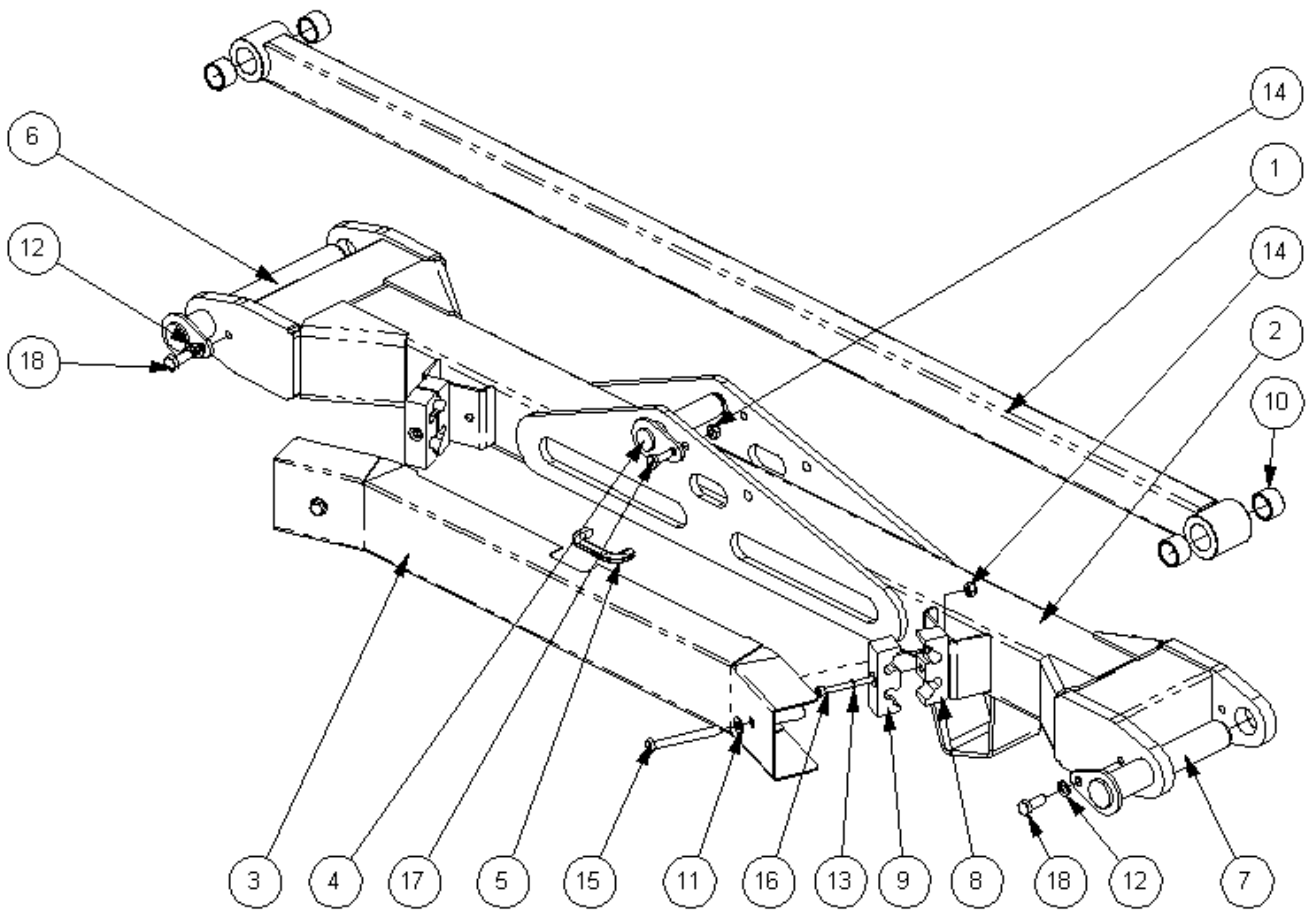
ATTACH STABILIZER ARMS
TO MAINFRAME USING HOSE
TIES AT THESE POINTS



5045707 - PACKING MODULE

Ref	Part No	Description	Qty
1	0100106	WASHER	1
2	22622.01	STRAP	1
3	7196045	HOSE TIE	4
4	9100108	WASHER	1
5	9163007	NUT	1
6	9163008	NUT	1
7	9213188	BOLT	1
8	9313107	SCREW	1

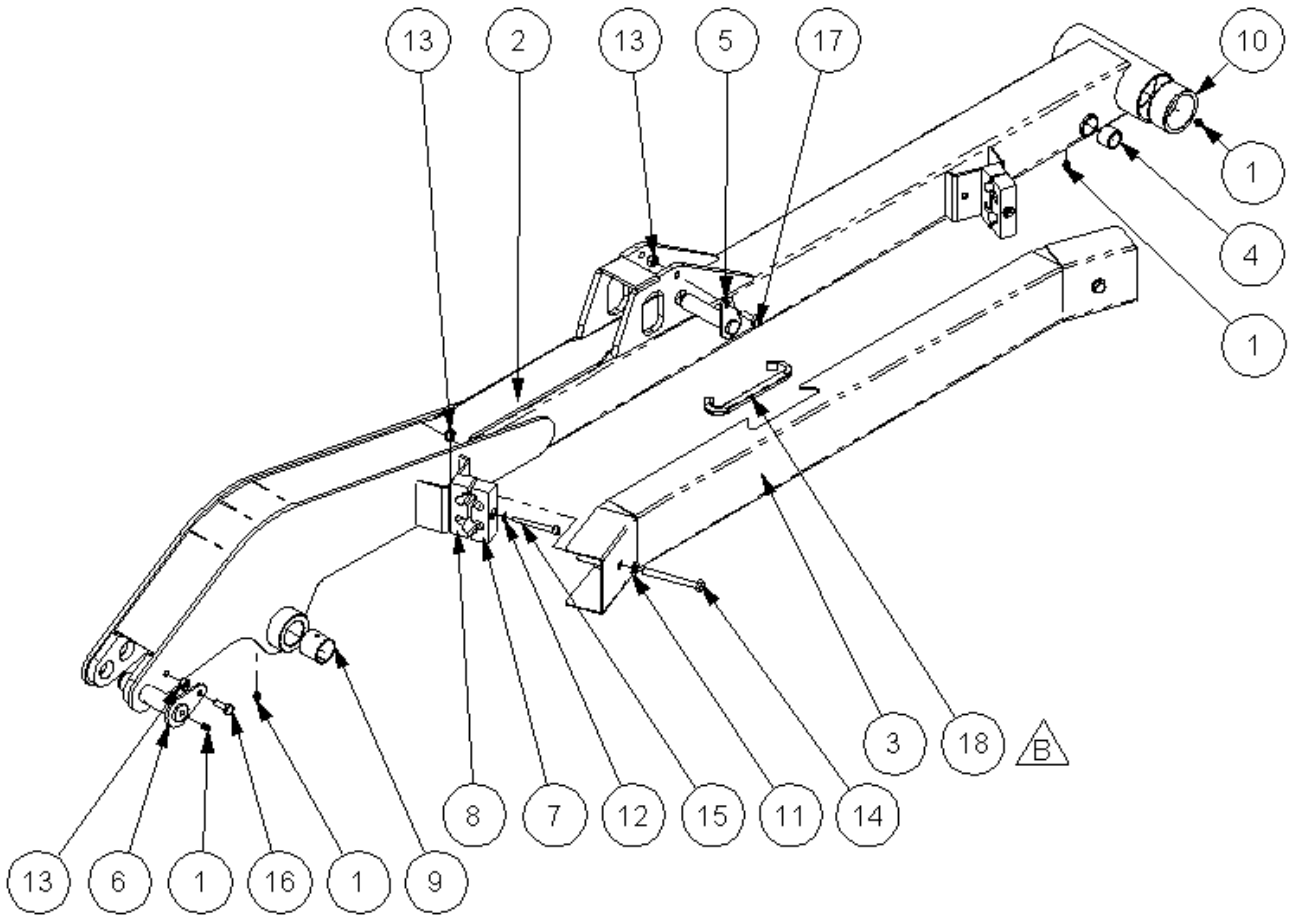
5045709 - MAIN ARM MODULE



5045709 - MAIN ARM MODULE

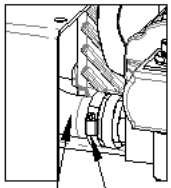
Ref	Part No	Description	Qty
1	22499.02	TENSION LINK	1
2	22501.02	MAIN ARM	1
3	22522.01	GUARD	1
4	41692.11	PIN	1
5	41741.11	EDGING STRIP	1
6	43324.13	PIN	1
7	43324.14	PIN	1
8	06.430.20	CLAMP	2
9	23058.02	HOSE CLAMP	2
10	6012032	BUSH	4
11	9100105	WASHER	2
12	9100206	WASHER	2
13	9100404	WASHER	2
14	9163005	NUT	3
15	9213205	BOLT	2
16	9243154	SCREW	2
17	9313065	SCREW	1
18	9313066	SCREW	2

5045711 B - DIPPER ARM MODULE

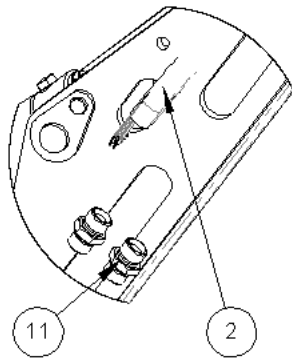


5045711 B - DIPPER ARM MODULE

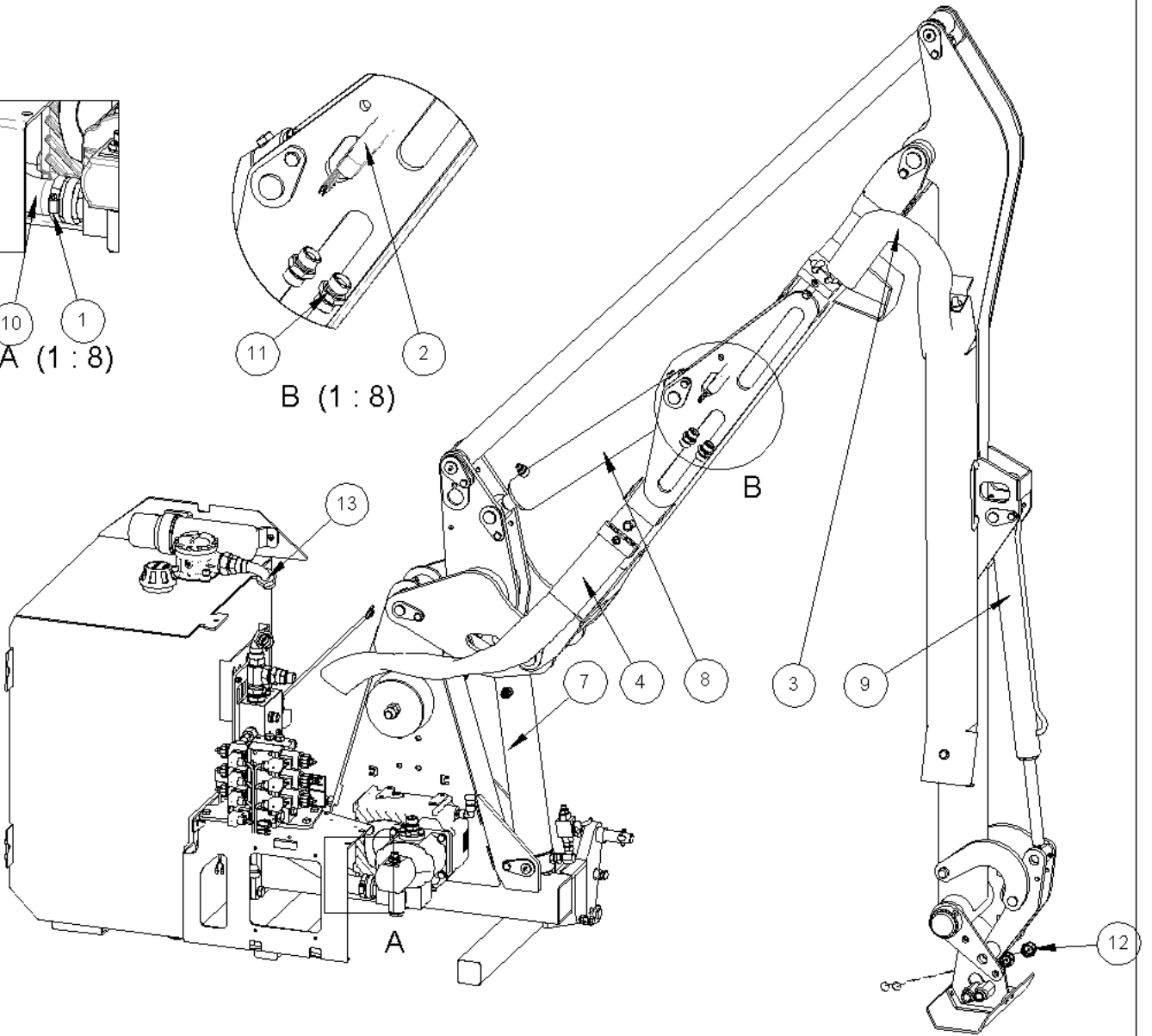
Ref	Part No	Description	Qty
1	0901121	GREASER	4
2	22517.03	DIPPER ARM W.A.	1
3	22522.03	GUARD	1
4	41690.01	BUSH	2
5	41691.01	PIN	1
6	41692.14	PIN W.A.	1
7	23058.02	HOSE CLAMP	2
8	06.430.20	CLAMP	2
9	7115208	BUSH	2
10	7136035	BUSH	2
11	9100105	WASHER	2
12	9100404	WASHER	2
13	9163005	NUT	4
14	9213205	BOLT	2
15	9243154	SCREW	2
16	9313055	SCREW	1
17	9313065	SCREW	1
18	41741.21	EDGING STRIP	1



A (1 : 8)



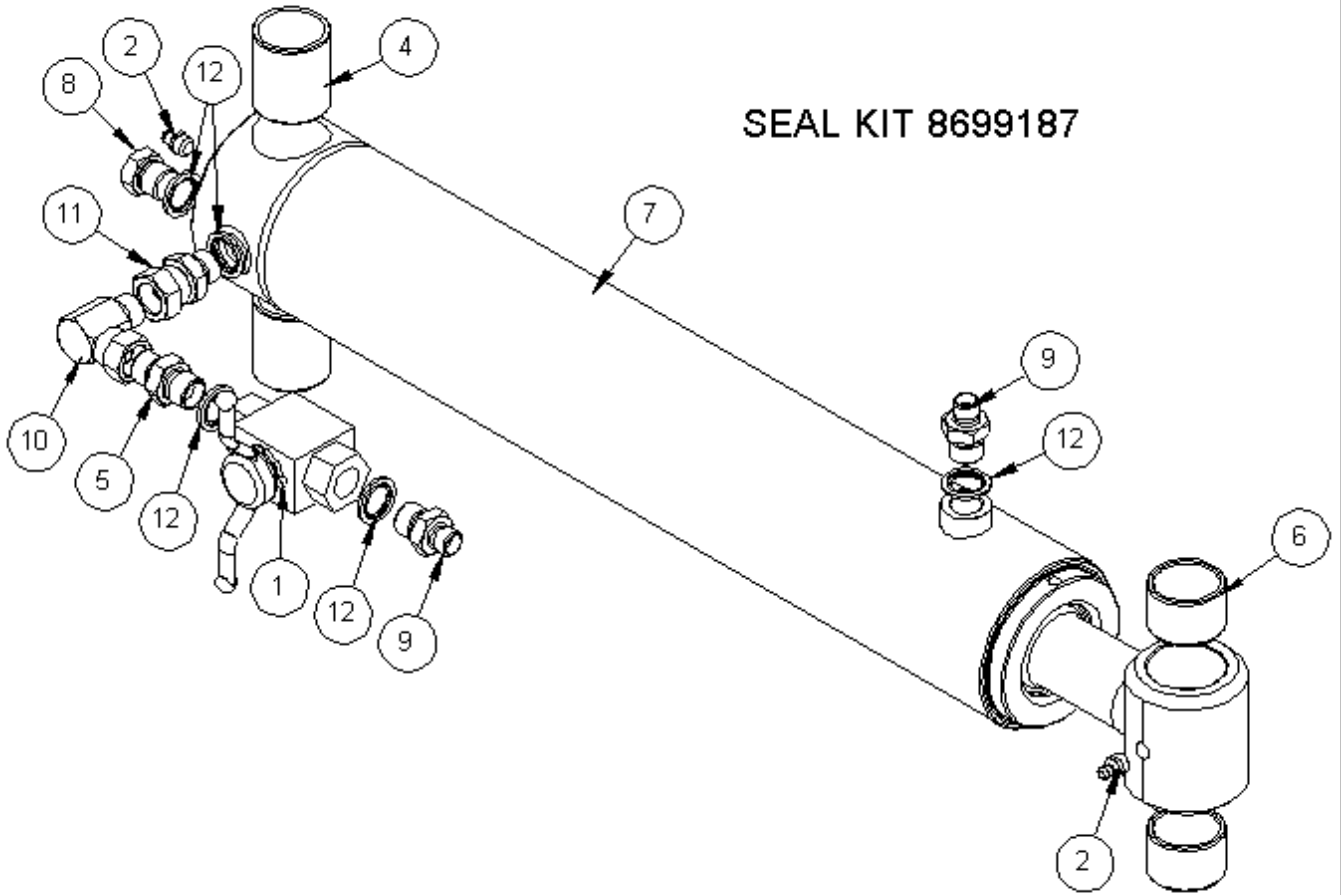
B (1 : 8)



5045717 - HYD INST

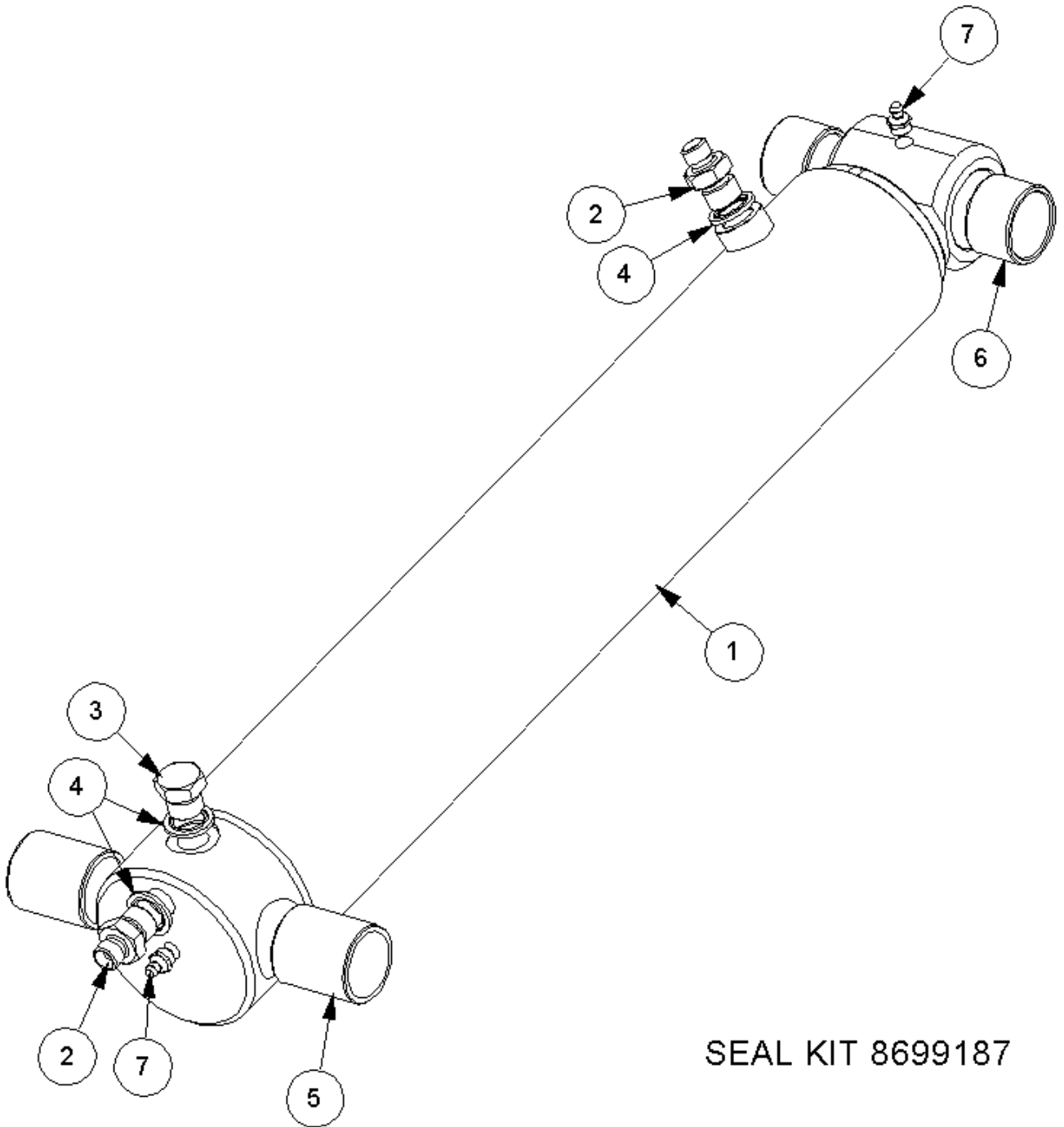
Ref	Part No	Description	Qty
1	0904107	CLIP	4
2	22591.03	HOSE SLEEVING	1
3	22591.17	HOSE SLEEVING	1
4	22591.18	HOSE SLEEVING	1
5	7135084	HOSE TIE	3
6	7196045	HOSE TIE	4
7	7198375	RAM	1
8	7193334	RAM	1
9	7560344	RAM	1
10	8501400	HOSE	1
11	8581136	ADAPTOR	2
12	8582056	ADAPTOR	2
13	8581264	ADAPTOR	1

SEAL KIT 8699187



7198375 F - RAM

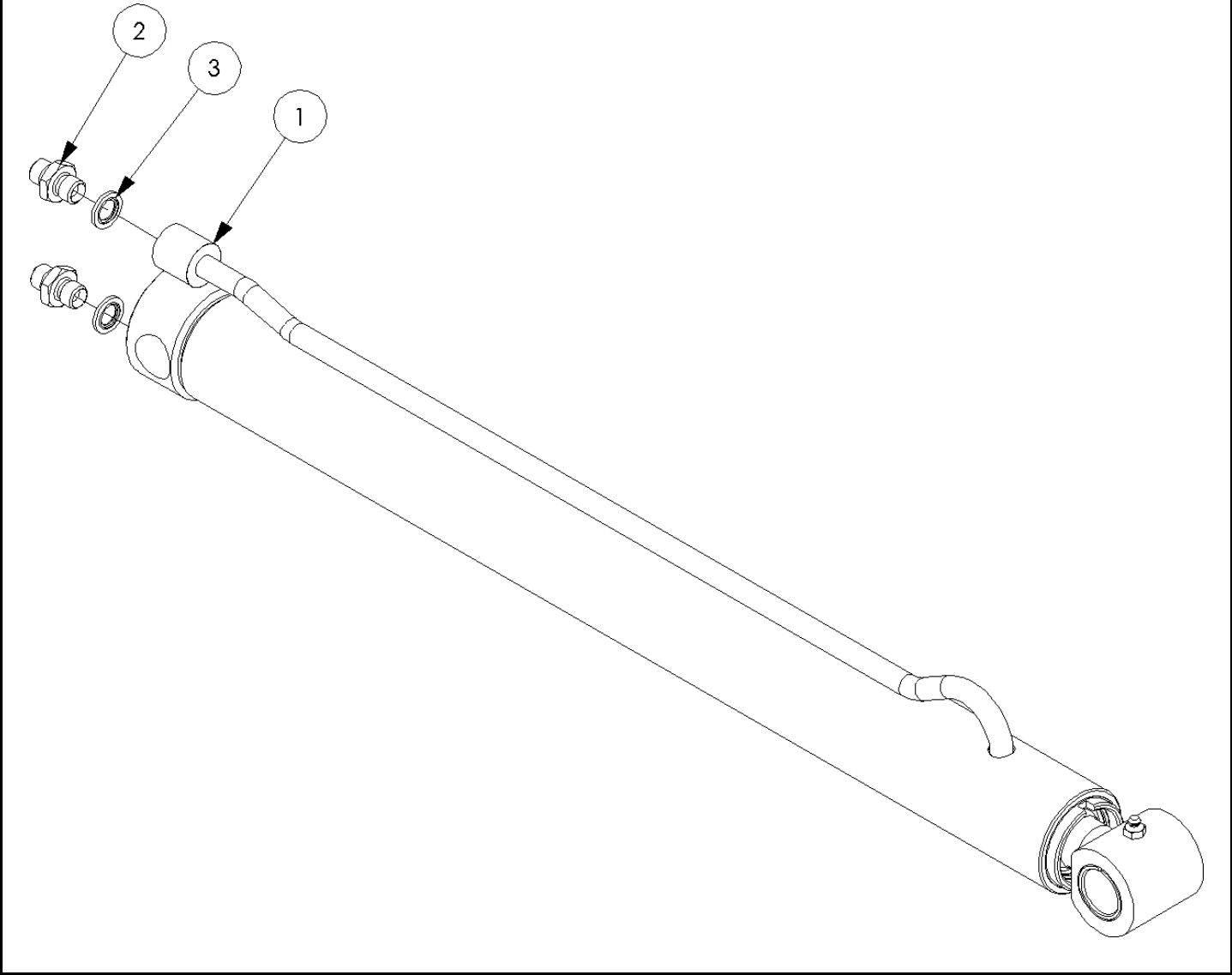
Ref	Part No	Description	Qty
1	08.200.01	VALVE	1
1	8699187	SEAL KIT	0
2	0901121	GREASER	2
4	21149.02	BUSH	2
5	6000113	ADAPTOR	1
6	6012032	BUSH	2
7	7198377	RAM	1
7	7198377P	RAM -PAINTED	0
8	8003001	PLUG	1
9	8581115	ADAPTOR	2
10	8581117	CONNECTOR	1
11	8581178	ADAPTOR	1
12	8650103	SEAL	5



SEAL KIT 8699187

7193334 - RAM

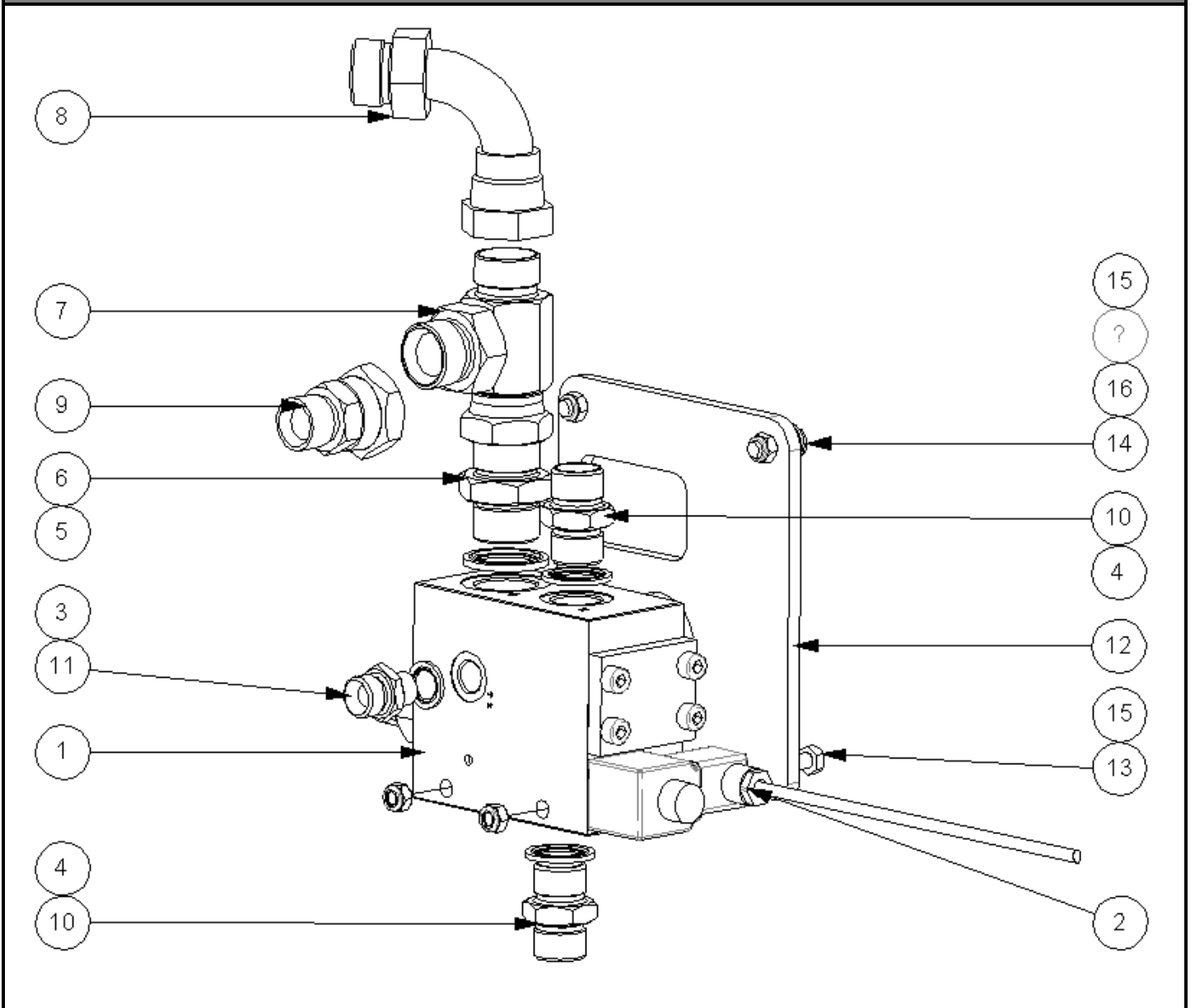
Ref	Part No	Description	Qty
1	7193332AP	RAM	1
1	7193332P	RAM -PAINTED	0
2	8581115	ADAPTOR	2
3	8003001	PLUG	1
4	8650103	SEAL	3
5	21149.02	BUSH	2
6	6012032	BUSH	2
7	0901121	GREASER	2
8	8699187	SEAL KIT	0



7560344 B - RAM

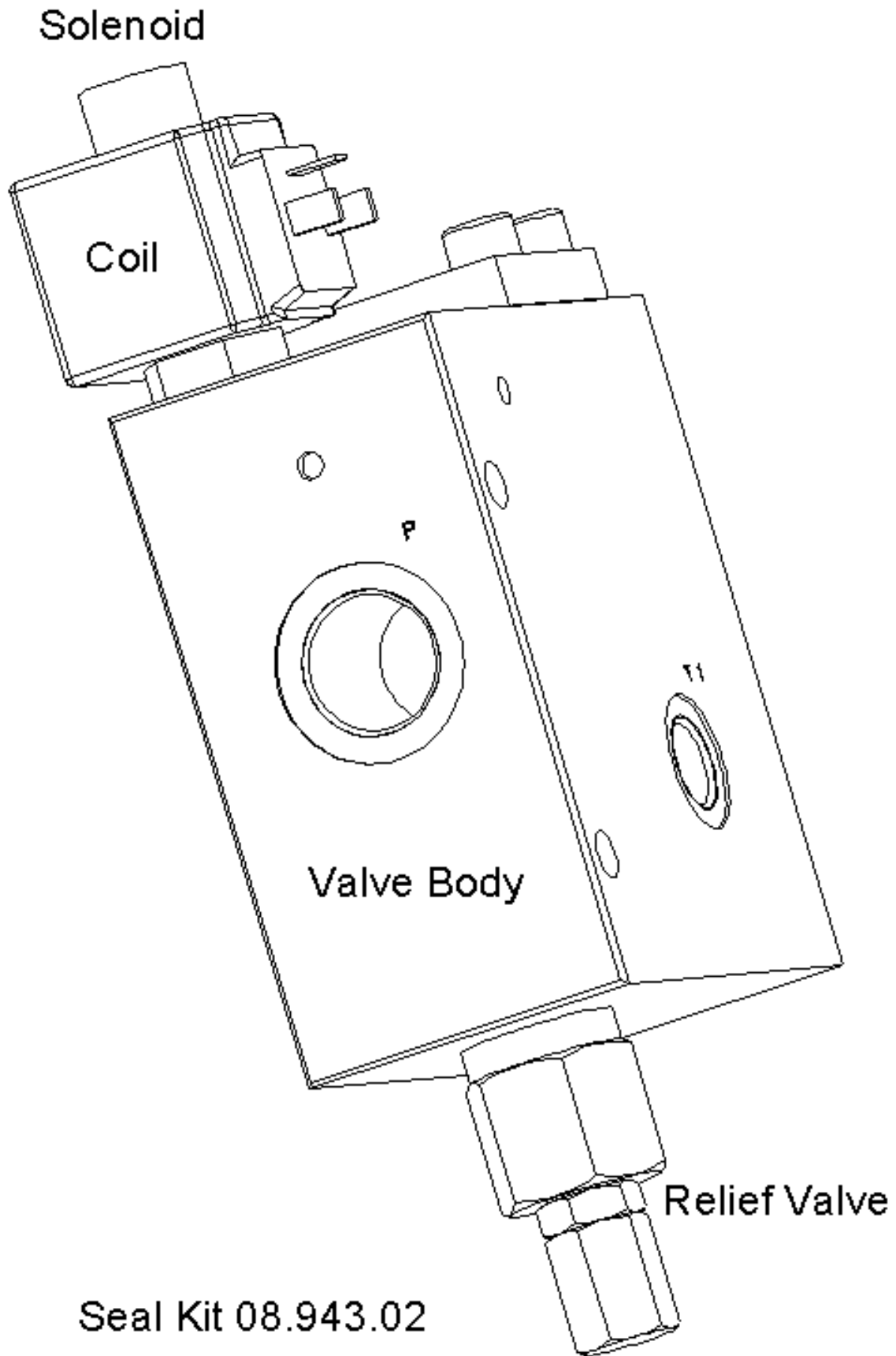
Ref	Part No	Description	Qty
1	7560354	50MM DIA RAM. B	1
1	7560354P	RAM -PAINTED	0
1	8699188	SEAL KIT	0
2	8581169	ADAPTOR	2
3	8650102	SEAL	2

5045719 - RCV ASSY



5045719 - RCV ASSY

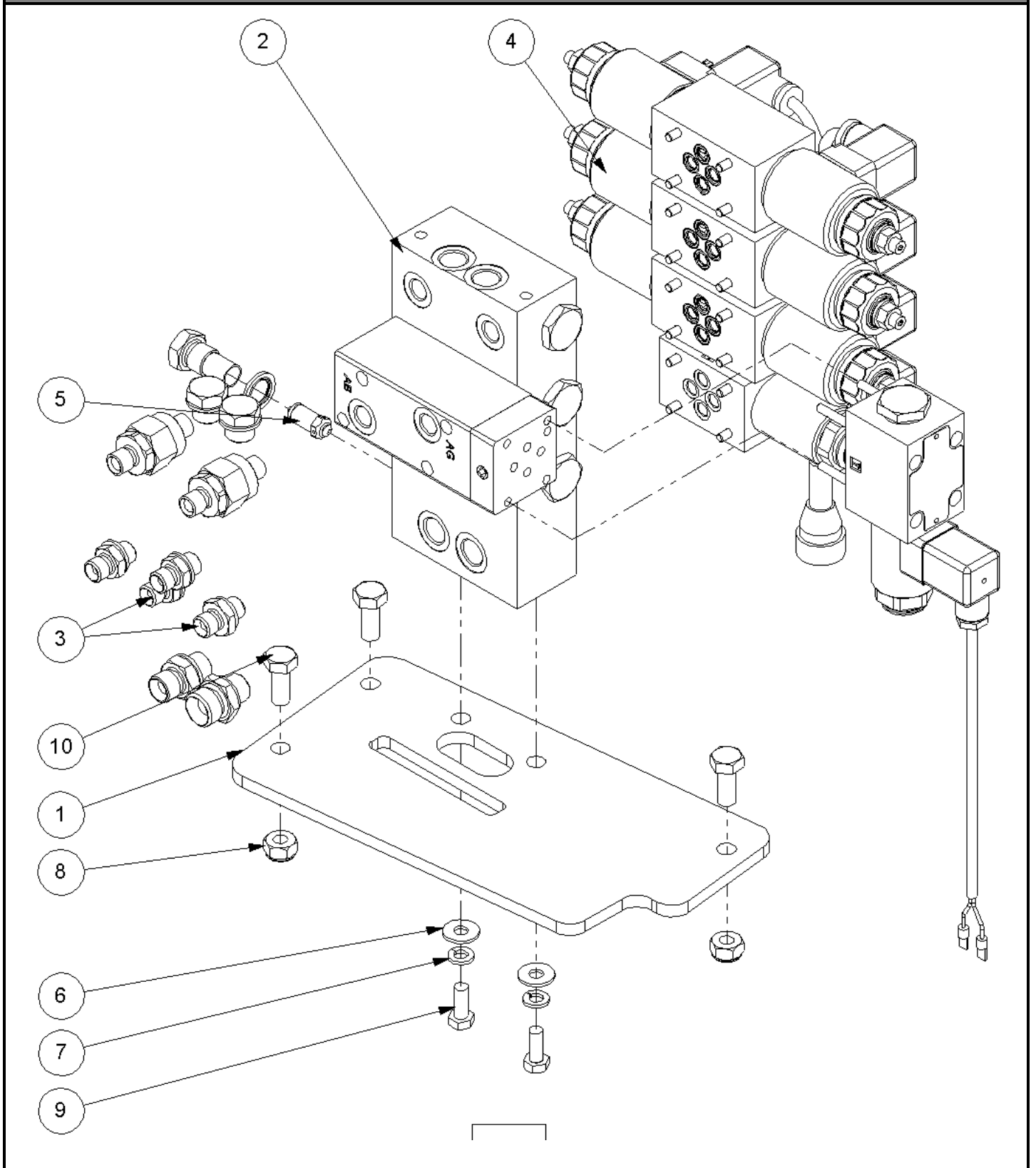
Ref	Part No	Description	Qty
1	08.943.01	VALVE	1
2	43177.29	LOOM	1
3	8650103	SEAL	1
4	8650106	SEAL	2
5	8650108	SEAL	1
6	05.434.01	ADAPTOR	1
7	04.056.02	ADAPTOR	1
8	8581264	ADAPTOR	1
9	02.714.05	ADAPTER	1
10	8581136	ADAPTOR	2
11	6000112	ADAPTOR	1
12	21352.11	PLATE	1
13	9213174	BOLT	2
14	9313054	SCREW	2
15	9163004	NUT	4
16	9100104	WASHER	2
17	8581436	ADAPTOR	1



08.943.01 - VALVE

Ref	Part No	Description	Qty
1	08.943.02	SEAL KIT	1
1	08.943.20	BODY ASSY	1
1	08.943.21	RELIEF VALVE	1
1	08.943.22	COIL	1
1	08.943.23	SOLENOID	1

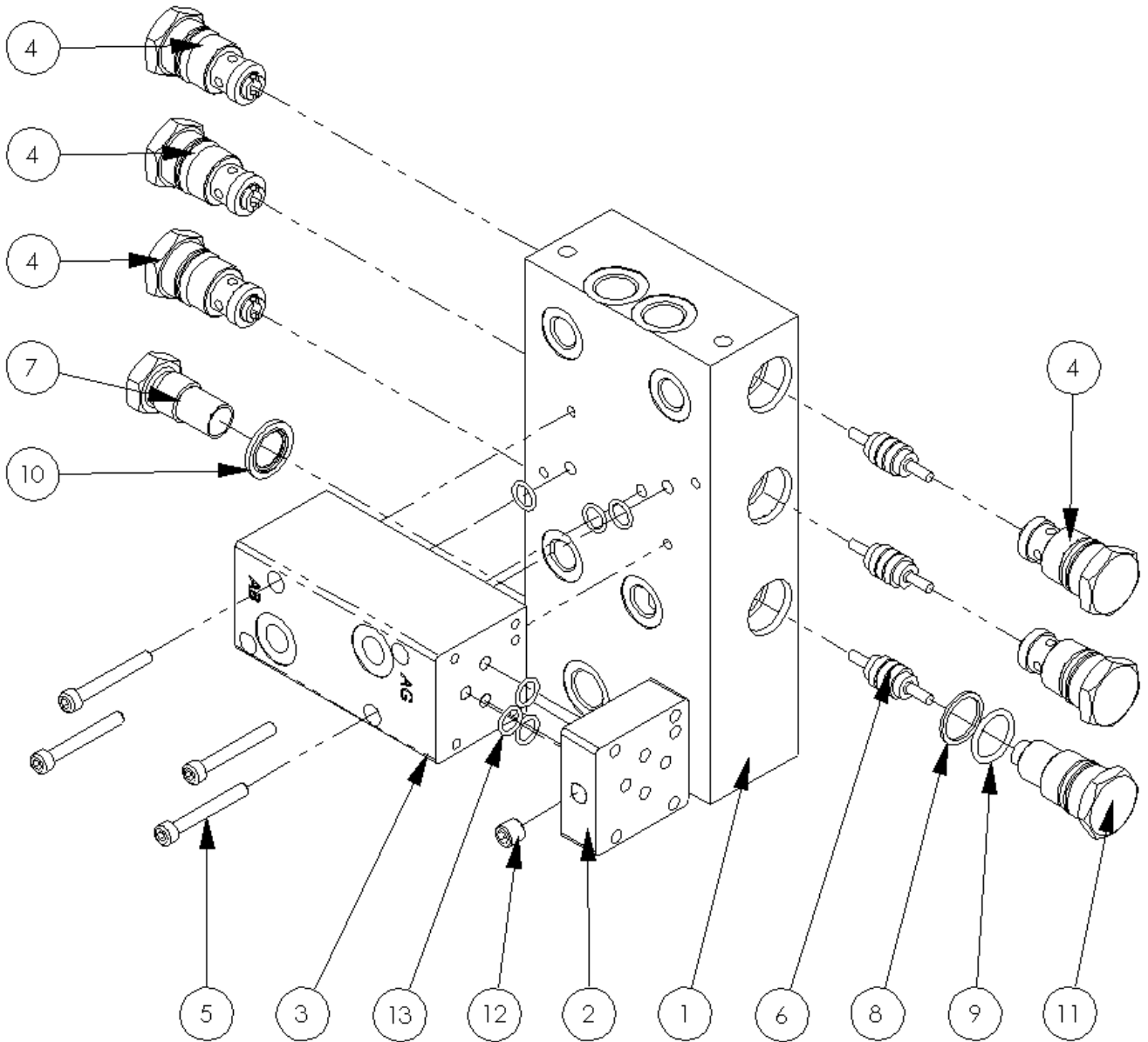
5045721 - VALVE ASSY



5045721 - VALVE ASSY

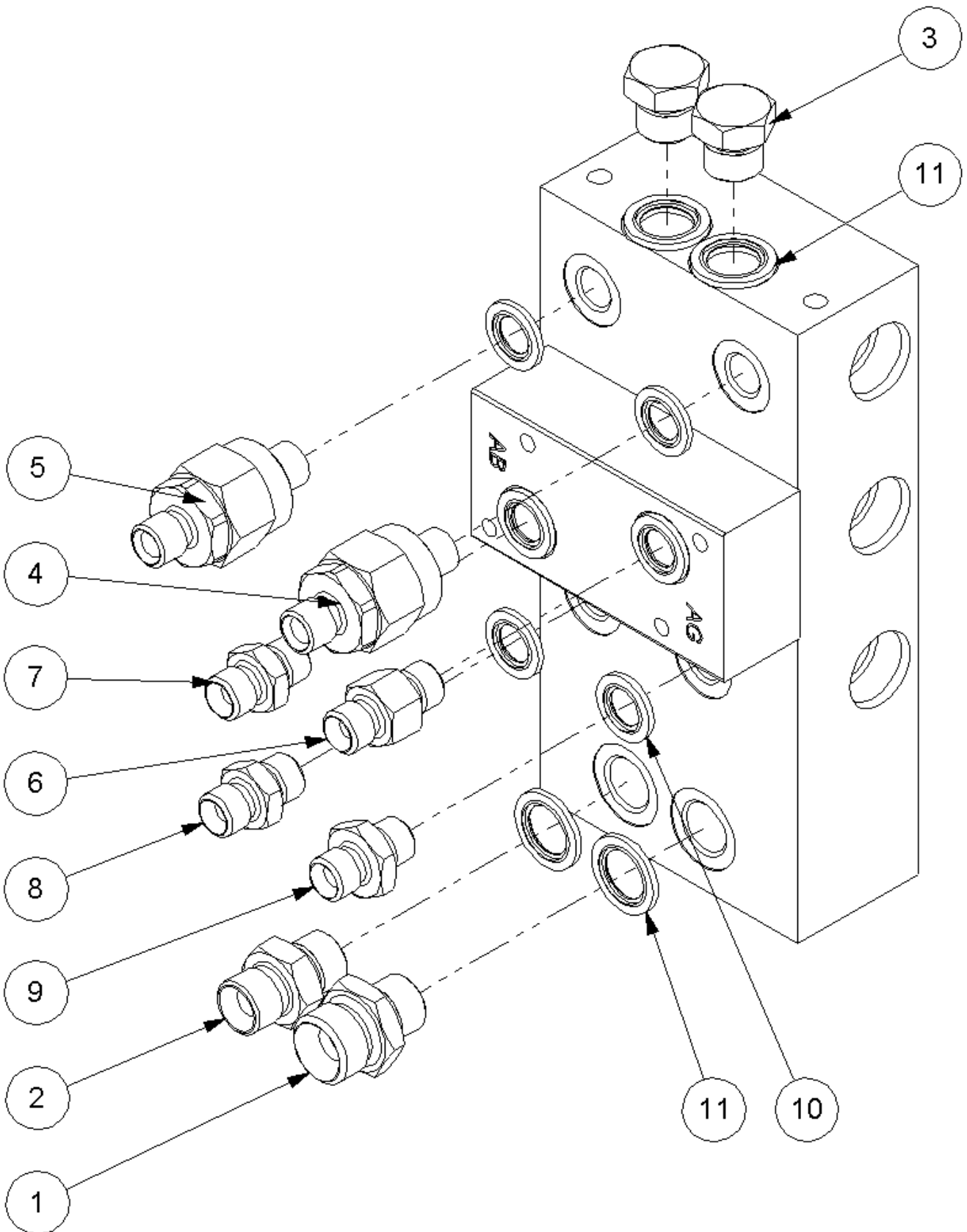
Ref	Part No	Description	Qty
1	22516.02	VALVE MTG PLATE	1
2	22523.05	MANIFOLD KIT 3 BANK	1
3	22524.34	ADAPTOR KIT	1
4	22525.57	SOLENOID	1
5	8130092	VALVE	1
6	9100104	WASHER	2
7	9100204	WASHER	2
8	9163005	NUT	3
9	9313044	SCREW	2
10	9313055	SCREW	3

22523.05 B - MANIFOLD KIT 3 BANK



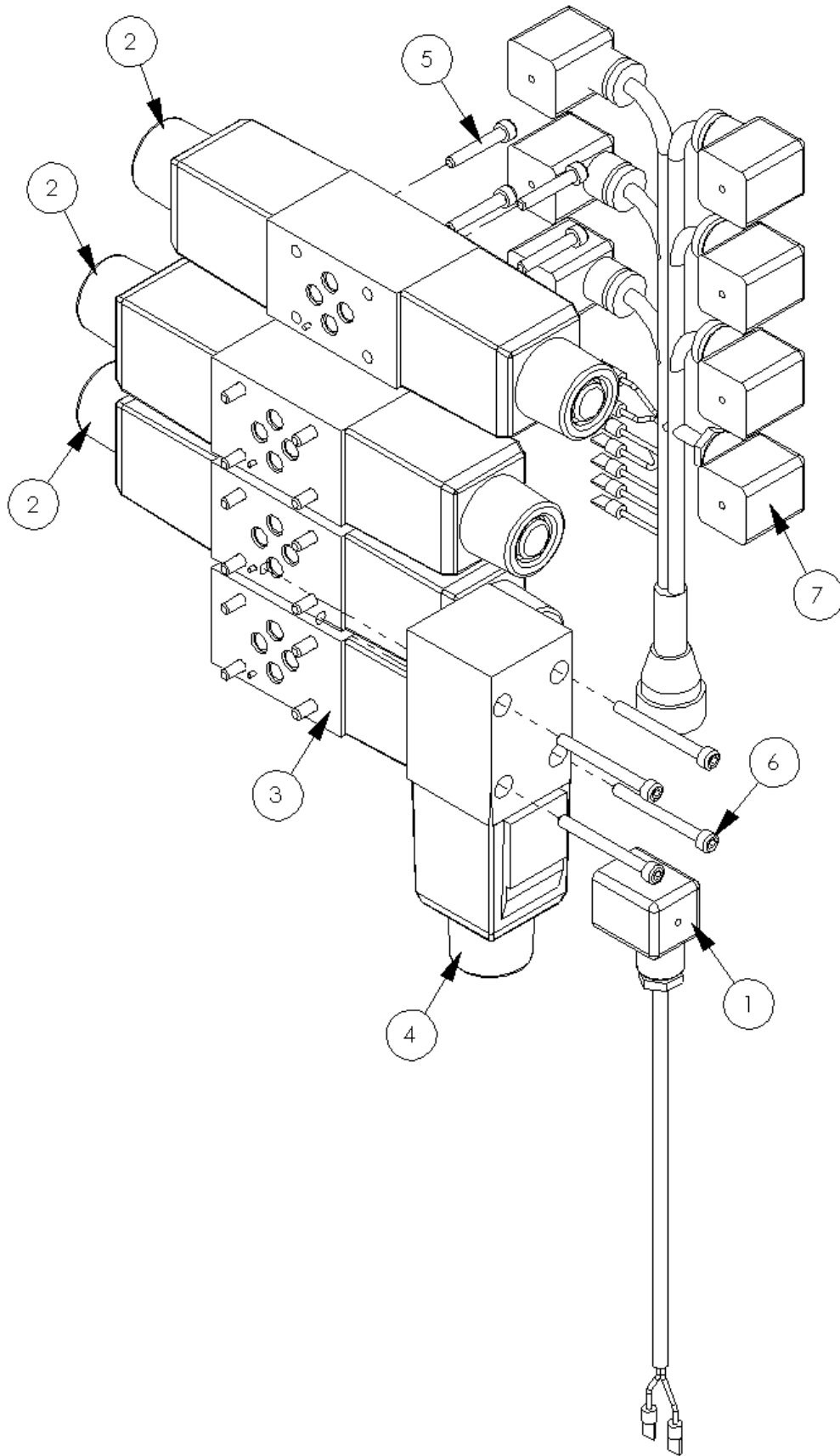
22523.05 B - MANIFOLD KIT 3 BANK

Ref	Part No	Description	Qty
1	8130321	BLOCK	1
2	8126334	PLATE	1
3	8126333	BLOCK	1
4	8130090	VALVE	5
5	9243082	SCREW	4
6	8130087	ACTUATOR	3
7	8130032	CAP	1
8	8709644	ANTI.EXT.RING	1
9	8700644	"O" RING	1
10	8650103	SEAL	1
11	8130078	CAP	1
12	8582041	PLUG	1
13	8700511	"O" RING	6



22524.34 - ADAPTOR KIT

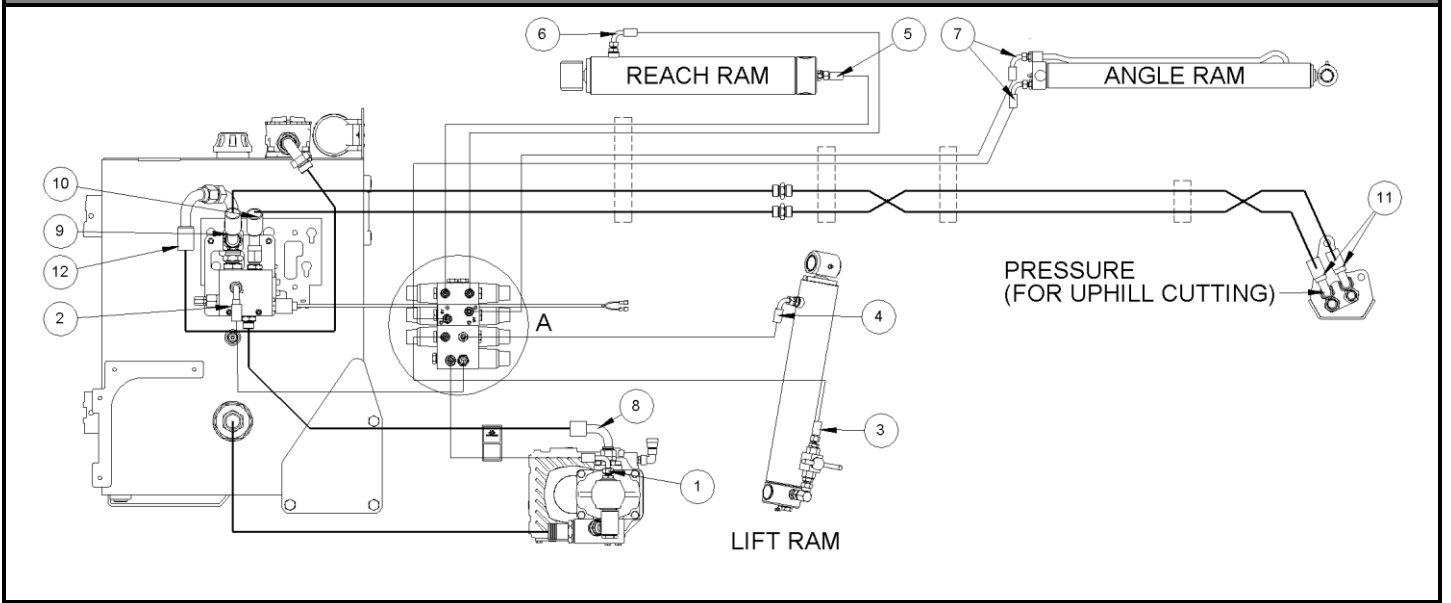
Ref	Part No	Description	Qty
1	6000112	ADAPTOR	1
2	6000113	ADAPTOR	1
3	8003001	PLUG	2
4	8123088	RESTRICTOR	1
5	8123090	RESTRICTOR	1
6	8130037	RESTRICTOR	1
7	8130038	RESTRICTOR	1
8	8130105	RESTRICTOR	1
9	8581169	ADAPTOR	1
10	8650102	SEAL	6
11	8650103	SEAL	4



22525.57 - SOLENOID

Ref	Part No	Description	Qty
1	8402338	LOOM	1
2	23550.01	VALVE	3
3	23550.03	VALVE	1
4	23550.05	DCV	1
7	41844.02	LOOM	1

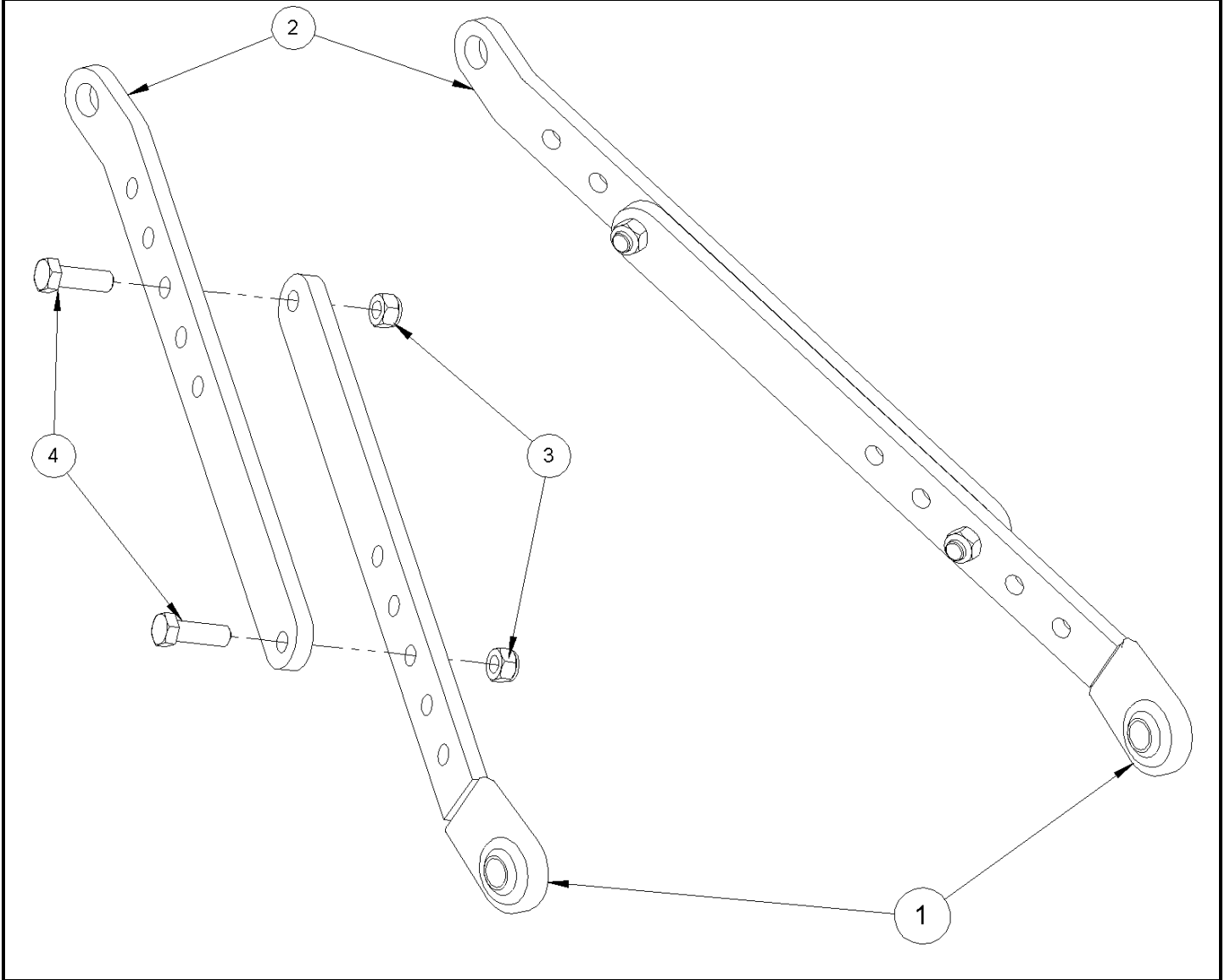
504572217 - HOSE KIT



504572217 - HOSE KIT

Ref	Part No	Description	Qty
1	10.004.12	HOSE	1
2	10.006.07	1/2" HOSE STX90 350	1
3	10.001.18	HOSE	1
4	10.002.18	HOSE	1
5	10.001.33	HOSE	1
6	10.002.38	HOSE	1
7	10.002.49	1/4"BSP FS/FS90 3900	2
8	10.010.13	3/4" HOSE	1
9	10.021.25	3/4" HOSE	1
10	10.021.26	HOSE	1
11	10.010.43	HOSE	2
12	10.012.23	HOSE	1

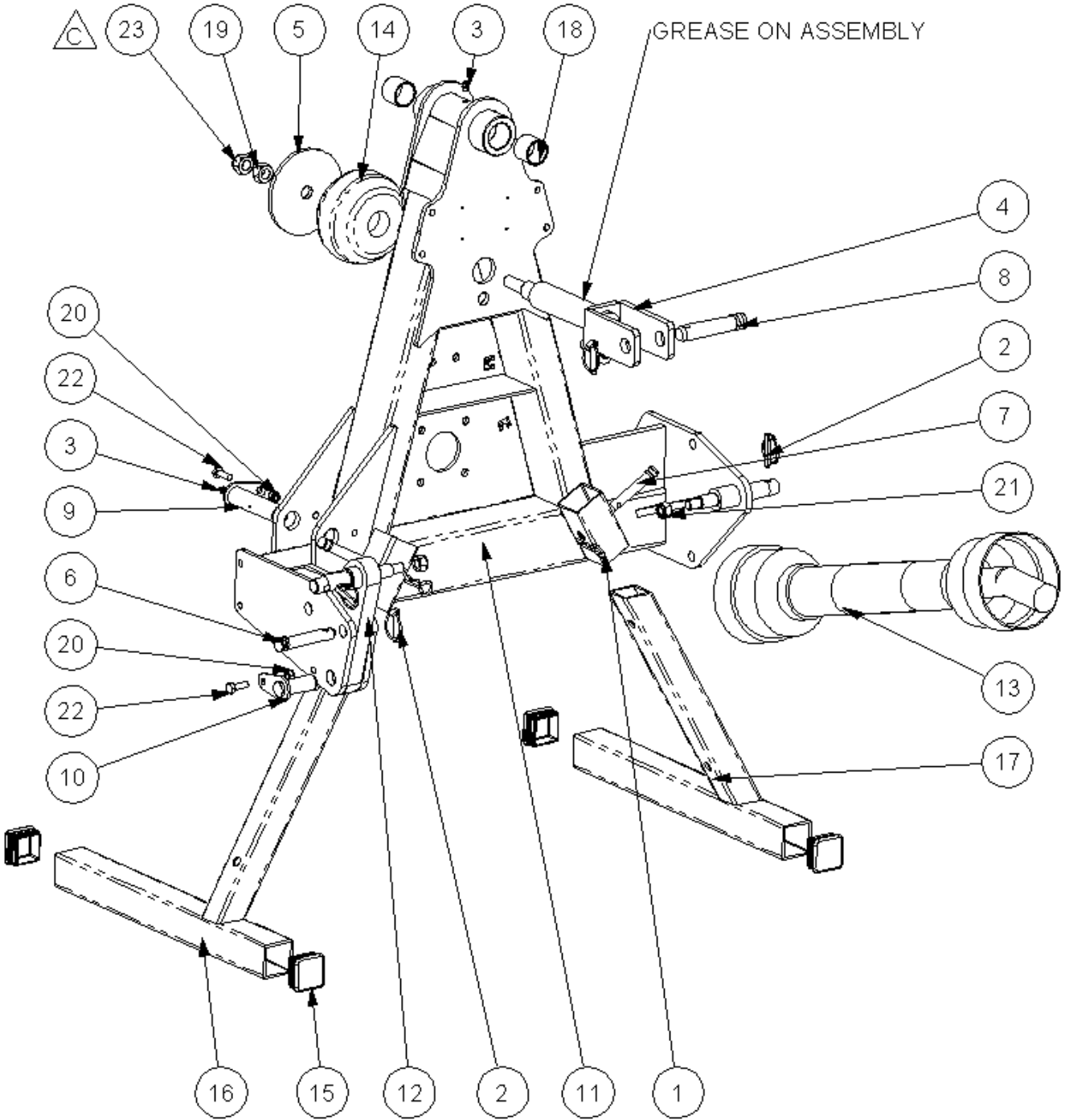
7146711 B - STABILIZER MODULE



7146711 B - STABILIZER MODULE

Ref	Part No	Description	Qty
1	42366.06	STABILIZER	2
2	42366.07	STABILIZER	2
3	9163007	NUT	4
4	9213107	BOLT	4

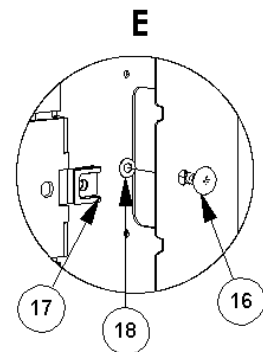
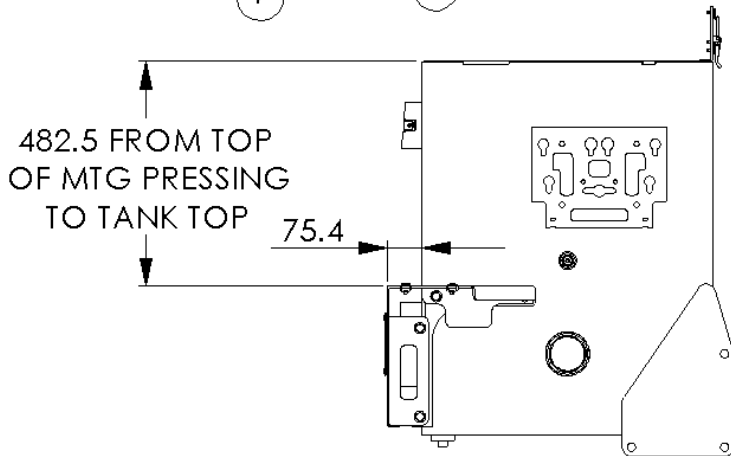
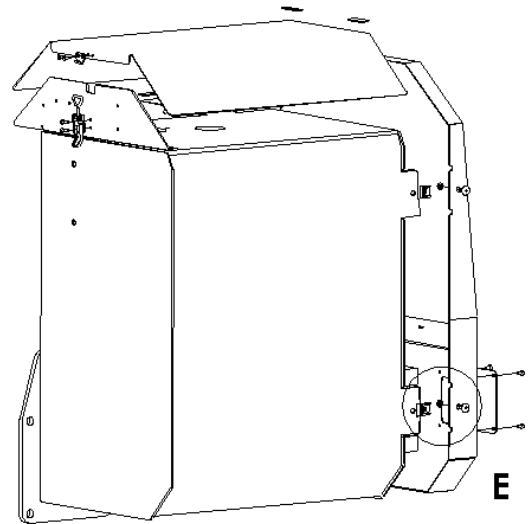
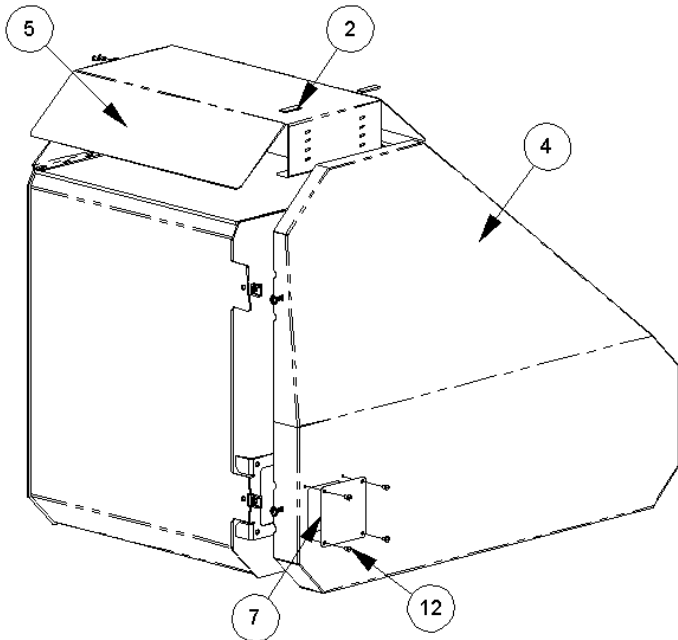
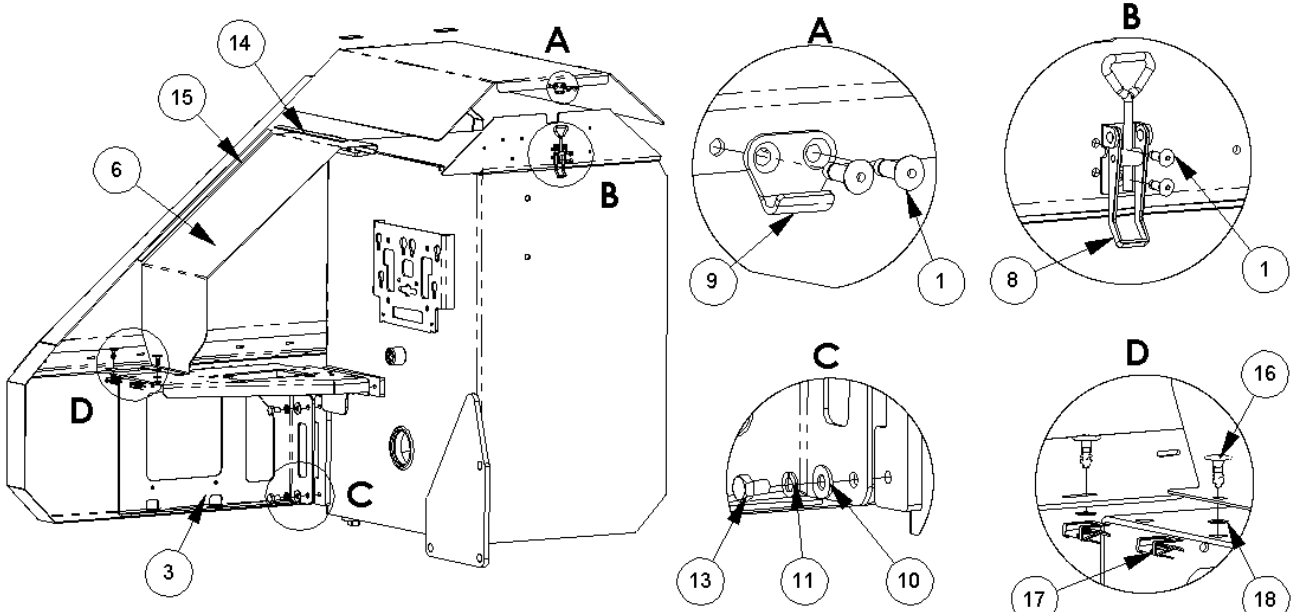
7147703 C - MAIN FRAME MODULE



7147703 C - MAIN FRAME MODULE

Ref	Part No	Description	Qty
1	0431105	PIN	2
2	0431217	PIN	4
3	0901121	GREASER	2
4	21557.01	BRACKET	1
5	21558.01	PLATE	1
6	21770.01	PIN	1
7	21997.01	PIN	2
8	41267.06	PIN	1
9	41692.03	PIN	1
10	41693.06	PIN	1
11	41860.10	MAINFRAME	1
12	42350.01	LINK	1
13	7114289	PTO SHAFT	1
14	7135033	SPRING	1
15	7191108	BUNG	4
16	7198016	LEG	1
17	7198046	LEG -LH	1
18	7213023	BUSH	2
19	9113008	NUT	1
20	9163005	NUT	2
21	9163007	NUT	2
22	9313065	SCREW	2
23	9163008	NUT	1

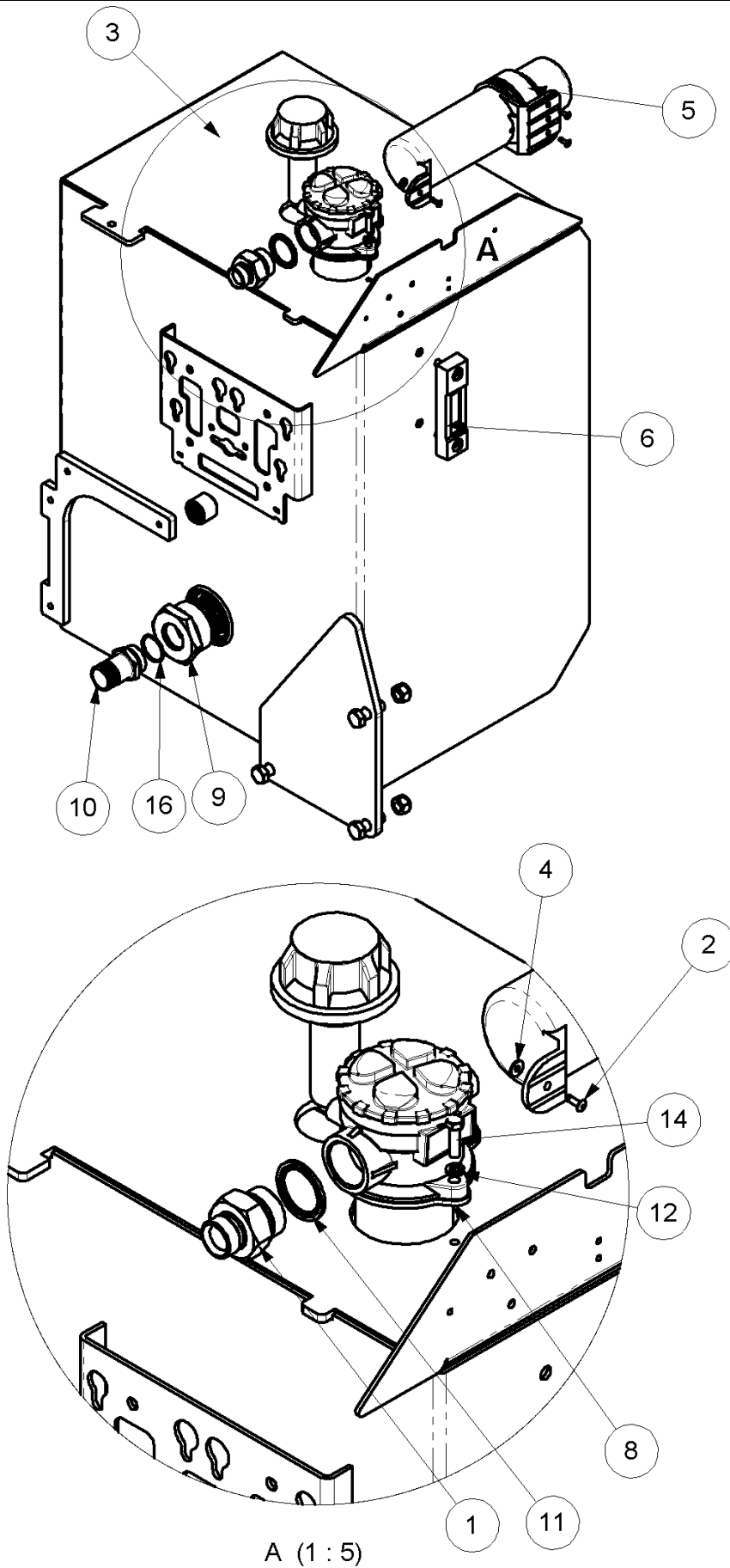
7147715Y - RH COVERS MODULE



7147715Y - RH COVERS MODULE

Ref	Part No	Description	Qty
1	21612.01	RIVET	4
2	21726.31	PAD	2
3	22472.02Y	COVER -RH	1
4	22476.04Y	COVER -RH	1
5	22477.03Y	COVER	1
6	22513.02Y	COVER -RH	1
7	22531.01Y	PLATE	1
8	43449.02	FASTENER	1
9	46007.01	HOOK	1
10	9100105	WASHER	4
11	9100205	WASHER	4
12	9300164	SCREW	4
13	9313035	SCREW	4
14	21726.34	FOAM STRIP	1
15	21726.35	FOAM STRIP	1
16	22549.01	STUD	4
17	22549.02	RECEPTACLE	4
18	22549.03	RETAINER	4

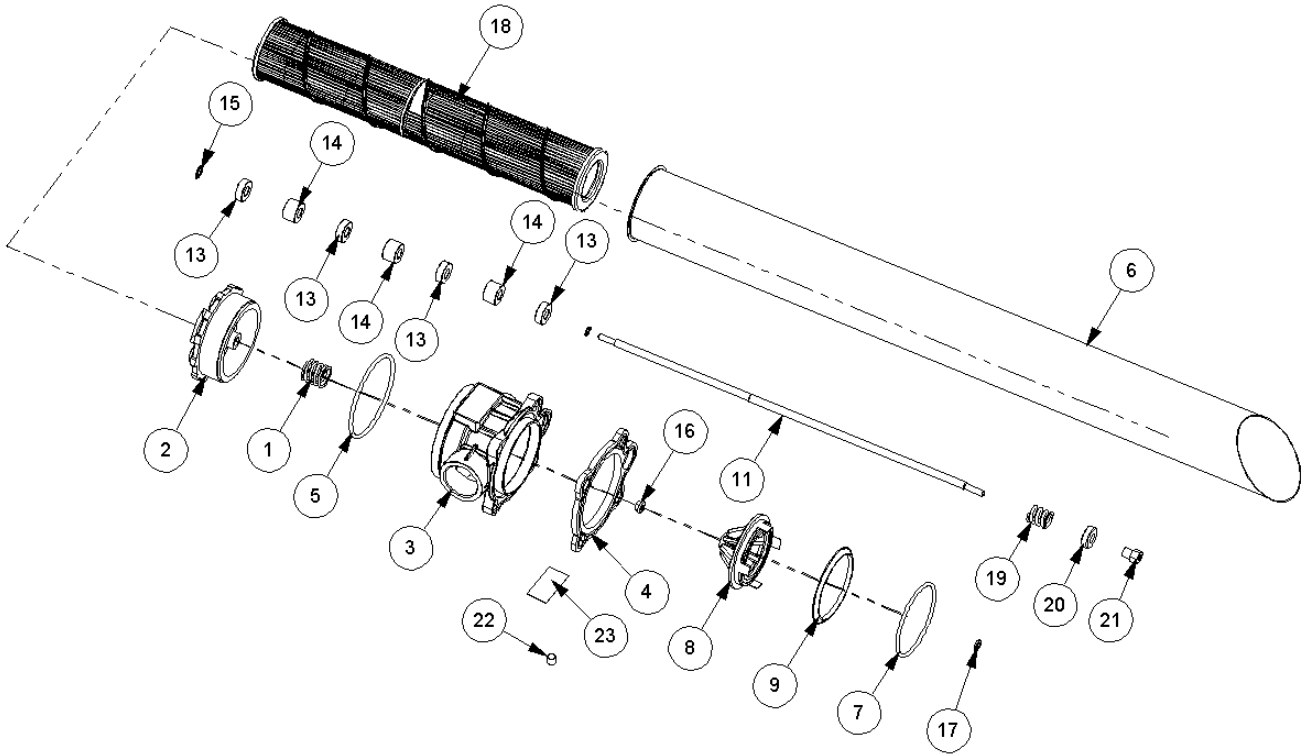
7150705 - TANK MODULE



7150705 - TANK MODULE

Ref	Part No	Description	Qty
1	05.131.01	ADAPTOR	1
2	21612.02	RIVET	3
3	22470.14	TANK -RH	1
4	22530.01	WASHER	3
5	46505.01	HOLDER	1
6	8401048	GAUGE	1
7	8401137	BREATHER	1
8	8401146	FILTER	1
9	8401097	STRAINER	1
10	8581260	ADAPTOR	1
11	8650109	SEAL	1
12	8650310	SEAL	4
13	9163007	NUT	3
14	9343075	SCREW	4
15	9313097	SCREW	3
16	8700784	"O" RING	1

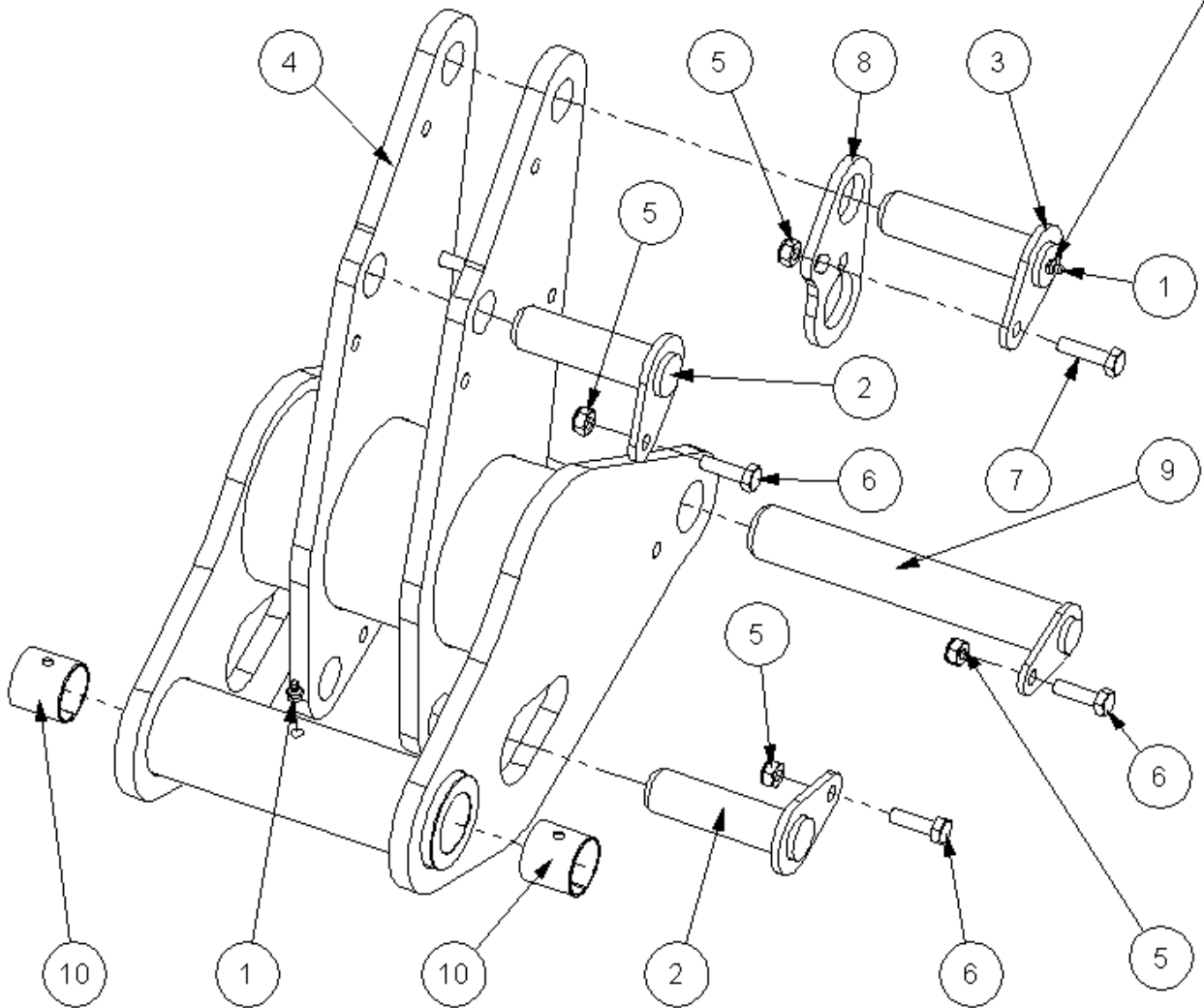
8401146 - FILTER



8401146 - FILTER

Ref	Part No	Description	Qty
1	8401092	SPRING	1
2	212.013.04	FILLER CAP	1
3	8401142	FILTER HOUSING	1
4	8401143	FILTER SEAL	1
5	8700092	O RING	1
7	8700235	O RING	1
8	8401104	HOUSING	1
9	8401157	SEAL	1
10	8401103	SEAL	1
11	8401149	TIE ROD	1
12	8401151	BYPASS CIRCLIP	1
13	8401147	BYPASS MAGNET	4
14	8401148	BYPASS SPACER	3
15	8401152	RETAINING RING	1
16	8401153	TIE ROD NUT	1
17	8401154	TIE ROD WASHER	1
18	8401089	OIL FILTER	1
19	8401150	BYPASS SRING	1
20	8401155	LOCKING RING	1
21	8401156	BYPASS NUT	1
22	8401166	FILTER GRUB SCREW	1
23	8401167	IDENTIFICATION PLATE	1

**NOTE POSITION OF
PIN FITTED
WITH GREASER**

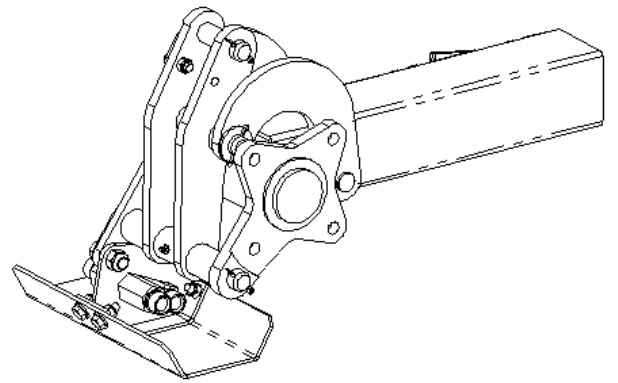
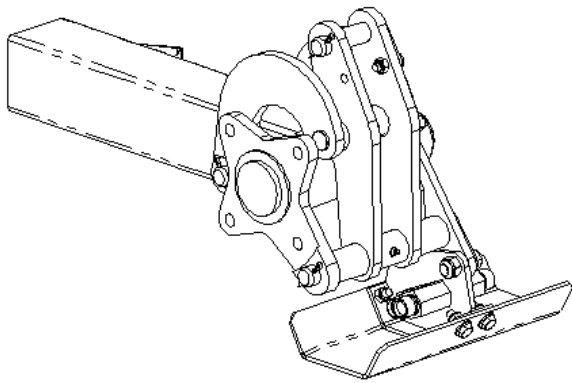
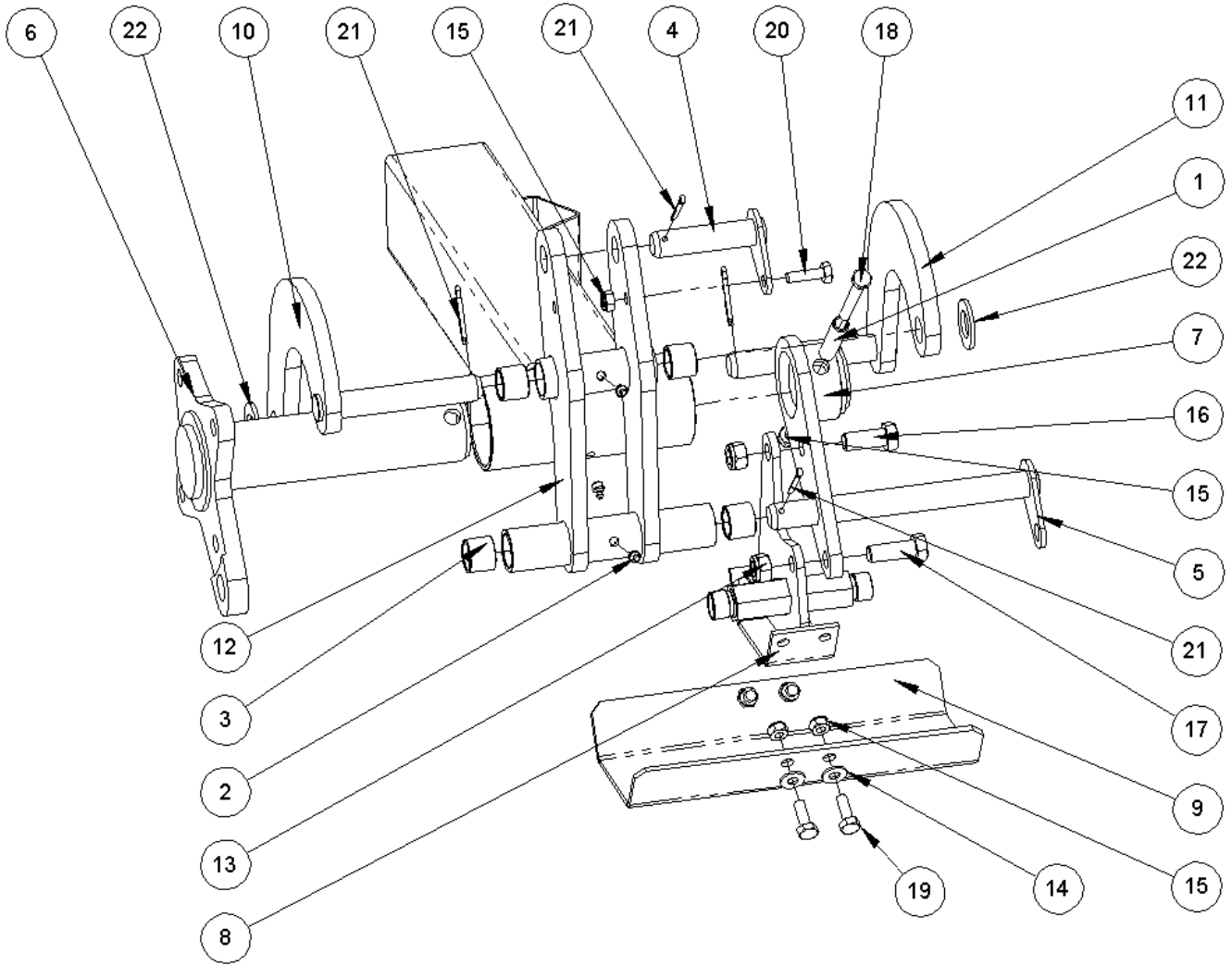


SHOWN ASSEMBLED FOR
LEFT HAND BUILD.

7150815 - ROCKER MODULE

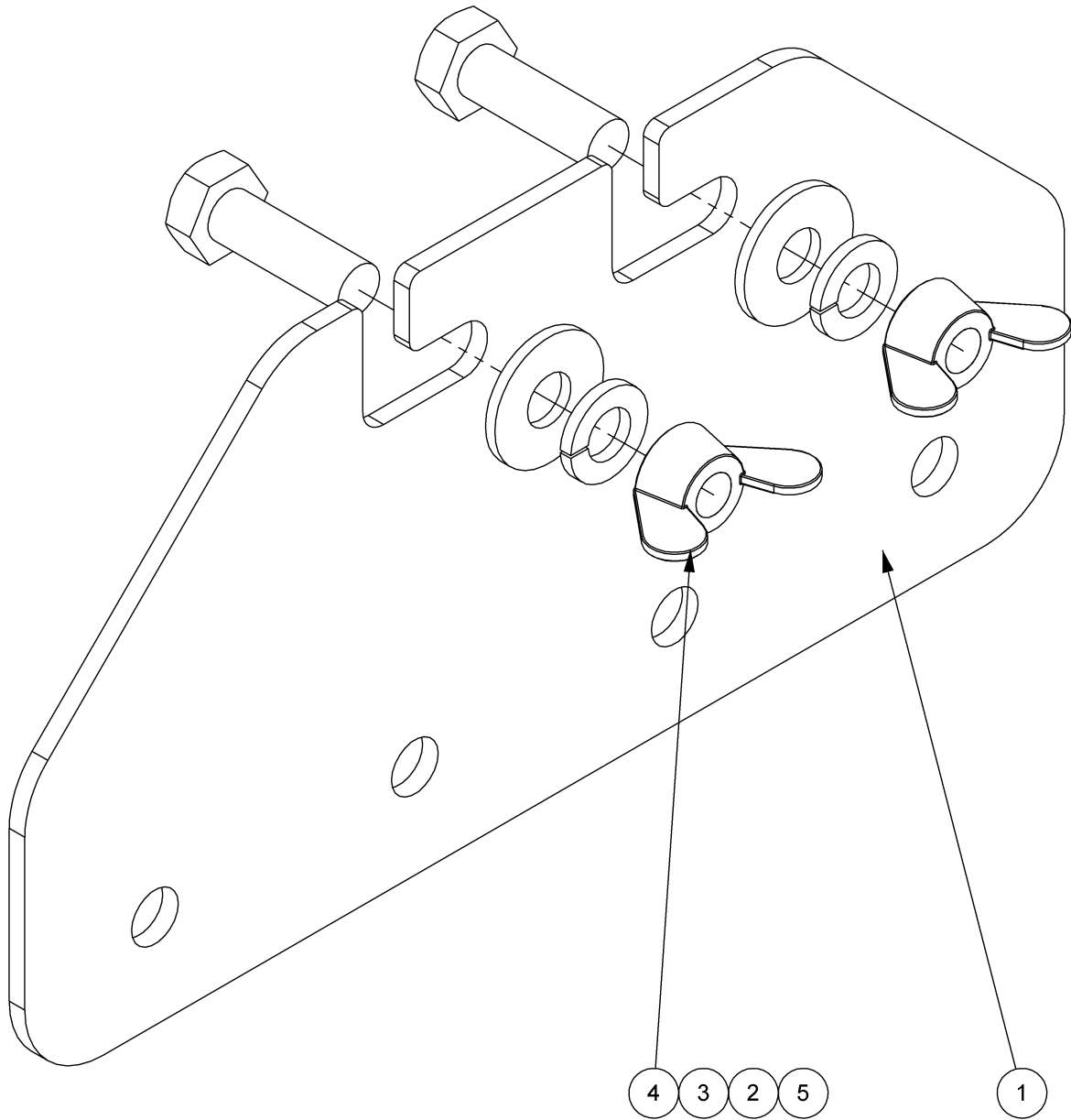
Ref	Part No	Description	Qty
1	0901121	GREASER	2
2	41692.12	PIN	2
3	41692.15	PIN	1
4	45445.04	ROCKER W.A	1
5	9163005	NUT	4
6	9313075	SCREW	3
7	9313085	SCREW	1
8	22667.01	SLINGING EYE	1
9	7191033	PIN	1
10	7115208	BUSH	2

7170702 C - ANGLING MODULE



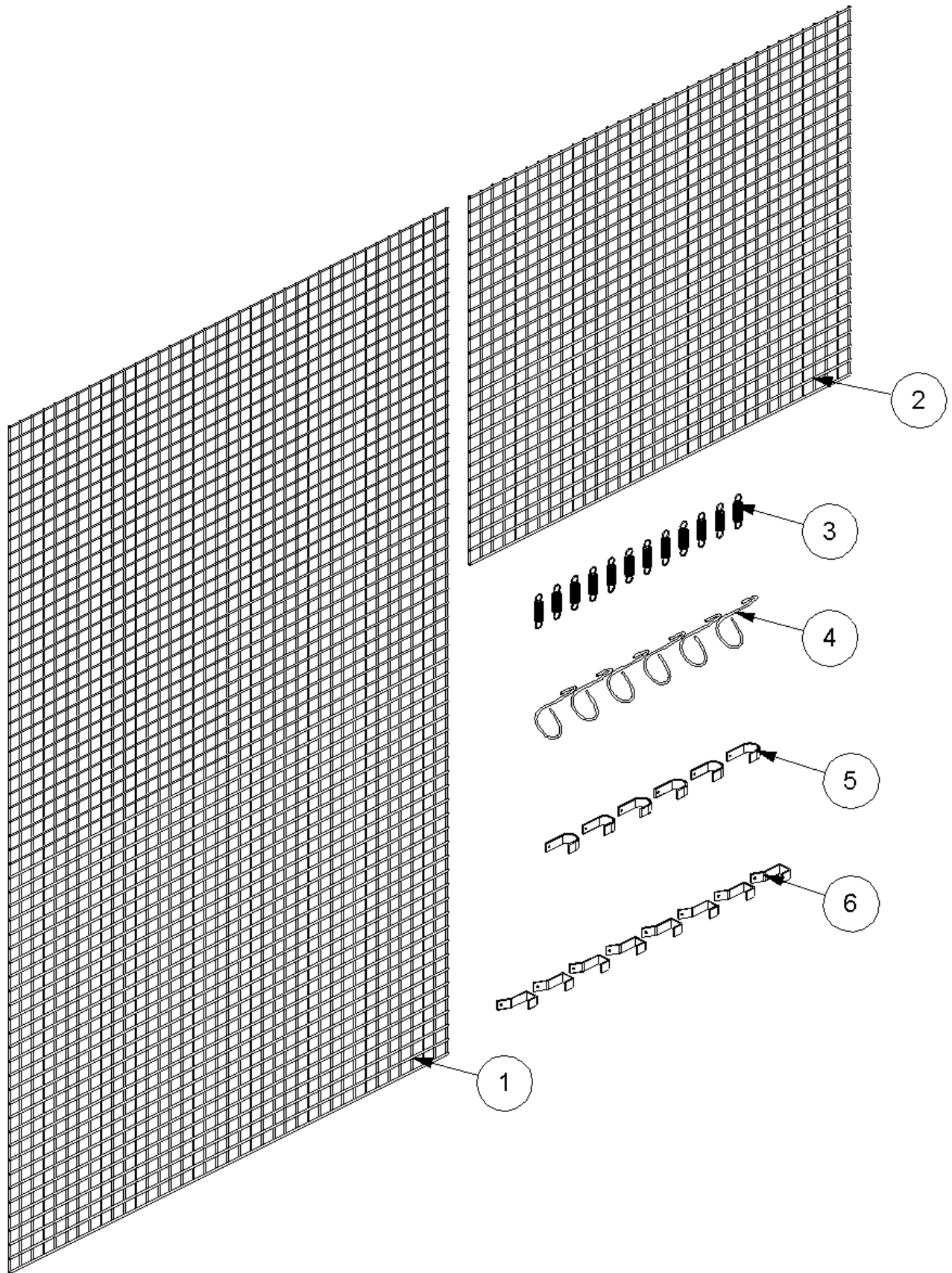
7170702 C - ANGLING MODULE

Ref	Part No	Description	Qty
1	0423548	PIN	1
2	0901121	GREASER	3
3	41690.01	BUSH	4
4	41693.01	PIN	1
5	7192009	PIN	1
6	7192308	TUBE	1
7	7192316	PLATE	1
8	7192321	BRACKET	1
9	7198333	TRAY	1
10	7450250	7450250Y/B	1
11	7450251	USE 7450251Y/B	1
12	7450252	LINK	1
13	T7942	NUT	2
14	9100105	WASHER	4
15	9163005	NUT	6
16	30.073.25	BOLT	1
17	9200028	BOLT	1
18	9213185	BOLT	1
19	9313065	SCREW	4
20	9313075	SCREW	1
21	9501406	PIN	4
22	0100109	WASHER	2



7313282 B - CAB CTRL MTG MOD

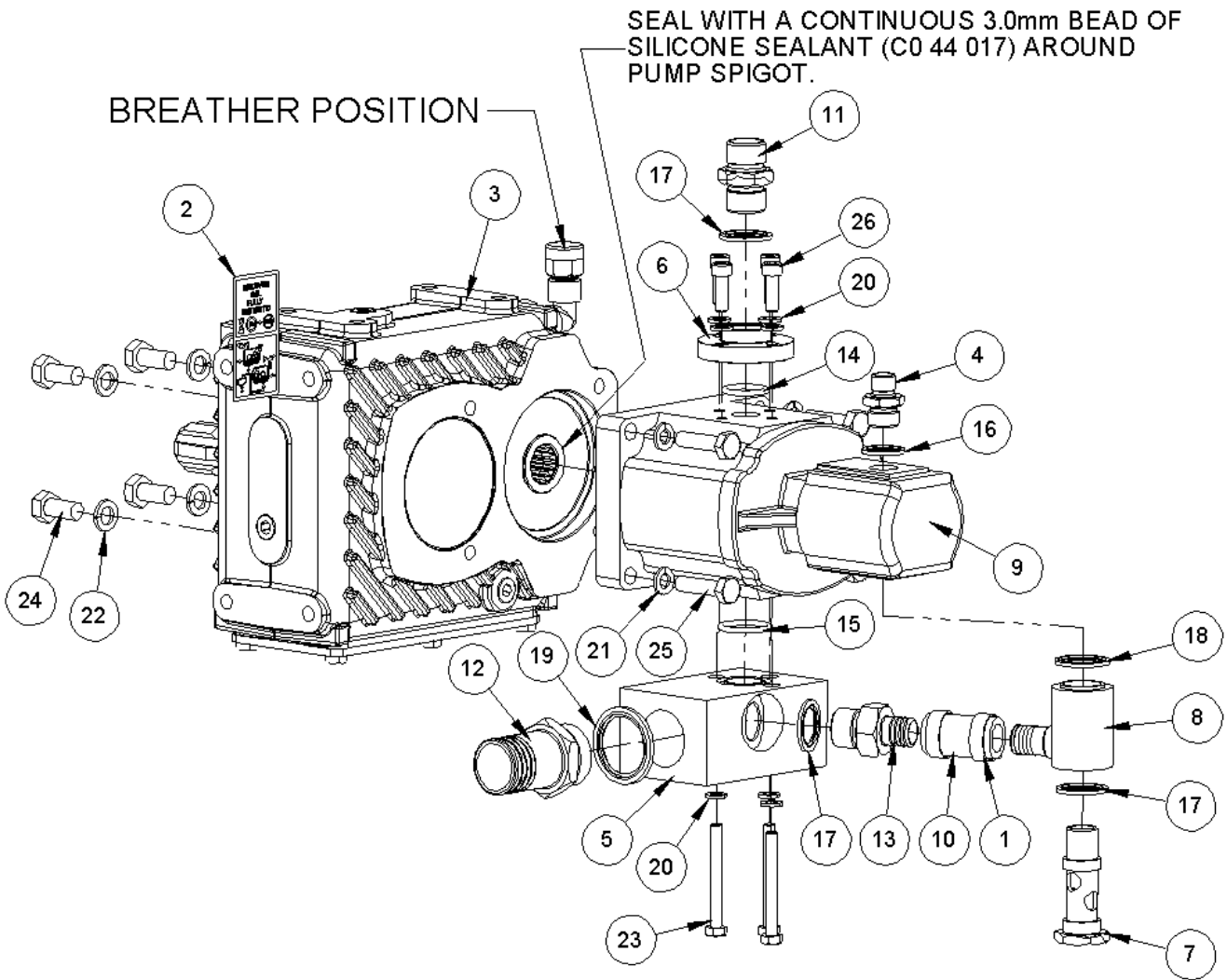
Ref	Part No	Description	Qty
1	42491.01	PLATE	1
2	9100104	WASHER	2
3	9100204	WASHER	2
4	9193004	NUT	2
5	9313054	SCREW	2



7313324 D - GUARD KIT

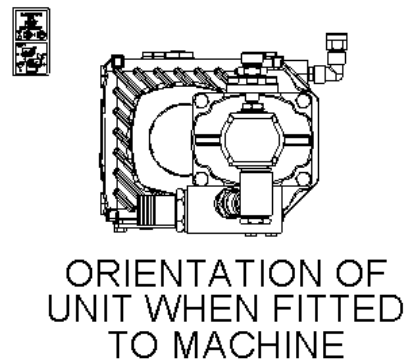
Ref	Part No	Description	Qty
1	7313049	GUARD PANEL	1
2	7313050	GUARD PANEL	1
3	6001064	SPRING	12
4	6001065	HOOK	6
5	41587.01	GUARD HOOK	6
6	41745.01	HOOK	8

8013505 E - PUMP & GEARBOX



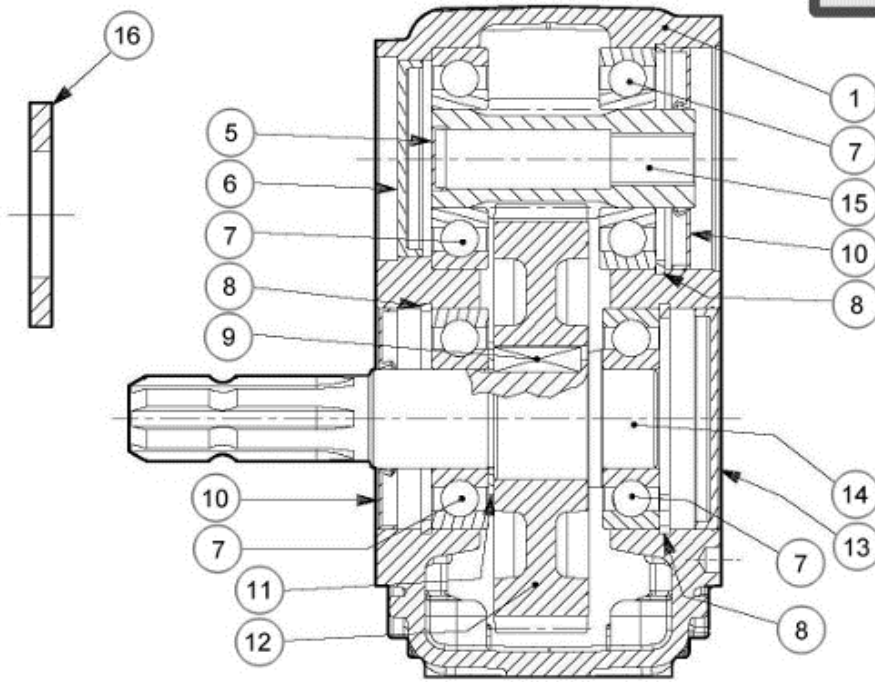
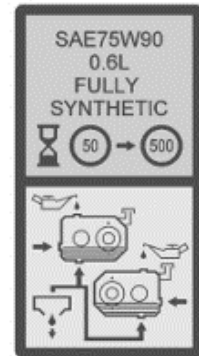
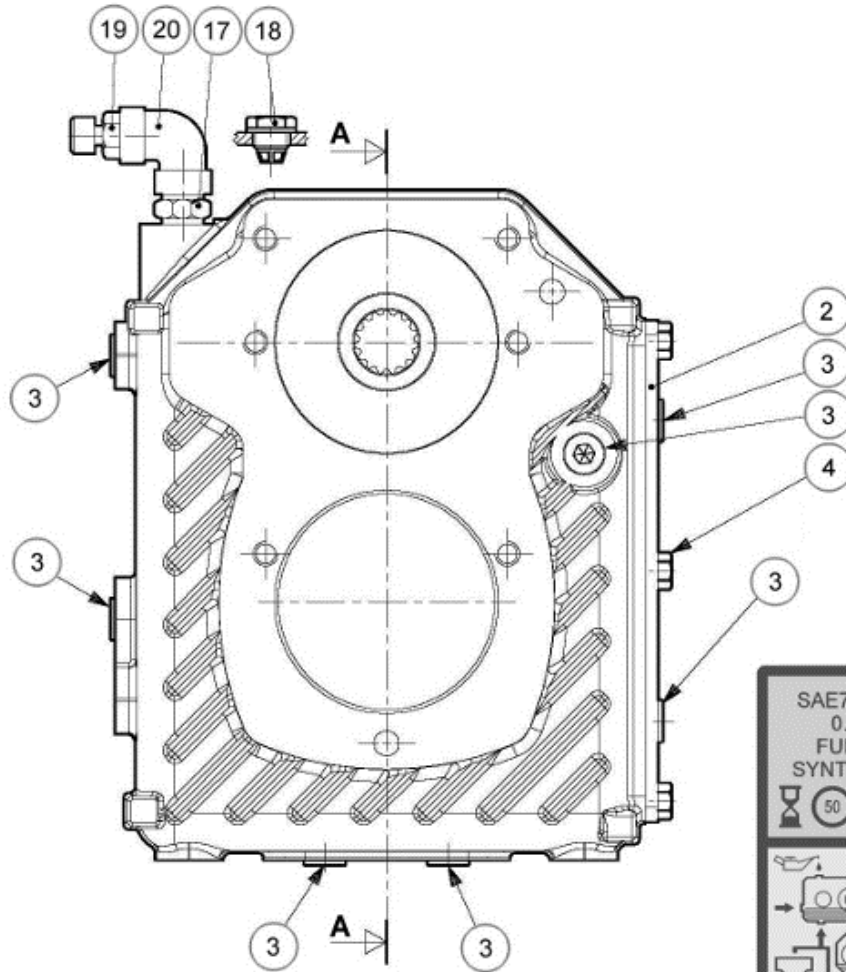
GEARBOX NOTES:-
 OIL REQUIREMENT
 0.6 LTR OF SAE 75W90 FULLY SYNTHETIC OIL

SEALANTS
 TAPER PLUGS. LOCTITE 575
 COVER PLATE. LOCTITE 574 FLANGE SEALANT.



8013505 E - PUMP & GEARBOX

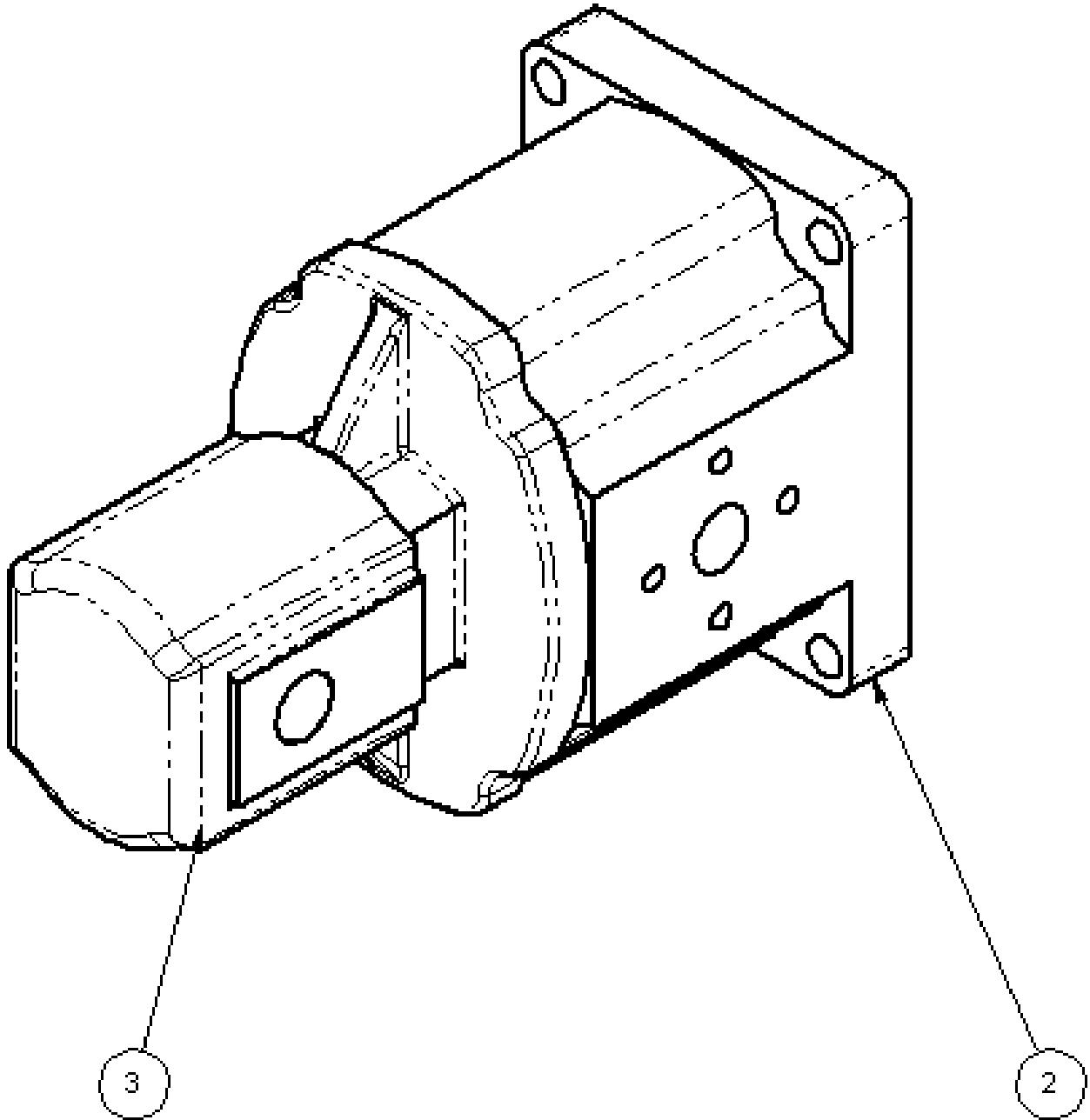
Ref	Part No	Description	Qty
1	0904103	CLIP	2
2	1291025	DECAL	1
3	22927.05	GEARBOX 4.23 :1 RATIO 13T	1
4	6000112	ADAPTOR	1
5	7192372	SUCTION BLOCK	1
6	8013088	FLANGE	1
7	8013095	BANJO BOLT	1
8	8013096	BANJO	1
9	8201466	PUMP	1
10	8501213	HOSE	1
11	8581136	ADAPTOR	1
12	8581260	ADAPTOR	1
13	8581301	ADAPTOR	1
14	8600119	"O" RING	1
15	8600122	"O" RING	1
16	8650104	SEAL	1
17	8650106	SEAL	3
18	8650107	SEAL	1
19	8650109	SEAL	1
20	9100204	WASHER	7
21	9100205	WASHER	4
22	9100206	WASHER	4
23	9213144	BOLT	3
24	9313056	SCREW	4
25	9313085	SCREW	4
26	9343054	SCREW	4



Section 'A' View

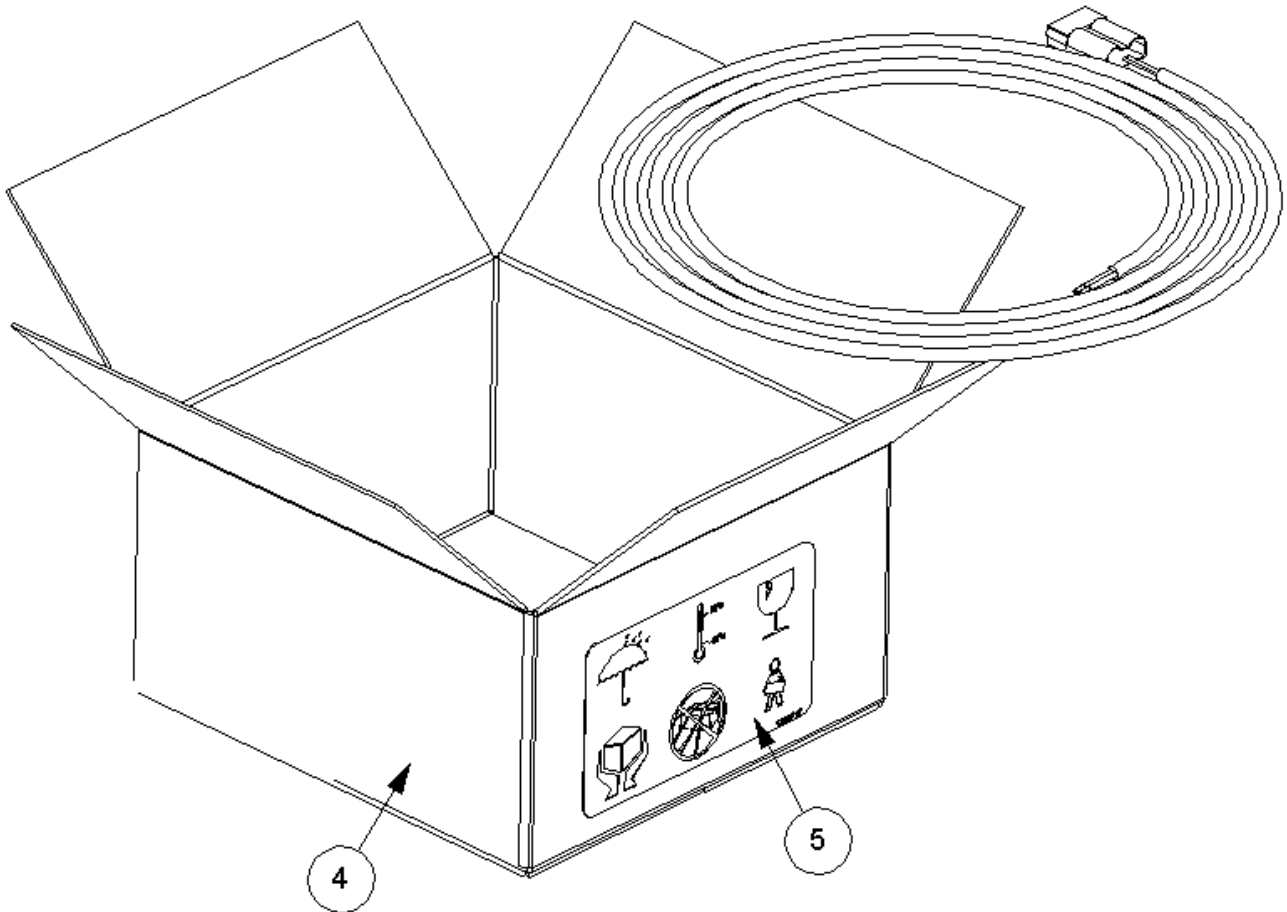
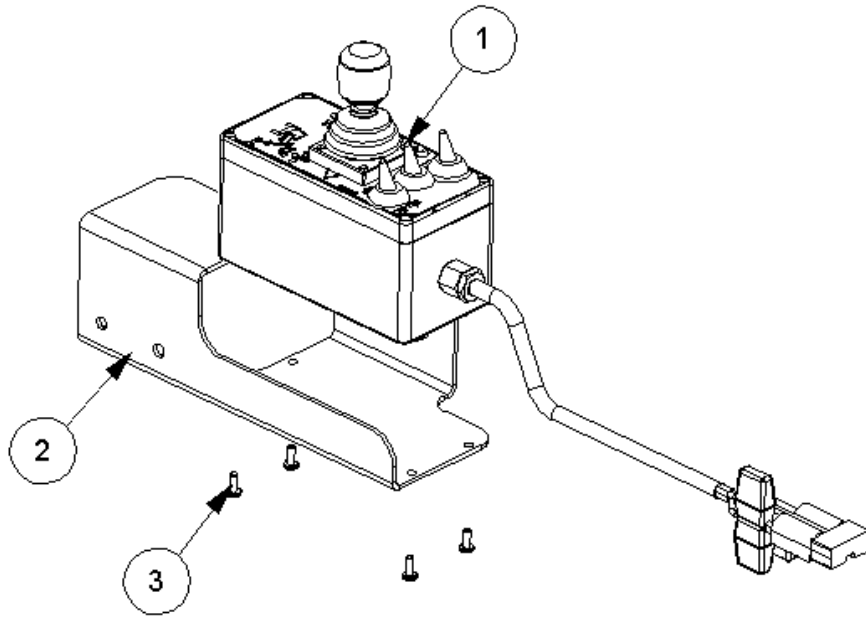
22927.05 - GEARBOX 4.23 :1 RATIO 13T

Ref	Part No	Description	Qty
1	22927.31	CASING	1
2	22927.32	COVER	1
3	22927.33	PLUG	9
4	22927.34	BOLT	6
5	22927.35	CAP	1
6	22927.36	CAP	1
7	22927.37	BALL BEARING	4
8	22927.38	SNAP RING	3
9	22927.39	KEY	1
10	21459.55	SEAL	2
11	22927.40	SHIM	1
12	22927.41	GEAR	1
13	22927.43	CAP	1
14	22927.44	INPUT SHAFT	1
15	22927.45	PINION	1
16	22927.47	SPACER	1
17	22927.48	CONNECTOR	1
18	22927.49	PLUG	1
19	8013568	PLUG	1
20	22927.50	ELBOW	1



8201466 - PUMP

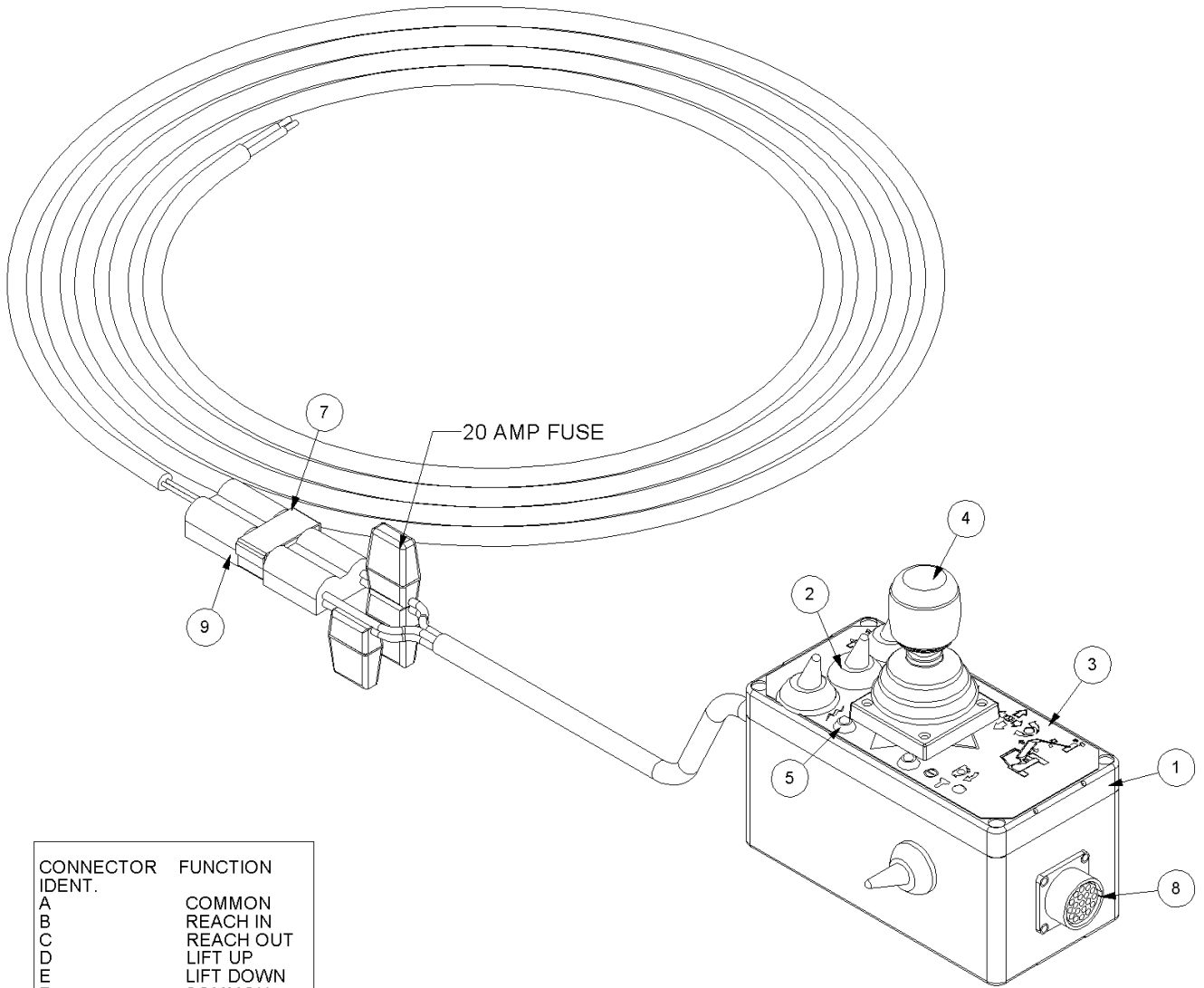
Ref	Part No	Description	Qty
1	8699231	SEAL KIT	0
2	8201684	HYD PUMP F-HALF	1
3	8201677	PUMP REAR - 8201466	1



8402920 - CONTROL MODULE

Ref	Part No	Description	Qty
1	8402404	CONTROL BOX	1
2	42442.03	BRACKET	1
3	2800243	SCREW	4
4	8402701	BOX	1
5	1290717	DECAL	1

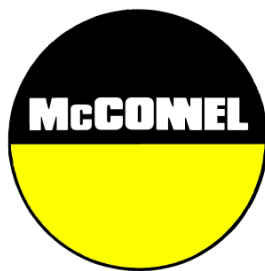
8402404 B - CONTROL BOX



CONNECTOR IDENT.	FUNCTION
A	COMMON
B	REACH IN
C	REACH OUT
D	LIFT UP
E	LIFT DOWN
F	COMMON
J	ANGLE DOWN
K	ANGLE UP
N	COMMON
P	ANGLE FLOAT
R	LIFT FLOAT
S	PUMP 1
T	DIVERTER
V	CUT-OFF

8402404 B - CONTROL BOX

Ref	Part No	Description	Qty
1	8402400	BOX	0
2	8402024	COVER	0
3	1290748	DECAL	0
4	8402246	USE 8402405	0
5	41845.41	LED	0
6	8402149	GLAND	0
7	43022.47	LOOM	0
8	8402189	SHELL	0
9	8402237	LOOM	0



McConnel Limited, Temeside Works, Ludlow, Shropshire SY8 1JL. England.
Telephone: 01584 873131. Facsimile: 01584 876463. www.mcconnel.com