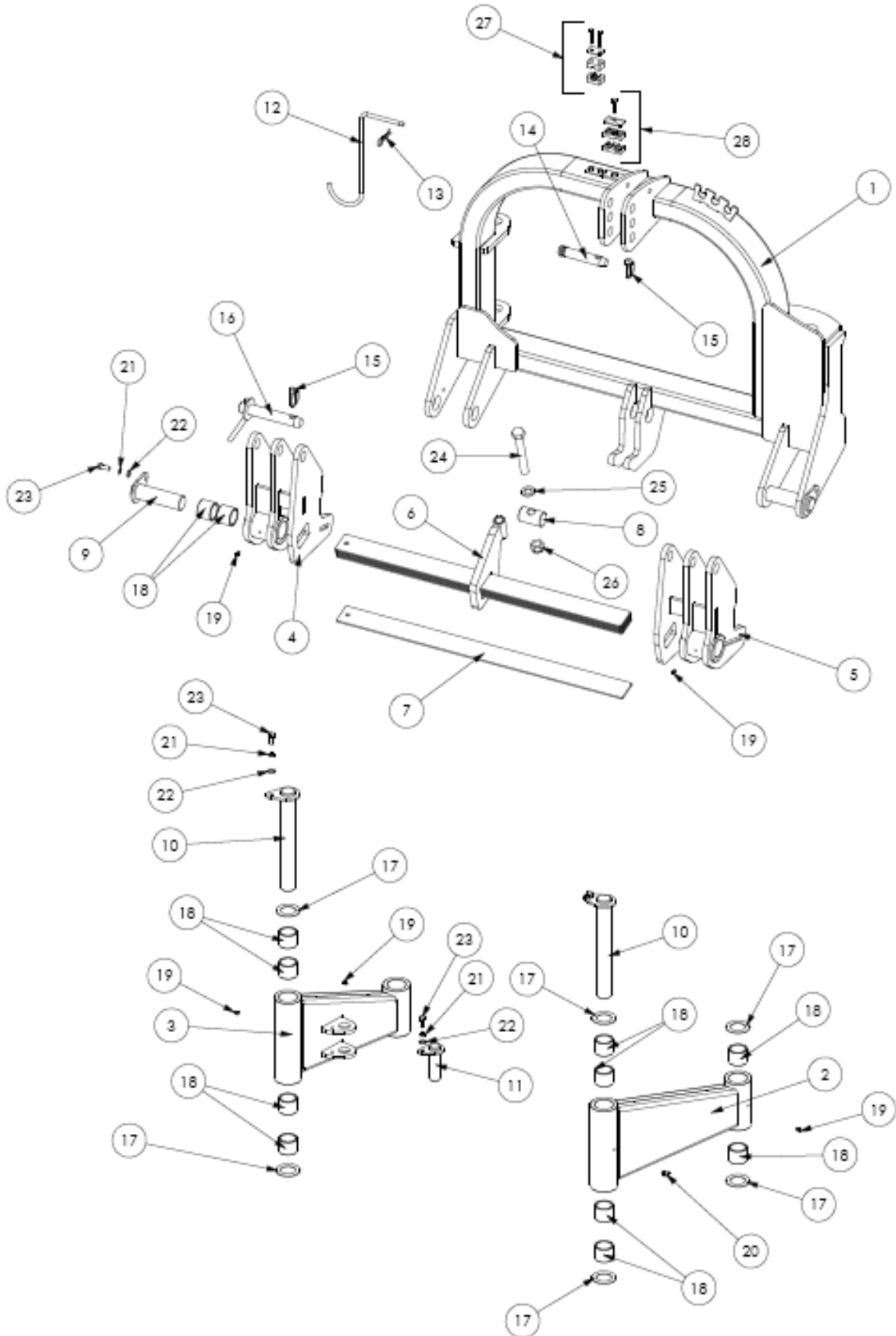


MERLIN *Xtreme Offset*
PARTS SECTION

HEADSTOCK ASSEMBLY

Module(s): S180023.01 (L/H RM - R/H FM), S180023.30 (R/H RM - L/H FM)

McCONEL



HEADSTOCK ASSEMBLY

McCONNEL

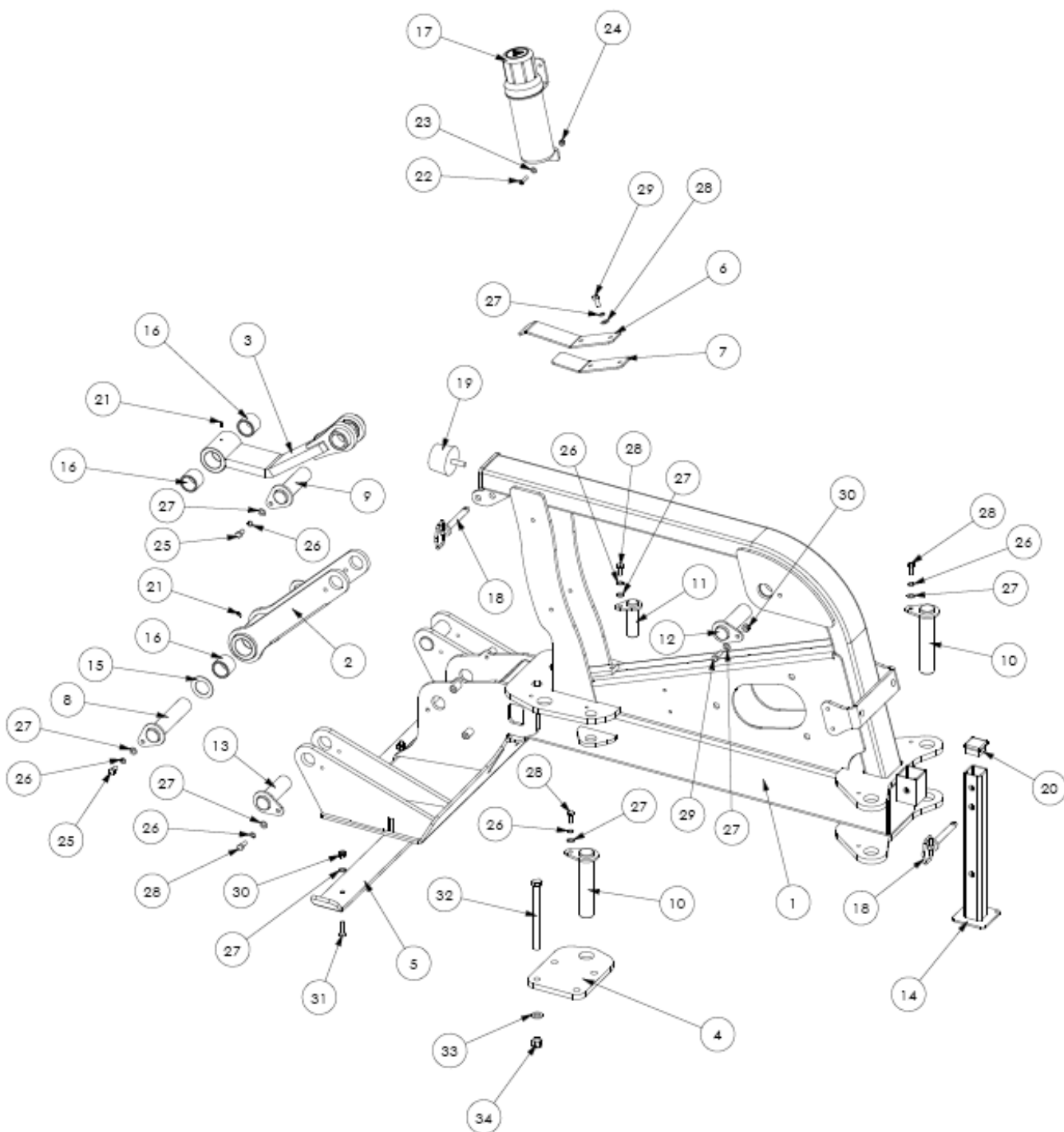
Module(s): S180023.01 (LH R/M - RH F/M), S180023.30 (RH R/M - LH F/M)

REF.	PART No.	QTY.	DESCRIPTION
	S180023.01		LH HEADSTOCK ASSEMBLY (LH R/M - RH F/M)
	S180023.30		RH HEADSTOCK ASSEMBLY (RH R/M - LH F/M)
1	180548	1	LH HEADSTOCK - <i>LH Rear Mount / RH Front Mount</i>
	180567	1	RH HEADSTOCK - <i>RH Rear Mount / LH Front Mount</i>
2	180550	1	LH PARALLEL LINK
3	180551	1	RH PARALLEL LINK
4	180552	1	RH LOWER LINK BRACKET
5	180553	1	LH LOWER LINK BRACKET
6	180554	1	TENSIONING BRACKET
7	180555	8	BREAK BACK LEAF
8	6310228	1	BREAK BACK TENSIONING PIN
9	1782110	2	PEAR PIN
10	1782111	2	PEAR PIN
11	1782113	1	PEAR PIN
12	1777434	1	PTO SUPPORT BRACKET
13	6310194	1	R-CLIP
14	6310203	1	CAT 2 TOP LINK PIN
15	00.372.01	3	LYNCH PIN
16	6310208	2	LOWER LINK PIN
17	191.067	8	SPACER
18	4600125	16	BUSH
19	2770467	5	GREASE NIPPLE
20	2770497	1	GREASE NIPPLE
21	2770469	5	SPRING WASHER
22	2770434	5	FLAT WASHER
23	2770407	5	BOLT
24	05.292.47	1	BOLT
25	2770517	1	FLAT WASHER
26	2770409	1	NYLOCK NUT
27	3870631	1	SINGLE HOSE CLAMP
28	3870632	1	DOUBLE HOSE CLAMP

REAR FRAME ASSEMBLY

Module(s): S180023.02

McCONEL



REAR FRAME ASSEMBLY

McCONNEL

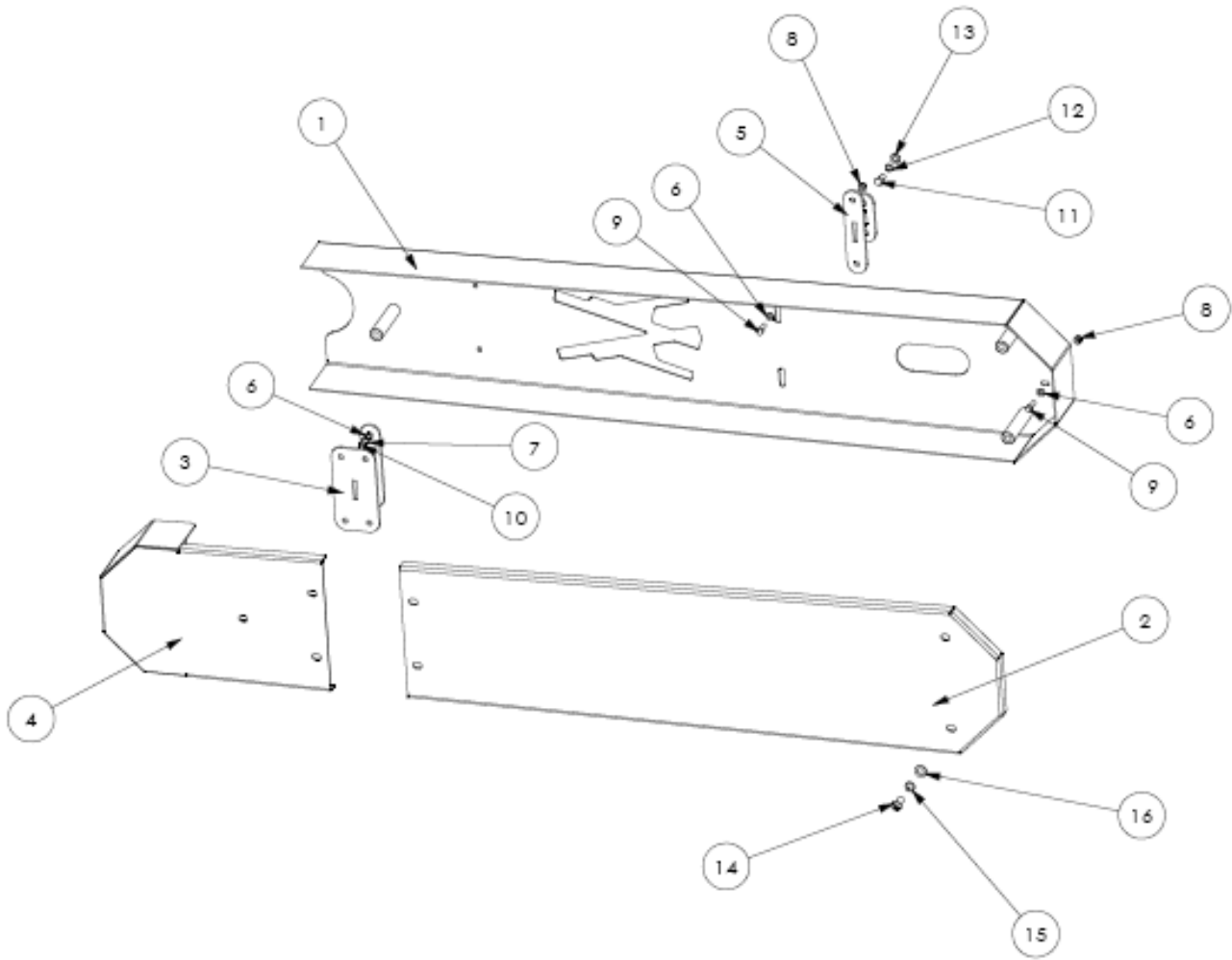
Module(s): S180023.02

REF.	PART No.	QTY.	DESCRIPTION
	S180023.02		REAR FRAME ASSEMBLY
1	180549	1	REAR FRAME
2	180556	1	STRAIGHT LINK
3	180557	1	CURVED LINK
4	180558	1	PARRALLEL LINK MOUNT PLATE
5	180561	1	SKID
6	180546	1	OUTER SPRING PLATE
7	180547	1	INNER SPRING PLATE
8	1782104	1	PEAR PIN
9	1782105	1	PEAR PIN
10	1782112	2	PEAR PIN
11	1782113	1	PEAR PIN
12	1782114	1	PEAR PIN
13	1782115	2	PEAR PIN
14	1777870	1	LEG STAND
15	191.067	4	SPACER
16	4600125	4	BUSH
17	46505.01	1	DOCUMENT HOLDER
18	6310220	2	PIN
19	8770634	1	BUMP STOP
20	07.262.03	1	PLASTIC CAP
21	2770467	2	GREASE NIPPLE
22	2770398	2	SKT BUTTON BOLT
23	2770432	2	FLAT WASHER
24	2770416	2	NYLOCK NUT
25	2770418	2	BOLT
26	2770469	9	SPRING WASHER
27	2770434	10	FLAT WASHER
28	2770407	7	BOLT
29	2770396	1	BOLT
30	2770412	4	NYLOCK NUT
31	2770422	3	SKT CSK SCREW
32	41769.01	2	BOLT
33	2770454	2	FLAT WASHER
34	2770447	2	NYLOCK NUT

BELT GUARD ASSEMBLY

McCONNEL

Module(s): S180023.03

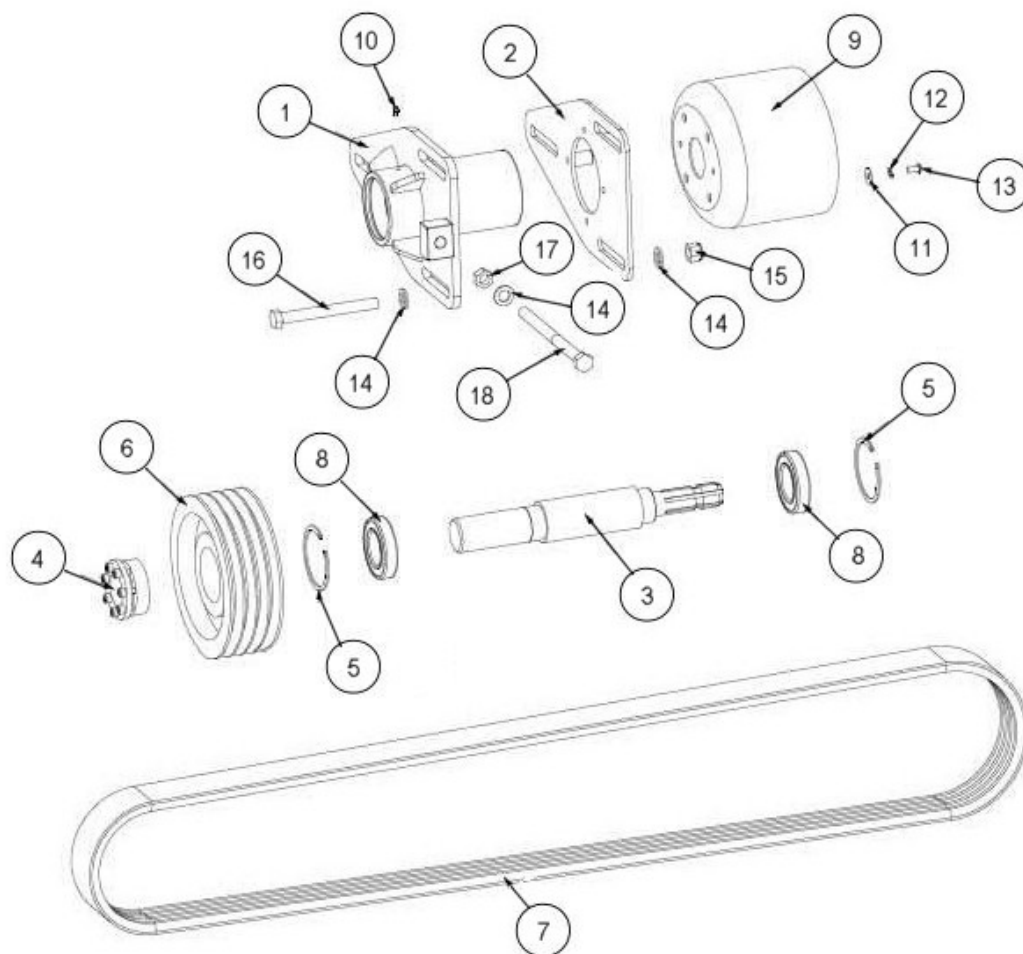


REF.	PART No.	QTY.	DESCRIPTION
	S180023.03		BELT GUARD ASSEMBLY
1	180562	1	INNER BELT GUARD
2	180563	1	OUTER BELT GUARD
3	180564	1	BELT GUARD INTERNAL BRACKET
4	180565	1	GEARBOX GUARD
5	180566	1	BELT GUARD EXTERNAL BRACKET
6	2770432	6	FLAT WASHER
7	2770433	2	SPRING WASHER
8	2770416	4	NYLOCK NUT
9	2770415	4	BOLT
10	2770386	2	BOLT
11	2770418	2	BOLT
12	2770469	2	SPRING WASHER
13	2770434	2	FLAT WASHER
14	05.625.10	7	SKT BUTTON BOLT
15	2770442	7	SPRING WASHER
16	2770436	7	FLAT WASHER

PULLEY SUPPORT ASSEMBLY

McCONEL

Module(s): S180023.04

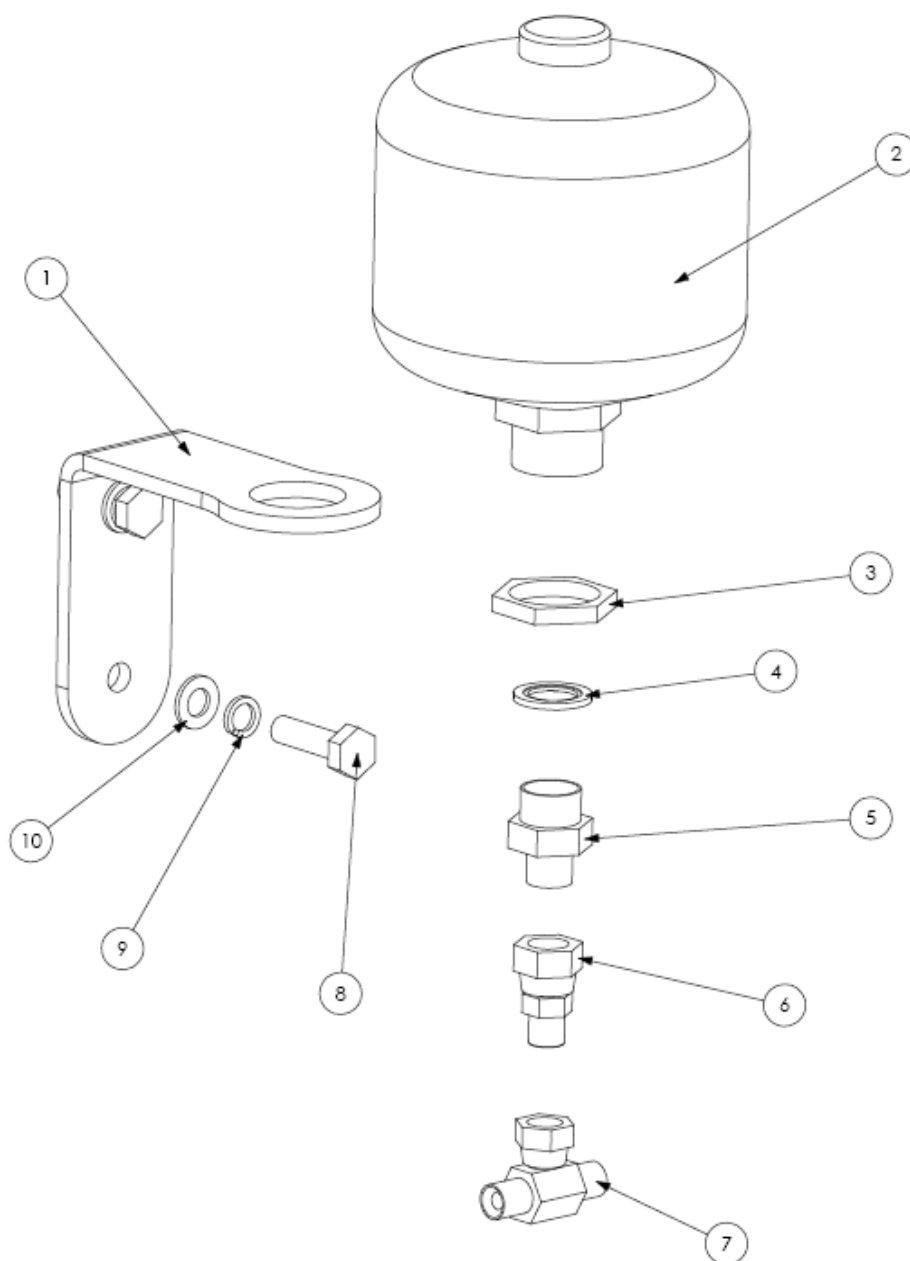


REF.	PART No.	QTY.	DESCRIPTION
	S180023.04		PULLEY SUPPORT ASSEMBLY
1	180559	1	BEARING HOUSING
2	180560	1	SUPPORT PLATE
3	5770051	1	DRIVE SHAFT
4	4770922	1	CLAMPING ELEMENT
5	2771109	1	CIRCLIP
6	4770920	1	PULLEY
7	4770970	1	BELT
8	4771607	2	BEARING
9	5770106	1	CONE
10	2770467	1	GREASE NIPPLE
11	2770244	4	REPAIR WASHER
12	2770469	4	SPRING WASHER
13	2770370	4	SKT BUTTON BOLT
14	2770454	7	FLAT WASHER
15	2770447	3	NYLOCK NUT
16	05.292.51	3	BOLT
17	05.286.04	1	FULL NUT
18	2770627	1	BOLT
19	43602.02	1	PTO

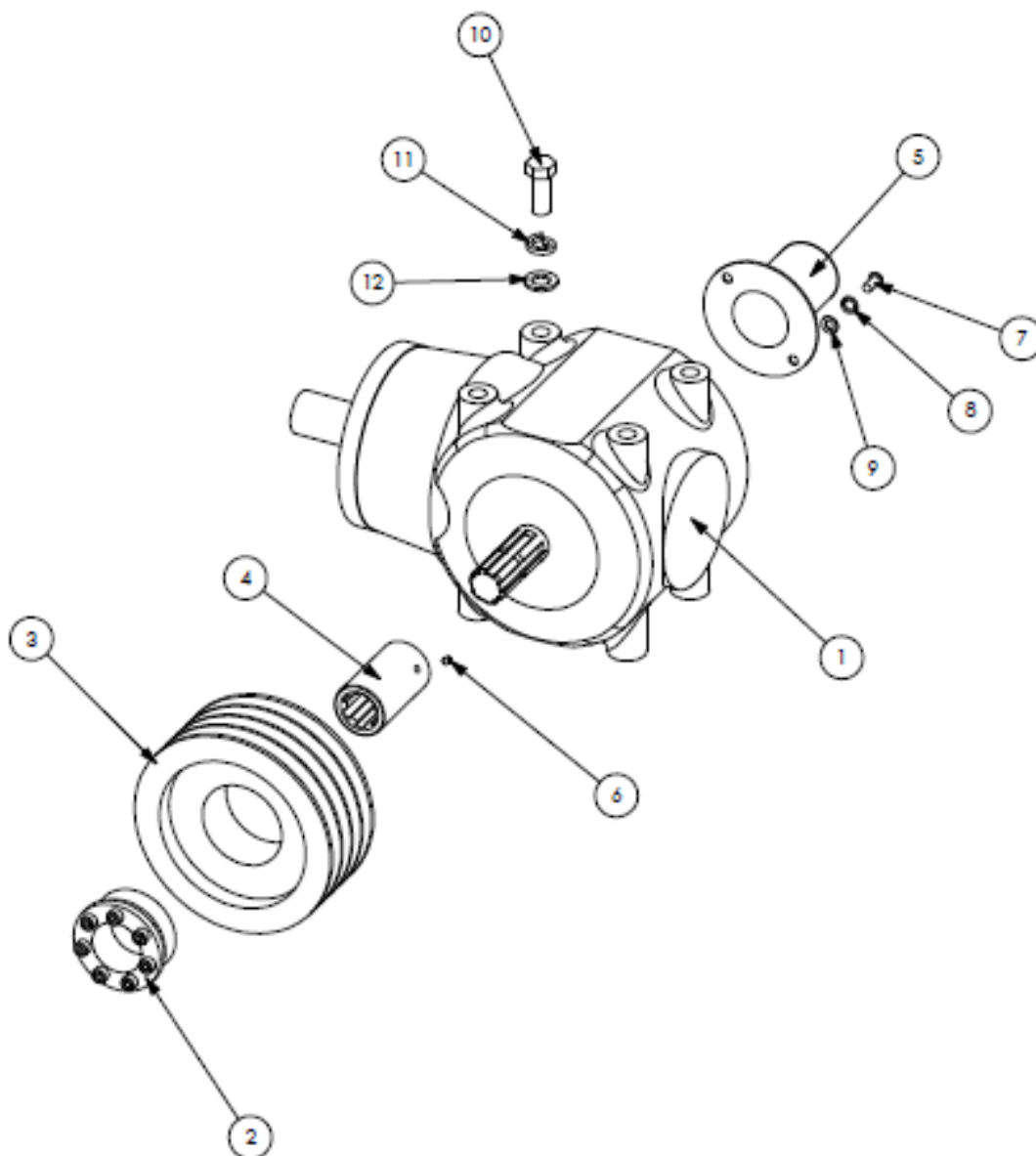
ACCUMULATOR BOTTLE ASSEMBLY

McCONEL

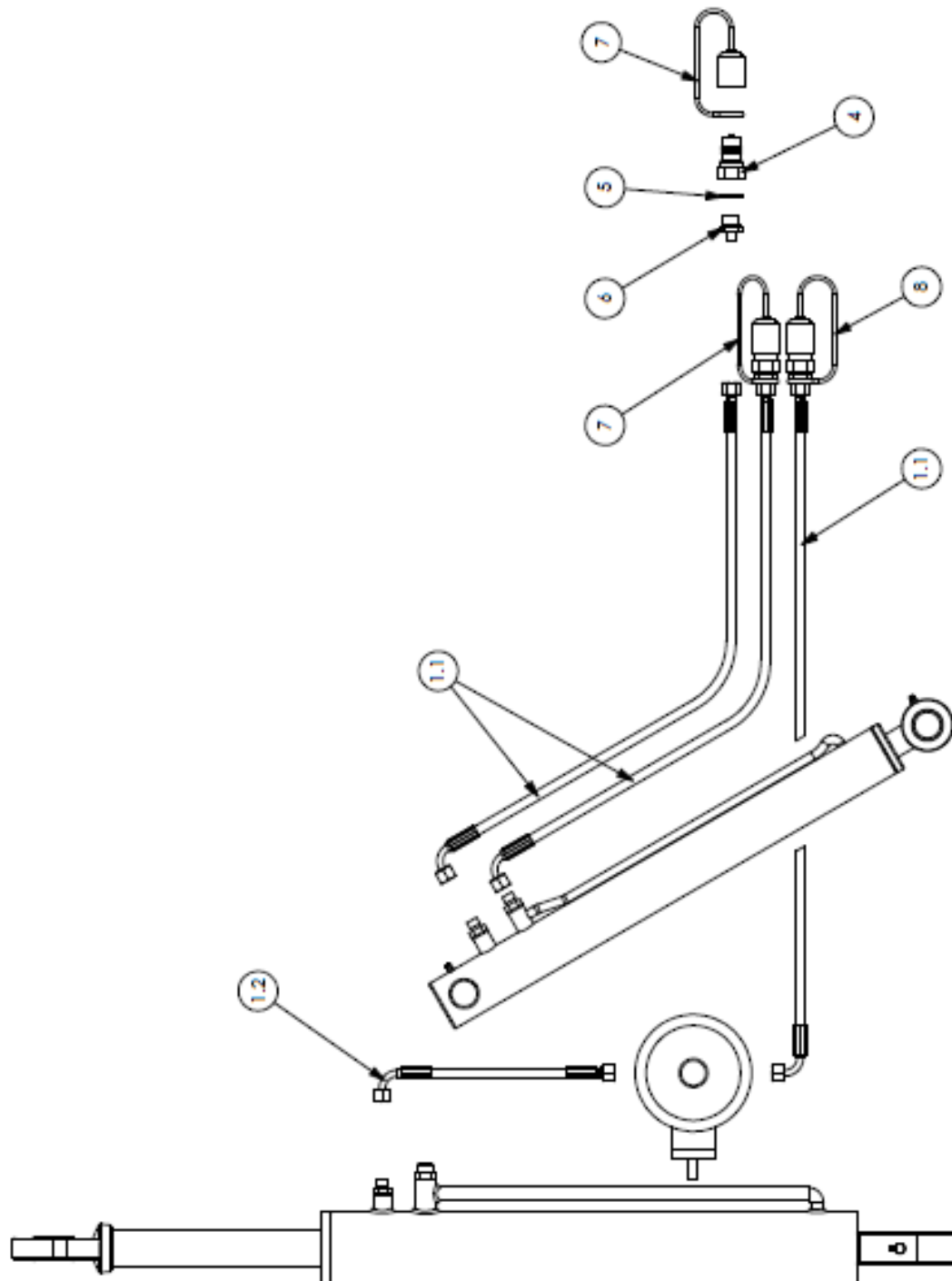
Module(s): S180023.05



REF.	PART No.	QTY.	DESCRIPTION
	S180023.05		ACCUMULATOR BOTTLE ASSEMBLY
1	180441	1	BOTTLE BRACKET
2	3900071	1	ACCUMULATOR
3	8126035	1	NUT
4	8650322	1	BONDED SEAL
5	G2410380	1	ADAPTOR
6	3360079	1	ADAPTOR
7	3460101	1	TEE
8	2770434	2	FLAT WASHER
9	2770469	2	SPRING WASHER
10	2770418	2	BOLT



REF.	PART No.	QTY.	DESCRIPTION
	S180023.06		GEARBOX ASSEMBLY
1	5770450	1	GEARBOX
2	4770922	1	CLAMPING ELEMENT
3	4770918	1	PULLEY
4	5770111	1	SPLINED COUPLING
5	1777602	1	COVER
6	05.388.03	2	GRUB SCREW
7	2770370	2	SKT BUTTON BOLT
8	2770469	2	SPRING WASHER
9	2770432	2	FLAT WASHER
10	05.264.35	8	BOLT
11	2770456	8	SPRING WASHER
12	2770454	8	FLAT WASHER



HYDRAULIC CIRCUIT**McCONNEL**

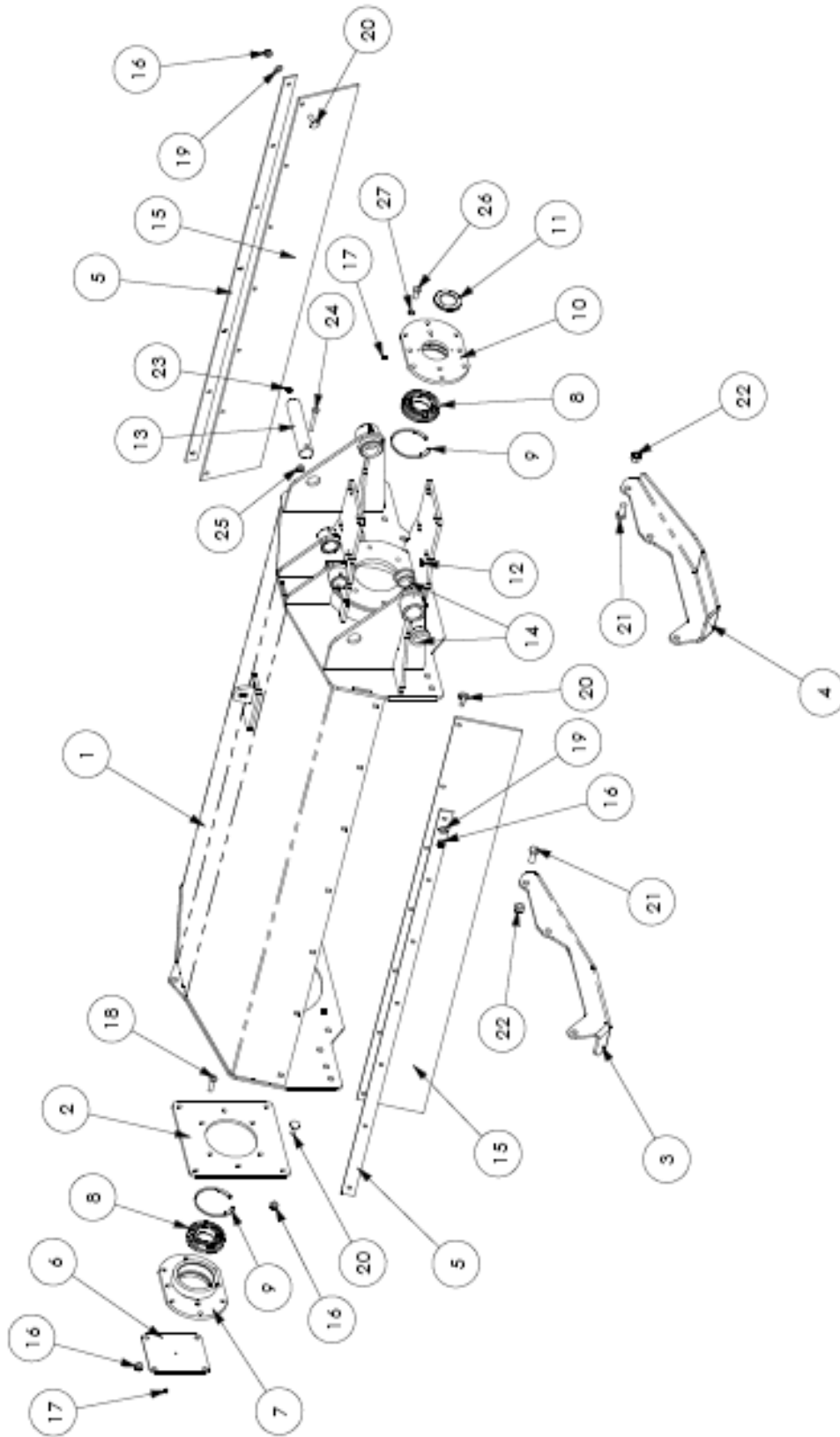
Module(s): S180023.07

REF.	PART No.	QTY.	DESCRIPTION
	S180023.07		HYDRAULIC CIRCUIT
1	3751001	1	HOSE KIT
1.1	3751001.01	3	HOSE: 1/4" X 3M
1.2	3751001.02	1	HOSE: 1/4" X 0.6M
2	43543.03	1	HOSE SLEEVE
3	30.058.66	5	CABLE TIE
4	3750153	3	QUICK RELEASE COUPLING
5	3260072	3	BONDED SEAL
6	3250154	3	RESTRICTOR ADAPTOR
7	3700236	2	RED DUST CAP
8	T5386	1	ORANGE DUST CAP

HEAD ASSEMBLIES – 1.2M, 1.6M & 2.0M Builds

Module(s): S180023.24 (1.2M), S180023.08 (1.6M), S180023.09 (2.0M)

McCONEL

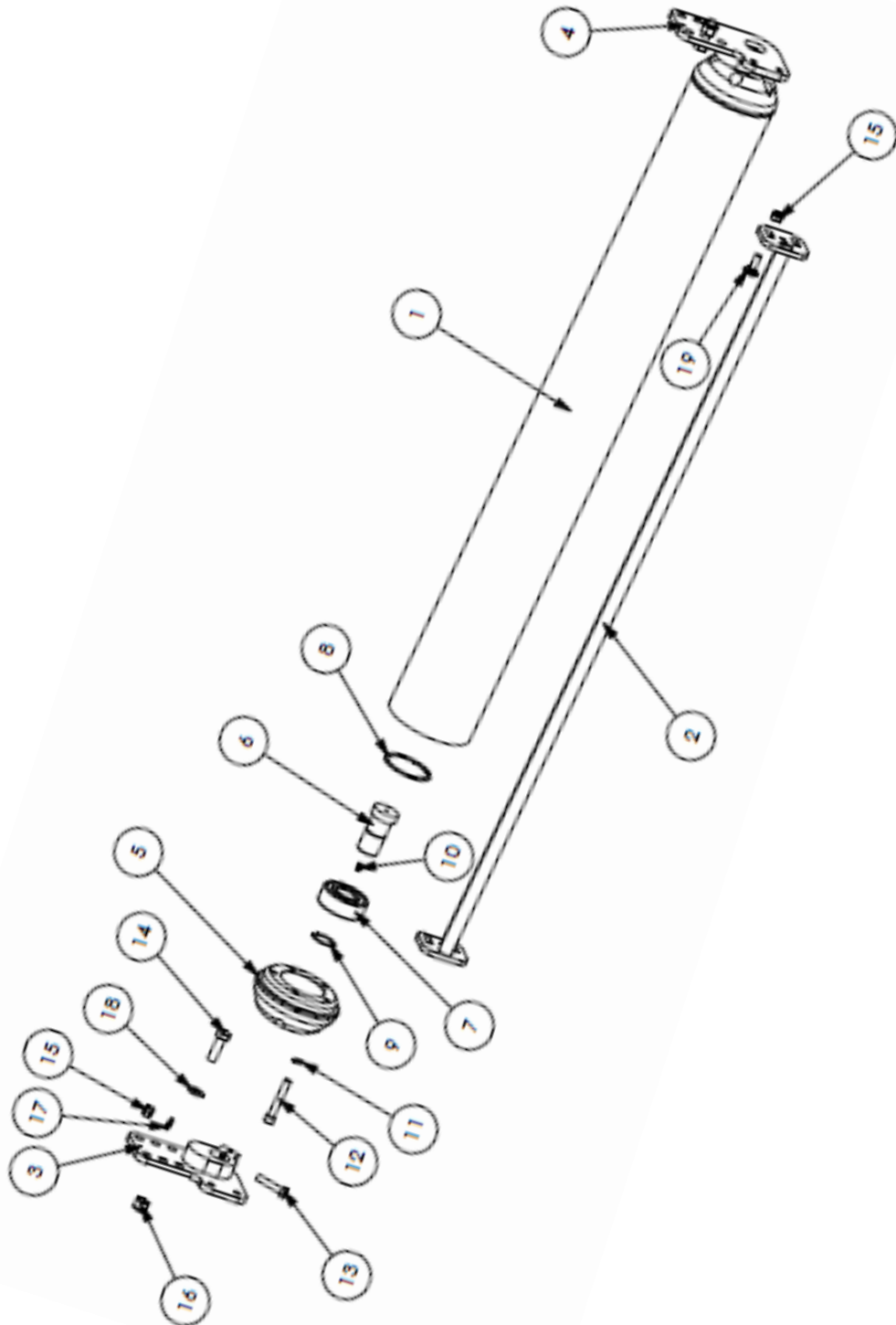


HEAD ASSEMBLIES – 1.2M, 1.6M & 2.0M Builds



Module(s): S180023.24 (1.2M), S180023.08 (1.6M), S180023.09 (2.0M)

REF.	PART No.	QTY.			DESCRIPTION
		1.2M	1.6M	2.0M	
	S180023.24				1.2M HEAD ASSEMBLY
	S180023.08				1.6M HEAD ASSEMBLY
	S180023.09				2.0M HEAD ASSEMBLY
1	180541	1	-	-	1.2M HEAD COWL
1	180530	-	1	-	1.6M HEAD COWL
1	180540	-	-	1	2.0M HEAD COWL
2	180544	1	1	1	NON-DRIVE MOUNT PLATE
3	180531	1	1	1	LH SKID
4	180532	1	1	1	RH SKID
5	1777398	2	-	-	1.2M FLAP RETAINING STRIP
5	1771534	-	2	-	1.6M FLAP RETAINING STRIP
5	1772290	-	-	2	2.0M FLAP RETAINING STRIP
6	1777312	1	1	1	NON-DRIVE END COVER
7	1777310	1	1	1	BEARING HOUSING
8	4770891	2	2	2	BEARING
9	2771610	2	2	2	CIRCLIP
10	180914	1	1	1	BEARING HOUSING
11	4771511	1	1	1	SEAL
12	2770459	2	2	2	GREASE NIPPLE
13	180391	1	1	1	PIN: 40 X 210mm
14	4600126	4	4	4	BUSH
15	8400207	2	-	-	1.2M RUBBER FLAP
15	8550130	-	2	-	1.6M RUBBER FLAP
15	8400201	-	-	2	2.0M RUBBER FLAP
16	2770417	20	24	26	NYLOCK NUT
17	2770467	2	2	2	GREASE NIPPLE
18	2770458	6	6	6	BOLT
19	2770436	10	14	16	FLAT WASHER
20	05.839.35	14	18	20	COACH BOLT
21	05.264.35	6	6	6	BOLT
22	2770447	6	6	6	NYLOCK NUT
23	2770497	1	1	1	GREASE NIPPLE
24	05.291.19	1	1	1	BOLT
25	2770412	1	1	1	NYLOCK NUT
26	2770420	6	6	6	BOLT
27	2770442	6	6	6	SPRING WASHER
28	05.388.03	3	3	3	GRUB SCREW



ROLLER ASSEMBLIES – 1.2M, 1.6M & 2.0M Builds

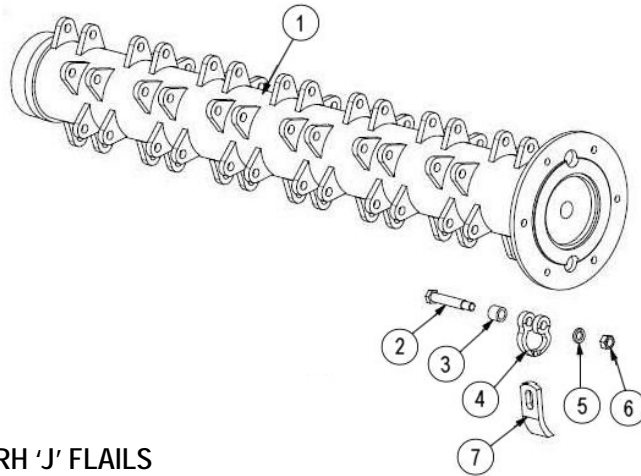


Module(s): S180023.25 (1.2M), S180023.10 (1.6M), S180023.11 (2.0M)

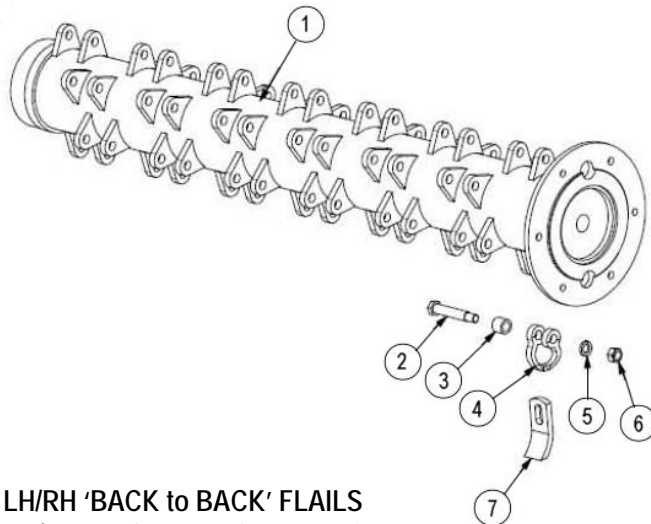
REF.	PART No.	QTY.			DESCRIPTION
		1.2M	1.6M	2.0M	
	S180023.25				1.2M ROLLER ASSEMBLY
	S180023.10				1.6M ROLLER ASSEMBLY
	S180023.11				2.0M ROLLER ASSEMBLY
1	180905	1	-	-	1.2M ROLLER
1	180906	-	1	-	1.6M ROLLER
1	180907	-	-	1	2.0M ROLLER
2	180529	1	-	-	1.2M ROLLER SCRAPER
2	180536	-	1	-	1.6M ROLLER SCRAPER
2	180542	-	-	1	2.0M ROLLER SCRAPER
3	180533	1	1	1	LH ROLLER BRACKET
4	180535	1	1	1	RH ROLLER BRACKET
5	180908	2	2	2	END CAP
6	180909	2	2	2	STUB SHAFT
7	4771612	2	2	2	BEARING
8	2771109	2	2	2	CIRCLIP
9	2777512	2	2	2	CIRCLIP
10	2770468	2	2	2	GREASE NIPPLE
11	2770442	10	10	10	SPRING WASHER
12	2770333	10	10	10	SOCKET CAPSCREW
13	2770450	2	2	2	BOLT
14	2770425	4	4	4	BOLT
15	2770417	2	2	2	NYLOCK NUT
16	2770447	4	4	4	NYLOCK NUT
17	2770436	2	2	2	FLAT WASHER
18	2770454	4	4	4	FLAT WASHER
19	05.839.35	4	4	4	COACH BOLT

Module(s): S180023.12 / 13 / 14 / 16 / 17 / 18 / 26 / 27 / 28

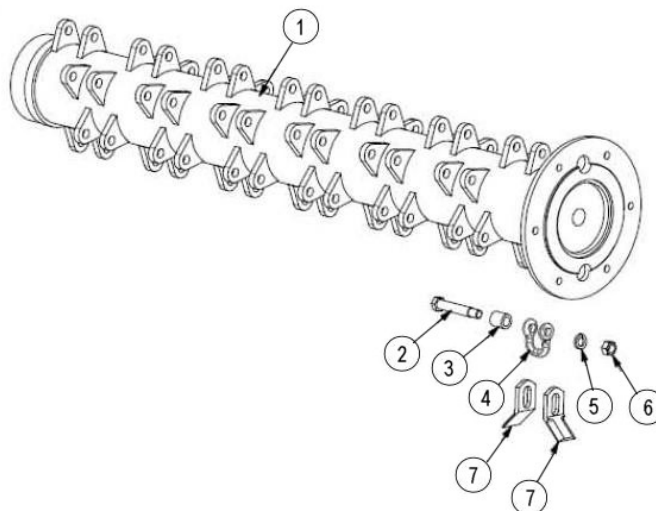
S180023.26 - 1.2M ROTOR ASSEMBLY LH 'J' FLAILS
S180023.12 - 1.6M ROTOR ASSEMBLY LH 'J' FLAILS
S180023.16 - 2.0M ROTOR ASSEMBLY LH 'J' FLAILS



S180023.27 - 1.2M ROTOR ASSEMBLY RH 'J' FLAILS
S180023.13 - 1.6M ROTOR ASSEMBLY RH 'J' FLAILS
S180023.17 - 2.0M ROTOR ASSEMBLY RH 'J' FLAILS



S180023.28 - 1.2M ROTOR ASSEMBLY LH/RH 'BACK to BACK' FLAILS
S180023.14 - 1.6M ROTOR ASSEMBLY LH/RH 'BACK to BACK' FLAILS
S180023.18 - 2.0M ROTOR ASSEMBLY LH/RH 'BACK to BACK' FLAILS



ROTOR ASSEMBLIES – 1.2M, 1.6M & 2.0M Builds



Module(s): S180023.12 / 13 / 14 / 16 / 17 / 18 / 26 / 27 / 28

REF.	PART No.	QTY.			DESCRIPTION
		1.2M	1.6M	2.0M	
	S180023.26				1.2M ROTOR ASSEMBLY LH 'J' FLAILS
	S180023.12				1.6M ROTOR ASSEMBLY LH 'J' FLAILS
	S180023.16				2.0M ROTOR ASSEMBLY LH 'J' FLAILS
		1.2M	1.6M	2.0M	
1	180545	1	-	-	1.2M ROTOR SHAFT LH 'J' FLAIL
1	180537	-	1	-	1.6M ROTOR SHAFT LH 'J' FLAIL
1	180047	-	-	1	2.0M ROTOR SHAFT LH 'J' FLAIL
2	05.775.10	38	48	66	FLAIL BOLT
3	41725.01	38	48	66	SPACER
4	47202.01	38	48	66	SHACKLE
5	2770456	38	48	66	SPRING WASHER
6	05.968.06	38	48	66	NUT
7	09.527.01	38	48	66	'J' FLAIL

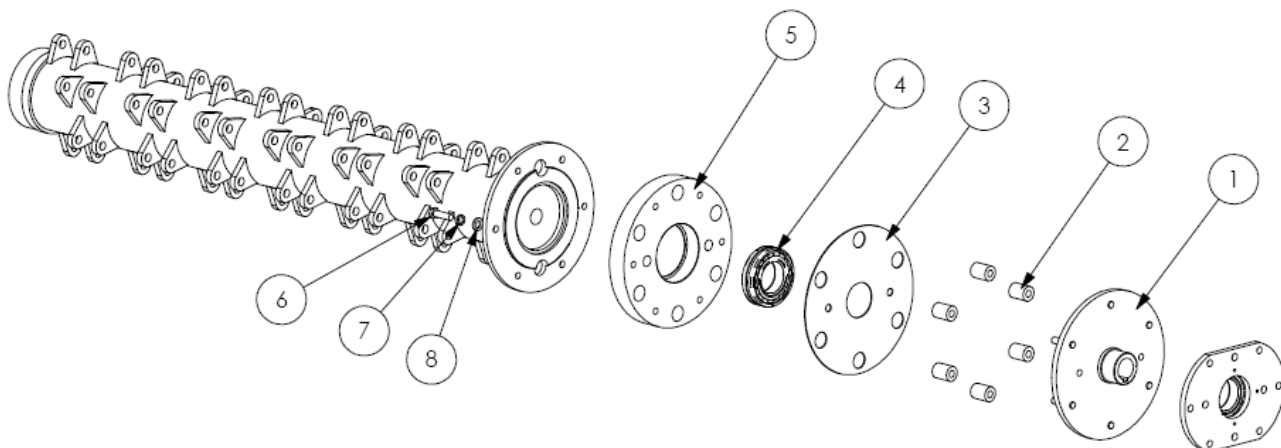
REF.	PART No.	QTY.			DESCRIPTION
		1.2M	1.6M	2.0M	
	S180023.27				1.2M ROTOR ASSEMBLY RH 'J' FLAILS
	S180023.13				1.6M ROTOR ASSEMBLY RH 'J' FLAILS
	S180023.17				2.0M ROTOR ASSEMBLY RH 'J' FLAILS
		1.2M	1.6M	2.0M	
1	180568	1	-	-	1.2M ROTOR SHAFT RH 'J' FLAIL
1	180045	-	1	-	1.6M ROTOR SHAFT RH 'J' FLAIL
1	180543	-	-	1	2.0M ROTOR SHAFT RH 'J' FLAIL
2	05.775.10	38	48	66	FLAIL BOLT
3	41725.01	38	48	66	SPACER
4	47202.01	38	48	66	SHACKLE
5	2770456	38	48	66	SPRING WASHER
6	05.968.06	38	48	66	NUT
7	09.527.01	38	48	66	'J' FLAIL

REF.	PART No.	QTY.			DESCRIPTION
		1.2M	1.6M	2.0M	
	S180023.27				1.2M ROTOR ASSEMBLY LH/RH 'B2B' FLAILS
	S180023.13				1.6M ROTOR ASSEMBLY LH/RH 'B2B' FLAILS
	S180023.17				2.0M ROTOR ASSEMBLY LH/RH 'B2B' FLAILS
		1.2M	1.6M	2.0M	
1	180569	1	-	-	1.2M ROTOR SHAFT LH/RH 'B2B' FLAILS
1	180046	-	1	-	1.6M ROTOR SHAFT LH/RH 'B2B' FLAILS
1	180048	-	-	1	2.0M ROTOR SHAFT LH/RH 'B2B' FLAILS
2	05.775.10	38	48	66	FLAIL BOLT
3	02.807.01	38	48	66	SPACER
4	7770741	38	48	66	TWISTED SHACKLE
5	2770456	38	48	66	SPRING WASHER
6	05.968.06	38	48	66	NUT
7	7190166	76	96	132	BACK TO BACK FLAIL

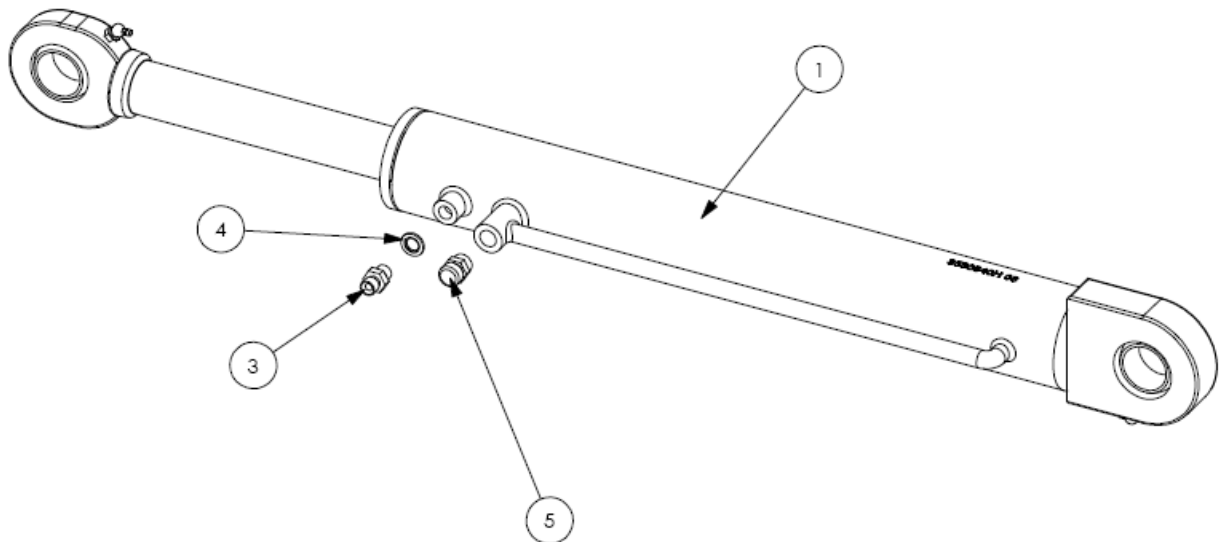
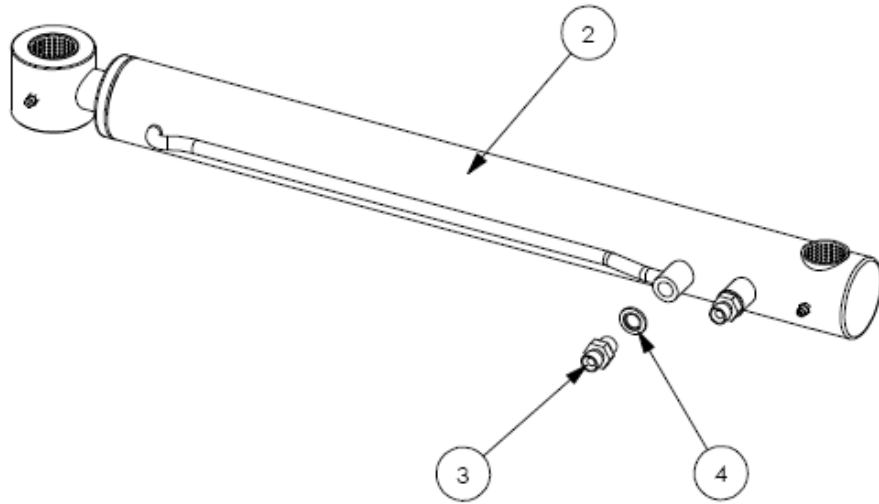
ROTOR DRIVE ASSEMBLY

McCONNEL

Module(s): S180023.23



REF.	PART No.	QTY.	DESCRIPTION
	S180023.23		ROTOR DRIVE ASSEMBLY
1	180538	1	DRIVE END
2	03.871.01	6	RUBBER BUSH
3	5771638	1	RUBBER GASKET
4	4770891	1	BEARING
5	180539	1	SPACER PLATE
6	2770443	6	M12 X 40 BOLT
7	2770442	6	M12 SPRING WASHER
8	2770436	6	M12 FLAT WASHER
1	180538	1	DRIVE END
2	03.871.01	6	RUBBER BUSH



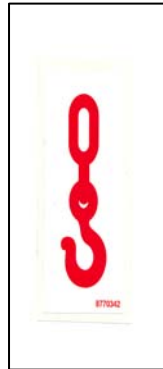
REF.	PART No.	QTY.	DESCRIPTION
	S180023.20		HYDRAULIC RAM ASSEMBLY
1	3580640H	1	HEAD RAM
2	3580669	1	OFFSET RAM
3	3360080	3	ADAPTOR
4	3260070	3	BONDED SEAL
5	09.250.53	1	BREATHER
			SEAL KITS
	3580640H.01		HEAD RAM SEAL KIT
	3580669.01		OFFSET RAM SEAL KIT



1.



2.



3.



4.



5.



6.



7.



8.



9.



10.



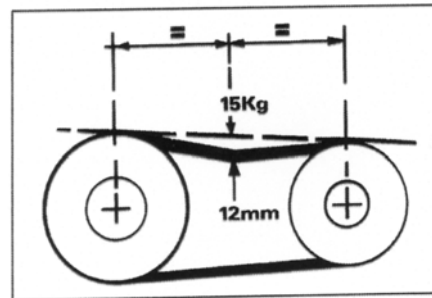
11.



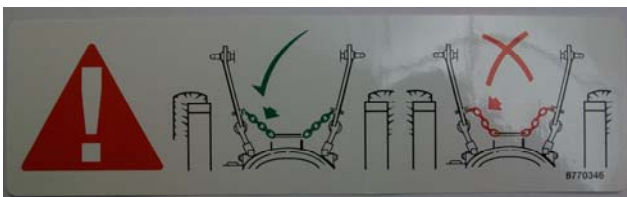
12.



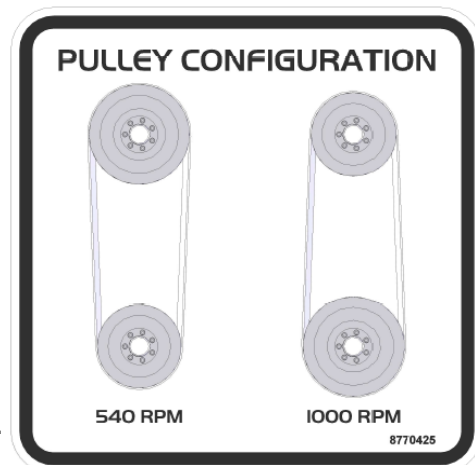
13.



14.



15.



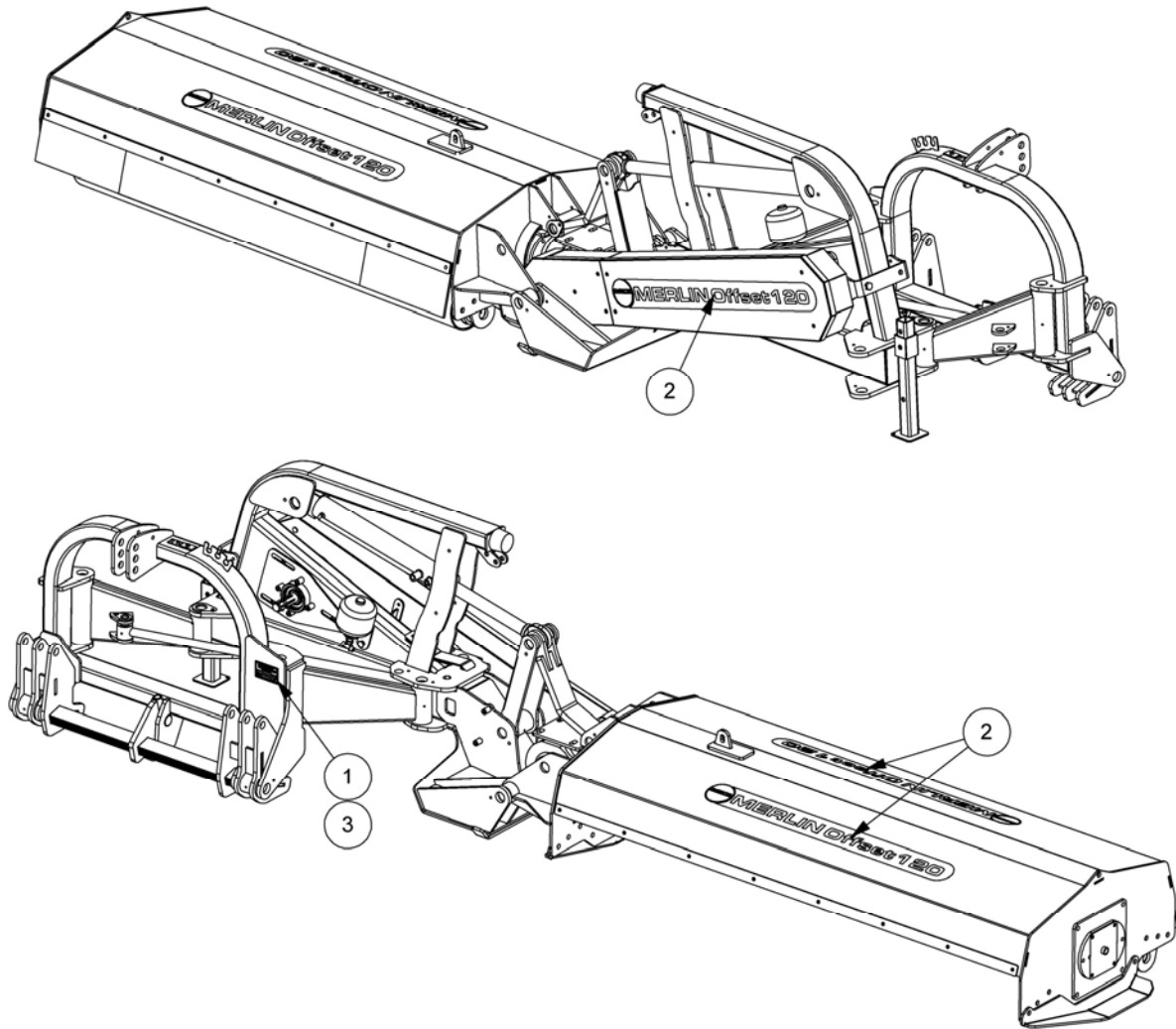
16.

SAFETY DECAL KIT**McCONNEL**

Module(s): S180023.21

REF.	PART No.	QTY.	DESCRIPTION
	S180023.21		SAFETY DECAL KIT
1	8770363	1	CAREFULLY READ MANUAL
2	8770367	1	CAREFULLY READ MANUAL
3	8770342	2	LIFTING POINT
4	8770322	10	GREASE POINT
5	8770340	1	READ OPERATORS BOOK
6	8770360	2	STAY CLEAR OF BLADES
7	8770306	2	BOLTS TIGHT
8	8770355	1	SECURE LIFTING CYLINDER
9	8770362	1	AVOID FLUID ESCAPING
10	8770357	2	KEEP A SAFE DISTANCE
11	8770368	1	FALLING WING
12	8770358	1	SHUT OFF ENGINE & REMOVE KEY
13	8770356	1	DO NOT OPEN
14	8770341	1	BELT TENSION
15	8770346	1	CHECK CHAINS
16	8770425	1	PULLEY CONFIGURATION

Module(s): S180023.31 / S180023.36 / S180023.37



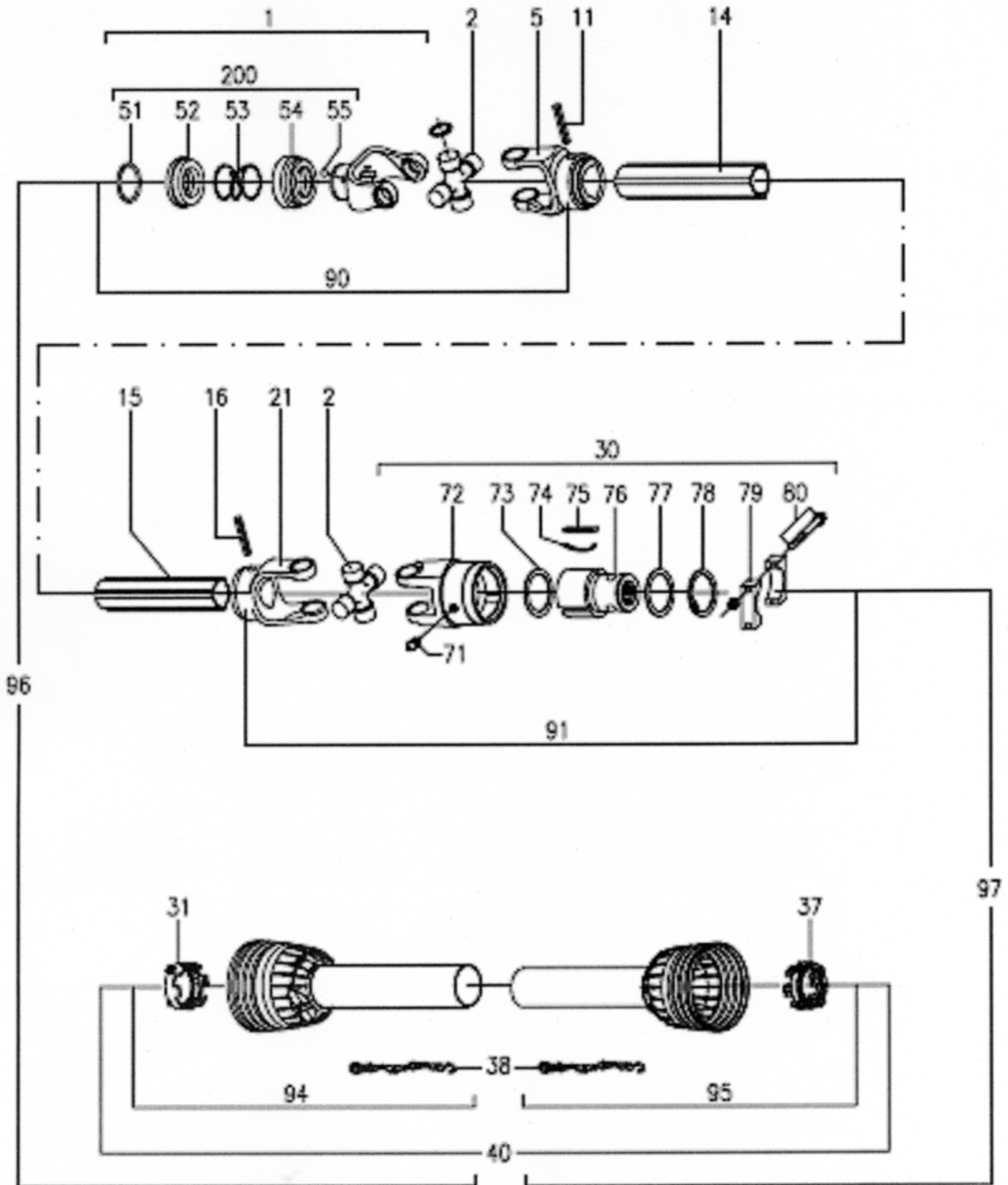
REF.	PART No.	QTY.	DESCRIPTION
	S180023.31		DECAL KIT – Merlin Offset 120
1	1335246	1	SERIAL No. PLATE
2	1290897	3	DECAL – MERLIN OFFSET 120
3	2770200	4	POP RIVET
	S180023.36		DECAL KIT – Merlin Offset 160
1	1335246	1	SERIAL No. PLATE
2	1290898	3	DECAL – MERLIN OFFSET 160
3	2770200	4	POP RIVET
	S180023.37		DECAL KIT – Merlin Offset 200
1	1335246	1	SERIAL No. PLATE
2	1290899	3	DECAL – MERLIN OFFSET 200
3	2770200	4	POP RIVET

PTO DRIVESHAFTS



Module(s): S180023.43 (Rear Mounts) / S180023.44 (Front Mounts)

S180023.43 – Rear Mount Models
 S180023.44 – Front Mount Models



REF.	PART No.	QTY.	DESCRIPTION
1	43602.02	1	CLOCKWISE PTO (REAR)
1	43602.03	1	ANTI-CLOCKWISE PTO (FRONT)



McConnel Limited, Temeside Works, Ludlow, Shropshire SY8 1JL. England.
Telephone: 01584 873131. Facsimile: 01584 876463. www.mcconnel.com