
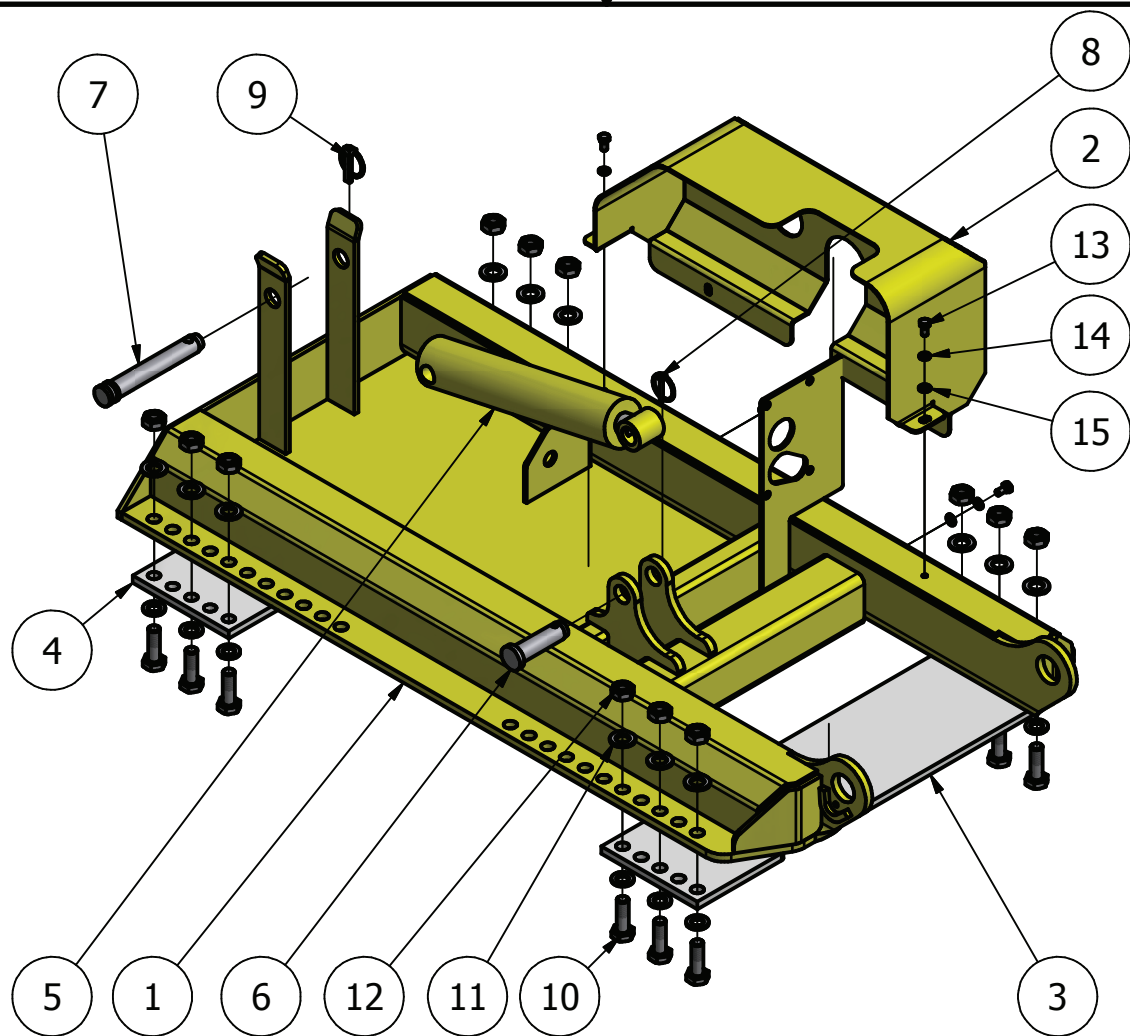


PARTS LIST

ITEM	QTY	PART NUMBER	DESCRIPTION
1	1	FKG-1-EV1	Vehicle Mounting Assembly FKG-1
2	1	FKG-1-EV2	Hinging Bar Assembly FKG-1
3	1	FKG-1-EV3	Machine Mounting Assembly FKG-1
4	1	59.4000.40	Hinge Pin 40X400
5	1	59.1300.40	Hinge Pin 40X130
6	2	DIN 933 - M8 x 16	Hex-Head Bolt
7	2	DIN 125 - A 8,5	Spring Washer
8	1	59.0083.20	Pin 20X83
9	1	LP7	Locking Pin 7mm

Designed by VH	Checked by JB	Approved by	Date	Date 11-12-2013
-------------------	------------------	-------------	------	--------------------


 <b>jj dabekausen bv</b> Importeur	ASSEMBLY FKG-1		
	FKG-1-EV0	Edition 0	Sheet 1 / 1

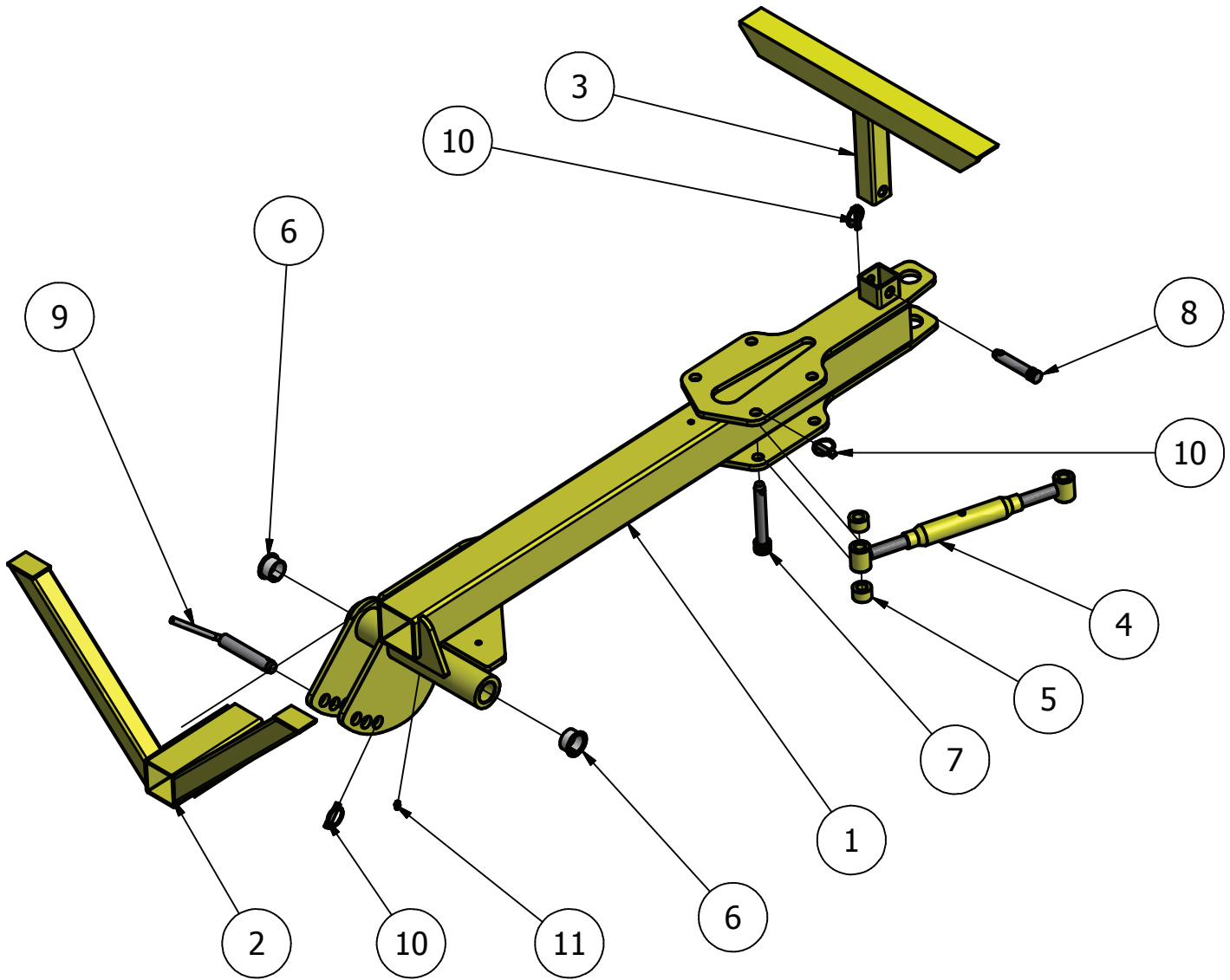


### PARTS LIST

ITEM	QTY	PART NUMBER	DESCRIPTION
1	1	59.1000.01	Vehicle Mounting Frame
2	1	59.1000.02	Protection Guard
3	1	59.1001.01	Mounting Plate Notched
4	1	59.1001.02	Mounting Plate
5	1	D30-60-200ST	Collision Cylinder
6	1	59.0074.25	Pin 25X74
7	1	59.0142.25	Pin 25X142
8	1	LP4	Locking Pin 4mm
9	1	LP7	Locking Pin 7mm
10	12	DIN 933 - M16 x 50	Hex-Head Bolt
11	24	DIN 125 - A 17	Washer
12	12	DIN 985 - M16	Hex Nut
13	4	DIN 933 - M8 x 16	Hex-Head Bolt
14	4	DIN 127 - A 8,5	Spring Washer
15	4	DIN 125 - A 8,5	Washer

Designed by VH	Checked by JB	Approved by	Date	Date 11-12-2013
-------------------	------------------	-------------	------	--------------------

 <b>jj dabekausen bv</b> Importeur	VEHICLE MOUNTING ASSEMBLY FKG-1		
	FKG-1-EV1	Edition 0	Sheet 1 / 1



PARTS LIST

ITEM	QTY	PART NUMBER	DESCRIPTION
1	1	59.1002.01	Hinging Bar Frame
2	1	59.1003.01	Support Leg
3	1	59.1003.02	Support Leg
4	1	59.1024.01	Adjustable Rod M24
*4A	1	D25-40-300ST	Ram (* = OPTION)
5	2	59.0021.24	Filling Bus 24X21
6	2	59.0040.44	Sleeve Bearing 44x40
7	1	59.0130.20	Pin 20X130
8	1	59.0088.20	Pin 20X83
9	1	59.0123.25	Pin 25X123
10	3	LP7	Locking Pin 7mm
11	1	GN81180	Grease Nipple M8

Designed by VH	Checked by JB	Approved by	Date	Date 11-12-2013
-------------------	------------------	-------------	------	--------------------



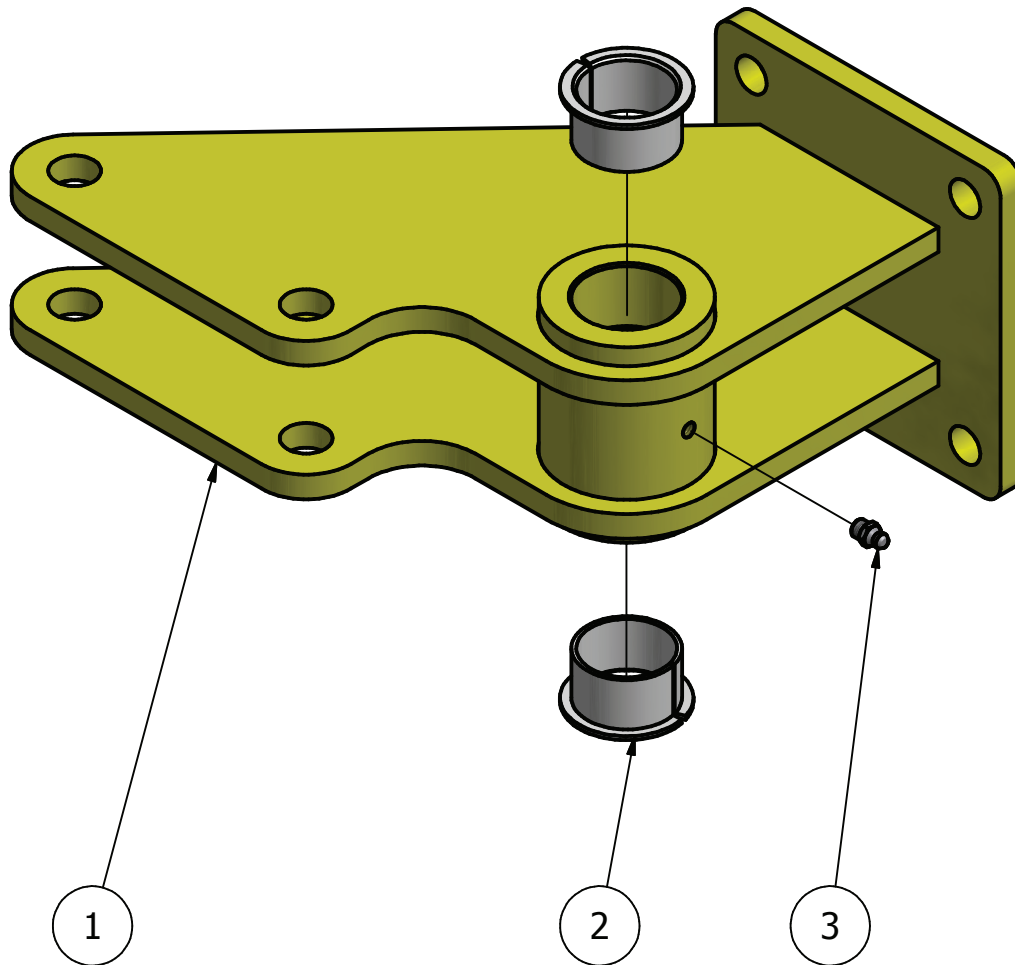
**jj dabekausen bv**  
Importeur


HINGING BAR ASSEMBLY FKG-1

FKG-1-EV2

Edition  
0

Sheet  
1 / 1



PARTS LIST					
ITEM	QTY	PART NUMBER		DESCRIPTION	
1	1	59.0004.01		Machine Mounting Frame	
2	2	59.0040.44		Sleeve Bearing 44x40	
3	1	GN81180		Grease Nipple M8	
Designed by VH		Checked by JB		Approved by	Date 11-12-2013
 <b>jj dabekausen bv</b> Importeur			MACHINE MOUNTING ASSEMBLY FKG-1		
			FKG-1-EV3		Edition 0