

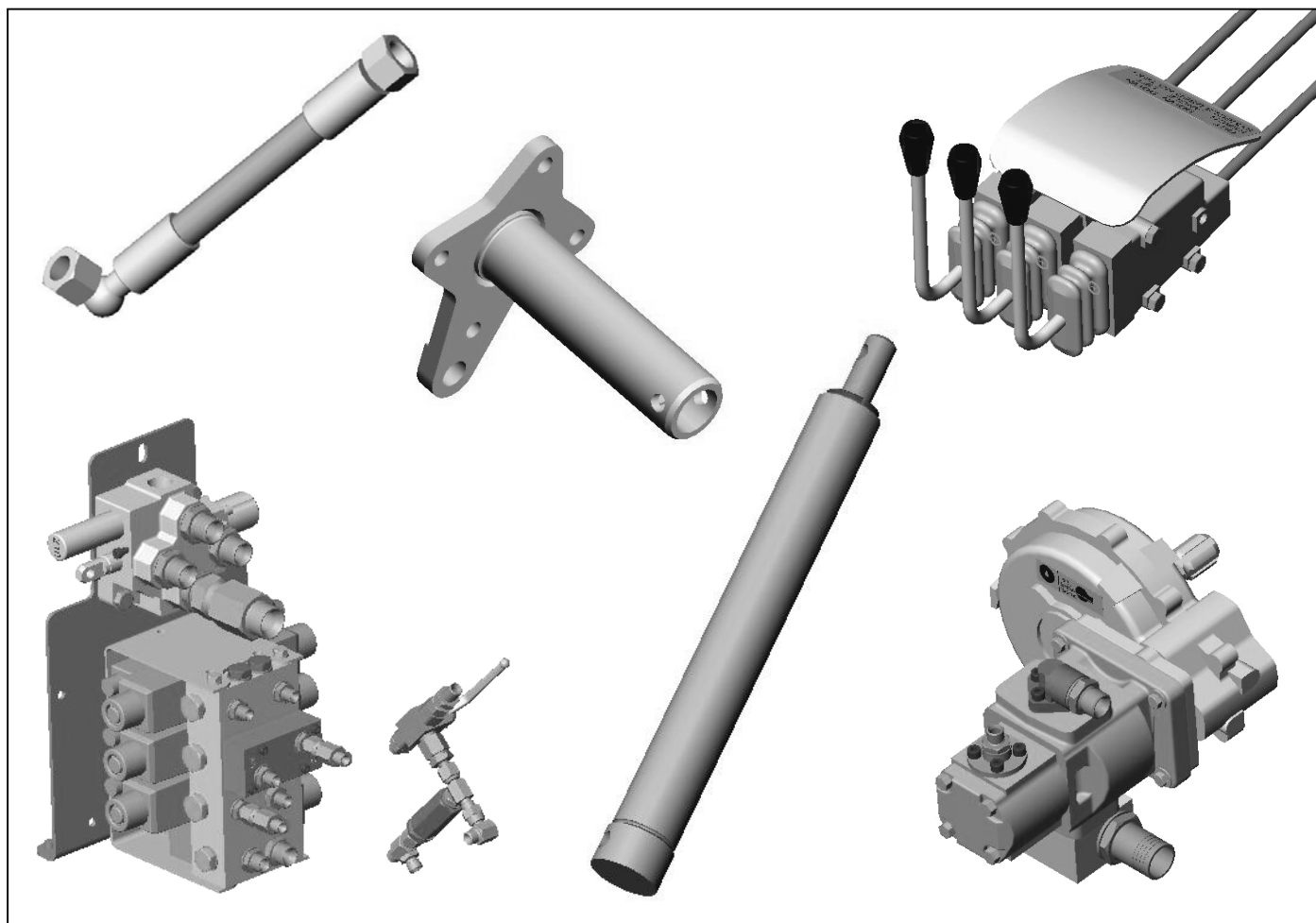
Publication 418
January 2002
Part No. 41570.18



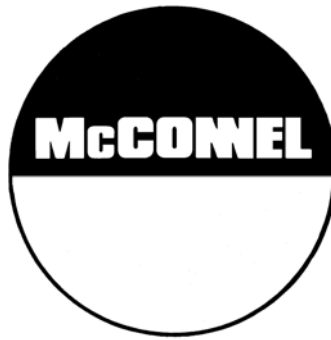
PA 47

HEDGE/GRASS TRIMMER

Parts Manual



McCONEl



For best performance...

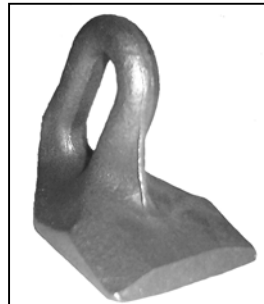
USE ONLY McCONNEL SERVICE PARTS

To be assured of the latest design improvements purchase your 'Genuine Replacements' from the Original Equipment Manufacturer: McCONNEL LIMITED through your local Dealer or Stockist.

Always quote:

- **Machine Type**
- **Serial Number**
- **Part Number**

Design Improvements may have altered some of the parts listed in this manual
The latest part will always be supplied when it is interchangeable with an earlier one.



CONTENTS

	Page
FRAME AND TANK	
Mainframe & Stabiliser	1
Rocker	3
Main Arm & Tension Link	5
Dipper Arm	7
Hydraulic Tank	9
PUMPS AND GEARBOXES	
Pump & Gearbox - <i>SI models</i>	11
Pump & Gearbox - <i>TI models</i>	13
Pump Assembly - <i>SI models</i>	15
Pump Assembly - <i>TI models</i>	17
Gearbox Assembly	19
ROTOR VALVES	
Control Assembly - <i>SI models</i>	21
Control Assembly - <i>TI models</i>	23
Rotor Relief Valve - <i>SI models</i>	25
Rotor Reverse Valve - <i>TI models</i>	27
ARMHEAD CONTROL VALVES	
Arm Control Valve	29
Control Valve - <i>Electric TI models</i>	31
Electric Control Valve	33
Solenoid Valve	35
Angle Float Kit - <i>Optional extra</i>	37
HYDRAULIC RAMS	
Angling Ram	39
Breakaway Ram	40
Lift Ram	41
Reach Ram	43
MACHINE CONTROLS	
Switchbox Controls & Loom	45
Monolever Controls & Loom	47
CONTROLS MOUNTING	
Cable Control Mounting	49
Control Mounting Pillar	50
CAB GUARD	
Cab Guard Kit	51
FLOAT KIT	
Float Kit Assembly	53

CONTENTS

	Page
HYDRAULIC INSTALLATIONS	
Hose Installation - Arms	55
Valve Hose Installation - <i>Cable SI & TI machines</i>	57
Valve Hose Installation - <i>Electric TI machines</i>	59
MACHINE COVERS	
Rear Covers	61
LIGHTING	
Lighting Kit	63
DECALS	
Machine Decals	65

MAINFRAME & STABILISER

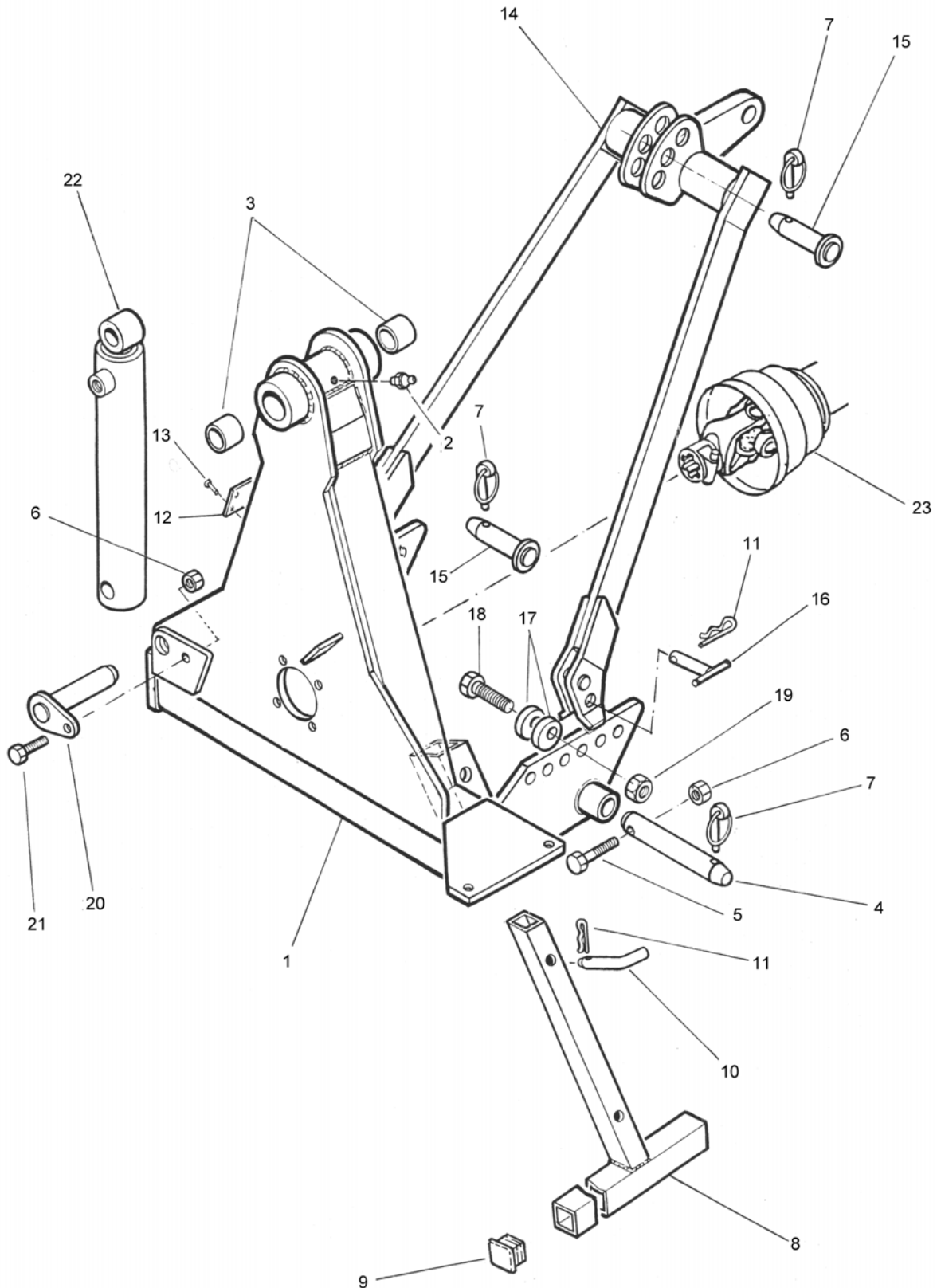
MODULES:

7447513 – Stabiliser

7447537 – Mainframe R/H

7447538 – Mainframe L/H

Illustrated in Left Hand build

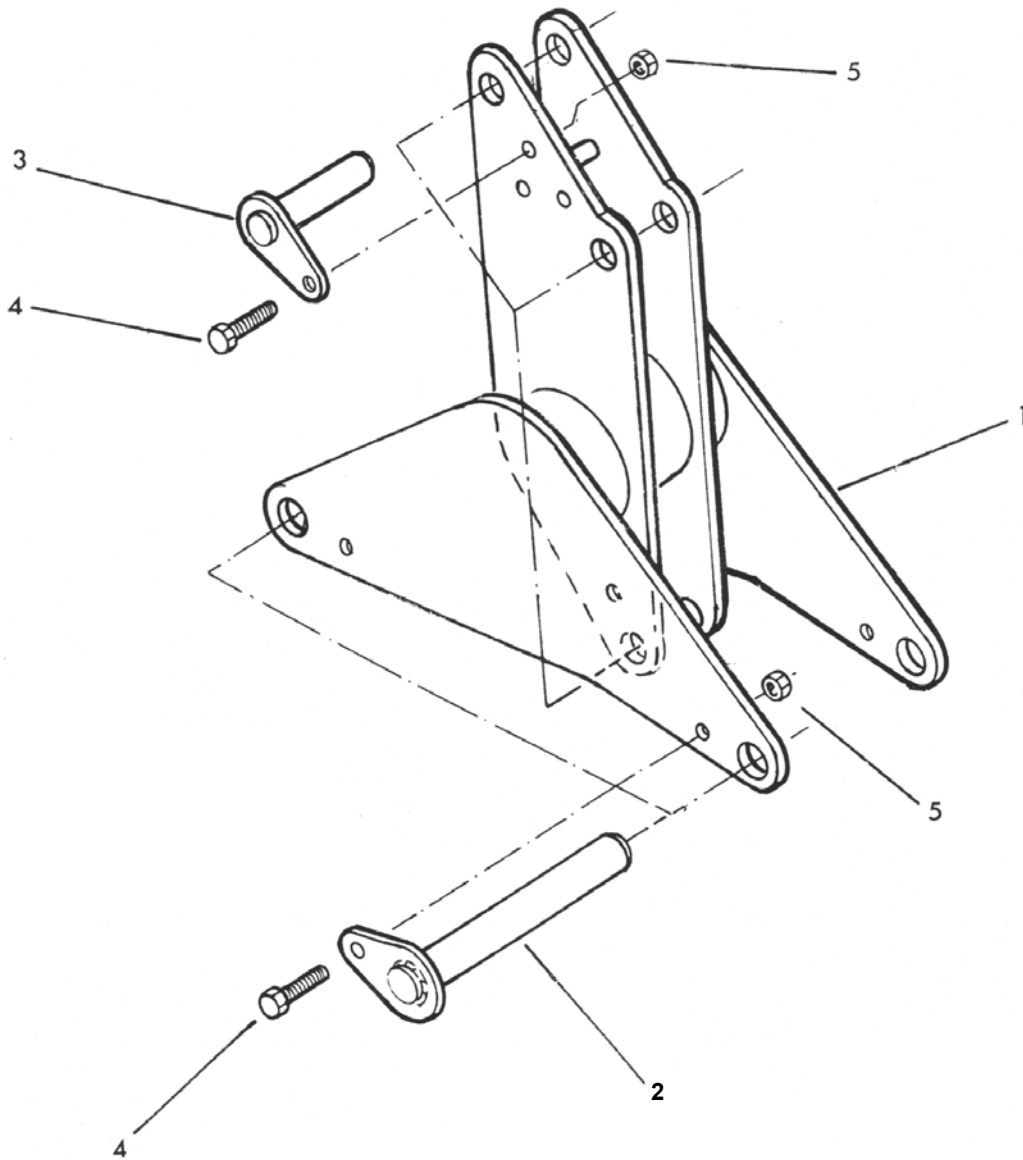



MAINFRAME & STABILISER

REF.	QTY.	PART No.	DESCRIPTION
		7447538	MAINFRAME ASSEMBLY - L/H
		7447537	MAINFRAME ASSEMBLY - R/H
1	1	41860.01	MAINFRAME - L/H
	1	41860.02	MAINFRAME - R/H
2	1	0901121	GREASER
3	2	7213023	BUSH
4	2	41899.01	LINKAGE PIN
5	2	9213125	BOLT
6	3	9143005	SELF LOCKING NUT
7	4	0431217	LINCH PIN
8	1	7198046	STAND LEG - L/H
	1	7198016	STAND LEG - R/H (<i>not illustrated</i>)
9	2	7191108	BUNG
10	2	7192023	LEG PIN
11	4	0431105	SPRING COTTER
12	1	1335246	SERIAL No. PLATE
13	4	7103230	POP RIVET
		7447513	STABILISER ASSEMBLY
14	1	41915.01	STABILISER
15	2	7118112	TOP LINK PIN
16	2	7192027	STABILISER PIN
17	4	7192080	ECCENTRIC COLLAR
18	2	9213148	BOLT
19	2	9143008	SELF LOCKING NUT
20	1	41692.03	PIVOT PIN - LIFT RAM BASE
21	1	9313065	SETSCREW
22	1	7198375	LIFT RAM ASSEMBLY
23	1	7114289	PTO SHAFT

ROCKER ASSEMBLY

MODULE:
7447504



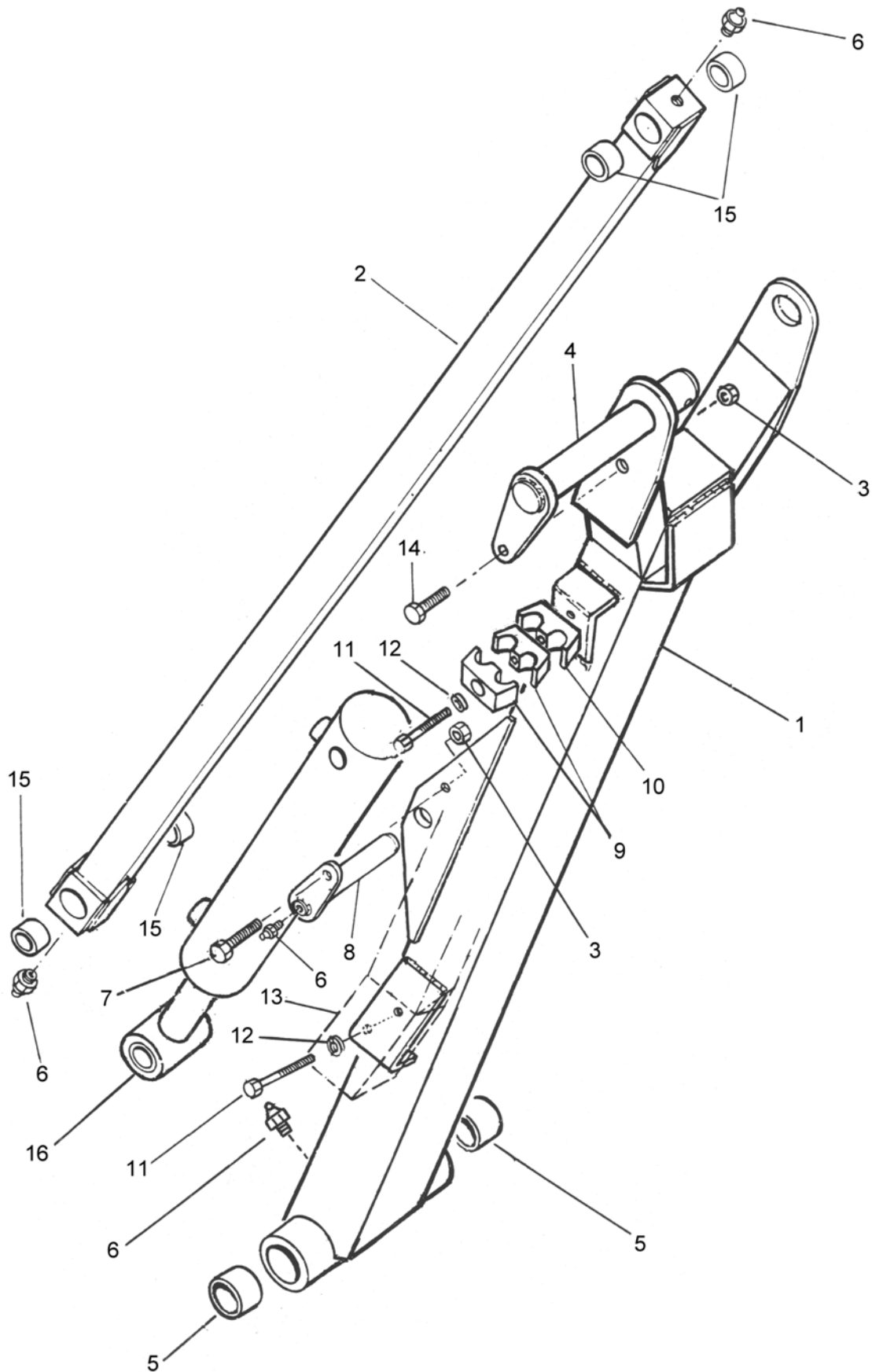
**ROCKER ASSEMBLY**

REF.	QTY.	PART No.	DESCRIPTION
		7447504	ROCKER ASSEMBLY
1	1	41861.01	ROCKER
2	2	7191033	PIVOT PIN - MAIN ARM / ROCKER
3	3	41692.02	PIVOT PIN - TENSION LINK / REACH RAM / LIFT RAM
4	5	9213065	BOLT
5	5	9143005	SELF LOCKING NUT

MAIN ARM & TENSION LINK

MODULES:
7447505 – R/H
7447506 – L/H

Illustrated in Left Hand build



**MAIN ARM & TENSION LINK**

REF.	QTY.	PART No.	DESCRIPTION
		7447506	MAIN ARM & TENSION LINK ASSEMBLY - L/H
		7447505	MAIN ARM & TENSION LINK ASSEMBLY - R/H
1	1	41862.01	MAIN ARM - L/H
	1	41862.02	MAIN ARM - R/H
2	1	41662.03	TENSION LINK
3	1	7191033	PIVOT PIN - DIPPER ARM
4	2	9143005	SELF LOCKING NUT
5	2	7213023	BUSH
6	4	0901121	GREASER
7	2	9313075	SETSCREW
8	1	41692.03	PIVOT PIN - REACH BASE
9	2	7190148	HOSE CLAMP
10	1	7193063	HOSE CLAMP
11	2	9213205	BOLT
12	2	9100105	PLAIN WASHER
13	1	7198341	HOSE COVER
14	1	9313075	BOLT
15	4	6012032	BUSH
16	1	7198376	REACH RAM ASSEMBLY



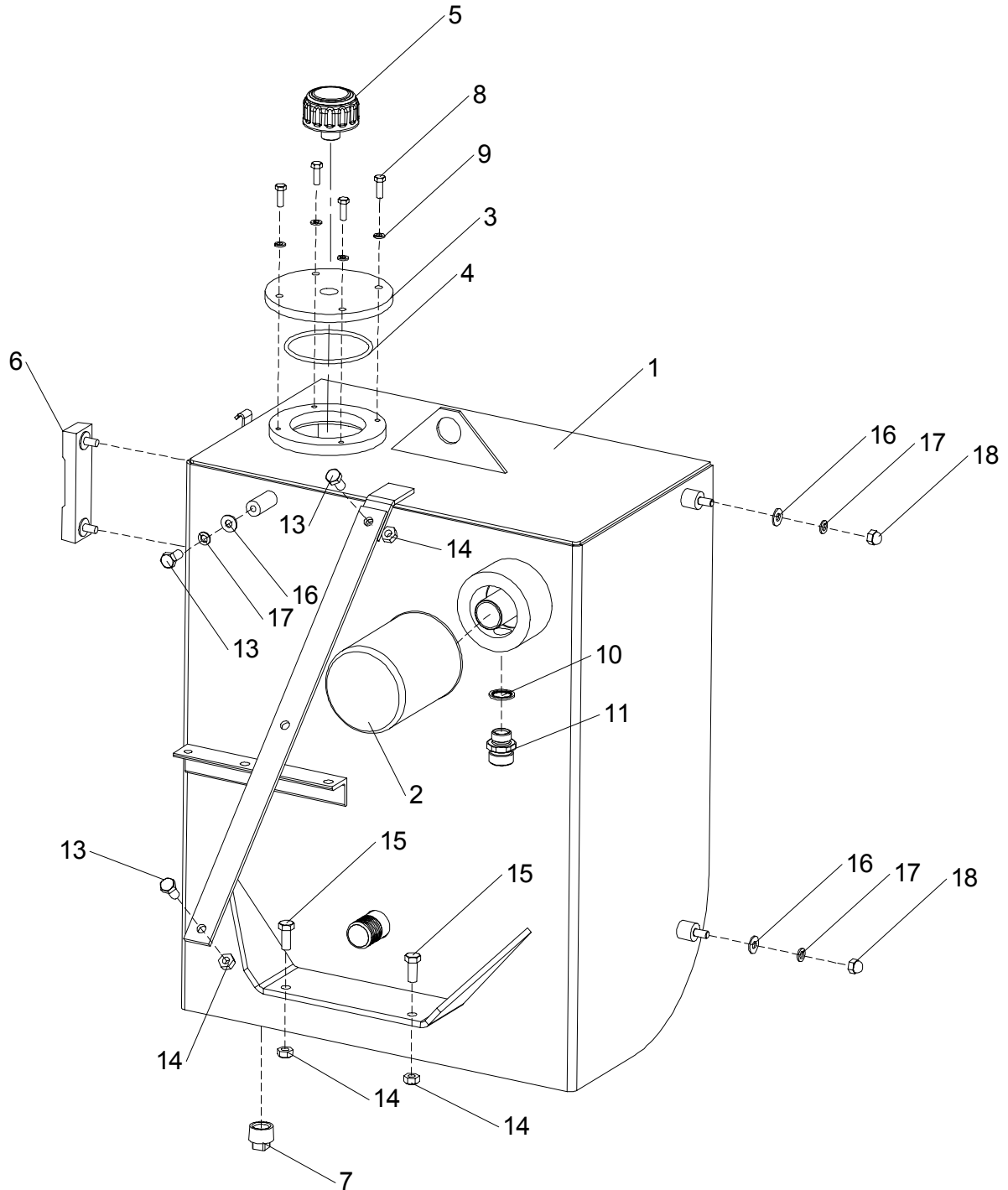
DIPPER ARM ASSEMBLY

REF.	QTY.	PART No.	DESCRIPTION
		7447508	DIPPER ARM ASSEMBLY - L/H
		7447507	DIPPER ARM ASSEMBLY - R/H
1	1	41869.01	DIPPER ARM UPPER - L/H
	1	41869.02	DIPPER ARM UPPER - R/H (<i>not illustrated</i>)
2	4	7213023	BUSH
3	1	41692.04	PIVOT PIN - TENSION LINK
4	2	9313055	SETSCREW M10 x 25
5	8	9143005	SELF LOCKING NUT
6	1	7191036	PIVOT PIN - BREAKAWAY RAM BASE
7	2	0431105	SPRING COTTER
8	1	7198357	BREAKAWAY RAM
9	1	41870.01	DIPPER ARM - LOWER - L/H
	1	41870.02	DIPPER ARM - LOWER - R/H (<i>not illustrated</i>)
10	2	7136035	BUSH
11	6	41690.01	BUSH
12	2	7198077	HOSE CLAMP
13	2	9213114	BOLT M8 x 55
14	1	7198015	PIVOT PIN - DIPPER LOWER
15	2	9313075	SETSCREW M10 x 35
16	1	7191037	PIVOT PIN - BREAKAWAY RAM ROD
17	1	9313065	SETSCREW M10 x 30
18	1	7560344	ANGLE RAM
19	1	7192093	PIVOT PIN - ANGLE RAM BASE
20	4	9501406	SPLIT PIN
21	1	7450251	RADIUS ARM
22	1	7450250	RADIUS ARM
23	1	7450252	SLAVE LINK
24	7	0901121	GREASER 1/8" BSP - STRAIGHT
25	1	41693.01	PIVOT PIN - ANGLE RAM ROD
26	1	7192308	HEAD PIVOT TUBE
27	1	7192316	JAW PLATE
28	1	0423548	SPRING DOWEL
29	1	9213185	BOLT M10 x 90
30	1	7192009	PIVOT PIN - SLAVE LINK
31	1	0311126	BOLT 5/8" UNF x 1 1/2" LONG
32	1	0211146	BOLT 5/8" UNF x 1 3/4" LONG
33	2	0146006	SELF LOCKING NUT 5/8" UNF
34	1	7192321	HOSE JUNCTION BRACKET
35	2	9313045	SETSCREW M10 x 20
36	1	7198333	HOSE TRAY
37	2	9113004	SELF LOCKING NUT M8
38	4	9100104	PLAIN WASHER - DIA. 8
39	1	7198335	HOSE COVER
40	1	7198363	TRANSPORT LOCK PIN

HYDRAULIC TANK ASSEMBLY

MODULES:
7447541 – L/H
45243.06 – R/H

Illustrated in Left Hand build



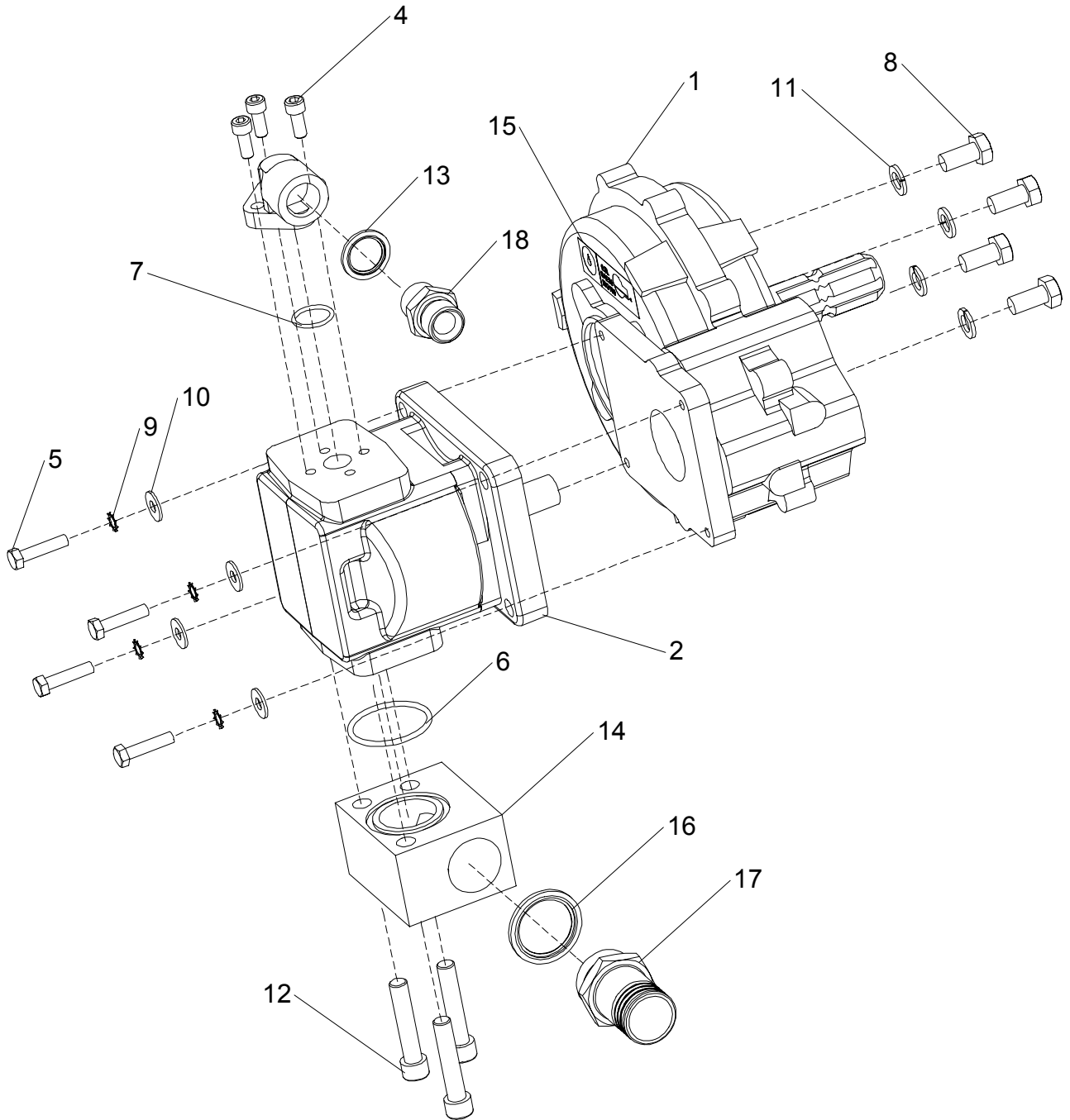


HYDRAULIC TANK ASSEMBLY

REF.	QTY.	PART No.	DESCRIPTION
		7447541	HYDRAULIC TANK ASSEMBLY L/H
		45243.06	HYDRAULIC TANK ASSEMBLY R/H
1	1	45243.05	TANK L/H
	1	45243.06	TANK R/H (<i>not illustrated</i>)
2	1	8401041	FILTER ELEMENT
3	1	7192063	COVER PLATE - TAPPED
4	1	8600151	'O' RING 348
5	1	8401063	TANK BREATHER
6	1	8401048	LEVEL GAUGE
7	1	8581203	TAPER PLUG 1" BSP HOLLOW
8	4	9313054	SETSCREW M8 x 25
9	4	9100204	SPRING WASHER M8
10	1	8650106	BONDED SEAL 3/4" BSP MM
11	1	8002086	ADAPTOR 3/4" x 1" BSP MM
12	1	45865.01	TANK STRAP
13	2	9313056	SETSCREW M12 x 25
14	4	9143006	SELF LOCKING NUT M12
15	2	9313066	SETSCREW M12 x 30
16	3	9100105	FLAT WASHER M10
17	3	9100205	SPRING WASHER M10
18	2	9100025	DOME NUT M10
19	1	9313035	SETSCREW M10 x 16

PUMP & GEARBOX – SI models

**MODULE:
7447553**

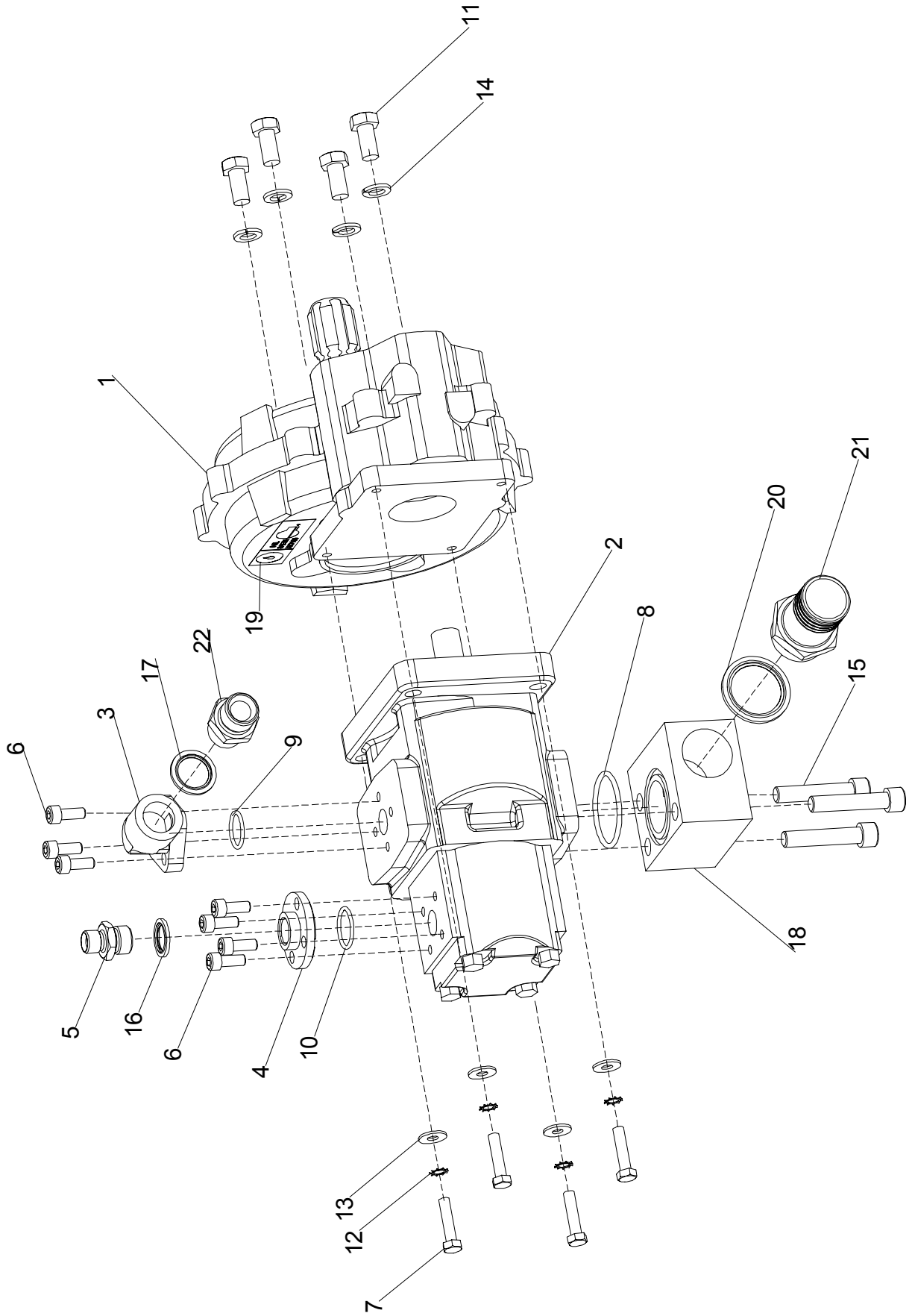



PUMP & GEARBOX – SI models

REF.	QTY.	PART No.	DESCRIPTION
		7447553	PUMP & GEARBOX ASSEMBLY - SI
1	1	8013444ap	GEARBOX LS 4.3
2	1	8201711	PUMP - SI
3	1	8005052	PRESSURE CONNECTION - <i>includes:</i>
4	3	9300147	CAPSCREW M8 x 20
	1	8600403	'O' RING 119 *
5	4	9313074	SETSCREW M8 x 35
6	1	8600304	'O' RING 226
7	1	8600403	'O' RING 119 - * (<i>included in item 3</i>)
8	4	9313056	SETSCREW M12 x 25
9	4	9100404	M8 SHAKEPROOF WASHER
10	4	9100104	FLAT WASHER M8
11	4	9100206	SPRING WASHER M12
12	3	9243126	CAPSCREW M12 x 60
13	1	8650106	BONDED SEAL 3/4" BSP
14	1	42142.01	BLOCK SUCTION
15	1	1290054	GEARBOX LABEL
16	1	8650109	BONDED SEAL 1.25" BSP
17	1	8581260	ADAPTOR 1.25" BSP x 1.5" - LOW PRESSURE
18	1	8581136	ADAPTOR 3/4" BSP MM

PUMP & GEARBOX – TI models

MODULE:
7447555



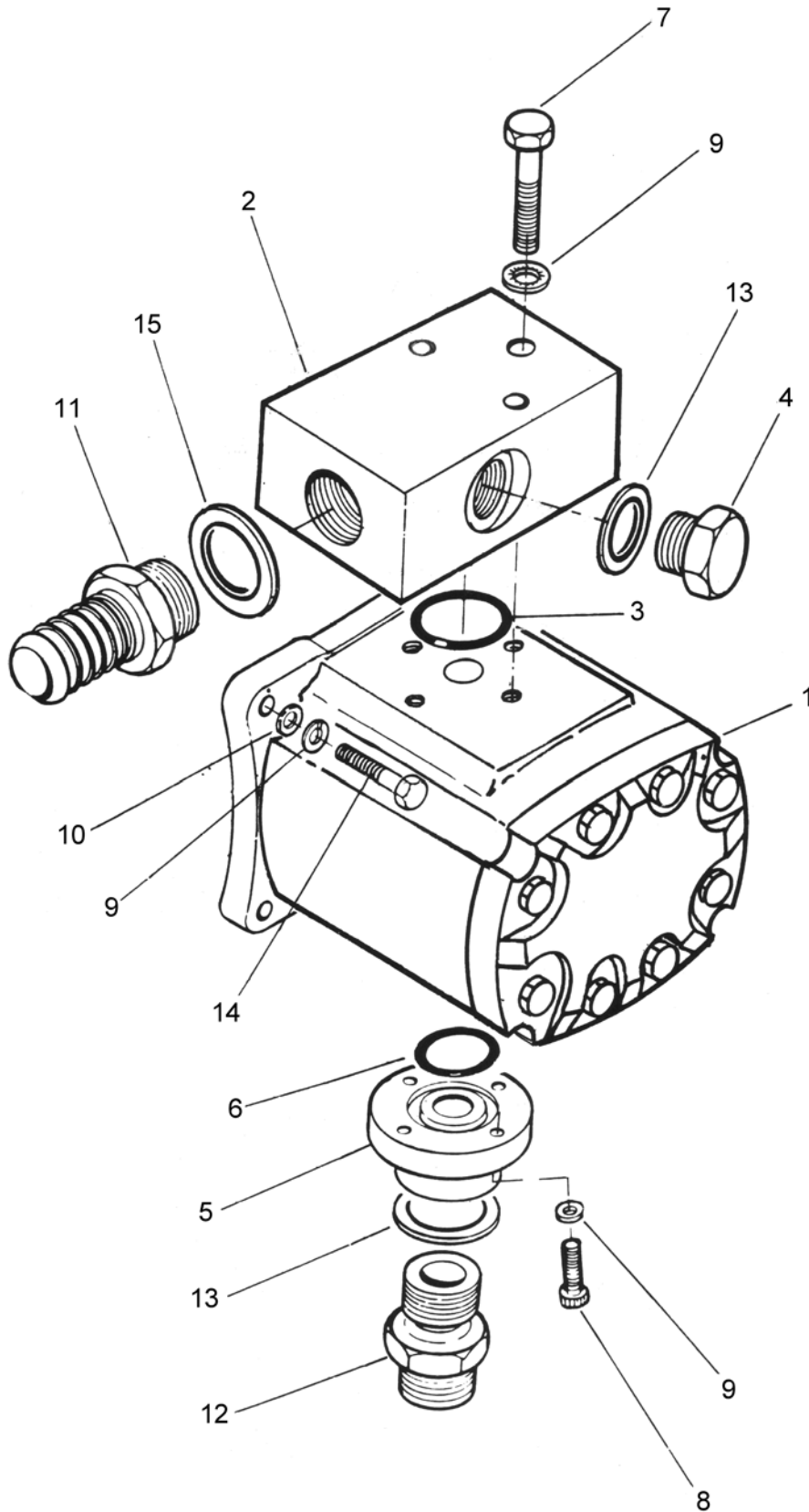

PUMP & GEARBOX – TI models

REF.	QTY.	PART No.	DESCRIPTION
		7447555	PUMP & GEARBOX ASSEMBLY - TI
1	1	8013444ap	GEARBOX LS 4.3
2	1	8201710	PUMP - IRON TI
3	1	8005052	PRESSURE CONNECTION - <i>includes:</i>
	3	9300147	CAPSCREW M8 x 20 *
	1	8600403	'O' RING 119 *
4	1	42029.01	PORT PLATE 1/2" BSP
5	1	6000112	ADAPTOR 3/8" x 1/2" BSP MM
6	7	9300147	CAPSCREW M8 x 20 - * (3 off included in item 3)
7	4	9313074	SETSCREW M8 x 35
8	1	8600304	'O' RING 226
9	1	8600403	'O' RING 119 - * (included in item 3)
10	1	8600405	'O' RING 121
11	4	9313056	SETSCREW M12 x 25
12	4	9100404	SHAKEPROOF WASHER M8
13	4	9100104	FLAT WASHER M8
14	4	9100206	SPRING WASHER M12
15	3	9243126	CAPSCREW M12 x 60
16	1	8650104	BONDED SEAL 1/2" BSP
17	1	8650106	BONDED SEAL 3/4" BSP
18	1	42142.01	BLOCK SUCTION
19	1	1290054	GEARBOX LABEL
20	1	8650109	BONDED SEAL 1.25" BSP
21	1	8581260	ADAPTOR 1.25" BSP x 1.5" - LOW PRESSURE
22	1	8581136	ADAPTOR 3/4" BSP MM

PUMP ASSEMBLY – SI models

MODULES:
8013511 – L/H SI
8013507 – R/H SI

Illustrated in Left Hand build



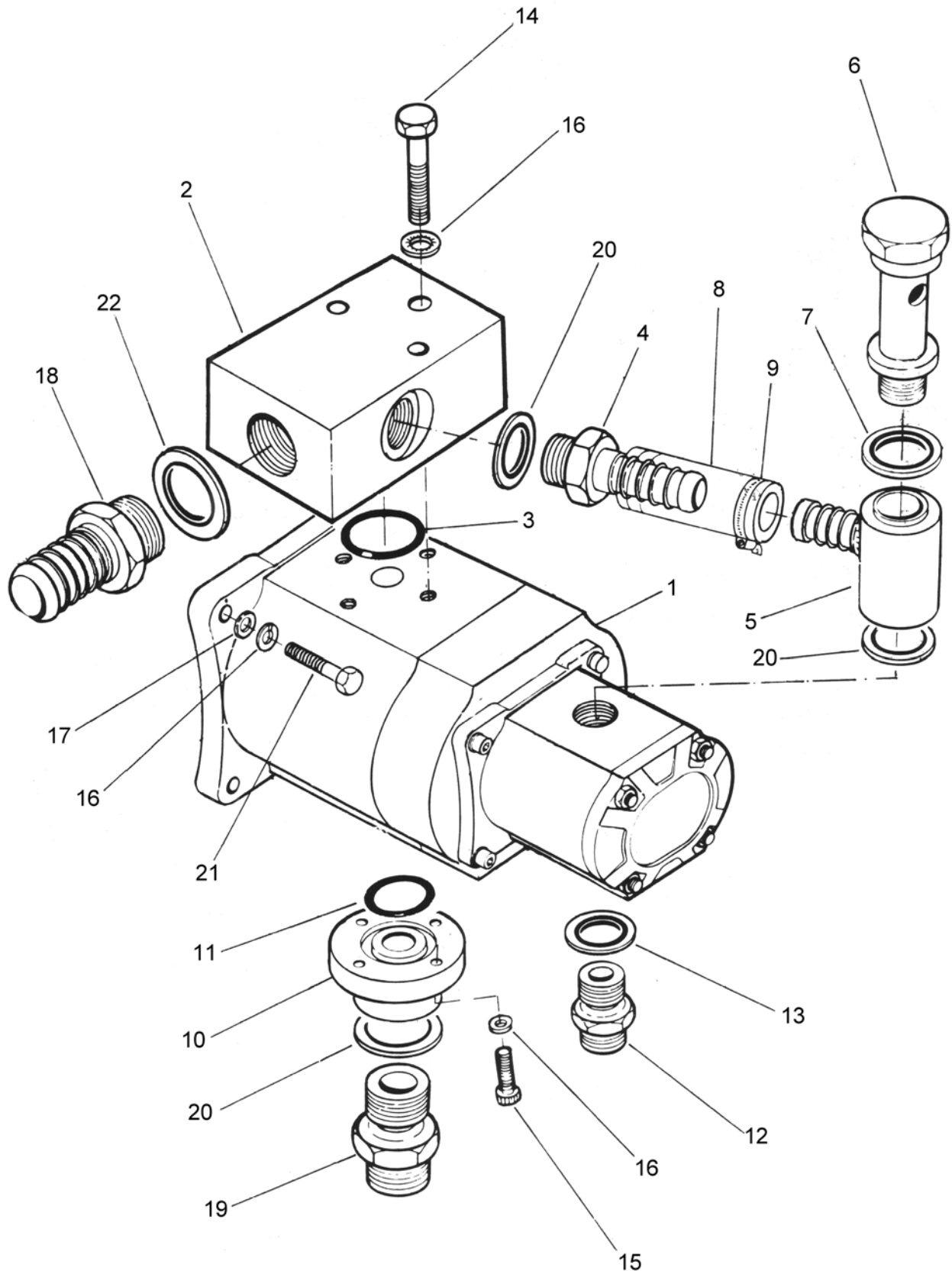

PUMP ASSEMBLY – SI models

REF.	QTY.	PART No.	DESCRIPTION
		8013511	SI PUMP ASSEMBLY - L/H BUILD
		8013507	SI PUMP ASSEMBLY - R/H BUILD
1	1	8201463	PUMP
2	1	7192371	SUCTION BLOCK - L/H BUILD
	1	7192372	SUCTION BLOCK - R/H BUILD (<i>not illustrated</i>)
3	1	8600122	'O' RING
4	1	8581302	PLUG
5	1	8013088	PUMP FLANGE
6	1	8600119	'O' RING
7	3	9213144	BOLT
8	4	9313054	SETSCREW
9	11	9100404	SHAKEPROOF WASHER
10	4	9100104	PLAIN WASHER
11	1	8581260	ADAPTOR
12	1	8581136	UNION
13	2	8650106	BONDED SEAL
14	4	9213094	BOLT
15	3	8650109	BONDED SEAL
		8699231	PUMP SEAL KIT

PUMP ASSEMBLY – TI models

MODULES:
8013549 – L/H TI
8013505 – R/H TI

Illustrated in Left Hand build

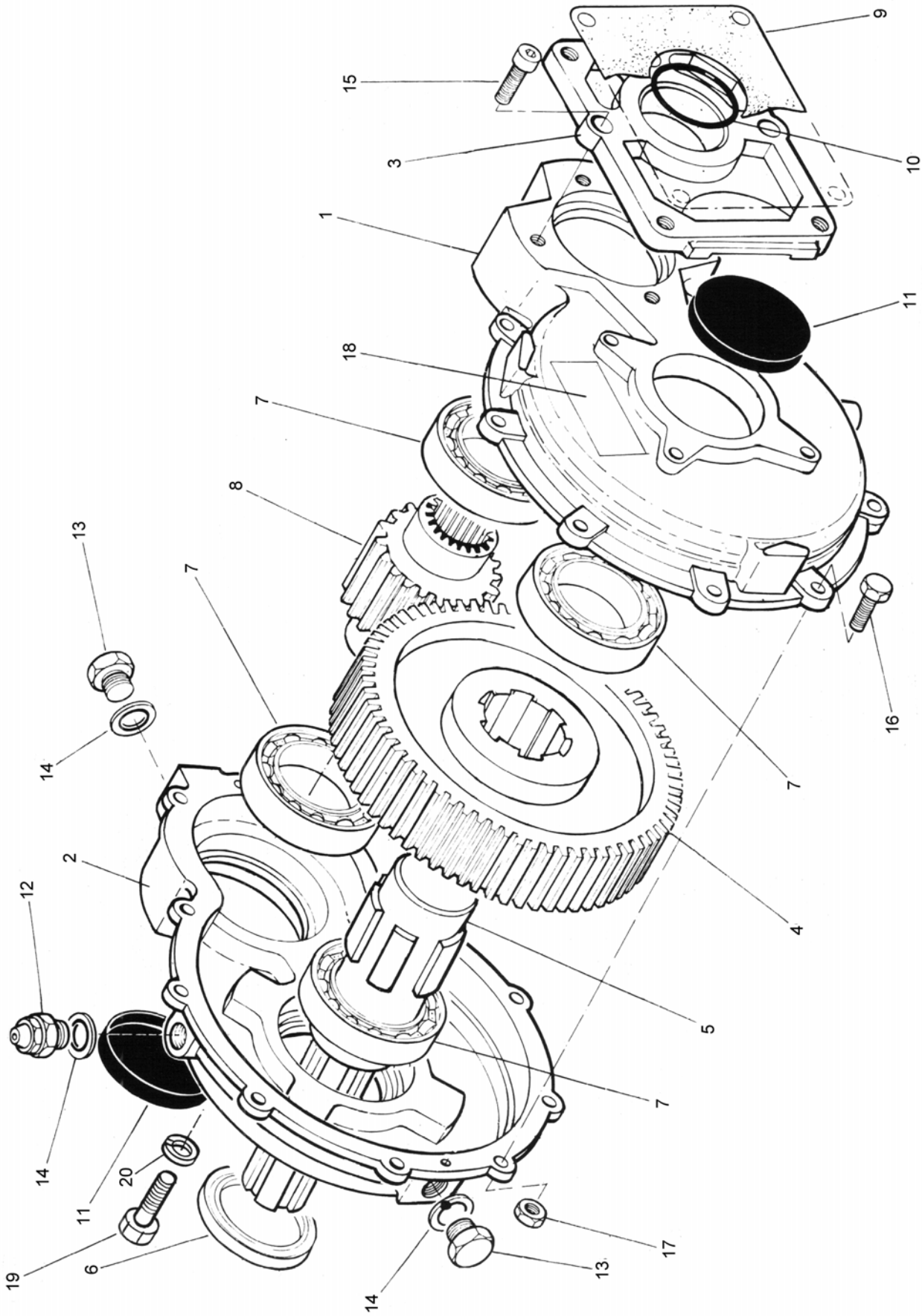



PUMP ASSEMBLY – TI models

REF.	QTY.	PART No.	DESCRIPTION
		8013549	TI PUMP ASSEMBLY - L/H BUILD
		8013505	TI PUMP ASSEMBLY - R/H BUILD
1	1	8201466	TANDEM PUMP - <i>comprising of:</i>
	1	8201684	LARGE PUMP
	1	8201677	SMALL PUMP
2	1	7192371	SUCTION BLOCK - L/H BUILD
	1	7192372	SUCTION BLOCK - R/H BUILD (<i>not illustrated</i>)
3	1	8600122	'O' RING
4	1	8581301	ADAPTOR - LOW PRESSURE
5	1	8013096	BANJO
6	1	8013095	BANJO BOLT
7	1	8650107	BONDED SEAL
8	1	8501213	CONNECTING HOSE
9	2	0904204	HOSE CLIP
10	1	8013088	PUMP FLANGE
11	1	8600119	'O' RING
12	1	8581110	ADAPTOR
13	1	8550104	BONDED SEAL
14	3	9213144	BOLT
15	4	9313054	SETSCREW
16	11	9100404	SHAKEPROOF WASHER
17	4	9100104	PLAIN WASHER
18	1	8581260	ADAPTOR - LOW PRESSURE
19	1	8581136	UNION
20	3	8650106	BONDED SEAL
21	4	9213094	BOLT
22	1	8650109	BONDED SEAL
		8699231	PUMP SEAL KIT

GEARBOX ASSEMBLY

MODULE:
8013444



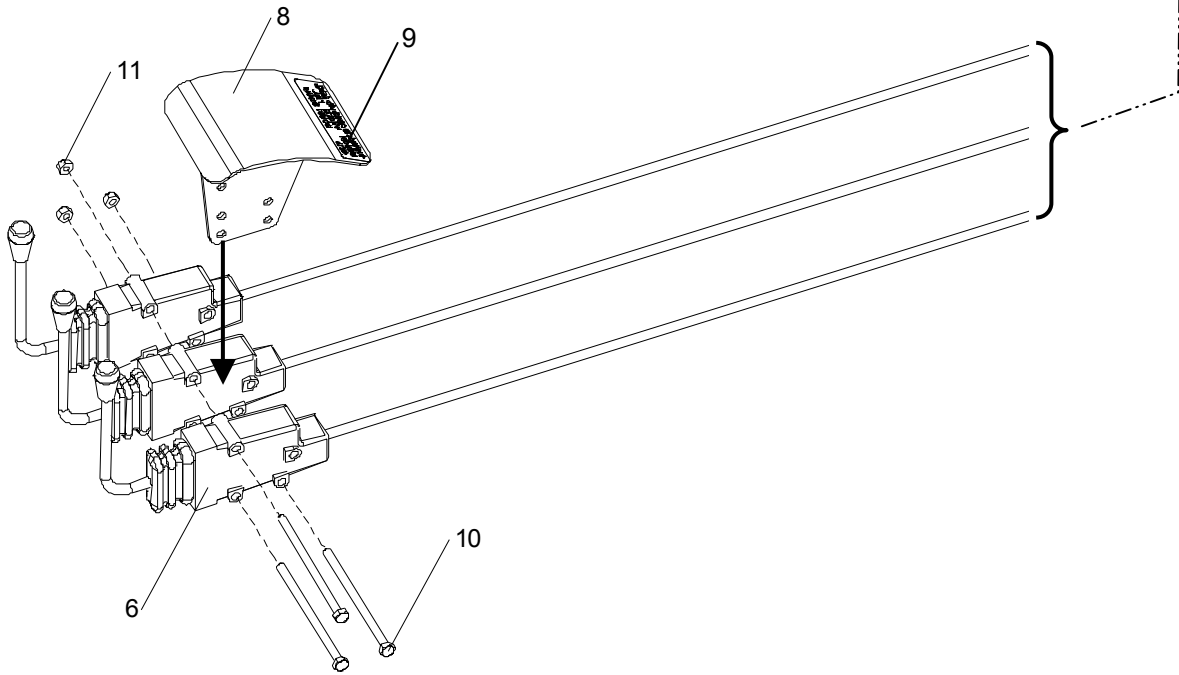
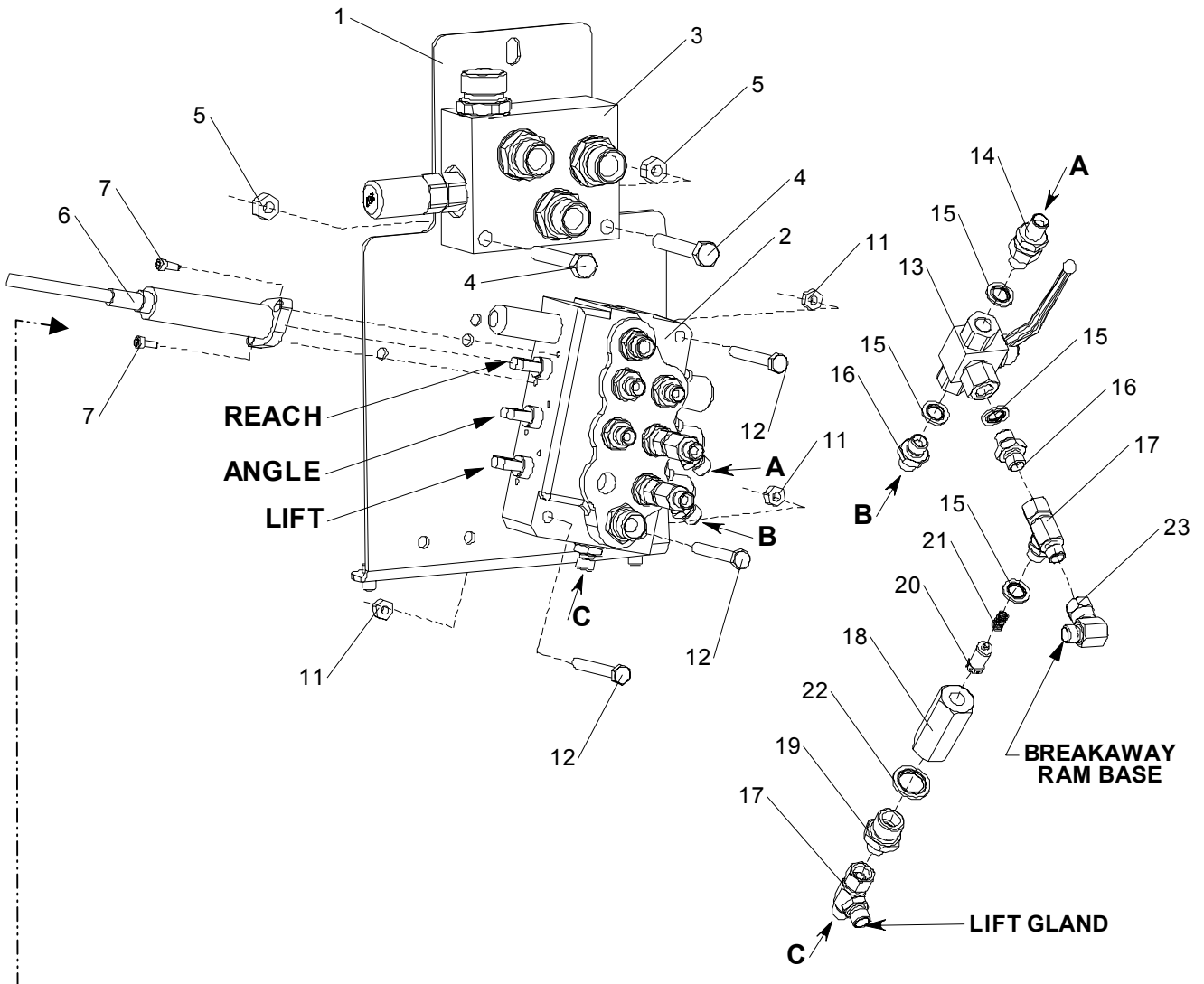
**GEARBOX ASSEMBLY**

REF.	QTY.	PART No.	DESCRIPTION
		8013444	GEARBOX ASSEMBLY
1	1	8013100	CASE - OUTPUT SIDE
2	1	8013101	CASE - INPUT SIDE
3	1	8013102	PUMP MOUNTING FLANGE
4	1	8013103	GEAR 72t
5	1	8013105	SHAFT
6	1	8629196	SHAFT SEAL
7	4	0600042	BEARING
8	1	8013104	PINION 17t
9	1	8013056	GASKET
10	1	8600523	'O' RING
11	2	8013106	END COVER
12	1	8013107	BREATHER ADAPTOR
13	4	8581133	PLUG
14	4	8650102	BONDED SEAL
15	3	9343045	CAPSCREW - SOCKET HEADED
16	10	9213064	BOLT
17	10	9143004	SELF LOCKING NUT
18	1	1290054	DECAL
19	4	9313056	SETSCREW
20	4	9100206	SPRING WASHER

CONTROL ASSEMBLY - SI models

MODULES:
7447528 - L/H
7447529 - R/H

Illustrated in Left Hand build



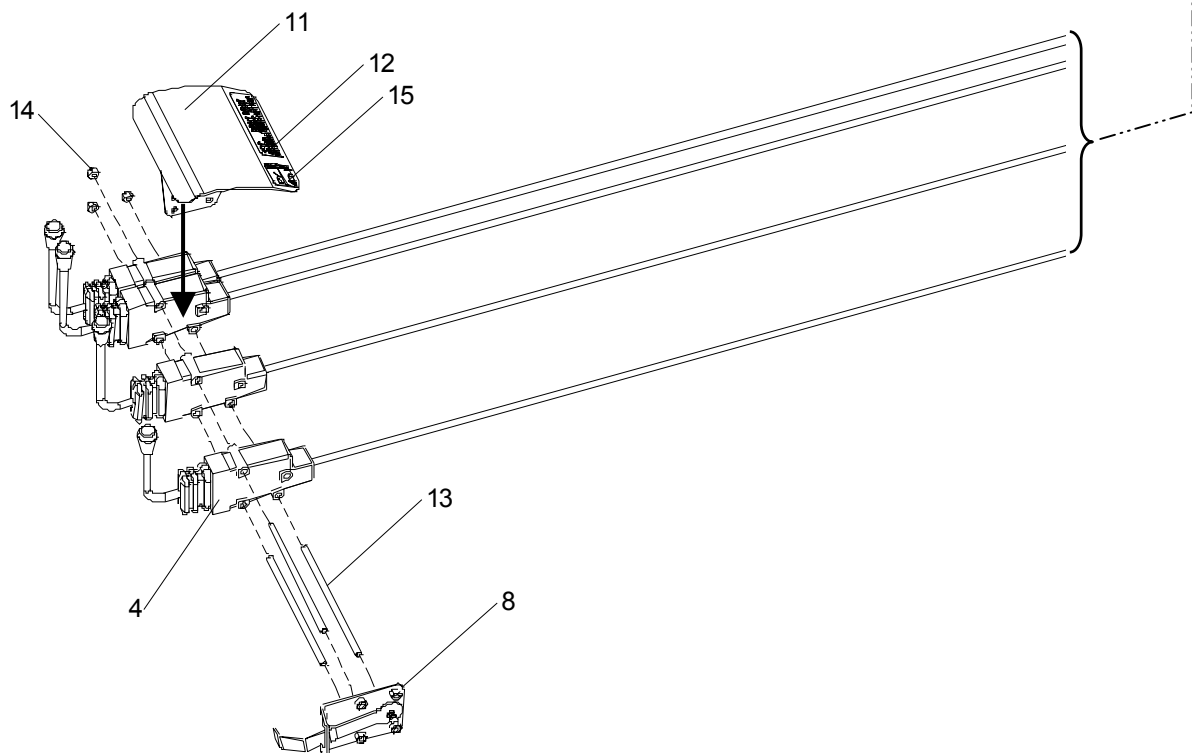
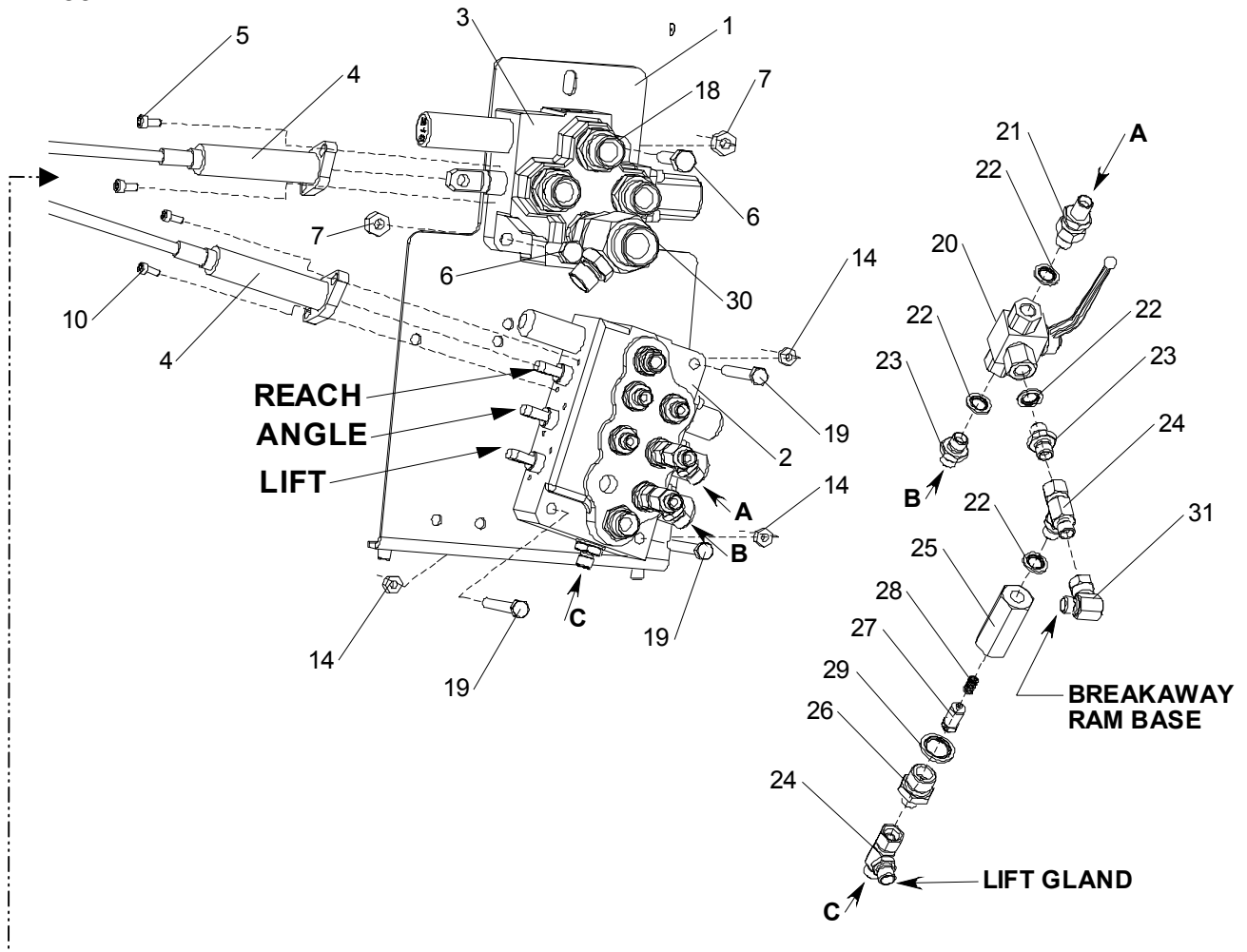
**CONTROL ASSEMBLY - SI models**

REF.	QTY.	PART No.	DESCRIPTION
		7447528	CONTROL ASSEMBLY - SI L/H
		7447529	CONTROL ASSEMBLY - SI R/H
1	1	45850.01	VALVE BRACKET
2	1	8130589	ACV ASSEMBLY
3	1	8125411	ROTOR RELIEF ASSEMBLY
4	2	9213135	BOLT
5	2	9143005	SELF-LOCKING NUT M10
6	3	04.265.82	CABLE ASSEMBLY 2.5m ARM
7	6	9243022	CAPSCREW M5 x 12
8	1	42256.02	ARM REST
9	1	1290368	CONTROL STICKER
10	3	9213284	BOLT M8 x 140
11	6	9143004	SELF-LOCKING NUT M8
12	3	9213124	BOLT
13	1	41392.01	TAP 3 WAY BALL VALVE
14	1	7105153	ADAPTOR BULKHEAD 1/4" BSP
15	4	8650102	BONDED SEAL 1/4" BSP
16	2	8581169	ADAPTOR 1/4" BSP MM
17	2	8581254	ADAPTOR TEE 1/4" BSP MFM
18	1	8130156	ADAPTOR RELIEF HOUSING
19	1	8130083	ADAPTOR RELIEF BODY
20	1	8130029	RELIEF VALVE 175BAR
21	1	8116011	SPRING OD.275 x 5/8" LONG
22	1	8650104	BONDED SEAL 1/2" BSP
23	1	8581190	ADAPTOR ELBOW 90 1/4" BSP MF
24	3	10.002.06	HOSE FS/F90 1/4"BSP x 300mm (<i>not illustrated</i>)

CONTROL ASSEMBLY - TI models

MODULES:
7447530 - L/H TI
7447531 - R/H TI

Illustrated in Left Hand build



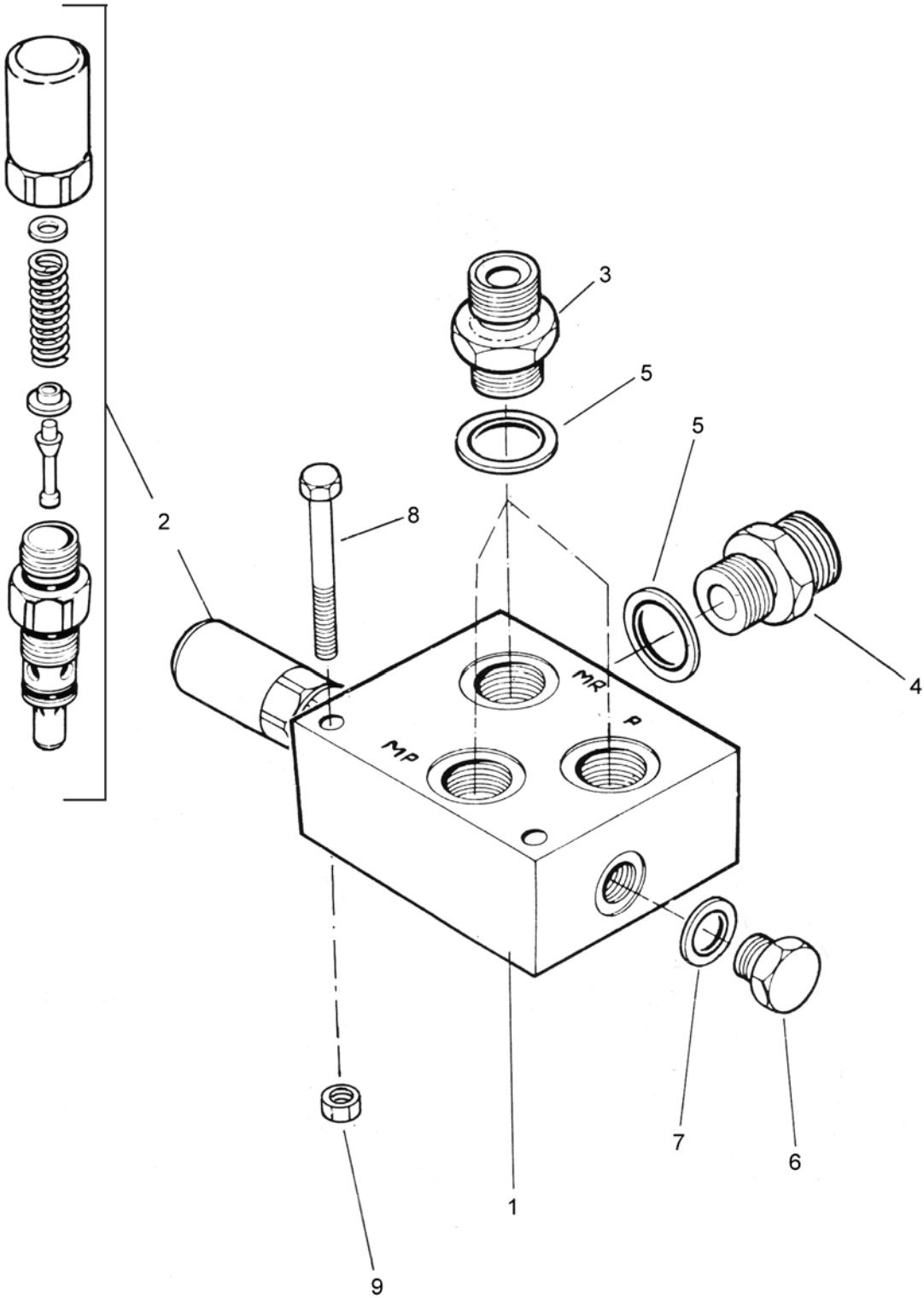
**CONTROL ASSEMBLY - TI models**

REF.	QTY.	PART No.	DESCRIPTION
		7447530	CONTROL ASSEMBLY - TI L/H
		7447531	CONTROL ASSEMBLY - TI R/H
1	1	45850.01	VALVE BRACKET
2	1	8130589	ACV ASSEMBLY
3	1	8125355	ROTOR CONTROL VALVE - L/H BUILD
	1	8125385	ROTOR CONTROL VALVE - R/H BUILD (<i>not illustrated</i>)
4	2	04.265.92	CABLE ASSEMBLY 2.5m ROTOR
5	2	9343023	CAPSCREW M6 x 12
6	2	9213085	BOLT M10 x 40
7	2	9143005	SELF-LOCKING NUT M10
8	1	42511.01	BALKING ASSEMBLY MORSE CABLES
9	3	04.265.82	CABLE ASSEMBLY 2.5m - ARM
10	6	9243022	CAPSCREW M5 x 12
11	1	42256.01	ARM REST 4 BANK
12	1	1290368	CONTROL STICKER
13	3	04.282.01	STUD M8 x 196
14	6	9143004	SELF-LOCKING NUT M8
15	1	1290338	DECAL - ROTOR REVERSE
16	4	8650106	BONDED SEAL 3/4" BSP
17	1	8002086	ADAPTOR 3/4" x 1" BSP MM
18	3	8581136	ADAPTOR 3/4" BSP MM
19	3	9213124	BOLT
20	1	41392.01	TAP 3WAY BALL VALVE
21	1	7105153	ADAPTOR BULKHEAD 1/4" BSP
22	4	8650102	BONDED SEAL 1/4" BSP
23	2	8581169	ADAPTOR 1/4" BSP MM
24	2	8581254	ADAPTOR TEE 1/4" BSP MFM
25	1	8130156	ADAPTOR RELIEF HOUSING
26	1	8130083	ADAPTOR RELIEF BODY
27	1	8130029	RELIEF VALVE 175BAR
28	1	8116011	SPRING OD.275 x 5/8" LONG
29	1	8650104	BONDED SEAL 1/2" BSP
30	1	04.056.34	ADAPTOR TEE 1" MF+1/2" BSP
31	1	8581190	ADAPTOR ELBOW 90 1/4" BSP MF
32	3	10.002.06	HOSE FS/F90 1/4"BSP x 300mm (<i>not illustrated</i>)

ROTOR RELIEF VALVE - SI models

MODULE:
8125411

Illustrated in Left Hand build



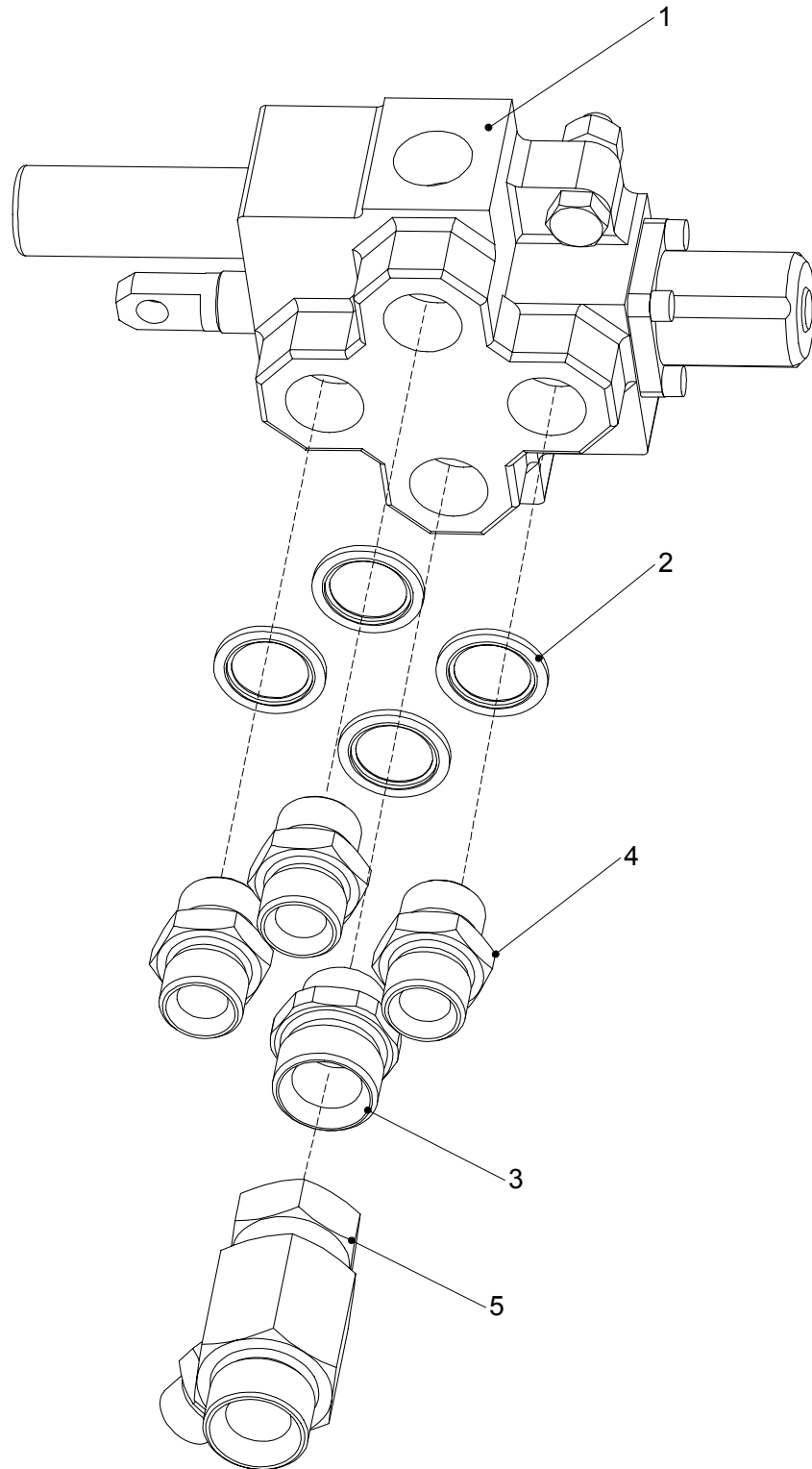
**ROTOR RELIEF VALVE - SI models**

REF.	QTY.	PART No.	DESCRIPTION
		8125411	ROTOR RELIEF VALVE ASSEMBLY - SI MODELS
1	1	8125352	VALVE BLOCK
2	1	8125095	RELIEF VALVE CARTRIDGE - <i>incl. 'O' rings</i>
3	3	8581136	UNION
4	1	8002086	ADAPTOR
5	4	8650106	BONDED SEAL
6	1	8003001	PLUG
7	1	8650103	BONDED SEAL
8	2	9213135	BOLT
9	2	9143005	SELF LOCKING NUT

ROTOR REVERSE VALVE

MODULES:
8125355 - L/H
8125385 - R/H

Illustrated in Left Hand build

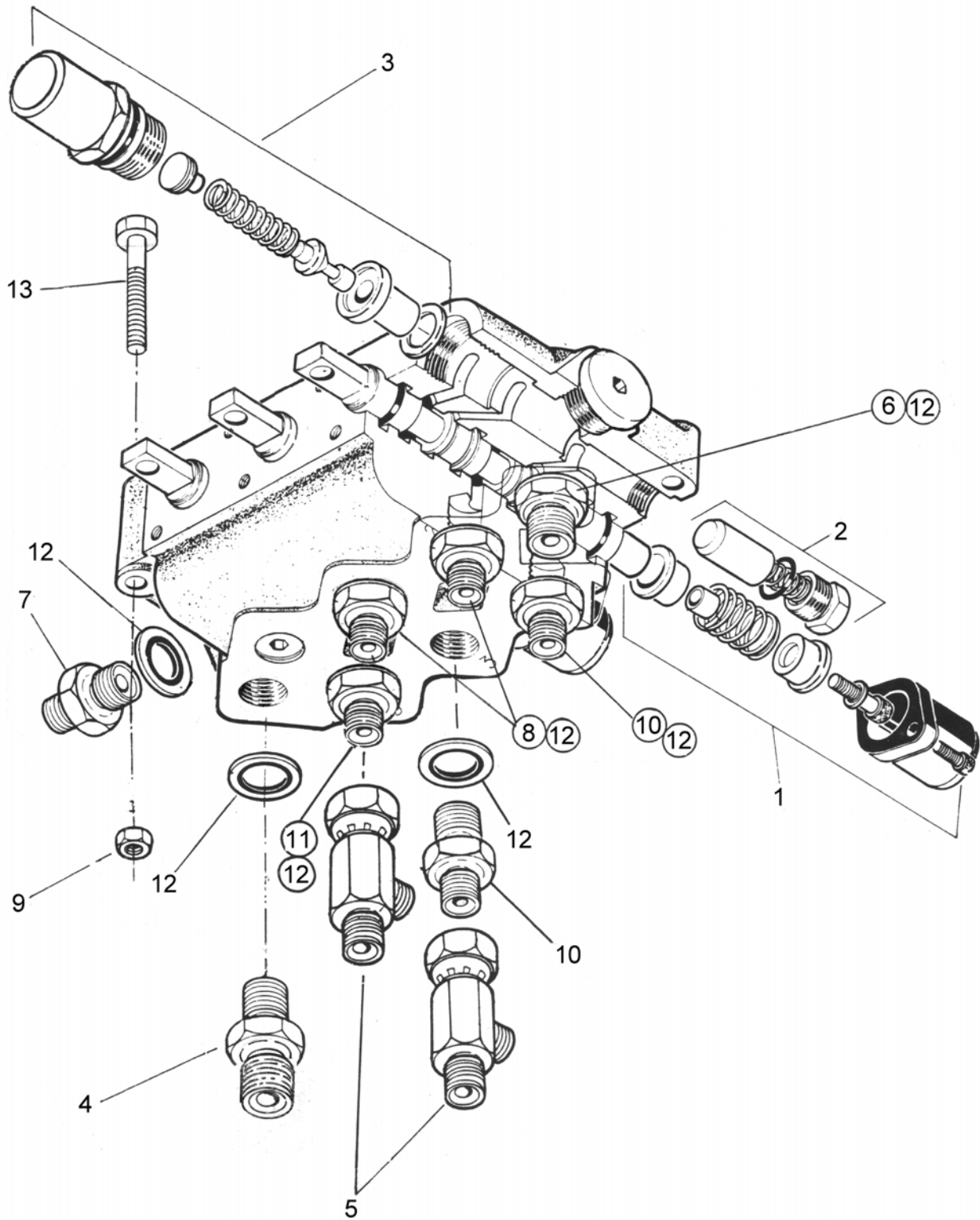


**ROTOR REVERSE VALVE**

REF.	QTY.	PART No.	DESCRIPTION
		8125355	ROTOR REVERSE VALVE - L/H
		8125385	ROTOR REVERSE VALVE - R/H
1	1	8125355	ROTOR REVERSE VALVE
2	4	8650106	BONDED SEAL 3/4"BSP
3	1	8002086	ADAPTOR 3/4 x 1" BSP MM
4	3	8581136	ADAPTOR 3/4" BSP MM
5	1	04.056.34	ADAPTOR TEE 1" MF + 1/2" BSP

ARM CONTROL VALVE

MODULE:
8130589



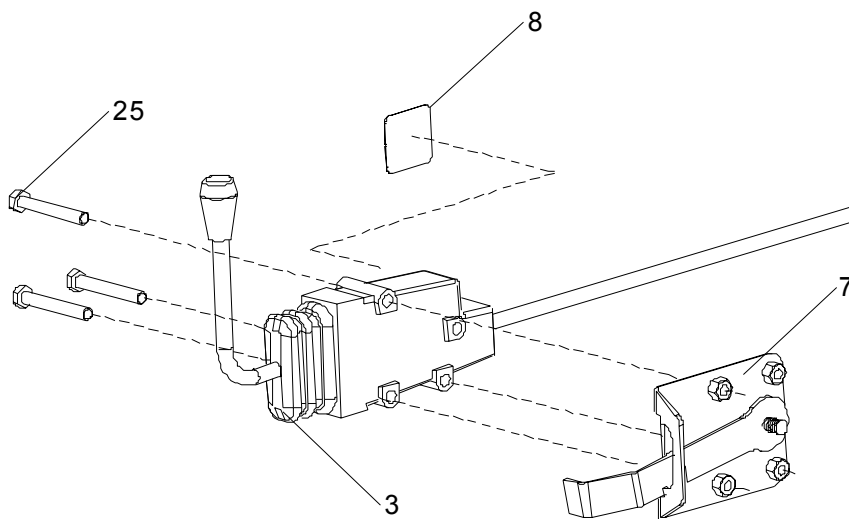
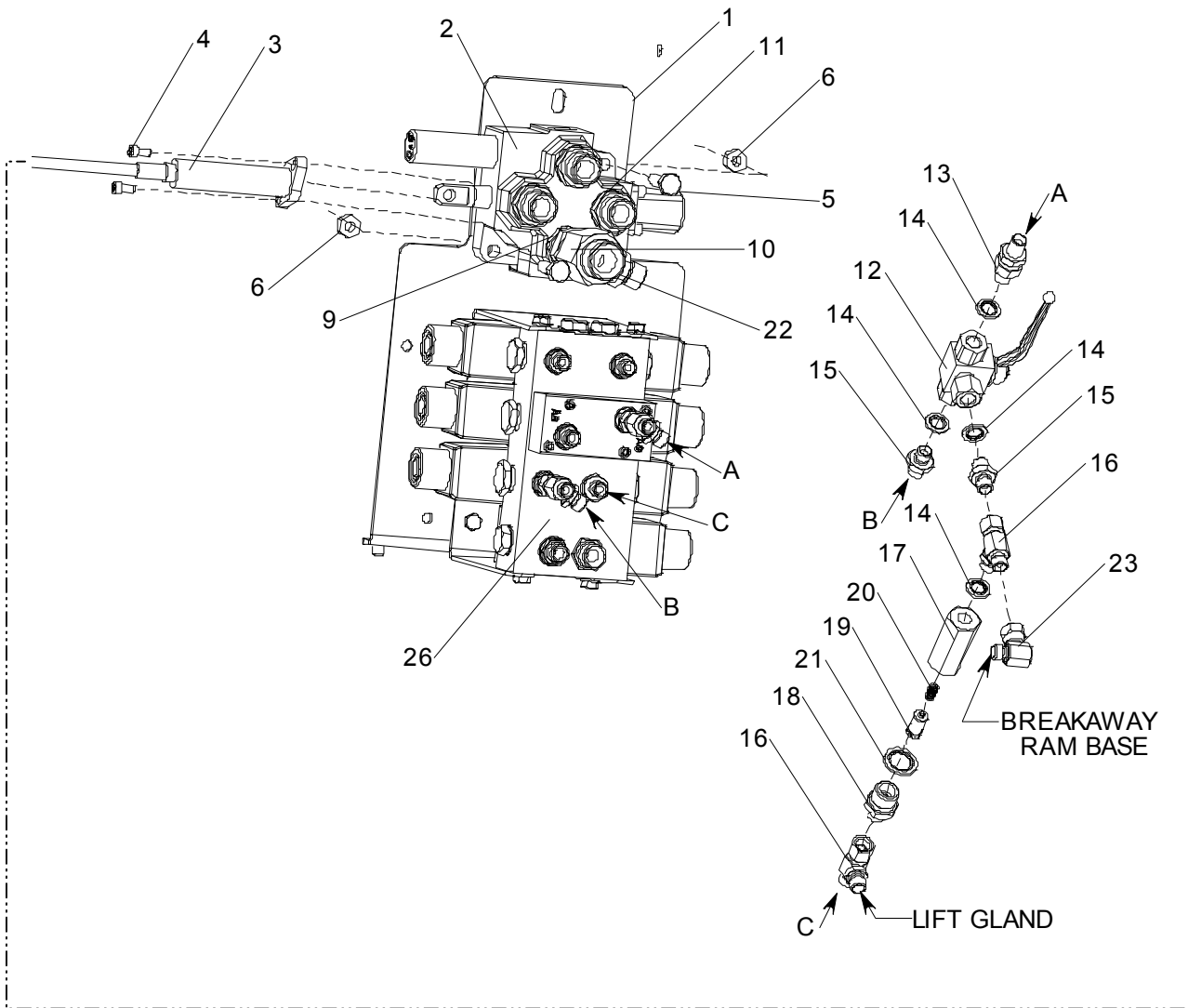
**ARM CONTROL VALVE**

REF.	QTY.	PART No.	DESCRIPTION
		8130589	ARM CONTROL VALVE ASSEMBLY
		8130580	VALVE - <i>including:</i>
1	3	8130134	CENTERING SPRING ASSEMBLY
2	1	8130022	NON RETURN VALVE ASSEMBLY
3	1	G3812539	RELIEF VALVE ASSEMBLY 2320 psi (160 bar)
4	1	6000112	ADAPTER
5	2	8581254	TEE
6	1	6000113	UNION
7	1	8581115	ADAPTER
8	2	8130046	RESTRICTOR UNION 'A'
9	3	9113004	SELF LOCKING NUT
10	2	8130066	RESTRICTOR UNION 'M'
11	1	8130048	RESTRICTOR UNION 'C'
12	8	8650103	BONDED SEAL
13	3	9213124	BOLT
		8699163	SEAL KIT

CONTROL VALVE - Electric TI

MODULES:
7447532 - L/H TI
7447533 - R/H TI

Illustrated in Left Hand build

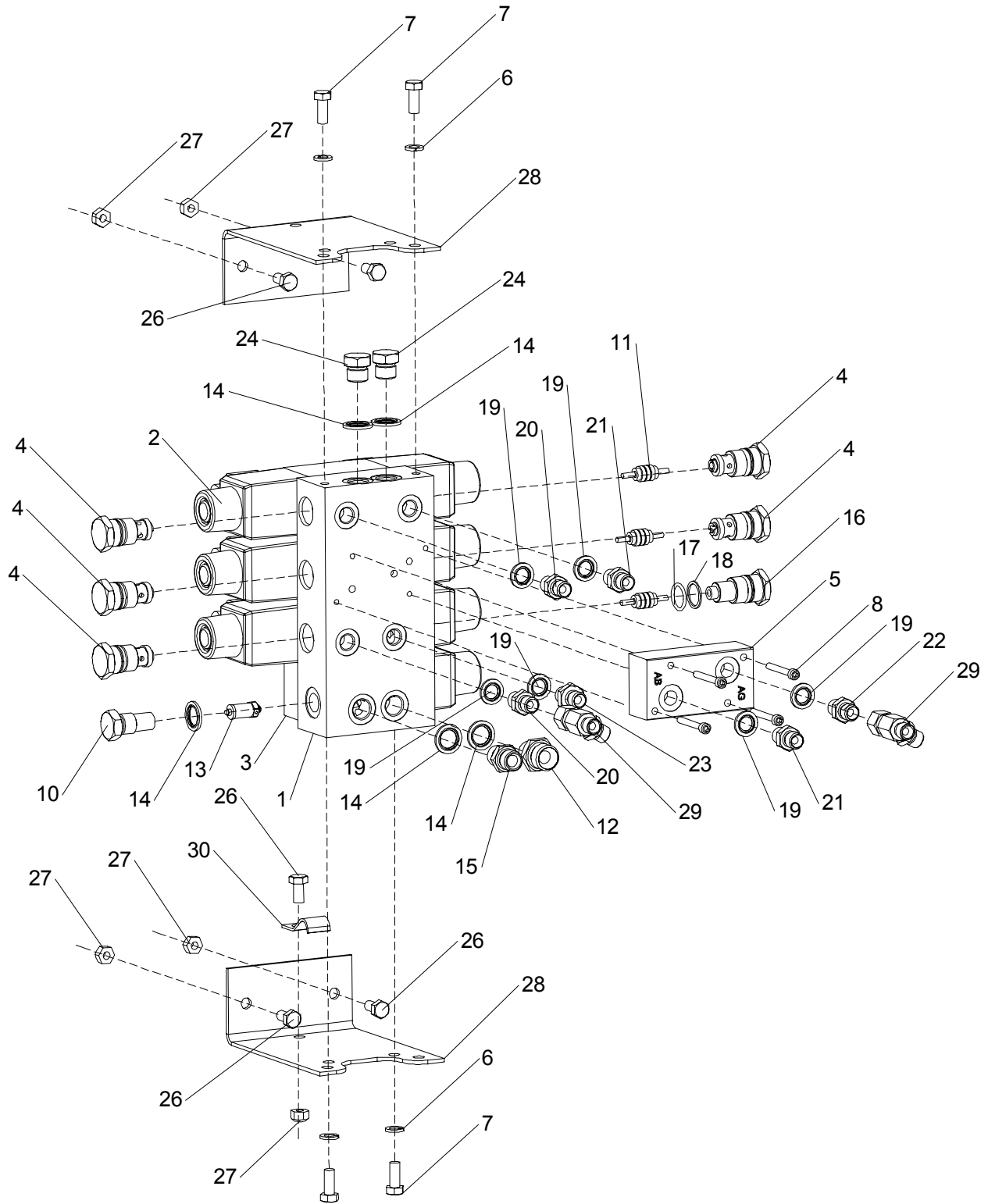


**CONTROL VALVE - Electric TI**

REF.	QTY.	PART No.	DESCRIPTION
		7447532	CONTROL VALVE - ELECTRIC TI - L/H
		7447533	CONTROL VALVE - ELECTRIC TI - R/H
1	1	45850.01	VALVE BRACKET
2	1	8125355	ROTOR CONTROL VALVE - L/H BUILD
	1	8125385	ROTOR CONTROL VALVE - R/H BUILD (<i>not illustrated</i>)
3	1	04.265.92	CABLE ASSY 2.5m - ROTOR
4	2	9343023	CAPSCREW M6 x 12
5	2	9213085	BOLT M10 x 40
6	2	9143005	SELF-LOCKING NUT M10
7	1	42511.01	BALKING ASSY MORSE CABLES
8	1	1290338	DECAL ROTOR REVERSE
9	4	8650106	BONDED SEAL 3/4" BSP
10	1	8002086	ADAPTOR 3/4" x 1" BSP MM
11	3	8581136	ADAPTOR 3/4" BSP MM
12	1	41392.01	TAP 3WAY BALL VALVE
13	1	7105153	ADAPTOR BULKHEAD 1/4" BSP
14	4	8650102	BONDED SEAL 1/4" BSP
15	2	8581169	ADAPTOR 1/4" BSP MM
16	2	8581254	ADAPTOR TEE 1/4" BSP MFM
17	1	8130156	ADAPTOR RELIEF HOUSING
18	1	8130083	ADAPTOR RELIEF BODY
19	1	8130029	RELIEF VALVE 175BAR
20	1	8116011	SPRING OD.275 x 5/8" LONG
21	1	8650104	BONDED SEAL 1/2" BSP
22	1	04.056.34	ADAPTOR TEE 1" MF+1/2" BSP
23	1	8581190	ADAPTOR ELBOW 90 1/4" BSP MF
24	3	10.002.10	HOSE 1/4" BSP FS/F90 x 500mm (<i>not illustrated</i>)
25	3	9213124	BOLT M8 x 60
26	1	8130596	ACV ASSEMBLY
27	1	41844.02	LOOM 14 CORE PLUG IN (<i>not illustrated</i>)

ELECTRIC CONTROL VALVE

MODULE:
8130596

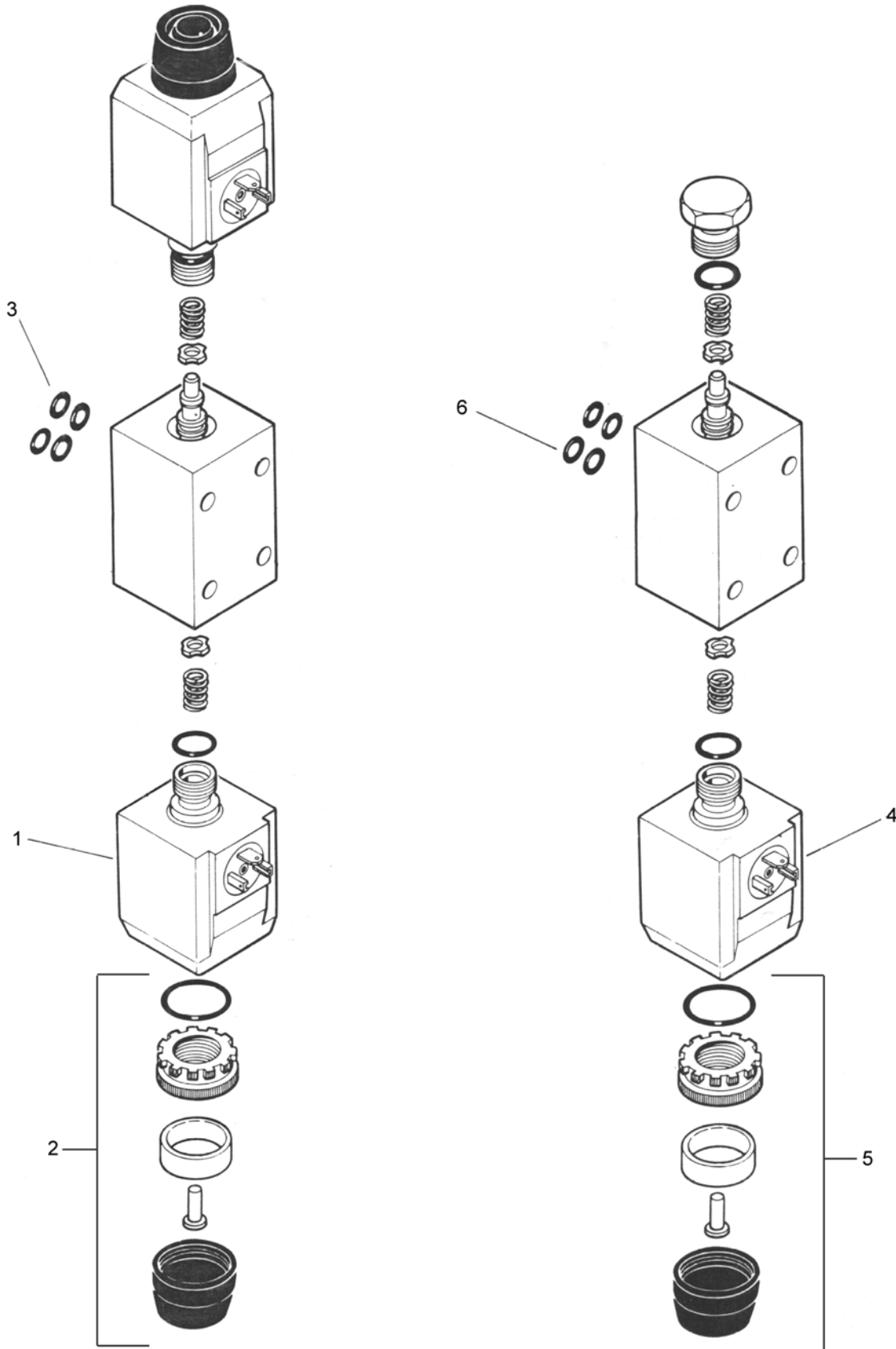


**ELECTRIC CONTROL VALVE**

REF.	QTY.	PART No.	DESCRIPTION
		8130596	ELECTRIC CONTROL VALVE ASSEMBLY
1	1	8130321	BLOCK 3 FUNCTION MANIFOLD
2	3	8130629	VALVE DOUBLE SOLENOID
3	1	8130456	CUT OFF SOLENOID VALVE
4	5	8130090	CHECK VALVE ASSEMBLY
5	1	8130322	HOSE PLATE
6	4	9100204	SPRING WASHER M8
7	4	9313044	SETSCREW M8 x 20
8	4	9243082	CAPSCREW M5 x 40
9	16	9243062	CAPSCREW M5 x 30
10	1	8130032	RELIEF VALVE CAP
11	3	8130087	ACTUATOR
12	1	6000112	ADAPTOR 3/8" x 1/2" BSP MM
13	1	8130092	RELIEF VALVE 190BAR
14	5	8650103	BONDED SEAL 3/8" BSP
15	1	6000113	ADAPTOR 3/8" BSP MM
16	1	8130078	CHECK VALVE CAP
17	1	8700644	'O' RING 644
18	1	8709644	AE RING 644
19	6	8650102	BONDED SEAL 1/4" BSP
20	2	8130038	ADAPTOR RESTRICTOR 1.4 'L'
21	2	8130037	ADAPTOR RESTRICTOR 1.15 'S'
22	1	8130103	ADAPTOR RESTRICTOR 0.9 'T'
23	1	8581169	ADAPTOR 1/4" BSP MM
24	2	8003001	ADAPTOR PLUG 3/8" BSP
25	7	8700511	'O' RING 511
26	5	9313034	SETSCREW M8 x 16
27	5	9143004	SELF-LOCKING NUT M8
28	2	7198050	VALVE BRACKET
29	2	8581254	ADAPTOR TEE 1/4" BSP MFM
30	1	7109151	CABLE CLAMP

SOLENOID VALVE ASSEMBLIES

MODULES:
8130455 - Double
8130456 - Single

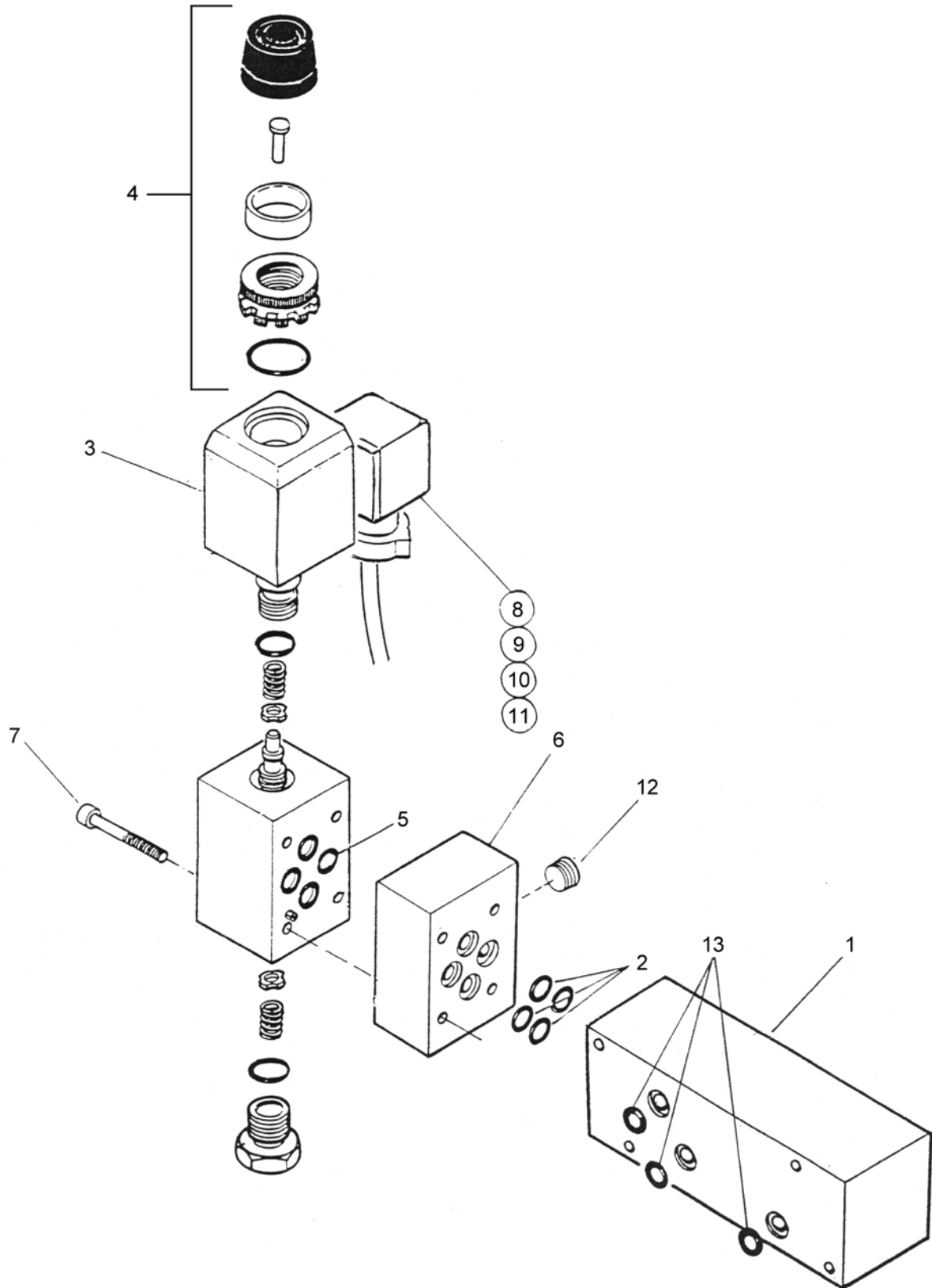


**SOLENOID VALVE ASSEMBLIES**

REF.	QTY.	PART No.	DESCRIPTION
		8130455	DOUBLE SOLENOID VALVE
1	2	8130175	COIL
2	2	8130176	MANUAL OVERRIDE KIT
3	4	8600107	'O' RING
		8130456	SINGLE SOLENOID VALVE
4	1	8130175	COIL
5	1	8130176	MANUAL OVERRIDE KIT
6	4	8600107	'O' RING

ANGLE FLOAT KIT (optional extra)

**MODULE:
8126261**

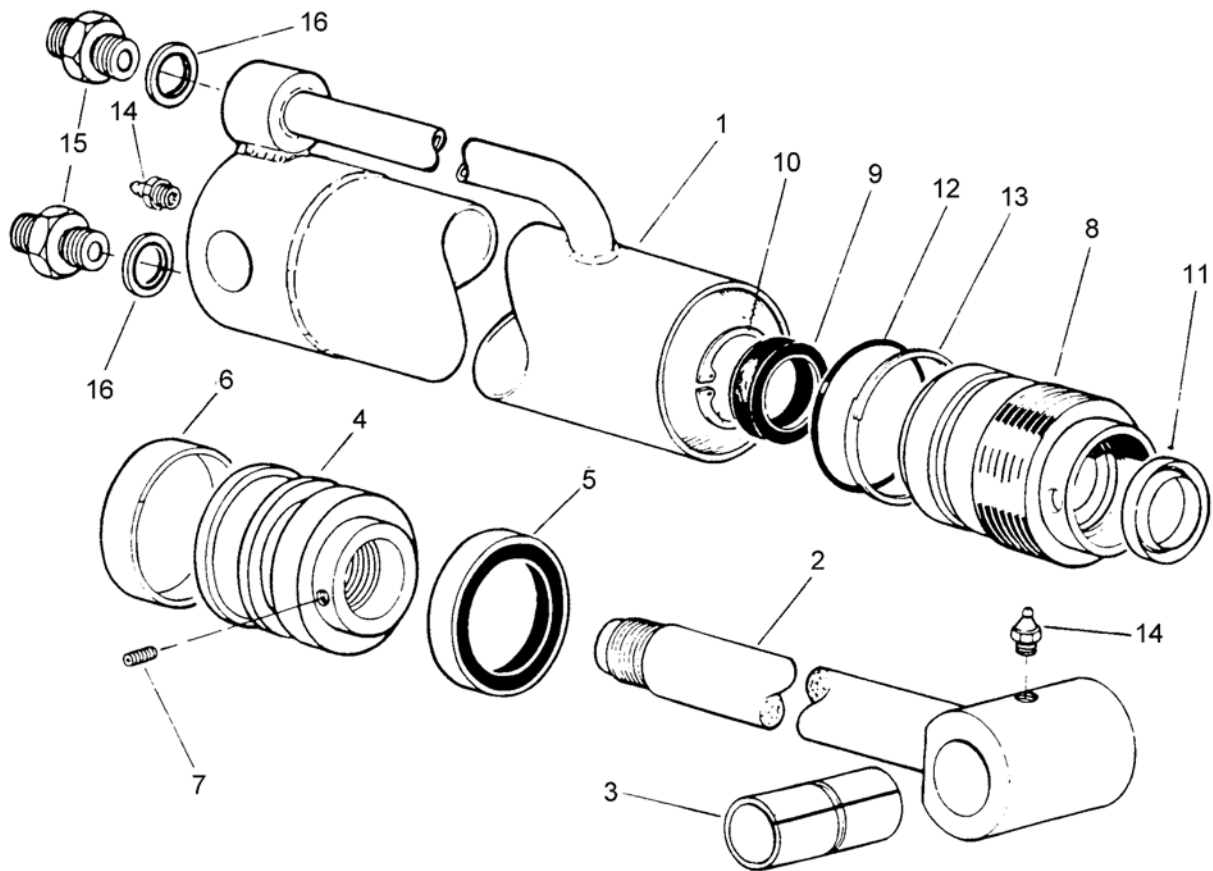


**ANGLE FLOAT KIT (optional extra)**

REF.	QTY.	PART No.	DESCRIPTION
		8126261	ANGLE FLOAT KIT
1	1	8130323	Float valve block
2	4	8700511	'O' ring
	1	8130457	Angle float solenoid - <i>including:</i>
3	2	8130175	Coil
4	1	8130176	Manual override kit
5	4	8600107	'O' ring
6	1	8126280	Bridging plate
7	4	9243102	Setscrew socket headed
8	1	8402338	Wiring harness - <i>including plug & gasket:</i>
9	1	07.835.04	Plug c/w screw and gasket
10	1	07.835.03	Screw
11	1	07.835.02	Gasket
12	1	8582041	Plug 1/8" BSP
13	3	8700511	'O' ring
		8699224	SOLENOID SEAL KIT

ANGLING RAM ASSEMBLY

MODULE:
7560344



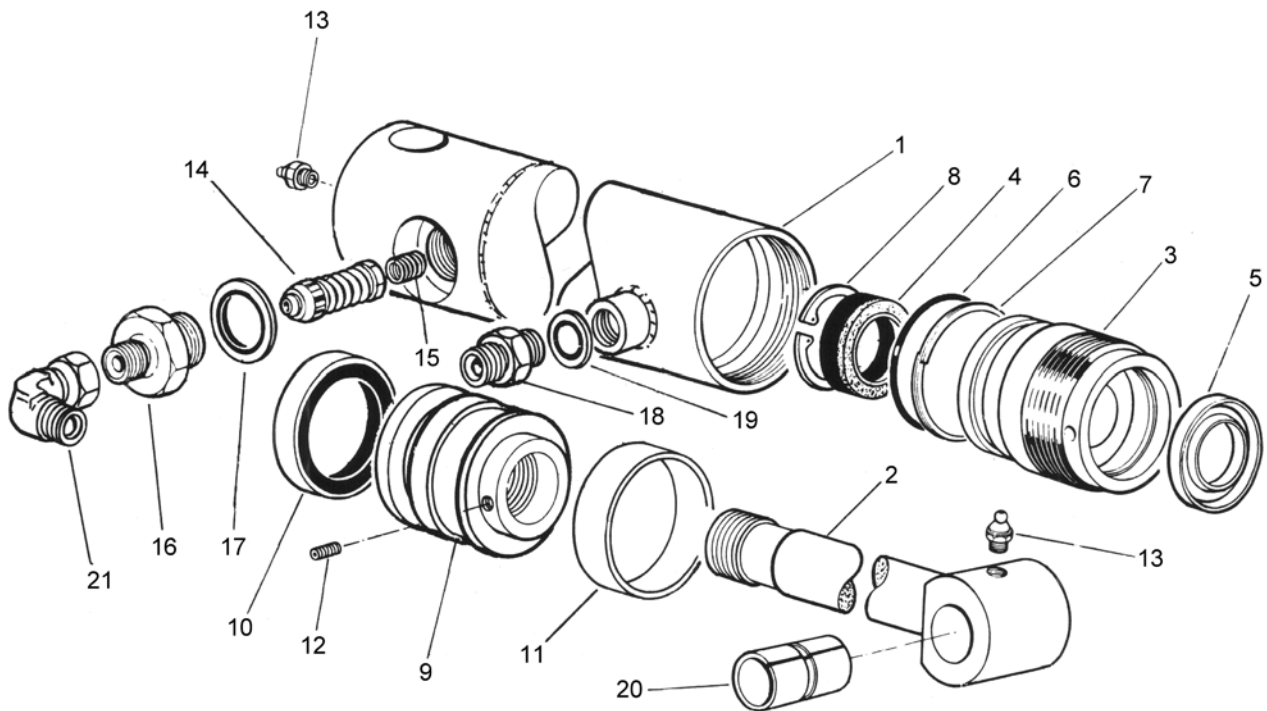
REF.	QTY.	PART NO.	DESCRIPTION
		7560344	ANGLING RAM ASSEMBLY
1	1	7135292	CYLINDER
2	1	7135009	ROD
3	1	7105050	BUSH
4	1	7560095	PISTON
5	1	8629187	PISTON SEAL
6	1	8629188	BEARING RING
7*	1	9363023	GRUB SCREW - SOCKET HEAD M6 x 12
8	1	7135291	GLAND HOUSING
9	1	8629148	GLAND SEAL
10	1	0416240	INTERNAL CIRCLIP
11	1	8629149	WIPER SEAL
12	1	8600302	O' RING
13	1	8609302	ANTI EXTRUSION RING
14	2	0901121	GREASER
15	2	8581169	UNION 1/4" BSP MM
16	2	8650102	BONDED SEAL 1/4" BSP
		8699188	SEAL KIT

***Assembly note:**

Tighten fully and centre punch edge of hole to secure.

BREAKAWAY RAM ASSEMBLY

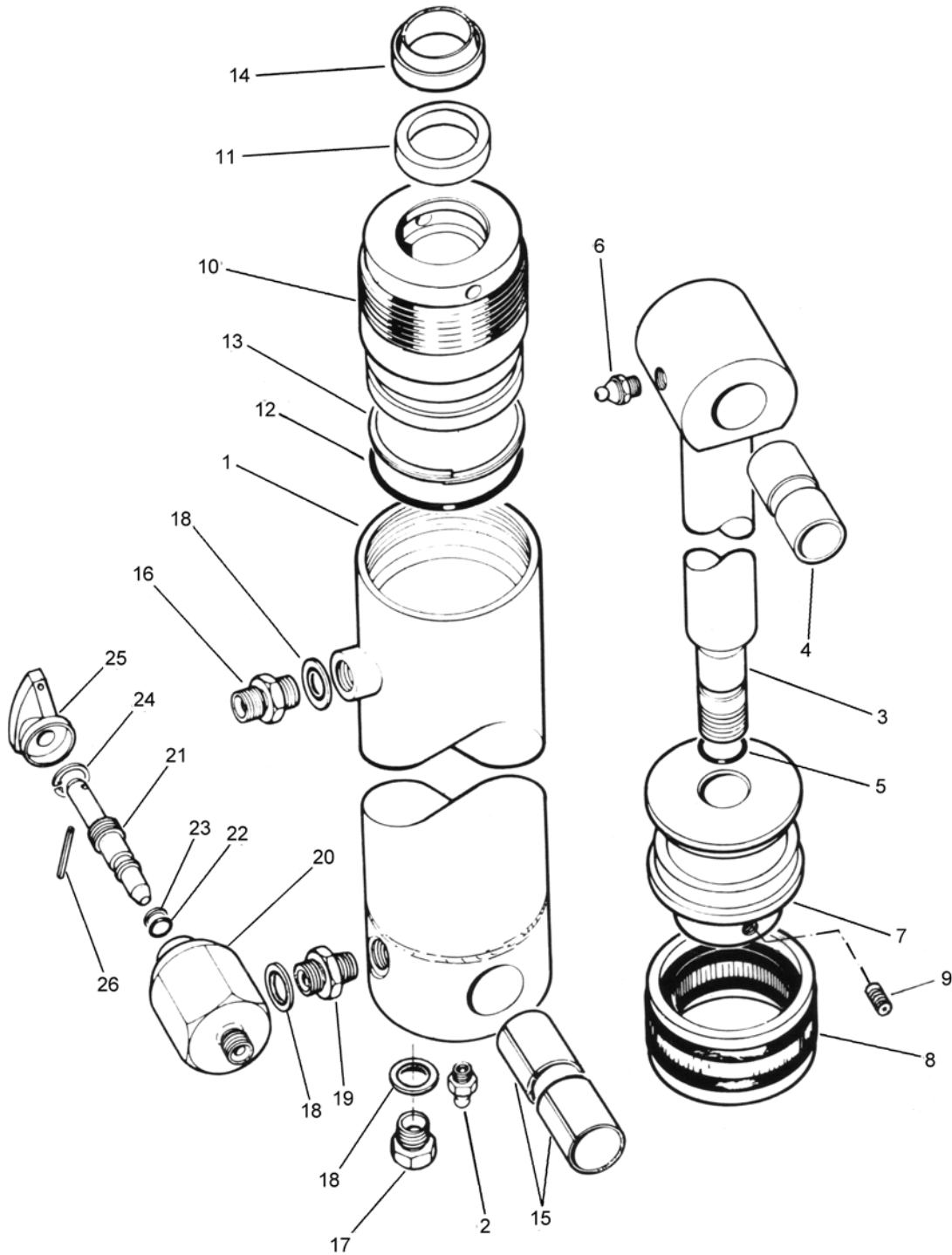
MODULE:
7198357



REF.	QTY.	PART No.	DESCRIPTION
		7198357	BREAKAWAY / PARK RAM ASSEMBLY
1	1	7198358	RAM BARREL
2	1	7198361	ROD
3	1	7135291	GLAND HOUSING
4	1	8629148	GLAND SEAL
5	1	8629149	ROD WIPER SEAL
6	1	8600302	'O' RING
7	1	8609302	ANTI EXTRUSION RING
8	1	0416240	INTERNAL CIRCLIP
9	1	7560095	PISTON
10	1	8629187	PISTON SEAL
11	1	8629188	BEARING RING
12	1	9363023	GRUB SCREW
13	2	0901121	GREASER
14	1	8130189	RELIEF VALVE - 40 BAR
15	1	8116011	SPRING
16	1	8130083	RELIEF VALVE HOUSING
17	1	8650104	BONDED SEAL
18	1	8581169	UNION
19	1	8650102	BONDED SEAL
20	1	1090005	BUSH
21	1	8581190	SWIVEL ELBOW

LIFT RAM ASSEMBLY

MODULE:
7198375





LIFT RAM ASSEMBLY

REF.	QTY.	PART No.	DESCRIPTION
		7198375	LIFT RAM ASSEMBLY
1	1	7198378	RAM CYLINDER
2	1	0901121	GREASER
3	1	7198091	PISTON ROD
4	2	6012032	BUSH
5	1	8600119	'O' RING
6	1	0901121	GREASER
7	1	7135004	PISTON
8	1	8638740	PISTON SEAL
9	1	9363023	GRUB SCREW
10	1	7135282	GLAND HOUSING
11	1	8629164	GLAND SEAL
12	1	8700740	'O' RING
13	1	8709740	ANTI EXTRUSION RING
14	1	8629147	WIPER
15	2	7101134	BUSH - RAM BASE
16	1	8581115	UNION
17	1	8003001	PLUG
18	3	8650103	BONDED SEAL
19	1	8005007	TAPER ADAPTOR
	1	7135005	LOCK TAP ASSEMBLY - <i>comprising of:</i>
20	1	7135284	TAP BODY
21	1	7135006	TAP SPINDLE
22	1	8600107	'O' RING
23	1	8609107	ANTI EXTRUSION RING
24	1	0416110	INTERNAL CIRCLIP
25	1	8108006	TAP KNOB
26	1	0420820	SPRING DOWEL

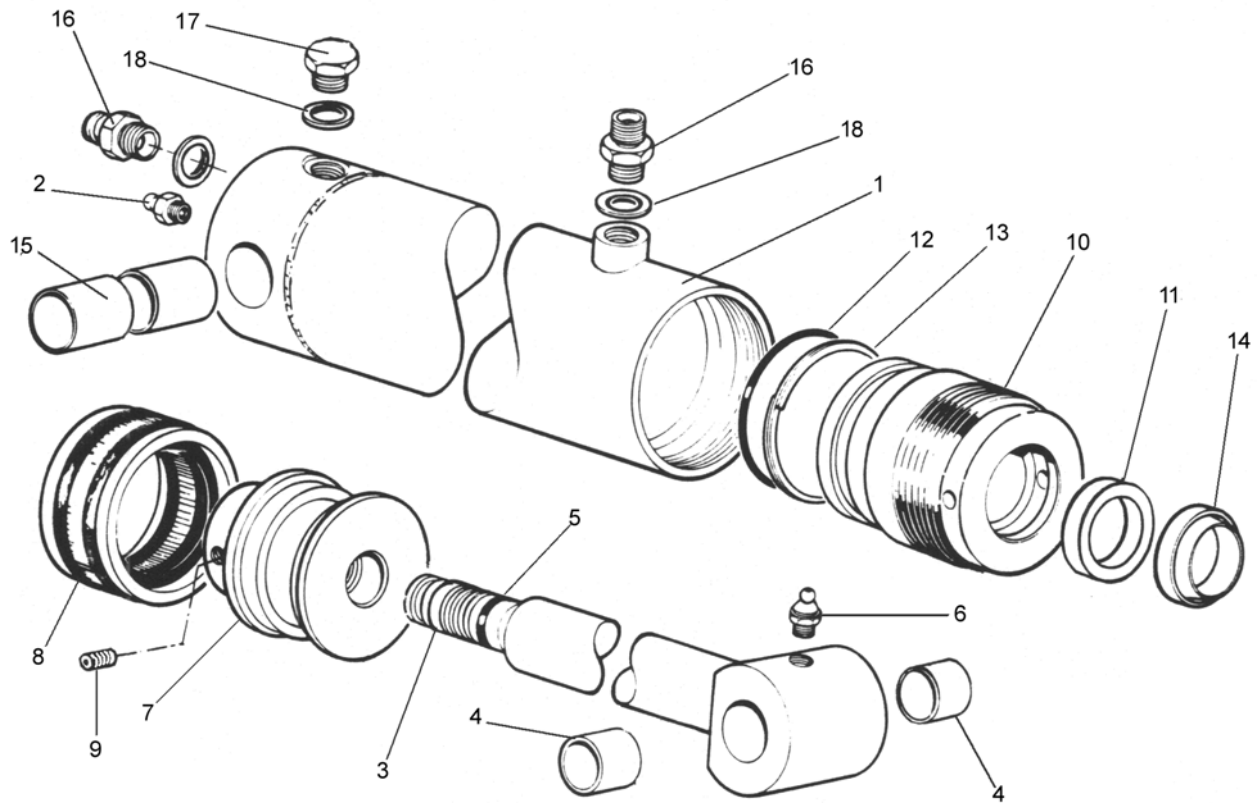
8699187 SEAL KIT

Assembly Note:

Fully tighten item 9 and centre pop edge of the hole to retain.

REACH RAM ASSEMBLY

MODULE:
7198376



REF.	QTY.	PART No.	DESCRIPTION
		7198376	REACH RAM ASSEMBLY
1	1	7198378	RAM CYLINDER
2	1	0901121	GREASER
3	1	7198091	PISTON ROD
4	2	6012032	BUSH
5	1	8600119	'O' RING
6	1	0901121	GREASER
7	1	7135004	PISTON c/w SEAL & GRUB SCREW
8	1	8638740	PISTON SEAL
9	1	9363023	GRUB SCREW
10	1	7135282	GLAND HOUSING
11	1	8629164	GLAND SEAL
12	1	8700740	'O' RING
13	1	8709740	ANTI EXTRUSION RING
14	1	8629147	WIPER
15	2	7101134	BUSH - RAM BASE
16	2	8581115	UNION
17	1	8003001	PLUG
18	3	8650103	BONDED SEAL
		8699187	SEAL KIT

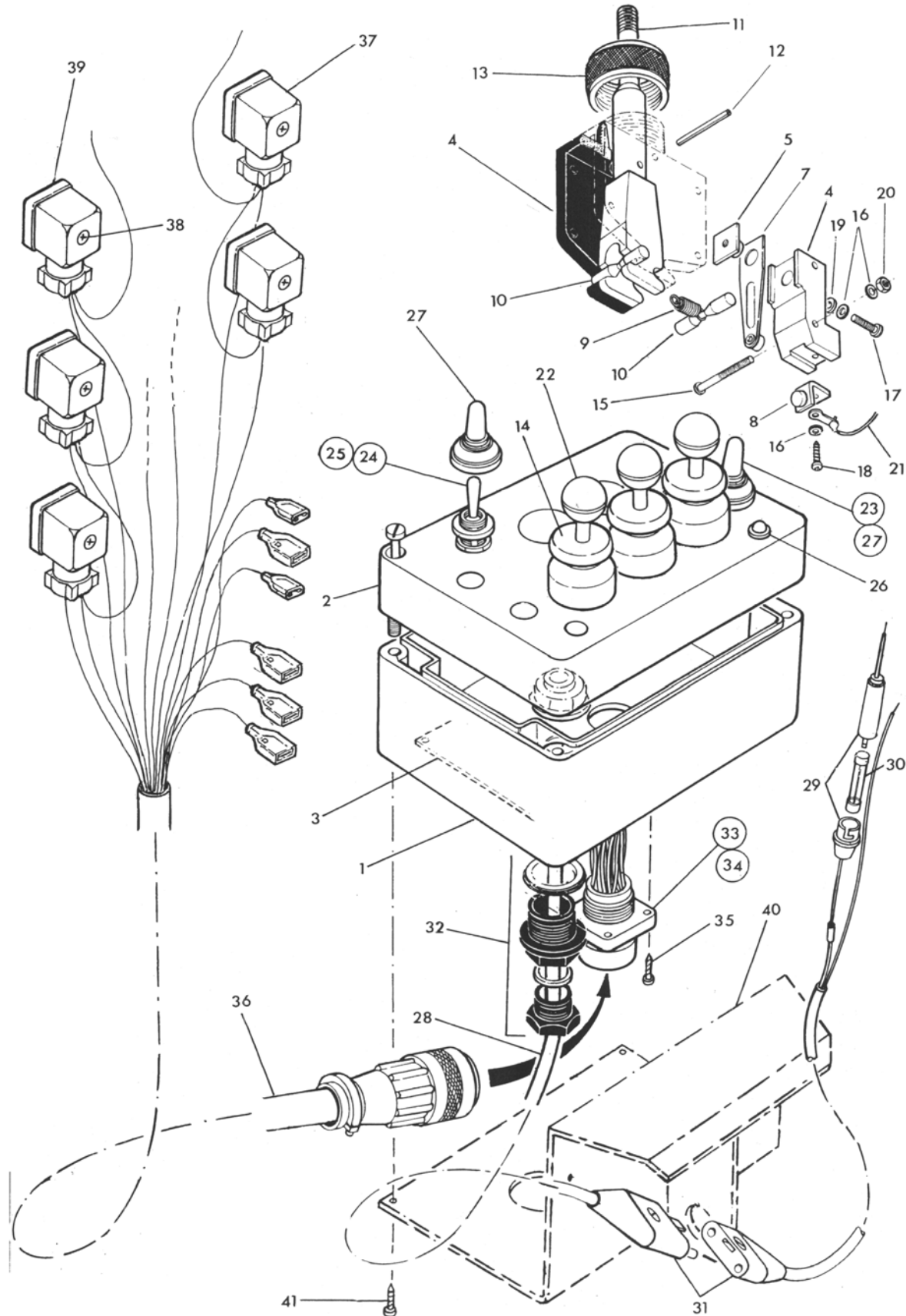
Assembly Note:

Fully tighten item 9 and centre pop edge of hole to retain.



SWITCHBOX CONTROLS & LOOM

MODULE:
8402900



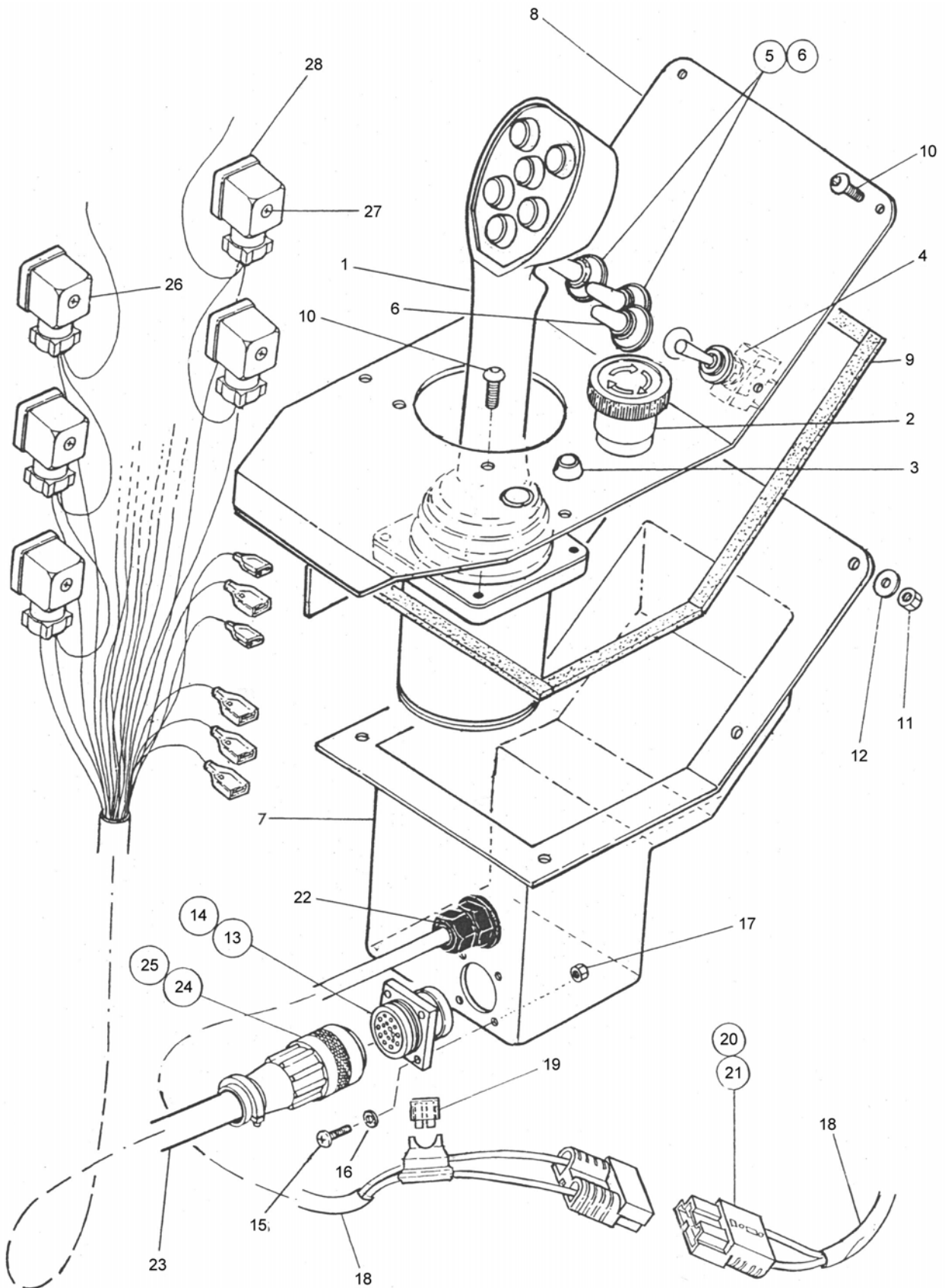


SWITCHBOX CONTROLS & LOOM

REF.	QTY.	PART No.	DESCRIPTION
		8402900	SWITCHBOX CONTROLS & LOOM
	1	41845.01	MULTI 3 LEVER SWITCHBOX
1	1	41845.32	BOX
2	1	41845.31	LID c/w SCREWS
3	1	41845.33	CIRCUIT BOARD
	3	8402122	LEVER SWITCH UNIT - <i>comprising:</i>
4	1	8402285	SWITCH BODY
5	2	8402106	CONTACT HOLDER
6	2	8402109	SPRING CONTACT RETAINER
7	2	8402113	SPRING CONTACT
8	2	8402108	FIXED CONTACT
9	1	8402101	SPRING
10	2	8402111	BAR
11	1	8402256	LEVER
12	1	0425320	SPRING DOWEL DIA.3 x 20
13	1	8402051	BEZEL RING
14	1	8402022	LEVER GAITER
15	4	9200006	SCREW - POSIDRIVE PANHEAD M3 x 25
16	8	9100400	EXTERNAL SERRATED WASHER DIA.3
17	2	9200005	SCREW - POSIDRIVE PANHEAD M3 x 12
18	2	8402119	SELF TAPPING SCREW No.4 TYPE B x 10mm LONG
19	2	8402280	PLAIN WASHER DIA.3
20	2	9113000	NUT M3 - PLATED
21	3	41845.34	LOOM - LEVER SWITCH
22	3	8402056	KNOB - BLACK
23	1	8402023	SWITCH - POWER ON/OFF
24	1	8402197	SWITCH - FLOAT
25	1	41845.37	LOOM - FLOAT SWITCH
26	1	41845.38	L.E.D. AND LOOM
27	2	8402024	WEATHER GAITER
28	1	8402232	POWER LOOM - <i>incl:</i>
29	1	43034.02	FUSE
30	2	8402230	CONTACT HOUSING
31	4	8402229	CONTACTS
32	1	8402042	GLAND
33	1	8402189	SOCKET SHELL
34	9	8402192	PIN SOCKET
35	4	2800203	SCREW No.10 x 1/2" LONG
36	1	8402331	WIRING LOOM - <i>incl:</i>
37	1	8402188	SHELL
38	1	8402190	CABLE CLAMP
39	1	8402193	SPECIAL TOOL
40	1	8402058	COMMON LINK HARNESS
41	1	8402345	MOUNTING BRACKET
42	4	2800203	SELF TAPPING SCREW No.10 x 1/2" LONG

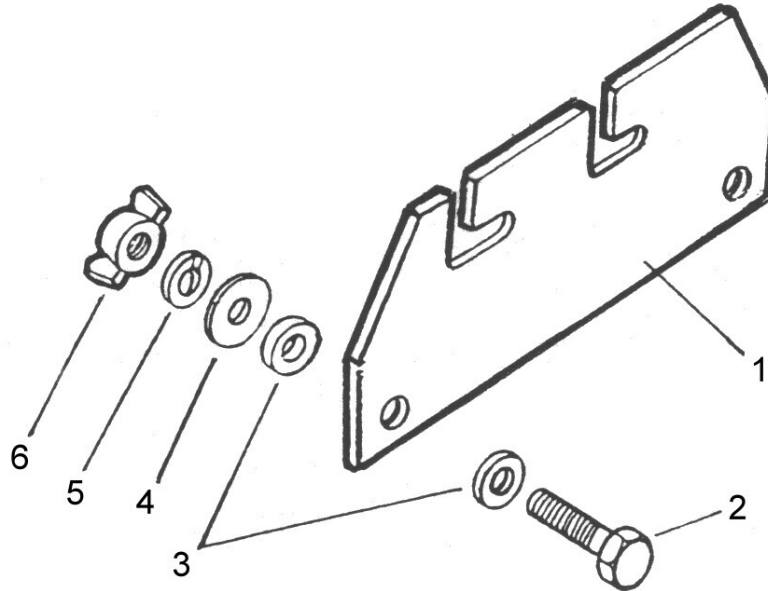
MONOLEVER CONTROLS & LOOM

MODULE:
8402905




MONOLEVER CONTROLS & LOOM

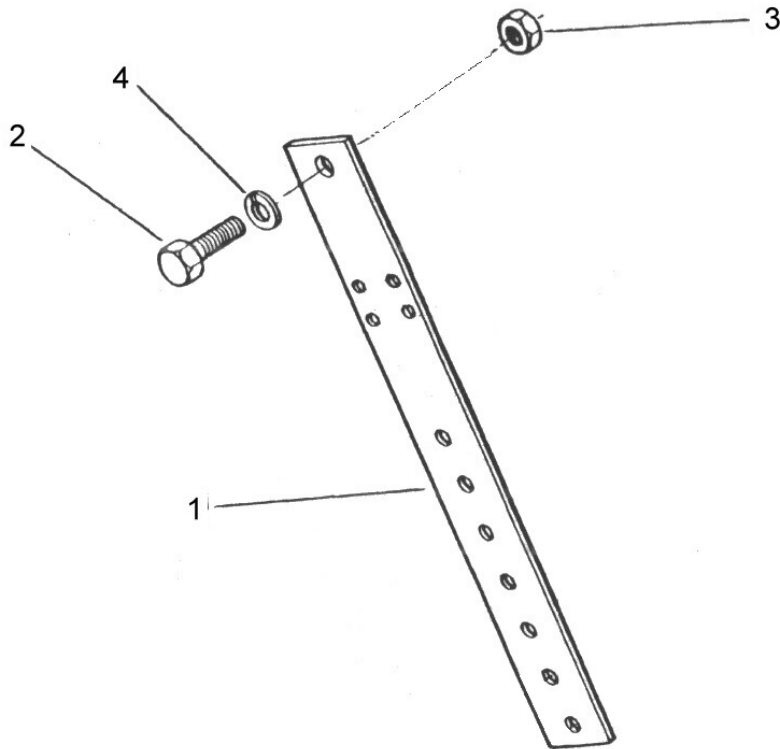
REF.	QTY.	PART NO.	DESCRIPTION
		41590.03	MONOLEVER 6 BUTTON CONTROL ASSEMBLY
		41590.05	MONOLEVER WITH ELECTRIC ROTOR REVERSE
1	1	41590.32	JOYSTICK - INCLUDING CIRCUIT BOARD
2	1	8402184	POWER ON / EMERGENCY STOP
3	1	8402174	L.E.D. MAIN POWER ON
4	1	8402182	SWITCH - SLEW / AUTO RESET
5	2	8402023	SWITCH - LIFT AND ANGLE FLOAT
6	3	8402024	WEATHER COVER
7	1	7550300	COVER POD
8	1	7550339	TOP PLATE
9	1	7290052	SEALING STRIP (CUT TO SUIT)
10	10	9300125	SCREW - BUTTON HEAD M6 x 16
11	6	9143003	SELF LOCKING NUT M6
12	6	9100103	WASHER DIA. 6
13	1	8402189	SOCKET SHELL
14	14	8402192	FEMALE SOCKET PIN
15	4	9200007	SCREW - POSIDRIVE PANHEAD M3 x 10
16	4	9100400	EXTERNAL SERRATED WASHER DIA.3
17	4	9100013	NUT - PLATED M3
18	1	8402232	POWER LOOM - INCLUDING:
19	1	43034.03	FUUSE
20	2	8402230	CONTACT HOUSING
21	4	8402229	CONTACTS
22	1	8402042	GLAND
23	1	41844.02	WIRING LOOM - INCLUDING:
24	1	8402188	SHELL
25	1	8402190	CABLE CLAMP
26	12	07.835.04	PLUG - INCLUDING:
27	1	07.835.03	SCREW
28	1	07.835.02	GASKET
29	1	8402193	SPECIAL TOOL

CABLE CONTROL MOUNTING
**MODULE:
7313282**


REF.	QTY.	PART NO.	DESCRIPTION
		7313282	CABLE CONTROL UNIT MOUNTING
1	1	42491.01	BRACKET
2	2	9313094	SETSCREW M8 x 45
3	4	03.152.01	RUBBER WASHER
4	2	9100104	PLAIN WASHER DIA. 8
5	2	9100204	SPRING WASHER DIA. 8
6	2	9193004	WINGNUT M8

CONTROL MOUNTING PILLAR

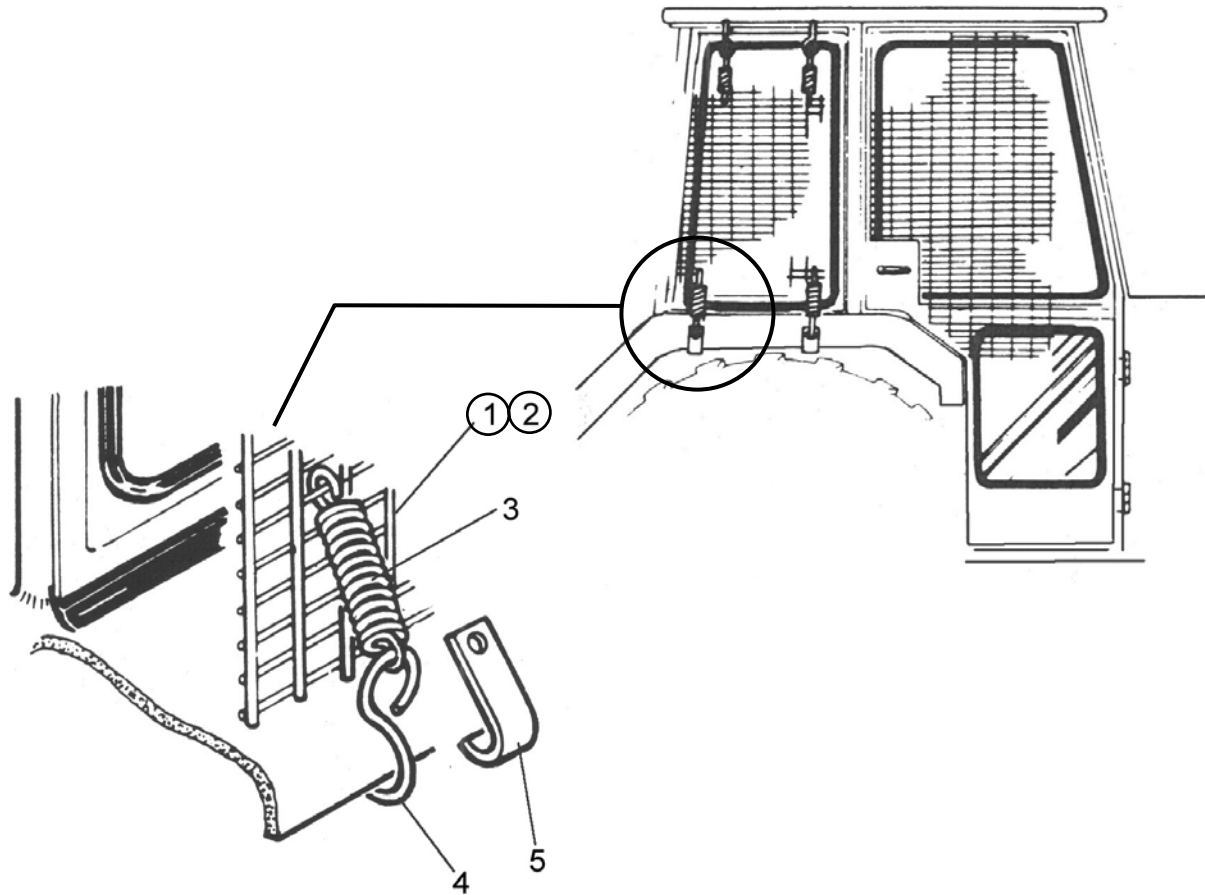
MODULE:
7109319



REF.	QTY.	PART NO.	DESCRIPTION
		7190319	ELECTRIC CONTROL UNIT MOUNTING
1	1	7109146	PILLAR
2	1	9311086	SETSCREW 5/8" UNF x 1" LONG
3	1	9113006	NUT M12
4	1	0100206	SPRING WASHER 5/8" DIA.

CAB GUARD & MOUNTING KIT

MODULE:
7313324



REF.	QTY.	PART No.	DESCRIPTION
		7313324	CAB GUARD & MOUNTING KIT
1	1	7313049	GUARD PANEL - LARGE
2	1	7313050	GUARD PANEL - SMALL
3	12	6001064	SPRING
4	6	6001065	HOOK
5	6	7313051	HOOK





LIFT FLOAT KIT ASSEMBLY

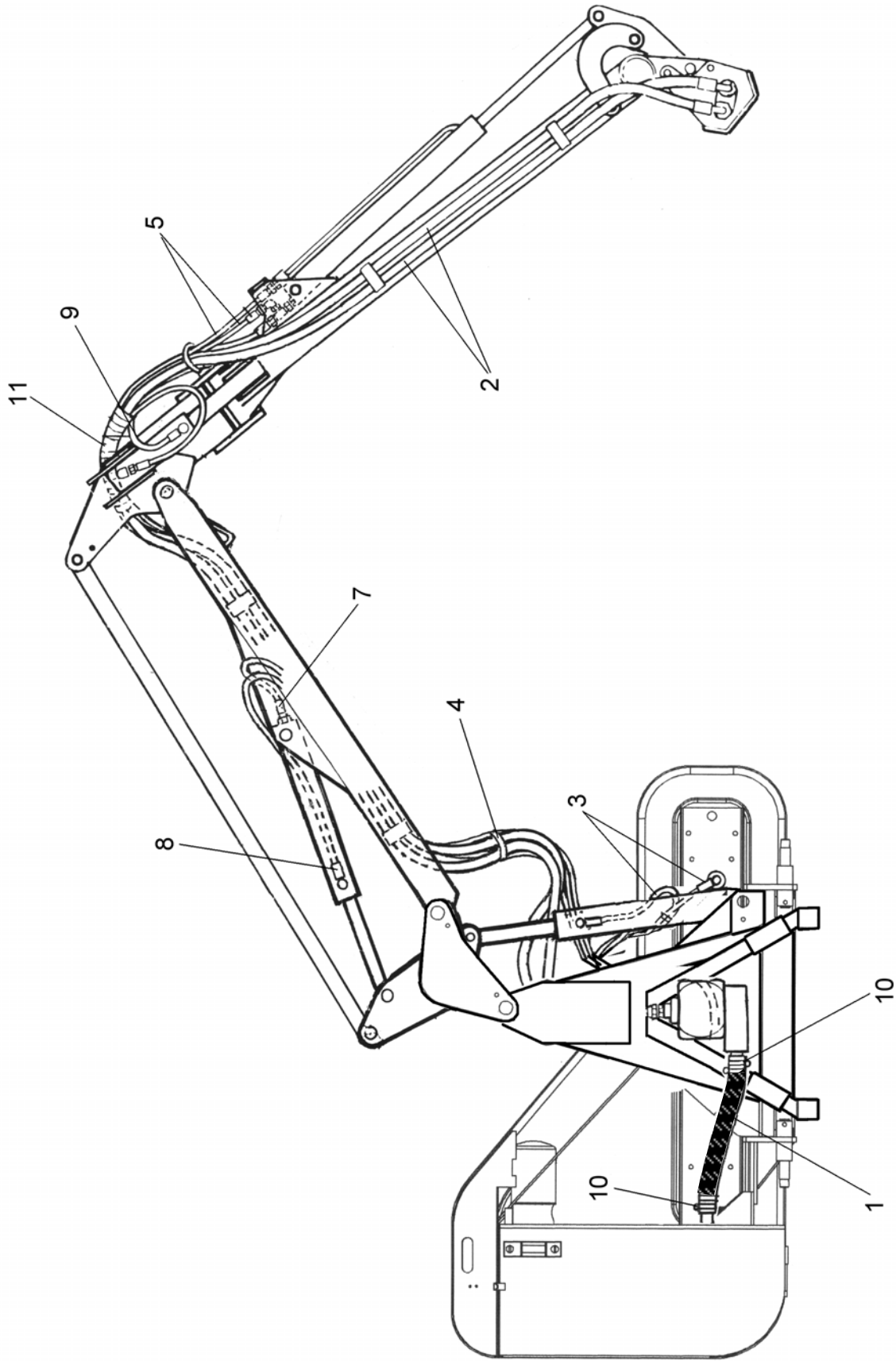
REF.	QTY.	PART No.	DESCRIPTION
		8126294	LIFT FLOAT KIT - ELECTRIC (Quick response)
		8126295	LIFT FLOAT KIT - CABLE (Quick response)
1	1	8126042	ACCUMULATOR
2	1	G2410380	ADAPTOR M22
3	1	8126035	BULKHEAD NUT M33
4	1	8126286	BRACKET
5	1	8126031	'U' BOLT
6	2	9143004	SELF LOCKING NUT M8
7	1	8650322	BONDED SEAL M22
8	3	8650103	BONDED SEAL 3/8" BSP - 1/4" BSP
9	1	8126287	CONTROL BLOCK
10	1	8126037	RESPONSE PISTON
11	1	8116011	SPRING
12	2	8581115	ADAPTOR 3/8" BSP - 1/4" BSP
13	1	1290061	OPERATING DECAL
14	1	8535012	HOSE 1/4" BSP SF-90F 12" LONG
15	1	8130183	POPPET VALVE - <i>including:</i>
16	1	8130184	COIL
17	1	8700017	'O' RING
18	1	8700511	'O' RING
19	1	8709511	ANTI EXTRUSION RING

The following items apply to Electric Machines only

20	1	8402194	CABLE ASSEMBLY - <i>including:</i>
21	1	8402194/1	CABLE
22	1	8402182	SWITCH
23	1	8402024	SWITCH COVER
24	1	8402284	SUPPLY HARNESS - <i>including:</i>
25	1	8402062	PLUG / SOCKET
26	1	8402114	FUSE HOLDER
27	1	8402037	FUSE - 10amp
28	1	7192081	SWITCH MOUNTING BRACKET

HOSE INSTALLATION - Arms

Illustrated in Left Hand build





HOSE INSTALLATION KIT

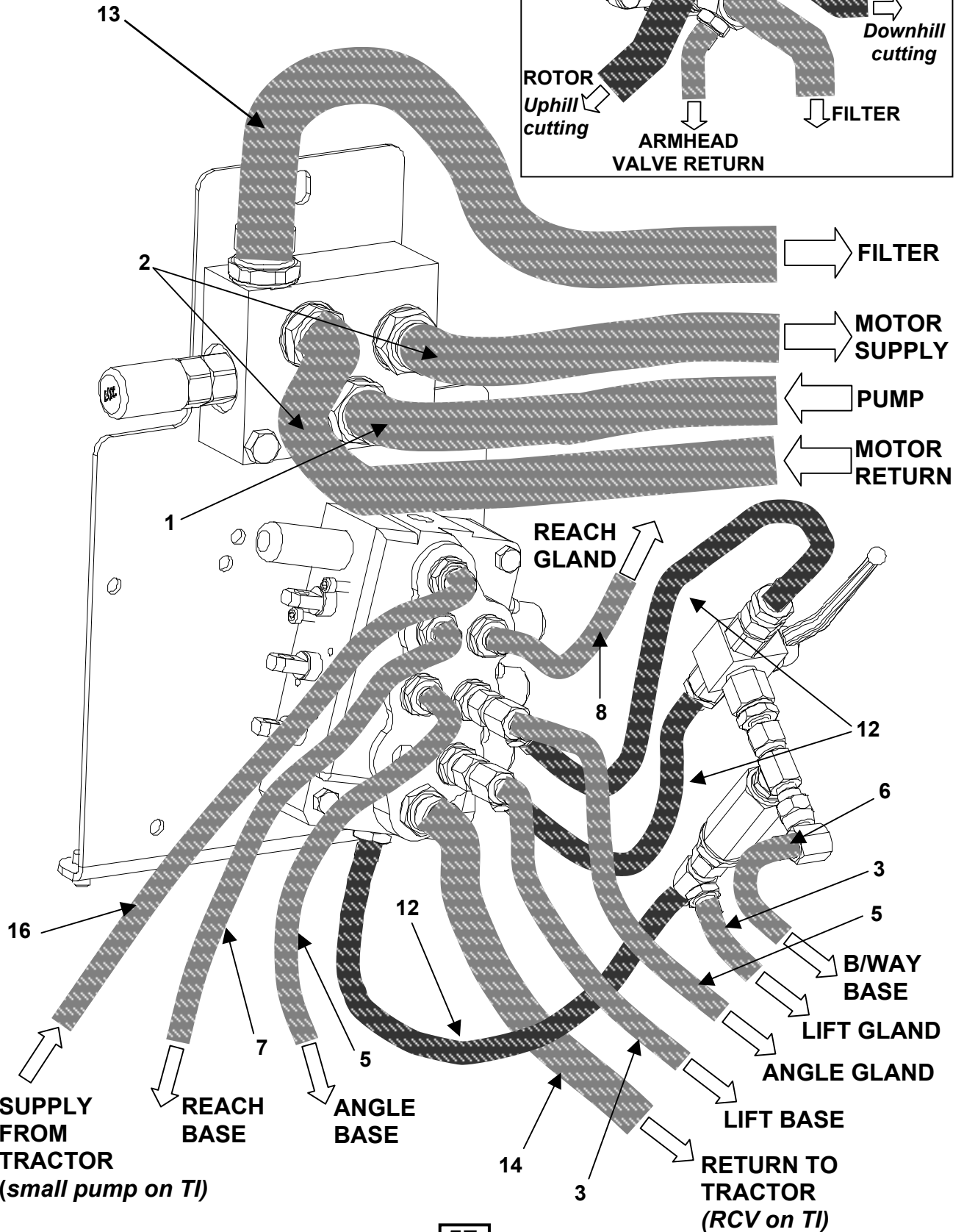
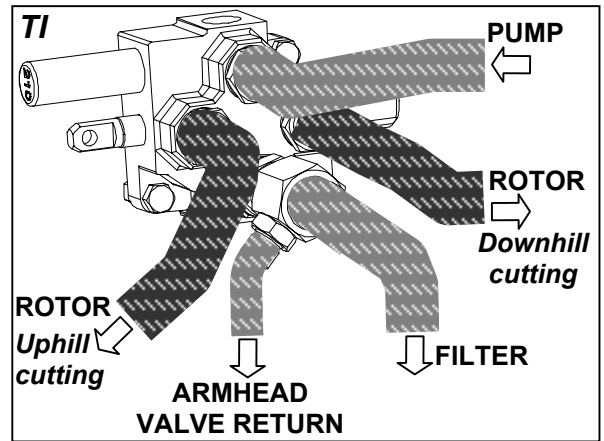
REF.	QTY.	PART No.	DESCRIPTION	
			HOSE KIT	
1	1	8501192	HOSE 1 1/2" BSP x 27" LONG	Suction
2	2	8538065	HOSE 3/4" BSP x 203" LONG	Flail motor
3	2	8535192	HOSE 1/4" BSP x 44" LONG	Lift ram
4	6	7135084	HOSE TIE	
5	2	8515012	HOSE 1/4" BSP x 156" LONG	Angle ram
6	1	8515142	HOSE 1/4" BSP x 144" LONG	Breakaway base
7	1	8515242	HOSE 1/4" BSP x 106" LONG	Reach base
8	1	8535212	HOSE 1/4" BSP x 124" LONG	Reach gland
9	1	8535082	HOSE 1/4" BSP x 34" LONG	B/way gland to angle ram
10	4	0904107	HOSE CLIP	
11	1	7193026	HOSE ARMOUR	
12	3	10.002.10	HOSE 1/4" BSP FS/F90 500mm LONG	
13	1	8501142	HOSE 1" BSP x 58" LONG	Return to tank
14	1	8532014	HOSE 1/2" BSP x 80" LONG	Return to tractor
15	1	8538115	HOSE 3/4" BSP x 51" LONG	Pump to rotor control valve
16	1	8531323	HOSE 3/8" BSP x 80" LONG	Supply from tractor valve
17	2	8535092	HOSE 1/4" BSP x 22" LONG	
18	1	8535102	HOSE 1/4" BSP x 17" LONG	

HOSE INSTALLATION – SI/TI cable

MODULES:

- 7447528 - L/H SI Cable machines
- 7447529 - R/H SI Cable machines
- 7447530 - L/H TI Cable machines
- 7447531 - R/H TI Cable machines

Illustrated in Left Hand SI build





HOSE INSTALLATION KIT

REF.	QTY.	PART No.	DESCRIPTION	
			HOSE KIT	
1	1	8501192	HOSE 1 1/2" BSP x 27" LONG	Suction
2	2	8538065	HOSE 3/4" BSP x 203" LONG	Flail motor
3	2	8535192	HOSE 1/4" BSP x 44" LONG	Lift ram
4	6	7135084	HOSE TIE	
5	2	8515012	HOSE 1/4" BSP x 156" LONG	Angle ram
6	1	8515142	HOSE 1/4" BSP x 144" LONG	Breakaway base
7	1	8515242	HOSE 1/4" BSP x 106" LONG	Reach base
8	1	8535212	HOSE 1/4" BSP x 124" LONG	Reach gland
9	1	8535082	HOSE 1/4" BSP x 34" LONG	B/way gland to angle ram
10	4	0904107	HOSE CLIP	
11	1	7193026	HOSE ARMOUR	
12	3	10.002.10	HOSE 1/4" BSP FS/F90 500mm LONG	
13	1	8501142	HOSE 1" BSP x 58" LONG	Return to tank
14	1	8532014	HOSE 1/2" BSP x 80" LONG	Return to tractor
15	1	8538115	HOSE 3/4" BSP x 51" LONG	Pump to rotor control valve
16	1	8531323	HOSE 3/8" BSP x 80" LONG	Supply from tractor valve
17	2	8535092	HOSE 1/4" BSP x 22" LONG	
18	1	8535102	HOSE 1/4" BSP x 17" LONG	

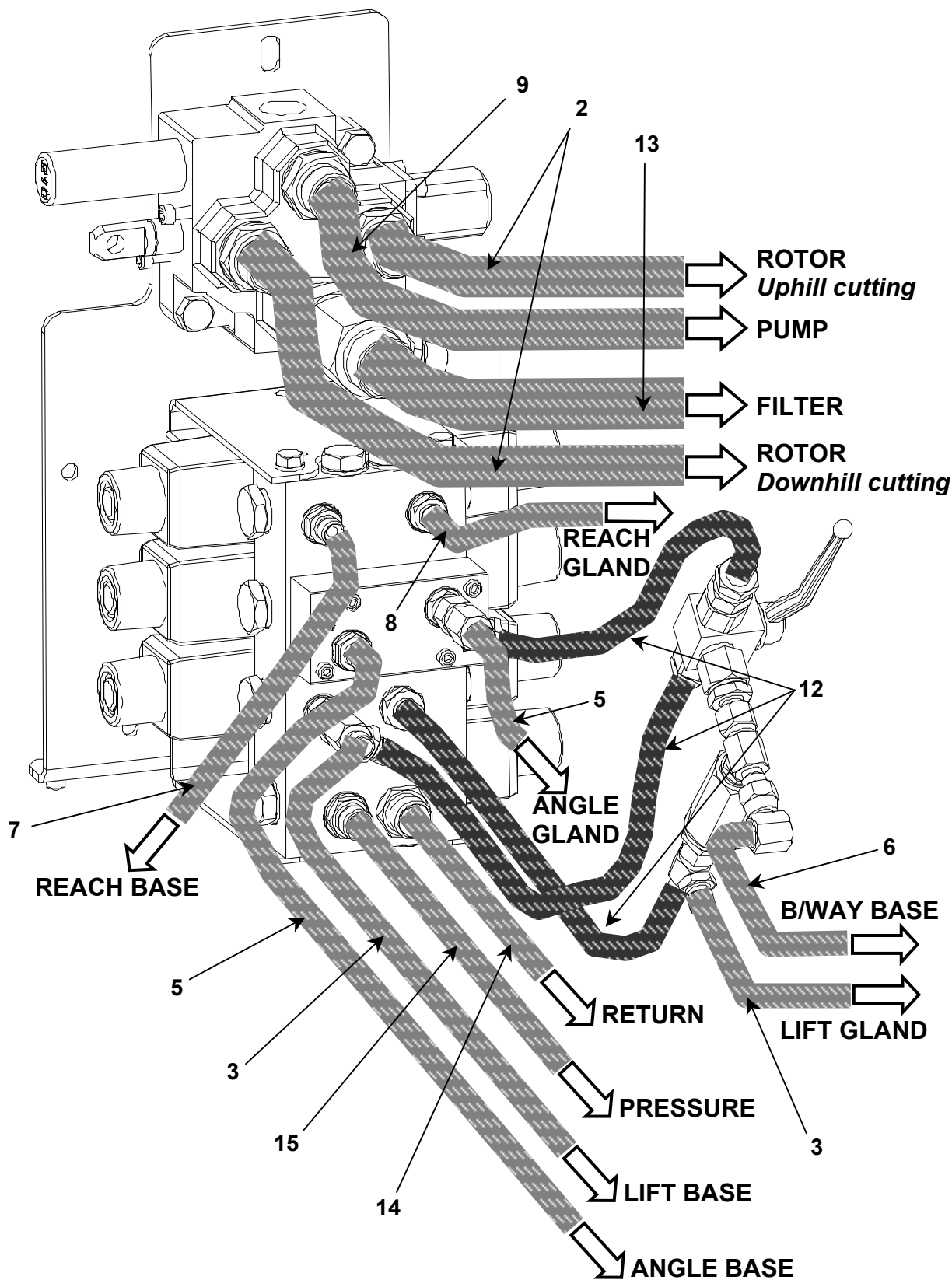
HOSE INSTALLATION - TI Electric

MODULES:

7447532 - L/H Electric machines

7447533 - R/H Electric machines

Illustrated in Left Hand build





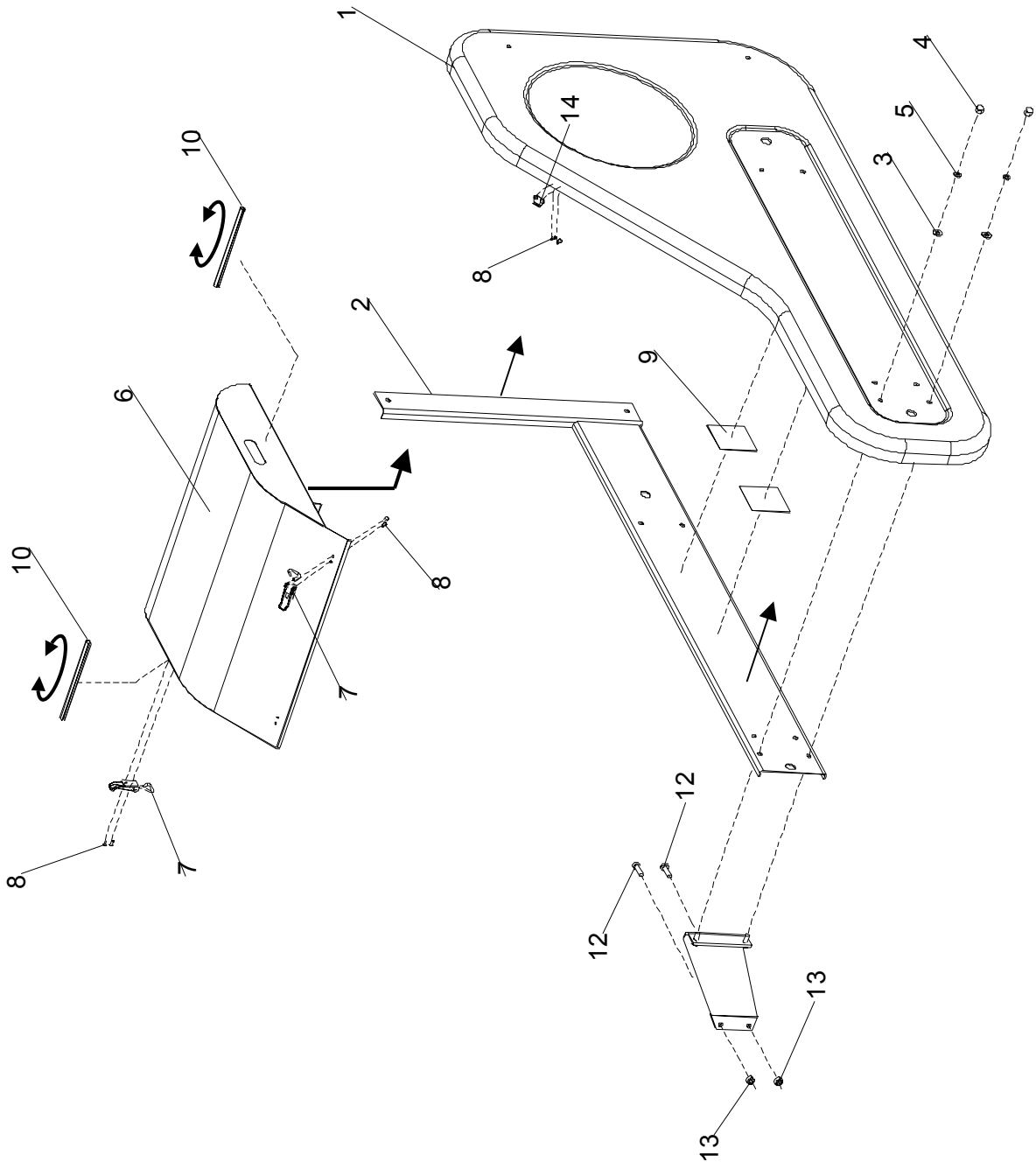
HOSE INSTALLATION KIT

REF.	QTY.	PART No.	DESCRIPTION
			HOSE KIT
1	1	8501192	HOSE 1 1/2" BSP x 27" LONG <i>Suction</i>
2	2	8538065	HOSE 3/4" BSP x 203" LONG <i>Flail motor</i>
3	2	8535192	HOSE 1/4" BSP x 44" LONG <i>Lift ram</i>
4	6	7135084	HOSE TIE
5	2	8515012	HOSE 1/4" BSP x 156" LONG <i>Angle ram</i>
6	1	8515142	HOSE 1/4" BSP x 144" LONG <i>Breakaway base</i>
7	1	8515242	HOSE 1/4" BSP x 106" LONG <i>Reach base</i>
8	1	8535212	HOSE 1/4" BSP x 124" LONG <i>Reach gland</i>
9	1	8535082	HOSE 1/4" BSP x 34" LONG <i>B/way gland to angle ram</i>
10	4	0904107	HOSE CLIP
11	1	7193026	HOSE ARMOUR
12	3	10.002.10	HOSE 1/4" BSP FS/F90 500mm LONG
13	1	8501142	HOSE 1" BSP x 58" LONG <i>Return to tank</i>
14	1	8532014	HOSE 1/2" BSP x 80" LONG <i>Return to tractor</i>
15	1	8538115	HOSE 3/4" BSP x 51" LONG <i>Pump to rotor control valve</i>
16	1	8531323	HOSE 3/8" BSP x 80" LONG <i>Supply from tractor valve</i>
17	2	8535092	HOSE 1/4" BSP x 22" LONG
18	1	8535102	HOSE 1/4" BSP x 17" LONG

REAR COVERS ASSEMBLY

MODULES:
7447543 - L/H
7447542 - R/H

Illustrated in Left Hand build



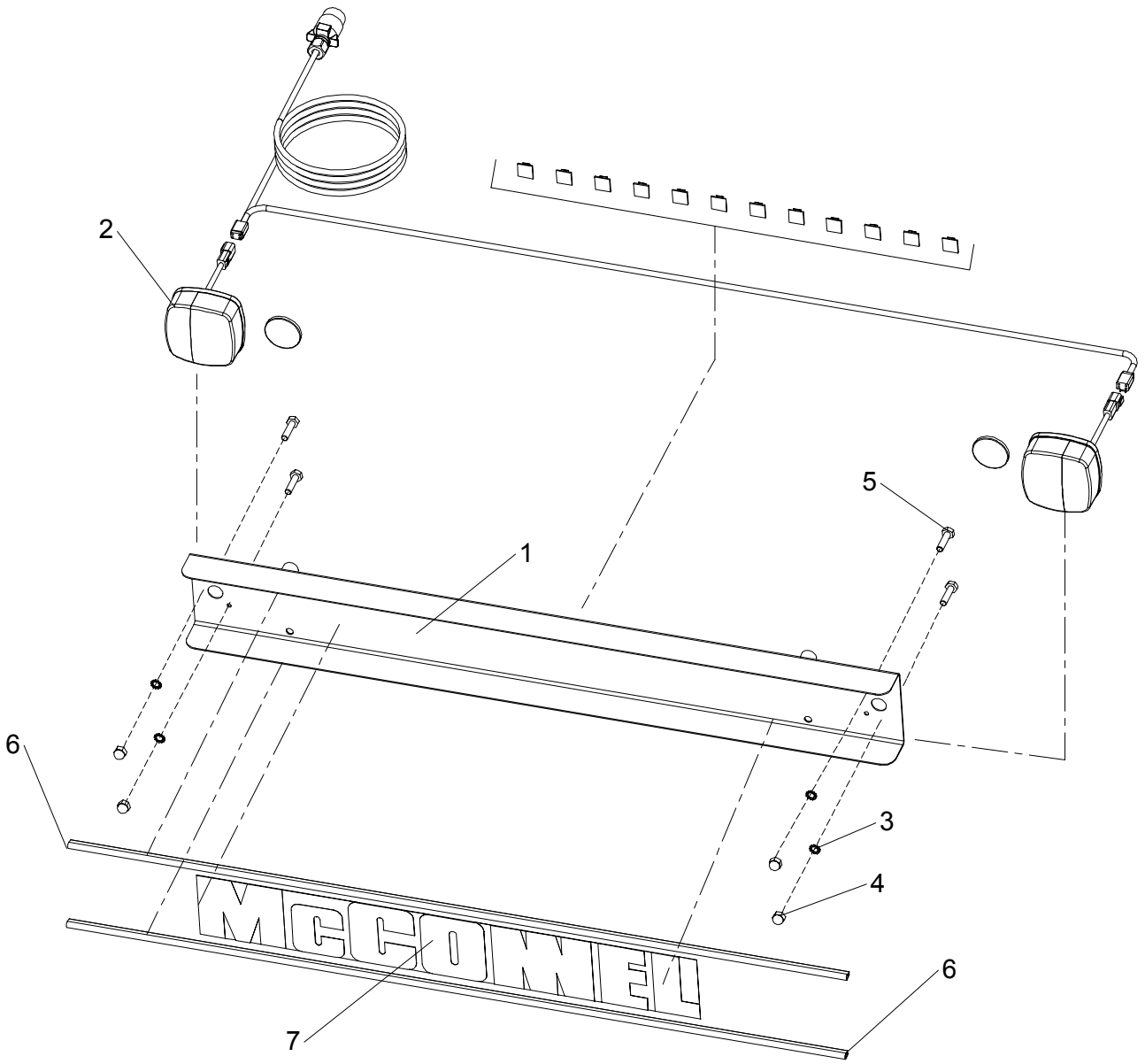


REAR COVERS ASSEMBLY

REF.	QTY.	PART No.	DESCRIPTION
		7447543	REAR COVERS ASSEMBLY - L/H
		7447542	REAR COVERS ASSEMBLY - R/H
1	1	45256.01	REAR COVER MOULDING - L/H
	1	45256.02	REAR COVER MOULDING - R/H (<i>not illustrated</i>)
2	1	45537.01	COVER MOUNT - L/H
	1	45537.02	COVER MOUNT - R/H (<i>not illustrated</i>)
3	2	9100105	FLAT WASHER M10
4	2	9100025	M10 DOME NUT
5	2	9100205	SPRING WASHER M10
6	1	45252.01	VALVE COVER - L/H
	1	45252.02	VALVE COVER - R/H (<i>not illustrated</i>)
7	2	43449.02	OVERCENTRE FASTENER
8	6	1069088	POP RIVET 4.5 DIA x 12 LONG
9	2	45831.01	SELF-ADHESIVE PAD
10	2	43468.03	EDGING STRIP (230MM LONG)
11	1	45873.01	SUPPORT BRACKET - L/H
	1	45873.02	SUPPORT BRACKET - R/H (<i>not illustrated</i>)
12	2	9313075	SETSCREW M10 x 35
13	2	9143005	SELF-LOCKING NUT M10
14	1	46007.01	HOOK - OVERCENTRE FASTENER

LIGHTING KIT ASSEMBLY

MODULE:
7451780



**LIGHTING KIT ASSEMBLY**

REF.	QTY.	PART No.	DESCRIPTION
		7451780	LIGHTING KIT ASSEMBLY
1	1	45828.01	LIGHT BAR
2	1	45900.02	LIGHTING KIT
3	4	9100405	SHAKEPROOF WASHER M10
4	4	9100025	DOME NUT M10
5	4	9213085	BOLT M10 x 40
6	2	43468.02	EDGING STRIP - 1037mm LONG
7	1	1290527	DECAL - McCONNEL 120mm x 840mm

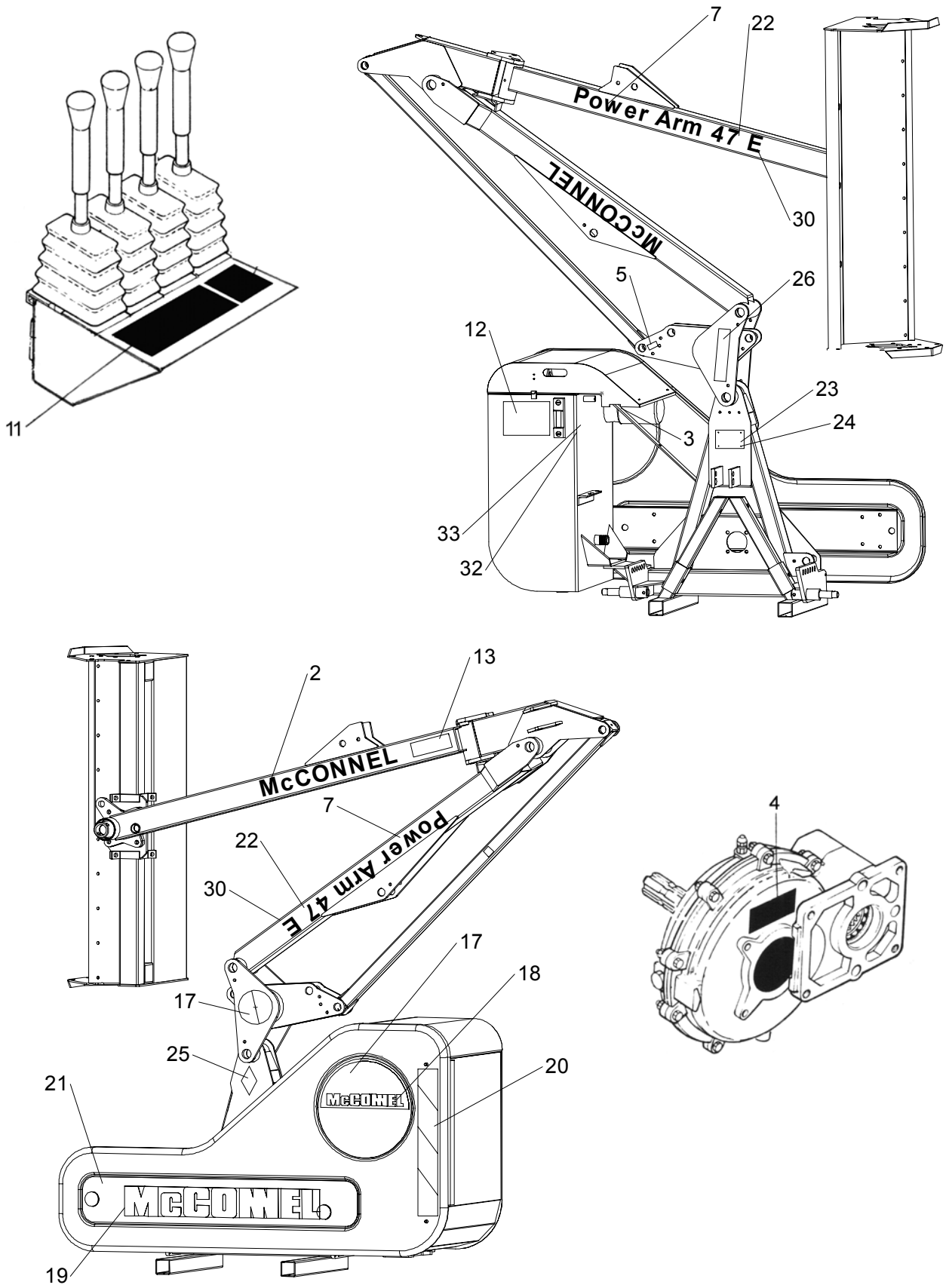
MACHINE DECALS

MODULES:

7447535 – Cable machines

7447536 – Electric machines

Illustrated in Left Hand build




MACHINE DECALS KIT

REF.	QTY.	PART No.	DESCRIPTION
		7447535	DECALS KIT - PA47 CABLE MODELS
		7447536	DECALS KIT - PA47 ELECTRIC MODELS
1	1	00756494	DRIVELINE HAZARD
2	6	02962764	PINCH POINT
3	2	1290023	OIL FILTER LABEL
4	1	1290054	GEARBOX OIL CAPACITY
5	1	1290074	SLING HERE
6	2	1290255	McCONNEL BLACK
7	2	1290295	POWER ARM
8	1	1290296	LOGO
9	2	1290341	FLAIL STICKER
10	1	1290352	IN CAB WORKING
11	1	1290368	CONTROL STICKER
12	1	1290391	SAFETY STICKER
13	1	1290403	BREAKAWAY WARNING
14	2	1290453	PA - BLACK
15	1	1290455	TANK FAIRING DECAL - COLOURED
16	1	1290509	45 HP DECAL
17	1	1290524	LOGO ROUNDEL
18	1	1290525	McCONNEL - SMALL
19	1	1290527	McCONNEL - LARGE
20	1	1290528	WARNING CHEVRON - L/H BUILD
	1	1290529	WARNING CHEVRON - R/H BUILD
21	1	1290539	BACKING PANEL - YELLOW
22	3	1290560	47 - BLACK
23	1	1335246	SERIAL No. PLATE
24	4	7103230	RIVET
25	1	7105130	READ INSTRUCTION BOOK
26	1	7135295	TIGHTEN CHECK CHAINS
27	n/a	1290080	POWER DECAL - JOYSTICK ONLY
28	n/a	1290451	CONTROLS DECAL - JOYSTICK ONLY
29	n/a	1290458	CONTROLS DECAL - SWITCHBOX
30	n/a	1290071	E - BLACK
31	n/a	1290082	WORK / PARK
32	n/a	7109143	SOLOINOID CONNECTIONS
33	n/a	8402121	ELECTRICAL CONNECTIONS STICKER