

MULTI CARRIER

HXF 2302



PARTS

UK

4th Edition 2017

 **GREENTEC**

Cutting Edge Technology

GreenTec HXF 2302

PARTS

4. Edition – Oct. 2017

Please ensure that this manual is handed to the operator before using the machine for the first time. If the machine is resold the Parts list must be given to the new owner!

The information contained in this Parts list is correct at the time of publication. However, in the course of constant development, changes in specification are inevitable. Should you find the information given in this book different to the machine it relates to please contact the “After Sales Department” for advice.



Merkurvej 25
DK 6000 Kolding
Denmark
Tel: +45 75553644
Fax: +45 75554243
Email: info@greentec.eu
web: www.greentec.eu

CONTENT

USEFUL INFORMATION	6
ORDERING PARTS	7
SPARE PARTS	8
Armsystem	8
Head angle ram.....	10
Break-Back system	11
Splitter valve Simple.....	12
Splitter valve Advanced (Option).....	13
Counterweight (Option)	14
RI 60-80 Adapter Kit.....	15
LRS & HL Adapter Kit.....	16

INTRODUCTION

Dear customer!

Your new Greentec machine is constructed with background in more than 20 years experience with tractor mounted machines to maintenance of green areas. This machine is produced by the latest technology and recognized safety regulations, standards and regulations.

We want to make a product available in such a way, that neither the use of the machine during transportation or maintenance of the machine causes any damage or misunderstandings.

This parts list contains information that are important and useful for maintaining your GreenTec machine's reliability, dependability and value.

You are welcome to visit our website www.greentec.eu - where the login via the dealer's access gives you the latest updates on instructional and part books on our entire product range.

We hope you will be pleased with your new GreenTec machine.



Best regards,



John Christensen
Sales Director GreenTec A/S

Greentec's vision is to develop and sell quality machines for the maintenance of green areas, including in agriculture, in industry, at airports and in the local sector. Through innovative product development, we will strive to become a leader in our field.

All machines are developed in a simple and functional design in close cooperation with dealers and end users. It is our goal to cover every need in the market segment with preferably 2 different solutions. In-depth analysis of requirements and serious advice to the customer is offered the best solution, where individual needs can be met through the modularity of the product program.

Our goal is also to offer the best possible after sales service, and a quick and efficient spare parts supply.

USEFUL INFORMATION

Before using the machine for the first time, it's the seller's responsibility that the buyer is given this parts list. If the machine is resold, the parts list must be transferred to the new owner.

Please fill out the list below to ensure that the necessary information is at hand when ordering spare parts etc.

Serial No

Delivery date

Dealer

Tel/ E-mail



Merkurvej 25
DK 6000 Kolding
Denmark

Tel: +45 75553644

Fax: +45 75554243

Email: info@greentec.eu

web: www.greentec.eu

ORDERING PARTS

When ordering parts please refer to your parts list to help your dealer with your order.

- Part number and quantity
- Description
- Machine model number
- Serial number of the machine
- Delivery instructions (e.g. next day).

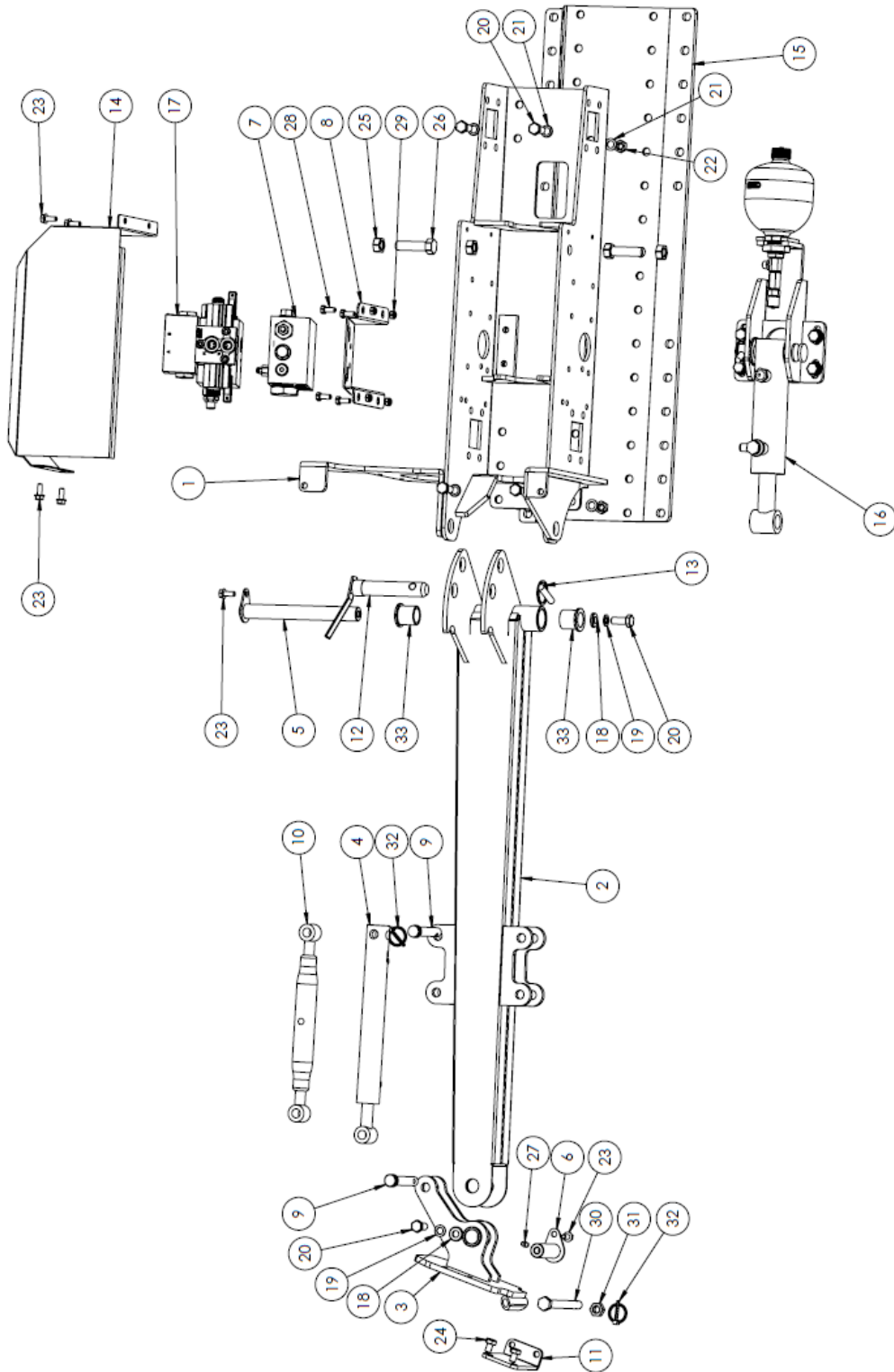
Delivery is normally via carrier direct to your dealer. Please check with your dealer for stock availability and arrangement of dispatch. Ensure you or your dealer has sufficient cover for parts requirement outside factory hours.

Important Note

The information contained in this manual is correct at the time of publication. However, in the course of constant development, changes in specification are inevitable. Should you find the information given in this book different to the machine it relates to, please contact the “After Sales Department” for advice.

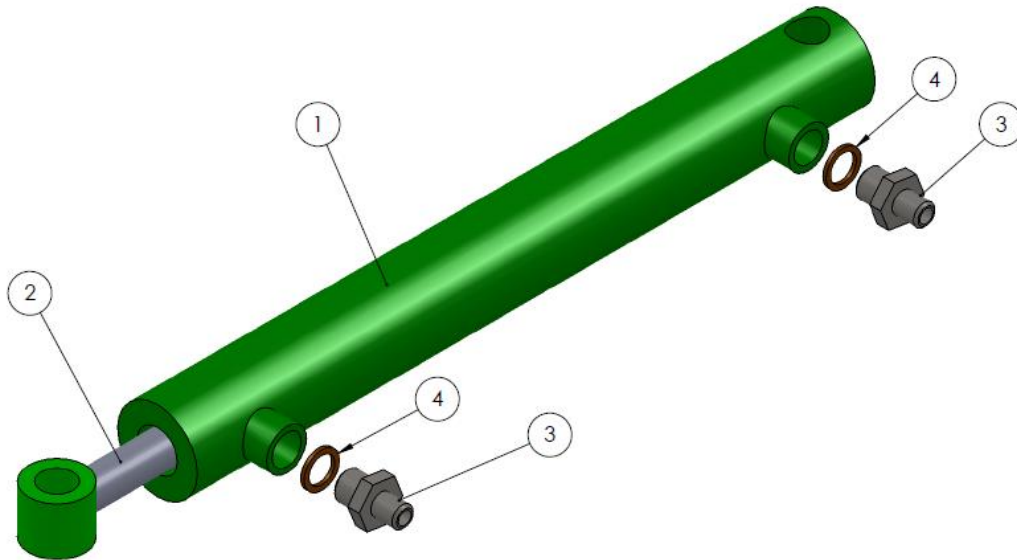
Key:

(LH)	=	Left hand
(RH)	=	Right hand

SPARE PARTS
Arm system


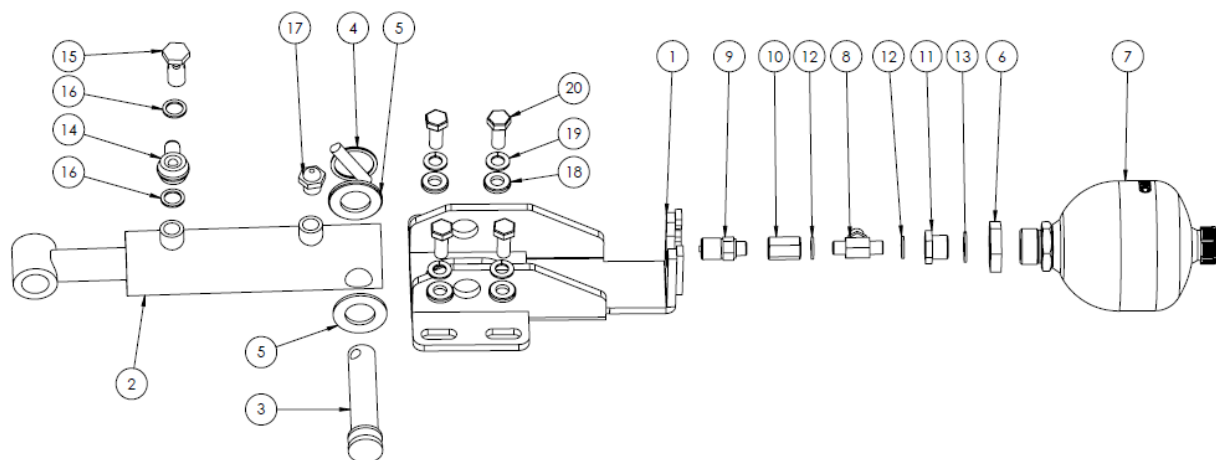
NO.	PART NUMBER	DESCRIPTION	QTY.
1	6701506	Mainframe	1
2	6701507	Arm	1
3	6701508	Head crowd bracket	1
4		See "Head Angle Ram"	1
5	6701509	Main Pin	1
6	6701510	Pin	1
7		See "Splitter valve simple"	1
8	6701002	Mounting Plate for Valve	1
9	6706001	Pin	2
10	6706002	Top link	1
11	6701003	Support Leg	1
12	6706003	Pin with Handle	1
13	6706004	Lynch Pin	1
14	6701004	Lid "Right"	1
14	6701008	Lid "Left"	1
15	6701001	Mounting Plate	1
16		See "Break back system"	1
17		See "Splitter valve advanced"	1
18	8222011	Washer HD	2
19	8222005	Lock Washer Ø12	2
20	8222006	Bolt	7
21	2770434	Washer Ø12	10
22	8362005	Lock Nut M12	5
23	6702001	Bolt	6
24	8142002	Bolt	2
25	2770449	Nut	2
26	8362002	Bolt	2
27	2770467	Grease point	1
28	2770402	Bolt	4
29	2770416	Lock Nut M8	4
30	6701511	Quick Release Bolt	1
31	6702004	Nut M14	1
32	6706005	Lynch Pin	3
33	6704001	Bush	2

Head angle ram



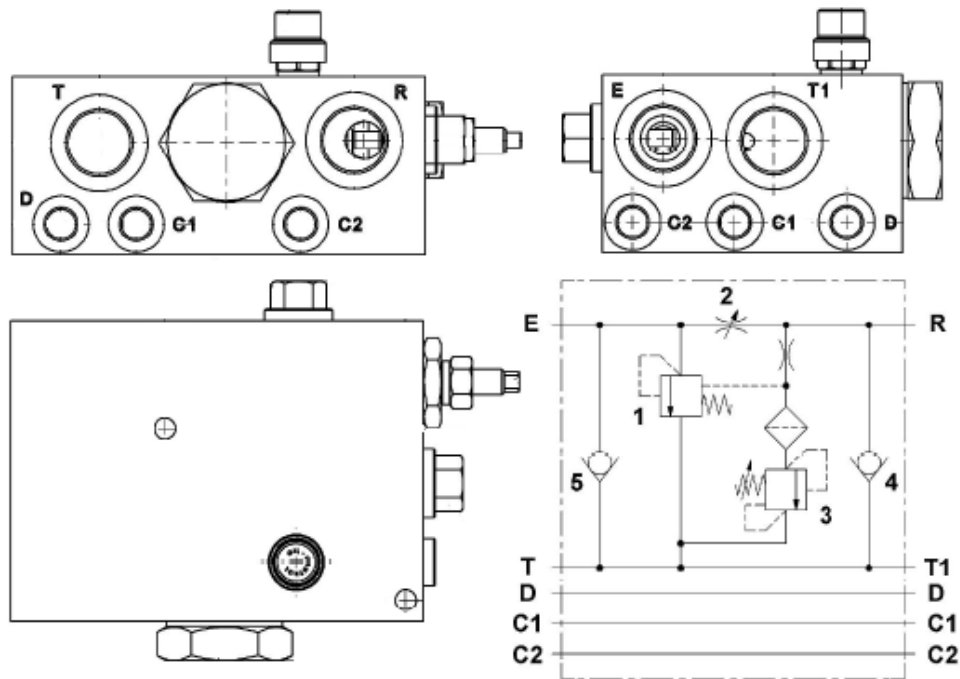
NO.	PART NUMBER	DESCRIPTION	QTY.
1	6703001	Head angle ram	1
2		N/A	1
3	6703002	Nipple W/reduction	2
4	6703003	Seal	2

Break-Back system

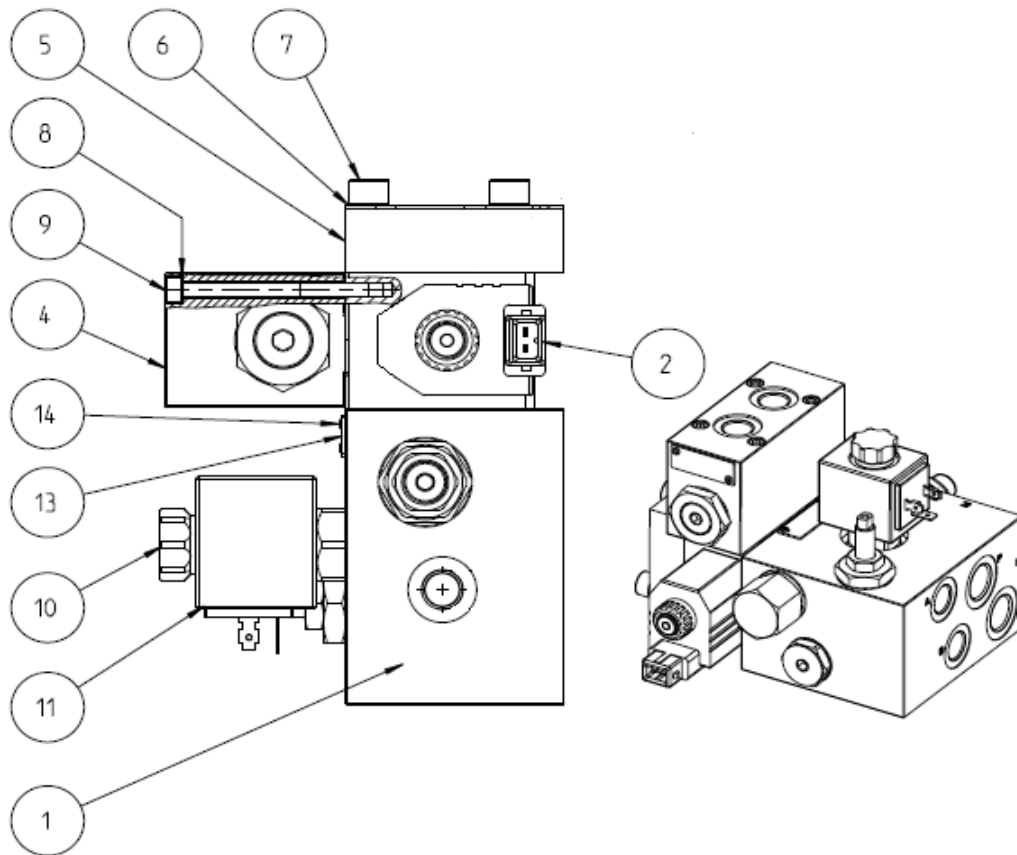


NO.	PART NUMBER	DESCRIPTION	QTY.
1	6701512	Mounting Plate	1
2	6703004	Ram "Break-Back"	1
3	6706006	Pin	1
4	00.372.01	Lynch Pin	1
5	2770464	Washer	2
6	6702005	Nut	1
7	6703005	Accumulator 0,75L	1
8	6703006	T-adapter	1
9	6703007	Mini-Mesh	1
10	6703008	Socket	1
11	6703009	Reduction	1
12	8143005	Seal	2
13	6703010	Seal	1
14	6703011	Banjo	1
15	6703012	Banjo Bolt	1
16	6703003	Seal	2
17	6703013	Filter	1
18	8222011	Washer HD Ø12	4
19	8222005	Lock Washer Ø12	4
20	8222006	Bolt	4

Splitter valve Simple



NO.	PART NUMBER	DESCRIPTION	QTY.
1	6703014	Splitter valve Assembly	1

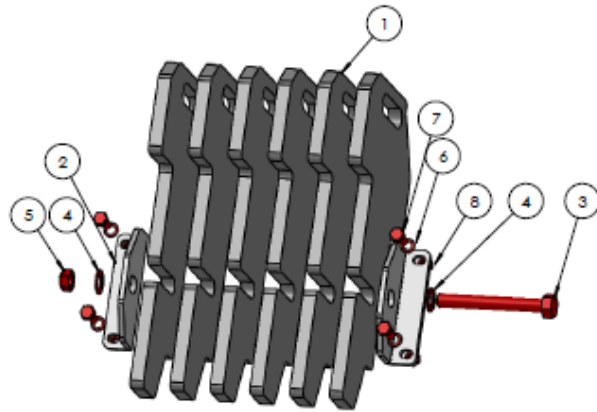
Splitter valve Advanced (Option)


NO.	PART NUMBER	DESCRIPTION	QTY.
1	6703015	Splitter valve. Assembly	1
2	6703016	Coil	1
4	6703017	Double check valve	1
5		N/A	
6		N/A	
7		N/A	
8		N/A	
9		N/A	
10	6703018	Solenoid	1
11	6703019	Coil	1
13		N/A	
14		N/A	
Not shown	6703020	Additional hosekit for Eletric valve bank	1

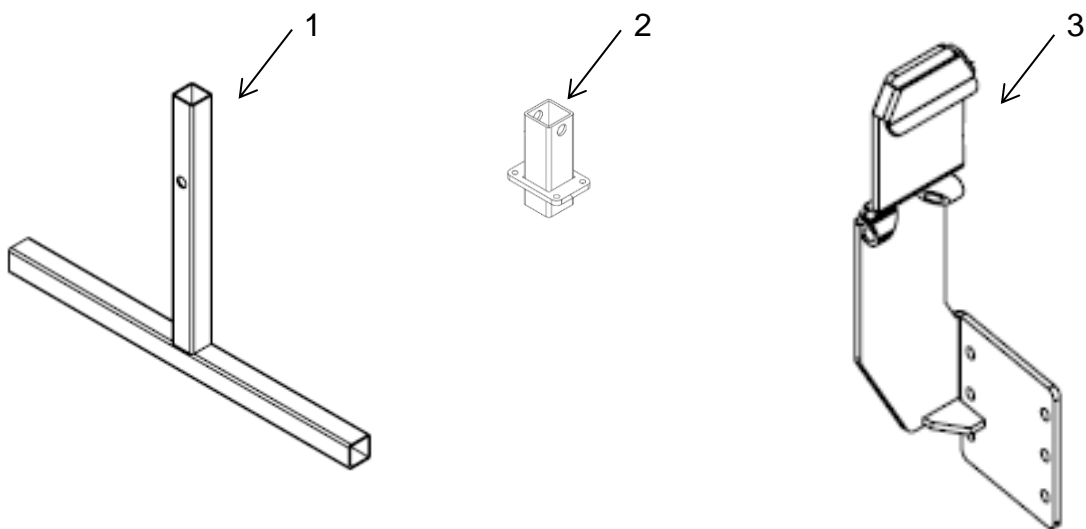
Controlbox with cabel



ITEM NO	PART NUMBER	DESCRIPTION	QTY
1	6708004	Controlbox	1
2	6708003	Cable for valve	1
NS	6708004.2	Extension cabel 6Mtr	1

Counterweight (Option)


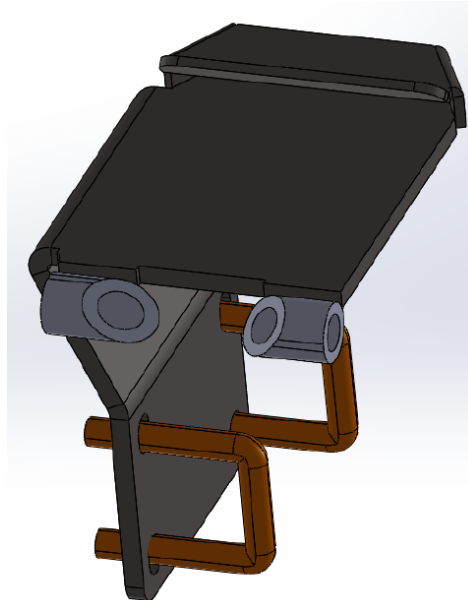
NO.	PART NUMBER	DESCRIPTION	QTY.
1	6701005	Counterweight	6
2	6701006	Weight support bracket	2
3	6702006	Bolt	1
4	2770517	Washer	2
5	2770409	Locknut	1
6	2770434	Washer	4
7	8362006	Bolt	4

RI 60-80 Adapter Kit


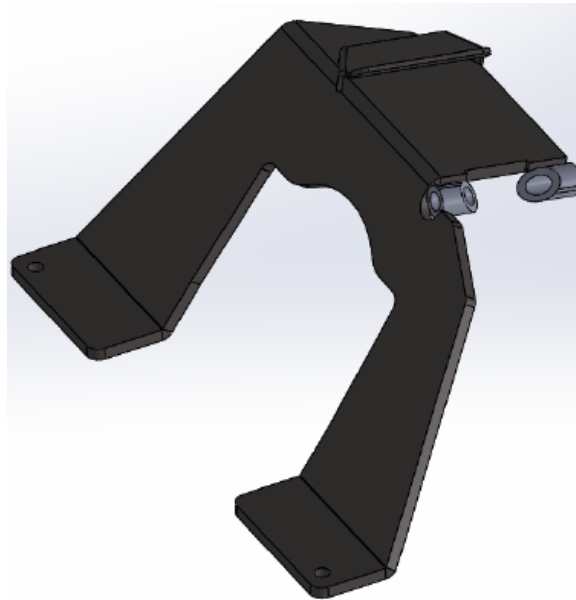
NO.	PART NUMBER	DESCRIPTION	QTY.
1	6701501	Leg	2
2	6701502	Leg support	2
3	6701503	Mounting Bracket RI	1

LRS & HL Adapter Kit

LRS Bracket:



HL Bracket:



NO.	PART NUMBER	DESCRIPTION	QTY.
1	6701505	Mounting Bracket LRS saw	1
2	6701504	Mounting Bracket HL hedgecutter	1

Sticker Kit



HXF2302 advarselsmærker - 266 x 85 mm



8770322 Smørring - 50 x 24 mm



HXF 2302 - 400 x 57,2 mm



HXF2302_8770296 - 58 x 58 mm



GreenTec_Påbudsmærker - 130 x 25 mm



Made in denmark - 50 x 16 mm

HXF2302 KITS

NO.	PART NUMBER	DESCRIPTION	QTY.
1	HXF2302KITS	Sticker kit cpl.	1

*Sticker kits for tools. See Spare parts book for each tool.



Merkurvej 25 | DK-6000 Kolding | Tel.: +45 75 55 36 44 | info@GreenTec.eu | www.GreenTec.eu

Cutting Edge Technology