

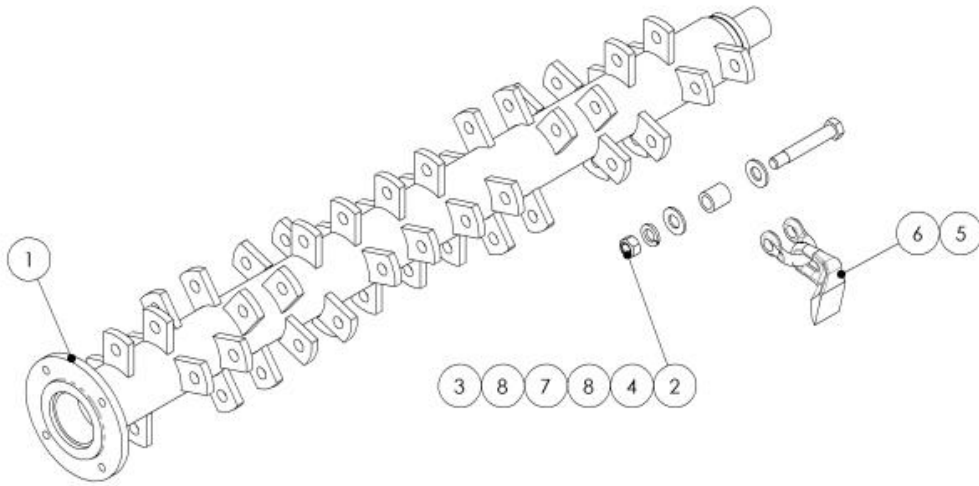
# **PARTS MANUAL**

**FOR**

**SERIAL NO: M2061947**

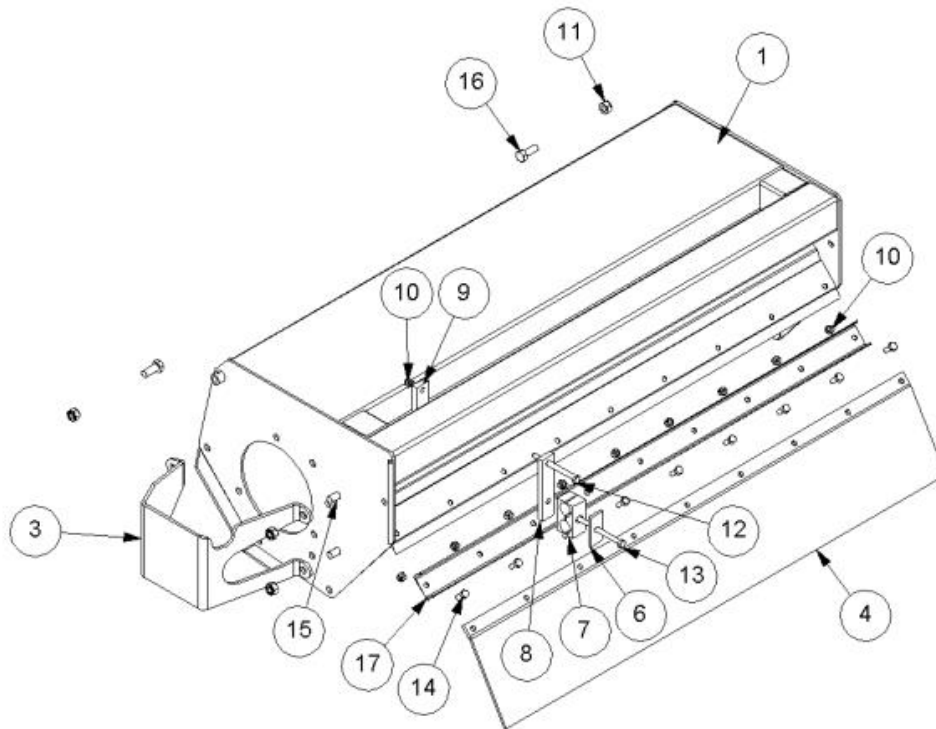
**PRINTED ON 13 MAY 2020**

# 21959.10 - ROTOR MODULE



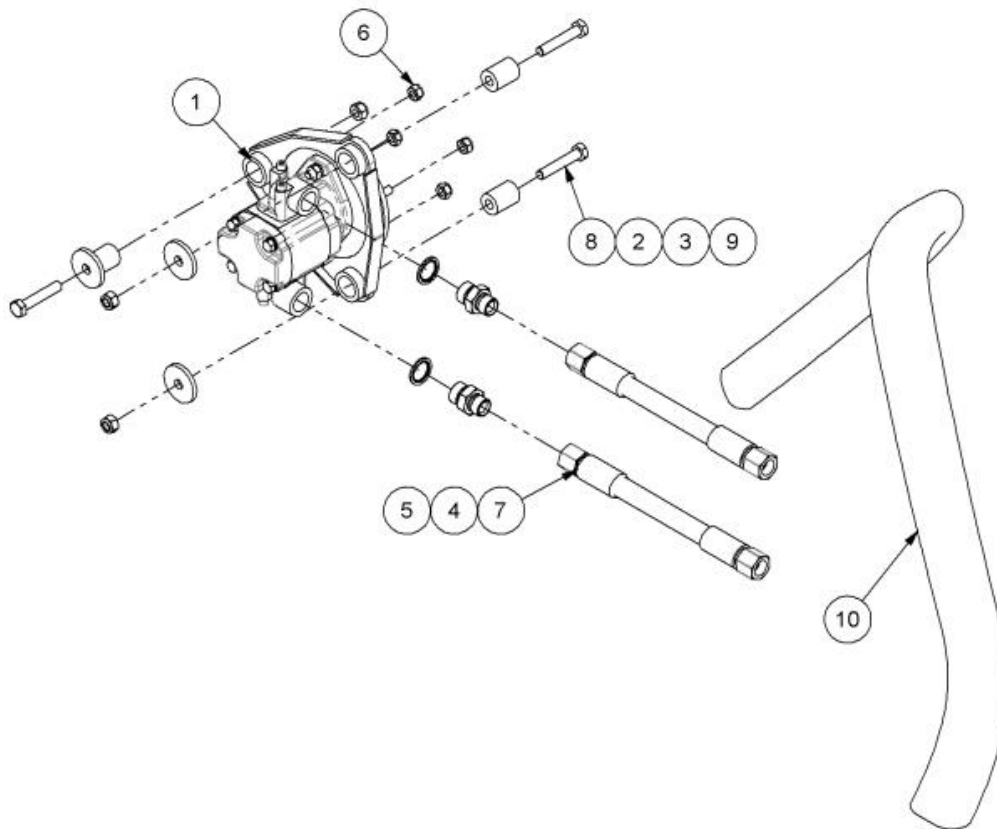
Ref	Part No	Description	QTY
1	41284.02	ROTOR WDMT	1
2	05.968.06	NUT	28
3	05.775.10	BOLT	28
4	9100207	WASHER	28
5	05.895.01	SHACKLE	28
6	7190463	FLAIL - BOOT	28
7	02.807.01	SPACER	28
8	05.281.04	WASHER	56

# 22494.32 - CASING MODULE



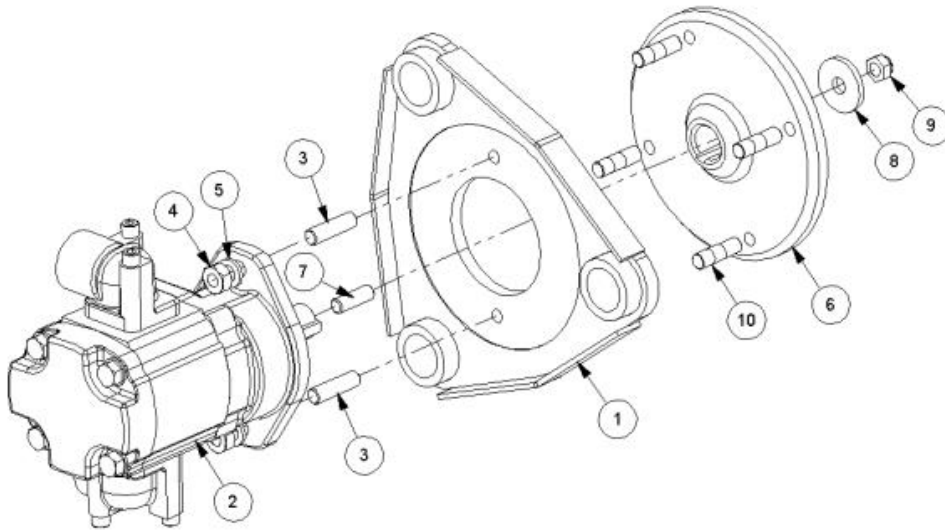
Ref	Part No	Description	QTY
1	41282.12	CASING	1
3	42495.01	COVER	1
4	41289.02	FLAP	1
6	06.418.03	PLATE	1
7	06.430.09	CLAMP PAIR	1
8	21874.01	PLATE	1
9	21874.02	PLATE	1
10	9163004	NUT	11
11	9163006	NUT	4
12	9213204	BOLT	1
13	9213304	BOLT	1
14	9313044	SCREW	9
15	9313056	SCREW	2
16	9313066	SCREW	2
17	41290.03	CLAMP STRIP	1

# 22495.32 - MOTOR MODULE



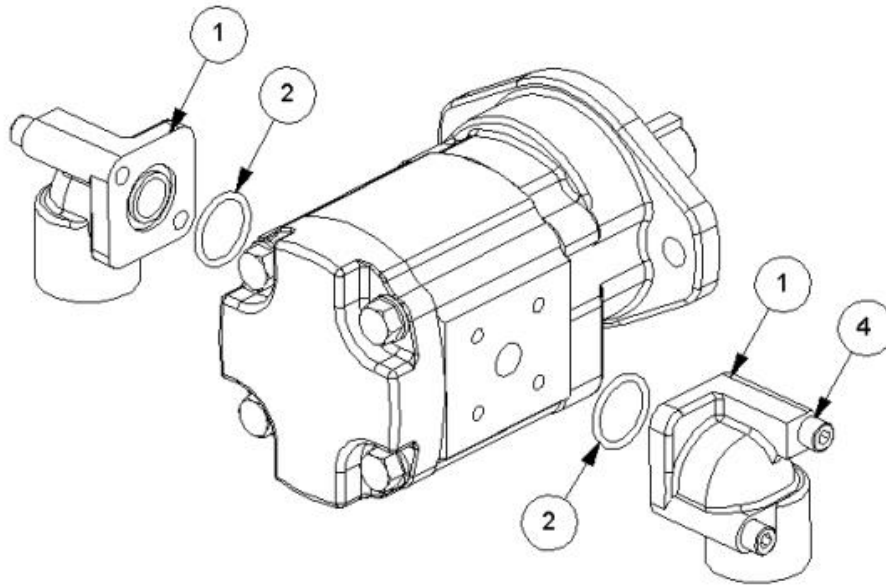
Ref	Part No	Description	QTY
1	<b>42603.02</b>	MOTOR & MTG	1
2	03.871.01	BUSH	3
3	02.824.01	WASHER	3
4	8581270	ADAPTOR	2
5	8650106	SEAL	2
6	05.968.02	NUT	4
7	10.007.30	HOSE	2
8	9213136	BOLT	3
9	9163006	NUT	3
10	22590.26	HOSE SLEEVING	1

# 42603.02 - MOTOR & MTG



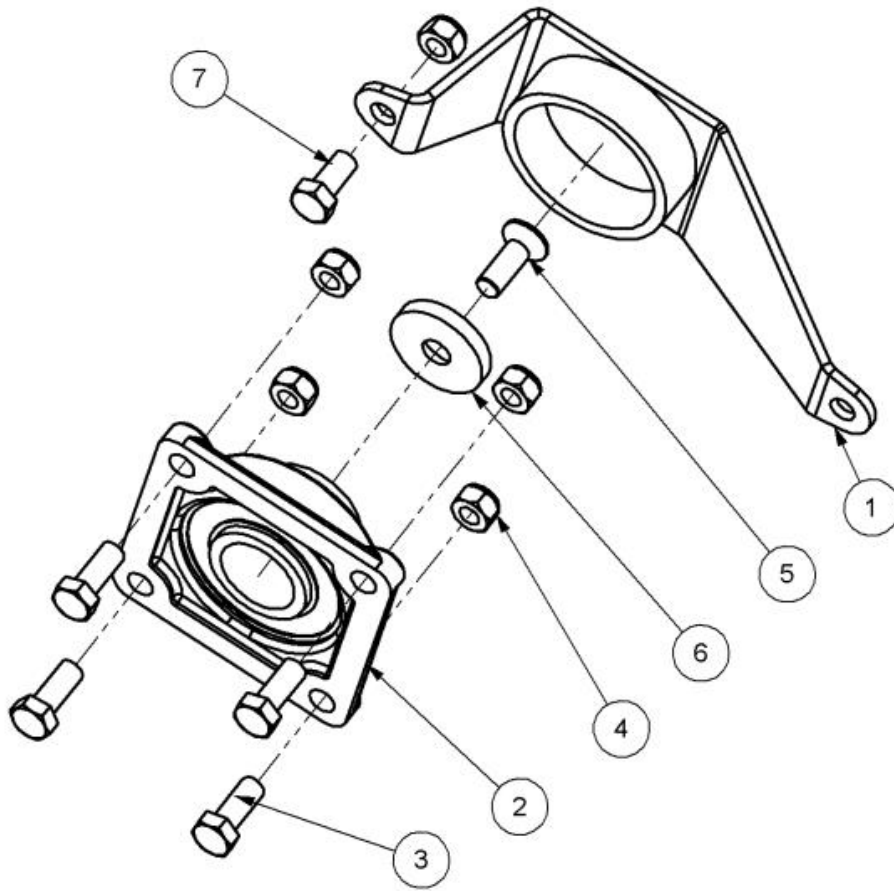
Ref	Part No	Description	QTY
1	09.132.01	PLATE	1
2	<b>08.785.05</b>	MOTOR	1
3	04.282.56	STUD	2
4	9113005	NUT	2
5	9100205	WASHER	2
6	03.833.01	PLATE	1
7	03.960.02	STUD	1
8	03.959.02	WASHER	1
9	0141003	NUT	1
10	03.917.01	STUD	4

# 08.785.05 - MOTOR



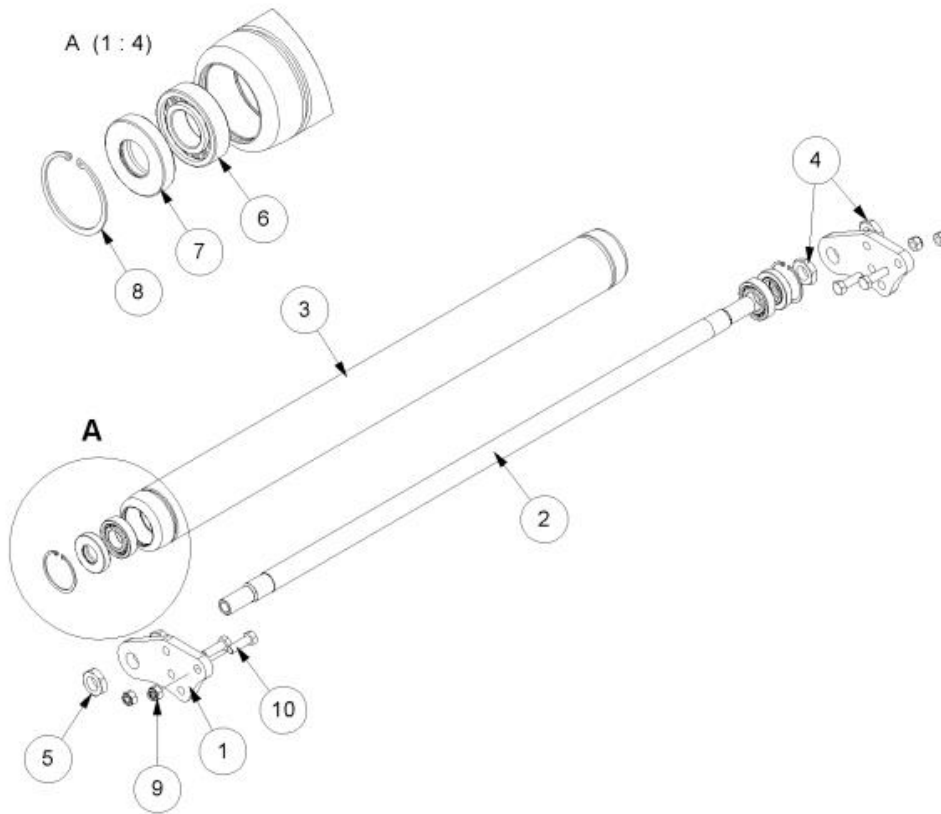
Ref	Part No	Description	QTY
1	08.785.07	FLANGE	2
2	8600403	"O" RING	2
3	08.785.06	SEAL KIT	1
4	05.625.25	CAPSCREW	2

# 22498.09 - DRIVE MODULE



Ref	Part No	Description	QTY
1	42496.01	COVER	1
2	03.008.01	BEARING	1
3	9313066	SCREW	4
4	9163006	NUT	5
5	9353076	SCREW	1
6	42503.01	WASHER	1
7	9313056	SCREW	1

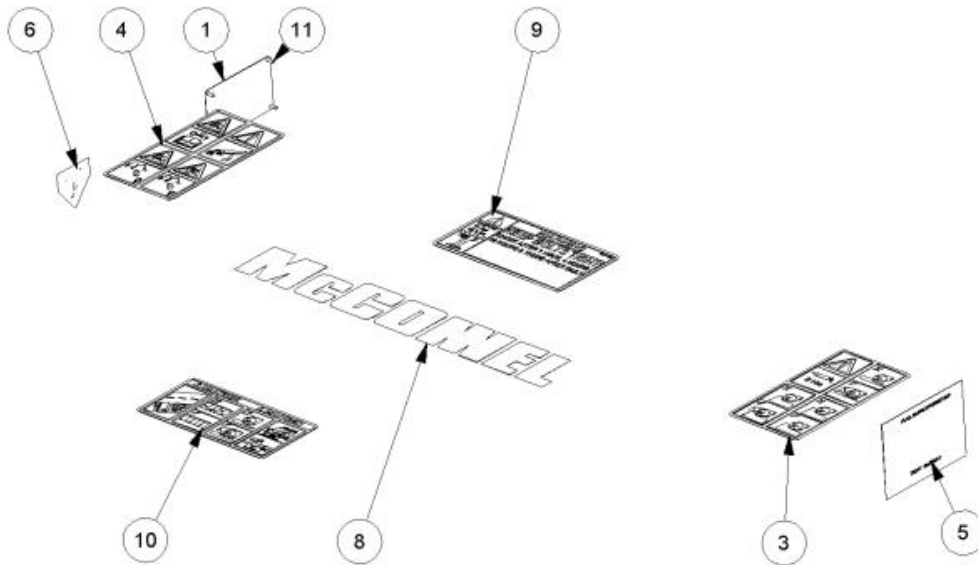
# 22562.22 - ROLLER MODULE



Ref	Part No	Description	QTY
1	41285.08	BRACKET	2
2	22562.04	TUBE	1
3	22562.13	ROLLER W/A	1
4	0131039	NUT	2
5	0131009	NUT	2
6	0600100	BEARING	2
7	8629250	SEAL	2
8	0411262	CIRCLIP	2
9	9163006	NUT	4
10	9213086	BOLT	4



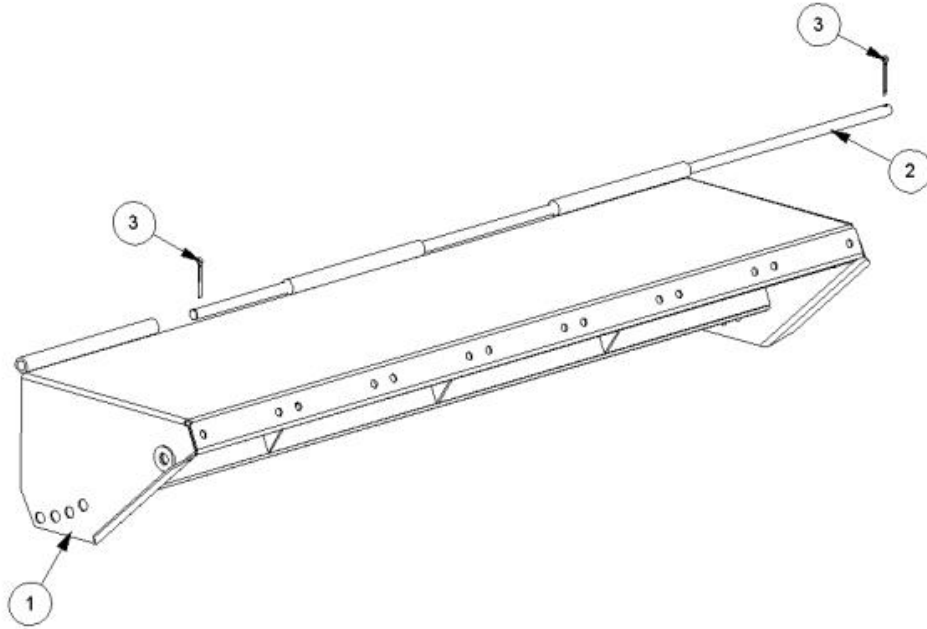
# 7350710 - STICKER MODULE



Ref	Part No	Description	QTY
1	1335246	SERIAL No. PLATE	1
3	1290738	DECAL	1
4	09.821.35	DECAL	1
5	1290392	DECAL	1
6	09.810.01	DECAL	1
8	1290255	DECAL	1
9	1291065	DECAL	1
10	1291231	DECAL	1
11	7103230	RIVET	4

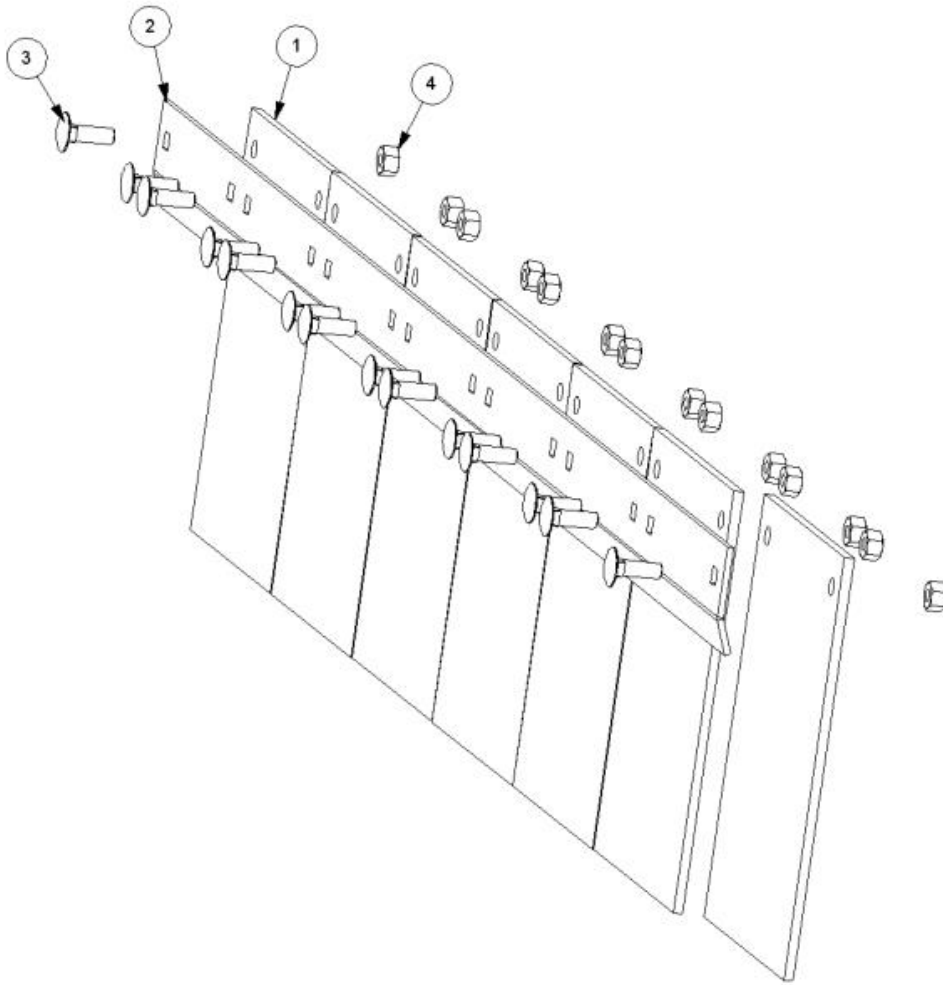
# 7442250 - FOR HOOD KIT USE

## 7442250S



Ref	Part No	Description	QTY
0	41283.02	HOOD	1
0	41293.02	BAR	1
0	9501325	PIN	2
1	41283.02	HOOD	1
2	41293.02	BAR	1
3	9501325	PIN	2

# 7442254 - FLAP KIT



Ref	Part No	Description	QTY
1	41296.02	FLAP	7
2	41291.02	STRIP	1
3	9293054	BOLT	14
4	9163004	NUT	14