

## **XL - XL S**



## **XZL - XZL S**



## **MICRO**



CATALOGO PARTI DI RICAMBIO  
SPARE PARTS CATALOGUE  
CATALOGUE PIECES DE RECHANGE  
ERSATZTEILLISTE  
CATÁLOGO PARTES DE REQUESTO

**XL-XL S • XZL-XZL S 110 • 130 • 150 • 180**

**MICRO 110 • 130 • 150**



## per ordinare i pezzi di ricambio

Per una corretta ordinazione dei pezzi di ricambio è necessario indicare i seguenti elementi:

- 1) Modello della macchina,
  - 2) Numero di catalogo,
  - 3) Codice del ricambio,
  - 4) Quantità richiesta.
- 

## pour commander les pièces de rechange

Pour commander les pièces de rechange il faut indiquer:

- 1) Modèle de la machine,
  - 2) Nombre du catalogue,
  - 3) Code de la pièce de rechange,
  - 4) Quantité demandé.
- 

## to order the spare parts

To order the spare parts correctly you must specify:

- 1) Model of the machine,
  - 2) Catalogue number,
  - 3) Spare part code number,
  - 4) Required quantity.
- 

## um die Ersatzteile zu bestellen

Für eine korrekte Bestellung der Ersatzteilen müssen die folgende Einzelheiten angegeben werden:

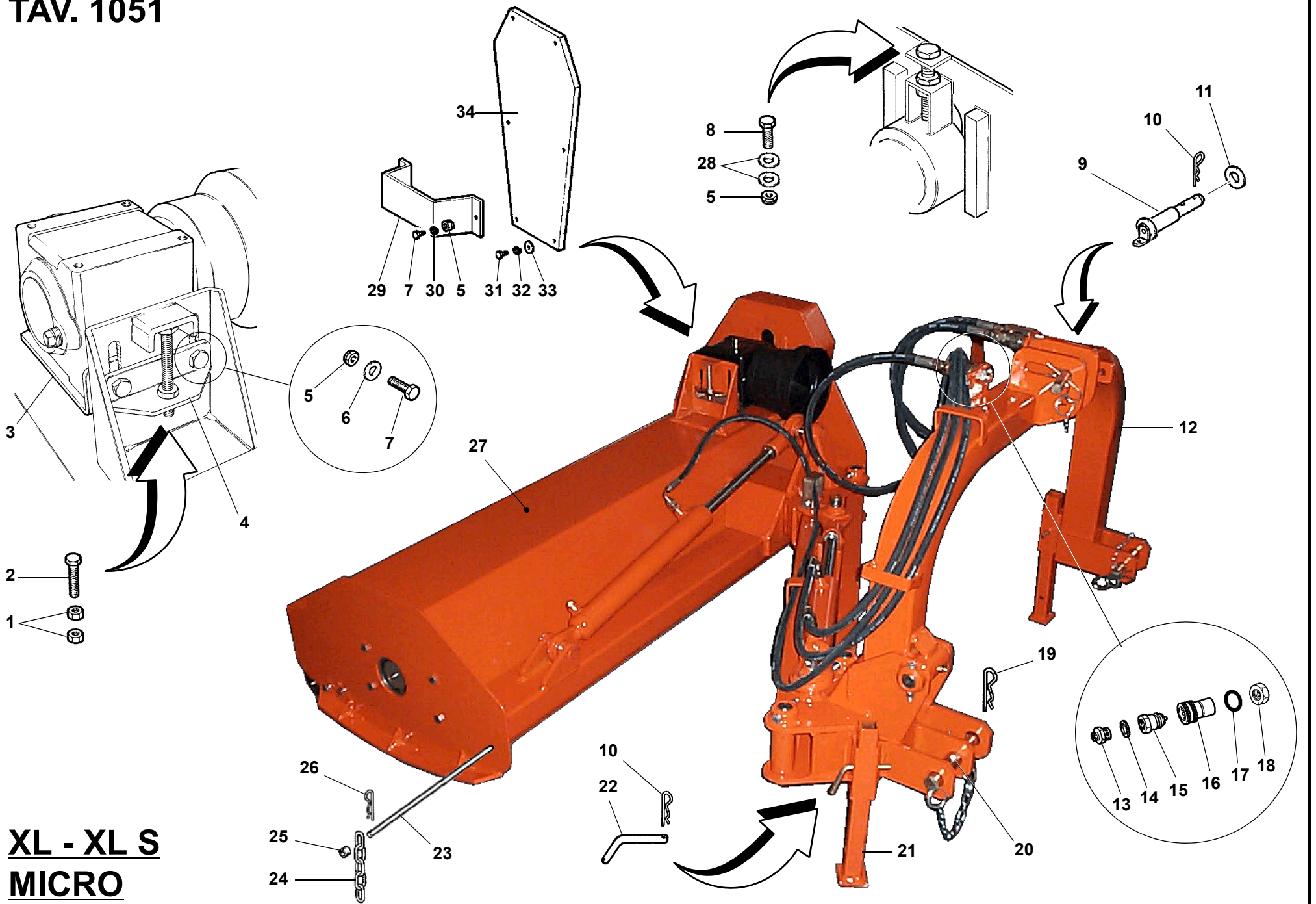
- 1) Gerät-Modell,
  - 2) Katalog-Nummer,
  - 3) Teil-Nummer,
  - 4) Gewünschte Menge.
- 

## para pedir las partes de requesto

Para pedir correctamente las partes de requesto se tiene que especificar:

- 1) Modelo de la máquina,
- 2) Número de catálogo,
- 3) Código de la parte de requesto,
- 4) Cantidad pedida.

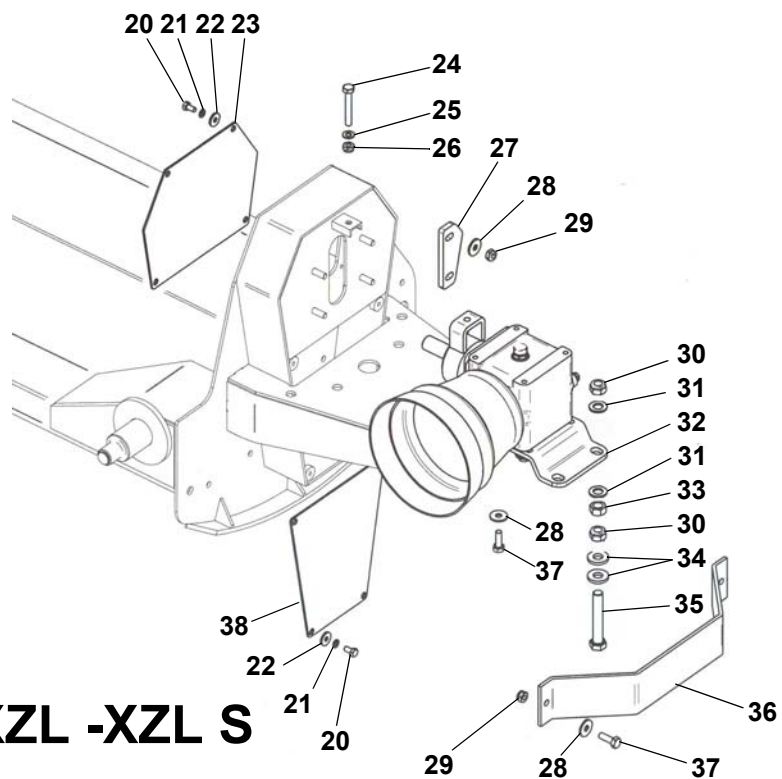
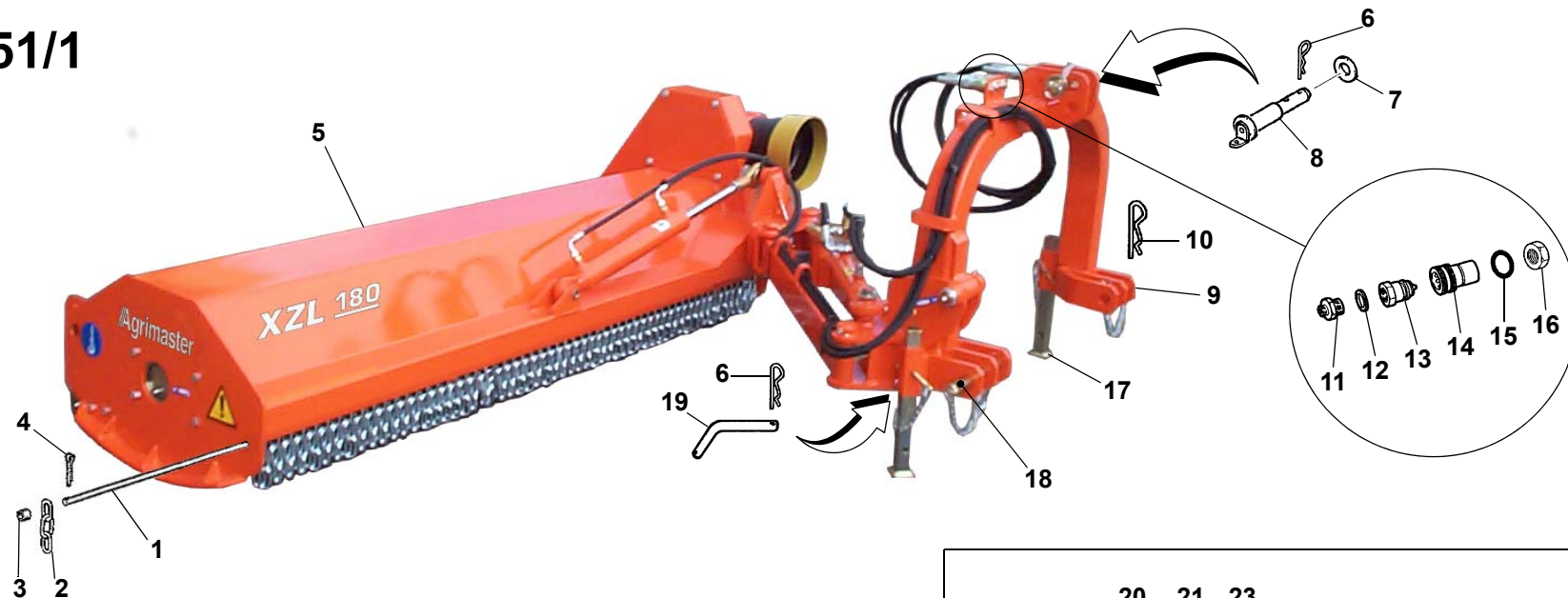
TAV. 1051



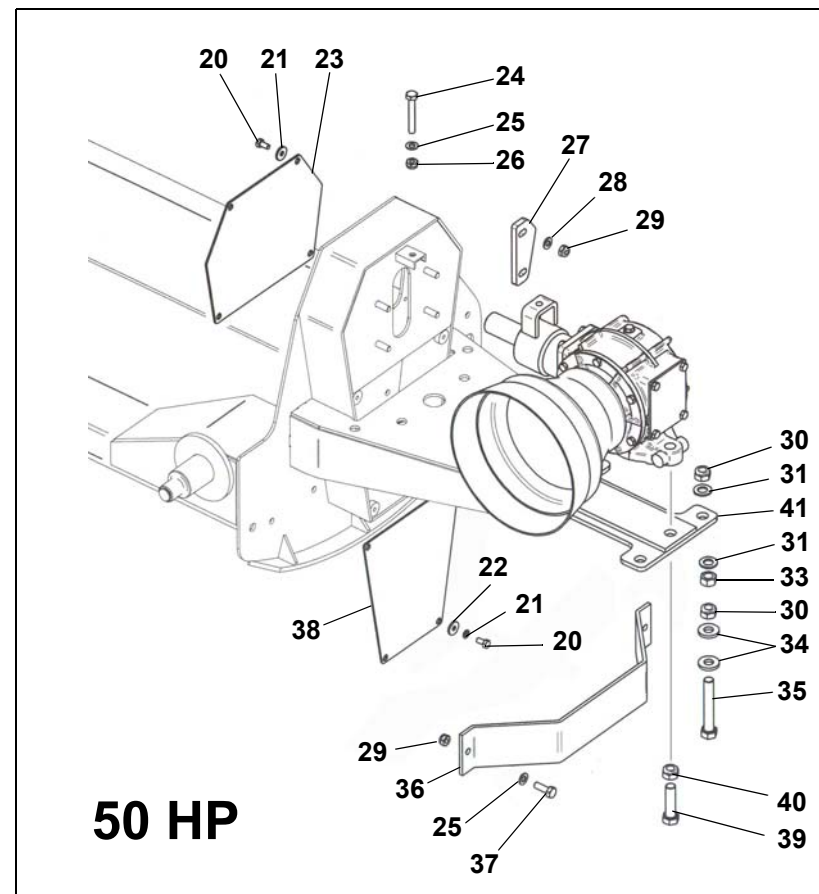
**XL - XL S**  
**MICRO**



# TAV. 1051/1



**XZL -XZL S**



**50 HP**

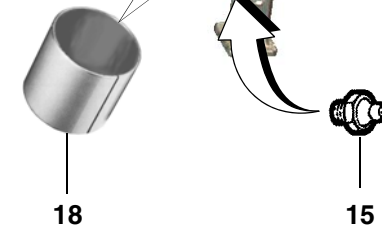
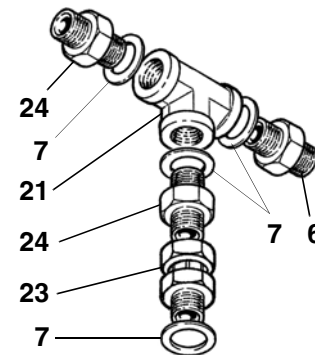
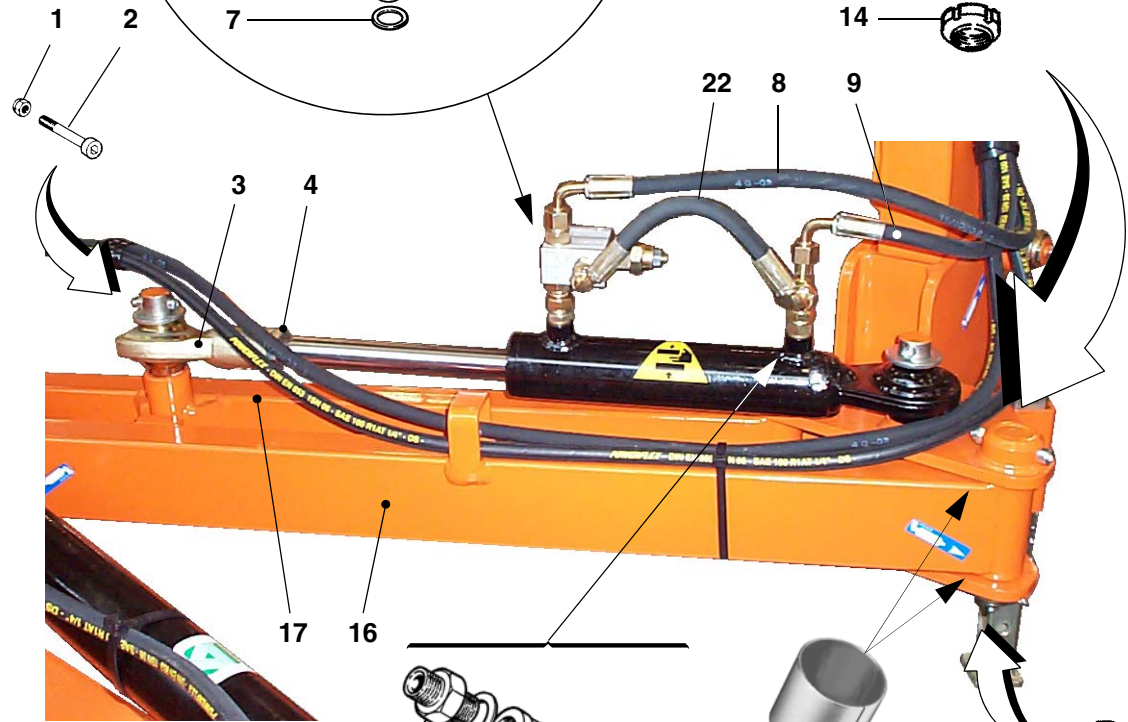
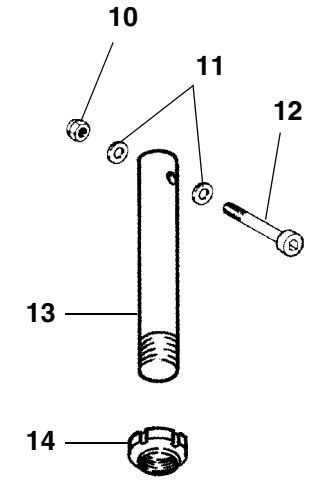
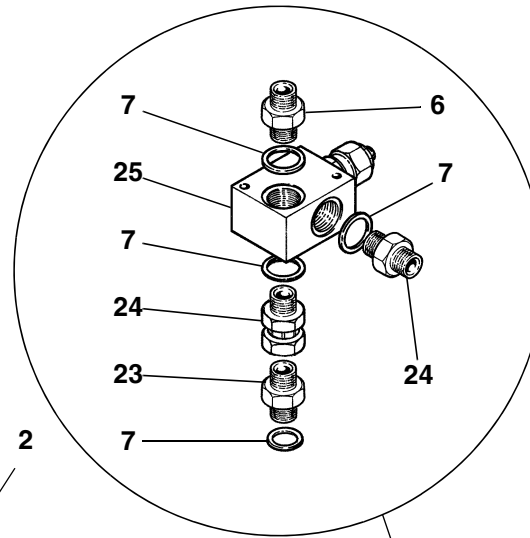
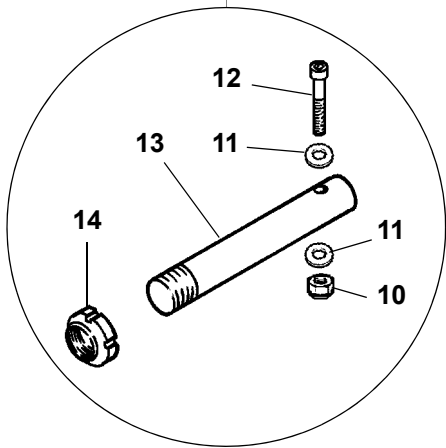
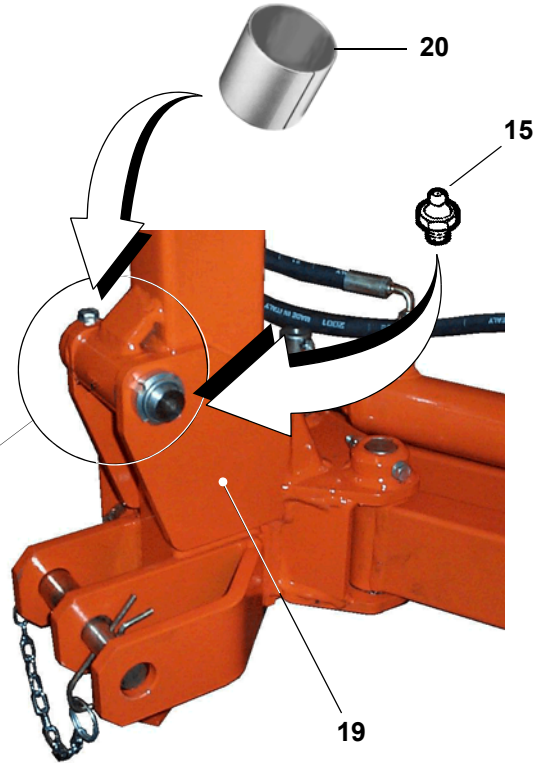
# TAV. 1051/1

| RIF. | CODICE  | DESCRIZIONE     | N. |
|------|---------|-----------------|----|
| 1    | 3008992 | XZL - XZL S 110 | 1  |
|      | 3007365 | XZL - XZL S 130 | 1  |
|      | 3007366 | XZL - XZL S 150 | 1  |
|      | 3007821 | XZL - XZL S 180 | 1  |
| 2    | 3001883 | XZL - XZL S 110 | 36 |
|      | 3001883 | XZL - XZL S 130 | 42 |
|      | 3001883 | XZL - XZL S 150 | 49 |
|      | 3001883 | XZL - XZL S 180 | 58 |
| 3    | 3001545 | XZL - XZL S 110 | 34 |
|      | 3001545 | XZL - XZL S 130 | 40 |
|      | 3001545 | XZL - XZL S 150 | 47 |
|      | 3001545 | XZL - XZL S 180 | 54 |
| 4    | 1559028 | ø4,5x45 UNI1336 | 1  |
| 5    | 3009941 | XZL 110         | 1  |
|      | 3014706 | XZL 110 S       | 1  |
|      | 3010067 | XZL 110 (50 HP) | 1  |
|      | 3009940 | XZL 130         | 1  |
|      | 3014707 | XZL 130 S       | 1  |
|      | 3010068 | XZL 130 (50 HP) | 1  |
|      | 3009939 | XZL 150         | 1  |
|      | 3014708 | XZL 150 S       | 1  |
|      | 3010069 | XZL 150 (50 HP) | 1  |
|      | 3009667 | XZL 180         | 1  |
|      | 3013429 | XZL 180 S       | 1  |
|      | 3010070 | XZL 180 (50 HP) | 1  |
| 6    | 0002115 | ø4              | 3  |

| RIF. | CODICE  | DESCRIZIONE     | N. |
|------|---------|-----------------|----|
| 7    | 1120000 | ø20 UNI6592     | 1  |
| 8    | 3000090 |                 | 1  |
| 9    | 3007226 |                 | 1  |
| 10   | 0002116 | ø5              | 2  |
| 11   | 0002300 | 1/2"-1/4"       | 4  |
| 12   | 0002006 | 1/2"            | 4  |
| 13   | 0002701 | 1/2"            | 4  |
| 14   | 0002702 | 1/2"            | 4  |
| 15   | 0001715 | OR 4093-131     | 4  |
| 16   | 1021518 | M18x1,5 UNI5589 | 4  |
| 17   | 3007370 |                 | 2  |
| 18   | 3000089 |                 | 2  |
| 19   | 3000579 |                 | 2  |
| 20   | 1110804 | M8x16 UNI5739   | 8  |
| 21   | 1508150 | ø8 UNI6798A     | 8  |
| 22   | 1309243 | ø8x24x3         | 8  |
| 23   | 3009650 |                 | 1  |
| 24   | 1111026 | M10x70 UNI5739  | 1  |
| 25   | 1110000 | ø10             | 4  |
| 26   | 1012410 | M12 UNI7474     | 1  |
| 27   | 3015250 |                 | 2  |
| 28   | 1310303 | 10x30x3         | 8  |
| 29   | 1012410 | M10 UNI7474     | 6  |
| 30   | 1012416 | M16 UNI7474     | 8  |
| 31   | 1116000 | ø16             | 8  |
| 32   | 3013433 | XZL-XZL S       | 1  |

| RIF. | CODICE  | DESCRIZIONE     | N. |
|------|---------|-----------------|----|
| 33   | 1012516 | M16 UNI5588     | 4  |
| 34   | 3001120 | ø16,5x35x5      | 8  |
| 35   | 1111638 | M16x100 UNI5739 | 4  |
| 36   | 3007322 |                 | 1  |
| 37   | 1111010 | M10x30 UNI5739  | 6  |
| 38   | 3009670 |                 | 1  |
| 39   | 1101622 | M16x60 UNI5737  | 2  |
| 40   | 1012416 | M16 UNI7474     | 2  |
| 41   | 3010066 | XZL (50 HP)     | 1  |

# TAV. 1052





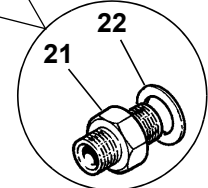
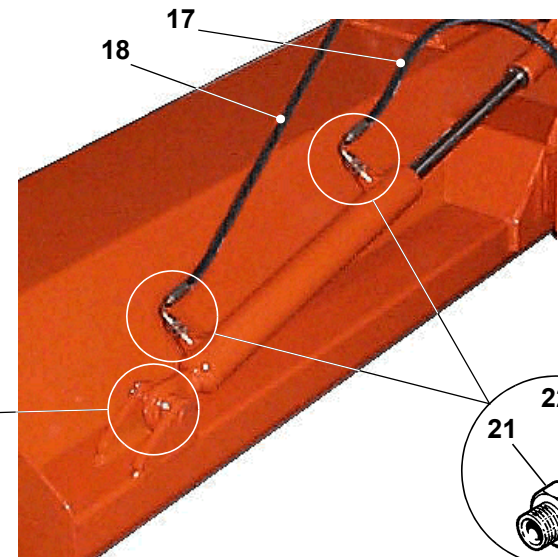
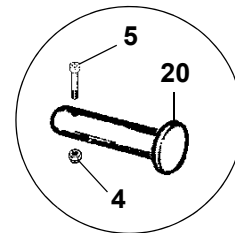
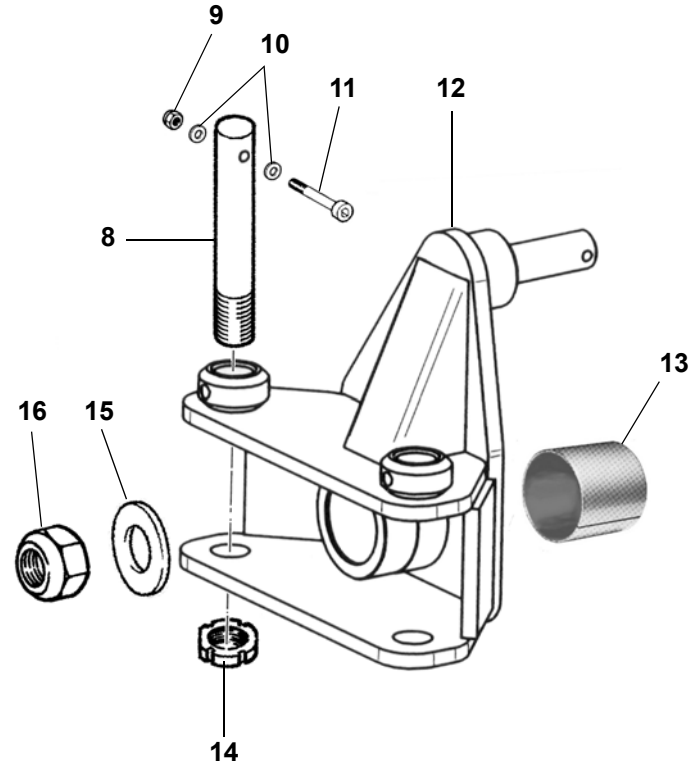
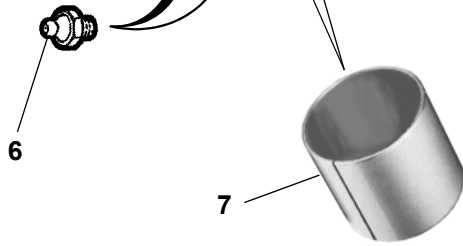
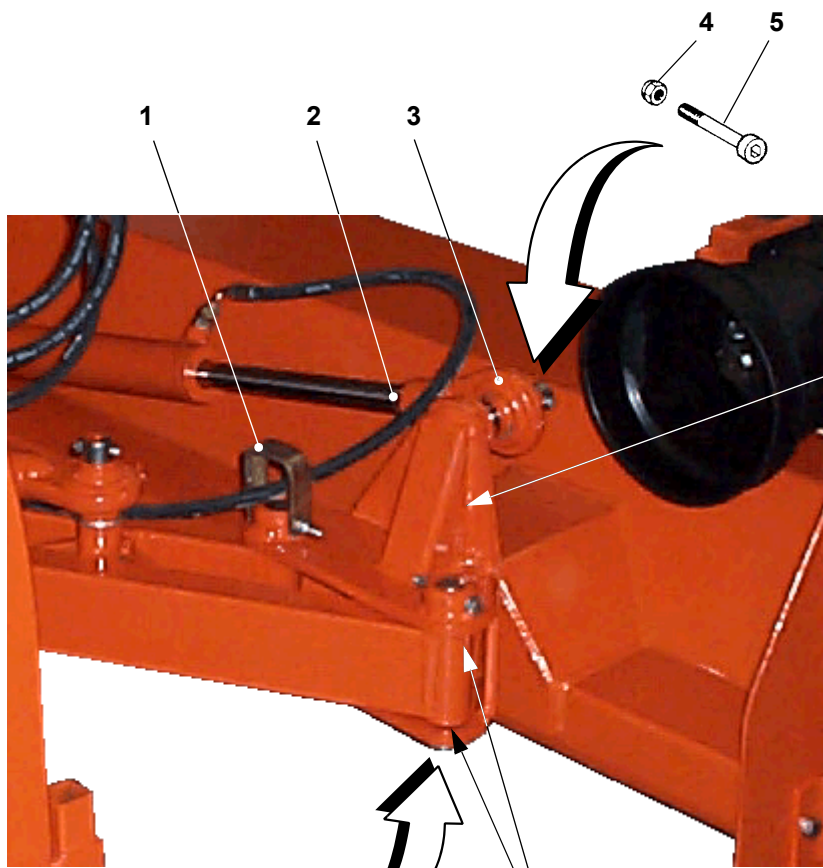
# TAV. 1052

| RIF. | CODICE  | DESCRIZIONE                 | N. |
|------|---------|-----------------------------|----|
| 1    | 1012406 | M6 UNI7474                  | 2  |
| 2    | 1120612 | M6x35 UNI5931               | 2  |
| 3    | 3005451 |                             | 1  |
| 4    | 1021522 | M22 UNI5589                 | 1  |
| 6    | 3005142 | 1/4"                        | 2  |
| 7    | 0002025 | 1/4"                        | 8  |
| 8    | 0003888 | R1T 1/4"                    | 1  |
| 9    | 0004003 | R1T 1/4"                    | 1  |
| 10   | 1012408 | M8 UNI7474                  | 3  |
| 11   | 1108000 | ø8 UNI6592                  | 6  |
| 12   | 1120820 | M8x55 UNI5931               | 3  |
| 13   | 3005623 |                             | 3  |
| 14   | 1036625 | M25x1,5                     | 3  |
| 15   | 0002654 | M10x1                       | 3  |
| 16   | 3007220 | XL - XL S - XZL - XZL S     | 1  |
|      | 3011419 | MICRO                       | 1  |
| 17   | 3007273 | XL - XL S - XZL - XZL S     | 1  |
|      | 3011418 | MICRO                       | 1  |
| 18   | 0001490 | KU 25x28x30                 | 4  |
| 19   | 3007231 | XL - XL S - XZL - XZL S     | 1  |
|      | 3011416 | MICRO                       | 1  |
| 20   | 0001479 | KU 25x28x25                 | 2  |
| 21   | 0002406 | 1/4" XL-XL S-XZL-XZL S      | 1  |
| 22   | 0004019 | 1/4" XL-XL S-XZL-XZL S      | 1  |
| 23   | 0002413 | 1/4" XL-XL S-XZL-XZL S      | 2  |
| 24   | 0002302 | 1/4"-1/4" XL-XL S-XZL-XZL S | 4  |
| 25   | 0004130 | 1/4" XL-XL S-XZL-XZL S      | 1  |

| RIF. | CODICE | DESCRIZIONE | N. |
|------|--------|-------------|----|
|      |        |             |    |

| RIF. | CODICE | DESCRIZIONE | N. |
|------|--------|-------------|----|
|      |        |             |    |

# TAV. 1053



# TAV. 1053

| RIF. | CODICE  | DESCRIZIONE             | N. |
|------|---------|-------------------------|----|
| 1    | 3005259 | XL - XL S - XZL - XZL S | 1  |
| 2    | 1021522 | M22 UNI5589             | 1  |
| 3    | 3005451 |                         | 1  |
| 4    | 1012406 | M6 UNI7474              | 2  |
| 5    | 1120612 | M6x35 UNI5931           | 2  |
| 6    | 0002654 | M10x1                   | 2  |
| 7    | 0001490 | KU 25x28x30             | 4  |
| 8    | 3005623 |                         | 2  |
| 9    | 1012408 | M8 UNI7474              | 2  |
| 10   | 1108000 | ø8 UNI6592              | 4  |
| 11   | 1120820 | M8x55 UNI5931           | 2  |
| 12   | 3007224 |                         | 1  |
| 13   | 0001511 | KU 50x55x60             | 1  |
| 14   | 1036625 | M25x1,5                 | 2  |
| 15   | 3007434 |                         | 1  |
| 16   | 1022430 | M30x2                   | 1  |
| 17   | 0004004 | XL - XL S - XZL - XZL S | 1  |
|      | 0003858 | MICRO                   | 1  |
| 18   | 0004005 | XL - XL S - XZL - XZL S | 1  |
|      | 0005818 | MICRO                   | 1  |
| 20   | 3007343 |                         | 1  |
| 21   | 3005142 | 1/4"                    | 2  |
| 22   | 0002025 | 1/4"                    | 2  |

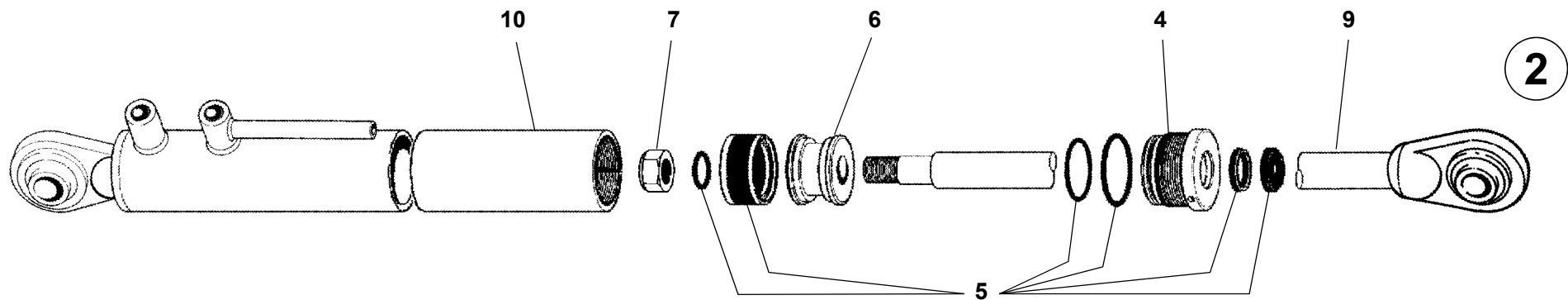
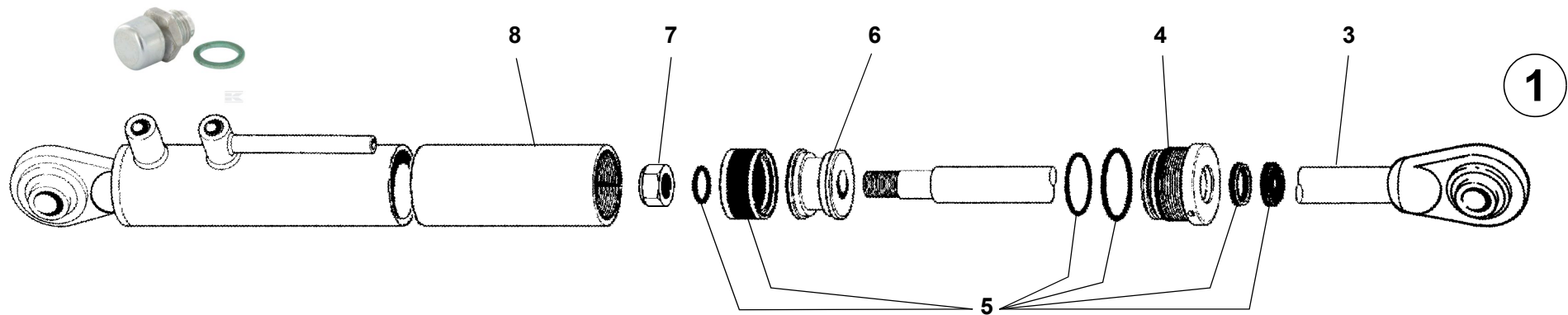
| RIF. | CODICE | DESCRIZIONE | N. |
|------|--------|-------------|----|
|------|--------|-------------|----|

| RIF. | CODICE | DESCRIZIONE | N. |
|------|--------|-------------|----|
|------|--------|-------------|----|

# TAV. 1054



Kantel cilinder enkelwerkend. Belucher OF04



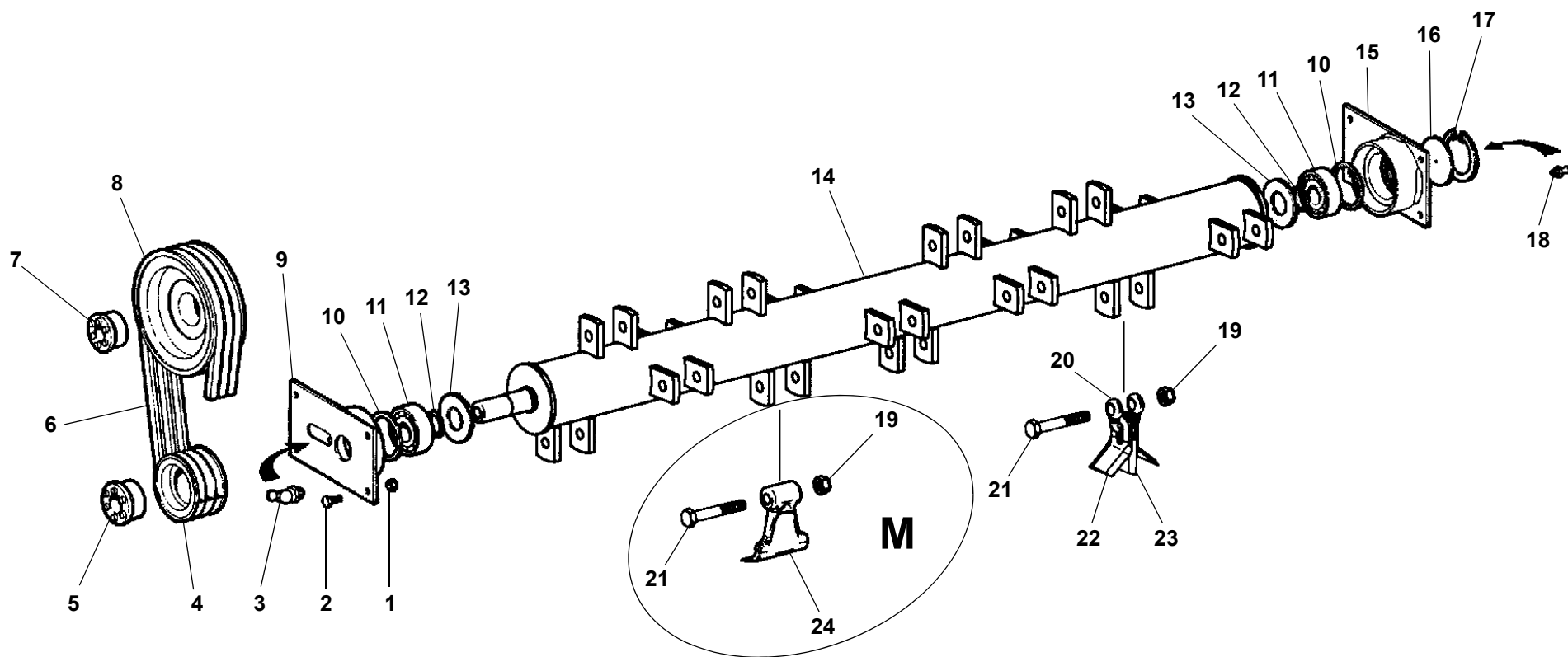
# TAV. 1054

| RIF. | CODICE  | DESCRIZIONE   | N. |
|------|---------|---|----|
| 1    | 3009935 | XL-XL S-MICRO 110                                     | 1  |
|      | 3007277 | XL-XL S 130/180<br>XZL-XZL S110/180<br>MICRO 130/150  | 1  |
| 2    | 3007276 | XL-XL S 110/180<br>MICRO 110/180                      | 1  |
|      | 3009488 | XZL-XZL S 110/180                                     | 1  |
| 3    | 3009934 | XL-XL S-MICRO 110                                     | 1  |
|      | 3007439 | XL-XL S 130/180<br>XZL-XZL S 110/180<br>MICRO 130/150 | 1  |
| 4    | 3007440 |   | 1  |
| 5    | 0001843 |   | 1  |
| 6    | 3007441 |   | 1  |
| 7    | 1022416 | M16x2   | 1  |
| 8    | 3009933 | XL-XL S-MICRO 110                                     | 1  |
|      | 3007442 | XL-XL S 130/180<br>XZL-XZL S 110/180<br>MICRO 130/150 | 1  |
| 9    | 3007443 |   | 1  |
| 10   | 3007444 |   | 1  |

| RIF. | CODICE | DESCRIZIONE | N. |
|------|--------|-------------|----|
|------|--------|-------------|----|

| RIF. | CODICE | DESCRIZIONE | N. |
|------|--------|-------------|----|
|------|--------|-------------|----|

# TAV. 1055



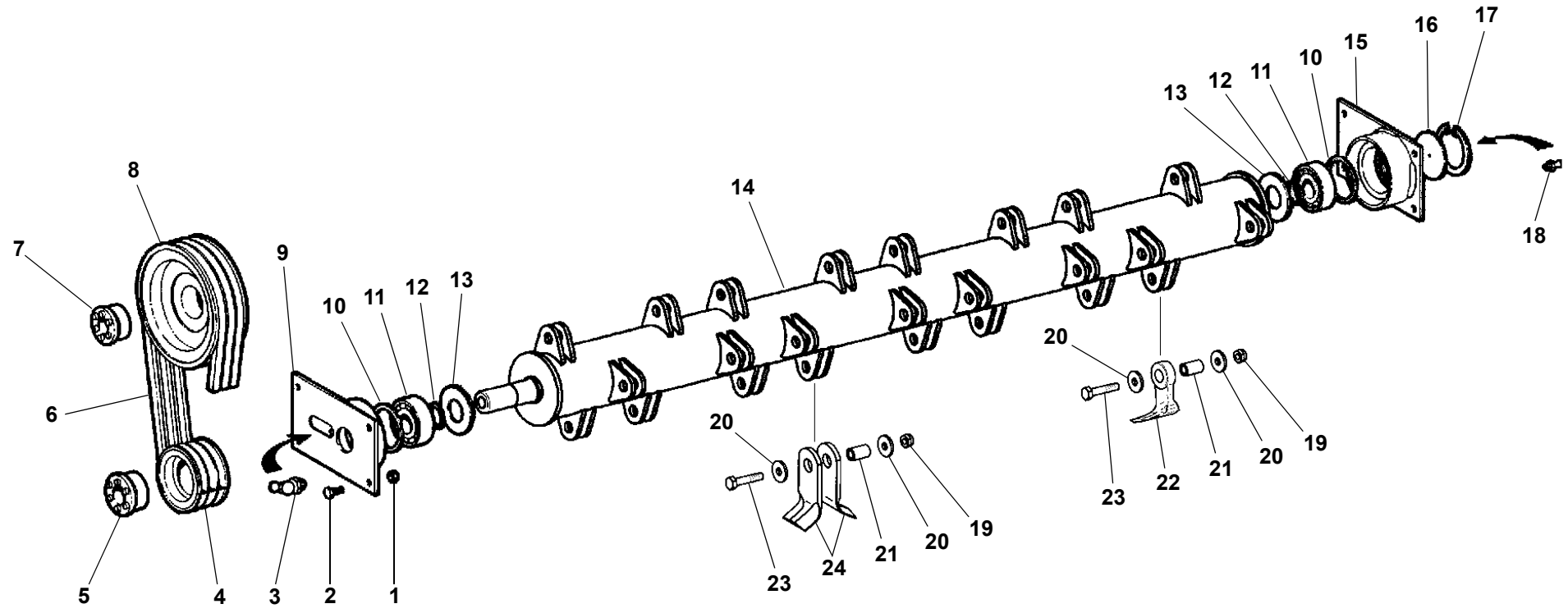
# TAV.1055

| RIF. | CODICE  | DESCRIZIONE  | N. |
|------|---------|--|----|
| 1    | 1012410 | M10 UNI7474  | 8  |
| 2    | 1111006 | M10x20 UNI5739   | 8  |
| 3    | 0002661 | M10x1x90°  | 1  |
| 4    | 3000851 | SPA 100x2 XL-XL S 110  | 1  |
|      | 3000852 | SPA 100x3 XL-XL S 130/180<br>XZL-XZL S 130 /180<br>XZL 110/150 (50 HP) | 1  |
|      | 3005565 | SPA 112x3<br>XL-XL S-XZL-XZL S 180 "M"                                 | 1  |
|      | 3007298 | SPA 100x4 XZL 180 (50 HP)  | 1  |
| 5    | 0001034 | 30x55  | 1  |
| 6    | 0001036 | SPA-X 1032 XL-XL S 110   | 2  |
|      | 0001036 | SPA-X 1032<br>XL-XL S-XZL-XZL S 110/180                                | 3  |
|      | 0001036 | SPA-X 1032 XZL 180 (50 HP)   | 4  |
| 7    | 0001305 | 25x50  | 1  |
|      | 0001342 | 35x65 XZL 110/180 (50 HP)  | 1  |
|      | 0001333 | 35x80 XZL 130/150 (50 HP)  | 1  |
| 8    | 3001001 | SPA 180x2 XL-XL S 110  | 1  |
|      | 3001002 | SPA 180x3<br>XL-XL S-XZL-XZL S 110/180                                 | 1  |
|      | 3001693 | SPA 180x3 XZL 110 (50 HP)  | 1  |
|      | 3011704 | SPA 180x3 XZL130-150 (50 HP)   | 1  |
|      | 3012735 | SBA 180x4 XZL 180 (50 HP)  | 1  |
| 9    | 3000979 | Sx XL-XL S-XZL-XZL S 110/150   | 1  |
|      | 3012989 | Sx XL-XL S-XZL-XZL S 180   | 1  |
| 10   | 3000640 |  | 2  |
| 11   | 0001421 | 1306   | 2  |

| RIF. | CODICE  | DESCRIZIONE                              | N. |
|------|---------|--|----|
| 12   | 3000649 | 30,5x42x0,5                              | 4  |
| 13   | 3000648 |  | 2  |
| 14   | 3009731 | XL-XL S-XZL-XZL S 110                    | 1  |
|      | 3007253 | XL-XL S-XZL-XZL S 130                    | 1  |
|      | 3007327 | XL-XL S-XZL-XZL S 150                    | 1  |
|      | 3012987 | XL-XL S-XZL-XZL S180                     | 1  |
| 15   | 3000978 | Dx XL-XL S-XZL-XZL S 110/150             | 1  |
|      | 3012988 | Dx XL-XL S-XZL-XZL S 180                 | 1  |
| 16   | 3000990 |  | 1  |
| 17   | 1020072 | Seeger I 72 UNI7437                      | 1  |
| 18   | 0002659 | M6                                       | 1  |
| 19   | 1012414 | M14 UNI7474                              | 16 |
|      | 1012414 | M14 UNI7474                              | 24 |
| 20   | 3005676 | XL-XL S-XZL-XZL S 110-130                | 16 |
|      | 3005676 | XL-XL S-XZL-XZL S150-180                 | 24 |
| 21   | 3006825 | M14x90 12.9<br>XL-XL S-XZL-XZL S 110-130 | 16 |
|      | 3006825 | M14x90 12.9<br>XL-XL S-XZL-XZL S 150-180 | 24 |
| 22   | 3005674 | XL-XL S-XZL-XZL S 110-130                | 32 |
|      | 3005674 | XL-XL S-XZL-XZL S 150-180                | 48 |
| 23   | 3005675 | XL-XL S-XZL-XZL S 110-130                | 16 |
|      | 3005675 | XL-XL S-XZL-XZL S 150-180                | 24 |
| 24   | 3009799 | XL-XL S-XZL-XZL S 110-130                | 16 |
|      | 3009799 | XL-XL S-XZL-XZL S 150-180                | 24 |

| RIF. | CODICE | DESCRIZIONE | N. |
|------|--------|-------------|----|
|      |        |             |    |

TAV. 1055/1



**MICRO**



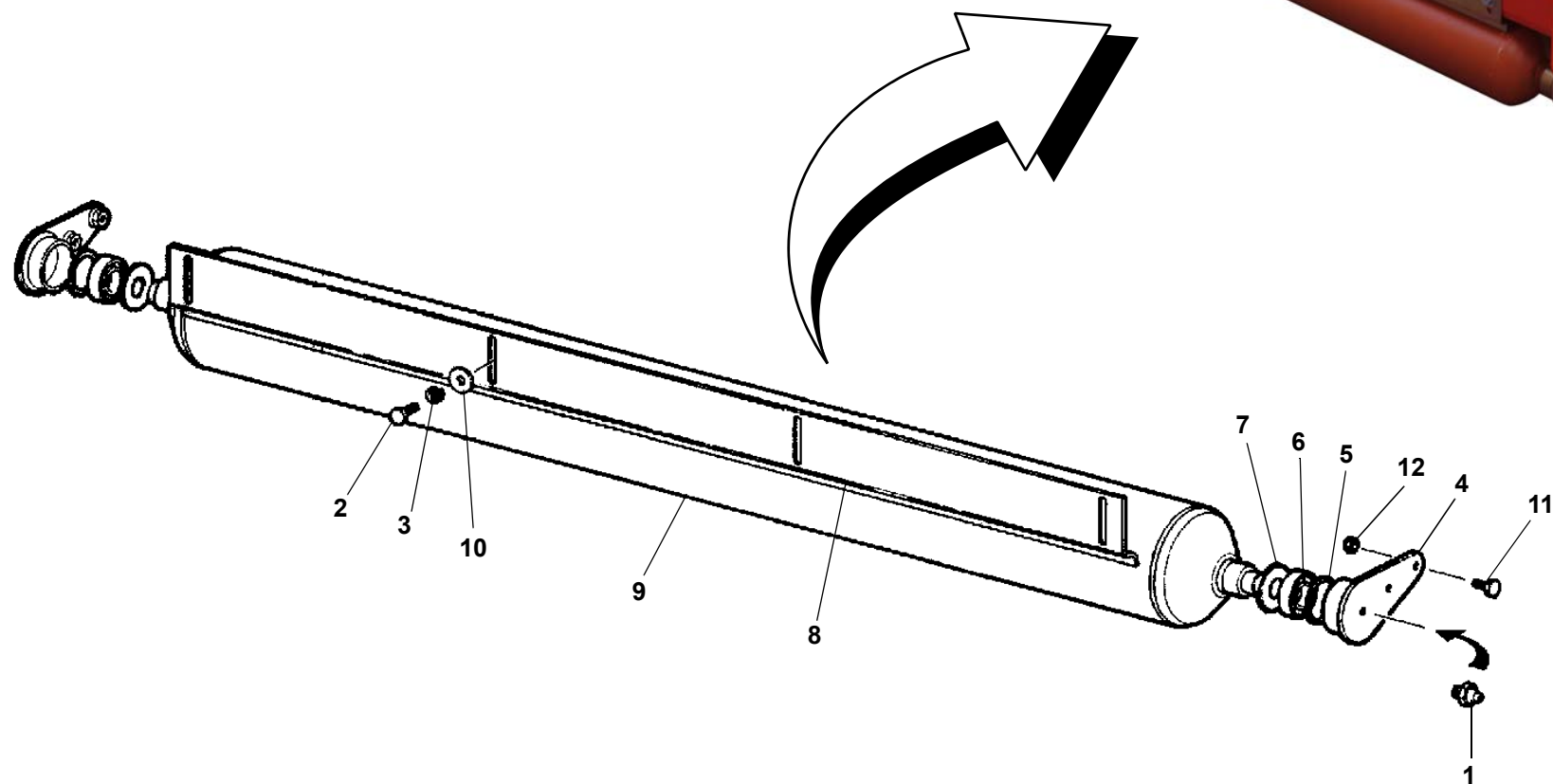
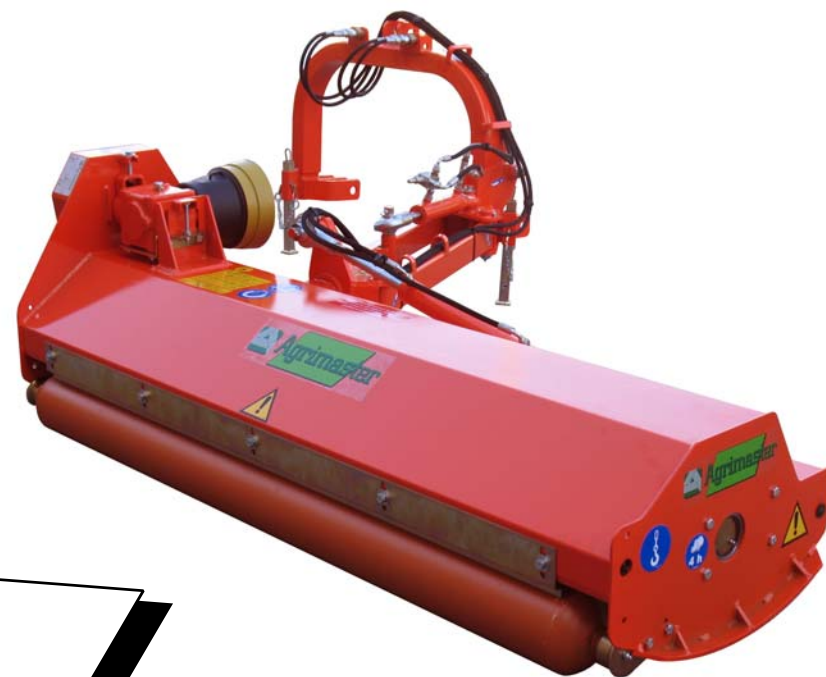
# TAV. 1055/1

| RIF. | CODICE  | DESCRIZIONE          | N. |
|------|---------|----------------------|----|
| 1    | 1012410 | M10 UNI7474          | 8  |
| 2    | 1111006 | M10x20 UNI5739       | 8  |
| 3    | 0002661 | M10x1x90°            | 1  |
| 4    | 3000713 | SPA 90x3             | 1  |
| 5    | 0001304 | 30x55                | 1  |
| 6    | 0001007 | SPA-X 1000           | 3  |
| 7    | 0001305 | 25x50                | 1  |
| 8    | 3001002 | SPA 180x3            | 1  |
| 9    | 3000979 | Sx                   | 1  |
| 10   | 3000640 |                      | 2  |
| 11   | 0001421 | 1306                 | 2  |
| 12   | 3000649 | 30,5x42x0,5          | 4  |
| 13   | 3000648 |                      | 2  |
| 14   | 3005364 | MICRO 110            | 1  |
|      | 3011457 | MICRO 130            | 1  |
|      | 3011458 | MICRO 150            | 1  |
| 15   | 3000978 | Dx                   | 1  |
| 16   | 3000990 |                      | 1  |
| 17   | 1020072 | Seeger I 72 UNI7437  | 1  |
| 18   | 0002659 | M6                   | 1  |
| 19   | 1012408 | M8 UNI7474 MICRO 110 | 28 |
|      | 1012408 | M8 UNI7474 MICRO 130 | 32 |
|      | 1012408 | M8 UNI7474 MICRO 150 | 40 |
| 20   | 1309243 | ø8x24x3 MICRO 110    | 56 |
|      | 1309243 | ø8x24x3 MICRO 130    | 64 |
|      | 1309243 | ø8x24x3 MICRO 150    | 80 |

| RIF. | CODICE  | DESCRIZIONE             | N. |
|------|---------|-------------------------|----|
| 21   | 3000988 | MICRO 110               | 28 |
|      | 3000988 | MICRO 130               | 32 |
|      | 3000988 | MICRO 150               | 40 |
| 22   | 3011413 | MICRO 110               | 28 |
|      | 3011413 | MICRO 130               | 32 |
|      | 3011413 | MICRO 150               | 40 |
| 23   | 1100816 | M8x45 UNI5737 MICRO 110 | 28 |
|      | 1100816 | M8x45 UNI5737 MICRO 130 | 32 |
|      | 1100816 | M8x45 UNI5737 MICRO 150 | 40 |
| 24   | 3000993 | MICRO 110               | 56 |
|      | 3000993 | MICRO 130               | 64 |
|      | 3000993 | MICRO 150               | 80 |

| RIF. | CODICE | DESCRIZIONE | N. |
|------|--------|-------------|----|
|------|--------|-------------|----|

TAV. 1056



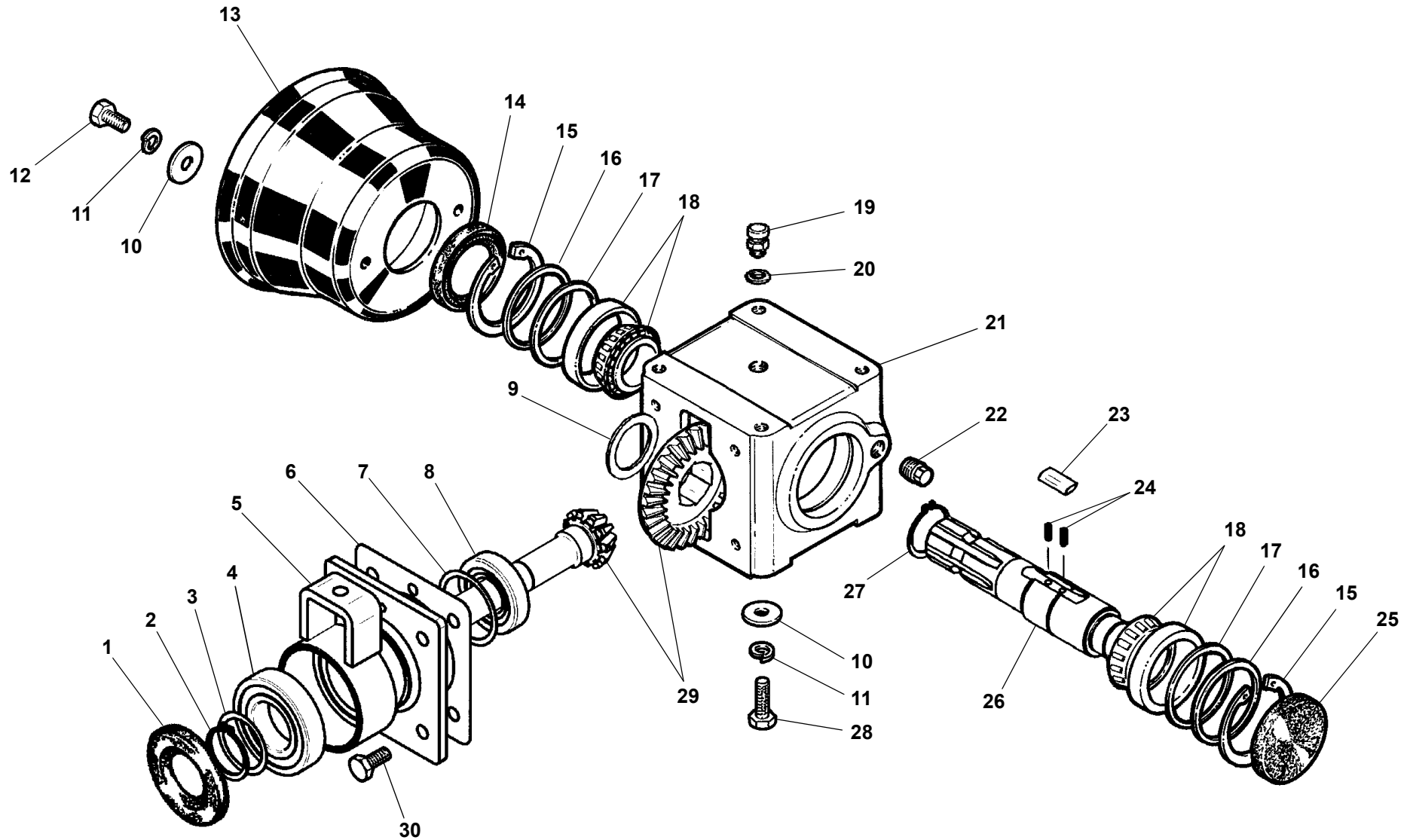
# TAV. 1056

| RIF. | CODICE  | DESCRIZIONE   | N. |
|------|---------|---|----|
| 1    | 0002654 | M10x1   | 2  |
| 2    | 1111006 | M10x20 UNI5739 MICRO<br>XL-XL S-XZL-XZL S 110-130-150 | 4  |
|      | 1111006 | M10x20 UNI5739<br>XL-XL S-XZL-XZL S 180               | 5  |
| 3    | 1210000 | ø10 UNI1751 MICRO<br>XL-XL S-XZL-XZL S 110-130-150    | 4  |
|      | 1210000 | ø10 UNI1751<br>XL-XL S-XZL-XZL S 180                  | 5  |
| 4    | 3002717 |   | 2  |
| 5    | 3000180 | 45x51,5x1,5   | 2  |
| 6    | 0001411 | 6205-2RS  | 2  |
| 7    | 3000486 |   | 2  |
| 8    | 3005363 | MICRO-XL-XL S-XZL-XZL S 110                           | 1  |
|      | 3002736 | MICRO-XL-XL S-XZL-XZL S 130                           | 1  |
|      | 3002703 | MICRO-XL-XL S-XZL-XZL S 150                           | 1  |
|      | 3007785 | XL-XL S-XZL-XZL S 180                                 | 1  |
| 9    | 3005365 | MICRO-XL-XL S-XZL-XZL S 110                           | 1  |
|      | 3000429 | MICRO-XL-XL S-XZL-XZL S 130                           | 1  |
|      | 3002715 | MICRO-XL-XL S-XZL-XZL S 150                           | 1  |
|      | 3007784 | XL-XL S-XZL-XZL S 180                                 | 1  |
| 10   | 1310303 | ø10 UNI6593 MICRO<br>XL-XL S-XZL-XZL S 110-130-150    | 4  |
|      | 1310303 | ø10 UNI6593<br>XL-XL S-XZL-XZL S 180                  | 5  |
| 11   | 1111010 | M10x30 UNI5739  | 4  |
| 12   | 1012410 | M10 UNI7474   | 4  |

| RIF. | CODICE | DESCRIZIONE | N. |
|------|--------|-------------|----|
|      |        |             |    |

| RIF. | CODICE | DESCRIZIONE | N. |
|------|--------|-------------|----|
|      |        |             |    |

# TAV. 1057



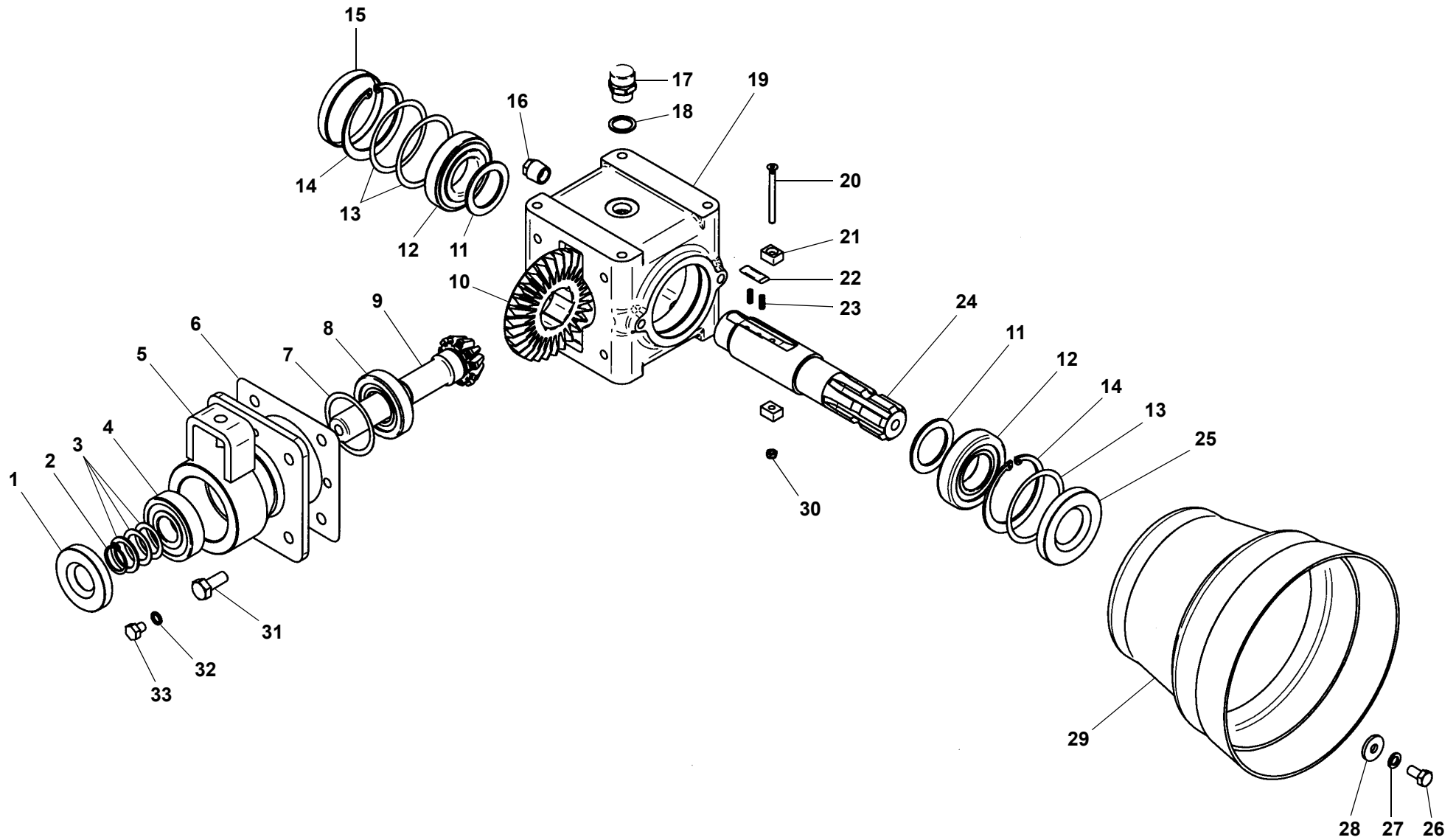
# TAV. 1057

| RIF. | CODICE  | DESCRIZIONE         | N. |
|------|---------|---------------------|----|
| 1    | 0001841 | 25x62x10            | 1  |
| 2    | 1010025 | Seeger E 25 UNI7435 | 1  |
| 3    | 3002775 | 25,5x34,5x0,5       | —  |
|      | 3002776 | 25,5x34,5x0,8       | —  |
|      | 3001175 | 25,5x34,5x2         | —  |
| 4    | 0001592 | 21305               | 1  |
| 5    | 3007656 |                     | 1  |
| 6    | 3002674 |                     | —  |
| 7    | 3004488 | 51,5x61,5x0,35      | —  |
|      | 3002336 | 51,5x61x0,5         | —  |
| 8    | 0001403 | 30206               | 1  |
| 9    | 0001504 | 37x52x3,5           | 1  |
| 10   | 1310303 | ∅10x30x3 UNI6593    | 6  |
| 11   | 1210000 | ∅10 UNI1751         | 6  |
| 12   | 1111006 | M10x20 UNI5739      | 2  |
| 13   | 0003423 |                     | 1  |
| 14   | 0001805 | 35x72x10            | 1  |
| 15   | 1020072 | Seeger I 72 UNI7437 | 2  |
| 16   | 3001823 | 61x71,5x0,25        | —  |
| 17   | 3001507 | 61x71,5x0,5         | —  |
| 18   | 0001413 | 30207               | 2  |
| 19   | 0002679 | M18x1,5             | 1  |
| 20   | 0002024 | ∅18x24x1,5          | 1  |
| 21   | 3002667 |                     | 1  |
| 22   | 0002663 | M18x1,5             | 1  |
| 23   | 3006961 |                     | 2  |

| RIF. | CODICE  | DESCRIZIONE         | N. |
|------|---------|---------------------|----|
| 24   | 0006142 |                     | 4  |
| 25   | 0003737 | 72x10               | 1  |
| 26   | 3007079 |                     | 1  |
| 27   | 1010040 | Seeger E 40 UNI7435 | 1  |
| 28   | 1111010 | M10x30 UNI5739      | 4  |
| 29   | 3007851 |                     | 1  |
| 30   | 1111008 | M10x25 UNI5739      | 4  |
| 31   | 3007635 |                     | 1  |

| RIF. | CODICE | DESCRIZIONE | N. |
|------|--------|-------------|----|
|      |        |             |    |

TAV. 1057/1



34

XZL-XZL S

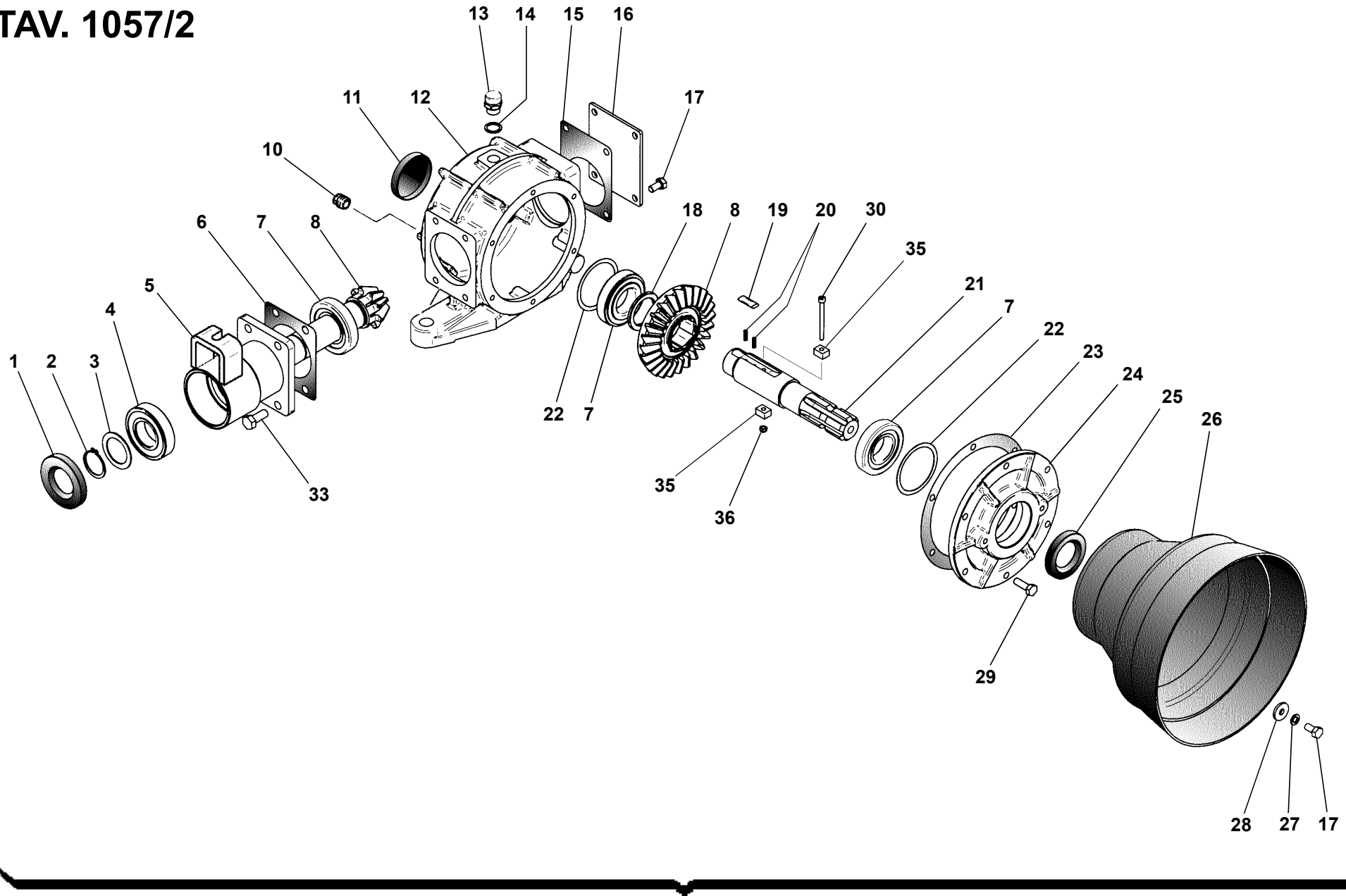
# TAV. 1057/1

| RIF. | CODICE   | DESCRIZIONE         | N. |
|------|----------|---------------------|----|
| 1    | 0001841  | 25x62x10            | 1  |
| 2    | 1010025  | Seeger E 25 UNI7435 | 1  |
| 3    | 3002775  | 25,5x34,5x0,5       | —  |
|      | 3002776  | 25,5x34,5x0,8       | —  |
|      | 3001175  | 25,5x34,5x2         | —  |
| 4    | 0001592  | 21305               | 1  |
| 5    | 3007656  |                     | 1  |
| 6    | 3002674  |                     | —  |
| 7    | 3004488  | 51,5x61,5x0,35      | —  |
| 8    | 0001403  | 30206               | 1  |
| 9    | 3007653  |                     | 1  |
| 10   | 3009795  |                     | 1  |
| 11   | 0001504  | 37x52x3,5           | 2  |
| 12   | 0001413  | 30207               | 2  |
| 13   | 3001823  | 61x71,5x0,25        | —  |
|      | 3001507  | 61x71,5x0,5         | —  |
| 14   | 1020072  | Seeger I 72 UNI7437 | 2  |
| 15   | 0003737  | 72x10               | 1  |
| 16   | 0002663  | M18x1,5             | 1  |
| 17   | 0002679  | M18x1,5             | 1  |
| 18   | 0002024  | ø18x24x1,5          | 1  |
| 19   | 3002667  |                     | 1  |
| 20   | 11205182 | M5x50 UNI5931 12.9  | 1  |
| 21   | 3009283  |                     | 2  |
| 22   | 3006961  |                     | 2  |
| 23   | 0006142  |                     | 4  |

| RIF. | CODICE  | DESCRIZIONE      | N. |
|------|---------|------------------|----|
| 24   | 3008999 |                  | 1  |
| 25   | 0001805 | 35x72x10         | 1  |
| 26   | 1111006 | M10x20 UNI5739   | 2  |
| 27   | 1210000 | ø10 UNI1751      | 2  |
| 28   | 1310303 | ø10x30x3 UNI6593 | 2  |
| 29   | 0003423 |                  | 1  |
| 30   | 1012405 | M5 UNI7474       | 1  |
| 31   | 1111008 | M10x25 UNI5739   | 4  |
| 32   | 0002019 | ø8x12x1,5        | 2  |
| 33   | 1110802 | M8x10 UNI5739    | 2  |
| 34   | 3009791 |                  | 1  |

| RIF. | CODICE | DESCRIZIONE | N. |
|------|--------|-------------|----|
|------|--------|-------------|----|

TAV. 1057/2



34

50 HP



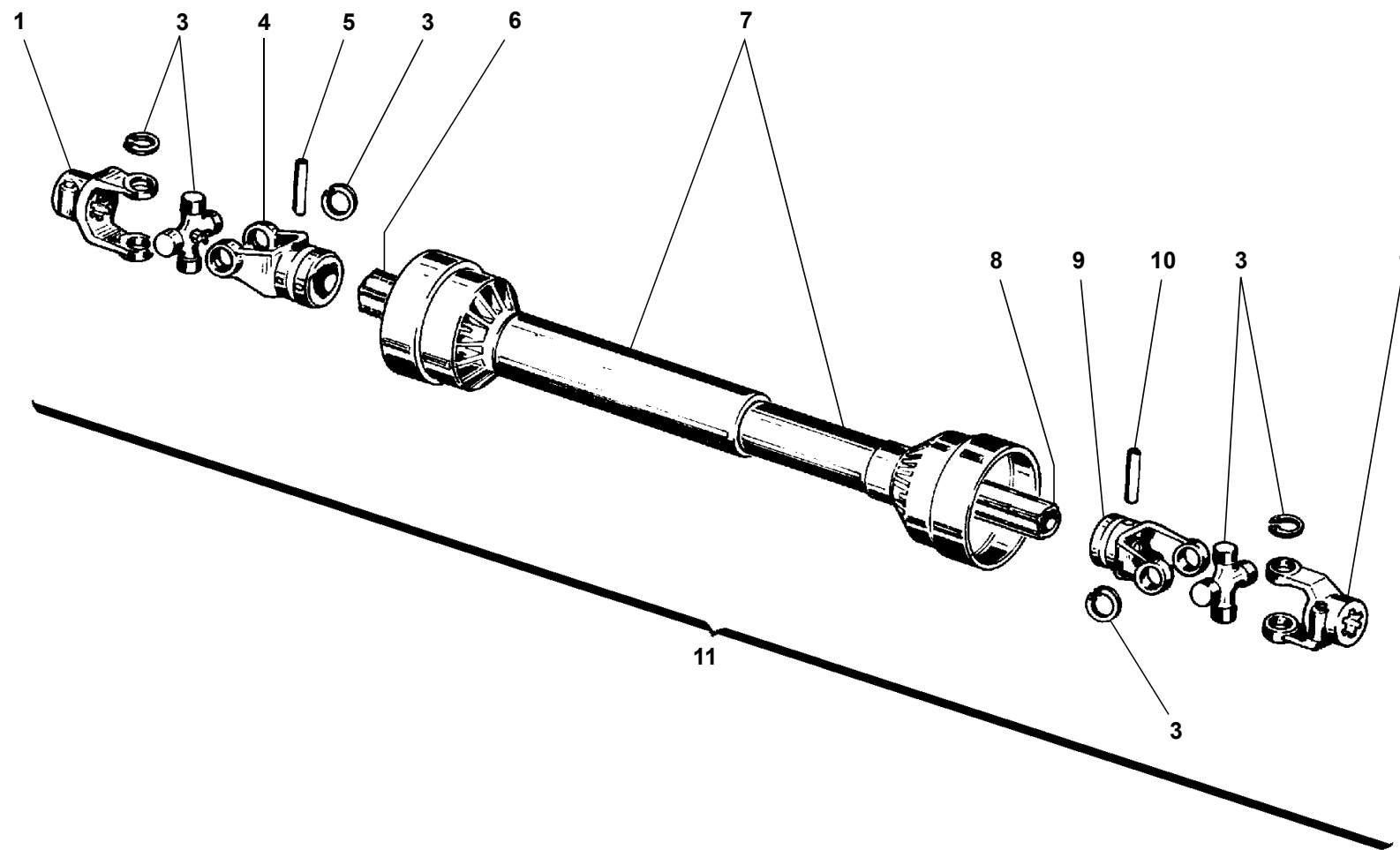
# TAV. 1057/2

| RIF. | CODICE  | DESCRIZIONE         | N. |
|------|---------|---------------------|----|
| 1    | 0001805 | 35x72x10            | 1  |
| 2    | 1010035 | Seeger E 35 UNI7435 | 1  |
| 3    | 3000527 | 36x50x0,25          | —  |
|      | 3004486 | 36x51x0,5           | —  |
|      | 3001506 | 36x50x1,5           | 1  |
| 4    | 0001452 | 6207                | 1  |
| 5    | 3010062 |                     | 1  |
| 6    | 3000408 |                     | —  |
| 7    | 0001413 | 30207               | 3  |
| 8    | 3010073 |                     | 1  |
| 10   | 0002663 | M18x1,5             | 2  |
| 11   | 0003739 | 62x10               | 1  |
| 12   | 3005176 |                     | 1  |
| 13   | 0002679 | M18x1,5             | 1  |
| 14   | 0002024 | 18x24x1,5           | 1  |
| 15   | 3000204 |                     | 1  |
| 16   | 3000095 |                     | 1  |
| 17   | 1110804 | M8x16 UNI5739       | 6  |
| 18   | 0001504 | 37x52x3,5           | 1  |
| 19   | 3006961 |                     | 2  |
| 20   | 0006142 |                     | 4  |
| 21   | 3008999 |                     | 1  |
| 22   | 3001823 | 61x71,5x0,25        | —  |
|      | 3001507 | 61x71,5x0,5         | —  |
| 23   | 3000407 |                     | —  |
| 24   | 3004135 |                     | 1  |

| RIF. | CODICE   | DESCRIZIONE        | N. |
|------|----------|--------------------|----|
| 25   | 0001806  | 35x62x10           | 1  |
| 26   | 0003411  |                    | 1  |
| 27   | 1208000  | ø8 UNI1751         | 2  |
| 28   | 1309243  | ø8 UNI6593         | 2  |
| 29   | 1110808  | M8x25 UNI5739      | 6  |
| 30   | 11205222 | M5x60 UNI5931 12.9 | 1  |
| 33   | 1111008  | M10x25 UNI5739     | 4  |
| 34   | 3010061  |                    | 1  |
| 35   | 3009283  |                    | 2  |
| 36   | 1012405  | M5 UNI7474         | 1  |

| RIF. | CODICE | DESCRIZIONE | N. |
|------|--------|-------------|----|
|      |        |             |    |

# TAV. 1058



# TAV. 1058

| RIF. | CODICE  | DESCRIZIONE | N. |
|------|---------|-------------|----|
| 1    | 0003122 |             | 2  |
| 3    | 0003125 |             | 2  |
| 4    | 0003126 |             | 1  |
| 5    | 0003215 |             | 1  |
| 6    | 0003271 |             | 1  |
| 7    | 0003441 |             | 1  |
| 8    | 0003272 |             | 1  |
| 9    | 0003127 |             | 1  |
| 10   | 0003219 |             | 1  |
| 11   | 0003177 |             | 1  |

| RIF. | CODICE | DESCRIZIONE | N. |
|------|--------|-------------|----|
|------|--------|-------------|----|

| RIF. | CODICE | DESCRIZIONE | N. |
|------|--------|-------------|----|
|------|--------|-------------|----|

