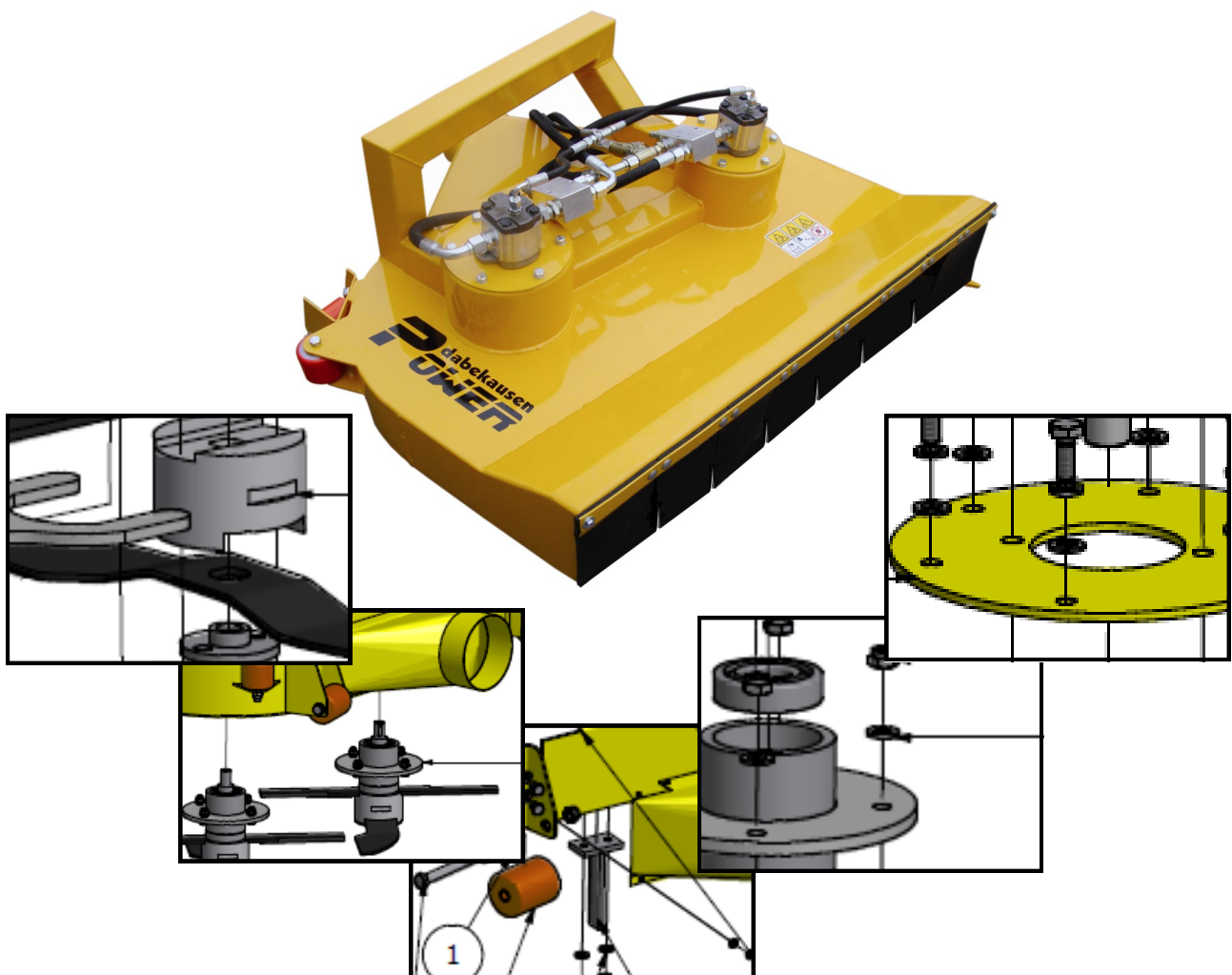


POWER RM1250pro

Onderdelenboek

Parts Manual



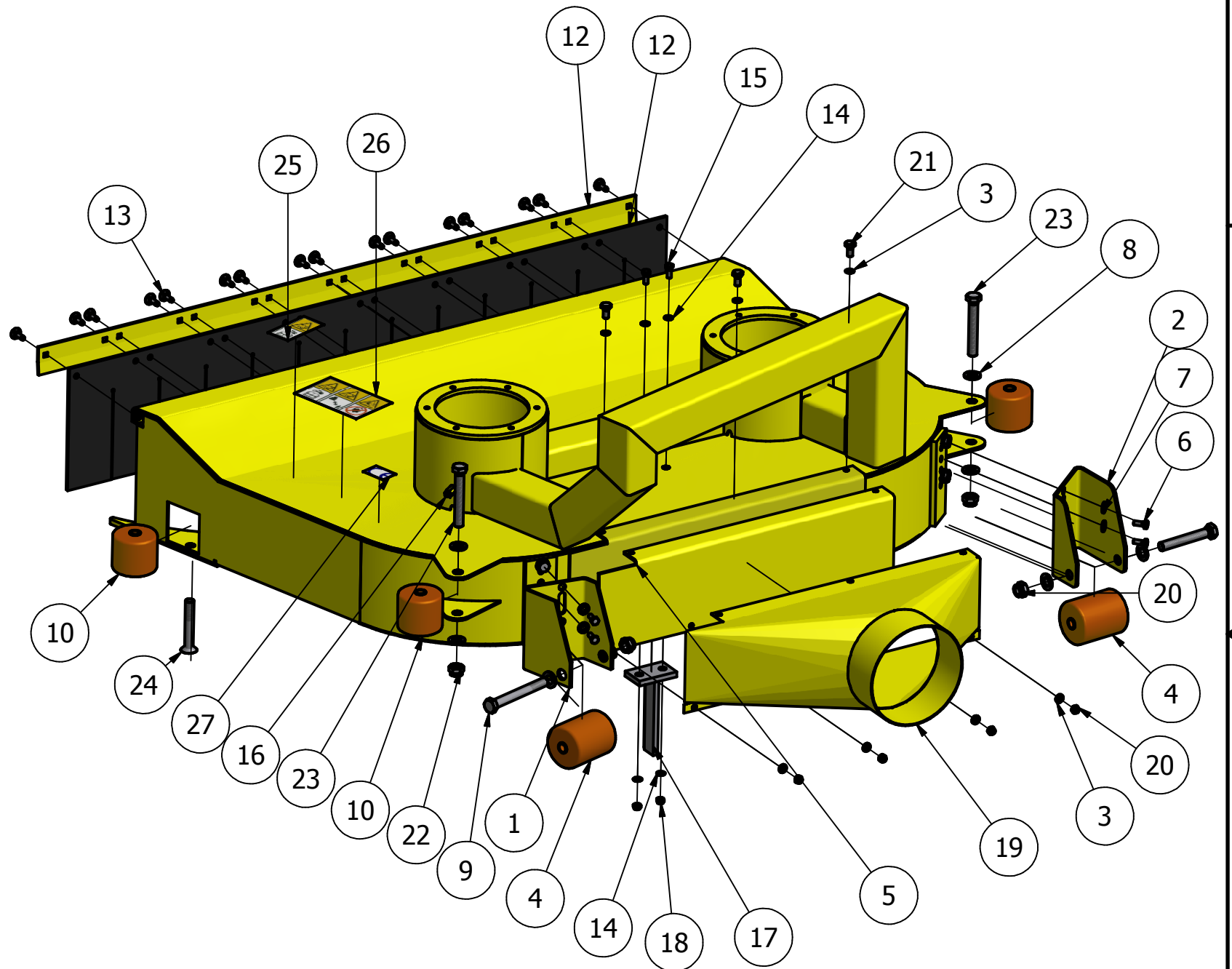
REVISION HISTORY			
REV	DESCRIPTION	DATE	APPROVED
2	ART. NR. 12 CHANGED	27-8-2014	VH


Optie:

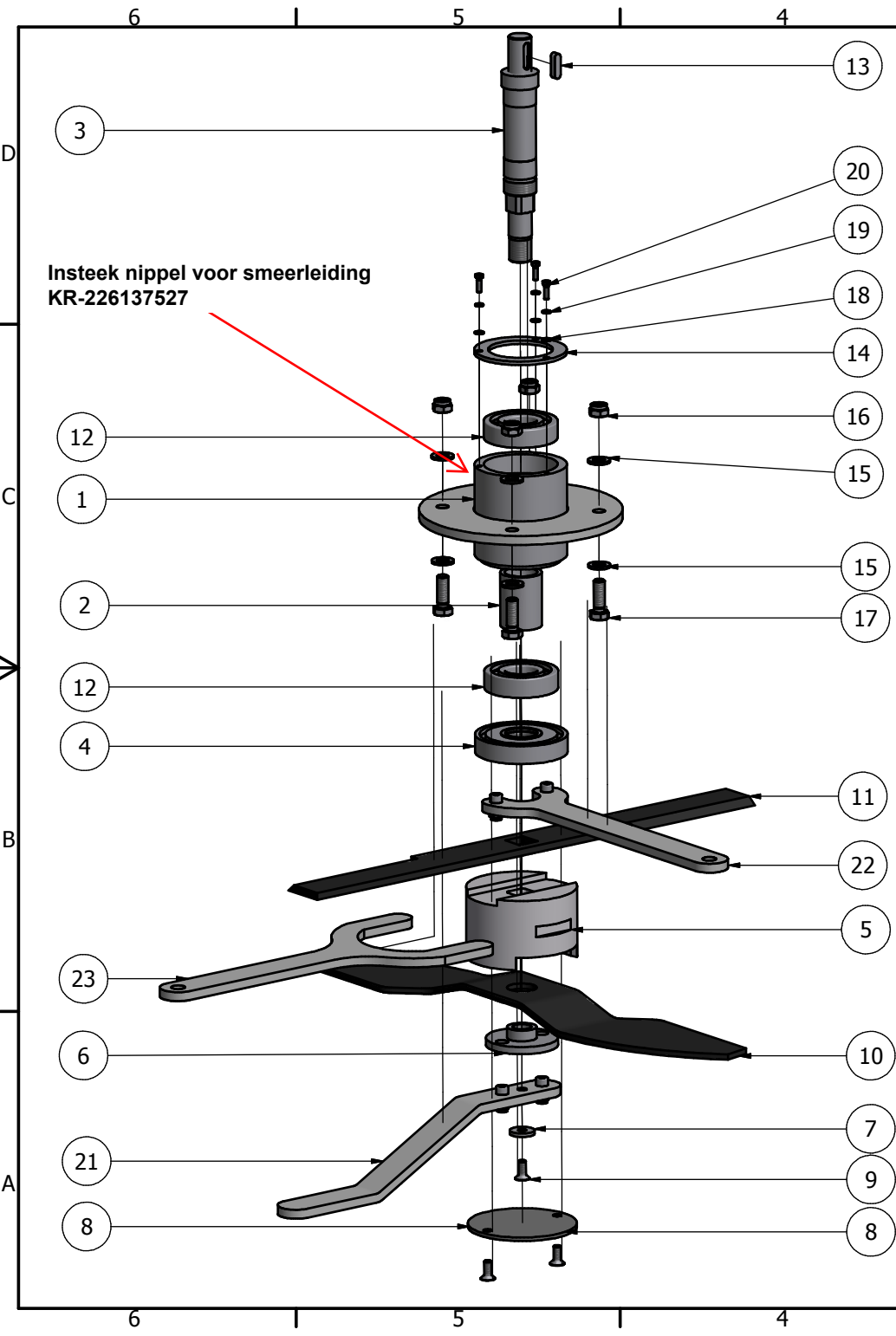
Volumeregelaar klein, tot 90 liter KR-VPR3 EP 10-001
 Volumeregelaar groot, tot 150 liter KR-VPR3 EP 20-001

PARTS LIST

ITEM	QTY	PART NUMBER	DESCRIPTION
1	1	59.0007.01	BRACKET SUPPORT ROLL
2	1	BBRR100	BRACKET SUPPORT ROLL 100 RIGHT
3	14	DIN 125 - A 8,4	Washer
4	2	59.0082.01	SUPPORT ROLL DIA 82 L100
5	1	59.0010.01	COVER
6	6	DIN 933 - M8 x 20	Hex-Head Bolt
7	4	DIN 125 - A 10,5	Washer
8	12	DIN 125 - A 17	Washer
9	2	DIN 931-1 - M16 x 140	Hex-Head Bolt
10	3	59.7501.01	SUPPORT ROLL DIA 82 L75MM
11	3	7991820 - M8 X 20	Countersunk Screw
12	2	59.1250.07	PROTECTION FLAP
13	16	DIN 603 - M8 x 25	Cup Head Square Neck Bolt
14	4	125A12	Washer
15	4	DIN 933 - M12 x 35	Hex-Head Bolt
16	2	DIN 71412 - AM8 x 1 coned short	Lubricating Nipple, coned Type A
17	1	59.0011.01	CONTRA KNIFE BLADE
18	25	DIN 985 - M12	Hex Nut
19	1	59.0012.01	SUCTION HEAD
20	6	DIN 985 - M8	Hex Nut
21	3	DIN 933 - M10 x 20	Hex-Head Bolt
22	4	DIN 985 - M8	Hex Nut
23	2	DIN 933 - M16 x 120	Hex-Head Bolt
24	1	DIN 7991 - M16x100	Countersunk Screw
25	1	09.821.29	WARNING STICKER 1
26	1	09.821.30	WARNING STICKER 2
27	1	59.0013.01	CE STICKER



Designed by J. v.d Broek	Checked by RB	Approved by DK	Date 24-1-2011	Date 24-1-2011
		SUB ASSEMBLY RM1250PRO		
		RM1250PRO-EV1	Edition 1	Sheet 1 / 1




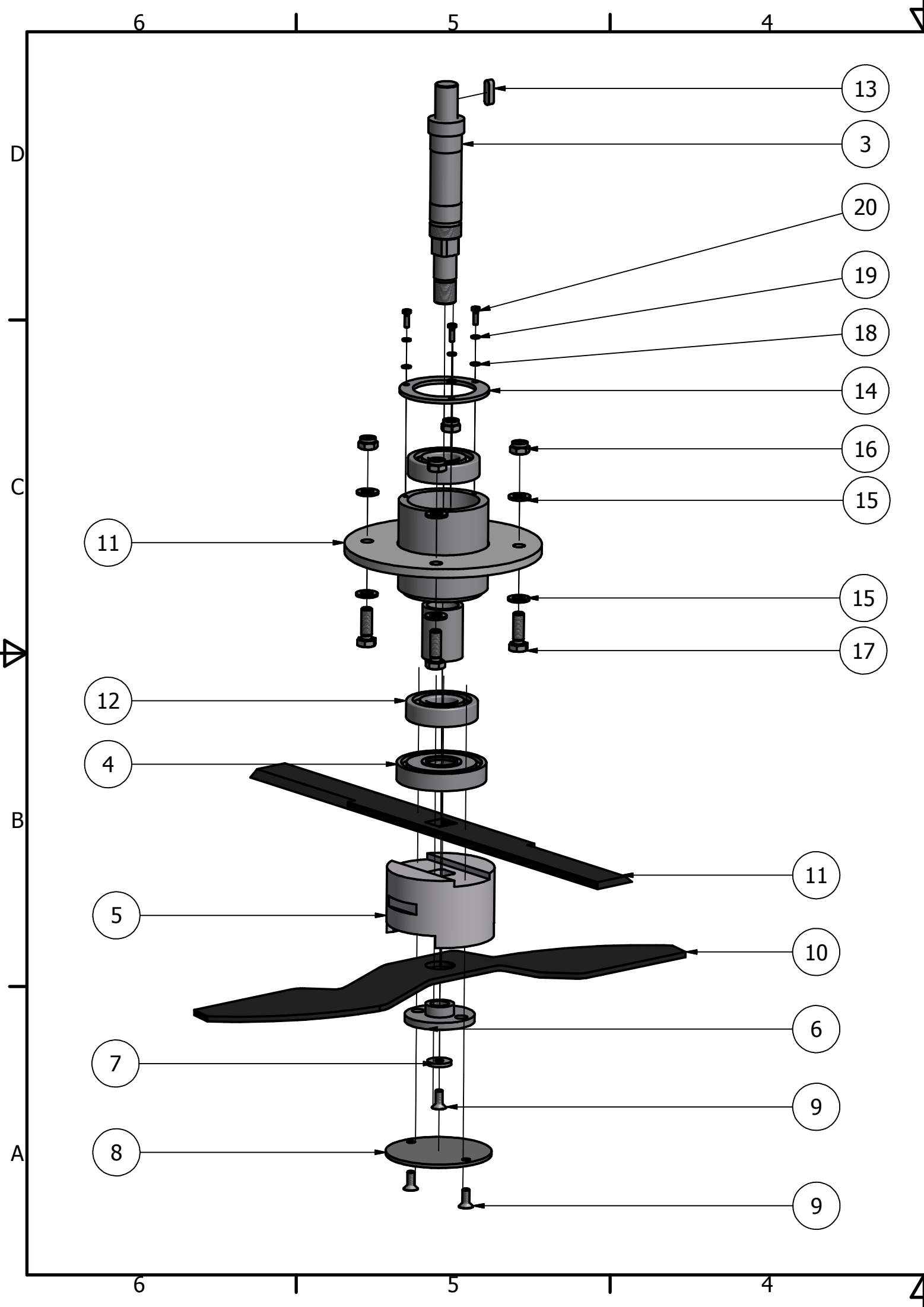
REVISION HISTORY			
REV	DESCRIPTION	DATE	APPROVED
1	ART. NR. CHANGED	24-5-2011	DK
2	ART. NR. POS 10 CHANGED	24-5-2011	DK
3	ART. NR. 14,18,19,20 ADDED	27-8-2014	VH

**Pos. 21,22 en 23 samen te leverbaar als set :
POW-SLEUTELSET**

PARTS LIST			
ITEM	QTY	PART NUMBER	DESCRIPTION
1	1	59.0004.01	BEARING HOUSING
2	1	59.0002.01	SPACER BEARINGS
3	1	59.0001.02	SHAFT ROTOR RM1250pro
4	1	59.0035.01	LOCKNUT TOP M35
5	1	59.0003.01	CLAMP KNIFE BLADE
6	1	59.0024.01	LOCK NUT M24
7	1	59.0008.01	RETAINER RING M8
8	1	59.005.01	COVER PLATE ROTOR
9	3	7991820	Countersunk Screw
10	1	59.2018.33	KNIFE BLADE BOTTOM LEFT
11	1	59.2018.27	ROTOR BLADE TOP LEFT
12	2	59.6307.01	Deep groove ball bearings single row with two Z shields
13	1	59.0471.01	Parallel Key
14	1	59.6307.02	LOCKING PLATE BEARING
15	8	125A12	Washer
16	4	98512	Hex Nut
17	4	9331235	Hex-Head Bolt
18	3	125A5	Washer
19	3	127B5	Spring Washer
20	3	933516	Hex-Head Bolt
21	1	59.0014.01	WRENCH LOCK NUT BLADES
22	1	59.0015.01	WRENCH TOP LOCK NUT
23	1	59.0016.01	WRENCH CLAMP KNIFE BLADE

Designed by J. v.d Broek	Checked by RB	Approved by DK	Date 24-1-2011	Date 24-1-2011
-----------------------------	------------------	-------------------	-------------------	-------------------


	ROTOR ASSEMBLY LEFT RM1250PRO		
	RM1250PRO-EV2	Edition 3	Sheet 1 / 2



REVISION HISTORY			
REV	DESCRIPTION	DATE	APPROVED
1	ART. NR. CHANGED	24-5-2011	DK
2	ART. NR. POS 10 CHANGED	24-5-2011	DK
3	ART. NR. 14,18,19,20 ADDED	27-8-2014	VH

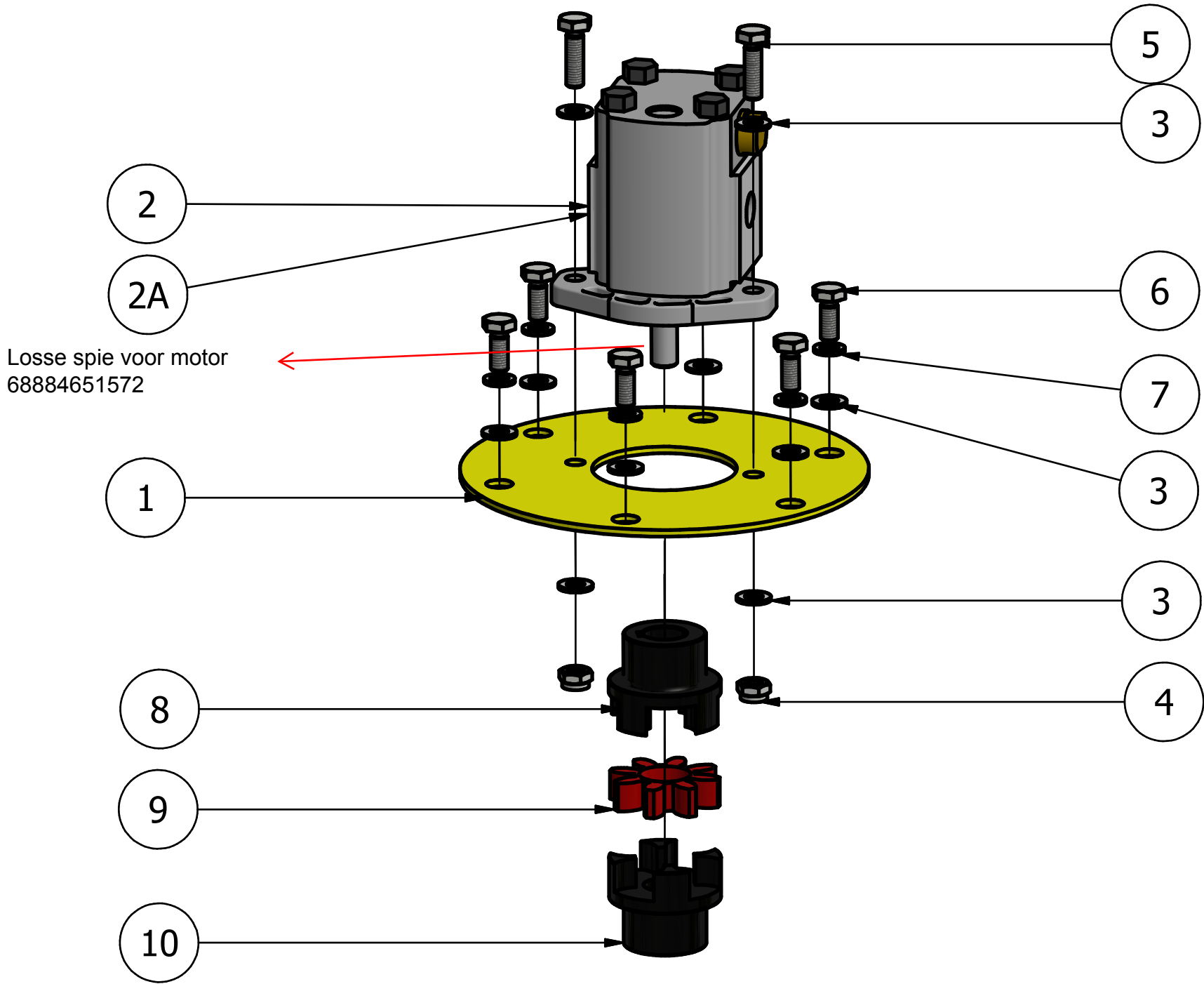
PARTS LIST			
ITEM	QTY	PART NUMBER	DESCRIPTION
1	1	59.0004.01	BEARING HOUSING
2	1	59.0002.01	SPACER BEARINGS
3	1	59.0001.02	SHAFT ROTOR RM1250pro
4	1	59.0035.01	LOCKNUT TOP M35
5	1	59.0003.01	CLAMP KNIFE BLADE
6	1	59.0024.01	LOCK NUT M24
7	1	59.0008.01	RETAINER RING M8
8	1	59.005.01	COVER PLATE ROTOR
9	3	7991820	Countersunk Screw
10	1	59.2018.34	KNIFE BLADE BOTTOM RIGHT
11	1	59.2018.28	ROTOR BLADE TOP RIGHT
12	2	59.6307.01	Deep groove ball bearings single row with two Z shields
13	1	59.0471.01	Parallel Key
14	1	59.6307.02	LOCKING PLATE BEARING
15	8	125A12	Washer
16	4	98512	Hex Nut
17	4	9331235	Hex-Head Bolt
18	3	125A5	Washer
19	3	127B5	Spring Washer
20	3	933516	Hex-Head Bolt

Designed by J. v.d Broek	Checked by RB	Approved by DK	Date 24-1-2011	Date 24-1-2011
-----------------------------	------------------	-------------------	-------------------	-------------------

	ROTOR ASSEMBLY RIGHT RM1250PRO		
	RM1250PRO-EV3	Edition 3	Sheet 1 / 1

REVISION HISTORY

REV	DESCRIPTION	DATE	APPROVED
1	ART. NR. CHANGED	24-5-2011	DK
2	POS. 2A ADDED	24-5-2011	DK
3	HYDR. MOTORS CHANGED	4-5-2013	DK
4	POS. 8 CHANGED	27-8-2014	VH



PARTS LIST

ITEM	QTY	PART NUMBER	DESCRIPTION
1	1	59.0006.01	MOTOR MOUNTING FLANGE
2	1	59.2137.01	HYDRAULIC MOTOR CW
2A	1	59.1229.01	HYDRAULIC MOTOR ACW
3	10	DIN 125 - A 10,5	Washer
4	2	98510	Hex Nut
5	2	9331035	Hex-Head Bolt
6	6	9331025	Hex-Head Bolt
7	6	127A10	Spring Washer
8	1	59.0157.01	Coupling Motor
9	1	59.0005.02 B	Coupling Star
10	1	59.0005.01 A	Coupling Rotor

Designed by J. v.d Broek	Checked by RB	Approved by DK	Date 24-1-2011	Date 24-1-2011
-----------------------------	------------------	-------------------	-------------------	-------------------



MOTOR ASSEMBLY RM1250PRO

RM1250PRO-EV4

Edition
4

Sheet
1 / 1