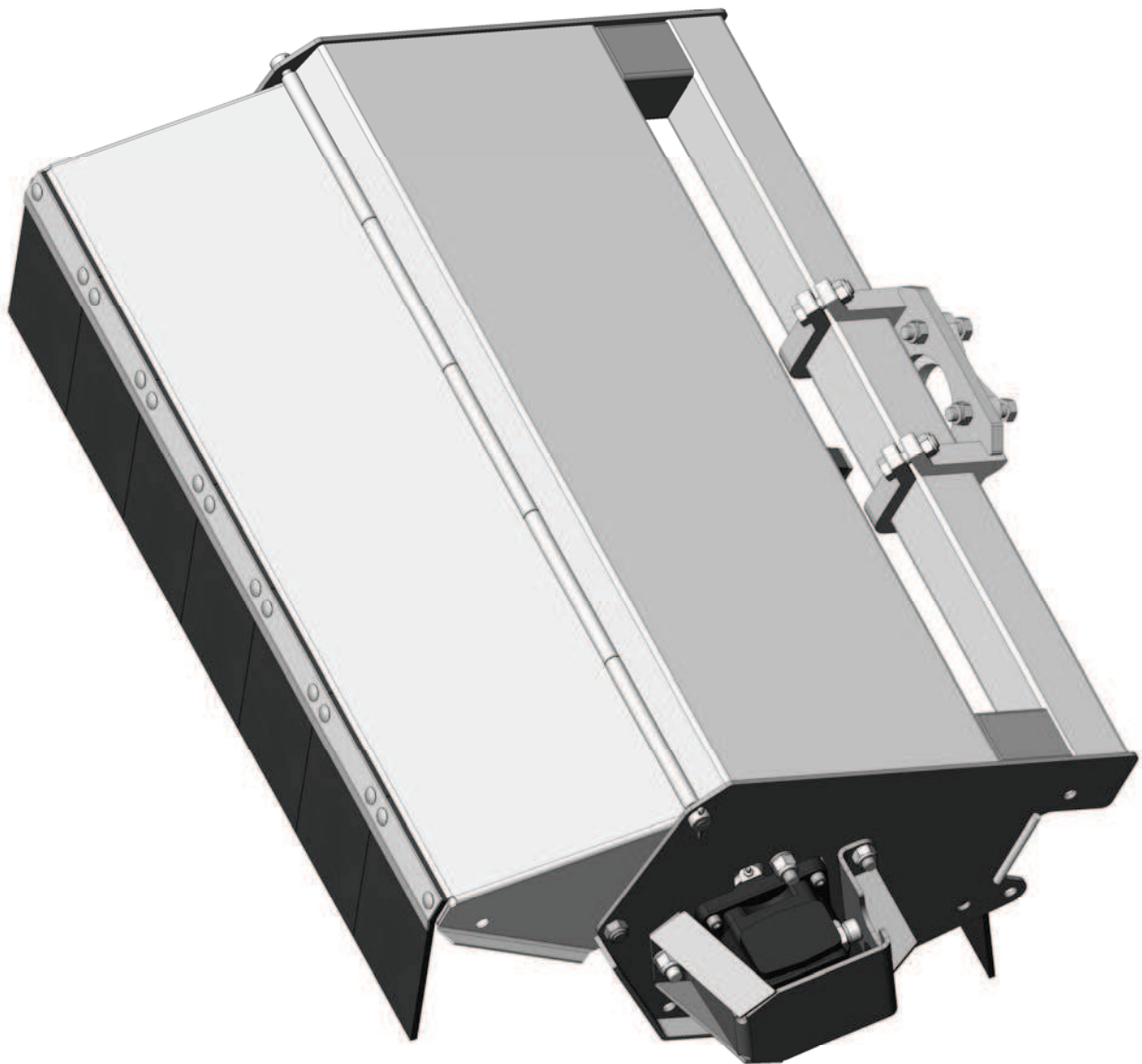


Publication 613
October 2009
Part No. 22674.13
Revision: 15.02.12



1.0M SUPERCUT FLAILHEAD

SLIDING MOUNT HEAD - 45HP & 54HP BUILDS
Flailheads 7358800 / 7358820 & build variants
Parts Manual





For best performance ...

USE ONLY GENUINE McCONEL SERVICE PARTS

*To be assured of the latest design improvements purchase your
'Genuine Replacements' from the 'Original Equipment Manufacturer'*

McCONEl LIMITED

Through your local Dealer or Stockist

Always quote:

- ***Machine Type***
- ***Serial Number***
- ***Part Number***

*Design improvements may alter some of the parts listed in this manual –
the latest part will always be supplied when it is interchangeable with an earlier one.*

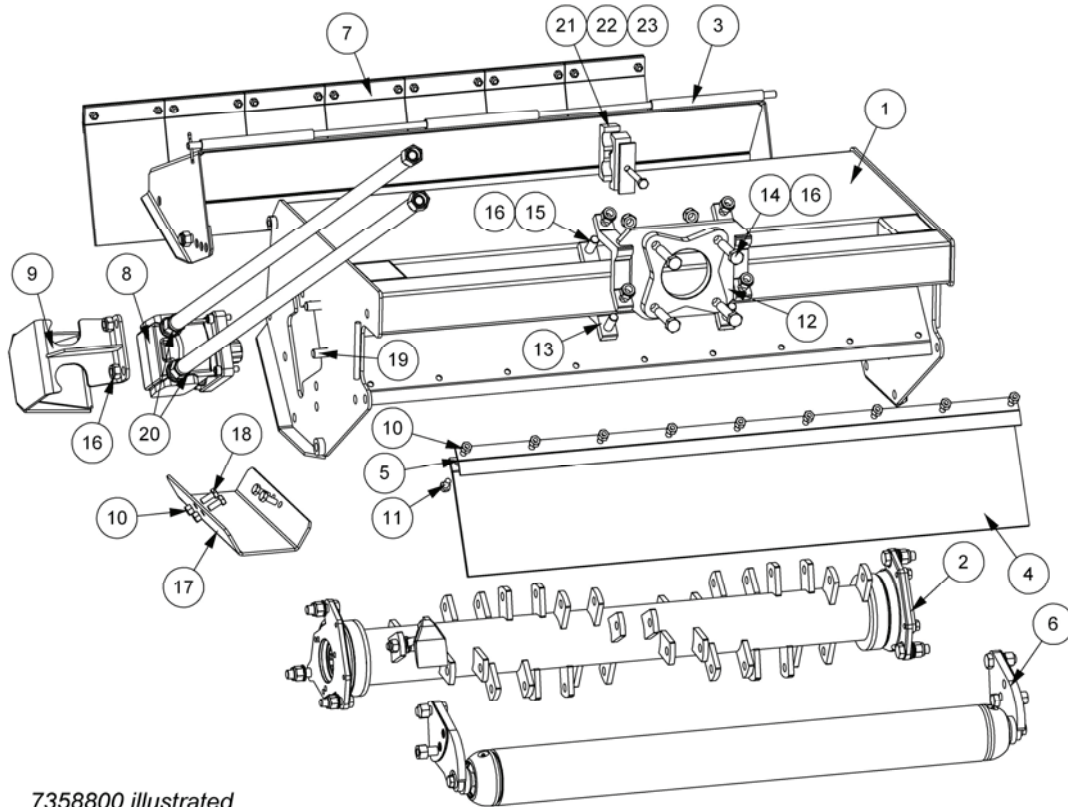
CONTENTS

Flailhead Assembly	3
Rotor Assemblies	4
45HP Motor Assembly	8
54HP Motor Assembly	9
Roller Assemblies	10
Front Hood Kit	14
Front Flap Kit	15
Decal Kit	16

1.0M SUPERCUT FLAILHEAD (SLIDING MOUNT)

McCONEL

Module(s): 7358800 – 45HP Build, 7358820 – 54HP Build



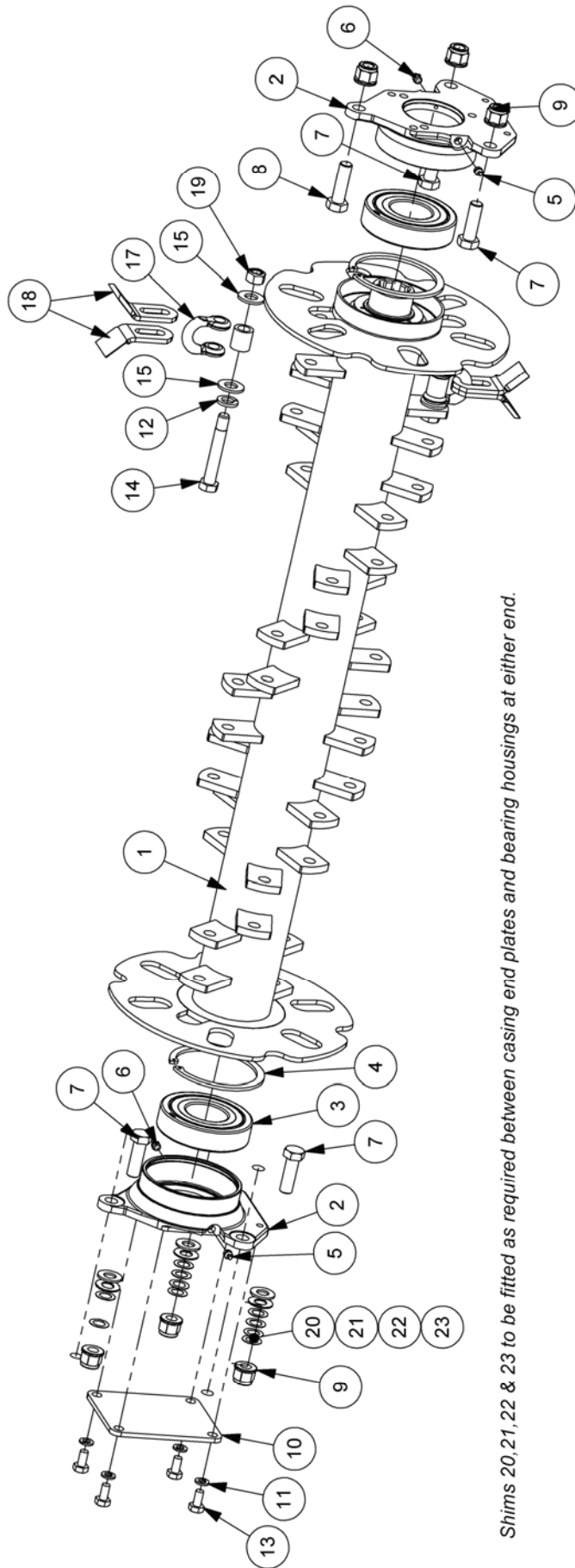
7358800 illustrated

REF.	QTY.	PART No.	DESCRIPTION
		7358800	1.0M SUPERCUT FLAILHEAD ASSEMBLY (45HP)
		7358820	1.0M SUPERCUT FLAILHEAD ASSEMBLY (54HP)
1	1	7198412	CASING -1.0M (SUPERCUT SLIDING)
2	1	21959.03	ROTOR MODULE
3	1	7191376	FRONT HOOD KIT
4	1	7191300	REAR FLAP
5	1	7191319	CLAMP STRIP
6	1	42241.22	ROLLER ASSEMBLY
7	1	7191321	FRONT FLAP KIT
8	1	21965.01	MOTOR MODULE (45HP) - <i>Build 7358800</i>
	1	21965.03	MOTOR MODULE (54HP) - <i>Build 7358820</i>
9	1	7191393	MOTOR COVER (7191396 used on head 7358822)
10	13	9143005	SELF-LOCKING NUT
11	9	9313045	SETSCREW
12	1	7198330	CLAMP
13	2	7198332	CLAMP
14	4	12.714.75	BOLT
15	4	9200031	BOLT
16	10	9100028	SELF-LOCKING NUT
17	1	7198333	HOSE TRAY
18	4	9313055	SETSCREW
19	2	12.714.35	BOLT
20	2	10.009.25	HOSE - 3/4" BSP FS/FS x 1500mm - <i>Build 7358800</i>
	2	10.025.25	HOSE - 1" BSP FS/F135 x 1500mm - <i>Build 7358820</i>
21	1	7190148	PLASTIC CLAMP (PAIR) - <i>Build 7358800</i>
	1	7193063	PLASTIC CLAMP (PAIR) - <i>Build 7358820</i>
22	1	06.418.05	CLAMP PLATE
23	1	9213145	BOLT
24	1	9100205	SPRING WASHER

1.0M SUPERCUT ROTOR ASSEMBLY

Module(s): 21959.12

McCONNEL



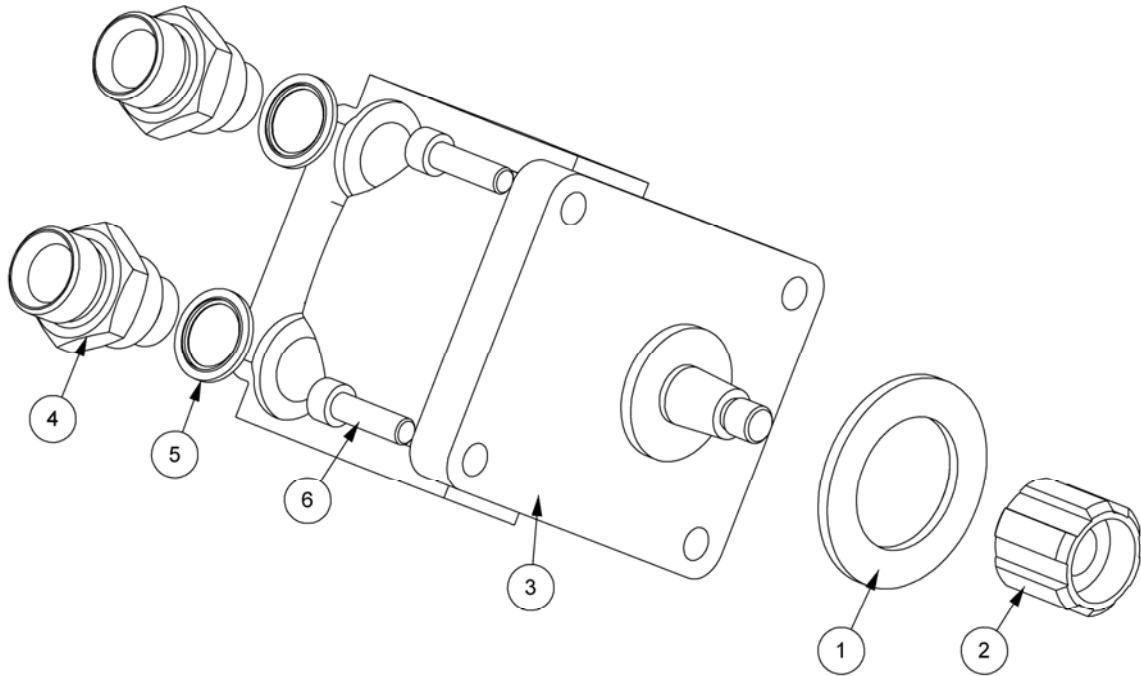
Shims 20, 21, 22 & 23 to be fitted as required between casing end plates and bearing housings at either end.

1.0M SUPERCUT ROTOR ASSEMBLY

McCONNEL

Module(s): 21959.12

REF.	QTY.	PART No.	DESCRIPTION
		21959.12	1.0M SUPERCUT ROTOR ASSEMBLY
1	1	7198426	ROTOR
2	2	7190261	BEARING HOUSING
3	2	0600018	BALL BEARING
4	2	7190022	INTERNAL CIRCLIP
5	2	0901121	GREASE NIPPLE
6	2	0901125	GREASE NIPPLE
7	5	9200025	BOLT
8	1	9200023	BOLT
9	6	9100024	SELF-LOCKING NUT
10	1	7190444	COVER PLATE
11	4	9100205	SPRING WASHER
12	20	9100207	SPRING WASHER
13	4	9313045	SETSCREW
14	20	05.775.10	BOLT - SPECIAL
15	40	05.281.04	FLAT WASHER
16	20	02.807.01	SPACER
17	20	05.895.01	SHACKLE - FORGED
18	40	7190166	GRASS FLAIL
19	20	05.968.06	SELF-LOCKING NUT
20	3	7191098	SHIM - 1.5mm
21	3	7191099	SHIM - 2.5mm
22	5	8121043	SHIM -0.4mm
23	5	8121044	SHIM - 0.6mm

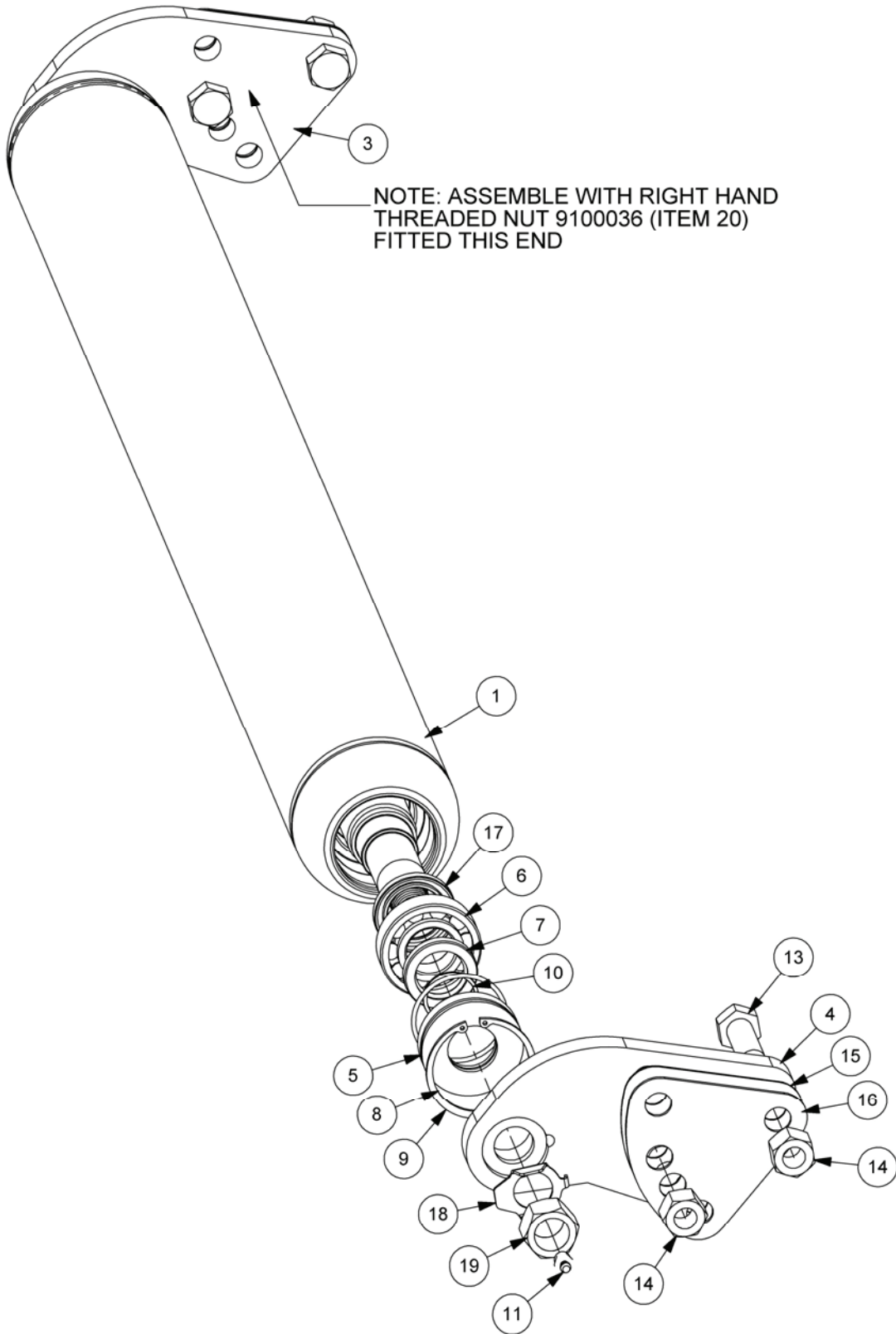


REF.	QTY.	PART No.	DESCRIPTION
		21965.03	FLAILHEAD MOTOR (54HP)
1	1	7190015	LOCATING WASHER
2	1	7190573	DRIVE COUPLING - 6 SPLINE
3	1	8301302	54HP MOTOR (BACK PORTED)
4	2	8581295	ADAPTOR
5	2	8650106	BONDED SEAL
6	4	9300144	CAPSCREW
		8699236	SEAL KIT
		8629209	SHAFT SEAL

1.0M ROLLER ASSEMBLY

McCONNEL

Module(s): 22808.07



1.0M ROLLER ASSEMBLY

McCONNEL

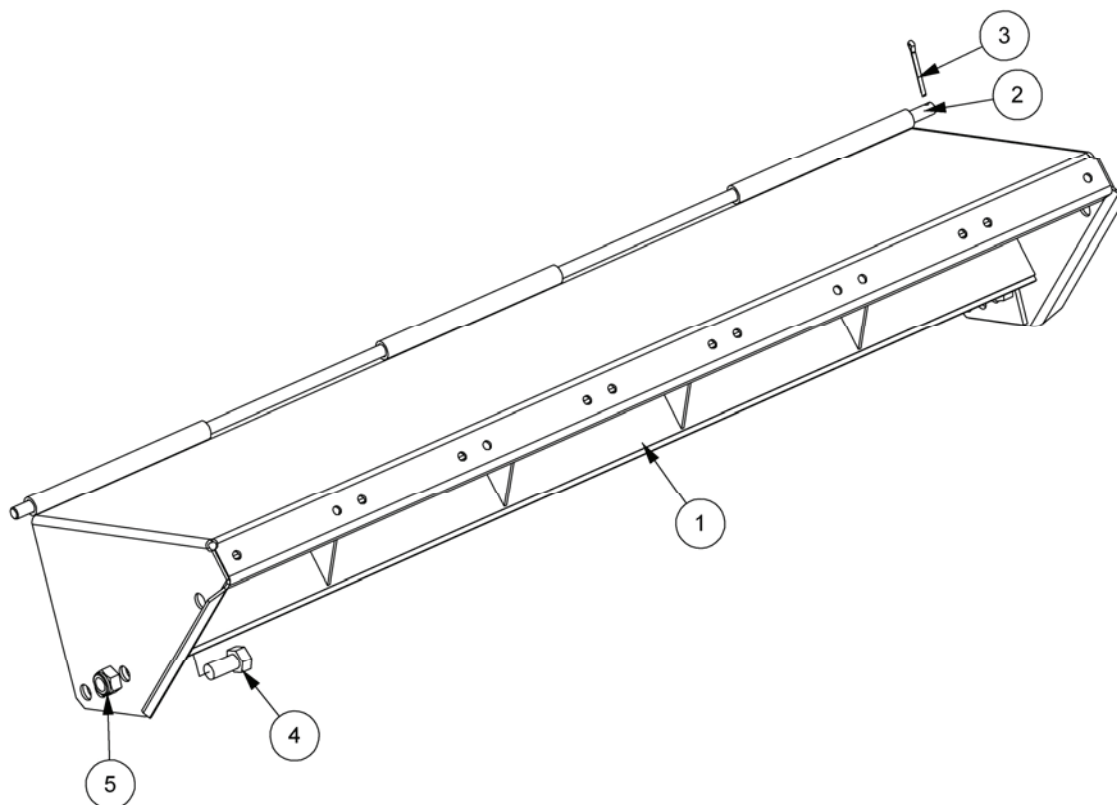
Module(s): 22808.07

REF.	QTY.	PART No.	DESCRIPTION
		22808.07	1.0M ROLLER ASSEMBLY
1	1	22808.08	ROLLER TUBE
2	1	22808.09	ROLLER SHAFT
3	1	22808.03	ROLLER BRACKET - LH
4	1	22808.04	ROLLER BRACKET - RH
5	2	22808.06	SEAL CARRIER
6	2	0600111	BALL BEARING
7	2	8629215	ROTARY SHAFT SEAL
8	2	8600422	O RING
9	2	0411262	INTERNAL CIRCLIP
10	2	0412120	SPIROLOX RING
11	2	0901121	GREASE NIPPLE
12	2	9213117	BOLT
13	2	9313097	SETSCREW
14	4	9163007	NYLOC NUT
15	2	42257.03	SHIM - 1.2mm
16	2	42257.04	SHIM - 2.0mm
17	2	8629181	ROTARY SHAFT SEAL
18	2	21395.03	TAB WASHER
19	1	9100035	NUT - LH THREAD
20	1	9100036	NUT - RH THREAD

FRONT HOOD KIT

McCONNEL

Module(s): 7191376

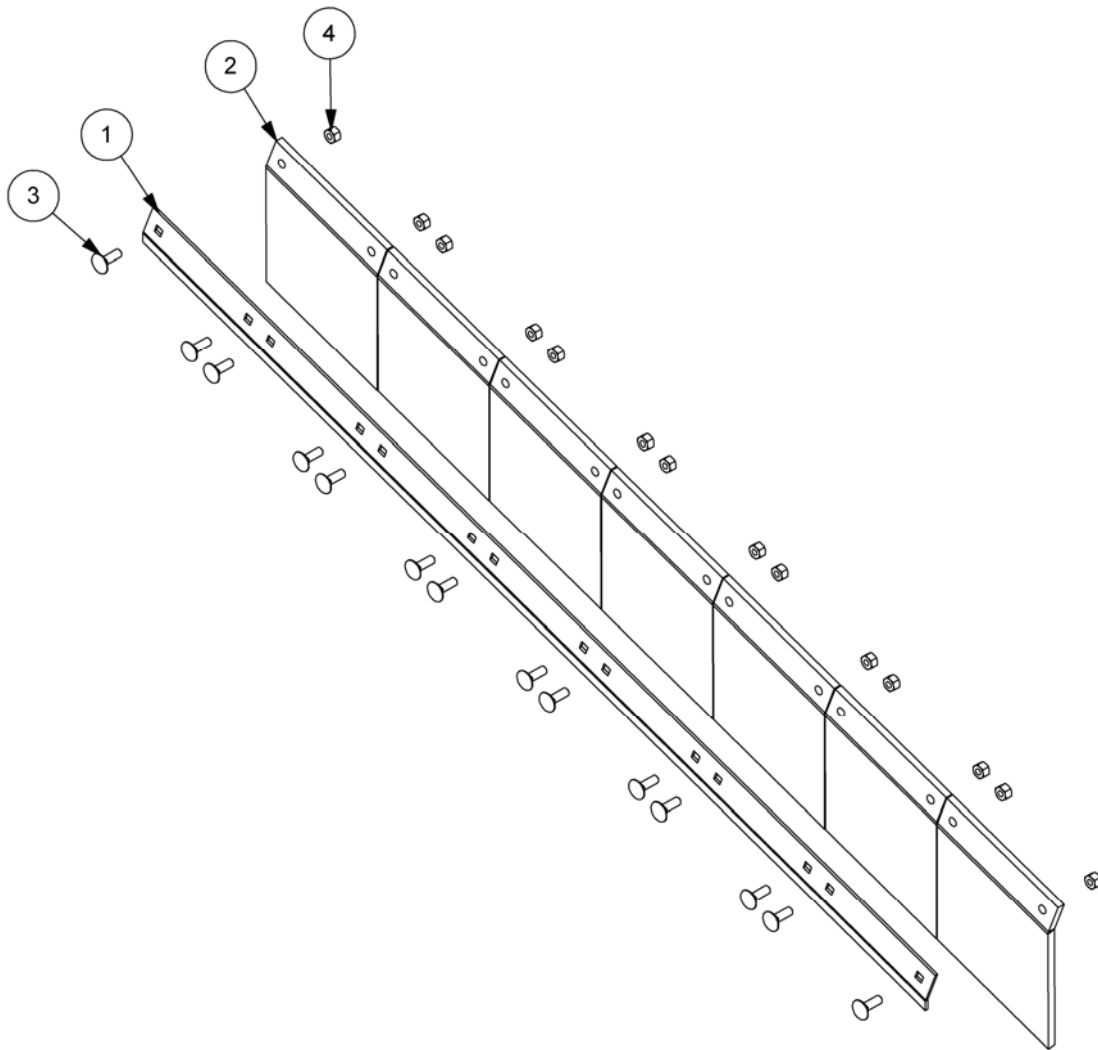


REF.	QTY.	PART No.	DESCRIPTION
		7191376	FRONT HOOD KIT (1.0M HEAD)
1	1	7191279	1.0M FRONT HOOD
2	1	7191094	HOOD PIVOT PIN
3	1	9501406	SPLIT PIN
4	2	0311106	SCREW
5	2	0141006	CLEVELOC NUT

FRONT FLAP KIT

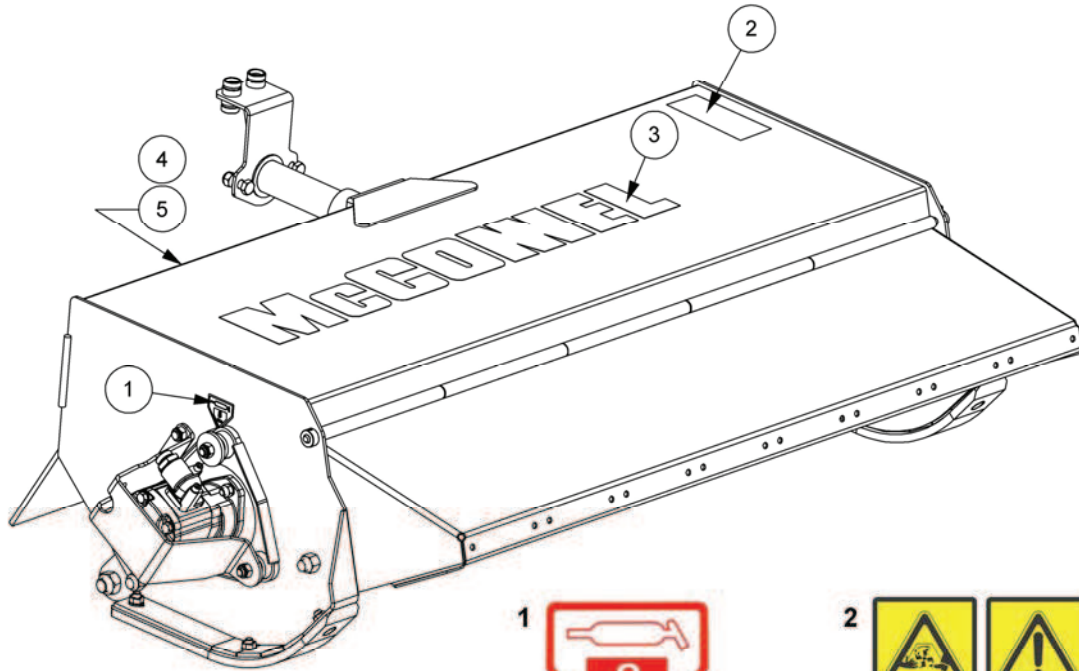
McCONNEL

Module(s): 7191321



REF.	QTY.	PART No.	DESCRIPTION
		7191321	FRONT FLAP KIT
1	1	7190350	CLAMP STRIP
2	7	7190035	FRONT FLAP
3	14	9293054	CUP HEAD SCREW
4	14	9143004	SELF-LOCKING NUT

NOTE: Model shown for general illustration purposes only and may differ from actual flailhead.



REF.	QTY.	PART No.	DESCRIPTION
		21978.02	DECAL KIT
1	1	09.810.01	DECAL - GREASE (8 HRS)
2	1	09.821.35	DECAL - COMBINED EURODECAL
3	1	1290527	DECAL - McCONNEL
4	1	1335246	SERIAL NUMBER PLATE
5	4	7103230	POP RIVET



McConnel Limited, Temeside Works, Ludlow, Shropshire SY8 1JL. England.
Telephone: 01584 873131. Facsimile: 01584 876463. www.mcconnel.com