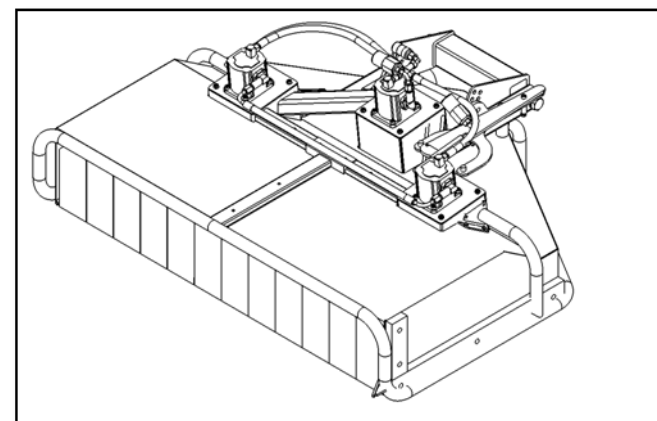
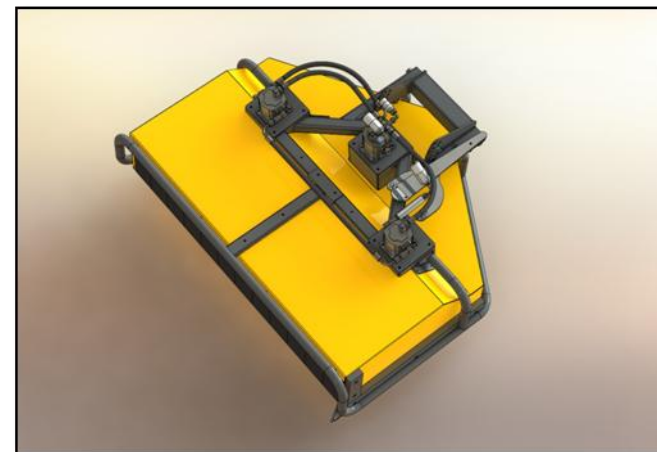


Onderdelenlijst POWER Heggensnoeier HS130HR

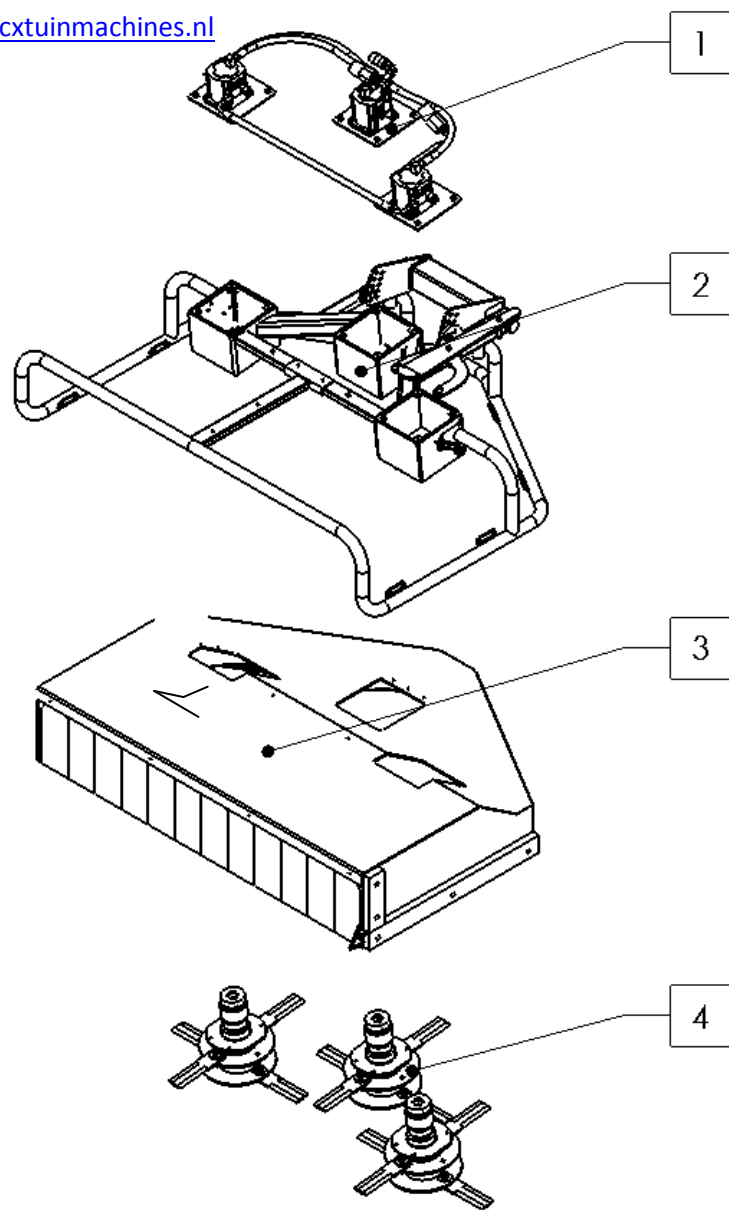
Versie; 10-06-13

Overzicht compleet	Blz. 2
Groep 1, hydraulica	Blz. 3
Groep 2, frame	Blz. 4
Groep 3, beschermkap	Blz. 5
Groep 4, messenkap	Blz. 6

Becx Tuinmachines Moergestel B.V.
De Sonman 35
5066 GJ Moergestel
+31(0)13-513 1140
moergestel@becxtuinmachines.nl



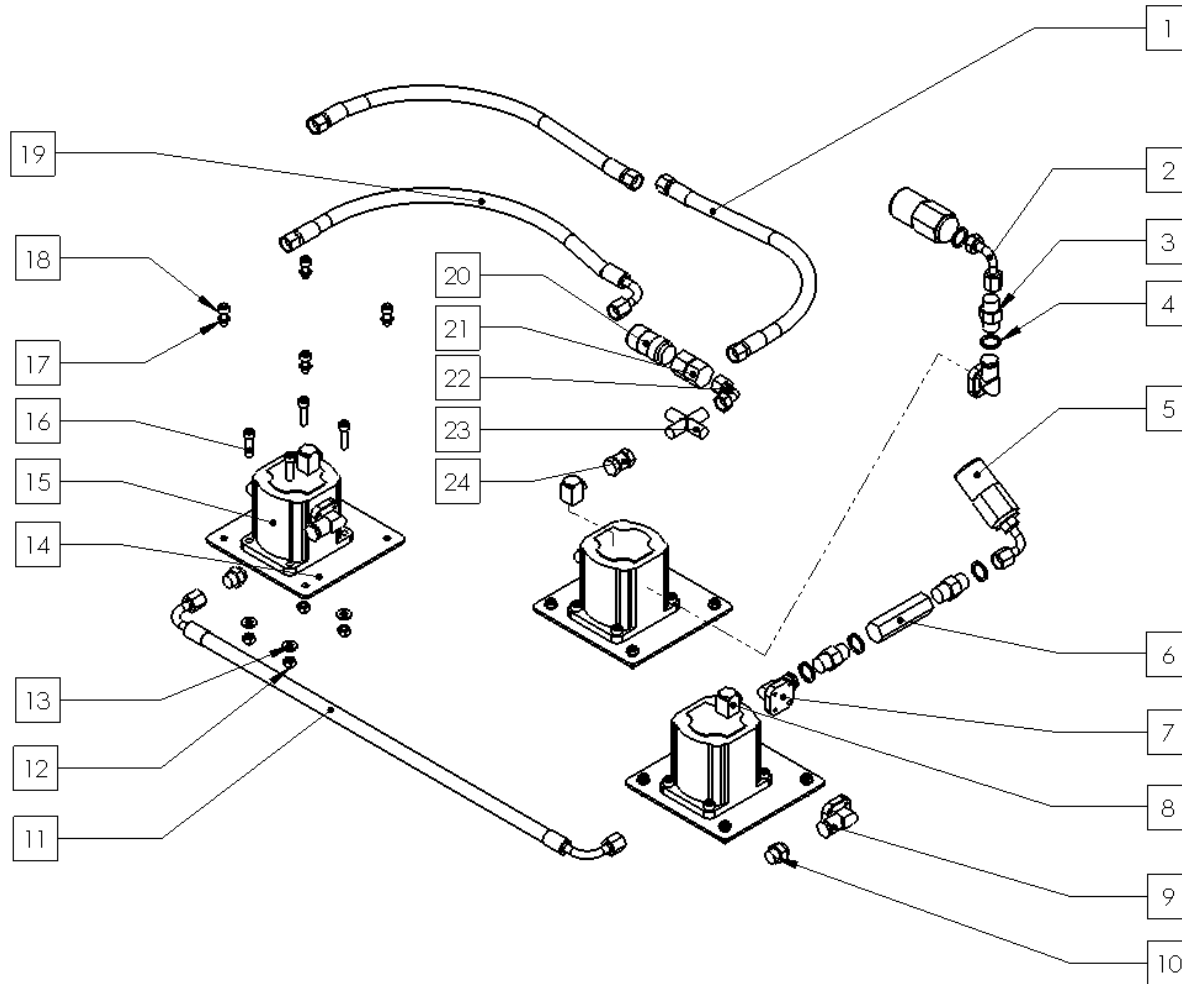
<http://www.becxtuinmachines.nl>



HS130HR, Compleet

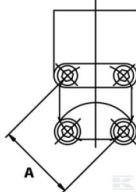
#	Aantal	Artikelcode	Omschrijving	Description
1	1		Hydraulica	Hydraulics
2	1		Frame	Frame
3	1		Beschermkap	Protectioncover
4	3		Messenkoppen	Cutting-units

HS130HR, Groep 1, hydraulica, hydraulics LET OP Serienummer machine ..00 / ..01



#	aantal	Artikelcode	Omschrijving	Description
1	2	BEC010600	3/8-2SC-510-12LW-12LW	3/8-2SC-510-12LW-12LW
2	2	BEC011800	A08BF90-08BM	A08BF90-08BM
3	3	BEC012500	A08BM-08BM	A08BM-08BM
4	6	BEC011900	1071-1/2	1071-1/2
5	2	BEC012600	2FFI-12GAS-F	2FFI-12GAS-F
6	1	BEC011400	VU-1/2	VU-1/2
7	6 / 3 ⚠	BEC011101	RRB35X12HA HOH=35 ZIE BENEDEN	RRB35X12HA HOH=35 SEE BELOW
8	3	BEC011000	SVWE-12LR-1/4-BO (opgesn. naar M12x1,5)	SVWE-12LR-1/4-BO (thread M12x1,5)
9	0 / 3 ⚠	BEC012300	RRB40X12HA HOH = 40 ZIE BENEDEN	RRB40X12HA HOH = 40 SEE BELOW
10	4	BEC012200	GE-15LRDE-1/2-BO	GE-15LRDE-1/2-BO
11	1	BEC011300	½-2SC-740-15LW90-15LW90	½-2SC-740-15LW90-15LW90
12	12	8VT	Moer TENSILOCK M8	Nut TENSILOCK M8
13	12	125A8	Sluitring M8	Washer M8
14	3	BEC020300	Motormontageplaat	Motormountingplate
15	3	BEC011200/ BEC011201/ BEC011202	Hydromotor, (zie slagletters voor type, 30/45/60)	Hydromotor, (see letters on motor, 30/45/60)
16	12	912830	Inbus M8x30 8.8	Socket M8x30 8.8
17	12	127B8	Veerring M8	Spring washer M8
18	12	912820	Inbus M8x20 8.8	Socket M8x20 8.8
19	1	BEC010900	½-2SC-520-15LW-15LW90	½-2SC-520-15LW-15LW90
20	1	BEC011600	2FFN-38GAS-F	2FFN-38GAS-F
21	1	BEC012000	EVGE-12LRDE-3/8	EVGE-12LRDE-3/8
22	1	BEC011700	EVW-12L-BO	EVW-12L-BO
23	1	BEC010400	K-12-L-BO	K-12-L-BO
24	1	BEC010500	GVO-12L-12L	GVO-12L-12L


3

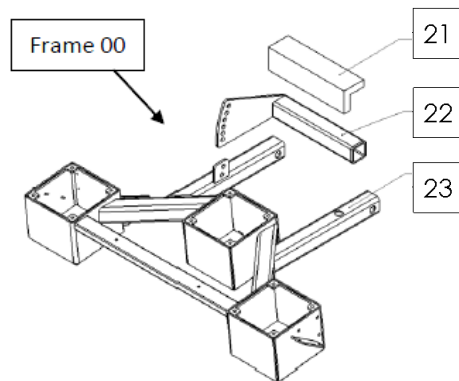
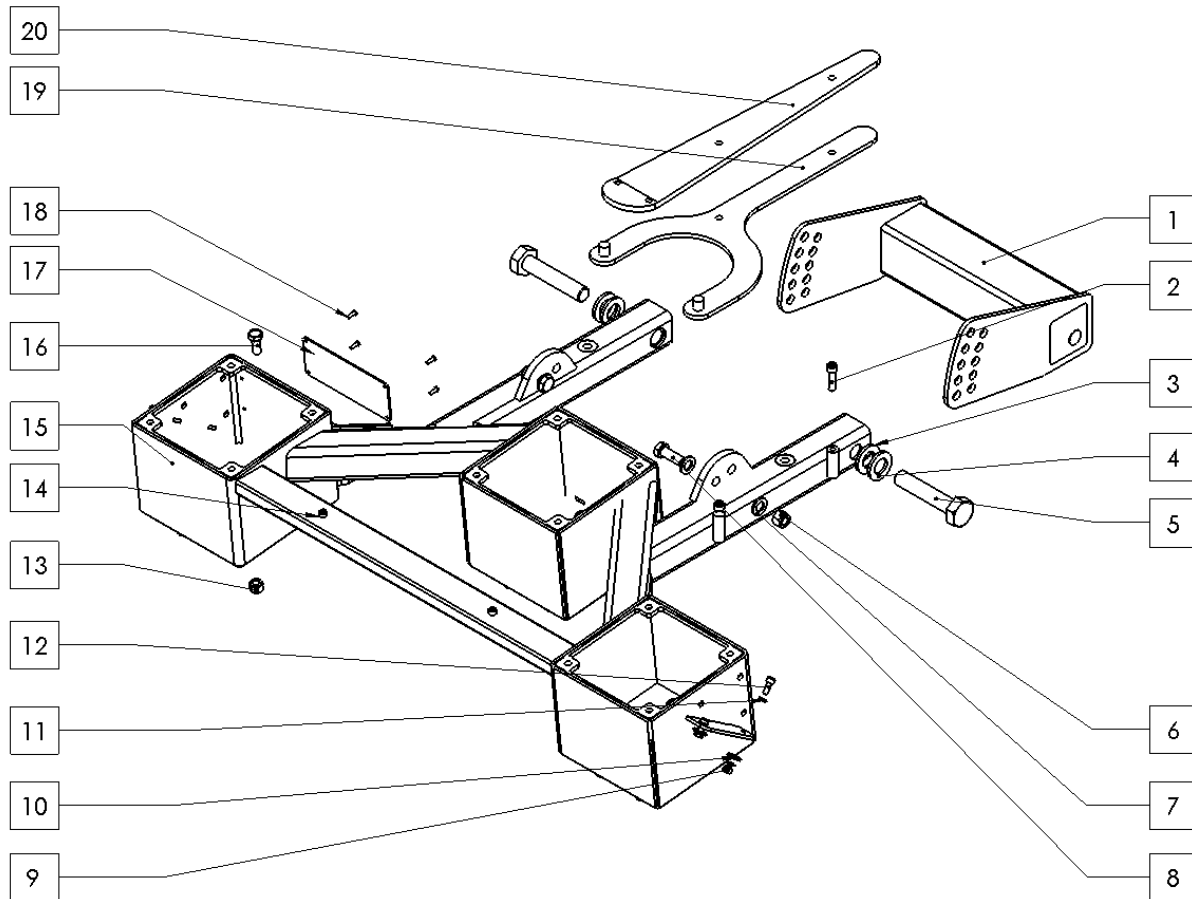


LET OP, VERSCHIL IN MOTOR(AANSLUITINGEN)
CAUTION, DIFFERENCES IN MOTOR(CONNECTORS)

A= 35mm : BEC011101

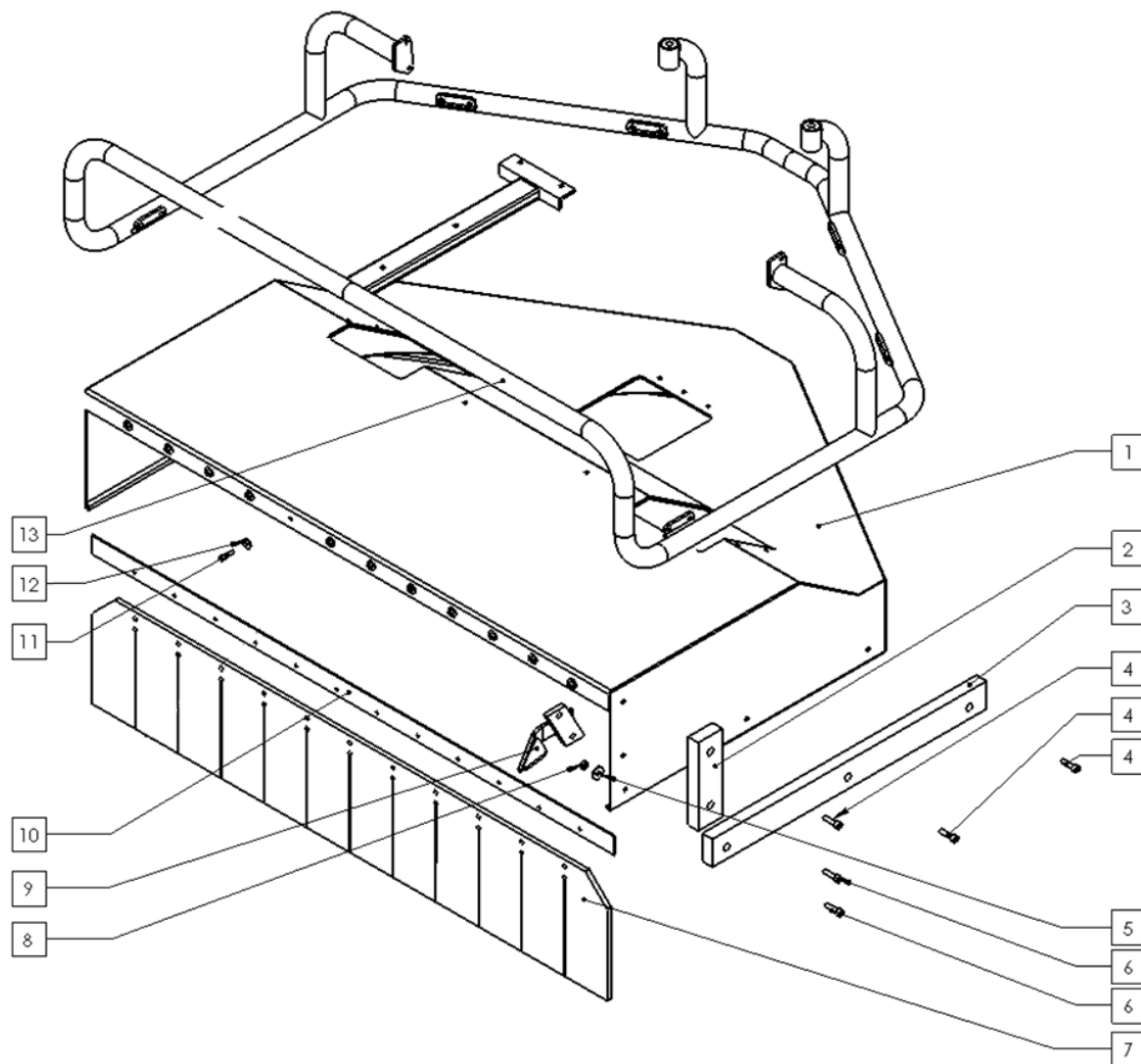
A= 40mm : BEC012300





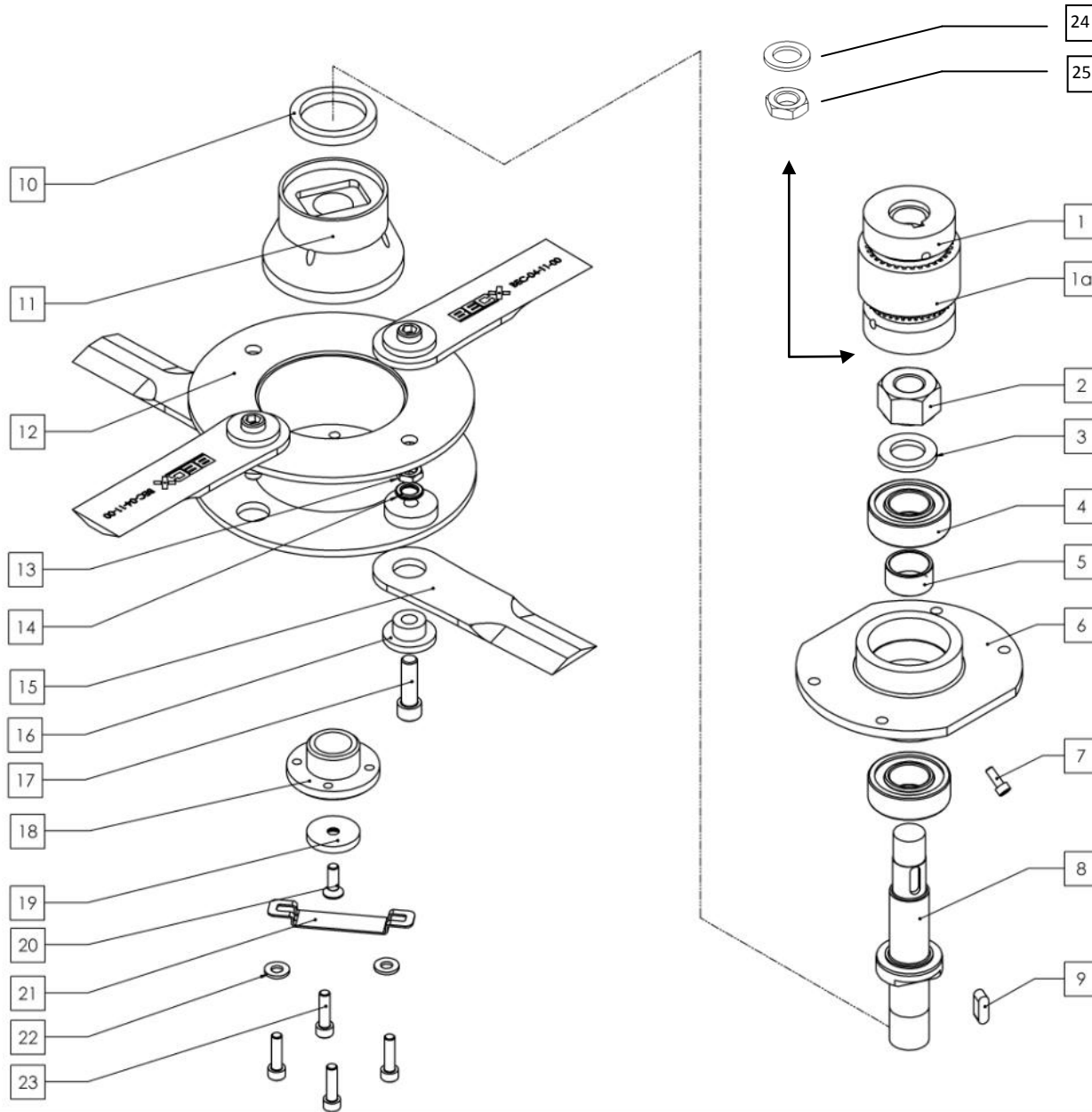
HS130HR, Groep 2, frame LET OP Serienummer machine ..-00 / ..-01

#	Aantal	Artikelcode	Omschrijving	Description
1	1	BEC020201	Ophangkoker	Mounting beam
2	2	912830	Inbus M8x30 8.8	Socket M8x30 8.8
3	2	125A20	Sluitring M20	Washer M20
4	2	127B20	Veerring M20	Springer Washer M20
5	2	93120100	Bout M20x100 8.8	Bolt M20x100 8.8
6	2	98512	Borgmoer M12	Locknut M12
7	4	125A12	Sluitring M12	Washer M12
8	2	9331235	Bout M12x35 8.8	Bolt M12x35 8.8
9	9	9856	Borgmoer M6	Locknut M6
10	9	9021A6	Carrosseriering M6	Washer-body M6
11	9	125A6	Sluitring M6	Washer M6
12	7	912620	Bout M6x20 8.8	Bolt M6x20 8.8
13	12	98510	Borgmoer M10 (voor messenkop#6)	Locknut M10 (for cutting unit#6)
14	2	912640/912635	Bout M6x40/35 8.8	Bolt M6x40/35 8.8
15	1	BEC020501	Frame	Frame
16	12	9121020	Bout M10x20 8.8 (voor messenkop#6)	Bolt M10x20 8.8 (for cutting unit#6)
17	1	BEC020800	Typeplaat	Type plate
18	4	BN410	Blindniet 4mm	Rivet 4mm
19	1	BEC020600	Sleutel1	Tool1
20	1	BEC020700	Sleutel2	Tool2
21	1	BEC020100	Passtuk 75x75	Adapter 75x75
22	1	BEC020200	Ophangkoker-00	Mounting beam-00
23	1	BEC020500	Frame-00	Frame-00



HS130HR, Groep 3, beschermkap, body
LET OP Serienummer machine ..-00 / ..-01

#	Aantal	Artikelcode	Omschrijving	Description
1	1	BEC030100	Beschermkap	Safety-body
2	1(0)	BEC030400	Slijtblok kort Ox bij stootbeugel	Anti-wear short
3	1(0)	BEC030500	Slijtblok lang Ox bij stootbeugel	Anti-wear long
4	3	912820	Bout M8x20 8.8	Bolt M8x30 8.8
5	5	125A8	Sluitring M8	Washer M8
6	2	912830	Bout M8x30 8.8	Bolt M8x20 8.8
7	1	BEC030300	Lamellen	Fins
8	5	9858	Moer M8	Nut M8
9	1	BEC030600	Pin lage takken	Low branches pin
10	1	BEC030200	Strip lamellen	Fin-mounting-strip
11	12	912616	Bout M6x16 8.8	Bolt M6x16 8.8
12	12	9021A6	Carrosseriering M6	Washer-body M6
13	(1)	BEC050100	Stootbeugel (optie)	Shock-mount



HS130HR, Groep 4, messenkop, cutting unit
LET OP Serienummer machine ..-00 / ..-01

#	Aantal(tot)	Artikelcode	Omschrijving	Description
1	1(3)	BEC040200	Motorverbinding-set	Motor-connection-set
1a	1(3)	BEC042300	Kunststof beveiliging	Nylon overload-prot.
2	1(3)	BEC040100	Moer M24	Nut M24
3	1(3)	BEC042100	Nordlockring	Nordlockingring
4	2(6)	BEC040300	Lager D60 d30 B20	Bearing D60 d30 B20
5	1(3)	BEC040500	Afstandsbus lager	Bearing spacer
6	1(3)	BEC040401	Lagerhuis	Bearing housing
7	1(3)	BEC040600	Smeernippel M6	Grease nipple
8	1(3)	BEC040800	As	Shaft
9	1(3)	BEC042200	Spie	Key
10	1(3)	BEC041400	Keerring 50658cc	Seal 50658cc
11	1(3)	BEC041500	Alu klos messchijf	Aluminium hub
12	1(3)	BEC041600	Messchijven	Knife-mounting-discs
13	4(12)	93412	Mesmoer M12	Knife-Nut M12
14	4(12)	127B12RC	Veerring M12	Springer washer M12
15	4(12)	BEC041101	MES-HS130HR	Knife-HS130HR
16	4(12)	BEC041000	Mesring	Knife ring
17	4(12)	BEC040900	912 inbus M12x40	912 Socket M12x40
18	1(3)	BEC041700	Flensmoer	Flange-nut
19	1(3)	BEC041800	Borgring	Retaining ring
20	1(3)	7991820	Inbus verz. M8x20	Socket sunk M8x20
21	1(3)	BEC042400	Borgplaatje	Retaining plate
22	2(6)	125A8	Sluitring M8	Washer M8
23	4(12)	912830	Bout M8x30	Bolt M8x30
24	1(3)	NL12GEL	Nordlockring M12	Nordlockingring M12
25	1(3)	93412	Moer M12	Nut M12