

PARTS MANUAL

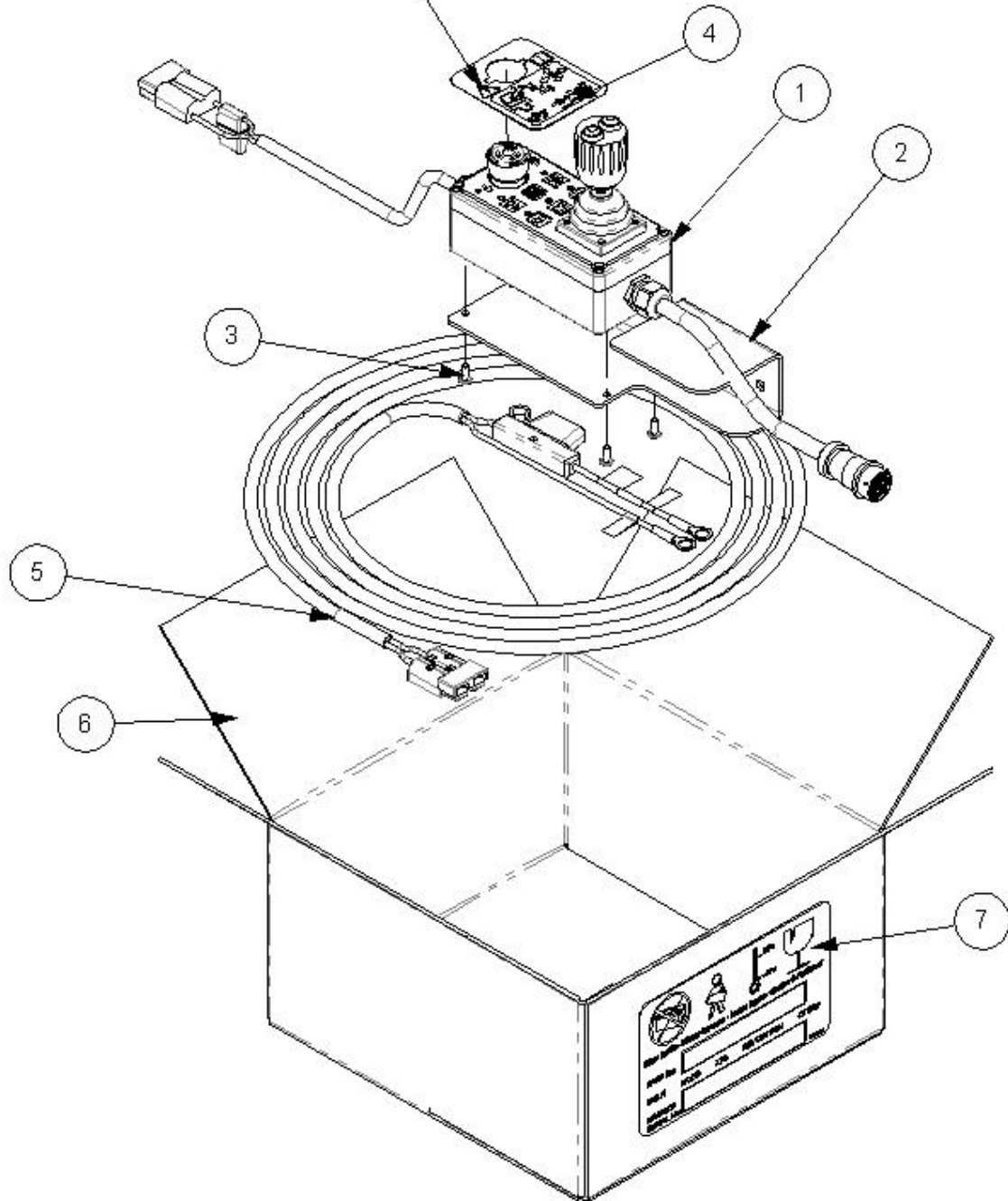
FOR

SERIAL NO: M2063694

PRINTED ON 22 MAR 2021

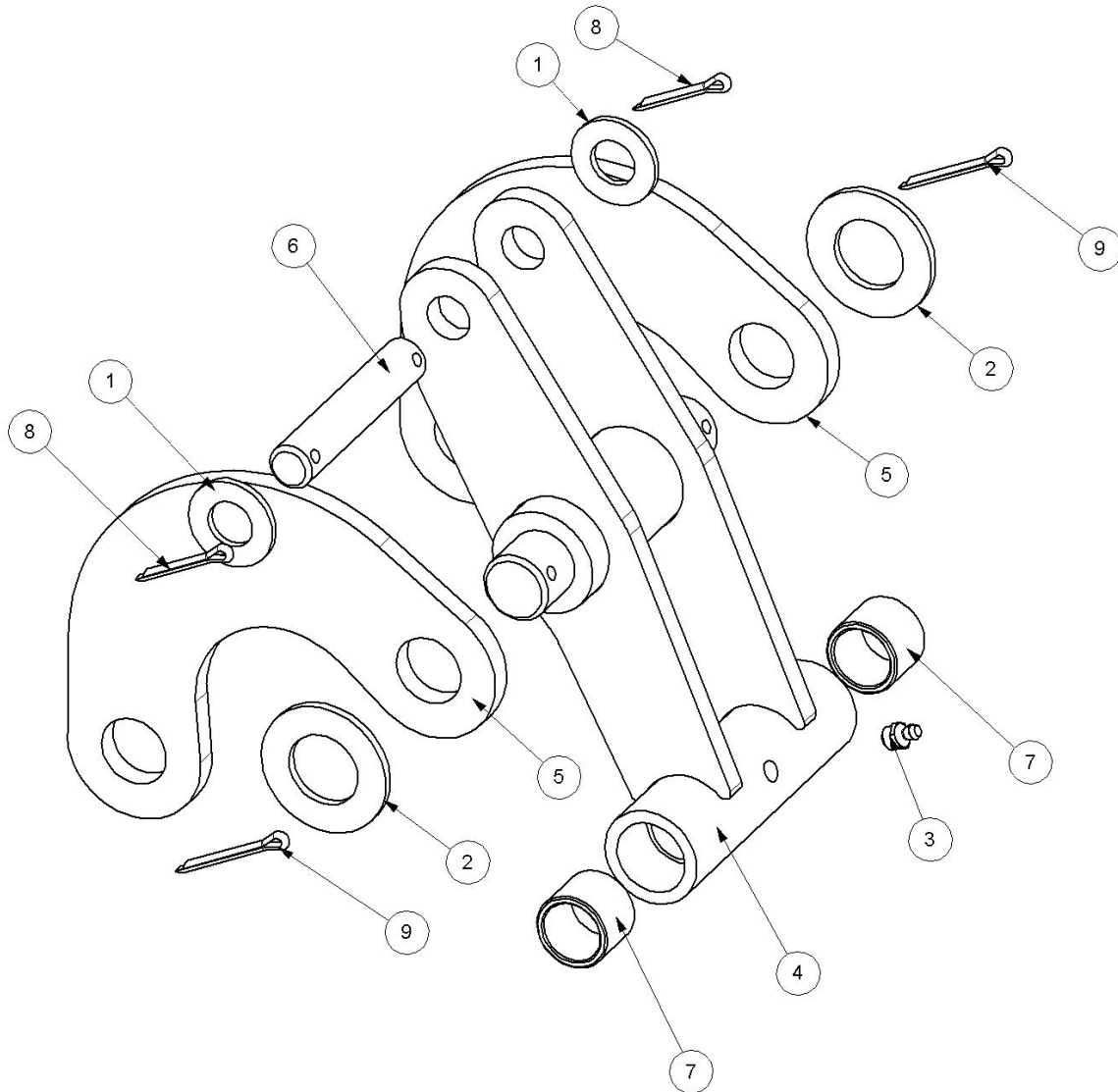
23880.01 - MINI CONTROLS COMES WITH POWER

FIT DECAL OVER E STOP



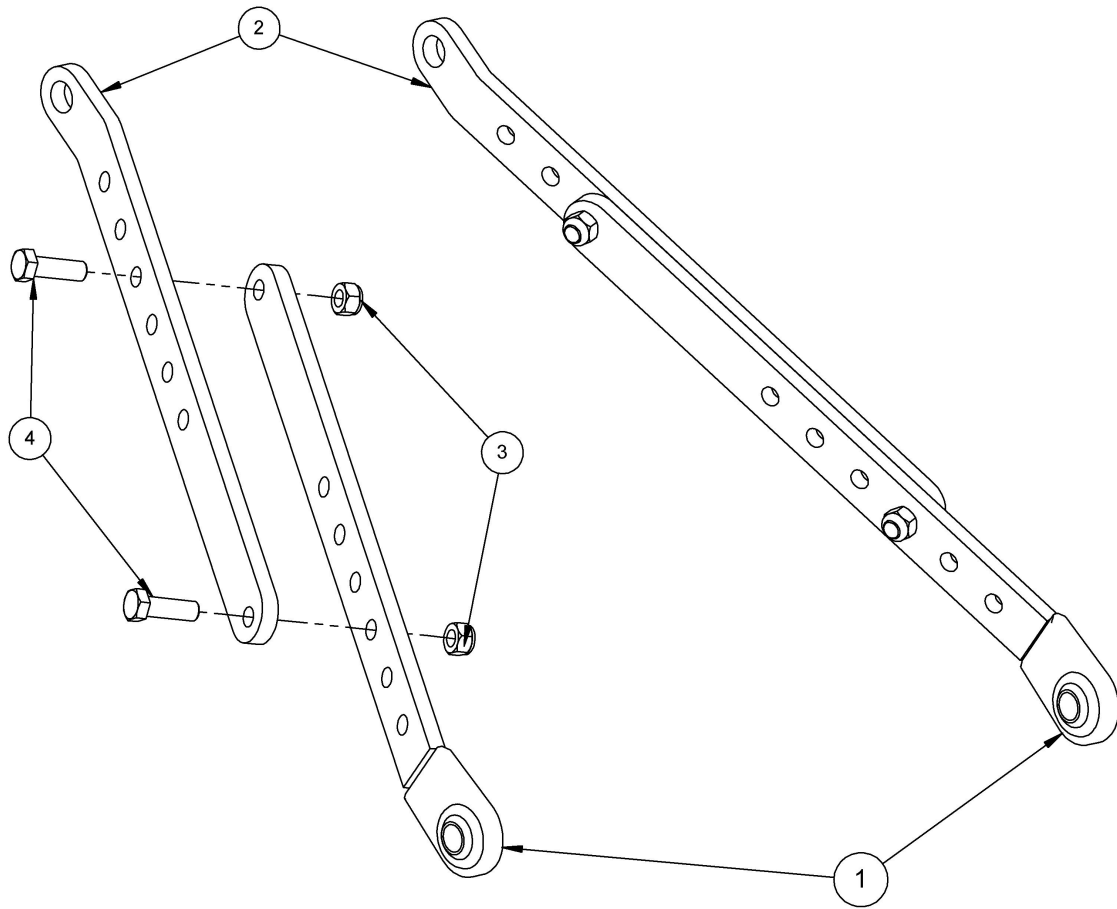
Ref	Part No	Description	QTY
1	23880.11	MINI CONTROLS	1
2	42442.04	MINI MOTION CONTROLS BRACKET	1
3	2800243	SCREW	4
4	1291169	OPERATIONAL DECAL	1
5	8402237	LOOM	1
6	8402701	BOX	1
7	1290717	DECAL	1

7146710 - HEAD ANGLING MODULE



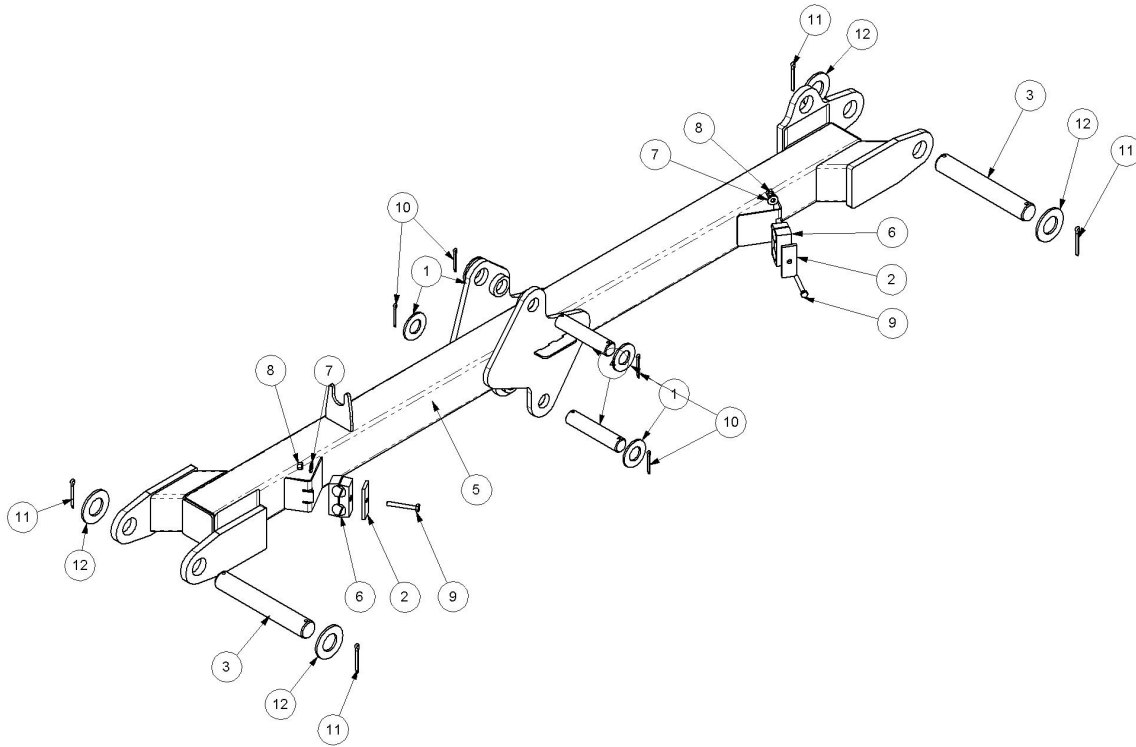
Ref	Part No	Description	QTY
1	0100107	WASHER	2
2	05.281.18	WASHER	2
3	0901121	GREASER	1
4	21999.01	SLAVE LINK	1
5	22000.01	RADIUS ARM	2
6	22003.01	PIN	1
7	41690.01	BUSH	2
8	9501326	PIN	2
9	9501406	PIN	2

7146711 - STABILIZER MODULE



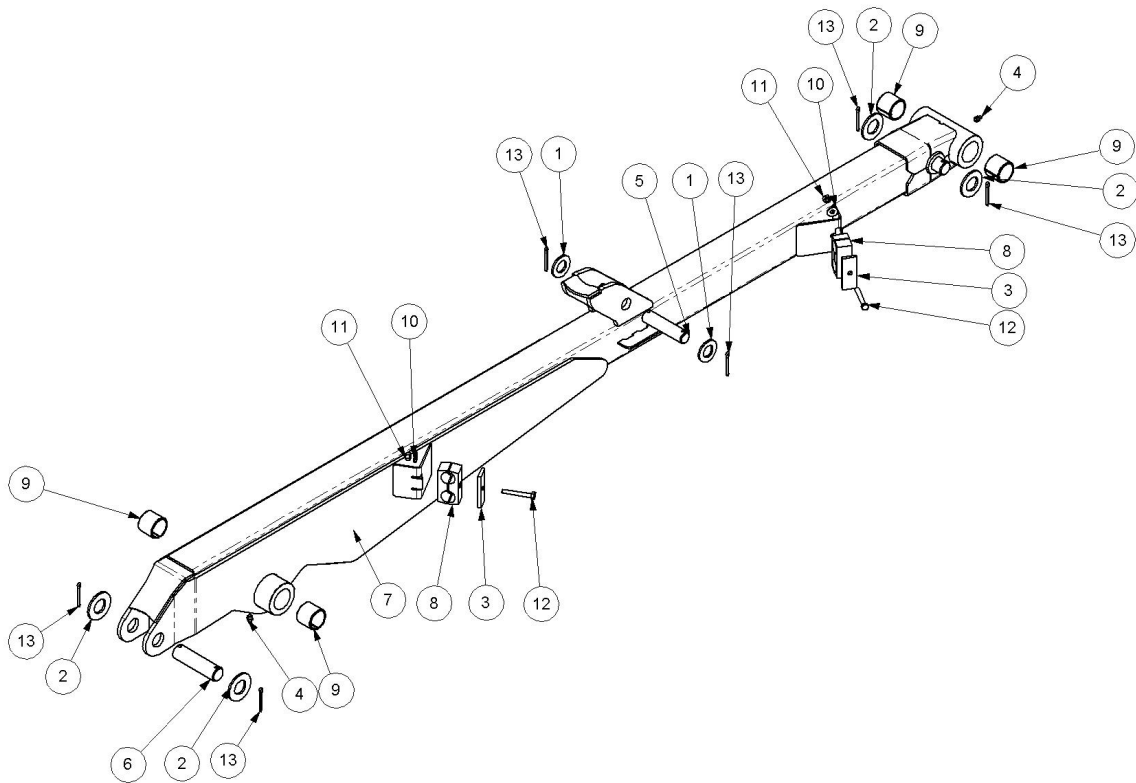
Ref	Part No	Description	QTY
1	42366.06	STABILIZER	2
2	42366.07	STABILIZER	2
3	9163007	NUT	4
4	9213107	BOLT	4

7146717 - MAIN ARM MODULE



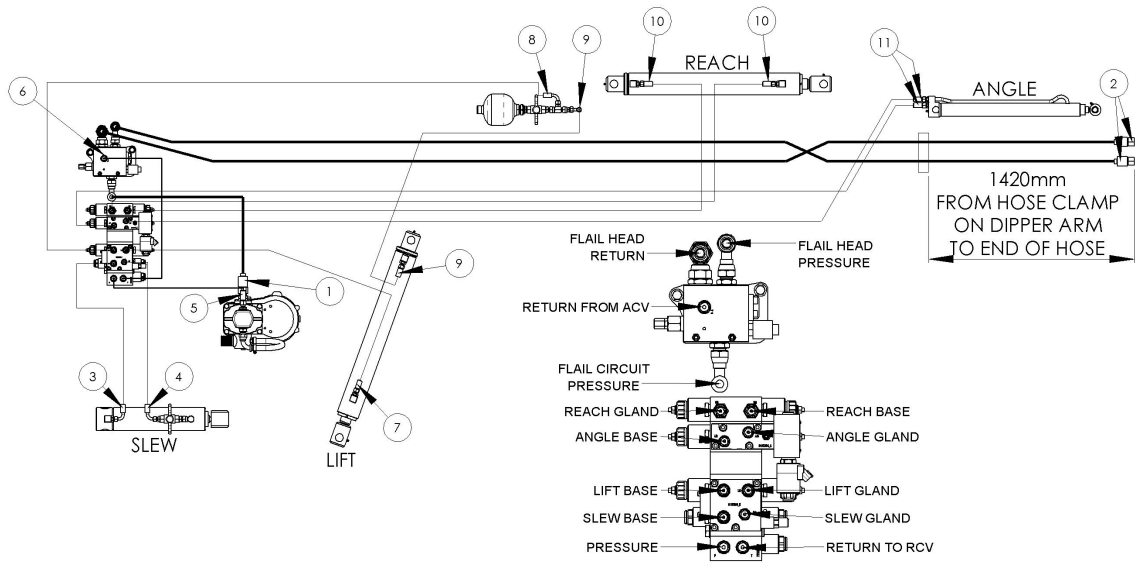
Ref	Part No	Description	QTY
1	0100115	WASHER	4
1	05.281.18	WASHER	4
2	7198093	PLATE	2
3	22001.01	PIN	2
4	22002.03	PIN	2
5	42344.10	MAIN ARM -RH	1
6	7198077	CLAMP	2
7	9100104	WASHER	2
8	9163004	NUT	2
9	9213124	BOLT	2
10	9501406	PIN	4
11	9501507	PIN	4

7146719 - DIPPER ARM MODULE



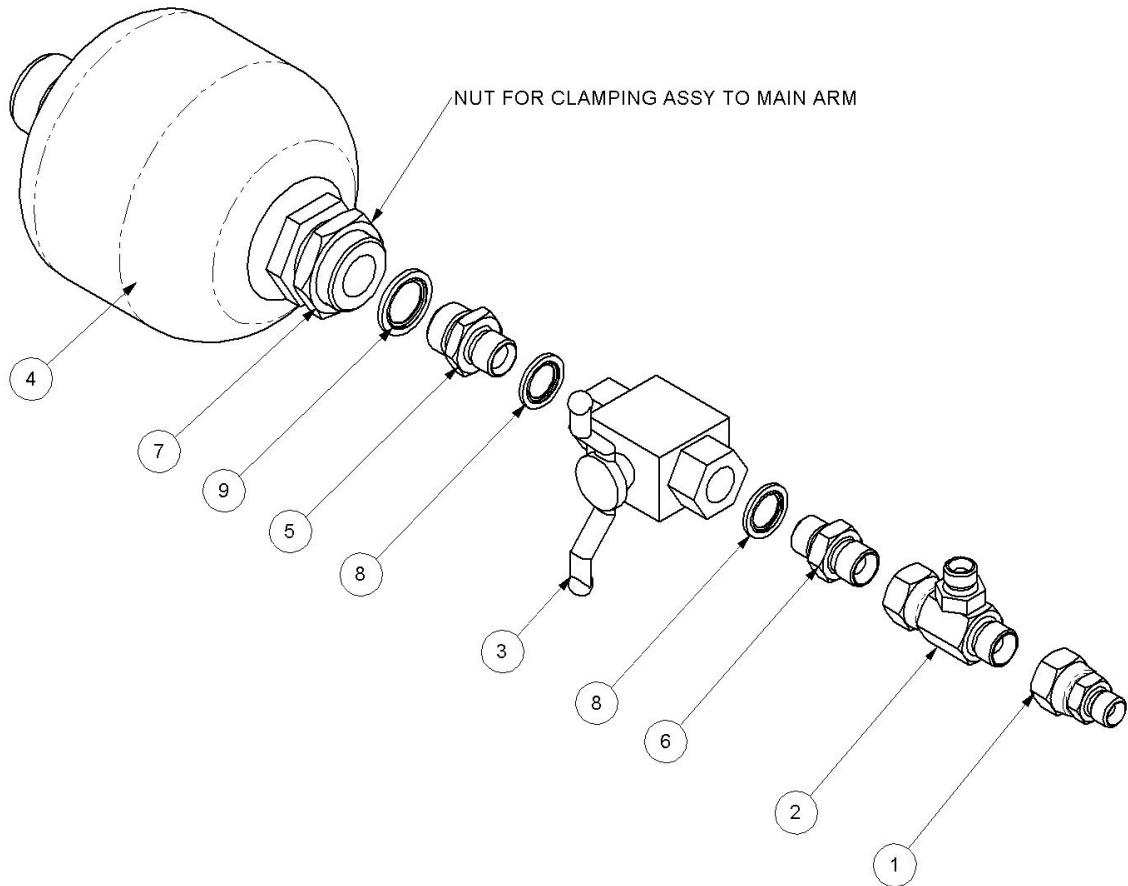
Ref	Part No	Description	QTY
1	0100109	WASHER	2
2	05.281.18	WASHER	4
3	7198093	PLATE	2
4	0901121	GREASER	2
5	22002.01	PIN	1
6	22002.02	PIN	1
7	42345.05	DIPPER ARM	1
8	7198077	CLAMP	2
9	7213023	BUSH	4
10	9100104	WASHER	2
11	9163004	NUT	2
12	9213124	BOLT	2
13	9501406	PIN	6

714672250 - HOSE KIT



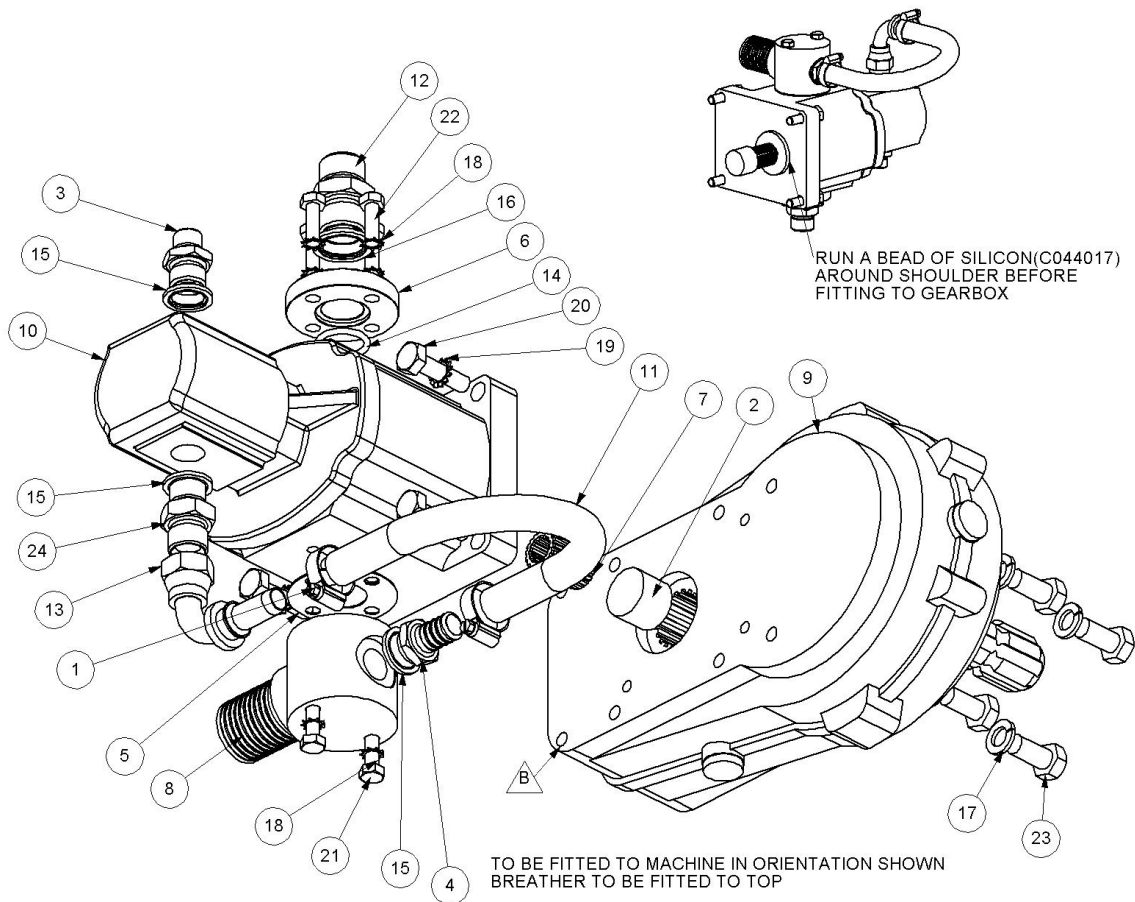
Ref	Part No	Description	QTY
1	10.010.12	HOSE	1
2	10.009.69	HOSE	2
3	10.002.14	HOSE	1
4	10.002.16	HOSE	1
5	10.003.10	HOSE	1
6	10.003.14	HOSE	1
7	10.001.28	HOSE	1
8	10.002.24	HOSE	1
9	10.002.17	HOSE	1
10	10.001.34	HOSE	2
11	10.001.48	HOSE	2

7146723 - LIFT FLOAT ASSY



Ref	Part No	Description	QTY
1	02.714.10	ADAPTOR	1
2	04.056.16	ADAPTOR	1
3	08.200.01	VALVE	1
4	41451.02	ACCUMULATOR	1
5	6000112	ADAPTOR	1
6	6000113	ADAPTOR	1
7	8126035	NUT	1
8	8650103	SEAL	3
9	8650104	SEAL	1

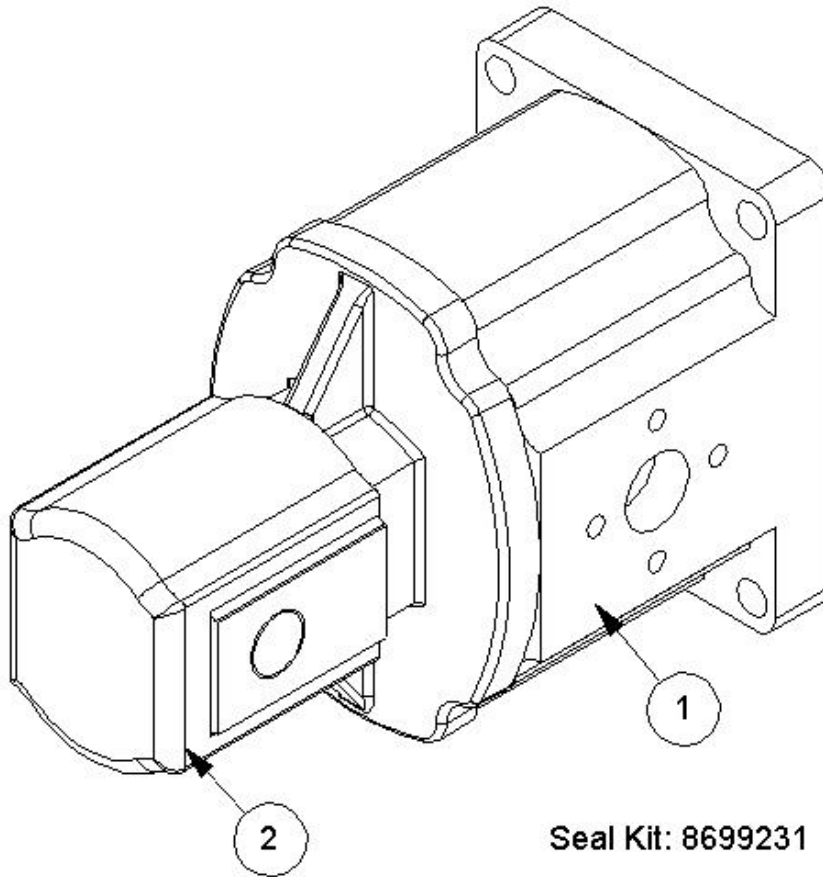
7146729 - PUMP & GEARBOX



Ref	Part No	Description	QTY
1	0904204	CLIP	2
2	42415.01	SPACER	1
3	6000112	ADAPTOR	1
4	8002059	CONNECTION	1
5	8013023	GASKET	1
6	8013088	FLANGE	1
7	8013097	ADAPTOR	1
8	8013098	CONNECTION	1
9	8013536	GEARBOX 3.80 :1 RATIO	1
10	8201466	PUMP	1
11	8501099	HOSE	1
12	8581136	ADAPTOR	1
13	8581173	ELBOW	1
14	8600119	"O" RING	1
15	8650104	SEAL	3
16	8650106	SEAL	1
17	9100206	WASHER	4
18	9100404	WASHER	6
19	9100405	WASHER	4

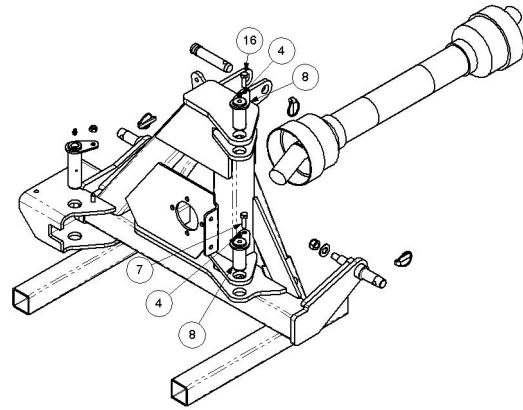
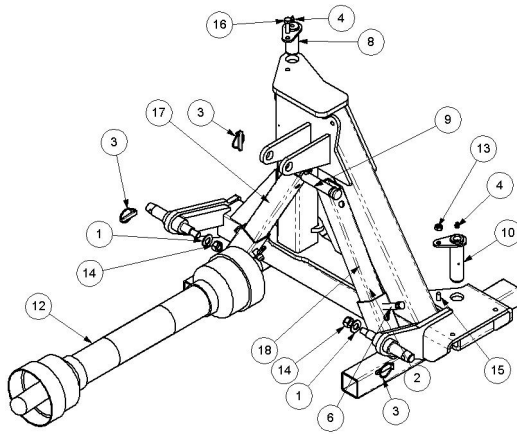
Ref	Part No	Description	QTY
20	9213085	BOLT	4
21	9213144	BOLT	2
22	9313054	SCREW	4
23	9313056	SCREW	4
24	G3812120	ADAPTOR	1

8201466 - PUMP



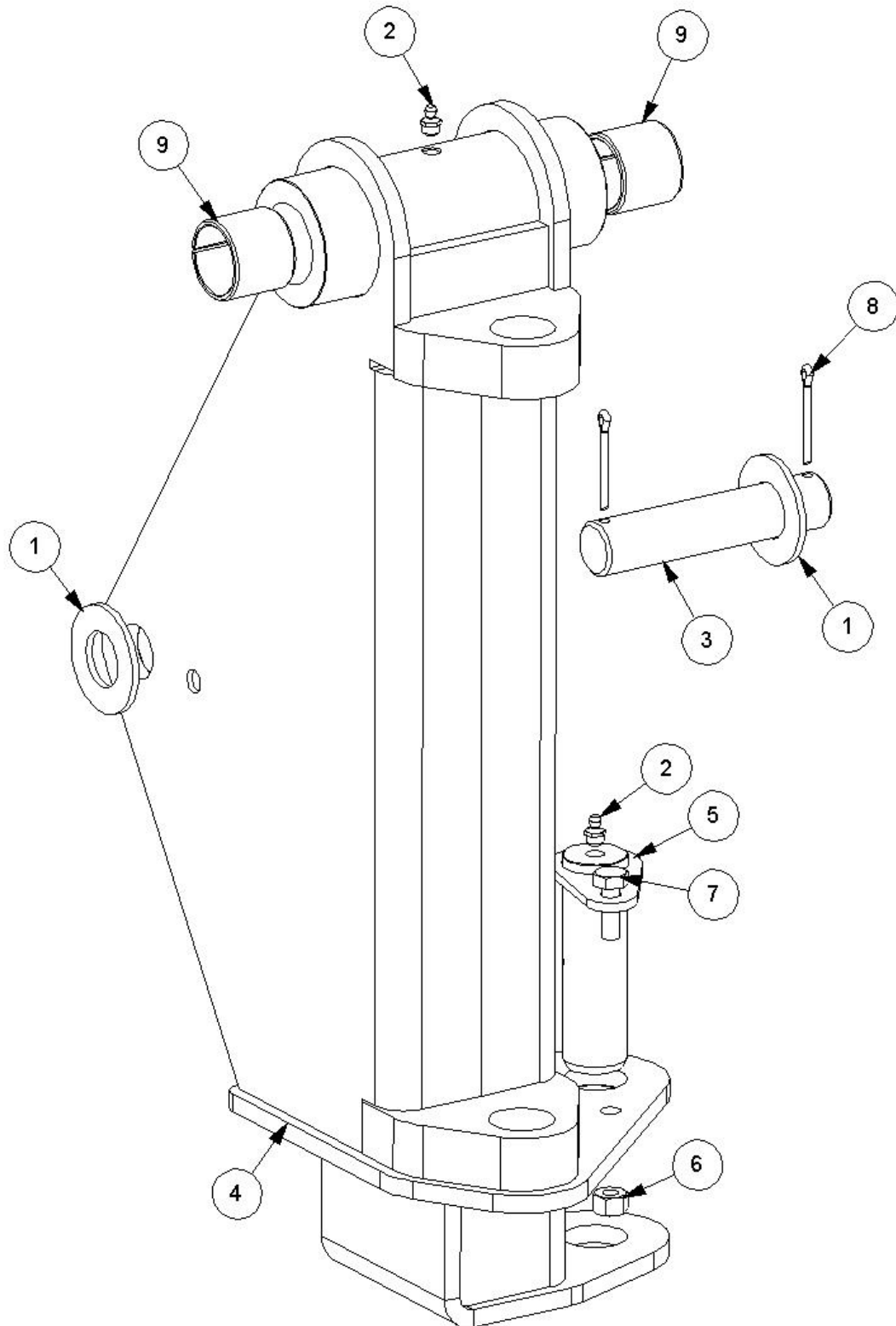
Ref	Part No	Description	QTY
1	8201684	HYD PUMP F-HALF	1
2	8201677	PUMP REAR - 8201466	1
3	8699231	SEAL KIT	0

7146731 - MAIN FRAME MODULE



Ref	Part No	Description	QTY
1	0100106	WASHER	2
2	0431105	PIN	2
3	0431217	LINCH PIN	3
4	0901121	GREASER	3
6	21997.01	PIN	2
7	22038.02	MAINFRAME	1
8	22040.01	PIN	2
9	41267.06	PIN	1
10	45202.01	PIN	1
12	7114289	PTO SHAFT	1
13	9163005	NUT	3
14	9163007	NUT	2
15	9313065	SCREW	1
16	9313075	SCREW	2
17	7198016	LEG	1
18	7198046	LEG -LH	1

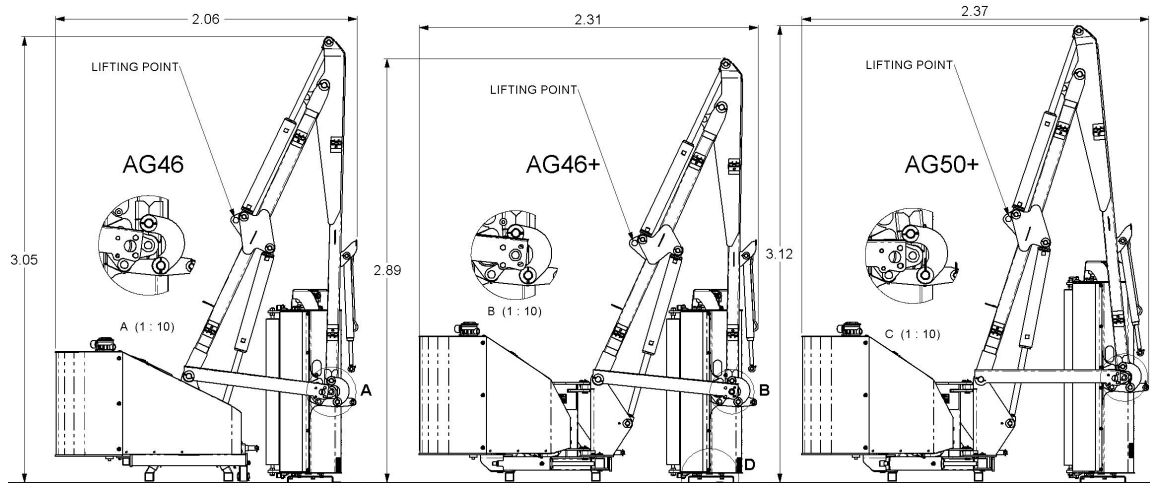
7146733 - PILLAR MODULE



Ref	Part No	Description	QTY
1	05.281.18	WASHER	2
2	0901121	GREASER	2
3	22002.03	PIN	1
4	22039.02	PILLAR	1
5	22040.02	PIN W.A.	1

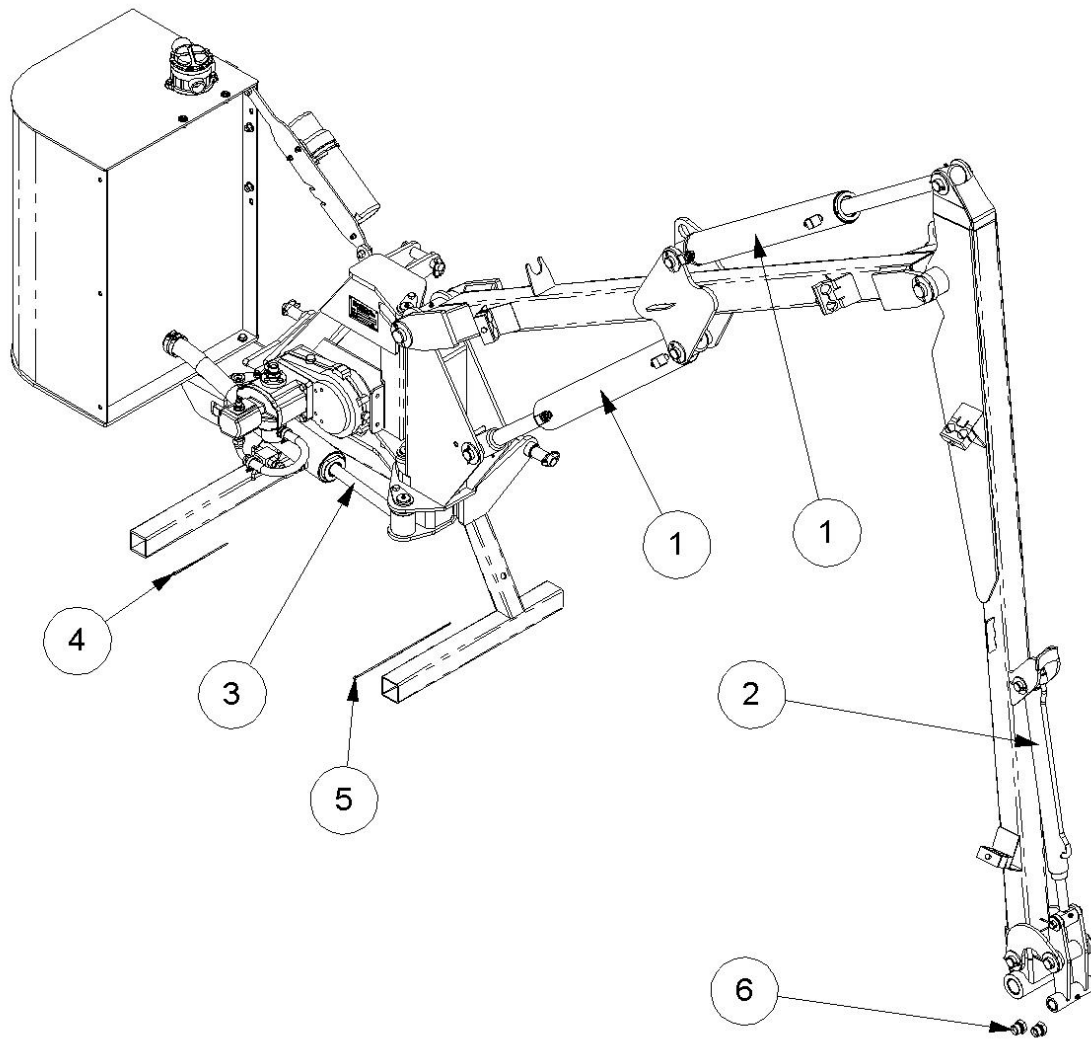
Ref	Part No	Description	QTY
6	9163005	NUT	1
7	9313065	SCREW	1
8	9501406	PIN	2
9	7213023	BUSH	2

7146734 - PACKING MODULE



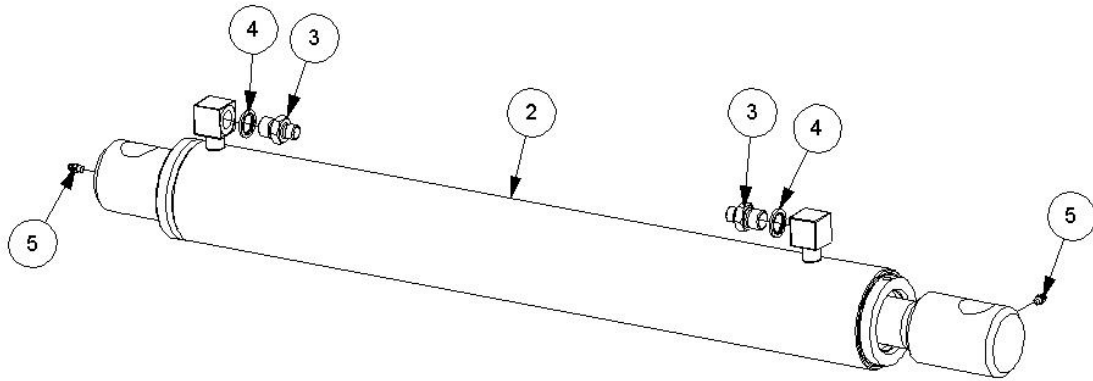
Ref	Part No	Description	QTY
1	22395.01	STAND	1
2	22395.02	PACKING STRAP	1
3	9100105	WASHER	4
4	T7942	NUT	3

7146738 - HYD INST



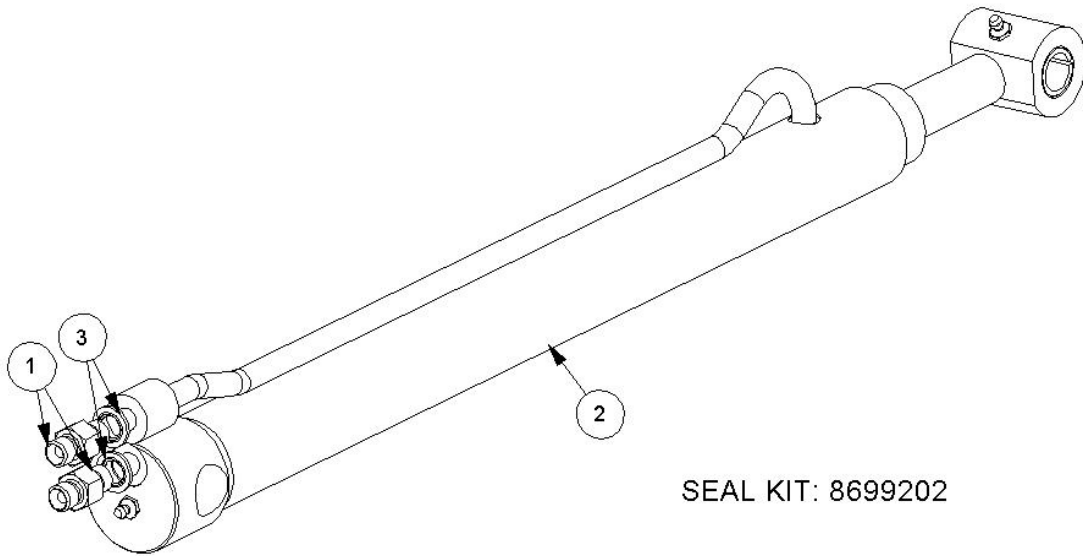
Ref	Part No	Description	QTY
1	22006.01	RAM	2
2	7191072	RAM	1
3	45288.07	RAM	1
4	7135084	HOSE TIE	10
5	7196045	HOSE TIE	20
6	05.313.01	ADAPTOR	2

22006.01 - RAM



Ref	Part No	Description	QTY
1	48079.25	SEAL KIT	0
2	48079.01	RAM ASSY	1
2	48079.01P	PAINTED RAM	0
3	8581115	ADAPTOR	2
4	8650103	SEAL	2
5	0901161	GREASER	2

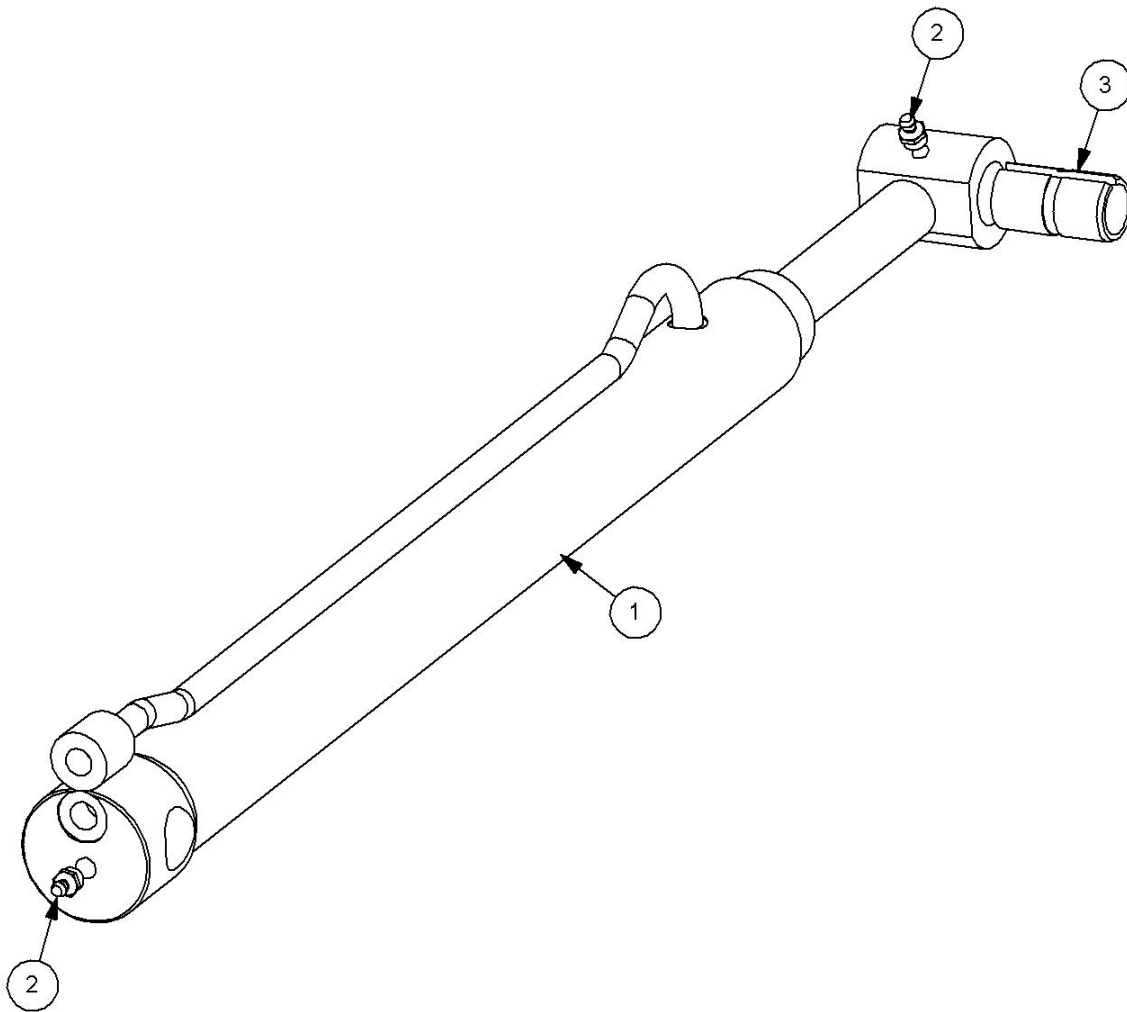
7191072 - RAM



SEAL KIT: 8699202

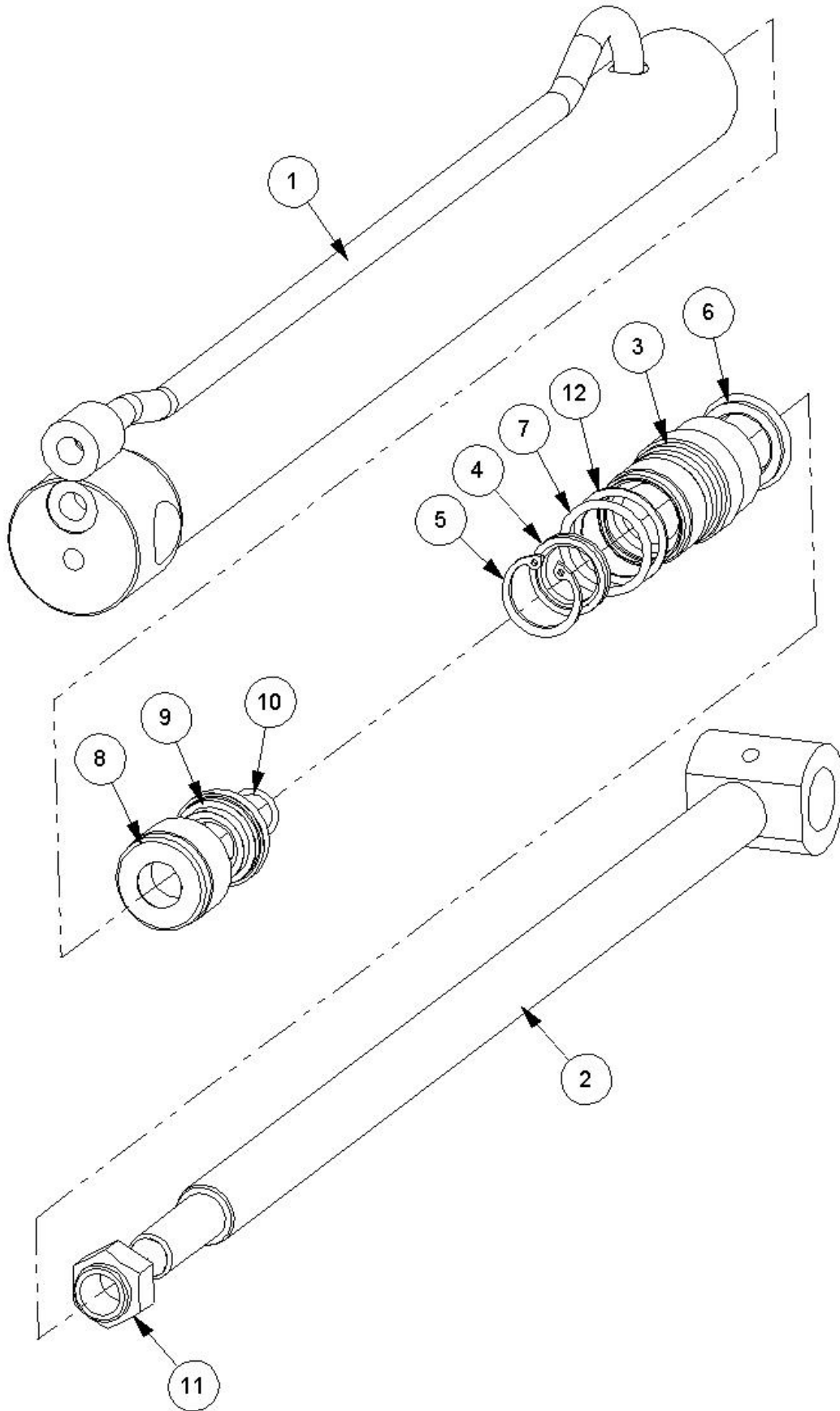
Ref	Part No	Description	QTY
1	8130037	RESTRICTOR	2
2	7191295	RAM	1
3	8650102	SEAL	2
4	8699202	SEAL KIT	0

7191295 - RAM



Ref	Part No	Description	QTY
1	7191295AP	RAM	1
1	7191295P	RAM -PAINTED	0
1	8699202	SEAL KIT	0
12	0901121	GREASER	2
13	1130002	BUSH	1

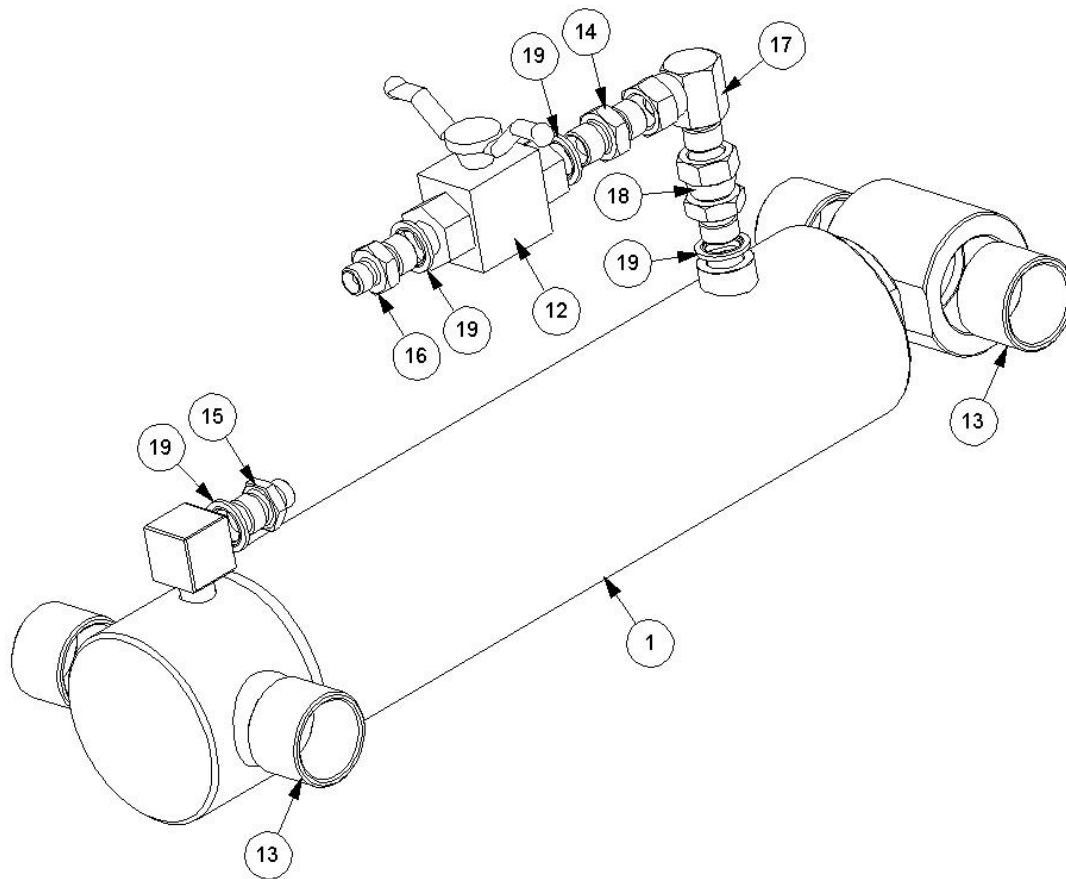
7191295AP - RAM



Ref	Part No	Description	QTY
1	7191296	BARREL	1

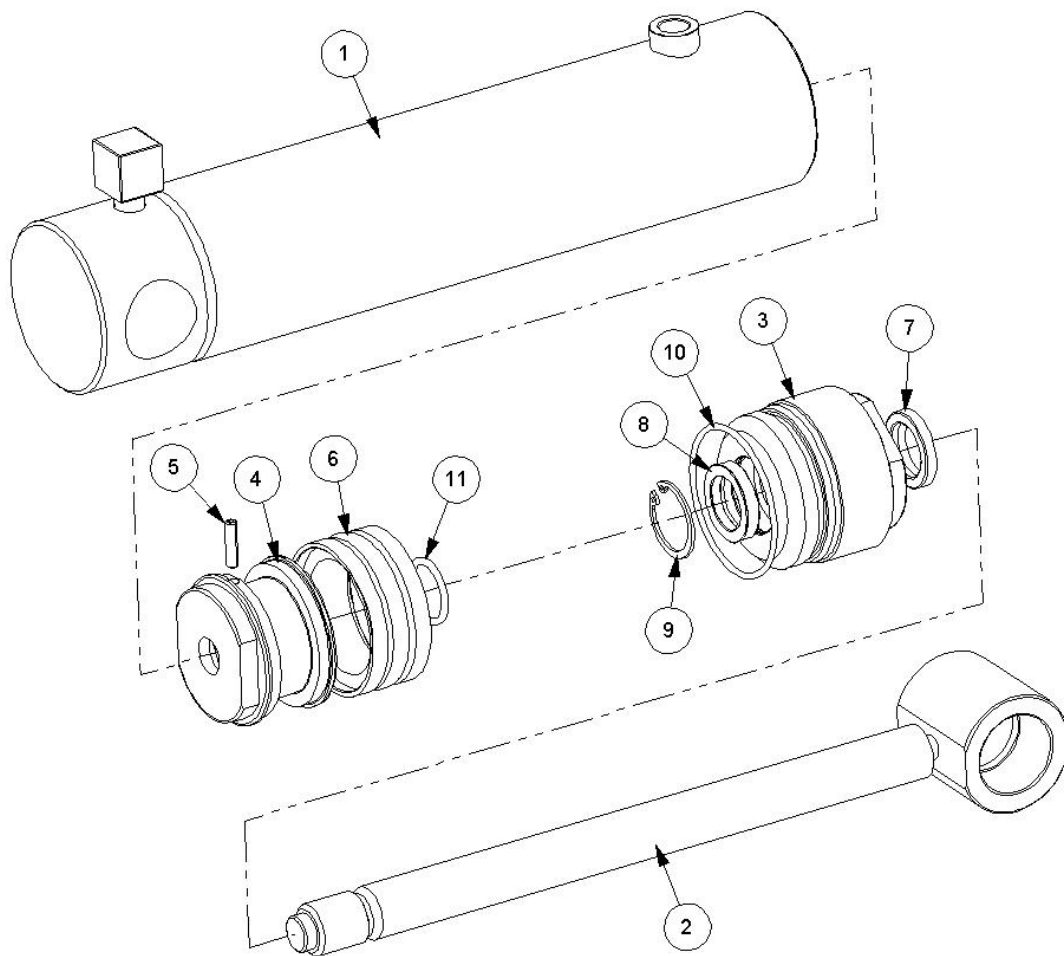
Ref	Part No	Description	QTY
2	1090031	PISTON ROD	1
3	1090273	HOUSING	1
4	8629162	SEAL	1
5	0411234	CIRCLIP	1
6	8629161	SEAL	1
7	8600124	O-RING	1
8	1090034	USE 1130034	2
9	8629160	SEAL	1
10	8600112	O RING	1
11	0141007	NUT	1
12	8609124	AE RING	1

45288.07 - RAM



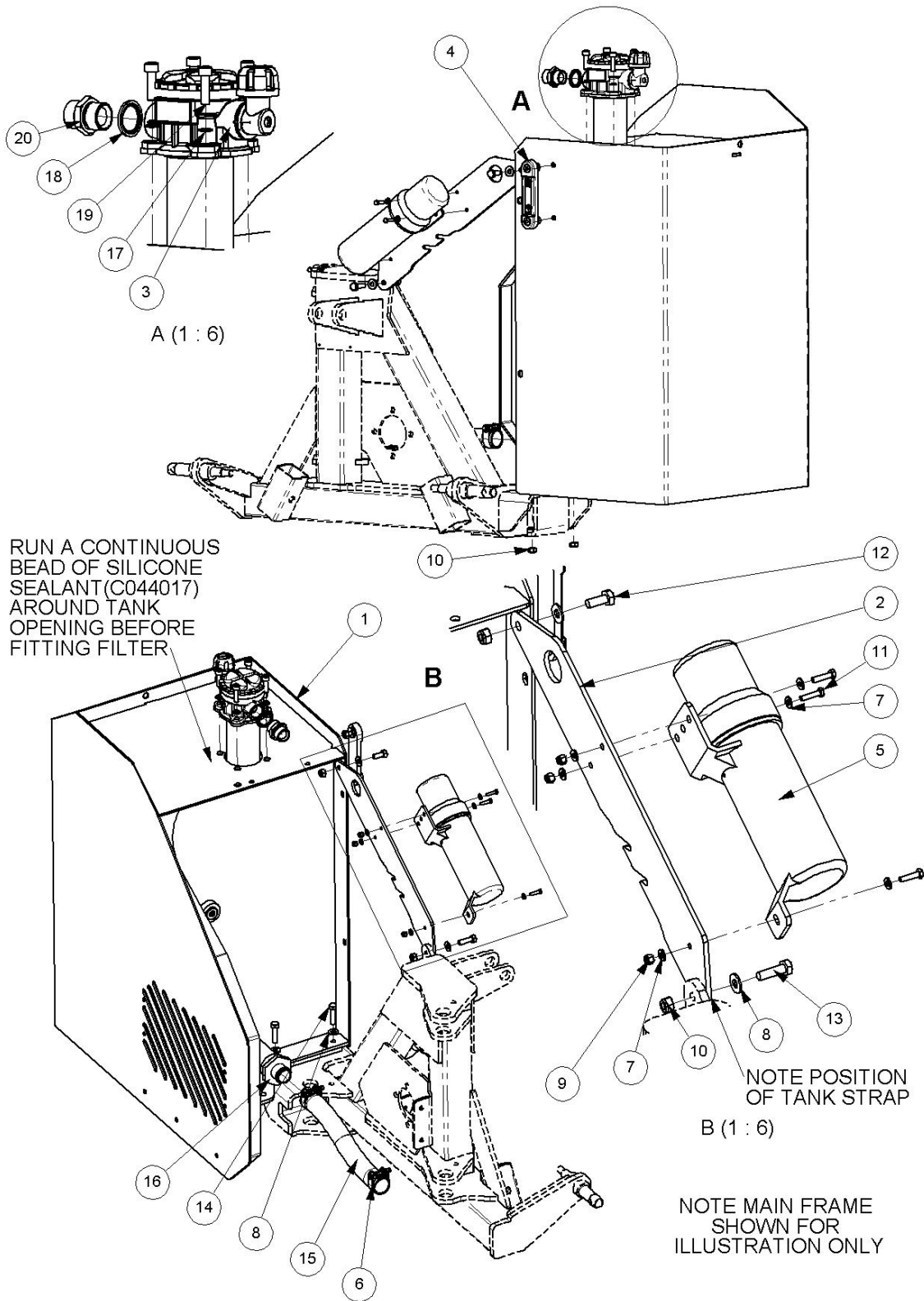
Ref	Part No	Description	QTY
1	45288.05AP	RAM	1
1	45288.05P	RAM -PAINTED	0
12	08.200.01	VALVE	1
13	08.297.05	BUSH	4
14	6000113	ADAPTOR	1
15	8130066	RESTRICTOR	1
16	8581115	ADAPTOR	1
17	8581117	CONNECTOR	1
18	8581178	ADAPTOR	1
19	8650103	SEAL	4

45288.05AP - RAM



Ref	Part No	Description	QTY
1	45273.05	BARREL	1
2	45275.01	PISTON ROD	1
3	45283.01	HOUSING	1
4	45276.01	PISTON	1
5	42775.01	DOWEL	1
6	8638740	SEAL	1
7	8629149	SCRAPER RING	1
8	8629148	SEAL	1
9	0416240	CIRCLIP	1
10	8700740	"O" RING	1
11	8600121	"O" RING	1

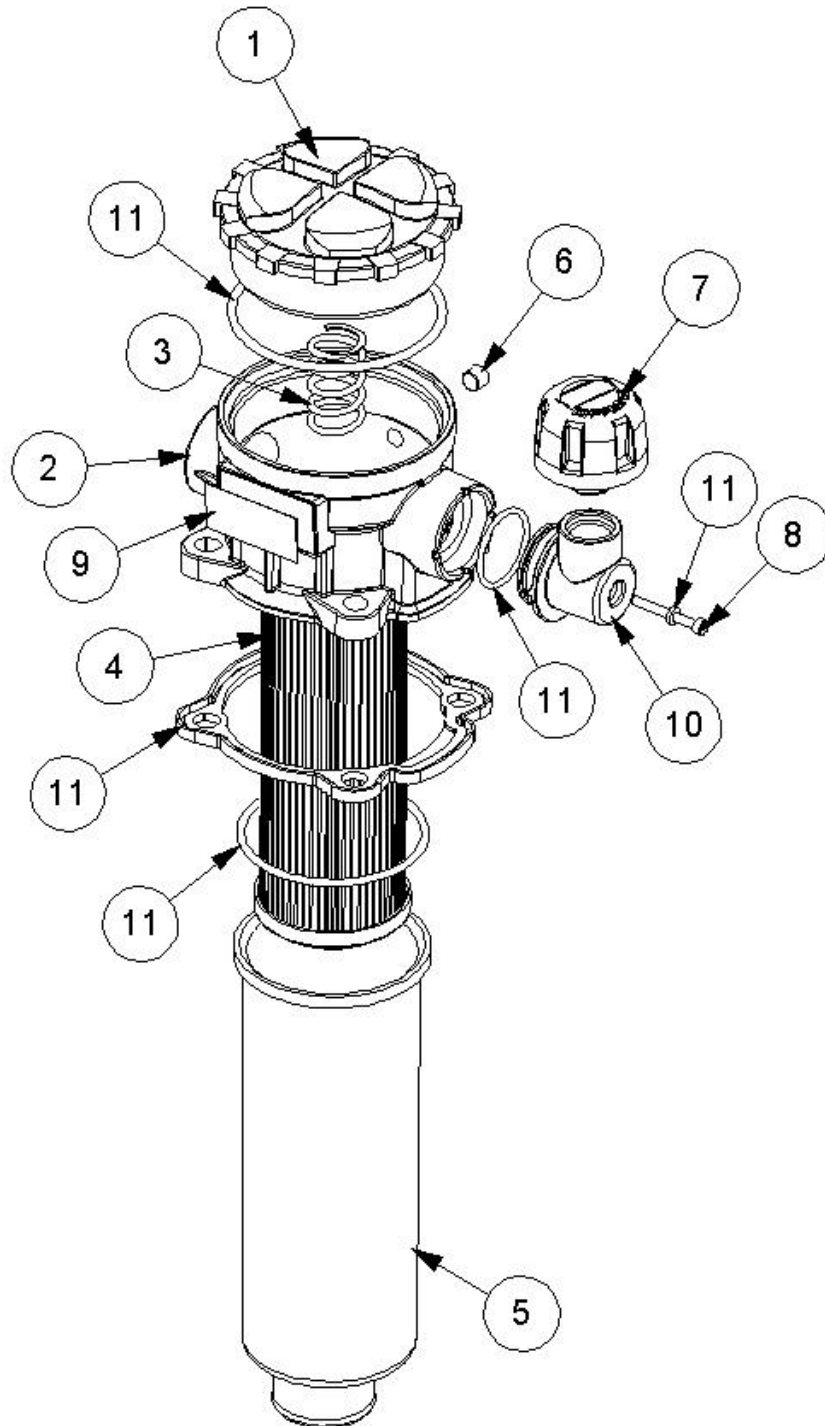
7146786 - RH TANK MODULE



Ref	Part No	Description	QTY
1	21991.06	RH TANK	1
2	21993.02	TANK STRAP	1
3	8401168	FILTER	1
4	8401048	GAUGE	1
5	46505.01	HOLDER	1

Ref	Part No	Description	QTY
6	0907051	HEAVY DUTY HOSE CLAMP	2
7	9100103	WASHER	6
8	9100105	WASHER	4
9	9163003	NUT	3
10	9163005	NUT	4
11	9313053	SCREW	3
12	9313055	SCREW	1
13	9313075	SCREW	1
14	9313095	SETSCREW	2
15	8501473	SUCTION HOSE	1
16	8401170	STRAINER	1
17	8650310	SEAL	4
18	8650108	SEAL	1
19	9343075	SCREW	4
20	05.434.01	ADAPTOR	1

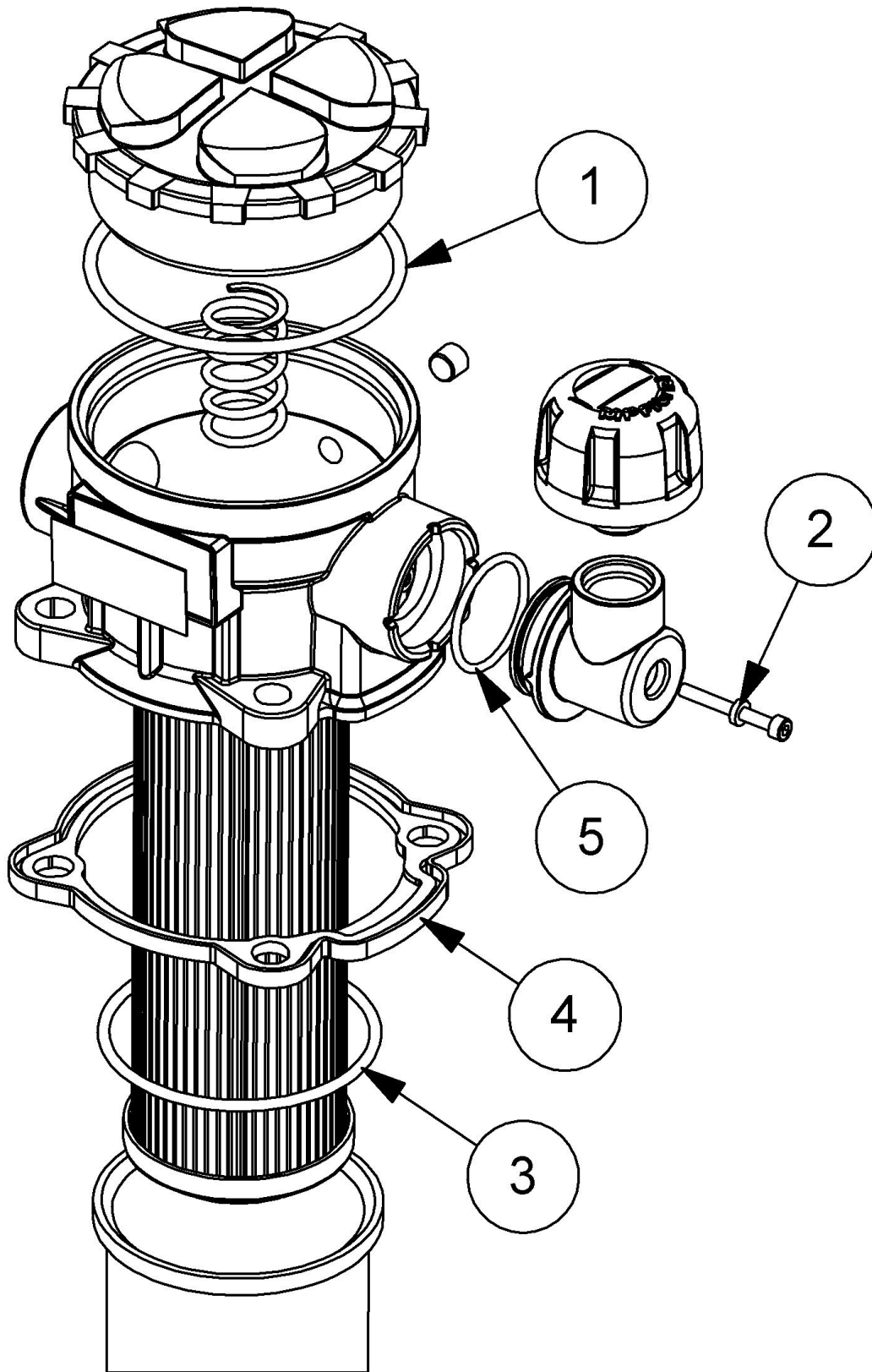
8401168 - FILTER



Ref	Part No	Description	QTY
1	212.013.04	FILLER CAP	1
2	8401187	HOUSING	1
3	8401158	FILTER SPRING	1
4	8401164	USE 8401095	1
5	8401165	FILTER BOWL	1

Ref	Part No	Description	QTY
6	8401166	FILTER GRUB SCREW	1
7	8401182	BREATHER CAP+FILTER	1
8	8401184	CAP SCREW	1
9	8401167	IDENTIFICATION PLATE	1
10	8401183	ELBOW	1
11	8699294	FILTER SEAL KIT	0

8699294 - FILTER SEAL KIT

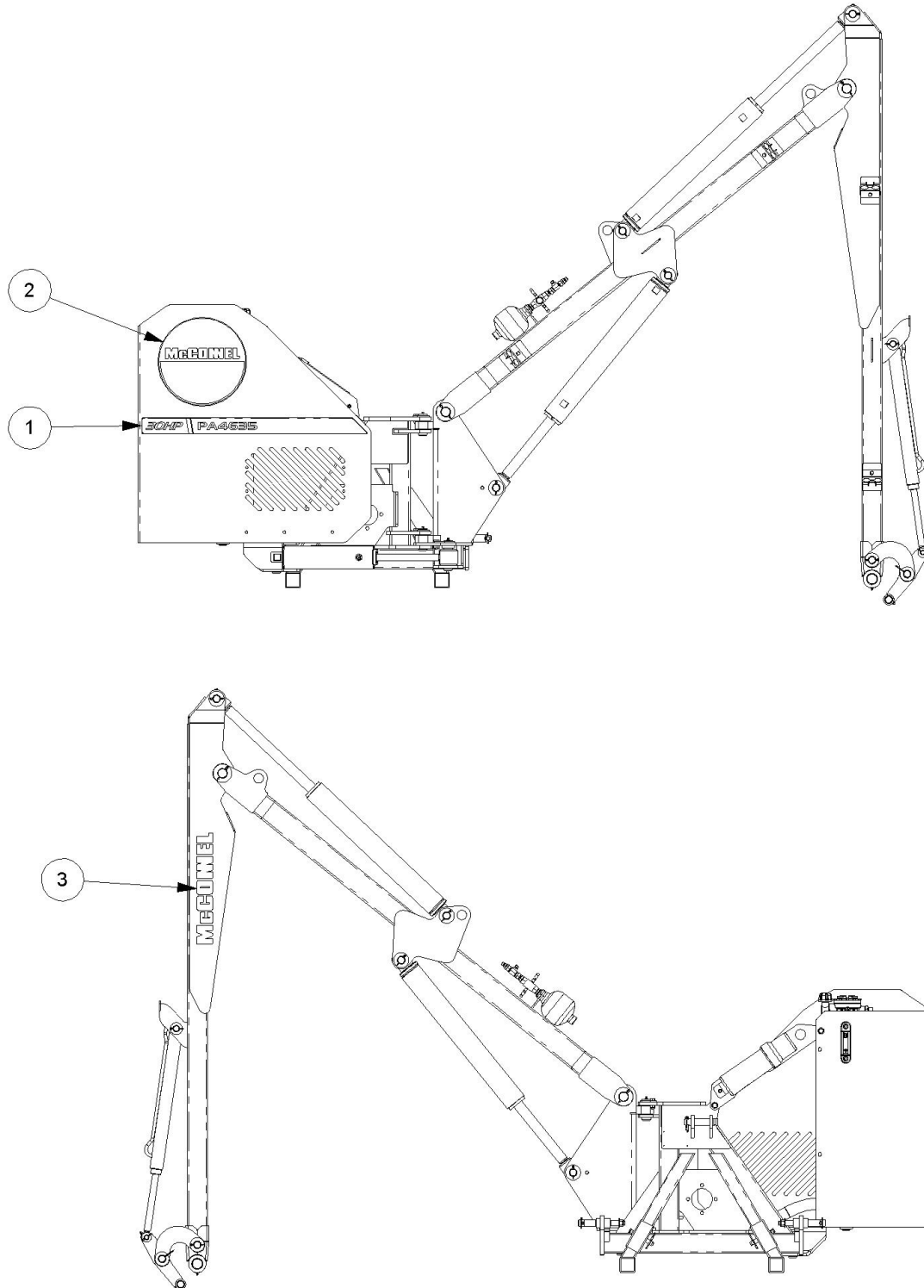


Ref	Part No	Description	QTY
1	8700092	O RING	1
2	8401186	CAP SCREW SEAL	1
3	8700235	O RING	1
4	8401188	SEAL NOT AVAILABLE USE 8699294	1

Ref	Part No	Description	QTY
5	8401185	ORING SEAL	1

7146793 - DECALS KIT-PA4635-30

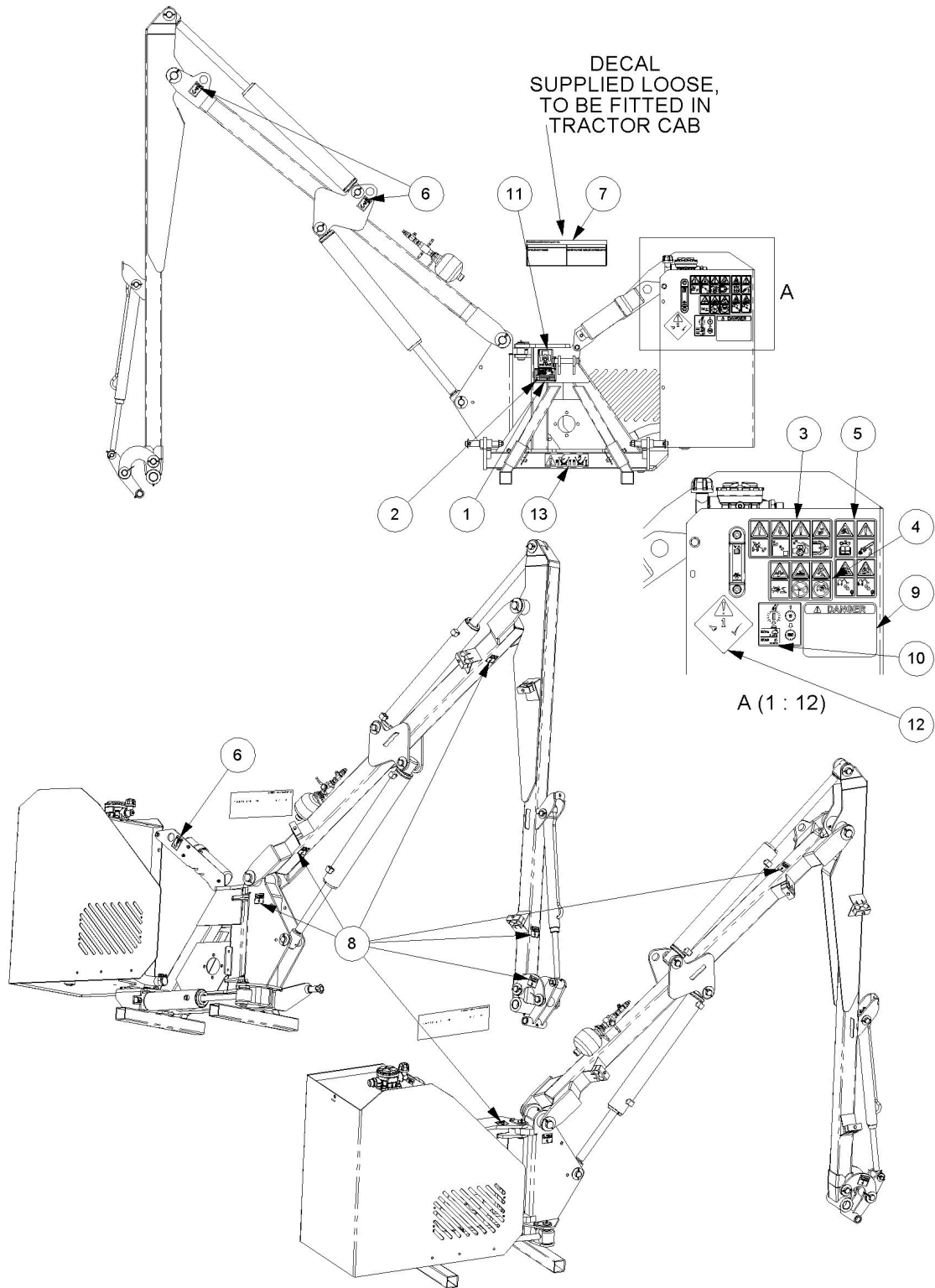
RH



Ref	Part No	Description	QTY
1	1291306	DECAL-PA4635-30 RH	1
2	1291212	DECAL - MCCONNEL ROUNDEL 350MM	1

Ref	Part No	Description	QTY
3	1290614	DECAL	1

7146795 - DECALS KIT- WARNINGS/INST'NS

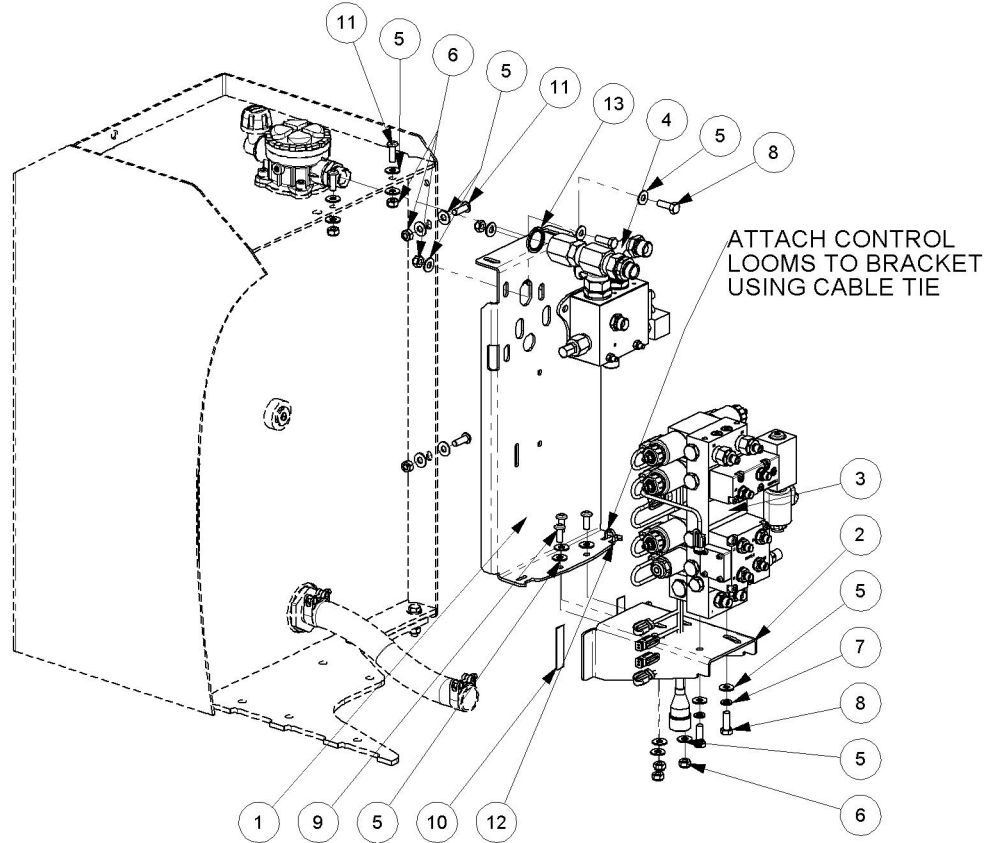


Ref	Part No	Description	QTY
1	1335246	SERIAL No. PLATE	1
2	7103230	RIVET	4
3	09.821.28	DECAL	1

Ref	Part No	Description	QTY
4	09.821.32	DECAL	1
5	09.821.35	DECAL	1
6	09.843.05	DECAL	3
7	1290352	DECAL	1
8	02962764	DECAL	7
9	00756494	DECAL	1
10	1290774	DECAL	1
11	23832.01	DECAL-540 PTO MAX CW	1
12	7105130	DECAL	1
13	7135295	DECAL	1

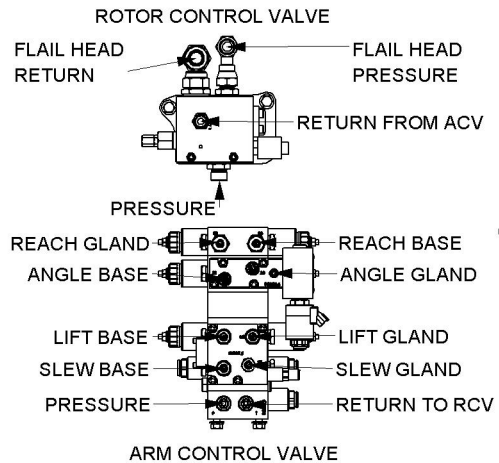
7146799 - RH PROP ACV-ON/OFF ERCV ASSY

NOTE TANK SHOWN FOR ILLUSTRATION ONLY



ASSEMBLY OF VALVES TO TANK.

1. ATTACH ROTOR CONTROL VALVE TO MOUNTING BRACKET 21992.11 AND TIGHTEN FASTENERS TO A POINT AT WHICH THE VALVE IS NOT LOOSE, BUT IT WILL SLIDE UP AND DOWN.
2. ATTACH THIS ASSEMBLY TO THE TANK WITH FASTENERS, AGAIN TIGHTENING THEM TO A POINT AT WHICH THE COMPLETE ASSEMBLY WILL STILL SLIDE.
4. CONNECT THE ELBOW ON THE ROTOR CONTROL VALVE TO THE RETURN FILTER AND TIGHTEN.
5. TIGHTEN TILL LOCKED, ALL FASTENERS HOLDING THE 21992.11 BRACKET TO THE TANK.
6. TIGHTEN THE ROTOR CONTROL VALVE FASTENERS TILL LOCKED.
7. FIT DOUBLE SIDE TAPE TO THE ARM CONTROL VALVE BRACKET (21992.12). ATTACH TO BRACKET(21922.11) , TIGHTENING FASTENERS TO A POINT AT WHICH VALVE BRACKET (21992.12) WILL STILL SLIDE.
8. REMOVE BACKING FROM DOUBLE SIDED TAPE AND SLIDE BRACKET FIRMLY UP AGAINST TANK AND FULLY TIGHTEN FASTENERS.
9. BOLT ARM CONTROL VALVE TO BRACKET 21992.12

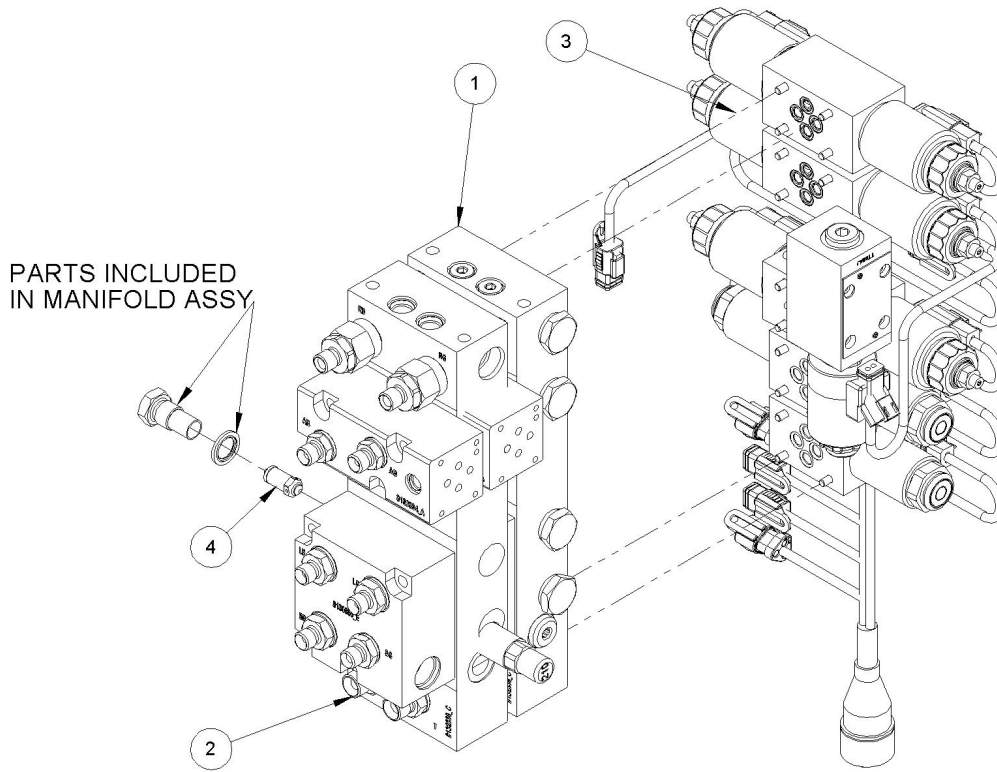


Ref	Part No	Description	QTY
1	21992.11	RH VALVE MTG	1
2	21992.12	RH ELEC ACV MTG BRKT	1
3	7146789	PROP(NO ACB)ACV ASSY-4 BANK	1
4	7146798	ON-OFF ERCV ASSY	1

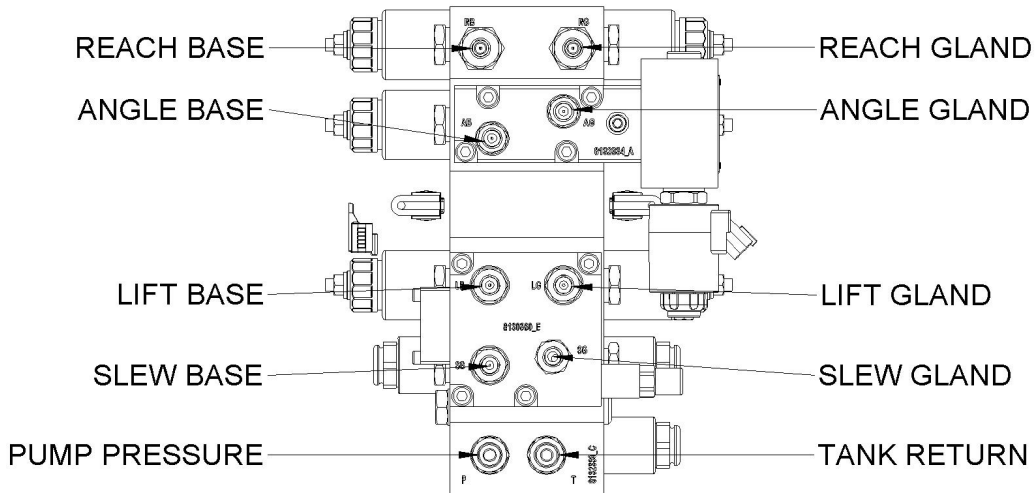
Ref	Part No	Description	QTY
5	9100105	WASHER	20
6	9163005	NUT	9
7	9100205	WASHER	2
8	9313065	SCREW	4
9	9300154	SCREW	3
10	24212.0075	BONDING TAPE	2
11	9300166	SCREW	4
12	7135084	HOSE TIE	1
13	8650108	SEAL	1

7146789 - PROP(NO ACB)ACV

ASSY-4 BANK

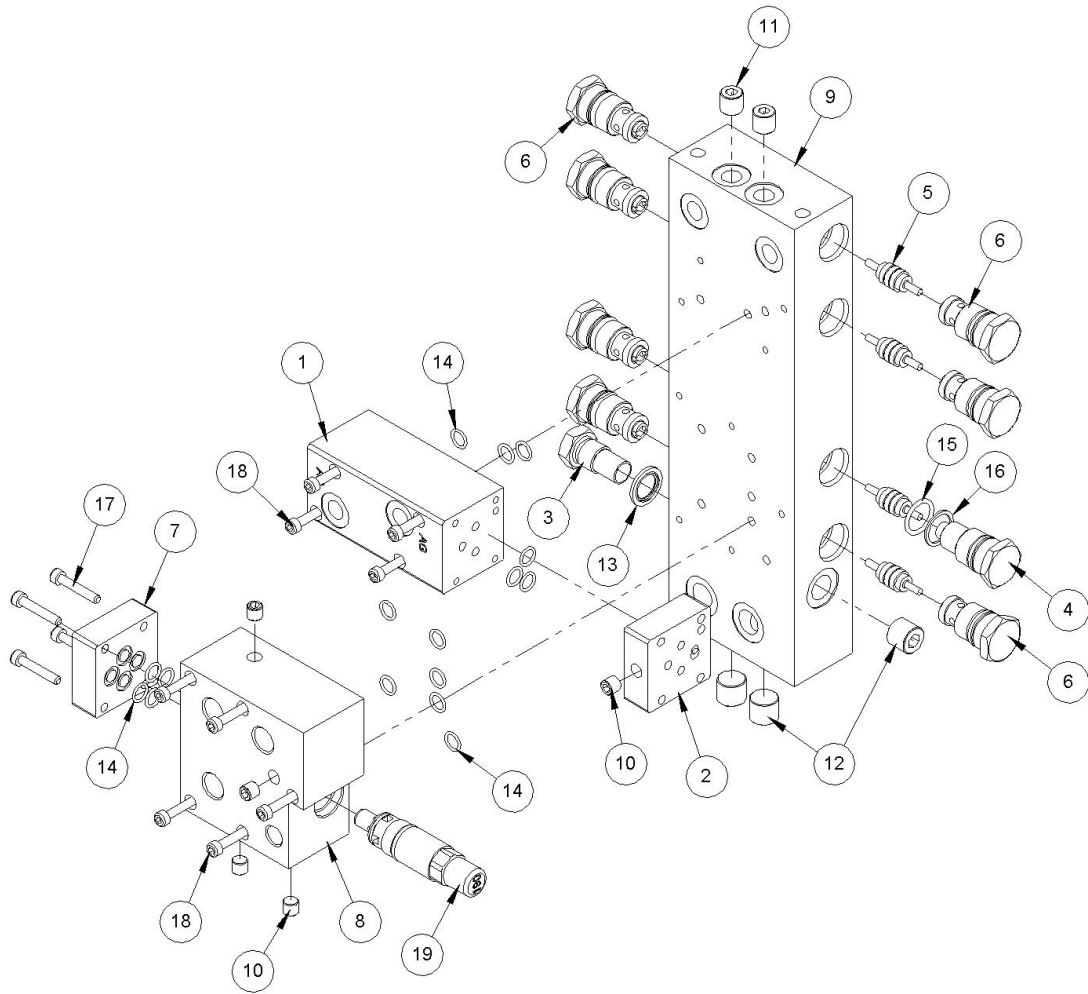


PARTS INCLUDED
IN MANIFOLD ASSY



Ref	Part No	Description	QTY
1	22523.12	MANIFOLD ASSY	1
2	23180.51	ADAPTOR KIT	1
3	22525.20	SOLENOID KIT	1
4	8130092	VALVE	1

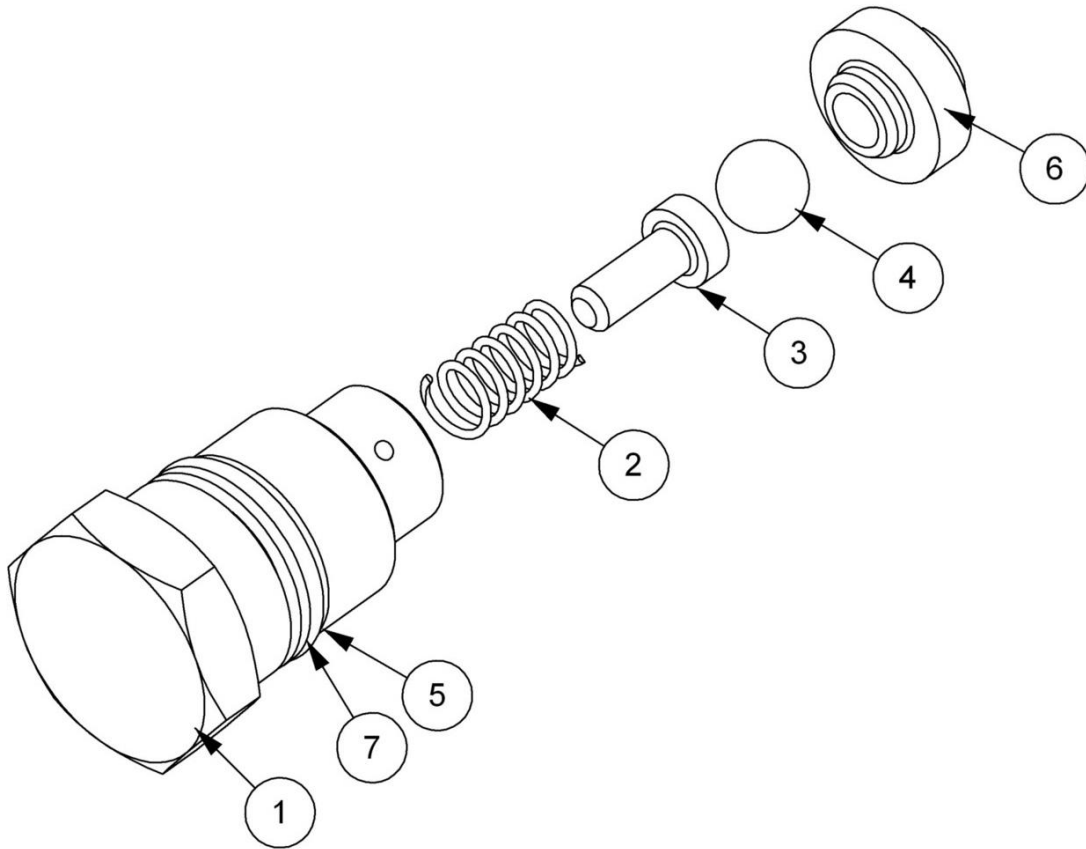
22523.12 - MANIFOLD ASSY



Ref	Part No	Description	QTY
1	8132334	FLOAT BLOCK	1
3	8130032	CAP	1
4	8130209	CAP	1
5	8130087	ACTUATOR	4
6	8130090	VALVE	7
7	8130139	PLATE	1
8	8130360	BLOCK-SLEW CIRCUIT	1
9	8132339	4 BANK MANIFOLD BLOCK	1
10	23242.03	PLUG	2
11	23242.05	PLUG	2
12	8581436	ADAPTOR	1
13	8650103	SEAL	1
14	8700511	"O" RING	10
15	8700644	"O" RING	1
16	8709644	ANTI.EXT.RING	1
17	9243062	SCREW	4

Ref	Part No	Description	QTY
18	9343104	SCREW	8
19	8130145	RELIEF VALVE	1
20	23242.06	PLUG	2
21	8700516	O RING	1
22	8700522	O RING	1
23	8130088	SEAT	1

8130090 - VALVE

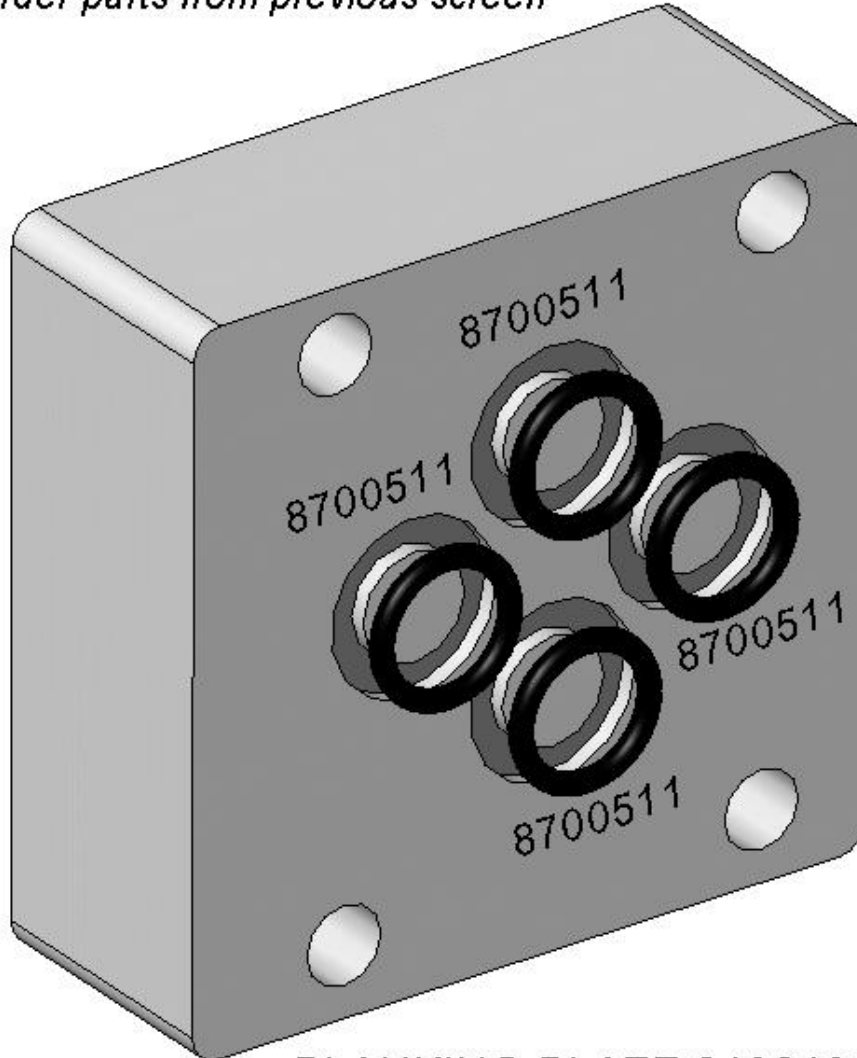


Ref	Part No	Description	QTY
1	8130025	CAP	1
2	8114045	SPRING	1
3	8130089	GUIDE	1
4	0905509	BALL	1
5	8700644	"O" RING	1
6	8130088	SEAT	1
7	8709644	ANTI.EXT.RING	1

8130139 - PLATE

LOCATION & IDENTIFICATION OF 'O' RINGS

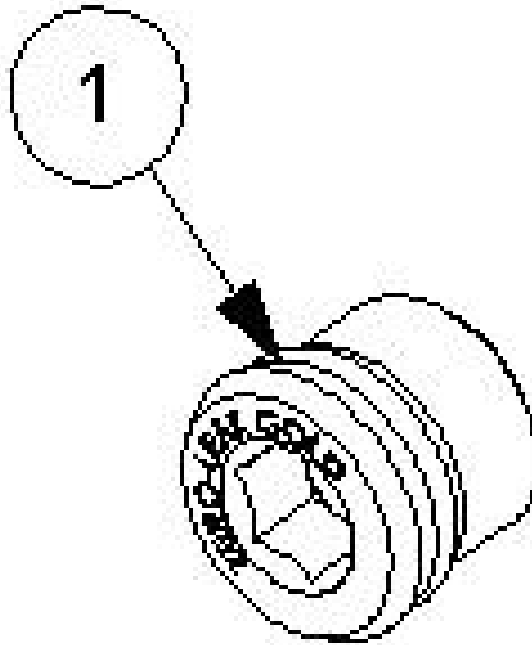
Order parts from previous screen



BLANKING PLATE 8130139

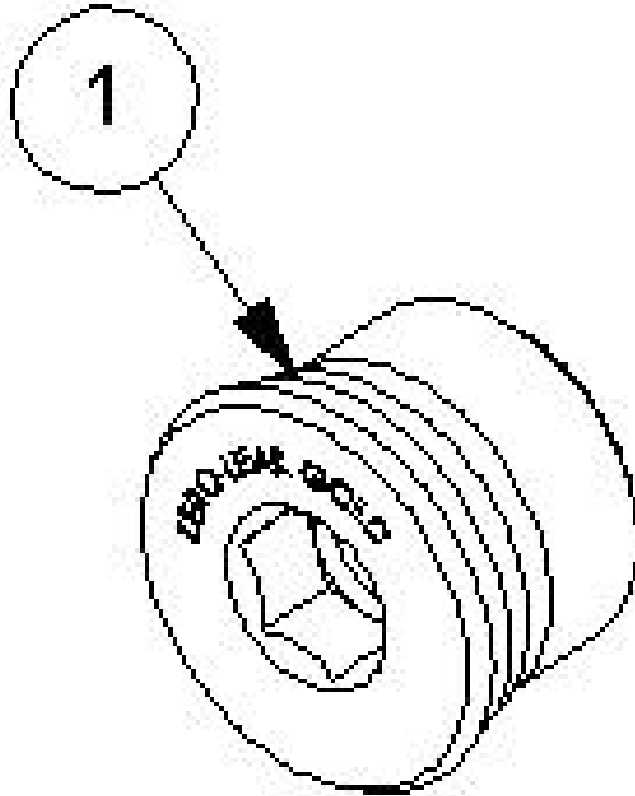
Ref	Part No	Description	QTY
1	G2410620C	CAST STICK	25.004

23242.03 - PLUG



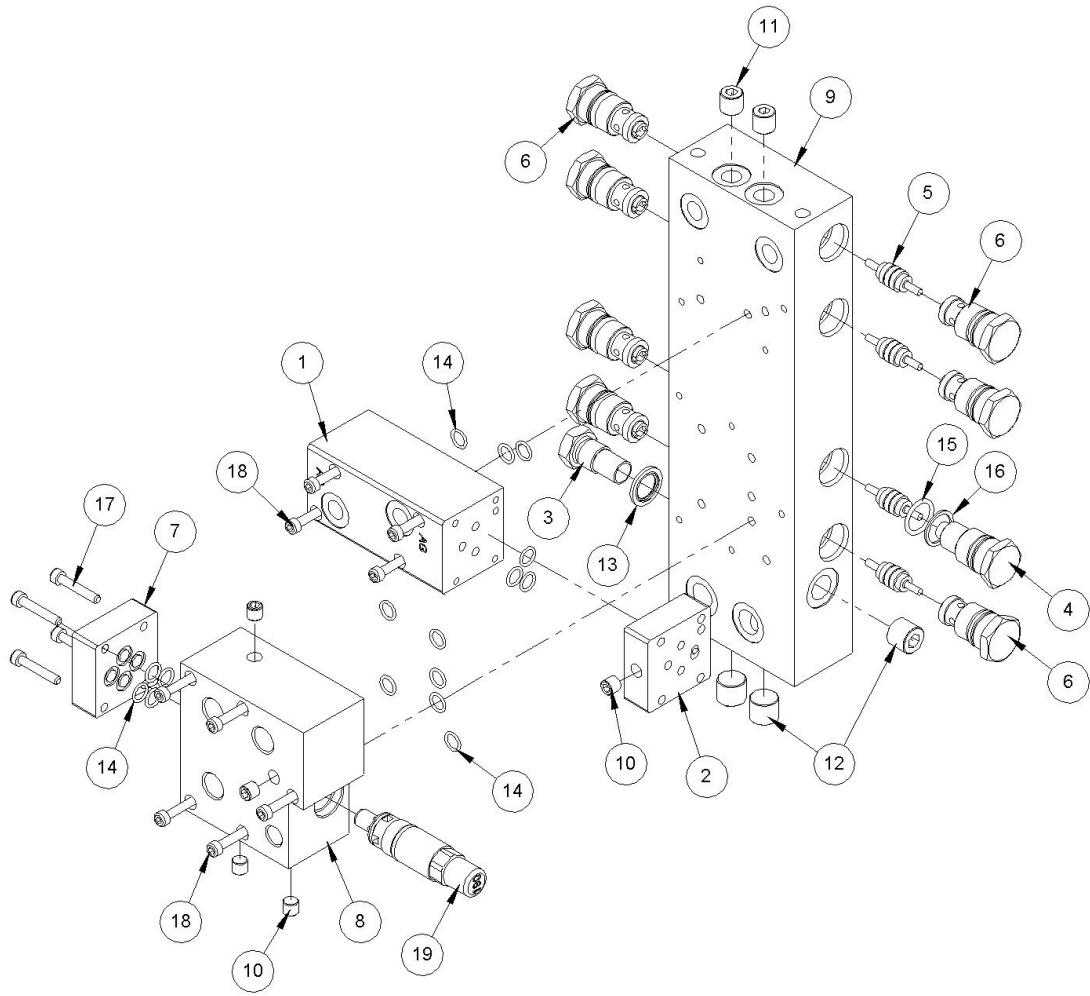
Ref	Part No	Description	QTY
1	8700007	O RING	1

23242.05 - PLUG

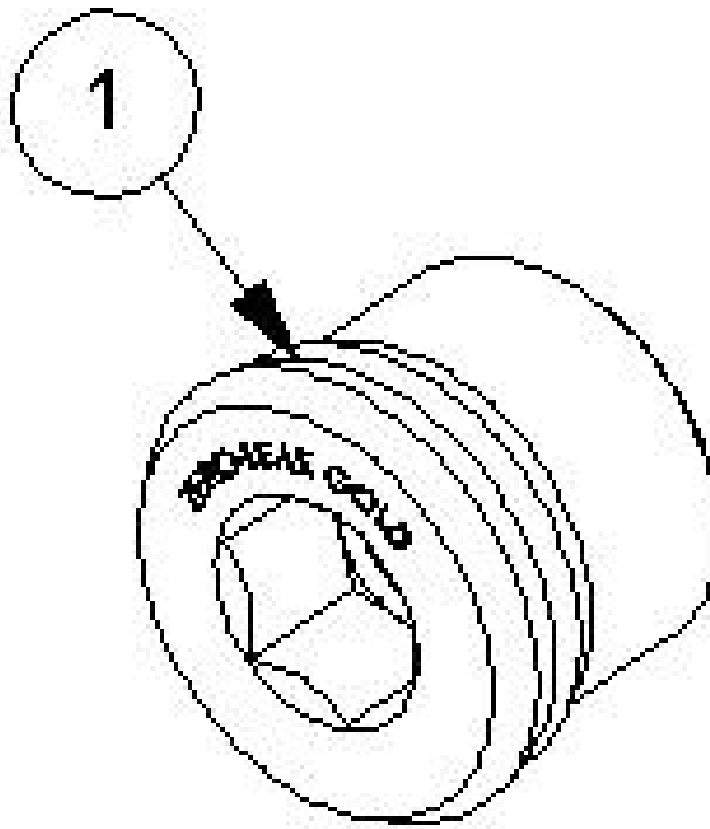


Ref	Part No	Description	QTY
1	8700011	I RING	1

9343104 - SCREW

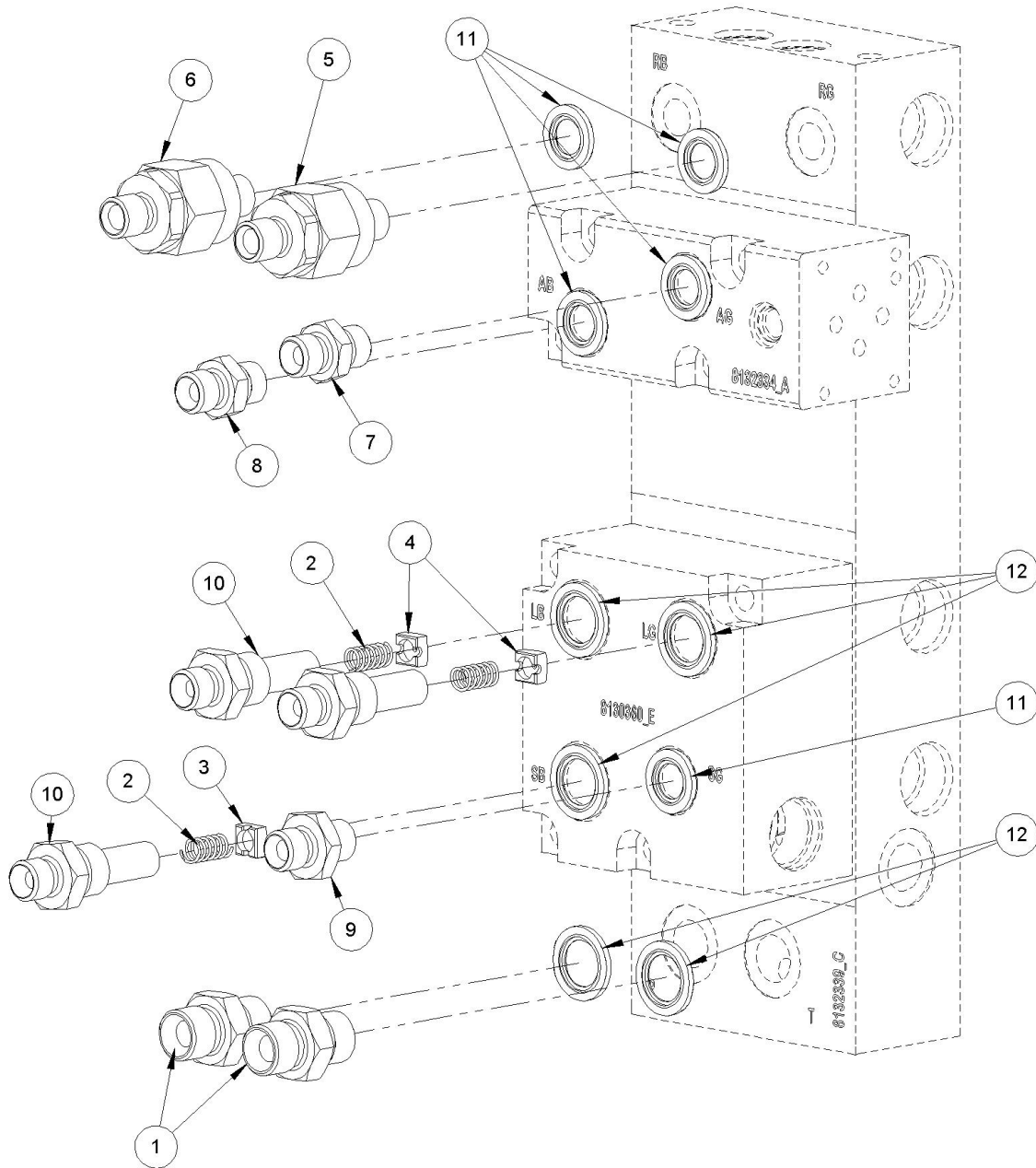


23242.06 - PLUG



Ref	Part No	Description	QTY
1	8700013	O RING	1

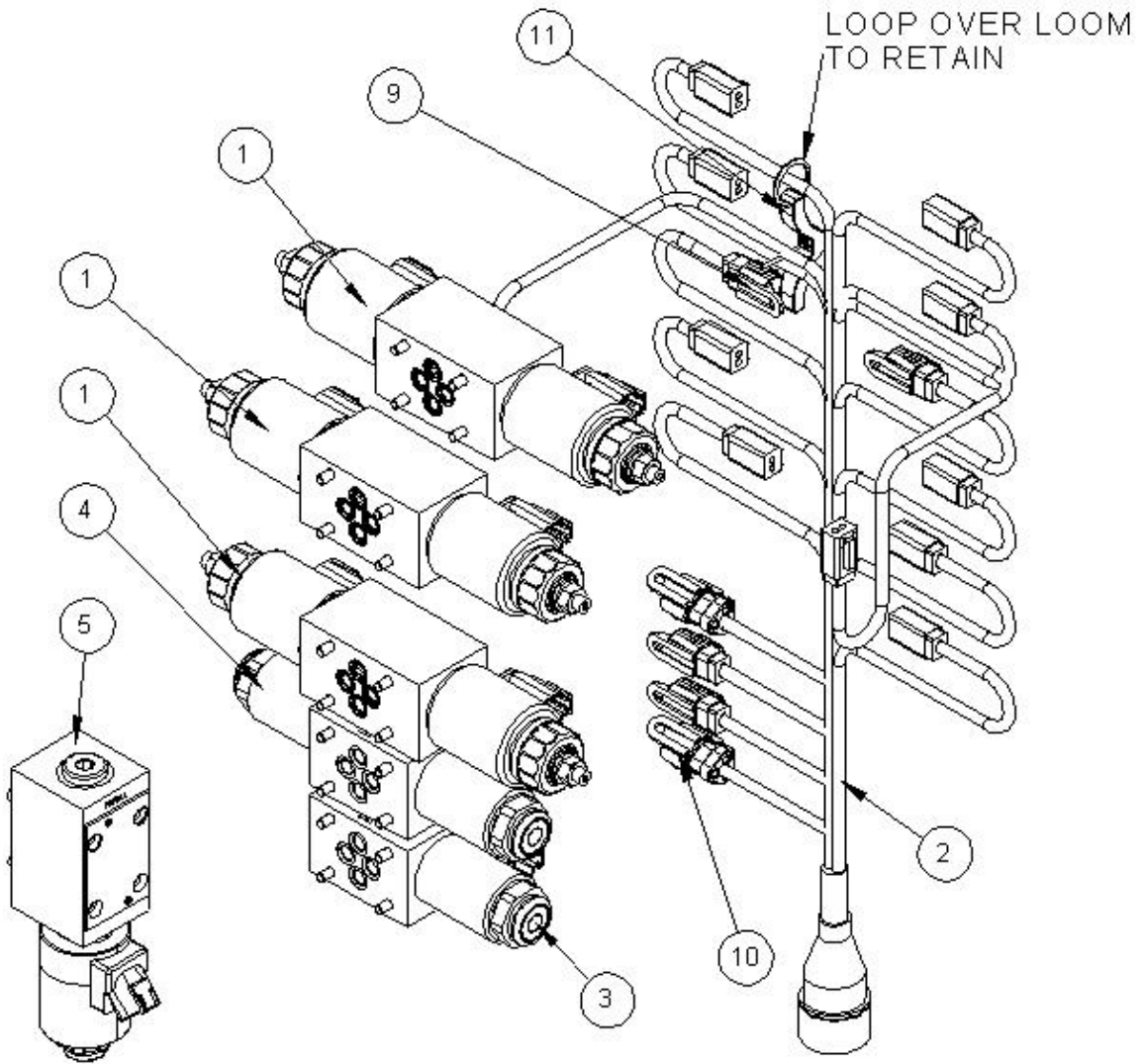
23180.51 - ADAPTOR KIT



Ref	Part No	Description	QTY
1	6000113	ADAPTOR	2
2	8116011	SPRING	3
3	8123041	RESTRICTOR DISC	1
4	8123044	RESTRICTOR	2
5	8123090	RESTRICTOR	1
6	8123091	RESTRICTOR	1
7	8130038	RESTRICTOR	1
8	8130105	RESTRICTOR	1
9	8581169	ADAPTOR	1

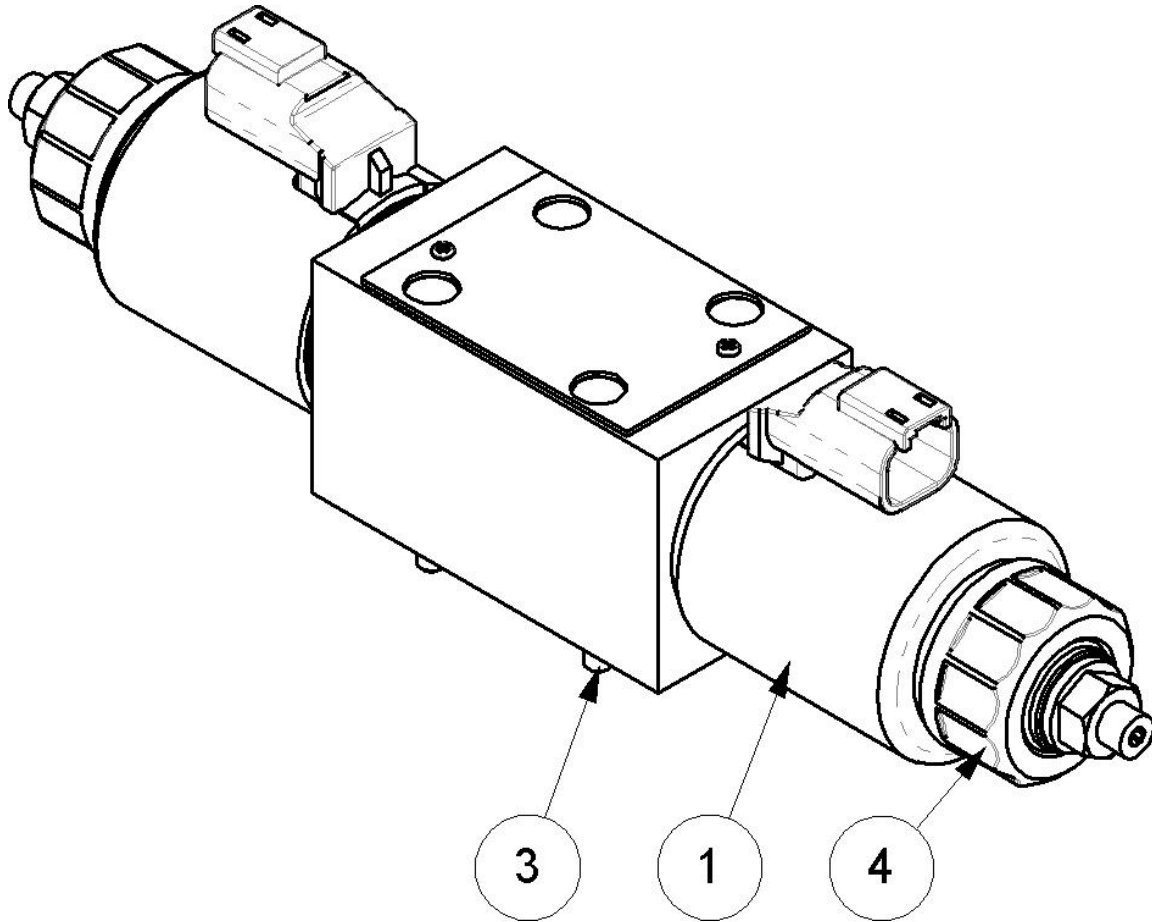
Ref	Part No	Description	QTY
10	8581210	UNION	3
11	8650102	SEAL	5
12	8650103	SEAL	5

22525.20 - SOLENOID KIT



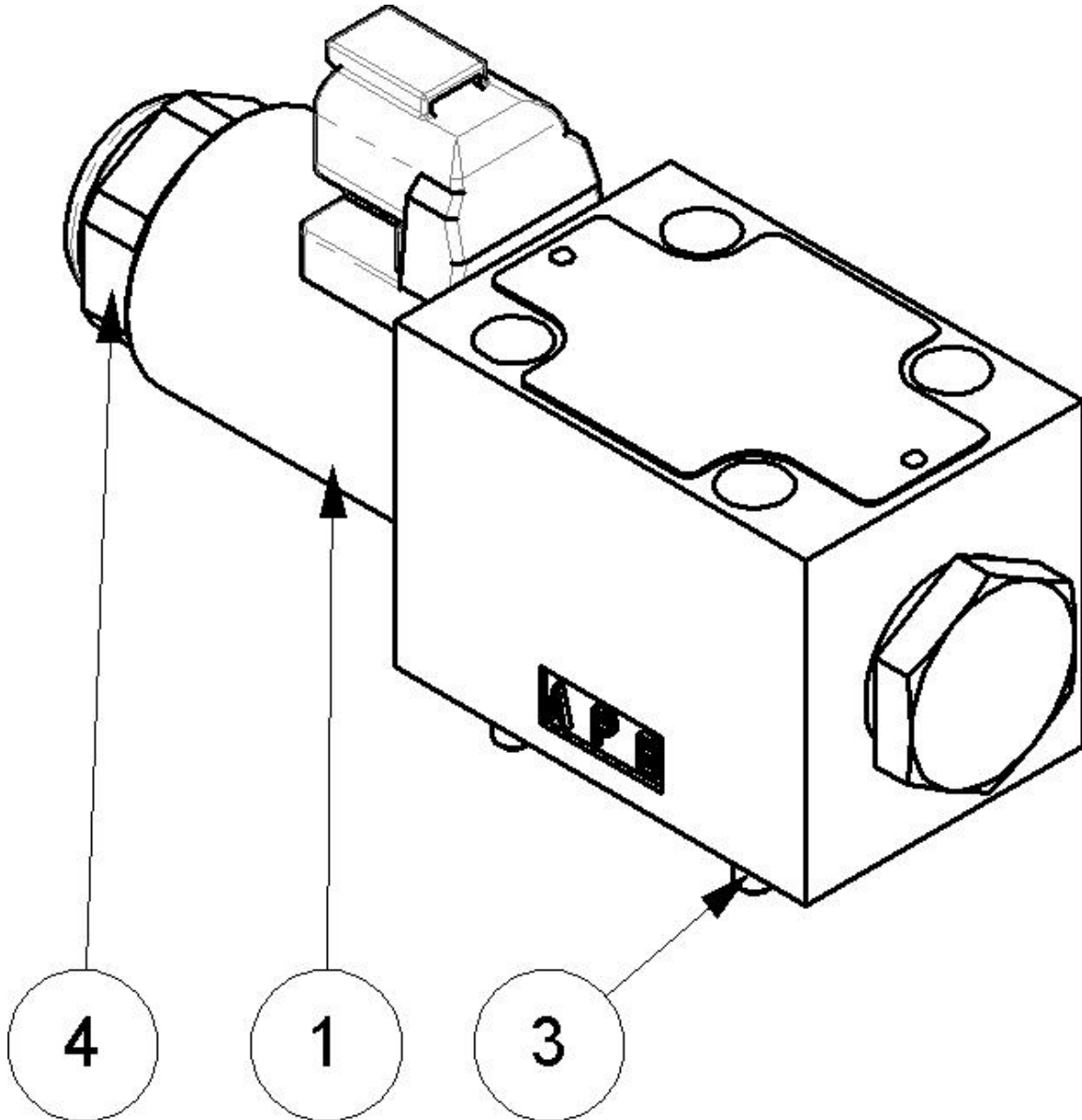
Ref	Part No	Description	QTY
1	23550.11	PROP DCV	3
2	41844.30	LOOM 23 CORE - 28 WAY	1
3	23550.13	VALVE	1
4	23550.14	DCV	1
5	23550.17	VALVE	1
9	45594.41	SEALING CAP	5
10	45594.42	SEALING CAP	2
22	23550.18	TOOL - MANUAL SOL. OPERATION	1

23550.11 - PROP DCV



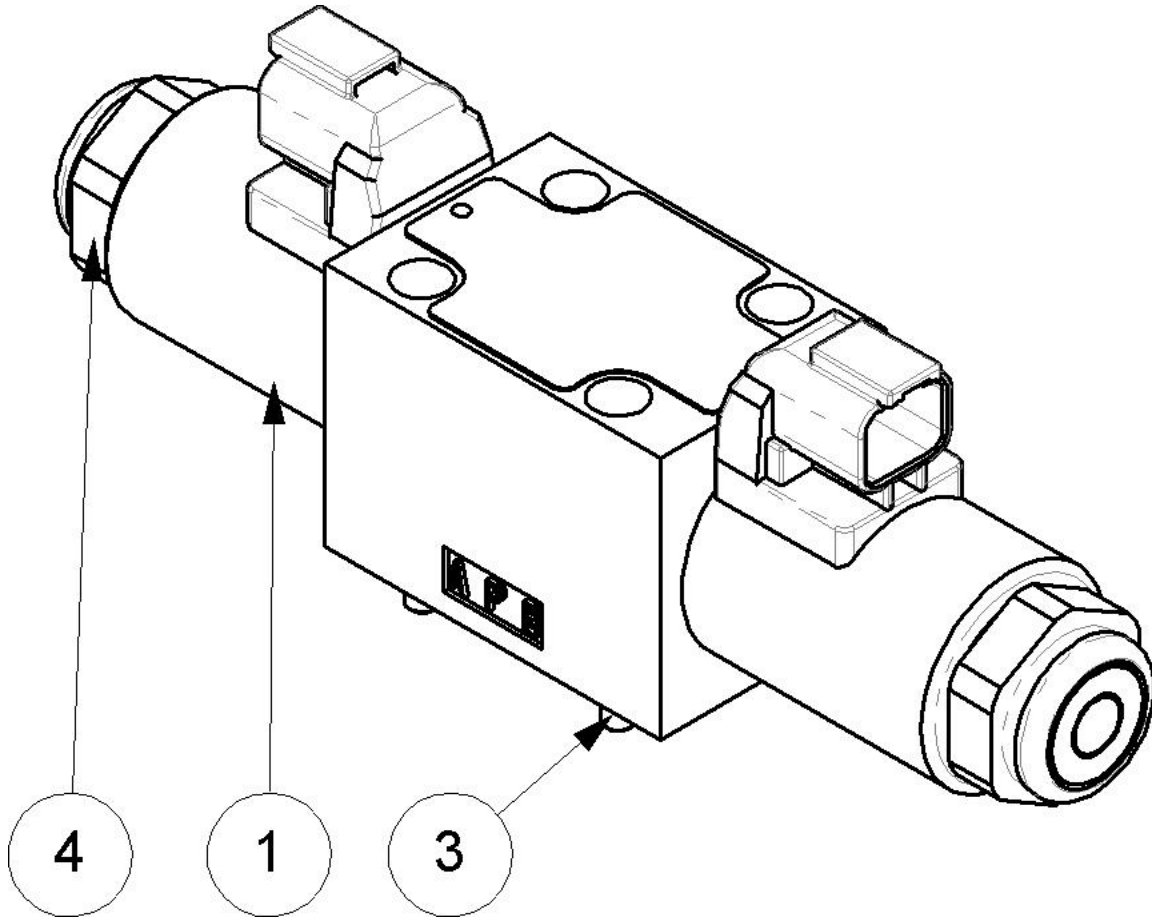
Ref	Part No	Description	QTY
1	23550.37	PROP COIL	2
2	23550.32	SEAL KIT	1
3	9200076	CAP SCREW	4
4	23550.35	COIL NUT	2

23550.13 - VALVE



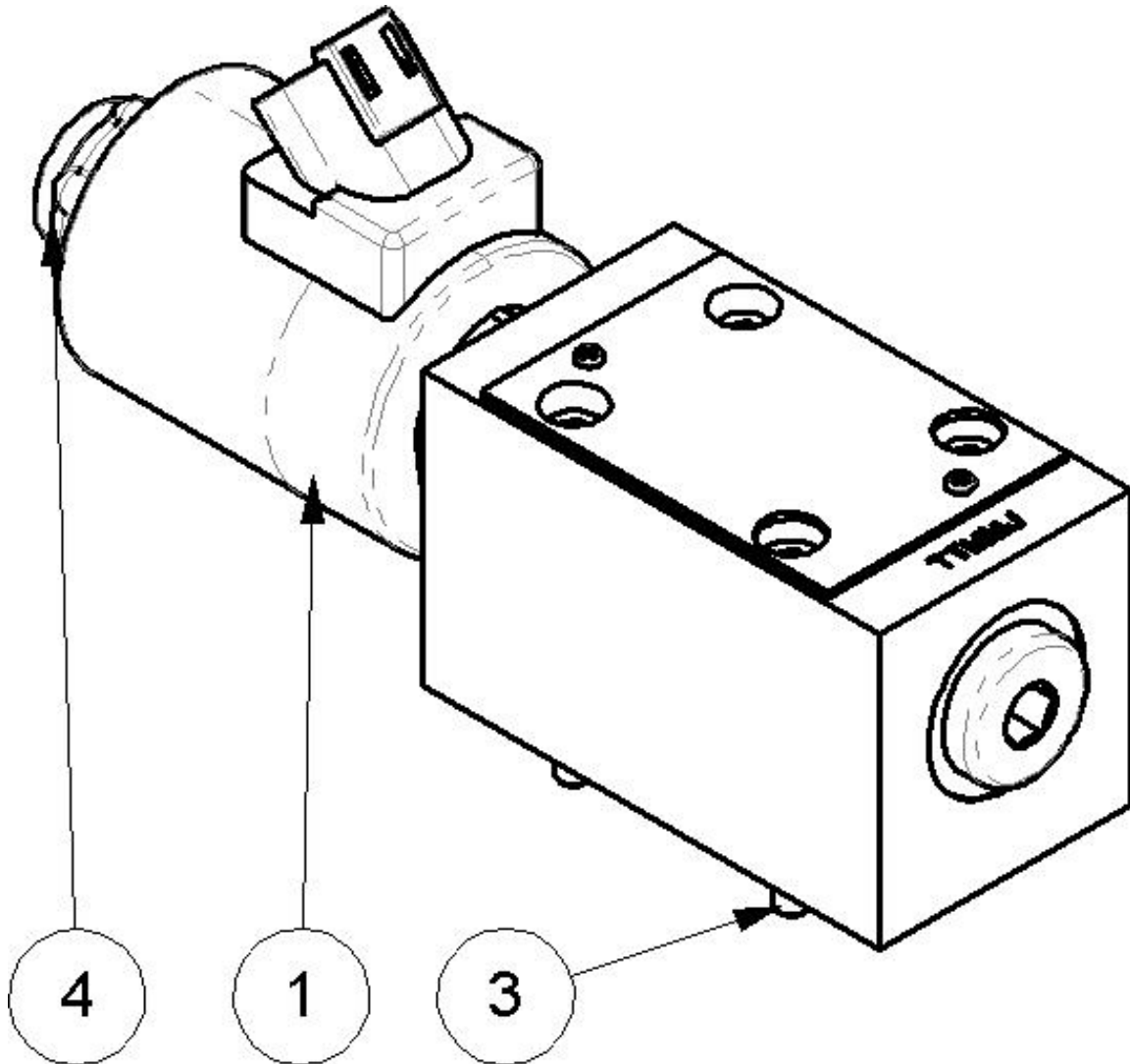
Ref	Part No	Description	QTY
1	23550.38	COIL	1
2	23550.34	SEAL KIT	1
3	9200077	CAP SCREW	4
4	23550.36	COIL NUT	1

23550.14 - DCV



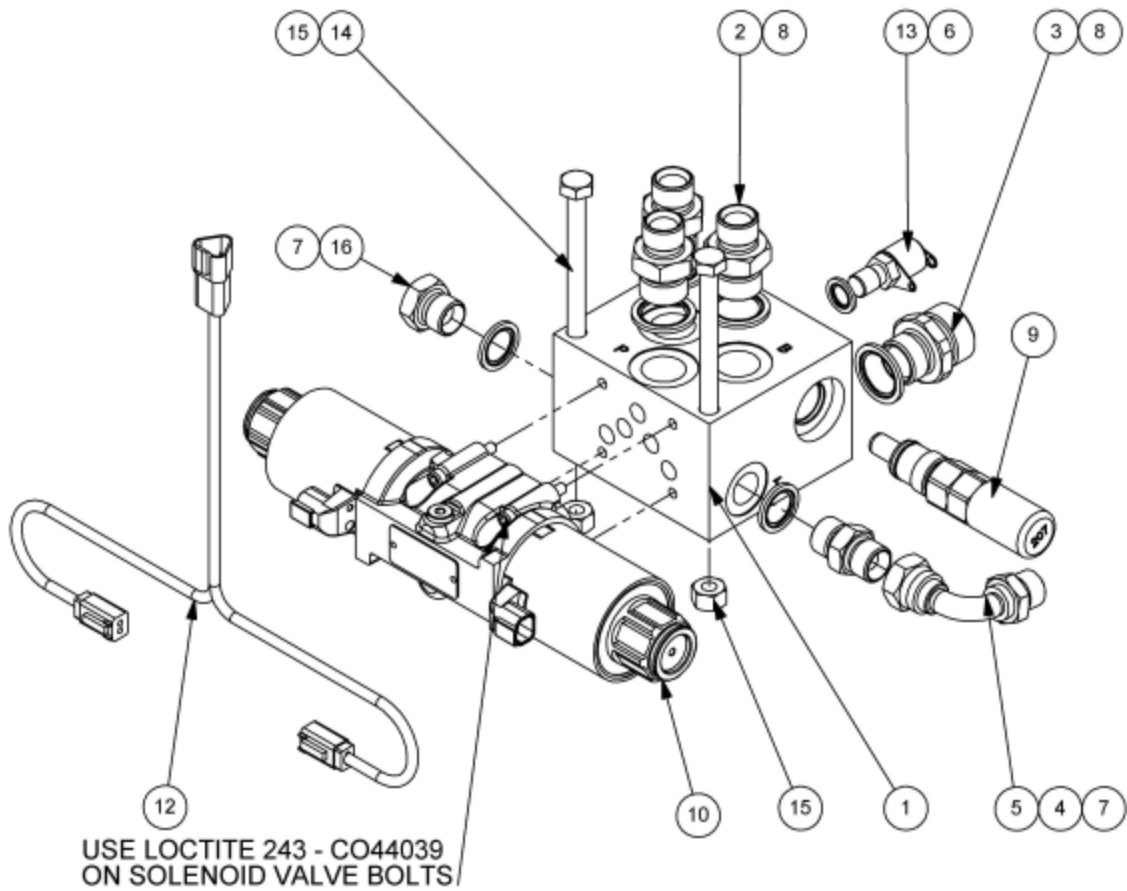
Ref	Part No	Description	QTY
1	23550.38	COIL	2
2	23550.34	SEAL KIT	1
3	9200077	CAP SCREW	4
4	23550.36	COIL NUT	2

23550.17 - VALVE



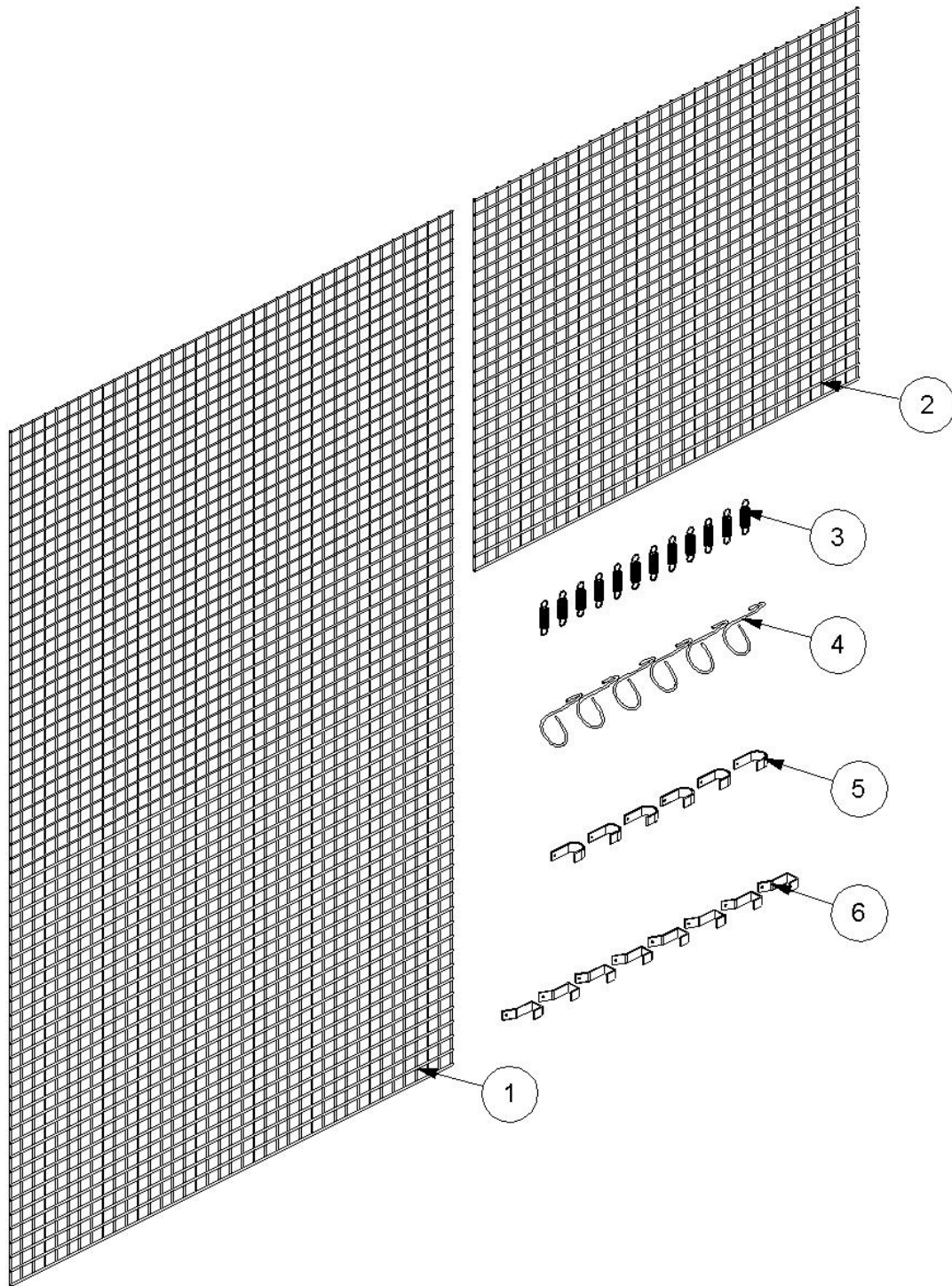
Ref	Part No	Description	QTY
1	23550.39	COIL	1
2	23550.32	SEAL KIT	1
3	9200079	CAP SCREW	4
4	23550.40	COIL NUT	1

7434566 - RCV ASSY



Ref	Part No	Description	QTY
1	8132271	BLOCK	1
2	8581270	ADAPTOR	3
3	8002086	ADAPTOR	1
4	8581110	ADAPTOR	1
5	8581215	ADAPTOR	1
6	8650102	SEAL	1
7	8650104	SEAL	2
8	8650106	SEAL	4
9	8125095	CARTRIDGE	1
10	23550.19	DIRECTIONAL VALVE	1
12	41844.49	REVERSING MOTOR CONTROL LOOM	1
13	8131008	COUPLING	1
14	9213205	BOLT	2
15	9163005	NUT	2
16	05.433.06	ADAPTOR	1

7313324 - GUARD KIT

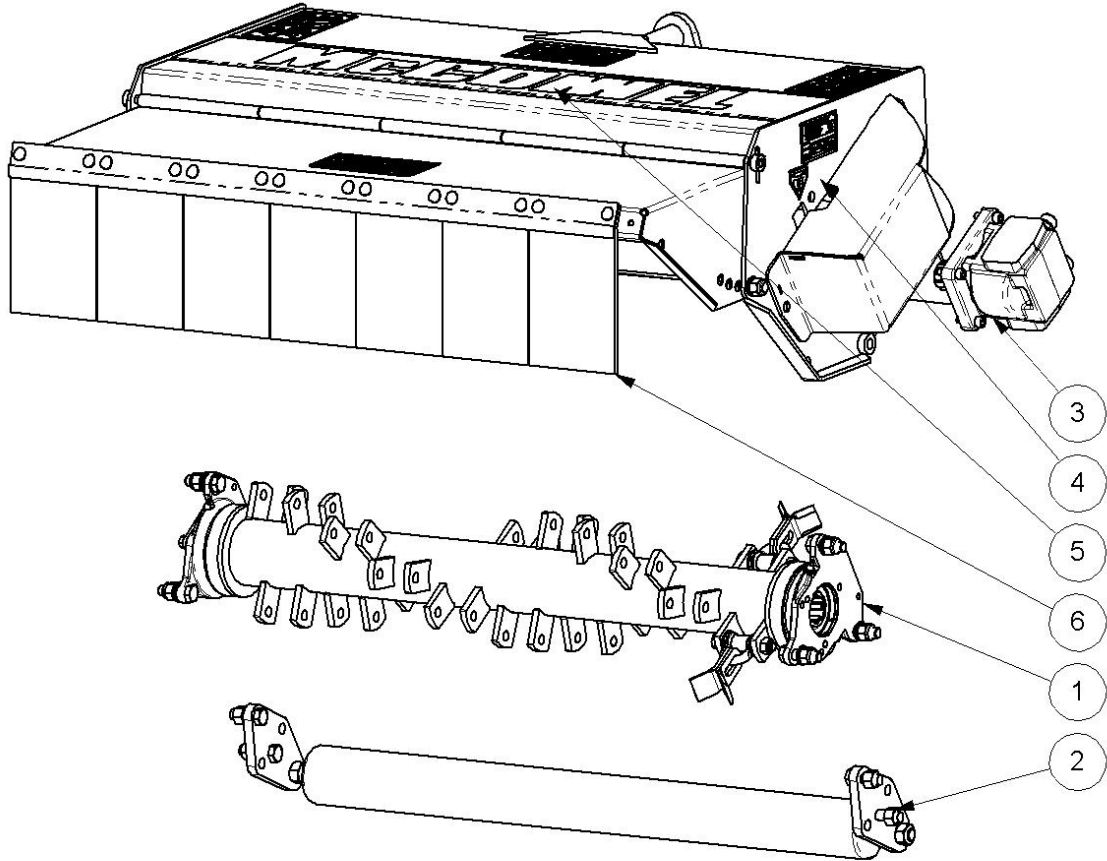


Ref	Part No	Description	QTY
1	7313049	GUARD PANEL	1
2	7313050	GUARD PANEL	1
3	6001064	SPRING	12
4	6001065	HOOK	6
5	41587.01	GUARD HOOK	6
6	41745.01	HOOK	8

Ref	Part No	Description	QTY
7	22342.01	CABLE TIE	1
8	7196045	HOSE TIE	2

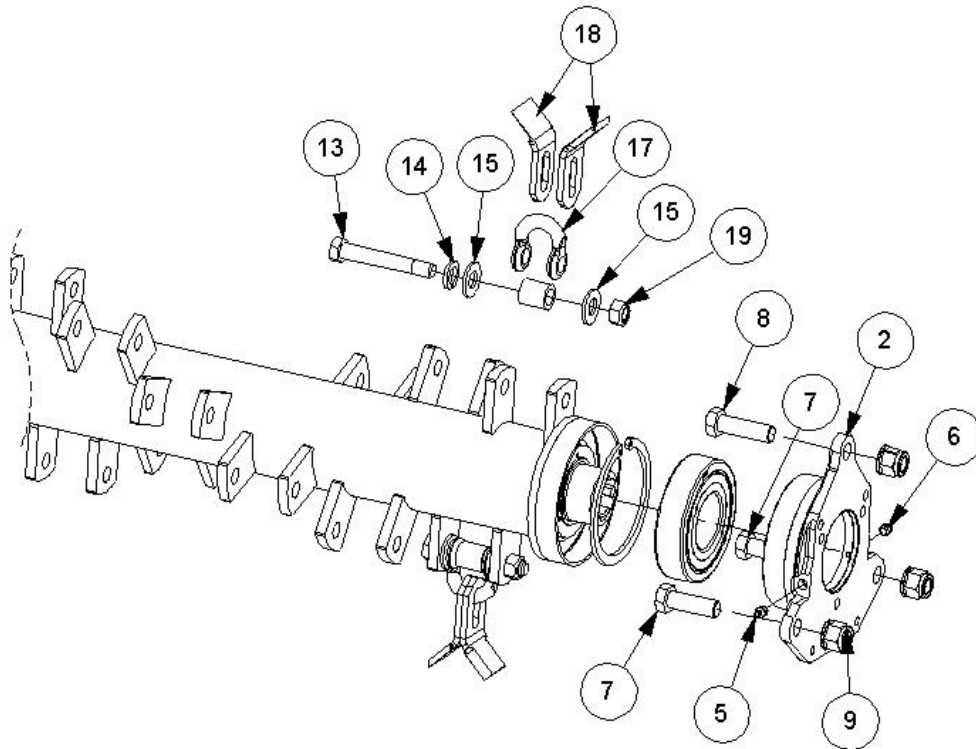
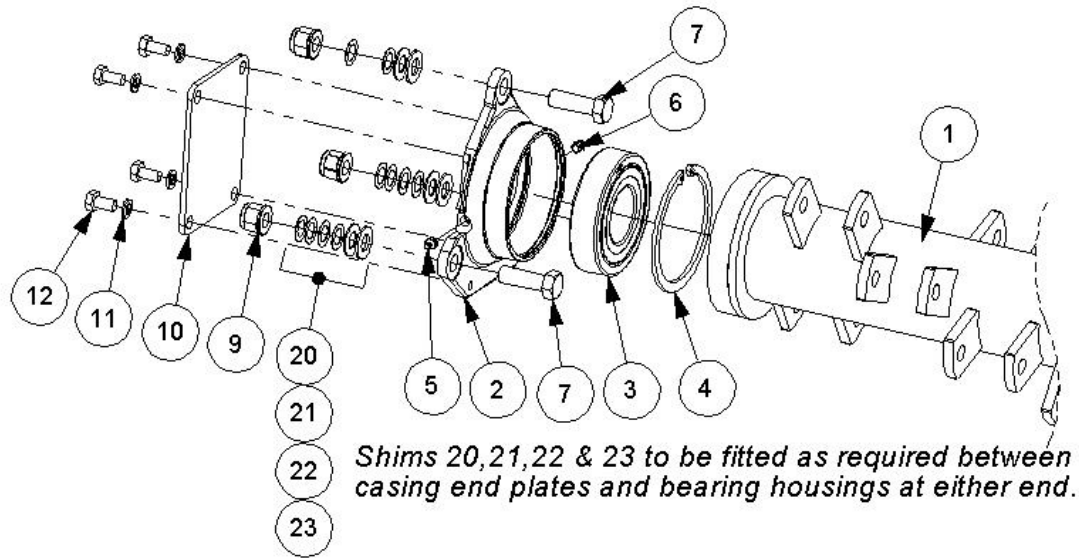
ATTACHMENTS

7146823 - 1.0M RH IB HEAD



Ref	Part No	Description	QTY
1	21959.02	ROTOR MODULE	1
2	21960.01	ROLLER MODULE	1
3	21965.01	MOTOR MODULE	1
4	21969.03	CASING & HOOD MOD	1
5	21978.01	STICKER MODULE	1
6	7191321	FLAP KIT 1.0M SUPERCUT	1

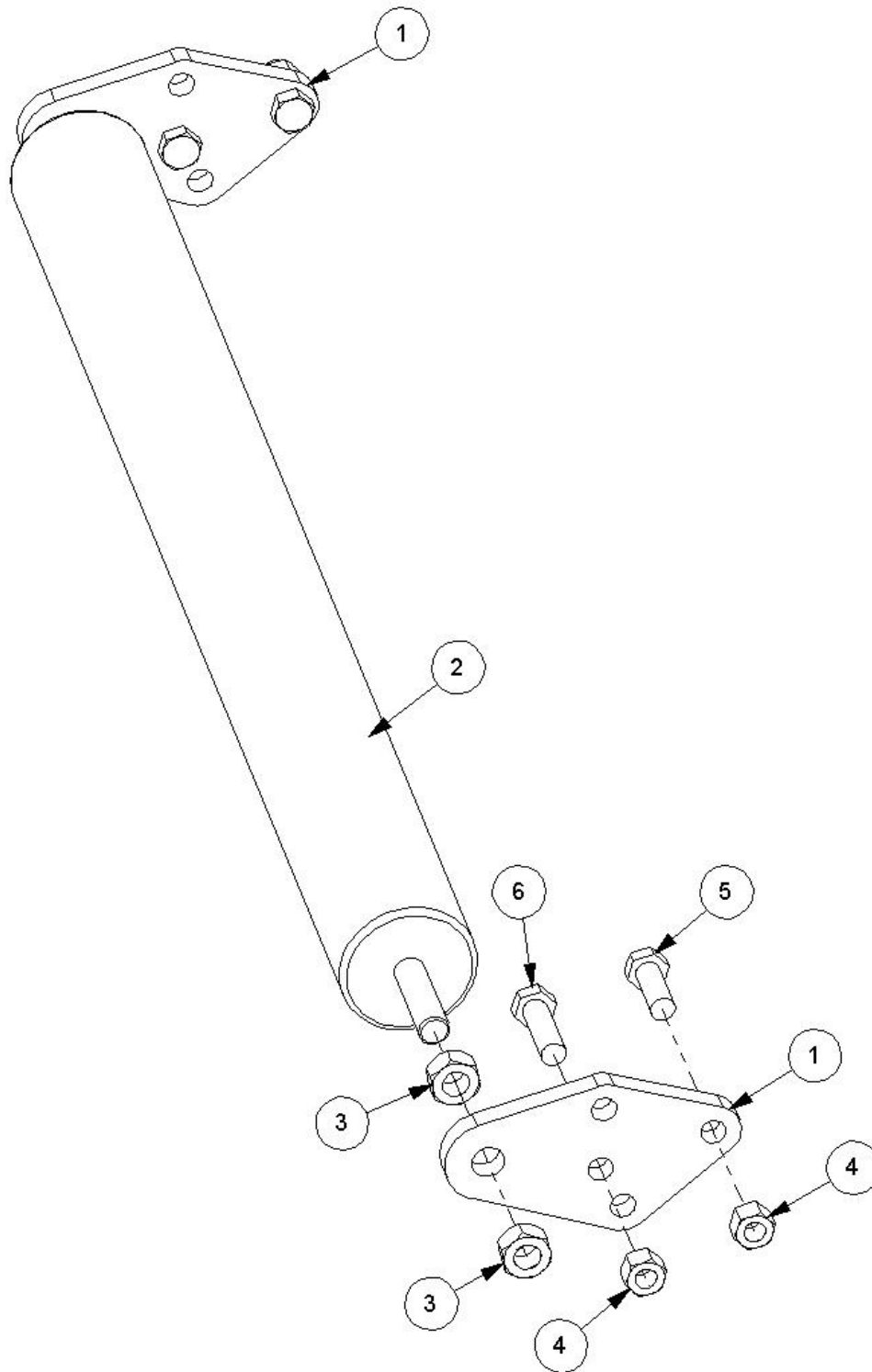
21959.02 - ROTOR MODULE



Ref	Part No	Description	QTY
1	7198345	ROTOR-SUPERCUT 1.0M DID/DR	1
2	7190261	BEARING HOUSING	2
3	0600018	BEARING - ROTOR	2
4	7190022	CIRCLIP	2
5	0901121	GREASER	2
6	0901125	GREASER	2
7	9200025	BOLT	5
8	9200023	BOLT	1
9	9100024	NUT	6

Ref	Part No	Description	QTY
10	7190444	PLATE	1
11	9100205	WASHER	4
12	9313045	SCREW	4
13	05.775.10	BOLT	20
14	9100207	WASHER	20
15	05.281.04	WASHER	40
16	02.807.01	SPACER	20
17	05.895.01	SHACKLE	20
18	7190166	FLAIL	40
19	05.968.06	NUT	20
20	7191098	SHIM	3
21	7191099	SHIM	3
22	8121043	SPACER	5
23	8121044	SPACER	5

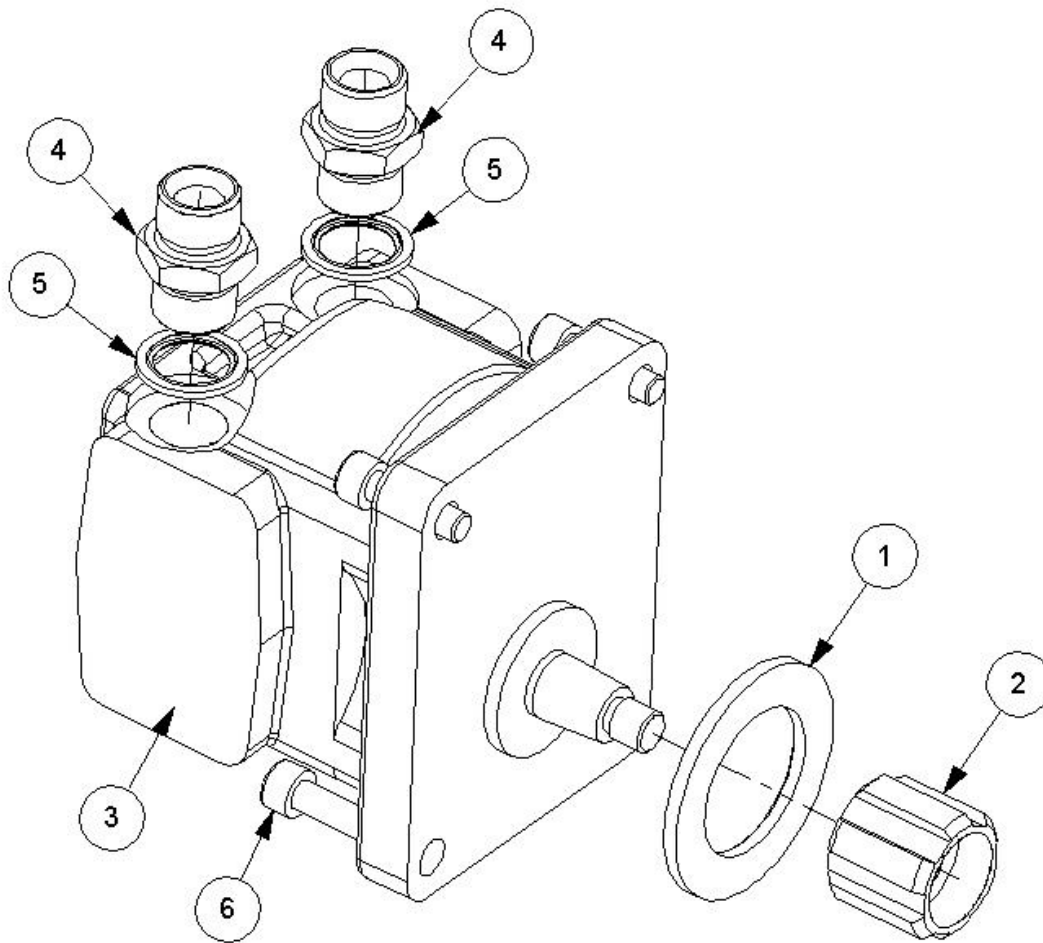
21960.01 - ROLLER MODULE



Ref	Part No	Description	QTY
1	21967.01	BRACKET	2
2	41301.02	ROLLER	1
3	9113008	NUT	4
4	9163007	NUT	4
5	9313097	SCREW	2
6	9313117	SCREW	2

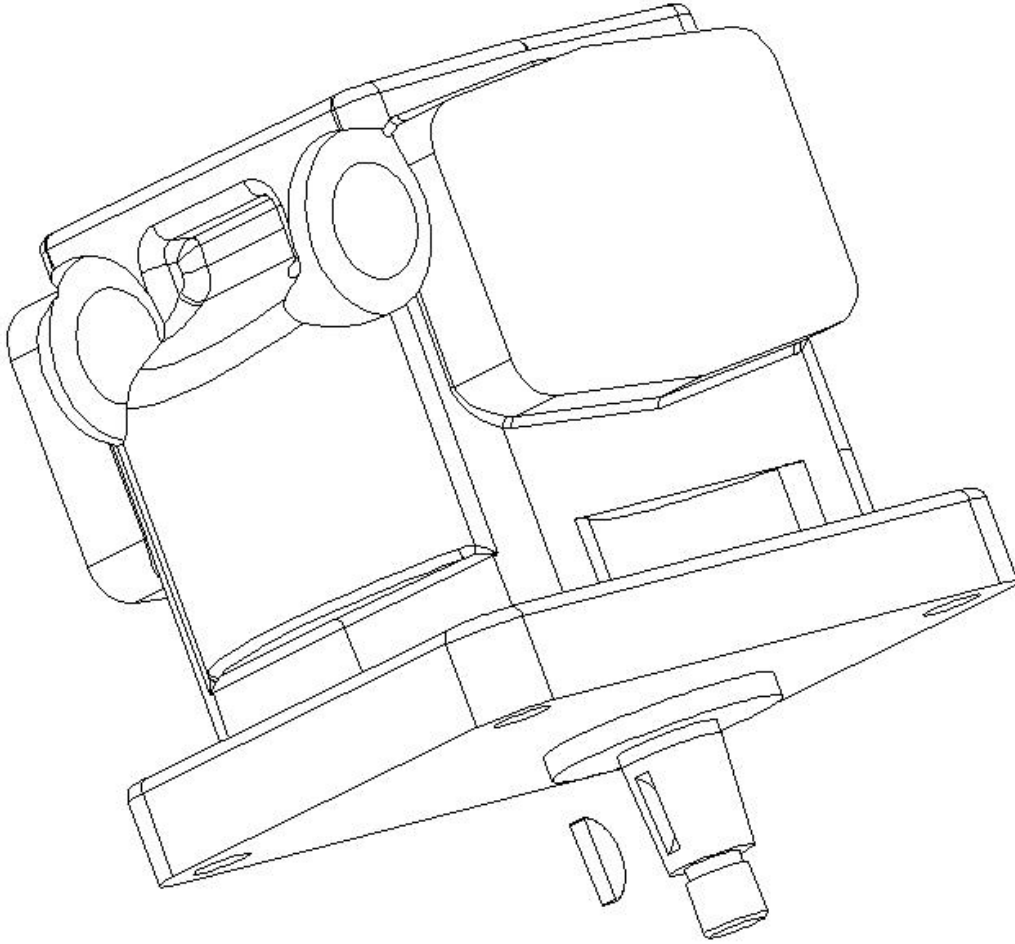
Ref	Part No	Description	QTY
7	04.456.03	BEARING KIT	0

21965.01 - MOTOR MODULE



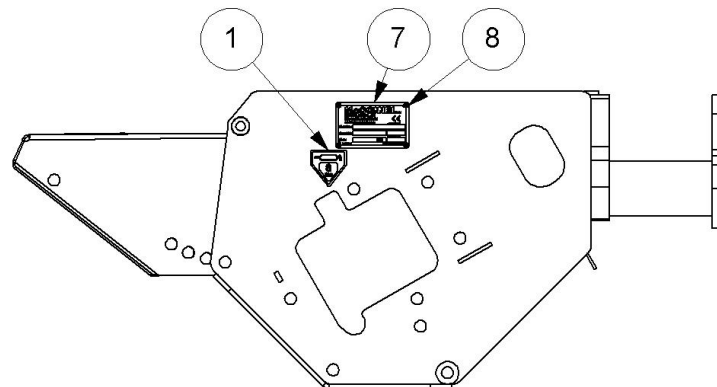
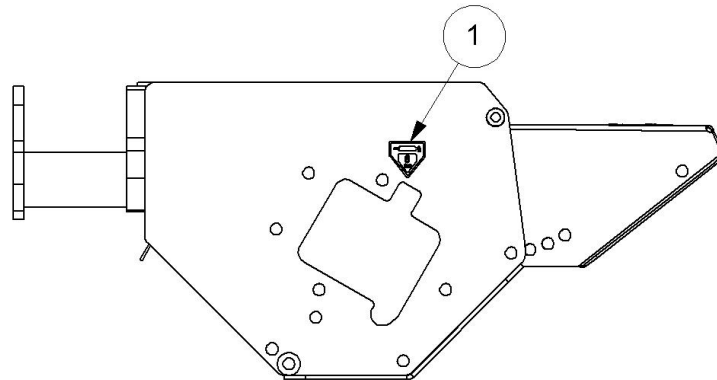
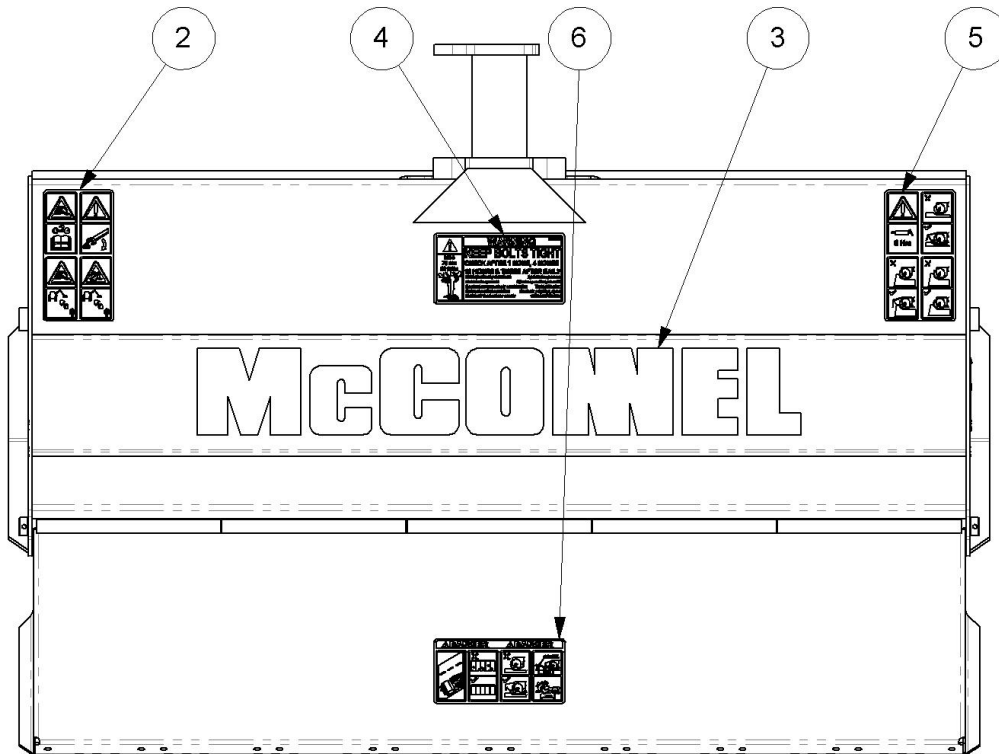
Ref	Part No	Description	QTY
1	7190015	WASHER	1
2	7190573	USE 7190580/549	1
3	8301303	MOTOR	1
4	8581136	ADAPTOR	2
5	8650106	SEAL	2
6	9300144	SCREW	4

8301303 - MOTOR



Ref	Part No	Description	QTY
1	9100015	NUT	1
2	8301010	KEY	1
3	8629209	SEAL	2
4	8699236	SEAL KIT	1

21978.01 - STICKER MODULE



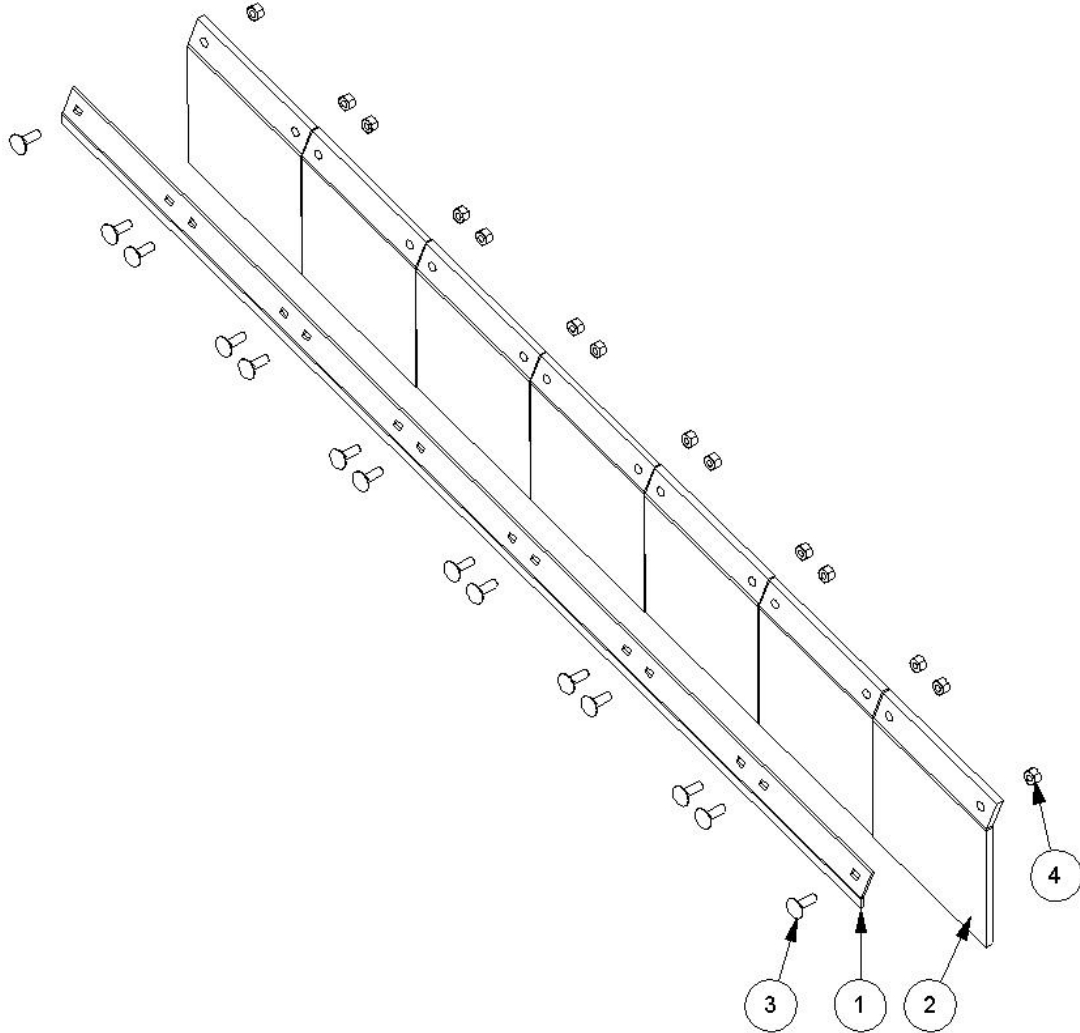
NOTE: LAYOUT SHOWN FOR LH OB/RH IB
 NUMBER PLATE FITTED TO OPPOSITE
 END FOR LH IB/RH OB

Ref	Part No	Description	QTY
1	09.810.01	DECAL	2
2	09.821.35	DECAL	1

Ref	Part No	Description	QTY
3	1290527	DECAL	1
4	1291315	DECAL	1
5	1290738	DECAL	1
6	1291231	DECAL	1
7	1335246	SERIAL No. PLATE	1
8	7103230	RIVET	4

7191321 - FLAP KIT 1.0M

SUPERCUT



Ref	Part No	Description	QTY
1	7190035	FLAP	7
2	7190350	CLAMP STRIP	1
3	9293054	BOLT	14
4	9163004	NUT	14