

# **PARTS MANUAL**

## **FOR**

**McConnel PA4330 FM  
Heckeprofi GEN II opbouw**

# 22674.51 - PA3430 + PA4330 OPERATOR

Publication 651  
July 2010  
Part No. 22674.51



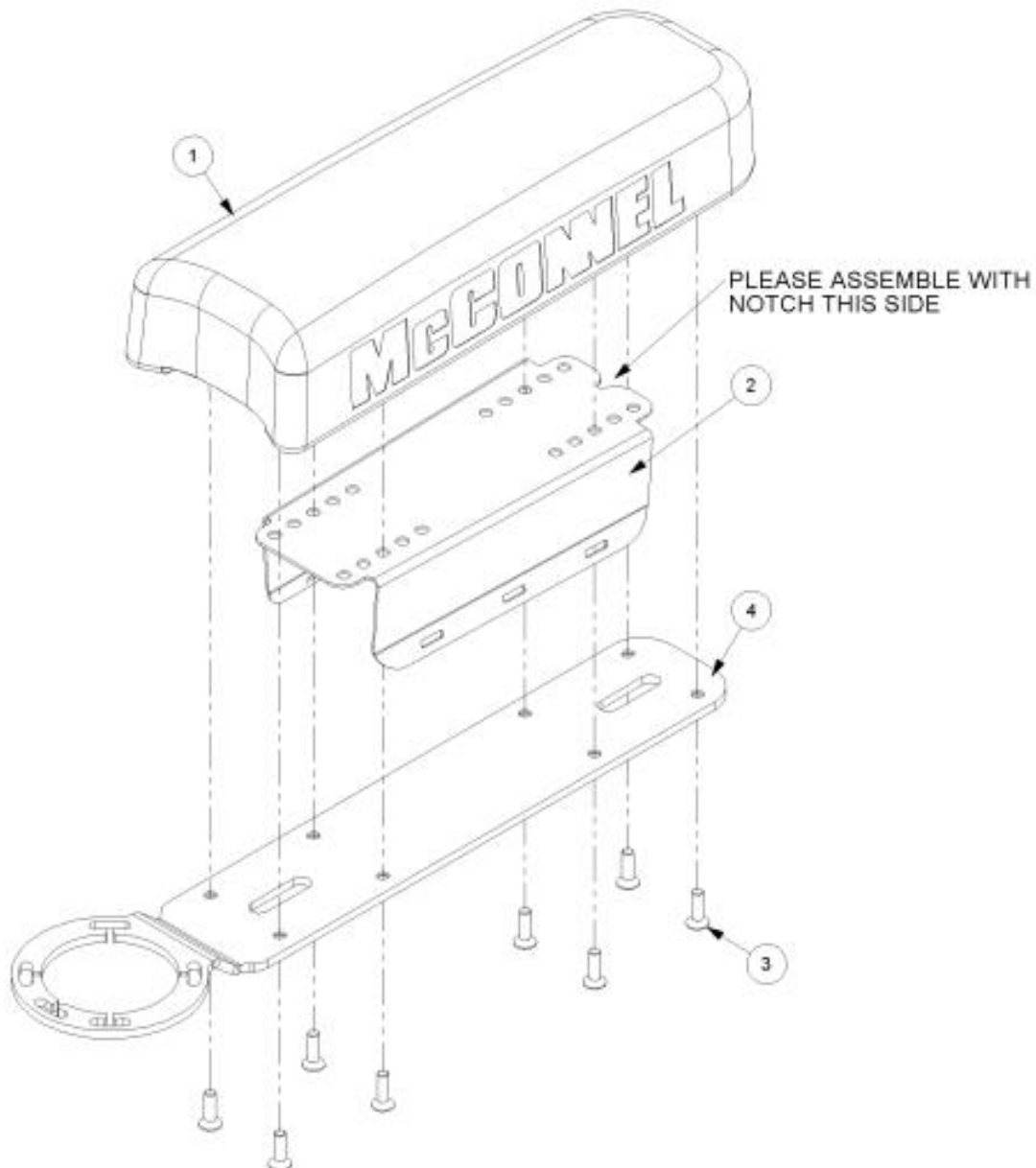
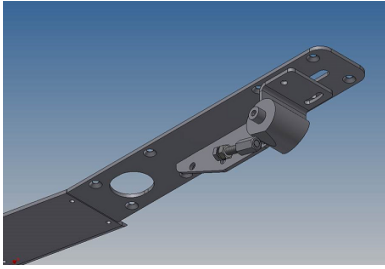
## McCONNEL

PA3430 / PA4330 Series  
COMPACT TRIMMER / MOWER

Operator Manual

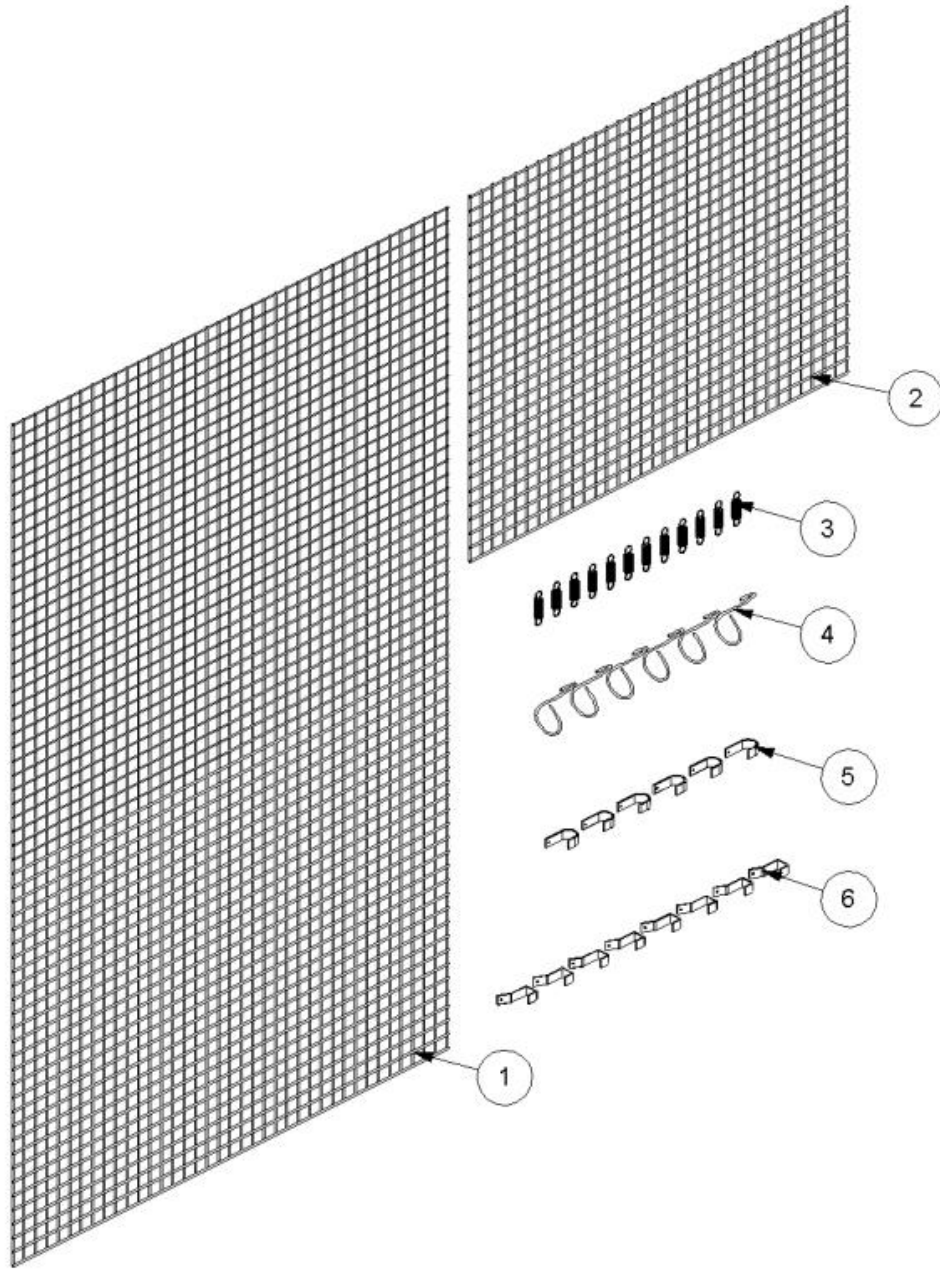


## ArMLEuning eigen fabrikaat



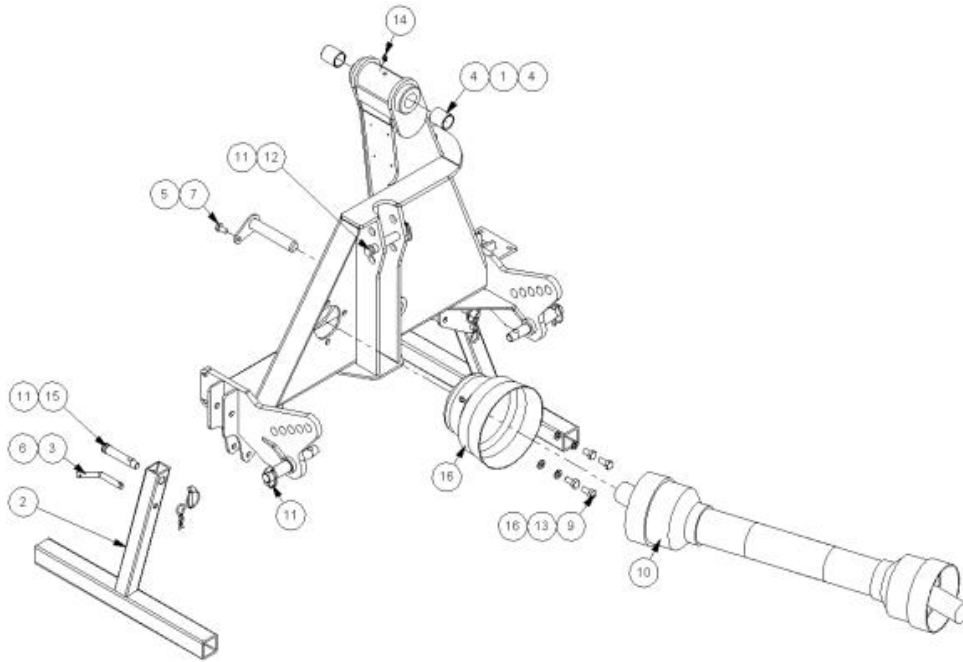
- |   |                            |
|---|----------------------------|
| 1 | 23581.42 ARM REST PAD      |
| 2 | 23581.43 ARM REST PRESSING |
| 3 | 9353043 SCREW              |
| 4 | 23581.48 LOLLY POP STICK   |

# 7313324 - GUARD KIT



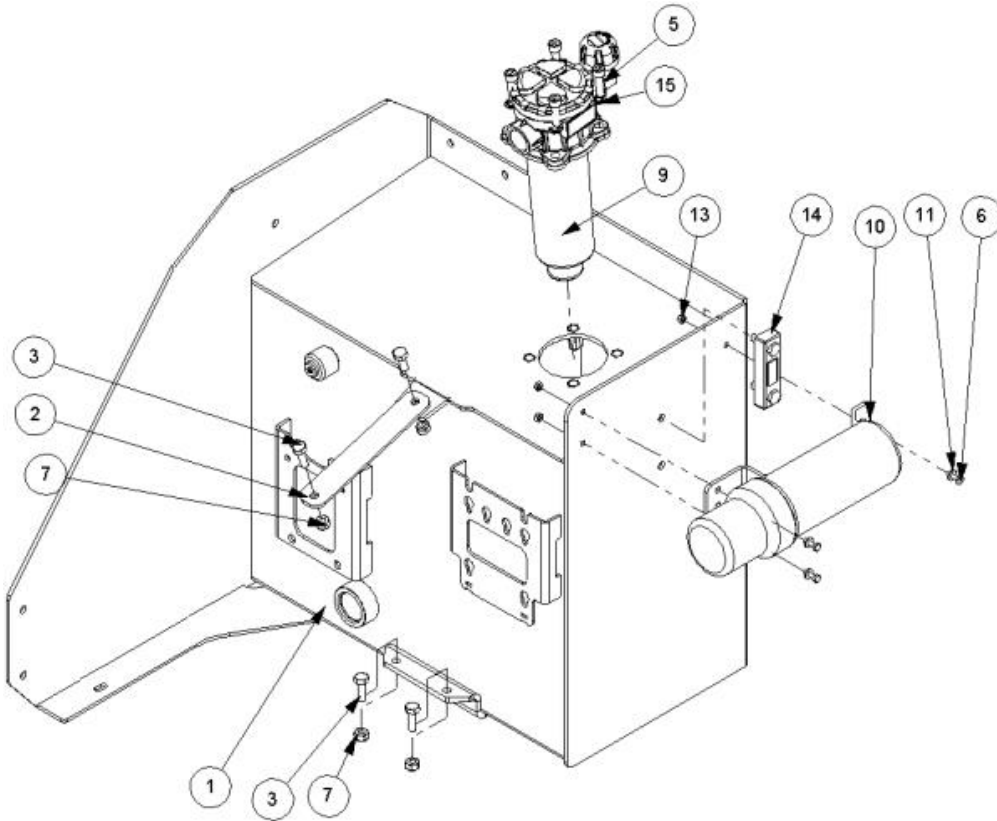
| Ref | Part No  | Description | QTY |
|-----|----------|-------------|-----|
| 1   | 7313049  | GUARD PANEL | 1   |
| 2   | 7313050  | GUARD PANEL | 1   |
| 3   | 6001064  | SPRING      | 12  |
| 4   | 6001065  | HOOK        | 6   |
| 5   | 41587.01 | GUARD HOOK  | 6   |
| 6   | 41745.01 | HOOK        | 8   |
| 7   | 22342.01 | CABLE TIE   | 1   |
| 8   | 7196045  | HOSE TIE    | 2   |

# 7434501 - MAIN FRAME MODULE



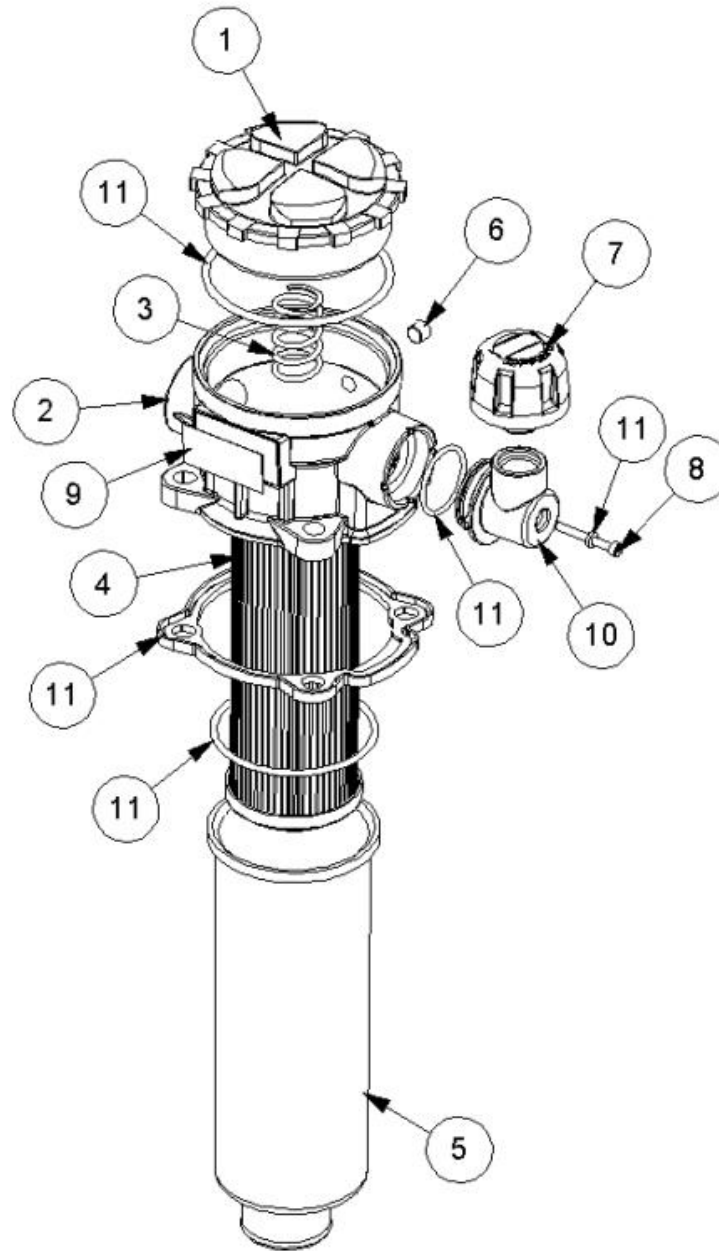
| Ref | Part No             | Description           | QTY          |
|-----|---------------------|-----------------------|--------------|
| 1   | <del>22852.02</del> | <del>MAIN FRAME</del> | <del>4</del> |
| 2   | <del>41203.05</del> | <del>LEG</del>        | <del>2</del> |
| 3   | 1090051             | PIN                   | 2            |
| 4   | 21149.01            | BUSH                  | 2            |
| 5   | 41267.15            | PIN                   | 1            |
| 6   | 0431105             | PIN                   | 2            |
| 7   | 9313045             | SCREW                 | 1            |
| 8   | 9313046             | SCREW                 | 1            |
| 9   | 9313056             | SCREW                 | 3            |
| 10  | 7114289             | PTO SHAFT             | 1            |
| 11  | 0431217             | LINCH PIN             | 5            |
| 12  | 6310202             | PIN                   | 1            |
| 14  | 9100206             | WASHER                | 4            |
| 15  | 0901121             | GREASER               | 2            |
| 15  | T8117               | PIN                   | 2            |
| 16  | 42694.04            | GUARD                 | 1            |
| 17  | 9100205             | WASHER                | 1            |

# 7434503 - TANK MOUDLE RH



| Ref | Part No | Description | QTY |
|-----|---------|-------------|-----|
| 9   | 8401168 | FILTER      | 1   |

# 8401168 - FILTER

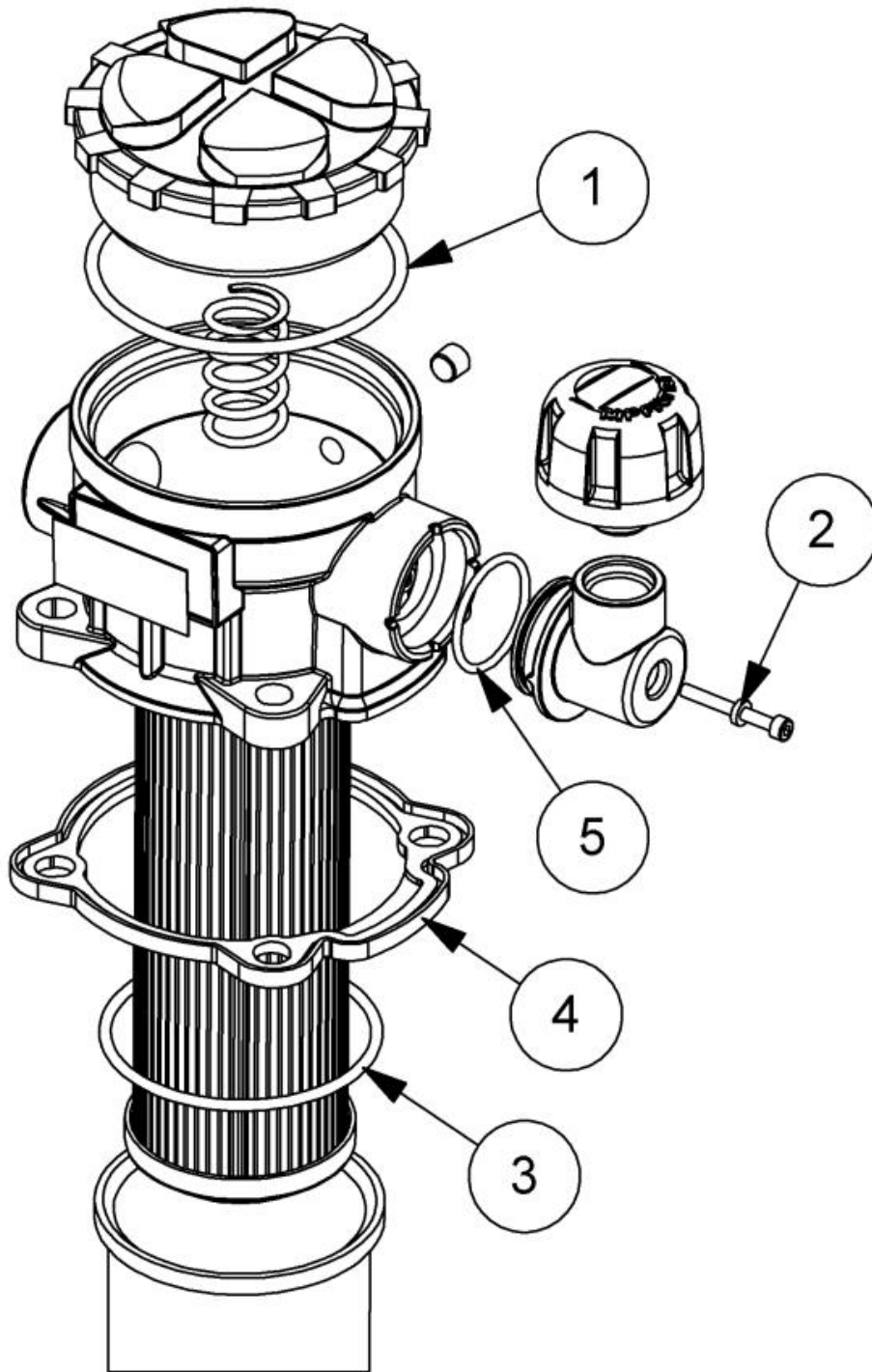


| Ref | Part No    | Description          | QTY |
|-----|------------|----------------------|-----|
| 1   | 212.013.04 | FILLER CAP           | 1   |
| 2   | 8401187    | HOUSING              | 1   |
| 3   | 8401158    | FILTER SPRING        | 1   |
| 4   | 8401164    | USE 8401095          | 1   |
| 5   | 8401165    | FILTER BOWL          | 1   |
| 6   | 8401166    | FILTER GRUB SCREW    | 1   |
| 7   | 8401182    | BREATHER CAP+FILTER  | 1   |
| 8   | 8401184    | CAP SCREW            | 1   |
| 9   | 8401167    | IDENTIFICATION PLATE | 1   |

| Ref | Part No        | Description     | QTY |
|-----|----------------|-----------------|-----|
| 10  | 8401183        | ELBOW           | 1   |
| 11  | <b>8699294</b> | FILTER SEAL KIT | 0   |

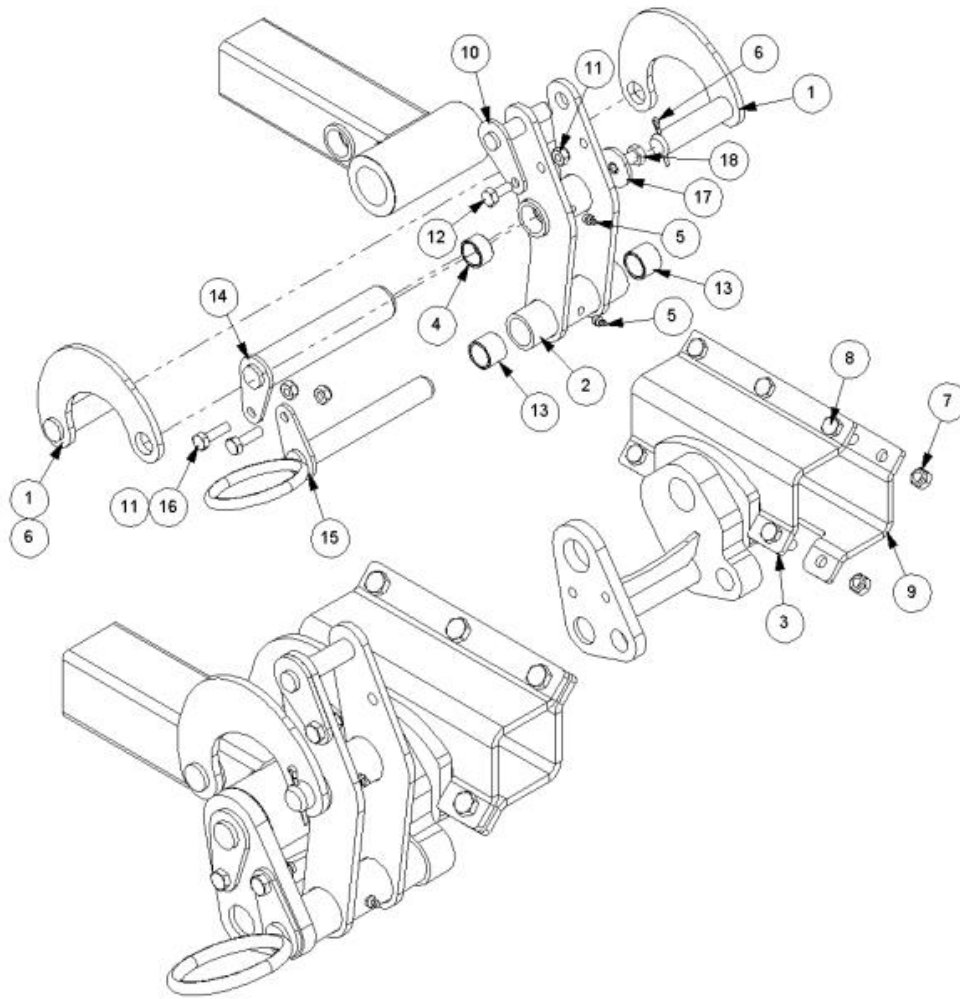


# 8699294 - FILTER SEAL KIT



| Ref | Part No | Description                    | QTY |
|-----|---------|--------------------------------|-----|
| 1   | 8700092 | O RING                         | 1   |
| 2   | 8401186 | CAP SCREW SEAL                 | 1   |
| 3   | 8700235 | O RING                         | 1   |
| 4   | 8401188 | SEAL NOT AVAILABLE USE 8699294 | 1   |
| 5   | 8401185 | ORING SEAL                     | 1   |

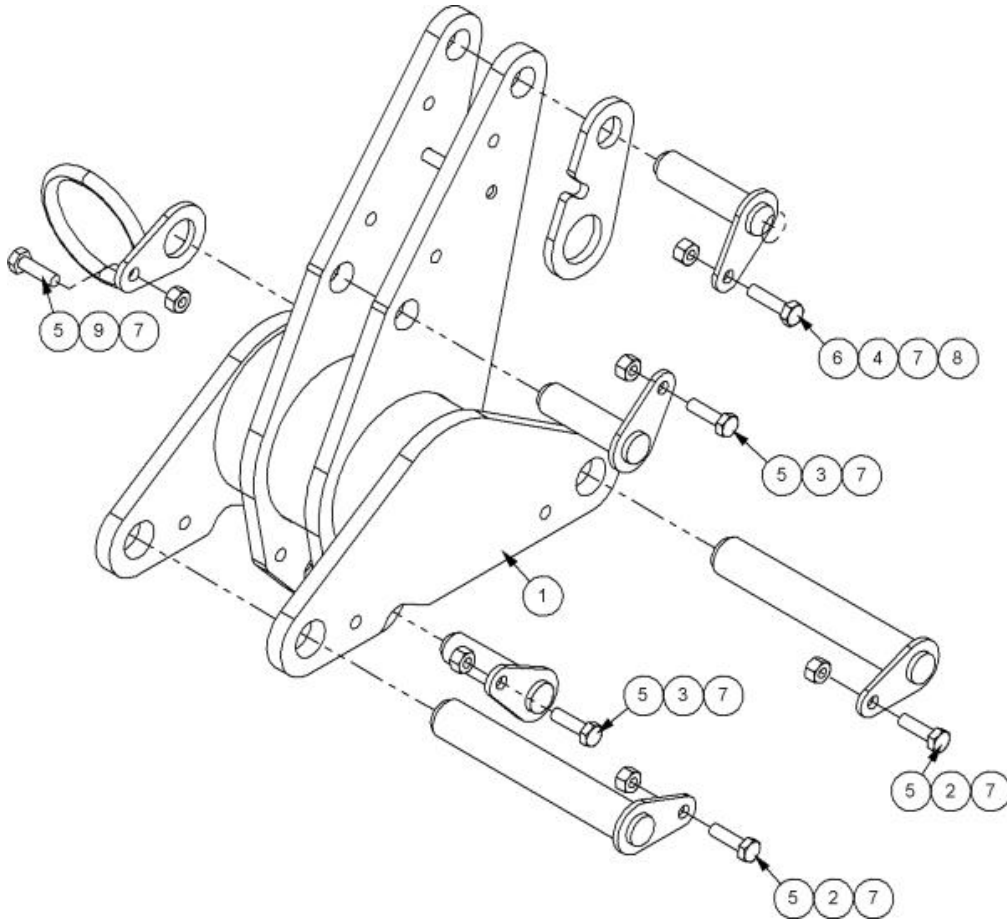
# 7434511 - ANGLING GEAR



| Ref | Part No  | Description       | QTY |
|-----|----------|-------------------|-----|
| 1   | 41206.02 | RADIUS ARM TYPE 2 | 2   |
| 2   | 41207.03 | SLAVE LINK        | 1   |
| 3   | 41261.15 | BRACKET -RH       | 1   |
| 4   | 7214060  | BUSH              | 2   |
| 5   | 0901121  | GREASER           | 2   |
| 6   | 9501406  | PIN               | 2   |
| 7   | 9163006  | NUT               | 5   |
| 8   | 9313086  | SCREW             | 5   |
| 9   | 21873.01 | PLATE             | 1   |
| 10  | 41270.01 | PIN               | 1   |
| 11  | 9163005  | NUT               | 3   |
| 12  | 9313055  | SCREW             | 1   |
| 13  | 41690.01 | BUSH              | 2   |
| 14  | 21971.02 | PIN               | 1   |
| 15  | 21970.02 | PIN               | 1   |
| 16  | 9313075  | SCREW             | 2   |

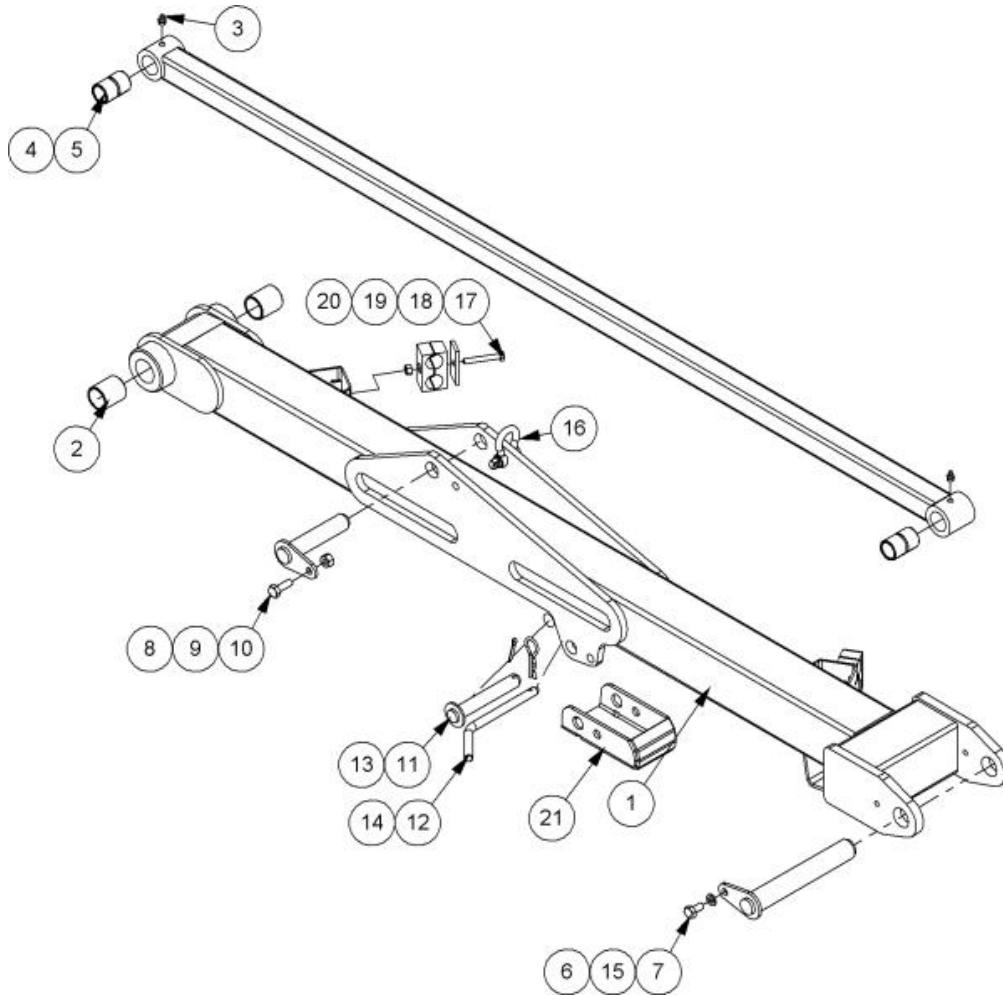
| <b>Ref</b> | <b>Part No</b> | <b>Description</b> | <b>QTY</b> |
|------------|----------------|--------------------|------------|
| 17         | 05.234.01      | WASHER             | 1          |
| 18         | 9300149        | SCREW              | 1          |

# 7434514 - ROCKER MODULE



| Ref | Part No  | Description  | QTY |
|-----|----------|--------------|-----|
| 1   | 41198.08 | ROCKER       | 1   |
| 2   | 41268.02 | PIN          | 2   |
| 3   | 41267.09 | PIN          | 2   |
| 4   | 41267.03 | PIN          | 1   |
| 5   | 9313075  | SCREW        | 5   |
| 6   | 9313085  | SCREW        | 1   |
| 7   | 9163005  | NUT          | 6   |
| 8   | 22667.02 | SLINGING EYE | 1   |
| 9   | 43158.02 | LOOP         | 1   |

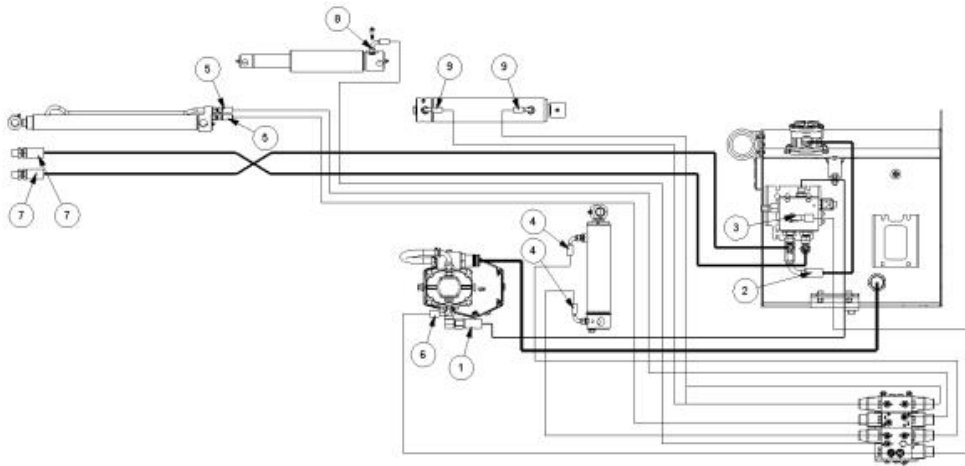
# 7434521 - MAIN ARM MODULE



| Ref | Part No  | Description         | QTY |
|-----|----------|---------------------|-----|
| 1   | 41199.11 | W/ASSY MAIN ARM     | 1   |
| 2   | 21149.01 | BUSH                | 2   |
| 3   | 0901121  | GREASER             | 3   |
| 4   | 22887.02 | TENSION LINK W/ASSY | 1   |
| 5   | 7105050  | BUSH                | 2   |
| 6   | 41268.02 | PIN                 | 1   |
| 7   | 9313045  | SCREW               | 1   |
| 8   | 9163005  | NUT                 | 1   |
| 9   | 41691.04 | PIN                 | 1   |
| 10  | 9313065  | SCREW               | 1   |
| 11  | 43114.02 | PIN                 | 1   |
| 12  | 45297.02 | PIN                 | 1   |
| 13  | 9501326  | PIN                 | 1   |
| 14  | 0431105  | PIN                 | 1   |
| 15  | 9100205  | WASHER              | 1   |
| 16  | 22668.02 | SHACKLE             | 1   |
| 17  | 9213114  | BOLT                | 2   |

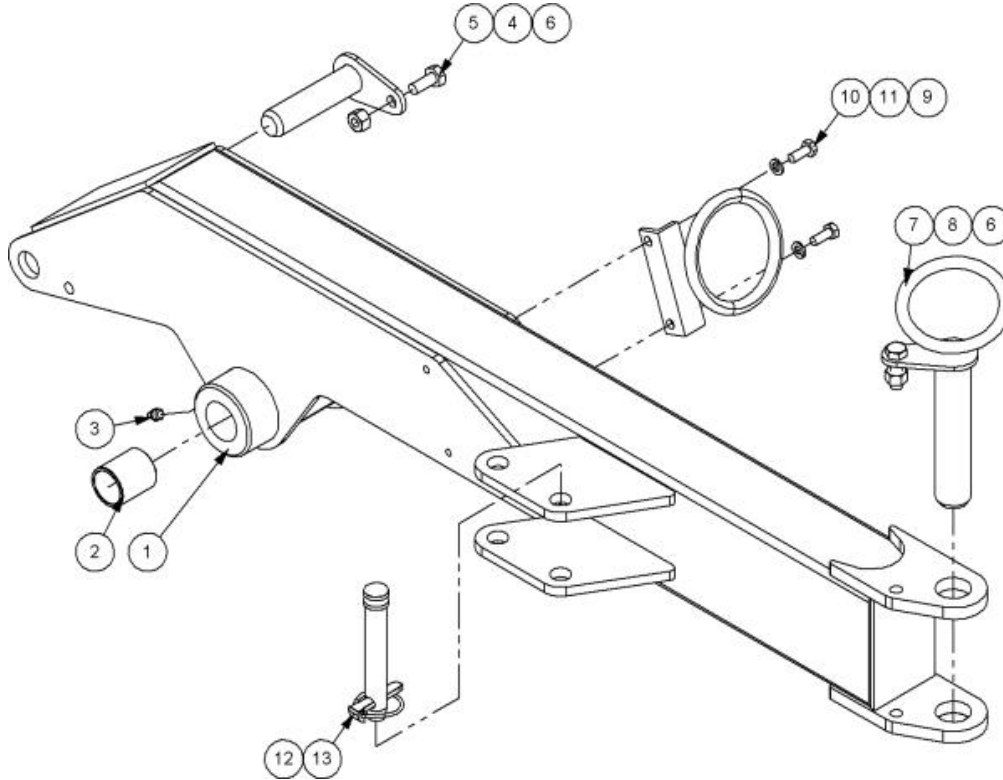
| <b>Ref</b> | <b>Part No</b> | <b>Description</b> | <b>QTY</b> |
|------------|----------------|--------------------|------------|
| 18         | 06.418.03      | PLATE              | 2          |
| 19         | 06.430.09      | CLAMP PAIR         | 2          |
| 20         | 9163004        | NUT                | 2          |
| 21         | 41199.60       | TRANSPORT PROP     | 1          |

# 743452209 - HOSE KIT



| Ref | Part No   | Description | QTY |
|-----|-----------|-------------|-----|
| 1   | 10.008.22 | HOSE        | 1   |
| 2   | 10.008.20 | HOSE        | 1   |
| 3   | 10.006.12 | HOSE        | 1   |
| 4   | 10.002.19 | HOSE        | 2   |
| 5   | 10.001.52 | HOSE        | 2   |
| 6   | 10.004.14 | HOSE        | 1   |
| 7   | 10.081.52 | HOSE        | 2   |
| 8   | 10.002.52 | HOSE        | 1   |
| 9   | 10.002.31 | HOSE        | 2   |

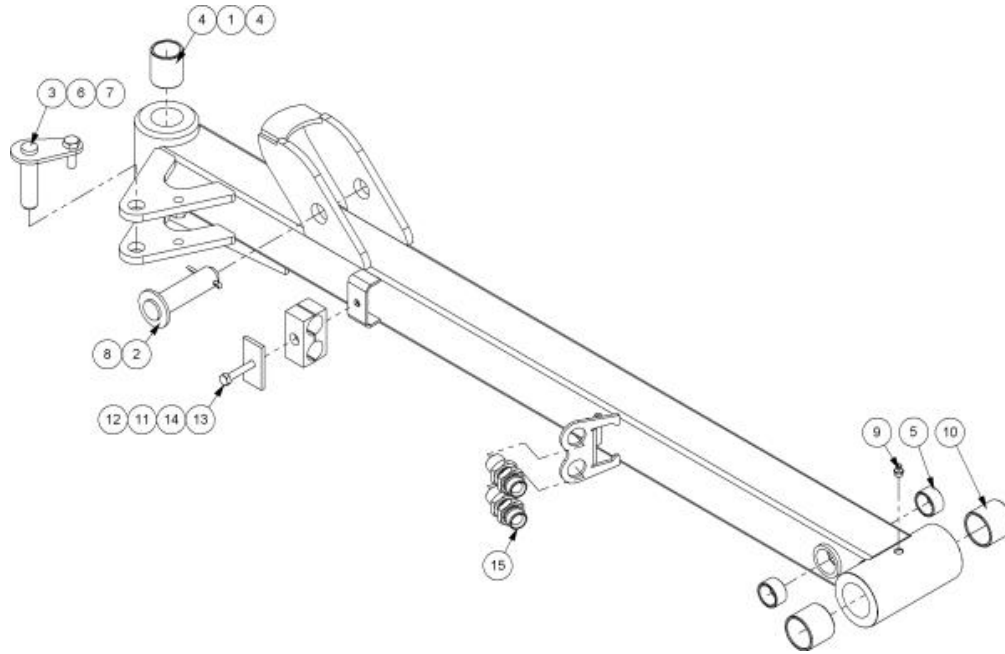
# 7434529 - DIPPER MODULE



| Ref | Part No  | Description | QTY |
|-----|----------|-------------|-----|
| 1   | 41201.10 | ARM -RH     | 1   |
| 2   | 21149.01 | BUSH        | 2   |
| 3   | 0901121  | GREASER     | 1   |
| 4   | 41267.05 | PIN         | 1   |
| 5   | 9313055  | SCREW       | 1   |
| 6   | 9163005  | NUT         | 2   |
| 7   | 41269.01 | PIN         | 1   |
| 8   | 9313075  | SCREW       | 1   |
| 9   | 21844.02 | HOSE LOOP   | 1   |
| 10  | 9313044  | SCREW       | 2   |
| 11  | 9100204  | WASHER      | 2   |
| 12  | 6310202  | PIN         | 1   |
| 13  | 0431217  | LINCH PIN   | 1   |

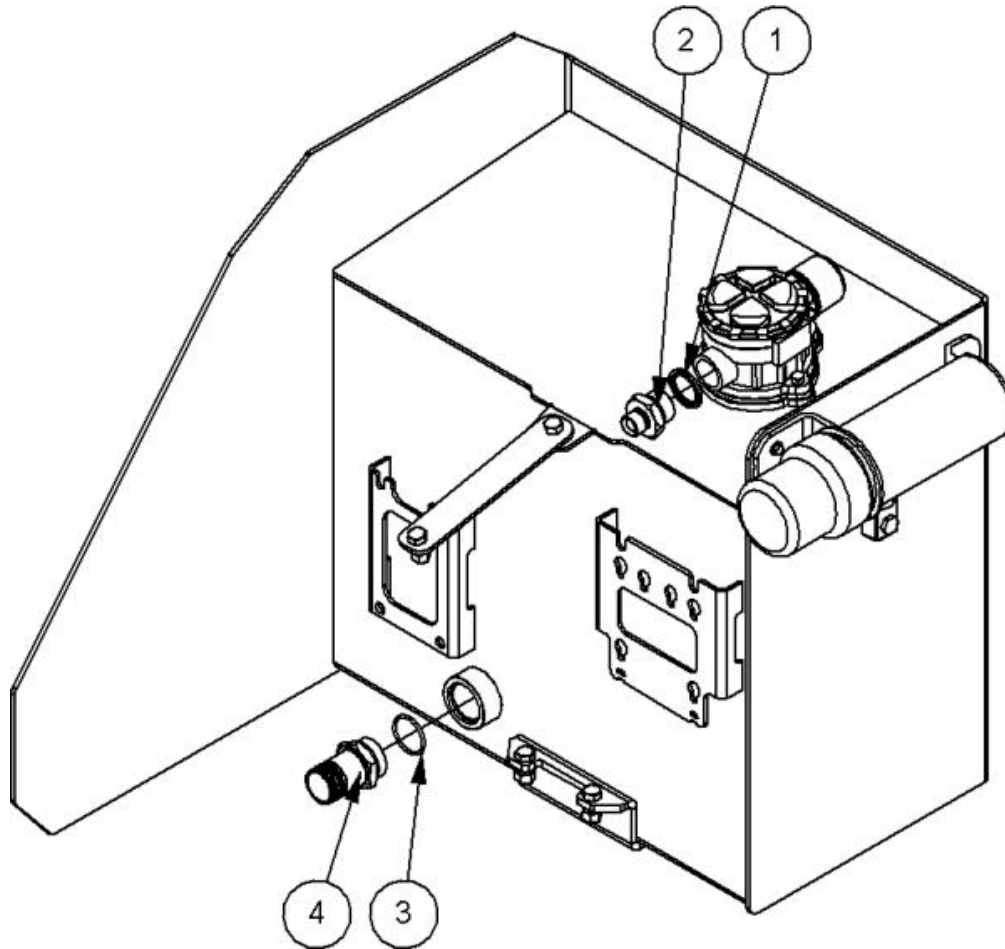


# 7434533 - MODULE DIPPER RH



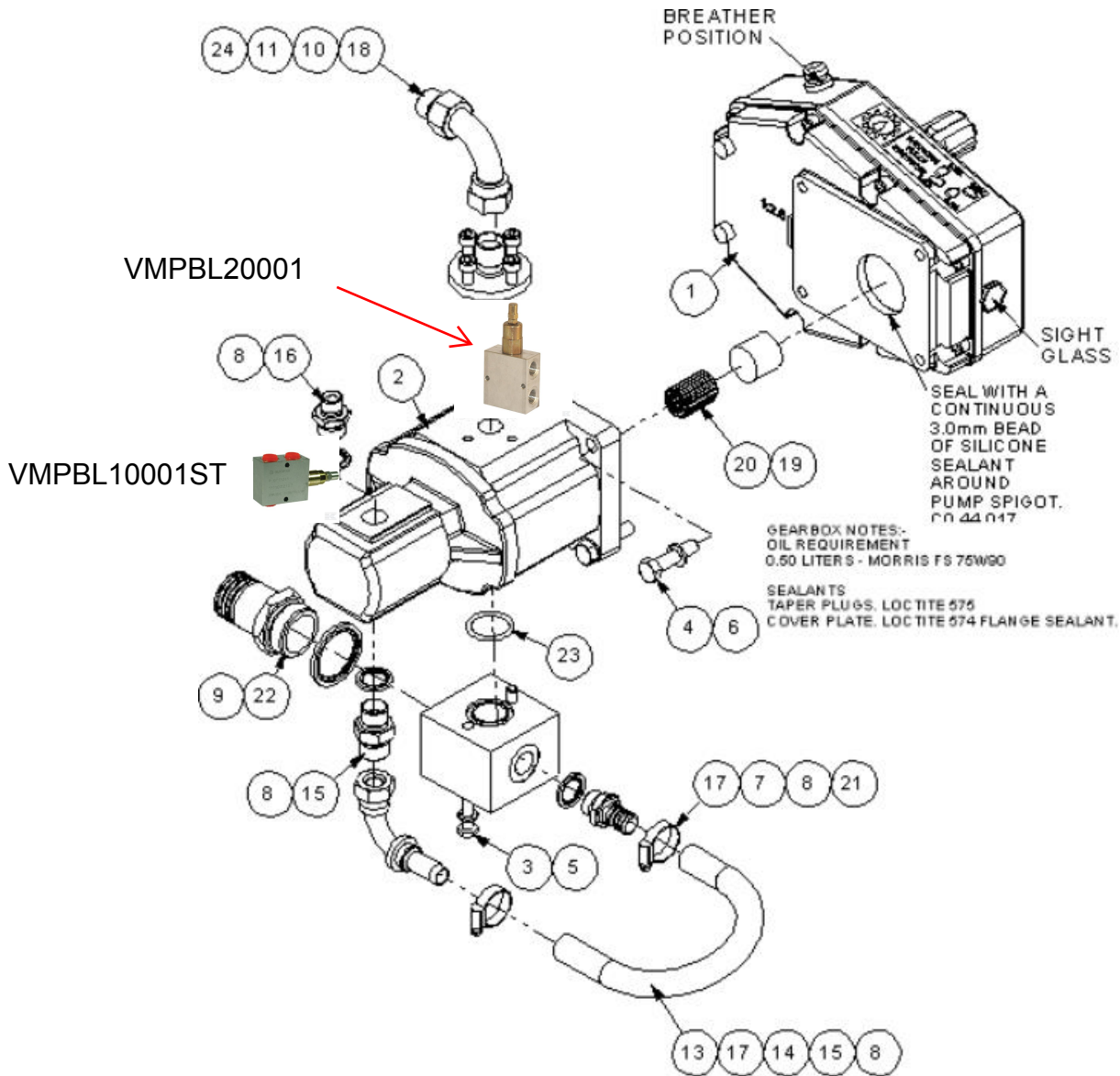
| Ref | Part No   | Description          | QTY |
|-----|-----------|----------------------|-----|
| 1   | 41202.06  | USE 41202.06Y OR.06B | 1   |
| 2   | 7191041   | PIN                  | 1   |
| 3   | 41270.01  | PIN                  | 1   |
| 4   | 21149.01  | BUSH                 | 2   |
| 5   | 7214060   | BUSH                 | 2   |
| 6   | 9313065   | SCREW                | 1   |
| 7   | 9163005   | NUT                  | 1   |
| 8   | 9501406   | PIN                  | 1   |
| 9   | 0901121   | GREASER              | 3   |
| 10  | 7213023   | BUSH                 | 2   |
| 11  | 06.430.09 | CLAMP PAIR           | 1   |
| 12  | 9163004   | NUT                  | 1   |
| 13  | 9213114   | BOLT                 | 1   |
| 14  | 06.418.03 | PLATE                | 1   |

# 7434540 - TANK FITTINGS



| Ref | Part No | Description | QTY |
|-----|---------|-------------|-----|
| 1   | 8650108 | SEAL        | 1   |
| 2   | 8581378 | ADAPTOR     | 1   |
| 3   | 8700784 | "O" RING    | 1   |
| 4   | 8581260 | ADAPTOR     | 1   |

# 7434542 - PUMP AND GEARBOX

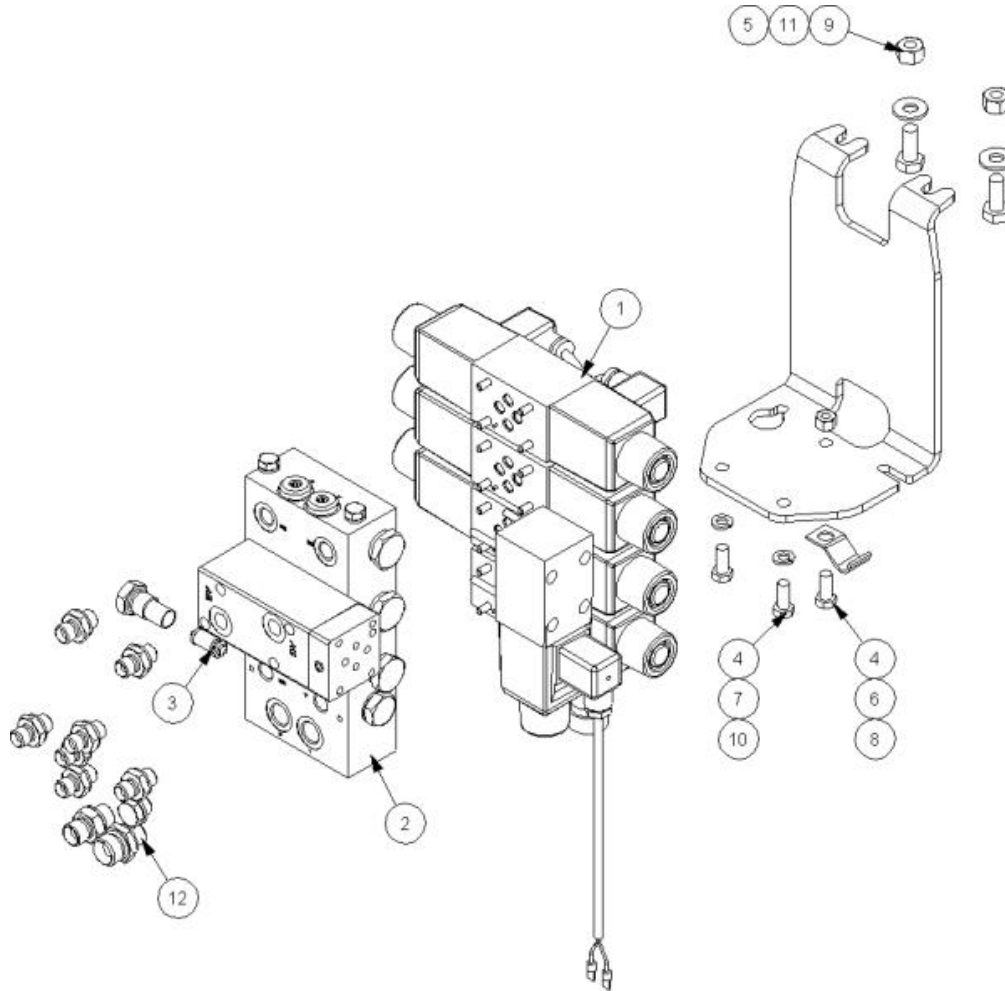


| Ref | Part No           | Description                     | QTY |
|-----|-------------------|---------------------------------|-----|
| 1   | KR-GBF 30ST 8-3.0 | Tandwielkast Heckenprofi Gen II | 1   |
| 1   | 8501010           | 5/8" RUBBER HOSE 250LG          | 1   |
| 2   | 8201693           | PUMP                            | 1   |
| 3   | 9213144           | BOLT                            | 2   |
| 4   | 9213095           | BOLT                            | 4   |
| 5   | 9100204           | WASHER                          | 2   |
| 6   | 9100205           | WASHER                          | 4   |
| 7   | 8002059           | CONNECTION                      | 1   |
| 8   | 8650104           | SEAL                            | 3   |
| 9   | 8650109           | SEAL                            | 1   |
| 10  | 8013083           | CONNECTION                      | 1   |
| 11  | 9300147           | SCREW                           | 4   |
| 12  | 1290030           | DECAL                           | 1   |
| 14  | 8581173           | ELBOW                           | 1   |

| Ref | Part No  | Description | QTY |
|-----|----------|-------------|-----|
| 15  | G3812120 | ADAPTOR     | 1   |
| 16  | 6000112  | ADAPTOR     | 1   |
| 17  | 0904204  | CLIP        | 2   |
| 18  | 8581565  | ADAPTOR     | 1   |
| 19  | 42415.02 | SPACER      | 1   |
| 20  | 8013097  | ADAPTOR     | 1   |
| 21  | 8581577  | BLOCK       | 1   |
| 22  | 8581260  | ADAPTOR     | 1   |
| 23  | 8600122  | "O" RING    | 1   |
| 24  | 8600119  | "O" RING    | 1   |



# 7434557 - ACV ASSY



| Ref | Part No         | Description     | QTY |
|-----|-----------------|-----------------|-----|
| 1   | <b>22525.57</b> | SOLENOID        | 1   |
| 2   | <b>22523.20</b> | MANIFOLD ASSY   | 1   |
| 3   | 8130029         | VALVE           | 1   |
| 4   | 9313044         | SCREW           | 5   |
| 5   | 9313055         | SCREW           | 2   |
| 6   | 7109151         | CLAMP           | 1   |
| 7   | 9100204         | WASHER          | 4   |
| 8   | 9163004         | NUT             | 1   |
| 9   | 9163005         | NUT             | 2   |
| 10  | 41196.57        | VALVE MTG PLATE | 1   |
| 11  | 9100105         | WASHER          | 2   |
| 12  | <b>22524.48</b> | ADAPTOR KIT     | 1   |

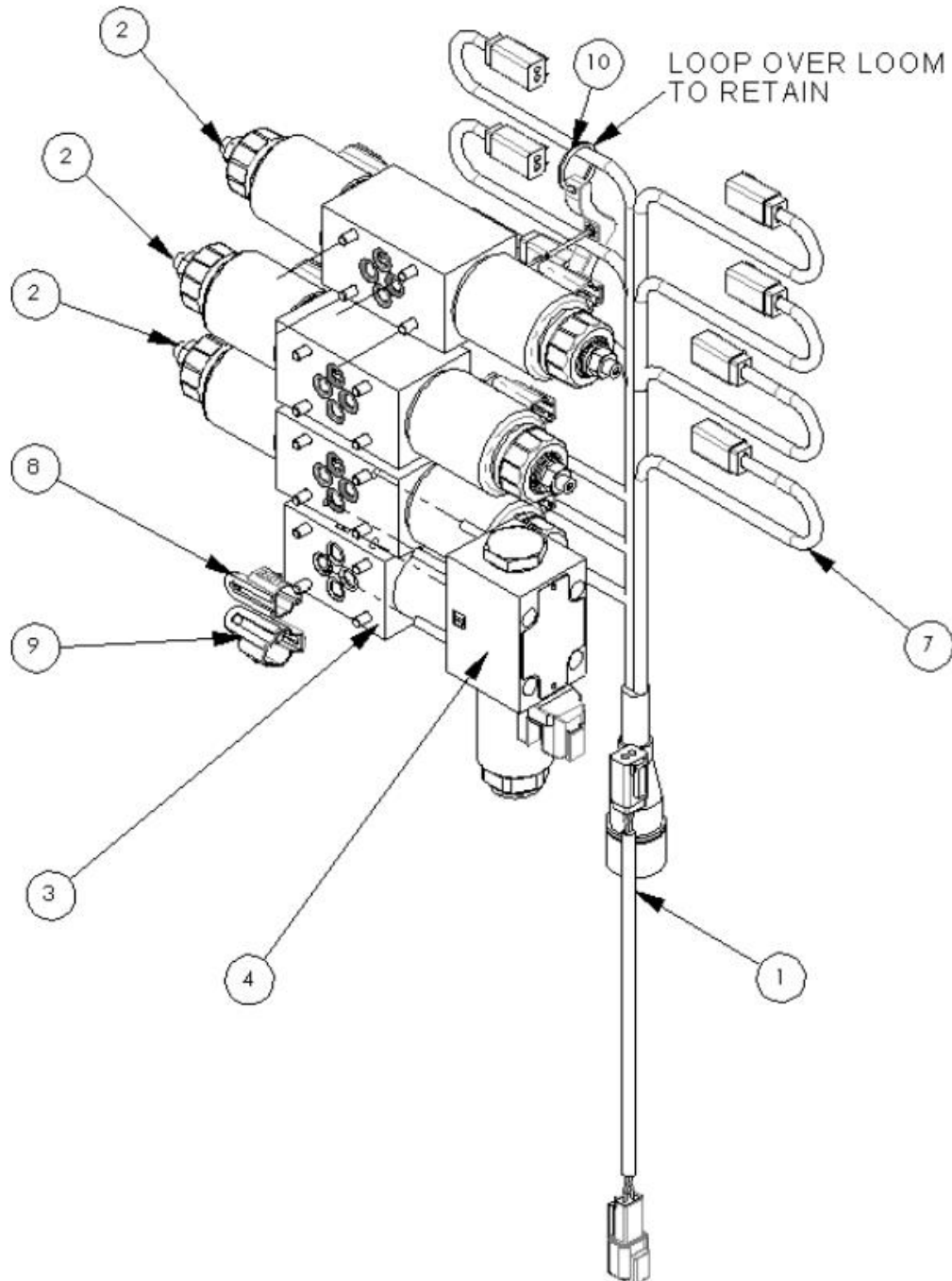


KHR04GP

Kogelkraan 1/4"

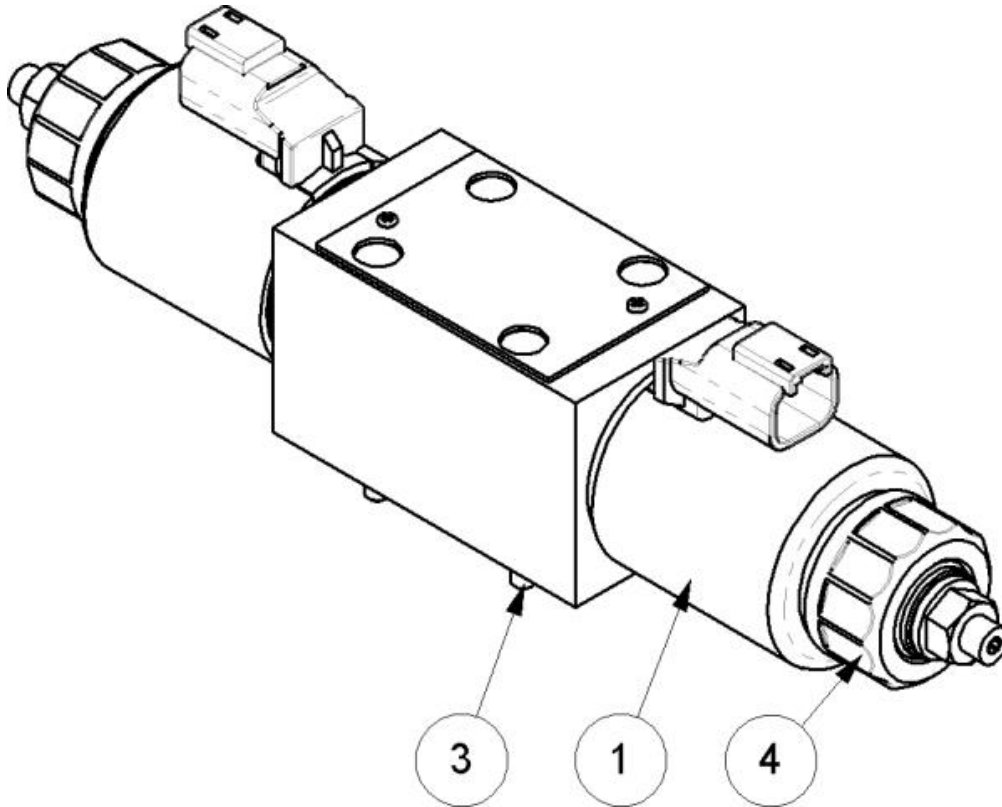
6

# 22525.57 - SOLENOID



| Ref | Part No         | Description                   | QTY |
|-----|-----------------|-------------------------------|-----|
| 1   | 41844.34        | LOOM ANGLE FLOAT DT CONNECTOR | 1   |
| 2   | <b>23550.11</b> | PROP DCV                      | 3   |
| 3   | <b>23550.13</b> | VALVE                         | 1   |
| 4   | <b>23550.15</b> | DCV                           | 1   |
| 7   | 41844.27        | LOOM 14 CORE 19WAY PLUG DT    | 1   |
| 8   | 45594.41        | SEALING CAP                   | 1   |
| 9   | 45594.42        | SEALING CAP                   | 1   |
| 22  | 23550.18        | TOOL - MANUAL SOL. OPERATION  | 1   |

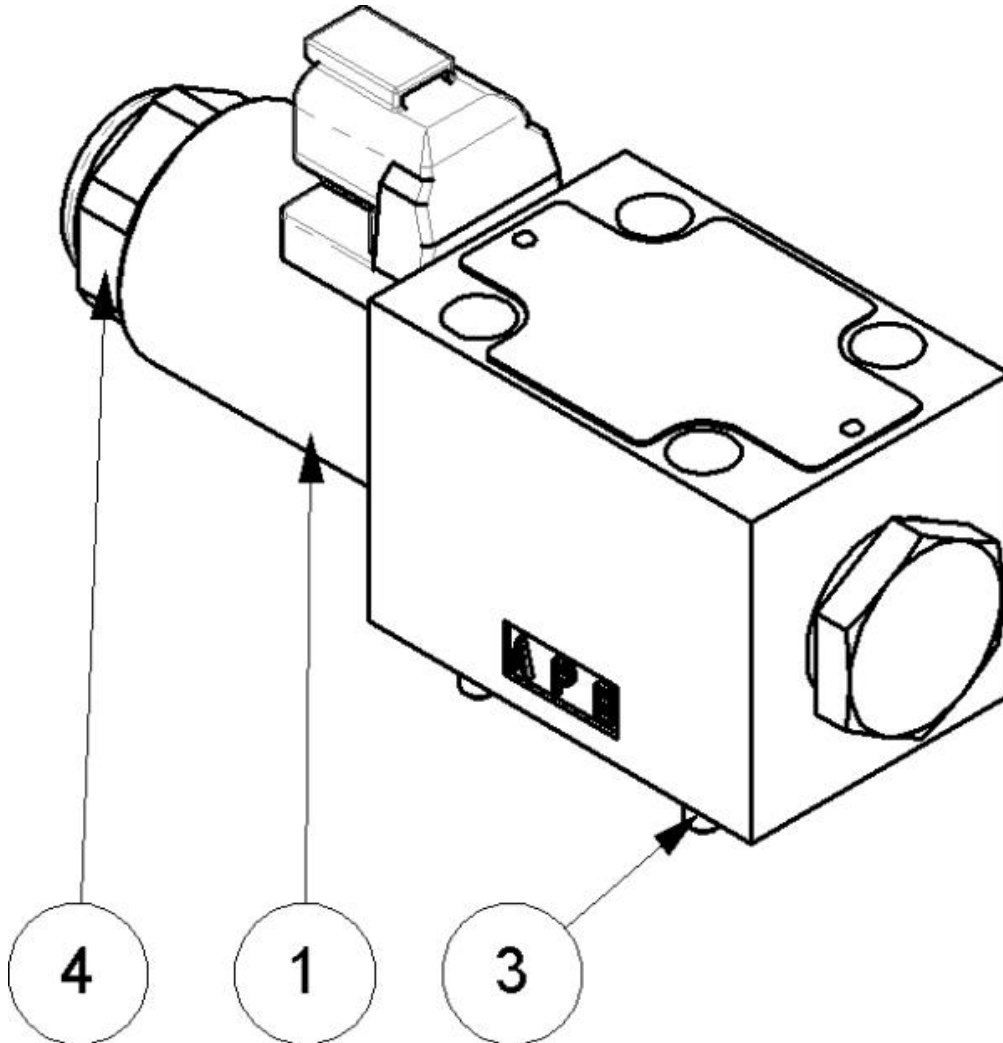
# 23550.11 - PROP DCV



| Ref | Part No  | Description | QTY |
|-----|----------|-------------|-----|
| 1   | 23550.37 | PROP COIL   | 2   |
| 2   | 23550.32 | SEAL KIT    | 1   |
| 3   | 9200076  | CAP SCREW   | 4   |
| 4   | 23550.35 | COIL NUT    | 2   |

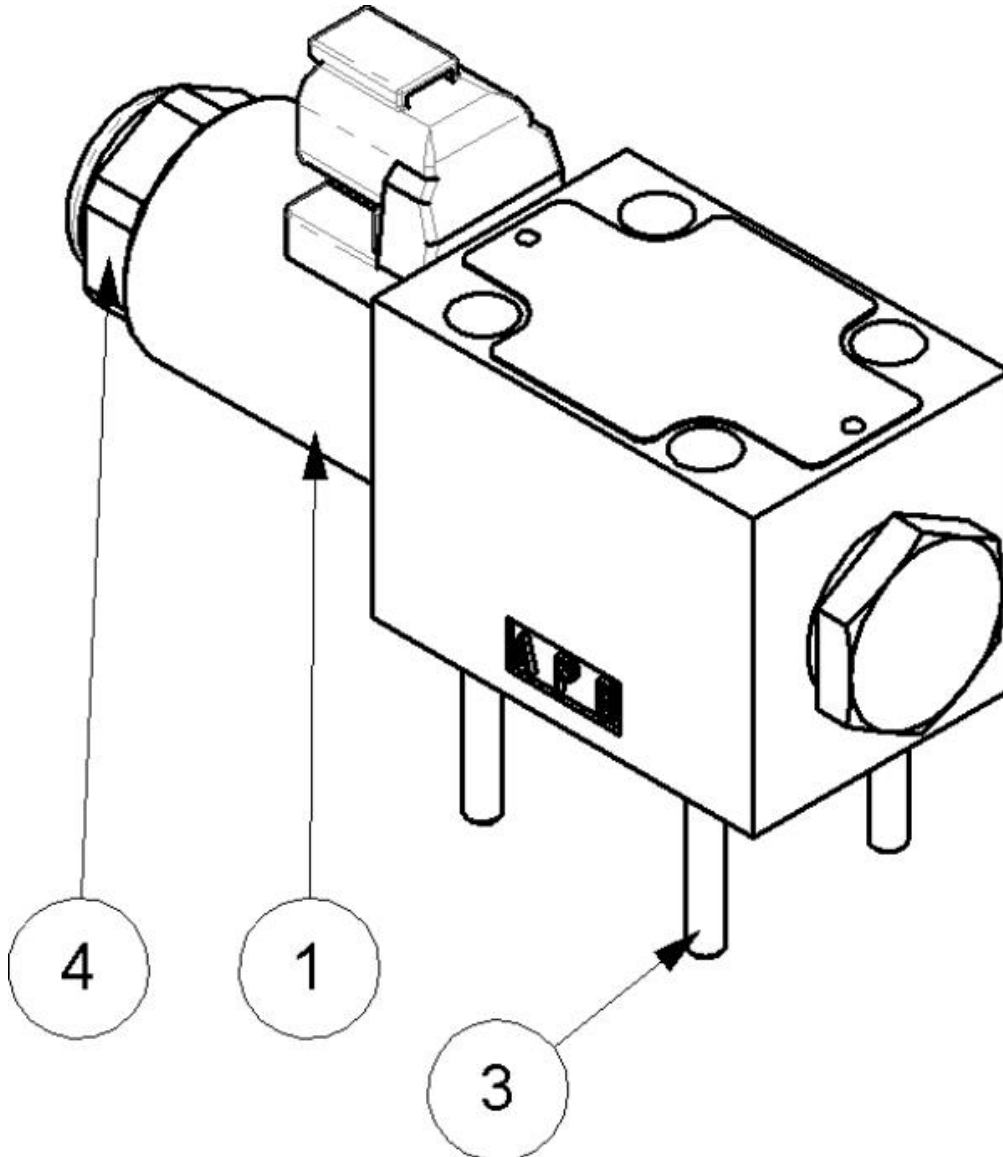


# 23550.13 - VALVE



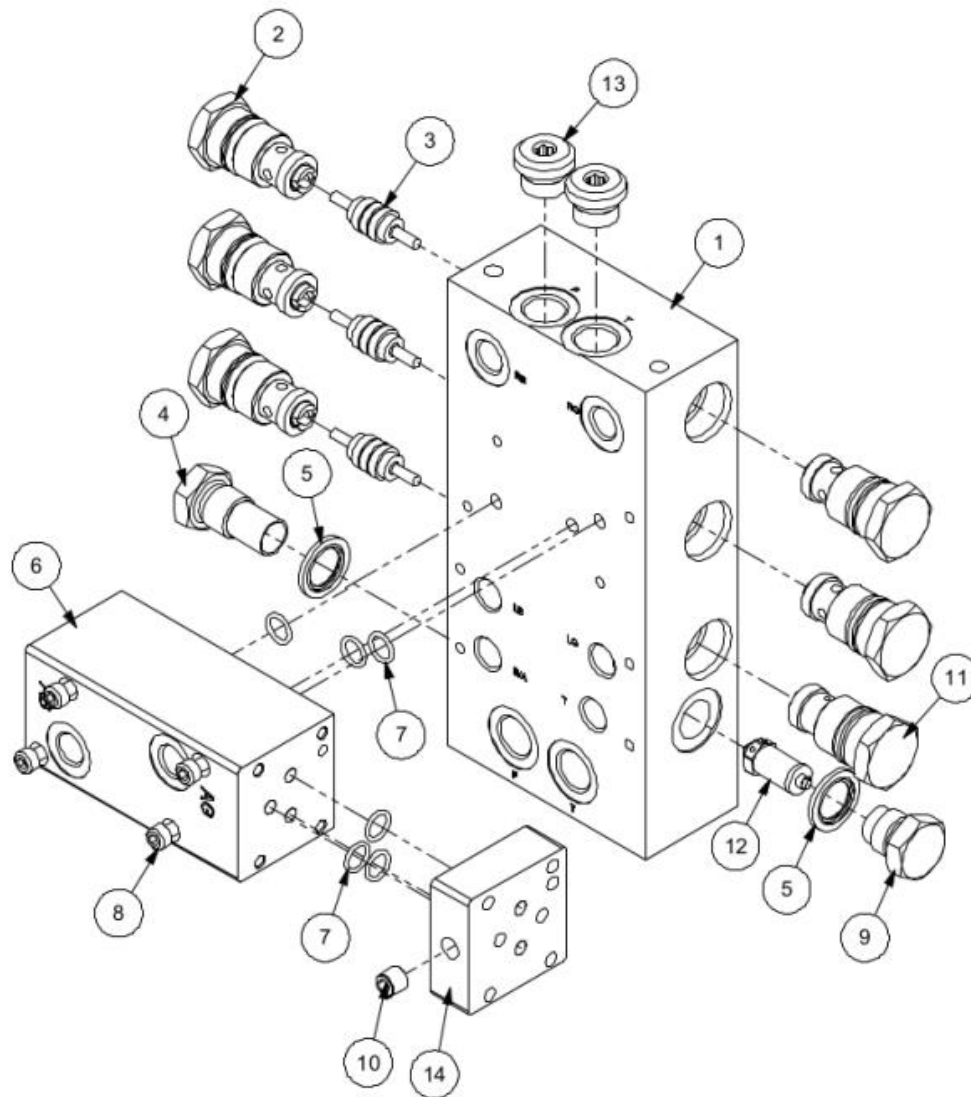
| Ref | Part No  | Description | QTY |
|-----|----------|-------------|-----|
| 1   | 23550.38 | COIL        | 1   |
| 2   | 23550.34 | SEAL KIT    | 1   |
| 3   | 9200077  | CAP SCREW   | 4   |
| 4   | 23550.36 | COIL NUT    | 1   |

# 23550.15 - DCV



| Ref | Part No  | Description | QTY |
|-----|----------|-------------|-----|
| 1   | 23550.38 | COIL        | 1   |
| 2   | 23550.34 | SEAL KIT    | 1   |
| 3   | 9200078  | CAP SCREW   | 4   |
| 4   | 23550.36 | COIL NUT    | 1   |

# 22523.20 - MANIFOLD ASSY



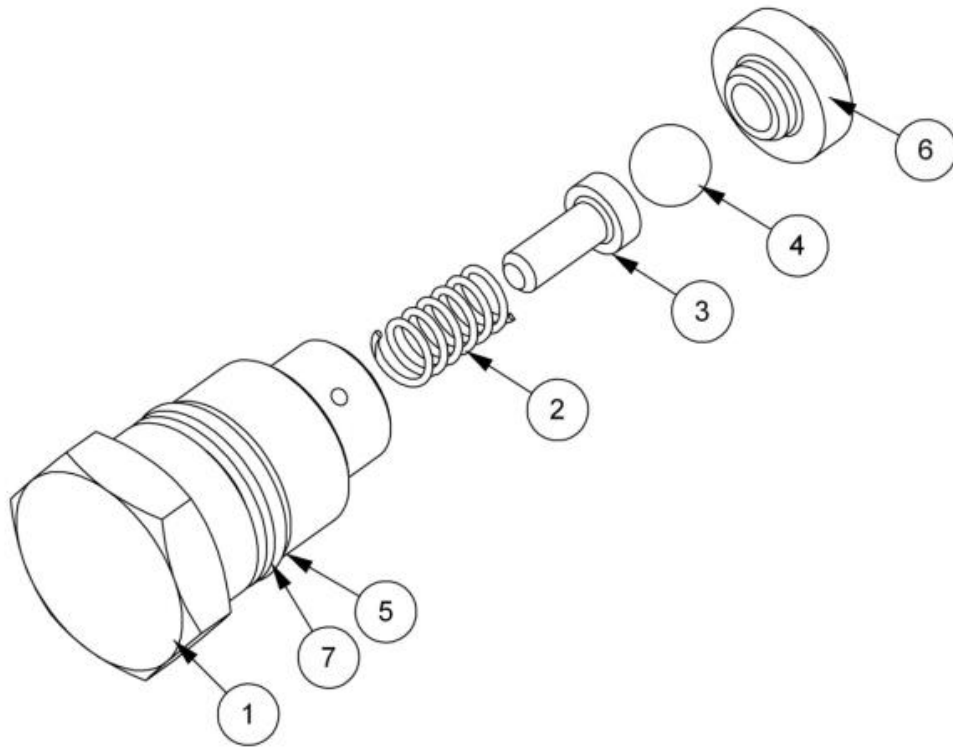
| Ref | Part No        | Description     | QTY |
|-----|----------------|-----------------|-----|
| 1   | <b>8132309</b> | MANIFOLD 3 BANK | 1   |
| 2   | <b>8130090</b> | VALVE           | 5   |
| 3   | 8130087        | ACTUATOR        | 3   |
| 4   | 8130032        | CAP             | 1   |
| 5   | 8650103        | SEAL            | 2   |
| 6   | <b>8126333</b> | BLOCK           | 1   |
| 7   | 8700511        | "O" RING        | 6   |
| 8   | 9243082        | SCREW           | 4   |
| 9   | 8130031        | CAP             | 1   |
| 10  | 8582041        | PLUG            | 2   |
| 11  | <b>8130354</b> | VALVE           | 1   |
| 12  | 8130164        | VALVE           | 1   |
| 13  | 8581436        | ADAPTOR         | 2   |
| 14  | <b>8126334</b> | PLATE           | 1   |

# 8132309 - MANIFOLD 3 BANK

No Picture  
Available

| Ref | Part No  | Description | QTY |
|-----|----------|-------------|-----|
| 1   | 8130303S | BLOCK       | 1   |

# 8130090 - VALVE

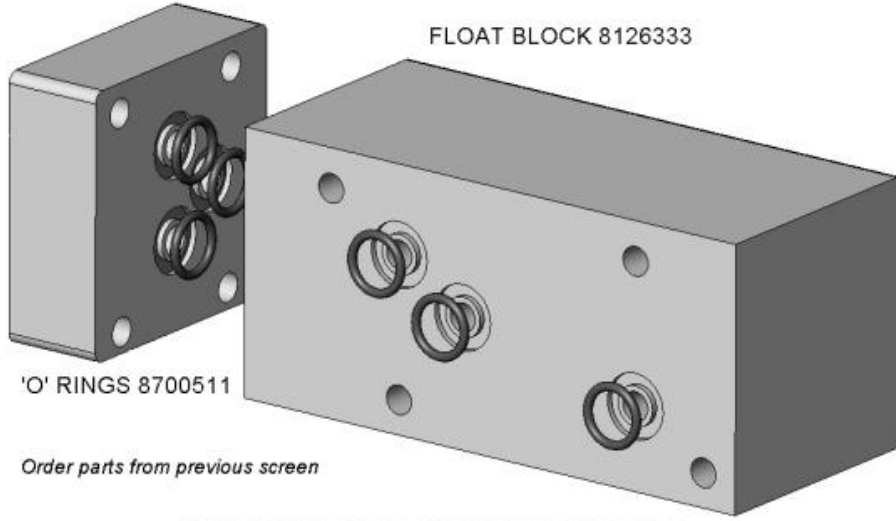


| Ref | Part No | Description   | QTY |
|-----|---------|---------------|-----|
| 1   | 8130025 | CAP           | 1   |
| 2   | 8114045 | SPRING        | 1   |
| 3   | 8130089 | GUIDE         | 1   |
| 4   | 0905509 | BALL          | 1   |
| 5   | 8700644 | "O" RING      | 1   |
| 6   | 8130088 | SEAT          | 1   |
| 7   | 8709644 | ANTI.EXT.RING | 1   |

# 8126333 - BLOCK

BRIDGING PLATE 8126334

FLOAT BLOCK 8126333



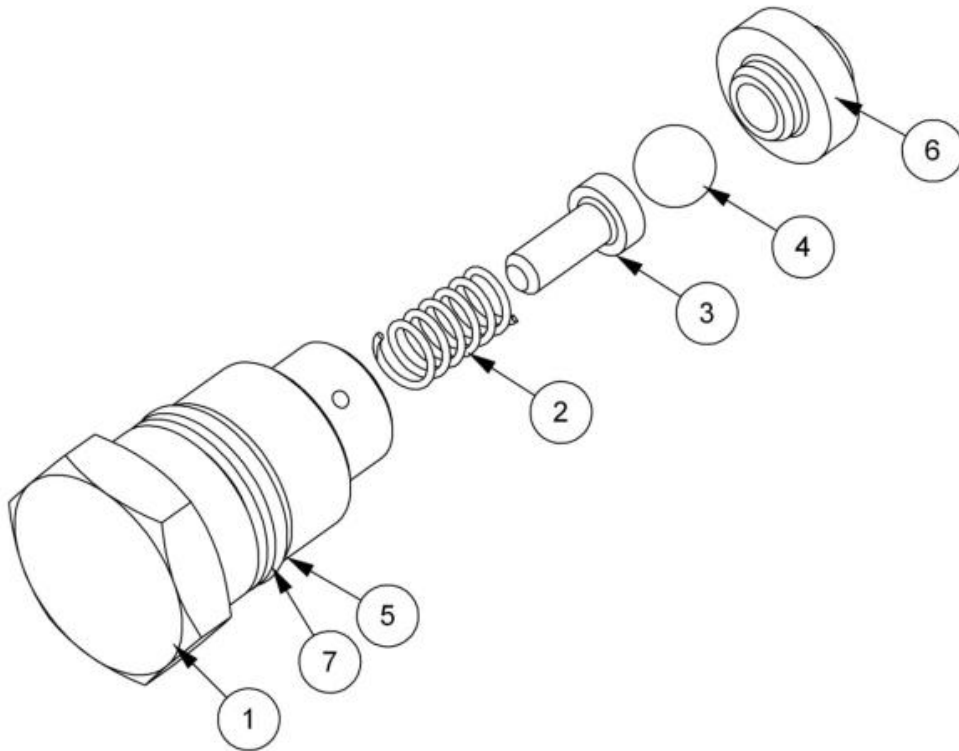
'O' RINGS 8700511

*Order parts from previous screen*

### IDENTIFICATION & LOCATION OF 'O' RINGS

| Ref | Part No | Description   | QTY |
|-----|---------|---------------|-----|
| 1   | 0036    | BRIGHT SQUARE | 116 |

# 8130354 - VALVE

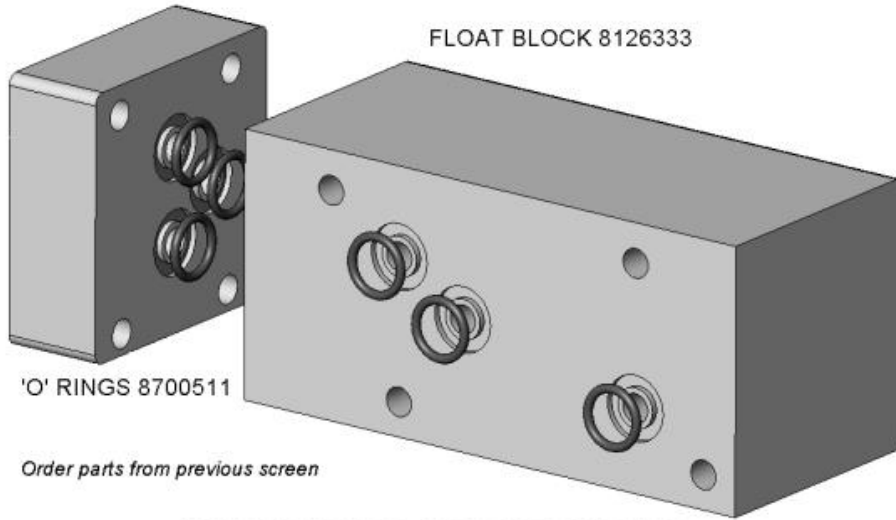


| Ref | Part No | Description   | QTY |
|-----|---------|---------------|-----|
| 1   | 8130209 | CAP           | 1   |
| 2   | 8114045 | SPRING        | 1   |
| 3   | 8130089 | GUIDE         | 1   |
| 4   | 0905509 | BALL          | 1   |
| 5   | 8700644 | "O" RING      | 1   |
| 6   | 8130088 | SEAT          | 1   |
| 7   | 8709644 | ANTI.EXT.RING | 1   |

# 8126334 - PLATE

BRIDGING PLATE 8126334

FLOAT BLOCK 8126333



'O' RINGS 8700511

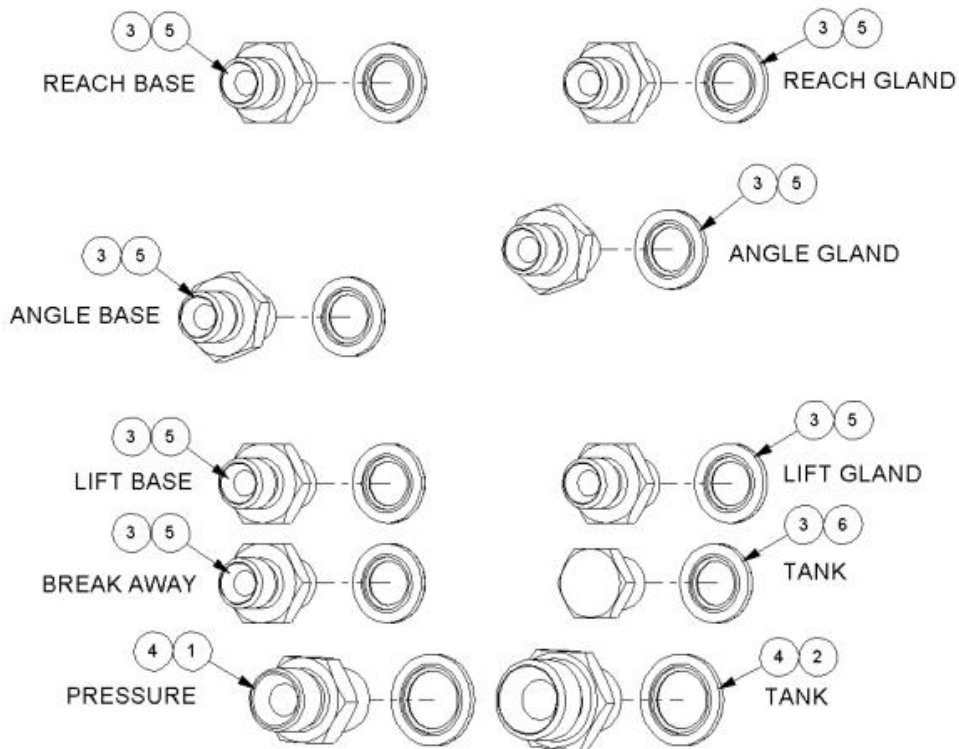
*Order parts from previous screen*

### IDENTIFICATION & LOCATION OF 'O' RINGS

| Ref | Part No | Description   | QTY |
|-----|---------|---------------|-----|
| 1   | 0036    | BRIGHT SQUARE | 26  |

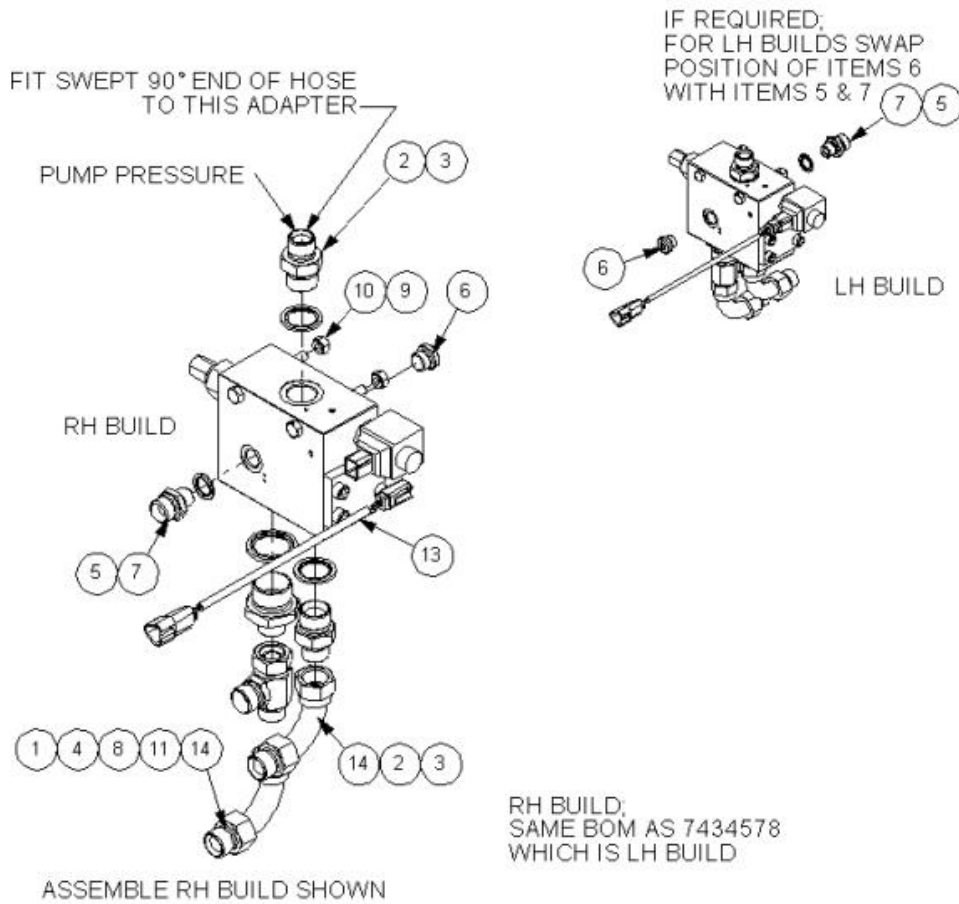


# 22524.48 - ADAPTOR KIT



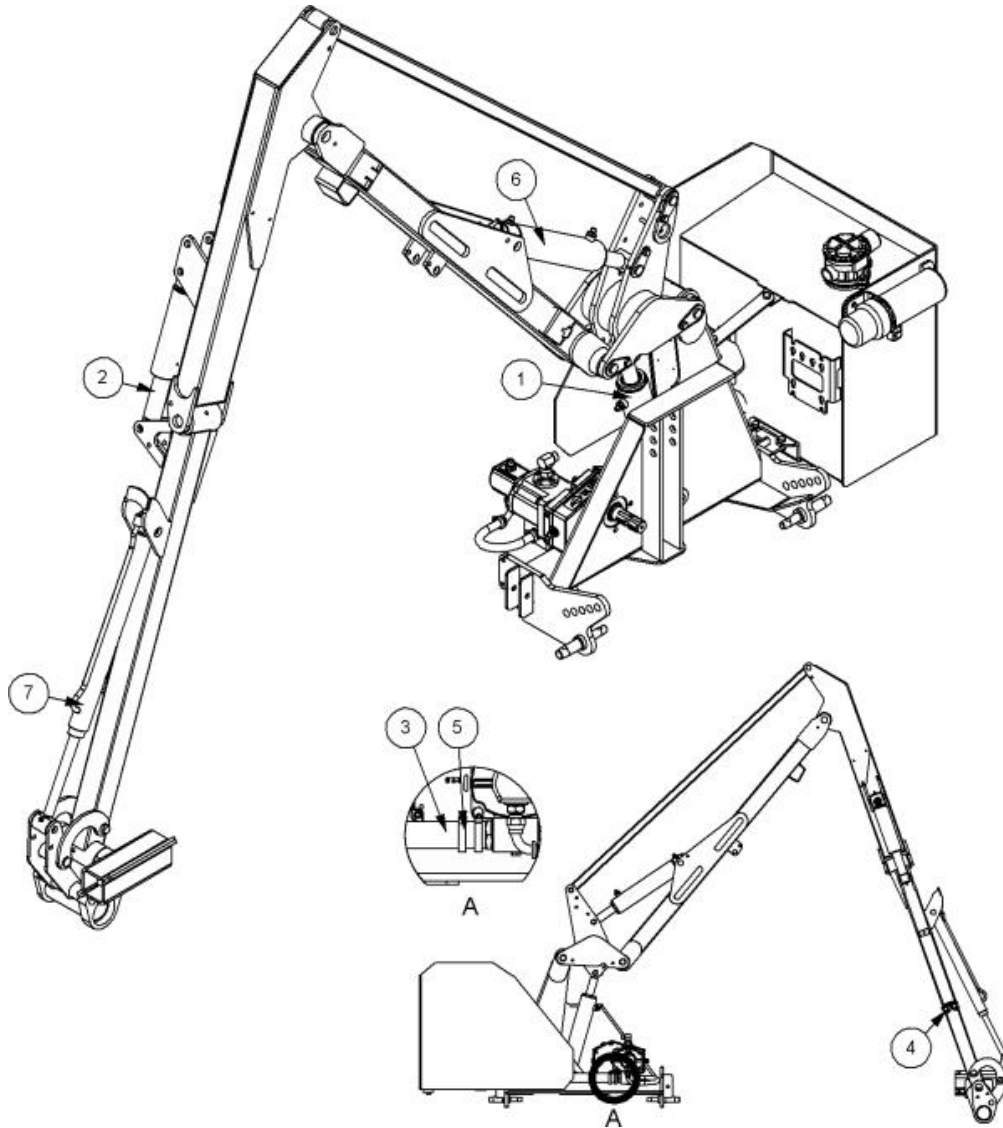
| Ref | Part No | Description | QTY |
|-----|---------|-------------|-----|
| 1   | 6000113 | ADAPTOR     | 1   |
| 2   | 6000112 | ADAPTOR     | 1   |
| 3   | 8650102 | SEAL        | 8   |
| 4   | 8650103 | SEAL        | 2   |
| 5   | 8581169 | ADAPTOR     | 7   |
| 6   | 520378  | ADAPTOR     | 1   |

# 7434568 - RCV ON/OFF



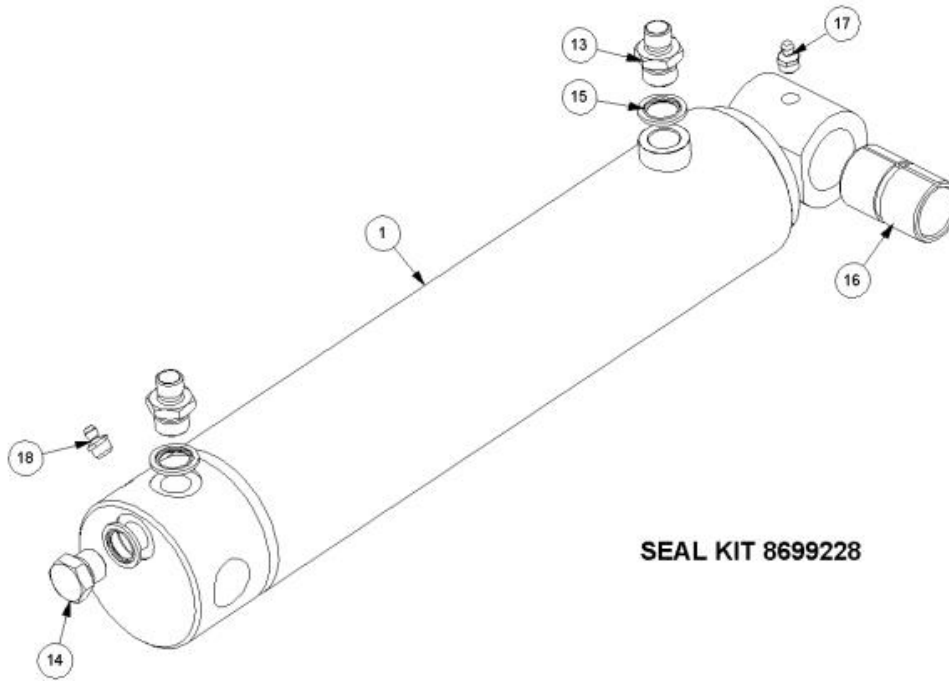
| Ref | Part No  | Description             | QTY |
|-----|----------|-------------------------|-----|
| 1   | 23741.01 | RELIEF VALVE / DIVERTER | 1   |
| 2   | 8581270  | ADAPTOR                 | 2   |
| 3   | 8650106  | SEAL                    | 2   |
| 4   | 8650108  | SEAL                    | 1   |
| 5   | 8650103  | SEAL                    | 1   |
| 6   | 8581436  | ADAPTOR                 | 1   |
| 7   | 6000112  | ADAPTOR                 | 1   |
| 8   | 8581378  | ADAPTOR                 | 1   |
| 9   | 9213164  | BOLT                    | 2   |
| 10  | 9163004  | NUT                     | 2   |
| 11  | 8581460  | ADAPTOR                 | 1   |
| 13  | 41844.57 | RCV LOOM ON/OFF DT      | 1   |
| 14  | 8581565  | ADAPTOR                 | 2   |

# 7434574 - HYD INST



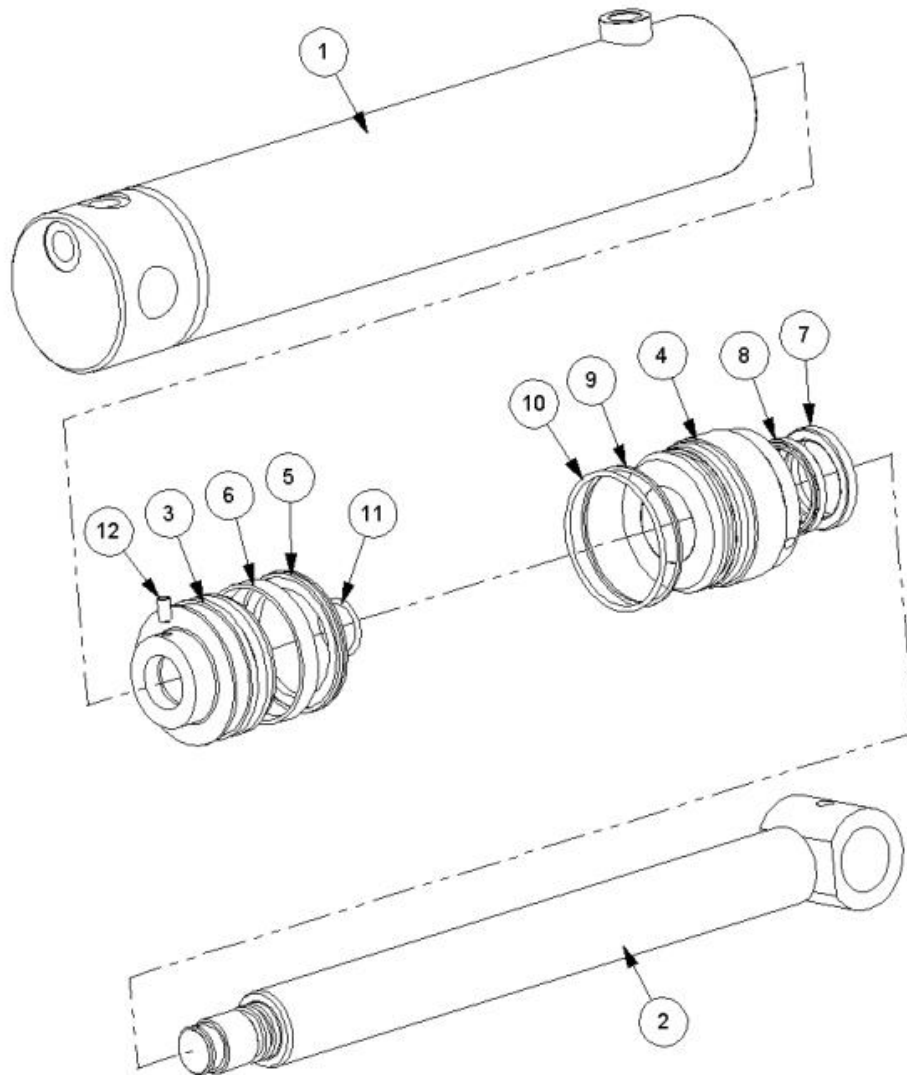
| Ref | Part No         | Description   | QTY |
|-----|-----------------|---------------|-----|
| 1   | <b>41014.12</b> | RAM           | 1   |
| 2   | <b>41322.02</b> | RAM           | 1   |
| 3   | 8501468         | HOSE          | 1   |
| 4   | G3812119        | ADAPTOR       | 2   |
| 5   | 0904107         | CLIP          | 4   |
| 6   | <b>41014.13</b> | RAM           | 1   |
| 7   | <b>7191072</b>  | RAM           | 1   |
| 8   | 7196045         | HOSE TIE      | 15  |
| 9   | 05.835.01       | ADAPTOR       | 1   |
| 10  | 8581565         | ADAPTOR       | 1   |
| 11  | 22591.26        | HOSE SLEEVING | 1   |

# 41014.12 - RAM



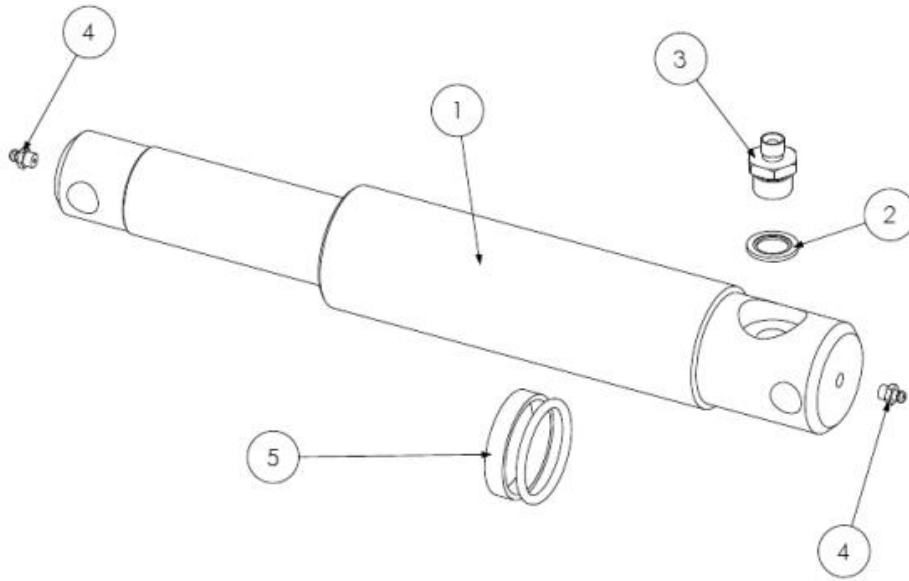
| Ref | Part No           | Description    | QTY |
|-----|-------------------|----------------|-----|
| 1   | <b>41014.12AP</b> | LIFT/REACH RAM | 1   |
| 1   | 41014.12P         | RAM -PAINTED   | 0   |
| 1   | 8699228           | SEAL KIT       | 0   |
| 13  | 8130048           | RESTRICTOR     | 2   |
| 14  | 8003001           | PLUG           | 1   |
| 15  | 8650103           | SEAL           | 3   |
| 16  | 7105050           | BUSH           | 1   |
| 17  | 0901121           | GREASER        | 1   |
| 18  | 0901124           | GREASER        | 1   |

# 41014.12AP - LIFT/REACH RAM



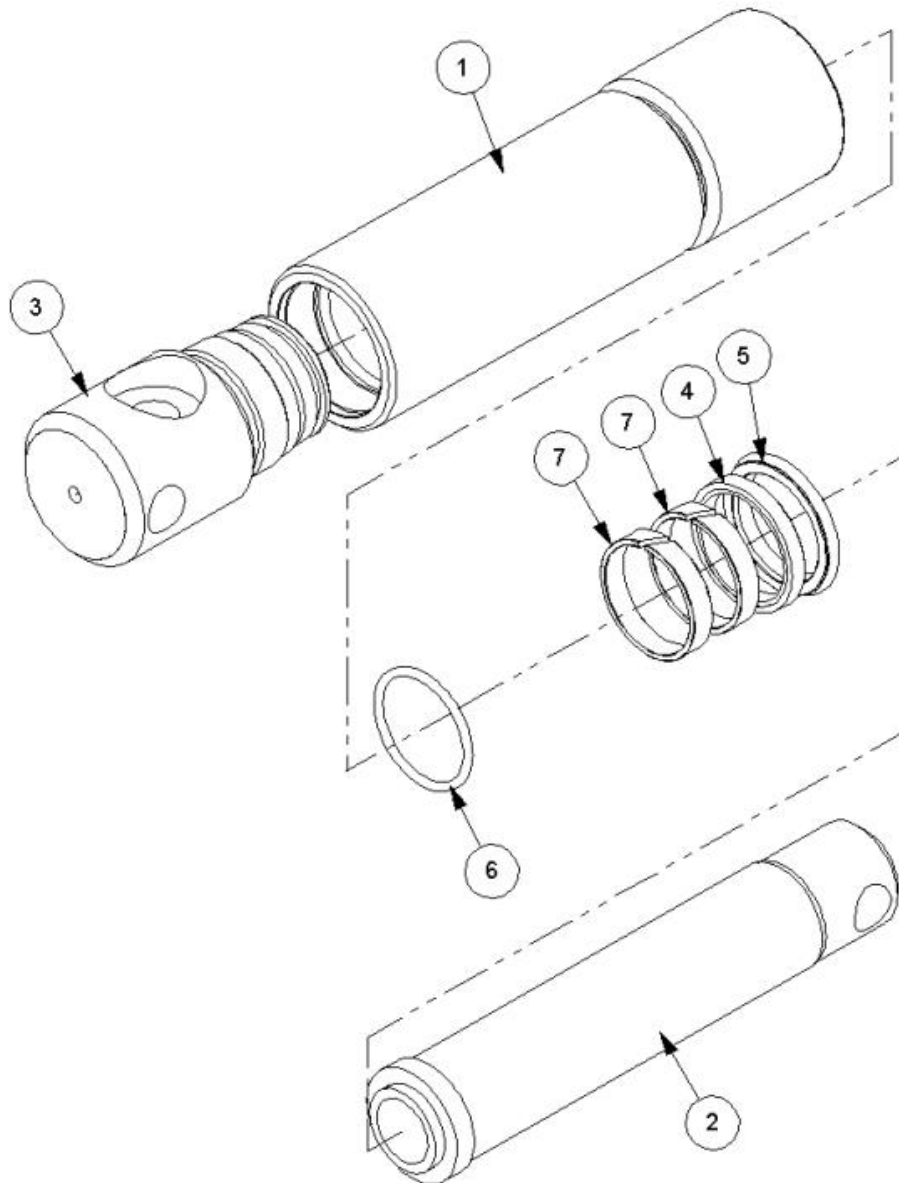
| Ref | Part No  | Description   | QTY |
|-----|----------|---------------|-----|
| 1   | 41034.03 | BARREL        | 1   |
| 2   | 41035.03 | RAM ROD       | 1   |
| 3   | 7120383  | PISTON        | 1   |
| 4   | 7120384  | HOUSING       | 1   |
| 5   | 8629189  | SEAL          | 1   |
| 6   | 8629190  | SEAL          | 1   |
| 7   | 8629147  | SEAL          | 1   |
| 8   | 8629164  | SEAL          | 1   |
| 9   | 8609429  | ANTI.EXT.RING | 1   |
| 10  | 8600429  | "O" RING      | 1   |
| 11  | 8600403  | "O" RING      | 1   |
| 12  | 9363023  | SCREW         | 1   |

# 41322.02 - RAM



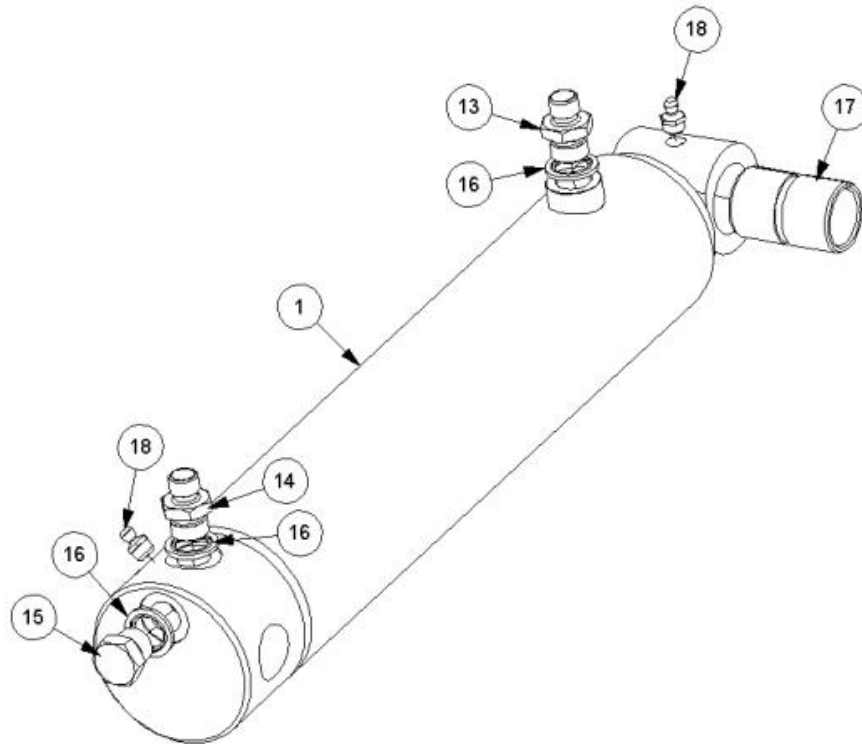
| Ref | Part No          | Description  | QTY |
|-----|------------------|--------------|-----|
| 1   | <b>7198292AP</b> | RAM          | 1   |
| 1   | 7198292P         | RAM -PAINTED | 0   |
| 2   | 8650104          | SEAL         | 1   |
| 3   | 8130083          | BODY         | 1   |
| 4   | 8130189          | VALVE        | 1   |
| 5   | 8116011          | SPRING       | 1   |
| 6   | 0901121          | GREASER      | 2   |

# 7198292AP - RAM



| Ref | Part No | Description | QTY |
|-----|---------|-------------|-----|
| 1   | 7191051 | PISTON ROD  | 1   |
| 2   | 7191051 | PISTON ROD  | 1   |
| 3   | 7191299 | PLUG        | 1   |
| 4   | 8629158 | SEAL        | 1   |
| 5   | 8629152 | SEAL        | 1   |
| 6   | 8600302 | "O" RING    | 1   |
| 7   | 8629273 | ROD BEARING | 2   |

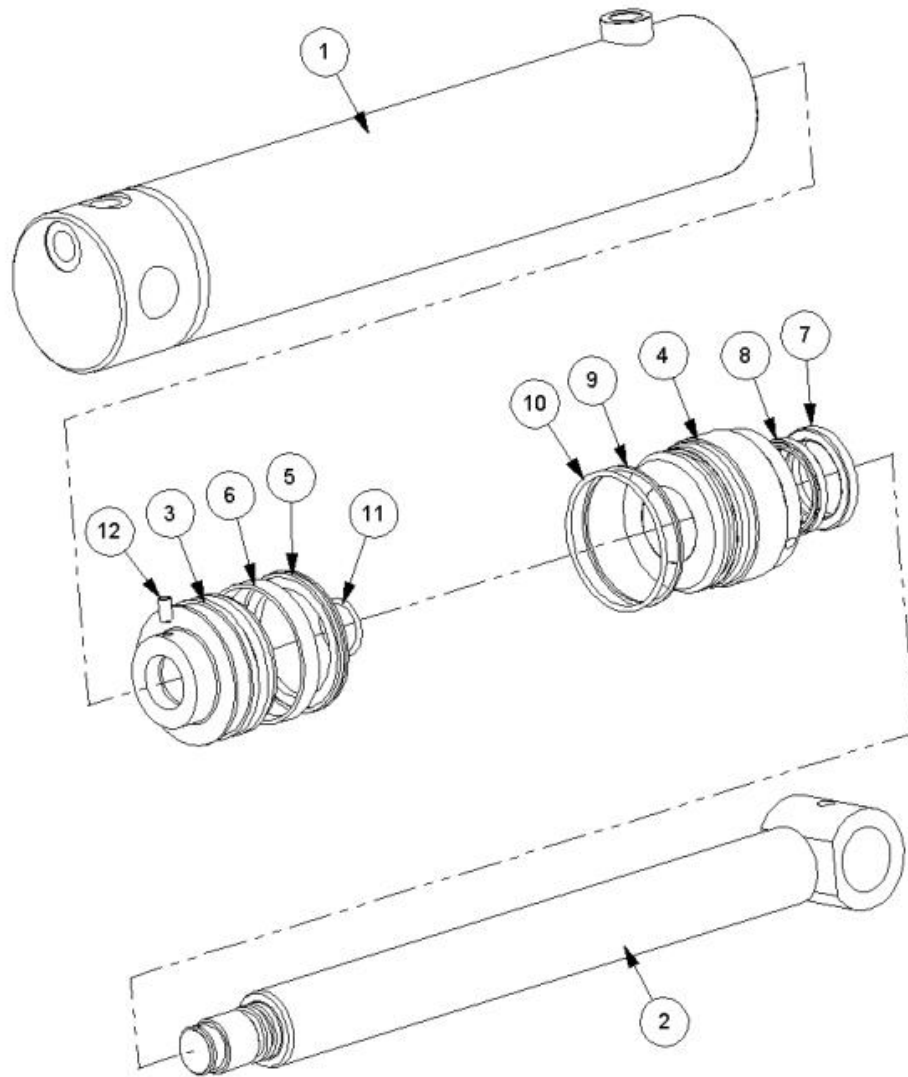
# 41014.13 - RAM



| Ref | Part No           | Description    | QTY |
|-----|-------------------|----------------|-----|
| 1   | <b>41014.12AP</b> | LIFT/REACH RAM | 1   |
| 1   | 41014.12P         | RAM -PAINTED   | 0   |
| 1   | 8699228           | SEAL KIT       | 0   |
| 13  | 8130066           | RESTRICTOR     | 1   |
| 14  | 8130046           | RESTRICTOR     | 1   |
| 15  | 8003001           | PLUG           | 1   |
| 16  | 8650103           | SEAL           | 3   |
| 17  | 7105050           | BUSH           | 1   |
| 18  | 0901121           | GREASER        | 2   |

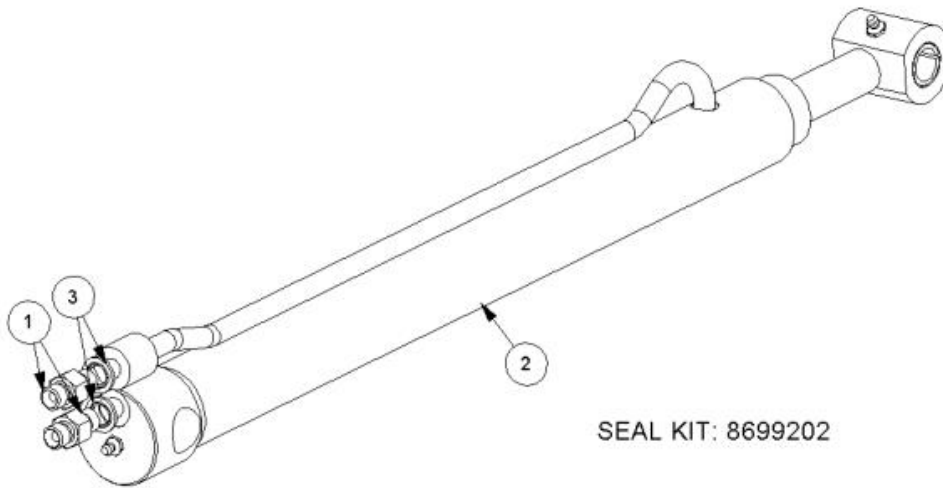


# 41014.12AP - LIFT/REACH RAM



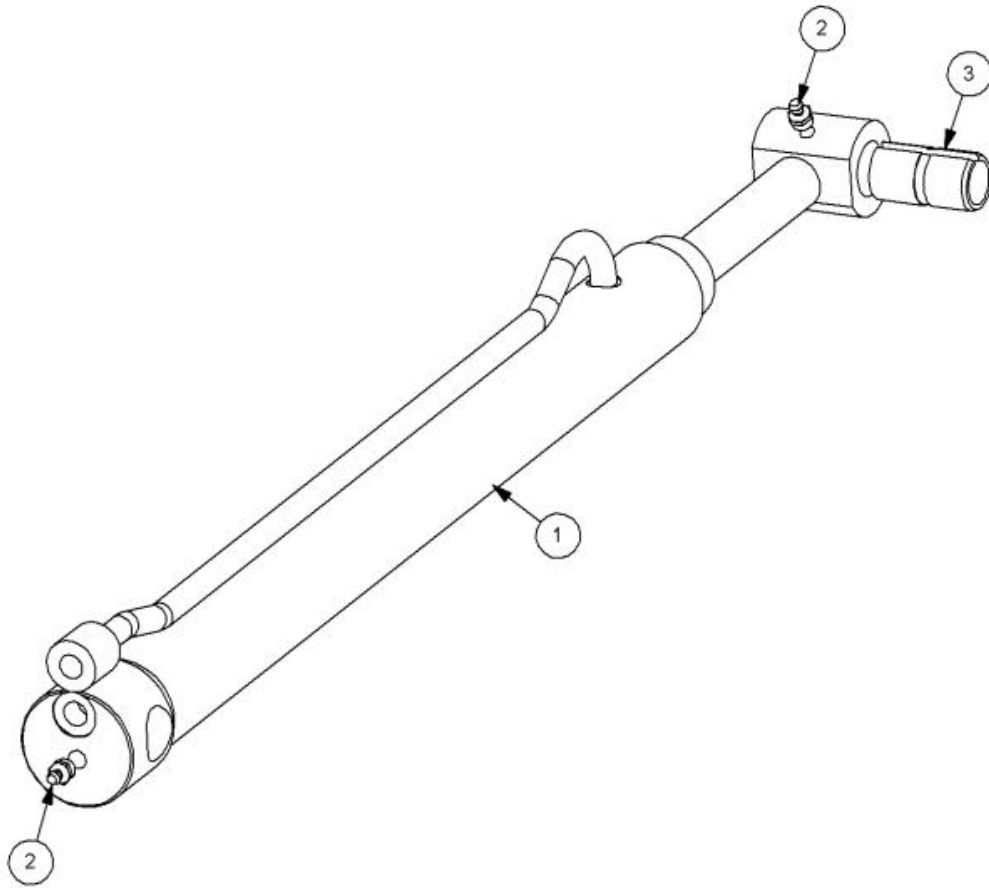
| Ref | Part No  | Description   | QTY |
|-----|----------|---------------|-----|
| 1   | 41034.03 | BARREL        | 1   |
| 2   | 41035.03 | RAM ROD       | 1   |
| 3   | 7120383  | PISTON        | 1   |
| 4   | 7120384  | HOUSING       | 1   |
| 5   | 8629189  | SEAL          | 1   |
| 6   | 8629190  | SEAL          | 1   |
| 7   | 8629147  | SEAL          | 1   |
| 8   | 8629164  | SEAL          | 1   |
| 9   | 8609429  | ANTI.EXT.RING | 1   |
| 10  | 8600429  | "O" RING      | 1   |
| 11  | 8600403  | "O" RING      | 1   |
| 12  | 9363023  | SCREW         | 1   |

# 7191072 - RAM



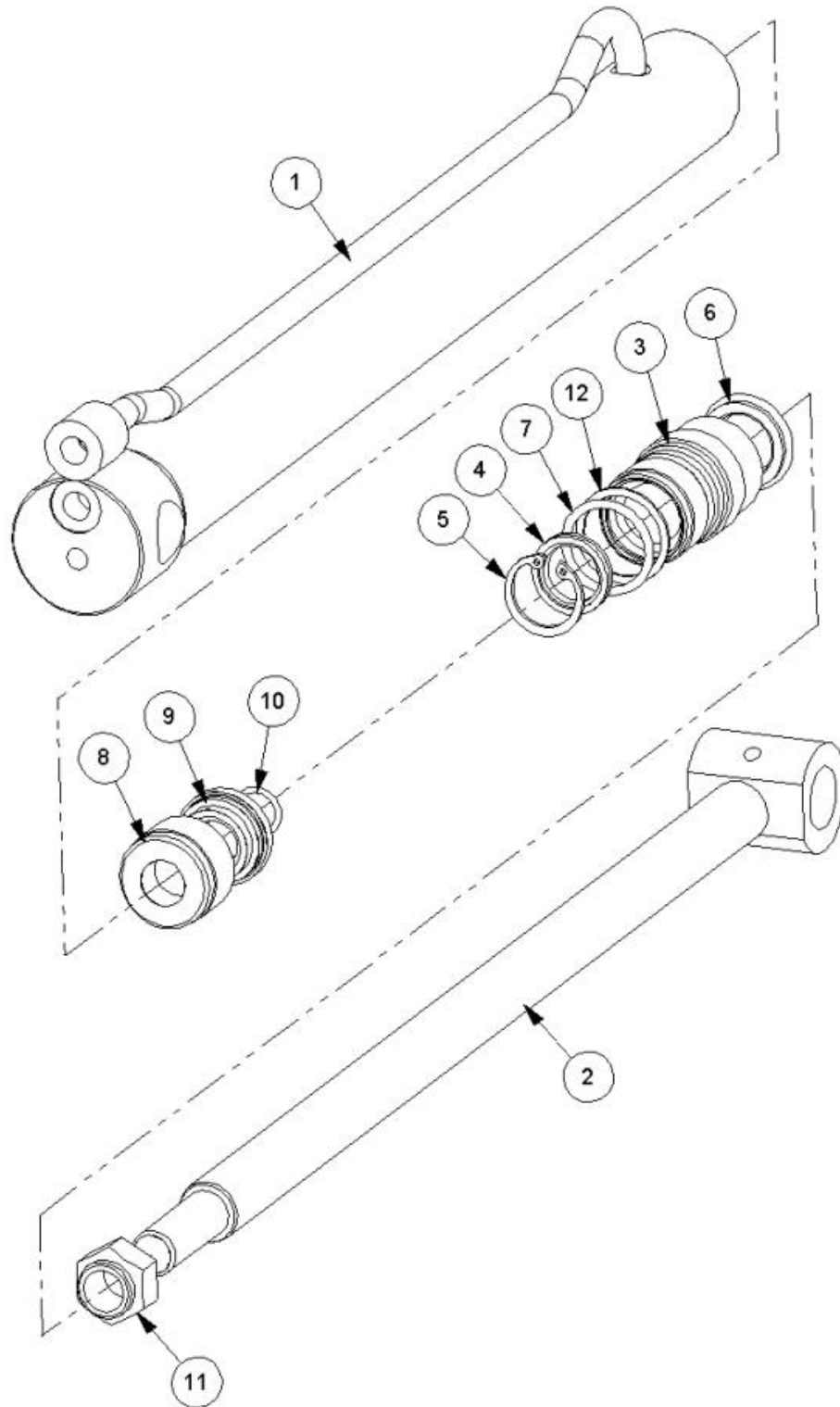
| Ref | Part No        | Description | QTY |
|-----|----------------|-------------|-----|
| 1   | 8130037        | RESTRICTOR  | 2   |
| 2   | <b>7191295</b> | RAM         | 1   |
| 3   | 8650102        | SEAL        | 2   |
| 4   | 8699202        | SEAL KIT    | 0   |

# 7191295 - RAM



| Ref | Part No          | Description  | QTY |
|-----|------------------|--------------|-----|
| 1   | <b>7191295AP</b> | RAM          | 1   |
| 1   | 7191295P         | RAM -PAINTED | 0   |
| 1   | 8699202          | SEAL KIT     | 0   |
| 12  | 0901121          | GREASER      | 2   |
| 13  | 1130002          | BUSH         | 1   |

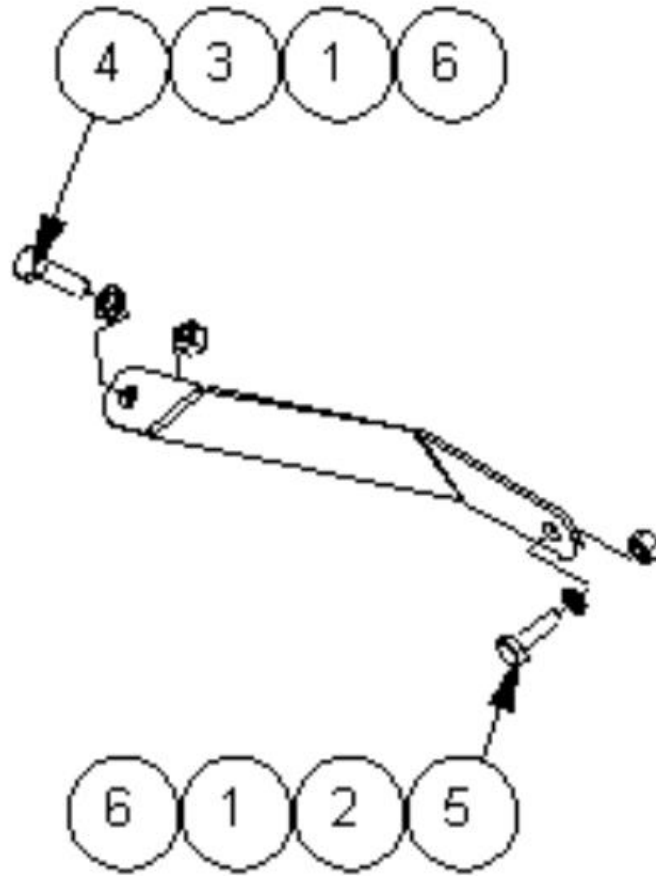
# 7191295AP - RAM



| Ref | Part No | Description | QTY |
|-----|---------|-------------|-----|
| 1   | 7191296 | BARREL      | 1   |
| 2   | 1090031 | PISTON ROD  | 1   |
| 3   | 1090273 | HOUSING     | 1   |
| 4   | 8629162 | SEAL        | 1   |
| 5   | 0411234 | CIRCLIP     | 1   |
| 6   | 8629161 | SEAL        | 1   |

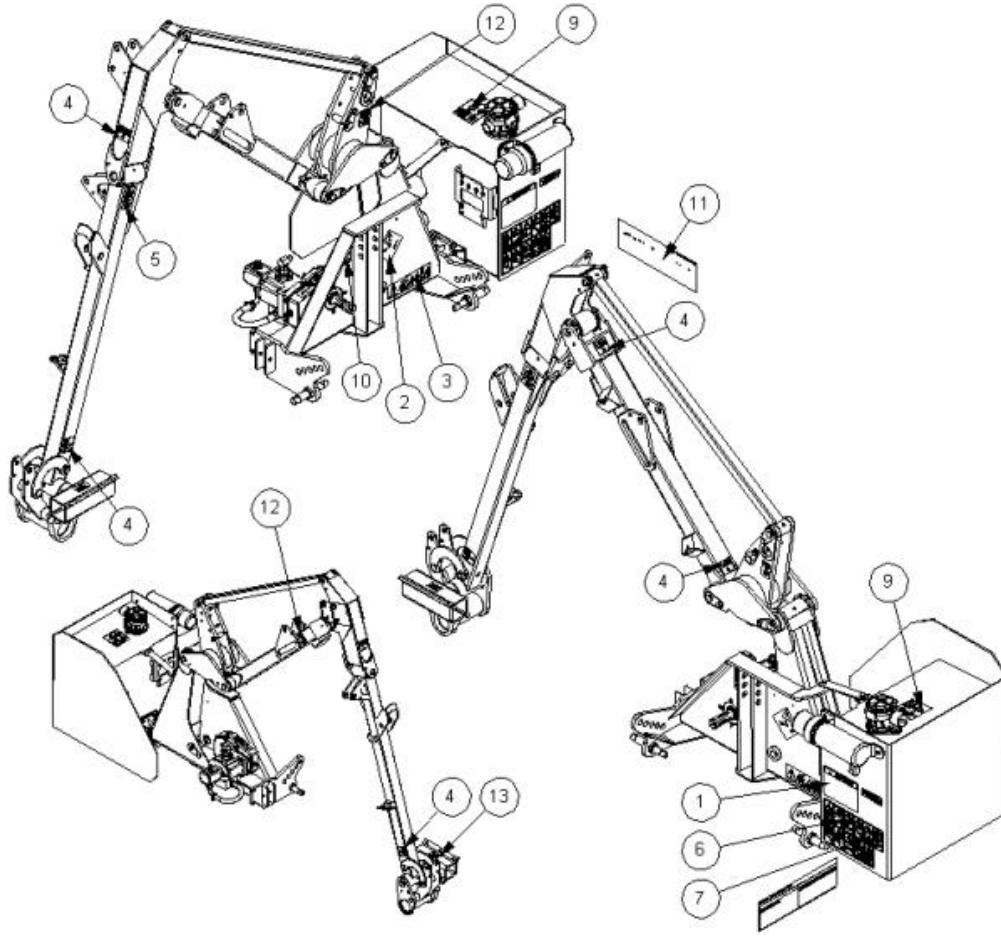
| <b>Ref</b> | <b>Part No</b> | <b>Description</b> | <b>QTY</b> |
|------------|----------------|--------------------|------------|
| 7          | 8600124        | O-RING             | 1          |
| 8          | 1090034        | USE 1130034        | 2          |
| 9          | 8629160        | SEAL               | 1          |
| 10         | 8600112        | O RING             | 1          |
| 11         | 0141007        | NUT                | 1          |
| 12         | 8609124        | AE RING            | 1          |

# 7434576 - PACKING KIT



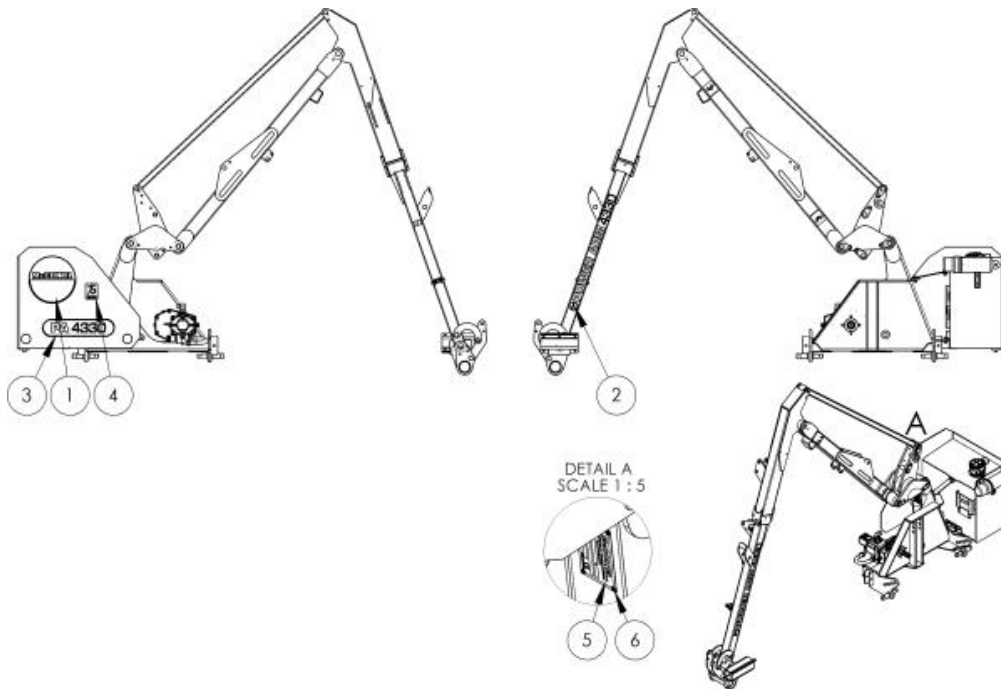
| Ref | Part No  | Description   | QTY |
|-----|----------|---------------|-----|
| 1   | 22852.53 | PACKING STRAP | 1   |
| 2   | 9313095  | SETSCREW      | 1   |
| 3   | 9213145  | BOLT          | 1   |
| 4   | 9163005  | NUT           | 2   |
| 5   | 22852.59 | ANGLE         | 1   |
| 6   | 7196045  | HOSE TIE      | 1   |
| 7   | 9100105  | WASHER        | 6   |

# 7434580 - BASIC STICKER KIT



| Ref | Part No   | Description                   | QTY |
|-----|-----------|-------------------------------|-----|
| 1   | 00756494  | DECAL                         | 1   |
| 2   | 7105130   | DECAL                         | 1   |
| 3   | 7135295   | DECAL                         | 1   |
| 4   | 02962764  | DECAL                         | 6   |
| 5   | 1290746   | DECAL                         | 1   |
| 6   | 09.821.35 | DECAL                         | 1   |
| 7   | 09.821.28 | DECAL                         | 1   |
| 8   | 09.821.32 | DECAL                         | 1   |
| 9   | 1290774   | DECAL                         | 1   |
| 10  | 23832.01  | DECAL-540 PTO MAX CW          | 1   |
| 11  | 1290352   | DECAL                         | 1   |
| 12  | 09.843.05 | DECAL                         | 2   |
| 13  | 21917.06  | DECAL                         | 1   |
| 14  | D960      | DECAL WARNING CANCER AND HARM | 1   |

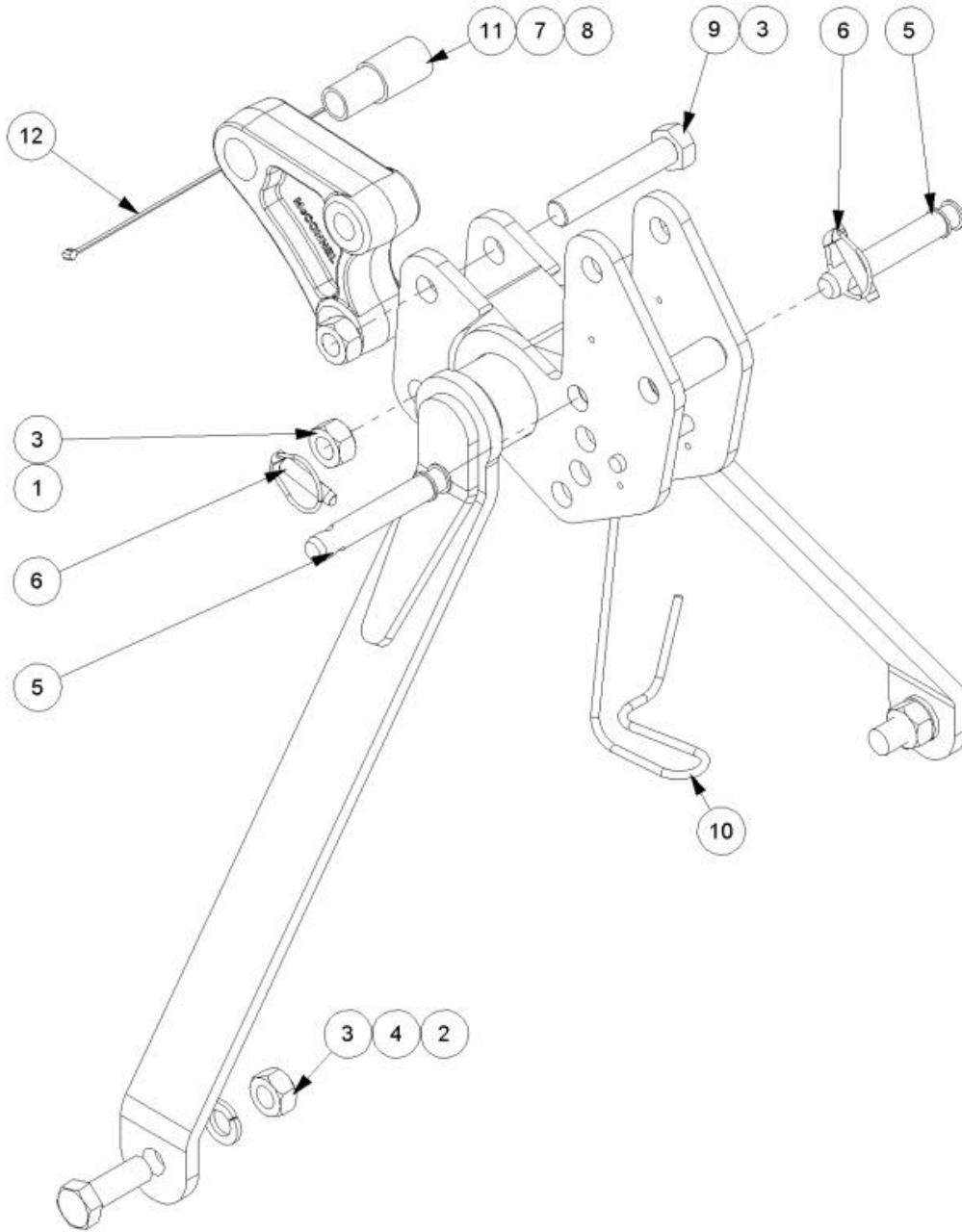
# 7434585 - PA4330 DECAL KIT



| Ref | Part No  | Description      | QTY |
|-----|----------|------------------|-----|
| 1   | 1290870  | DECAL            | 1   |
| 2   | 1290872  | DECAL            | 1   |
| 3   | 1290871  | DECAL            | 1   |
| 5   | 1335246  | SERIAL No. PLATE | 1   |
| 6   | 7103230  | RIVET            | 4   |
| 7   | 45671.01 | REFLECTOR        | 2   |



# 7434627 - STABILIZER KIT



| Ref | Part No  | Description            | QTY |
|-----|----------|------------------------|-----|
| 1   | 41205.18 | STABILIZER             | 1   |
| 2   | 9313118  | SCREW                  | 2   |
| 3   | 9113008  | NUT                    | 4   |
| 4   | 9100208  | WASHER                 | 2   |
| 5   | T1657    | PIN - LINKAGE          | 2   |
| 6   | 0431217  | LINCH PIN              | 2   |
| 7   | 1467063  | SLEEVE                 | 2   |
| 8   | 7499506C | TONGUE STAB CAT 3 CAST | 1   |
| 9   | 9213228  | BOLT                   | 2   |
| 10  | 21160.03 | HOOK                   | 1   |
| 11  | 21883.01 | SLEEVE CAT 2-3         | 1   |
| 12  | 7196045  | HOSE TIE               | 1   |



05098100  
05098200

head light left  
head light right

1  
1



WB51260

Markeringsbord

1



WB50367

Waarschuwbord

1



L4501LMV

LED-contourverlichting

1



19300240272 Chassisdeel opbouw 24B 2xM32

1



19300241432 Koppelhuis 24B M32 boveninvoer

1



09330242601 Penconn. E 24P schroef 1-24

1

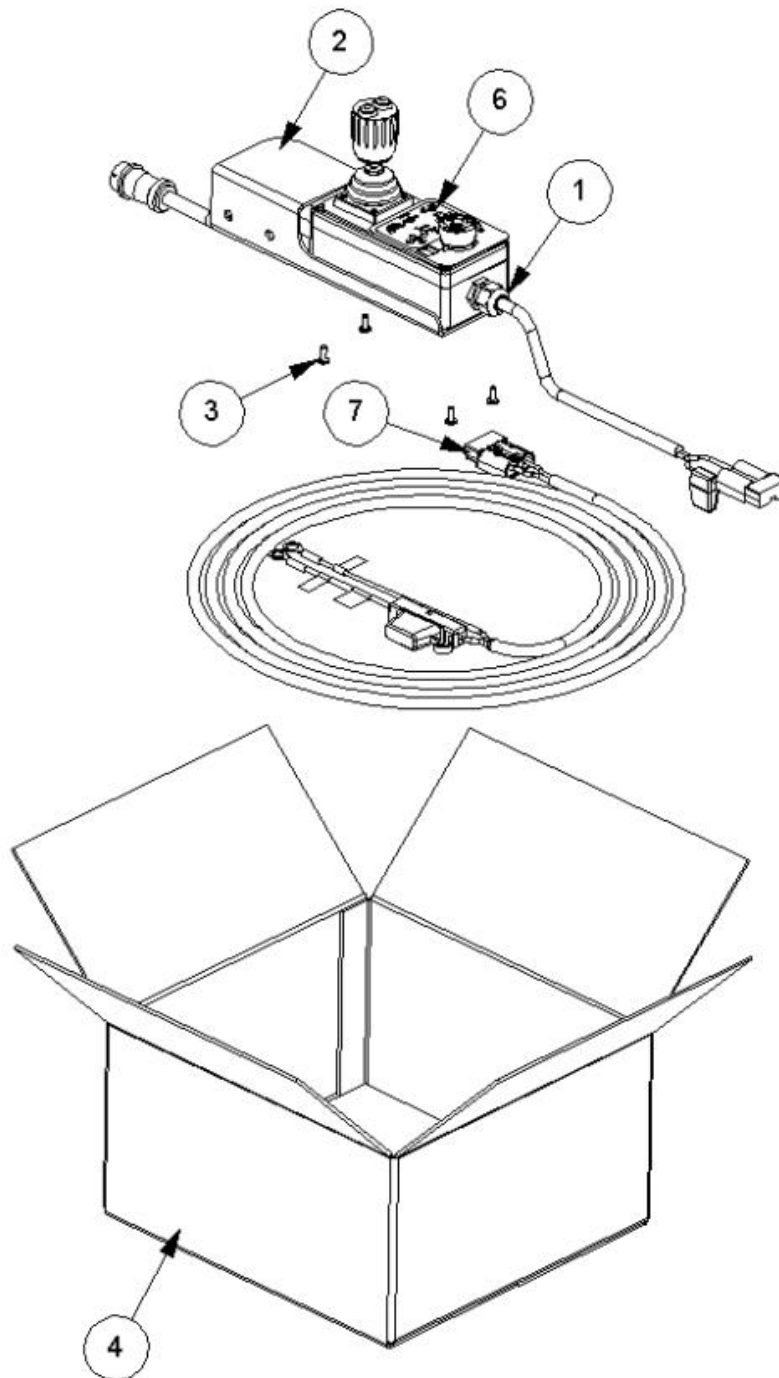


09330242701 Busconn. E 24P schroef 1-24

1



# 8402919 - MINI XTC KIT



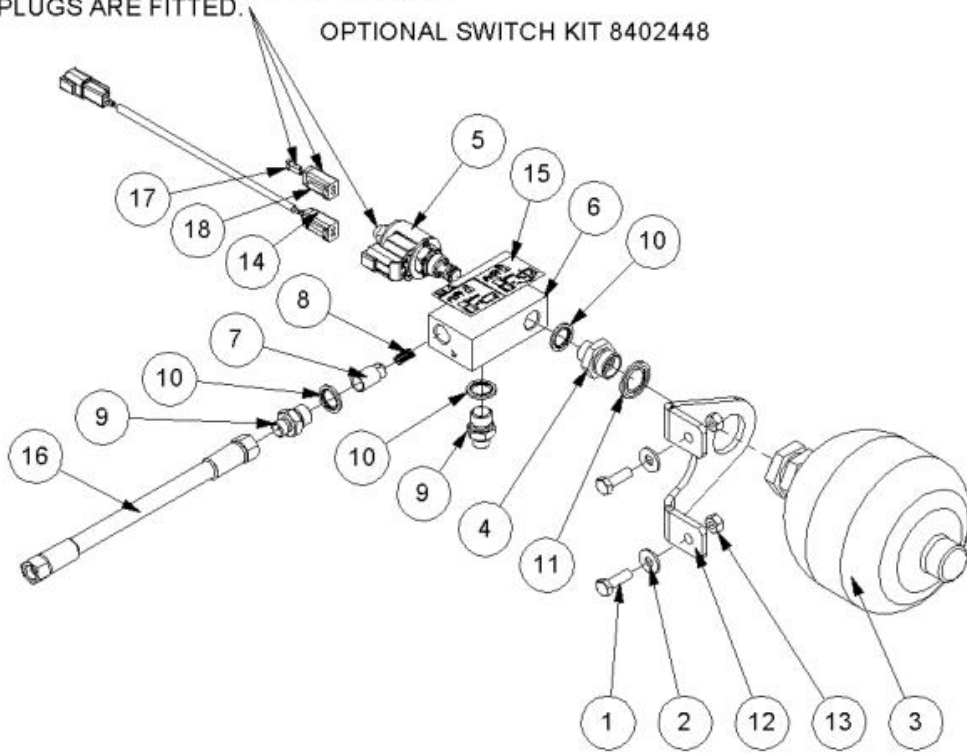
| Ref | Part No  | Description                  | QTY |
|-----|----------|------------------------------|-----|
| 1   | 23880.11 | MINI CONTROLS                | 1   |
| 2   | 42442.04 | MINI MOTION CONTROLS BRACKET | 1   |
| 3   | 2800243  | SCREW                        | 4   |
| 4   | 8402701  | BOX                          | 1   |
| 5   | 1290717  | DECAL                        | 1   |
| 6   | 1291169  | OPERATIONAL DECAL            | 1   |
| 7   | 8402237  | LOOM                         | 1   |

# ATTACHMENTS

## 8126376 - LIFT FLOAT KIT- PA3430/4330 BSP

FOR USE ON NON-ELECTRIC MACHINES,  
OMIT LOOM AND OPERATE USING OVER  
RIDE BUTTON ON POPPET VALVE.  
ENSURE CONNECTOR AND SEALING  
PLUGS ARE FITTED.

OPTIONAL SWITCH KIT 8402448



| Ref | Part No        | Description                    | QTY |
|-----|----------------|--------------------------------|-----|
| 1   | 9313054        | SCREW                          | 2   |
| 2   | 9100104        | WASHER                         | 2   |
| 3   | 8126042        | ACCUMULATOR                    | 1   |
| 4   | G2410380       | ADAPTOR                        | 1   |
| 5   | <b>8130223</b> | NC POPPET VALVE                | 1   |
| 6   | 8126287        | BLOCK                          | 1   |
| 7   | 8126037        | PISTON                         | 1   |
| 8   | 8116011        | SPRING                         | 1   |
| 9   | 8581115        | ADAPTOR                        | 2   |
| 10  | 8650103        | SEAL                           | 3   |
| 11  | 8650322        | SEAL                           | 1   |
| 12  | 22852.52       | BRACKET                        | 1   |
| 13  | 9163004        | NUT                            | 2   |
| 14  | 41844.54       | ANGLE FLOAT LOOM 2M DT CONNECT | 1   |
| 15  | 1290061        | DECAL                          | 1   |

| <b>Ref</b> | <b>Part No</b> | <b>Description</b> | <b>QTY</b> |
|------------|----------------|--------------------|------------|
| 16         | 10.001.10      | HOSE               | 1          |
| 17         | 45594.49       | SEALING PLUG       | 2          |
| 18         | 45594.37       | DEUTSCH DT06-2S    | 1          |

# 8130223 - NC POPPET VALVE

No Picture  
Available

| Ref | Part No | Description                    | QTY |
|-----|---------|--------------------------------|-----|
| 1   | 8130220 | COIL FOR 8130223               | 1   |
| 2   | 8130221 | VALVE FOR 8130223              | 1   |
| 3   | 8130222 | COIL RETAINING NUT FOR 8130223 | 1   |