

Dabekausen  
**SR15-6**  
Parts Manual

## CONTENTS

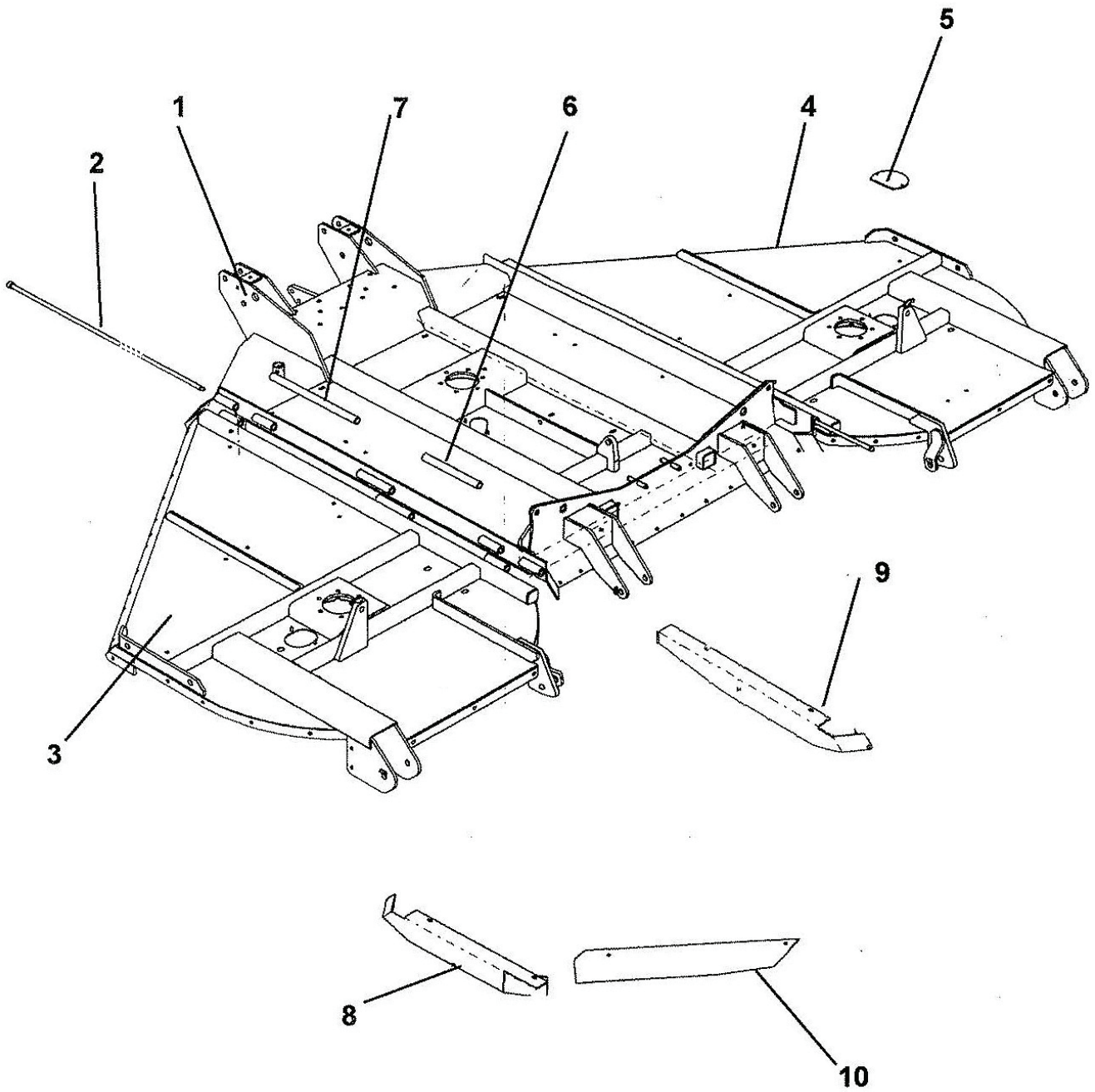
---

Mainframe & Wings Assembly	1
Tongue & Levelling Assembly – Standard Hitch	3
Tongue & Levelling Assembly – High Hitch	5
Wheels & Hubs Assembly	7
Hub Assembly c/w Bearing	9
Side Skirts & Skids Assembly	10
Ram Assemblies & Fixings	11
Hydraulic Fittings & Hoses	13
Blades & Pan Assembly	15
Shredder Blade Assembly	17
Chain Guards Assembly	19
Divider Gearbox Assembly	21
Gearbox Assemblies – Left Wing & Centre Deck	23
Gearbox Assembly – Right Wing	25
Driveline Guards	27
Machine Decals	29
Lightbar Assembly	31

# MAINFRAME & WINGS ASSEMBLY

**McCONEL**

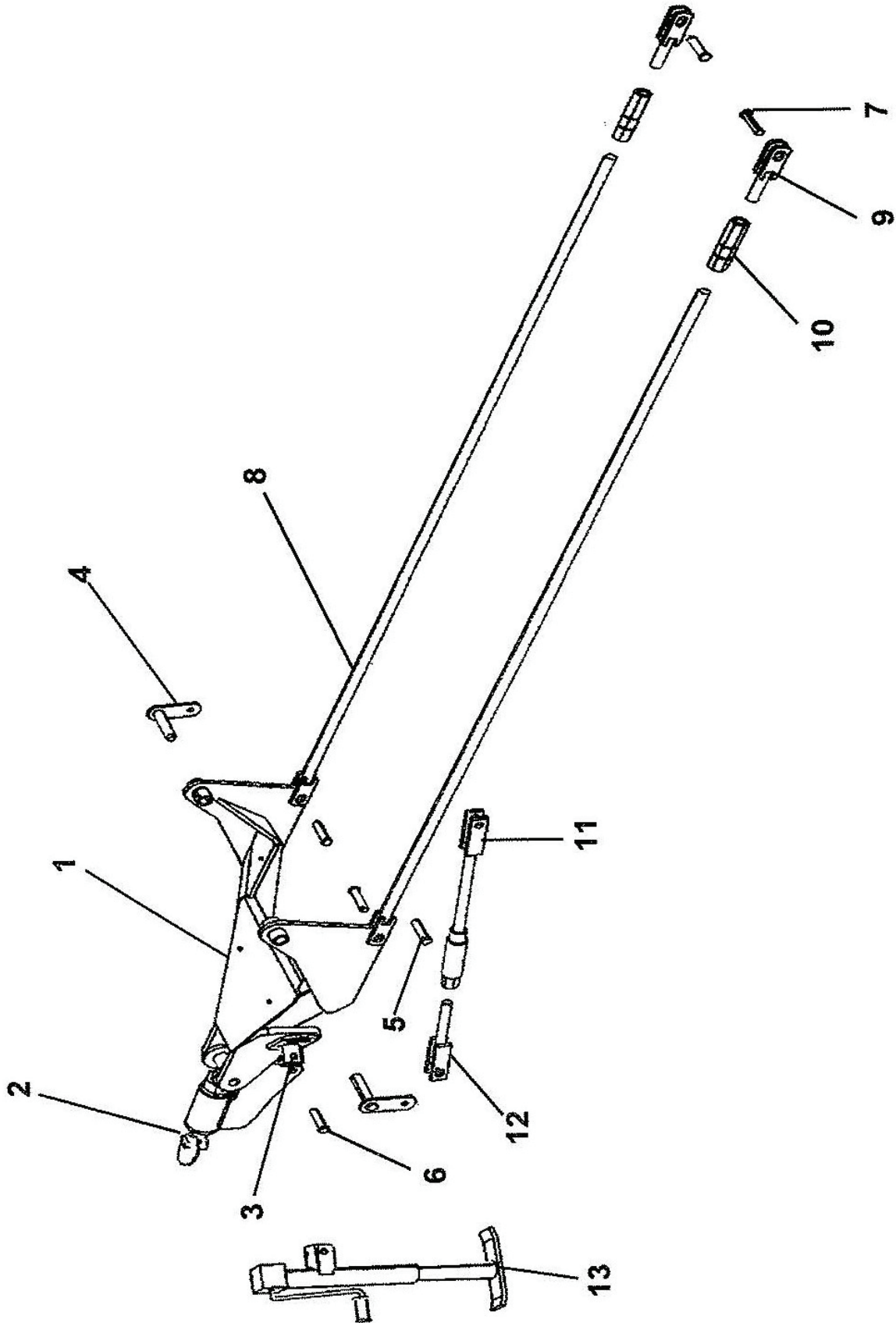
Module(s): 1048501



**MAINFRAME & WINGS ASSEMBLY****McCONNEL**

Module(s): 1048501

<b>REF.</b>	<b>QTY.</b>	<b>PART No.</b>	<b>DESCRIPTION</b>
		<b>1048501</b>	<b>MAINFRAME &amp; WINGS ASSEMBLY</b>
1	1	45182.01	DECK - CENTRE
2	2	45221.01	PIN - HINGE
3	1	45225.01	WING - L/H
4	1	45225.02	WING - R/H
5	3	45228.01	COVER PLATE
6	2	45257.01	SPACER - HINGE SHORT
7	2	45257.02	SPACER - HINGE LONG
8	1	45315.02	BAFFLE - L/H
9	1	45315.05	BAFFLE - R/H
10	1	45315.06	CENTRE BAFFLE
	2	05.264.03	SETSCREW
	6	05.264.23	SETSCREW
	6	05.281.01	FLAT WASHER
	10	05.281.03	FLAT WASHER
	8	05.287.01	SELF-LOCKING NUT
	6	05.287.03	SELF-LOCKING NUT



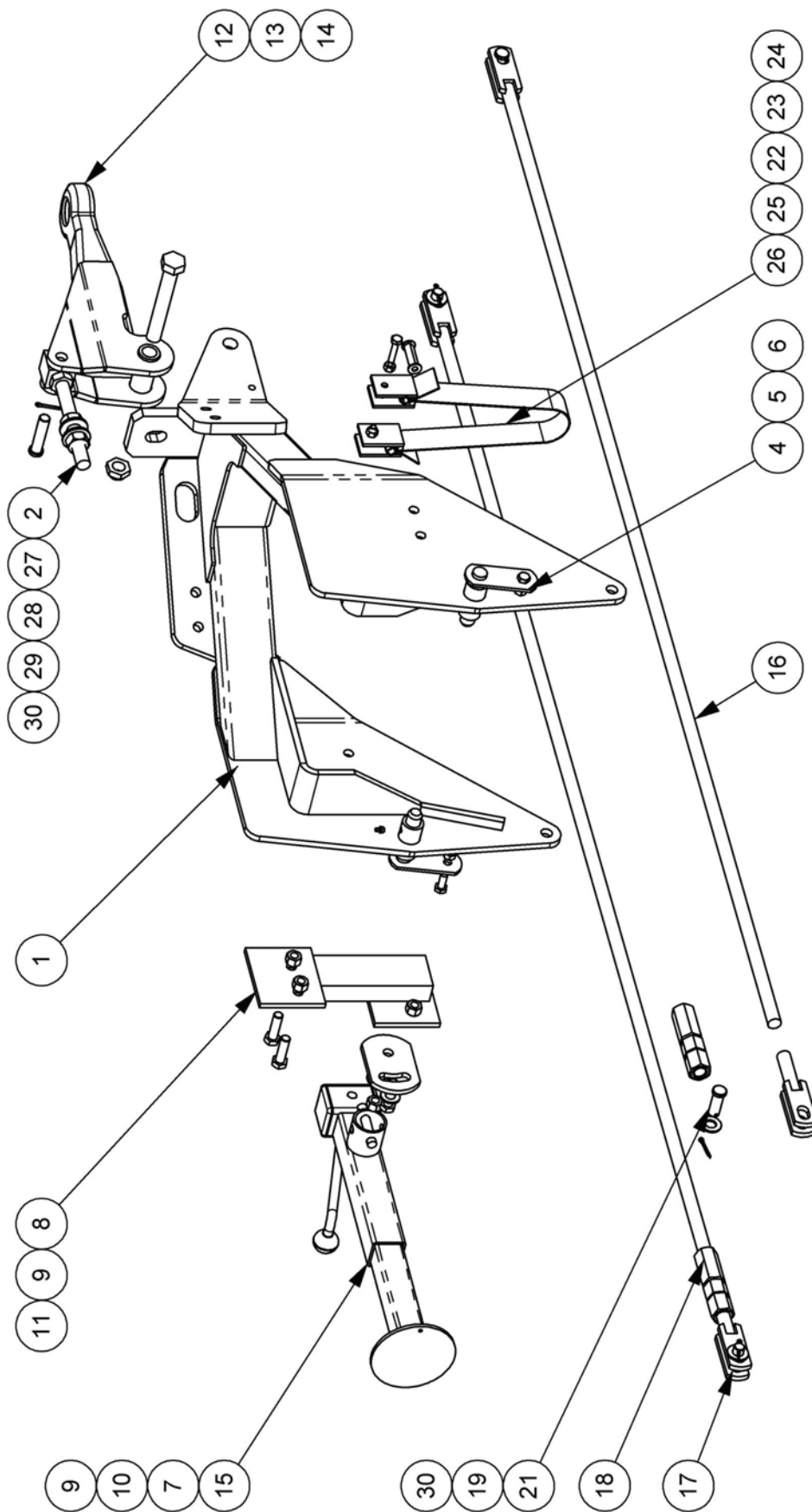
Module(s): 1048502

REF.	QTY.	PART No.	DESCRIPTION
		<b>1048502</b>	<b>TONGUE &amp; LEVELLING - Std. Hitch</b>
1	1	45203.01	LONG TONGUE
2	1	45235.01	PINTLE HITCH EYE
2	1	211569	BOLT
2	1	05.295.07	SELF-LOCKING NUT
2	1	01.070.04	GREASE NIPPLE
3	1	45186.01	JACK MOUNT
3	1	764515	SAFETY CHAIN
4	2	45185.01	PIVOT PIN
5	1	45213.01	PIN
6	1	45213.02	PIN
7	4	45213.03	PIN
8	2	45226.01	LEVEL ROD - LONG
9	2	45226.02	LEVEL ROD - SHORT
10	2	45227.01	ADJUSTMENT NUT
11	1	45232.11	CONTROL ROD - LONG
12	1	45232.12	CONTROL ROD
13	1	1048060	JACK ASSEMBLY
	1	0212569	BOLT
	1	05.255.33	BOLT
	1	05.255.37	BOLT
	2	05.264.25	SETSCREW
	1	05.281.04	FLAT WASHER
	4	05.281.05	FLAT WASHER
	2	05.287.03	SELF-LOCKING NUT
	2	05.287.04	SELF-LOCKING NUT
	2	05.289.08	NUT
	2	05.291.36	BOLT
	3	30.070.62	NUT - THIN
	6	9501326	SPLIT PIN

# TONGUE & LEVELLING – High Hitch

Module(s): 1048512

**McCONEL**



Module(s): 1048512

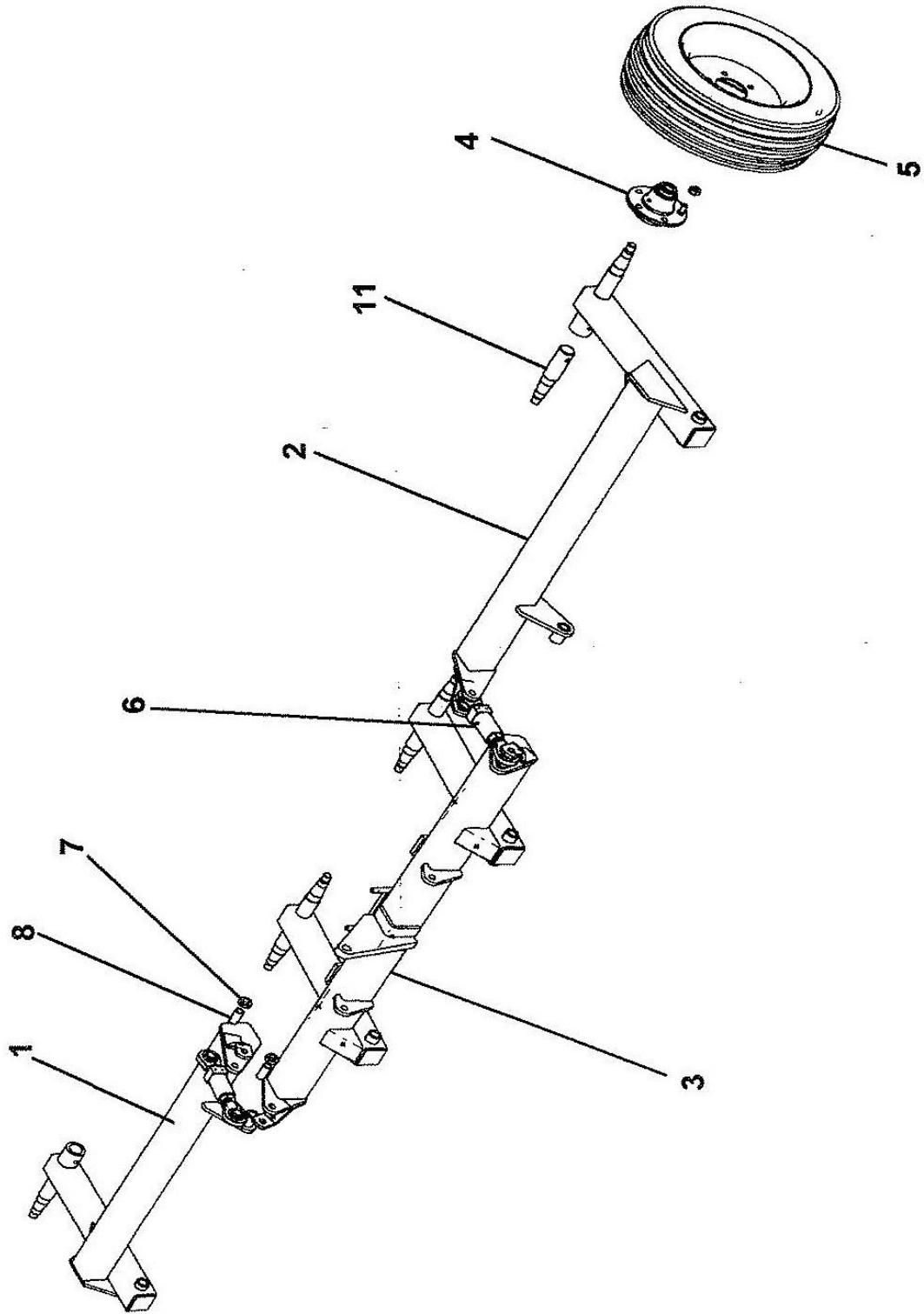
REF.	QTY.	PART No.	DESCRIPTION
		<b>1048512</b>	<b>TONGUE &amp; LEVELLING - High Hitch</b>
1	1	45203.02	HIGH HITCH TONGUE
2	1	45203.03	ADJUSTER ROD
3	2	0901121	GREASE NIPPLE
4	2	45185.01	TONGUE PIVOT PIN
5	2	9313066	SETSCREW
6	2	9143006	SELF-LOCKING NUT
7	1	45186.01	JACK TUBE MOUNT
8	1	45407.01	JACK ADAPTOR
9	3	9213117	BOLT
10	2	0100106	FLAT WASHER
11	4	9143007	SELF-LOCKING NUT
12	1	45235.04	FIXED HITCH EYE BRACKET
13	1	0211569	UNF BOLT
14	1	0141009	UNF CLEVELOC NUT
15	1	1048060	JACK
16	2	45226.01	LEVEL ROD - LONG
17	2	45226.02	LEVEL ROD - SHORT
18	2	45227.01	ADJUSTMENT NUT
19	3	0100107	FLAT WASHER
20	1	00764515	SAFETY CHAIN
21	4	45213.03	PIN - LONG LEVEL RODS
22	2	9213105	BOLT
23	2	9143005	SELF-LOCKING NUT
24	4	45830.21	CLEAT
25	2	45830.22	ROD
26	1	45830.46	STRAP
27	2	9113009	NUT
28	2	9100109	FLAT WASHER
29	1	45213.01	PIN - LEVEL ROD
30	5	9501326	SPLIT PIN



# WHEELS & HUBS ASSEMBLY

Module(s): 1048503, 1048519

**McCONNEL**



Module(s): 1048503, 1048519

REF.	QTY.	PART No.	DESCRIPTION
		<b>1048503</b>	<b>WHEELS, HUBS &amp; AXLES</b>
1	1	45195.28	AXLE - R/H WING
2	1	45195.27	AXLE - L/H WING
3	1	45195.29	AXLE - CENTRE
4	6	1048073	HUB ASSEMBLY c/w BEARING
5	6	1048038AP	WHEEL & TYRE
6	2	763449	CONTROL ROD ASSEMBLY
7	4	1048010	SPACER
8	4	45184.01	SPACER TUBE
9	1	45410.01	CHOCK - R/H (NOT ILLUSTRATED)
10	1	45410.02	CHOCK - L/H (NOT ILLUSTRATED)
	2	212609	BOLT
	4	05.255.37	BOLT
	2	05.255.40	BOLT
	8	05.296.08	SELF-LOCKING NUT
	2	05.964.01	SPRING COTTER
		<b>1048519</b>	<b>8 WHEEL CONVERSION KIT</b>
11	2	45195.62	CONVERSION AXLE
	2	1048073	HUB ASSEMBLY
	2	1048038AP	WHEEL & TYRE
	2	9213166	BOLT
	2	9143006	CLEVELOK NUT

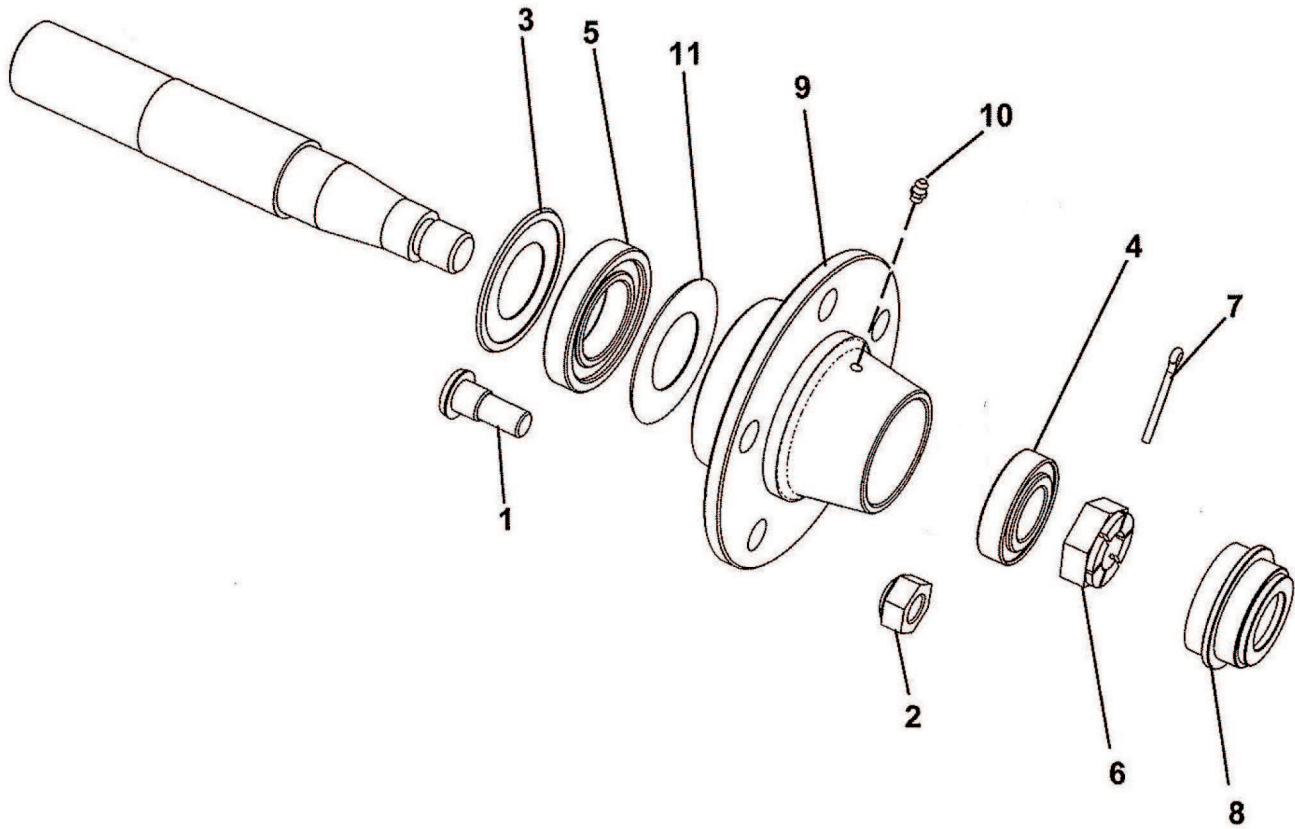
**NOTE:**

It is recommended that the conversion axles are welded into the sockets provided on the standard axle fabrications.

HUB ASSEMBLY c/w BEARING

**McCONNEL**

Module(s): 1048073

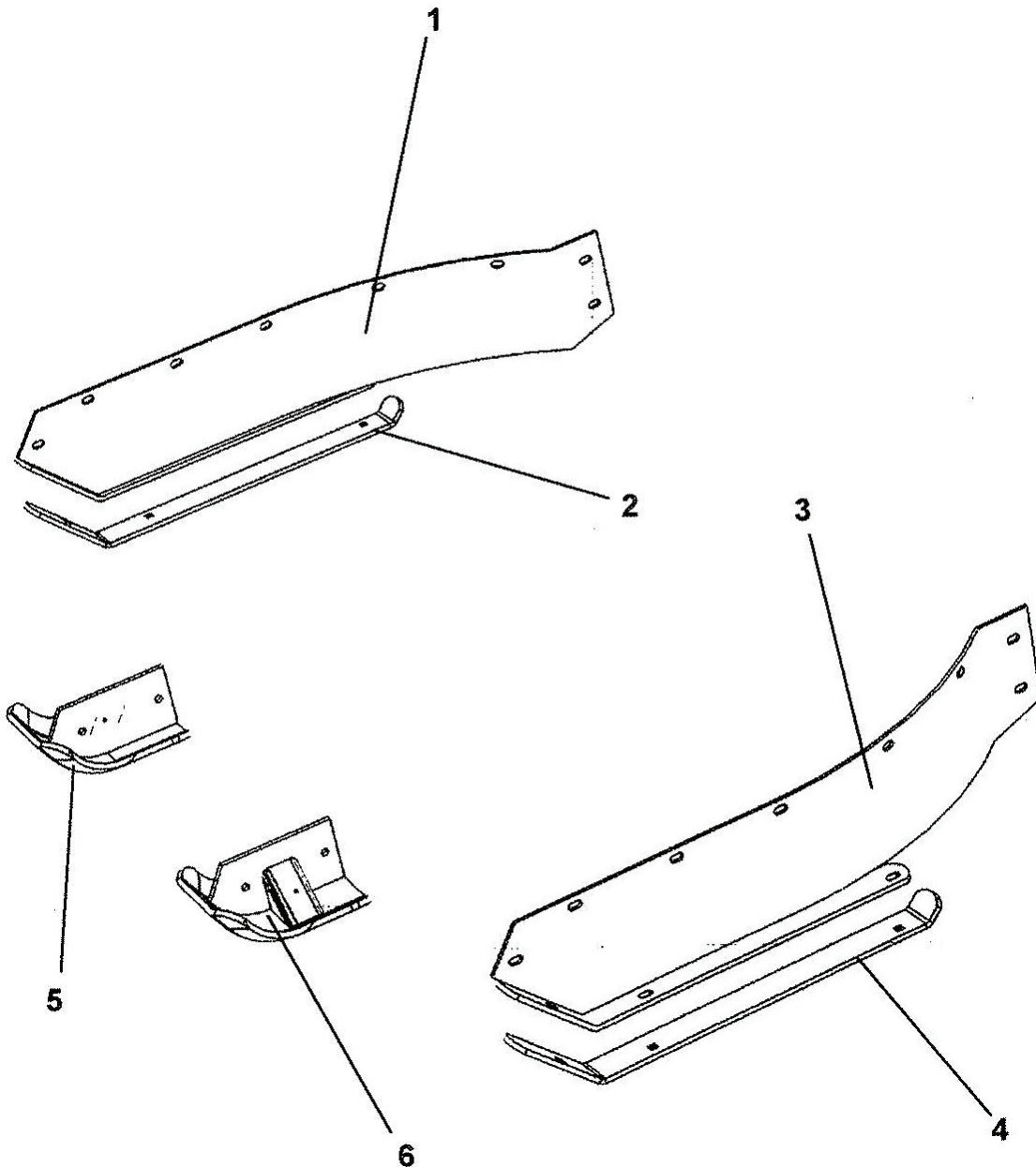


REF.	QTY.	PART No.	DESCRIPTION
		1048073	<b>HUB ASSEMBLY c/w BEARING</b>
1	5	1048021	STUD
2	5	1048022	NUT
3	1	1048081	OILSEAL
4	1	1048024	OUTER BEARING
5	1	1048025	INNER BEARING
6	1	1048076	NUT
7	1	1048027	SPLIT PIN
8	1	1048075	DUST CAP
9	1	1048086	HUB
10	1	1048080	GREASE NIPPLE
11	1	1048083	SPACER

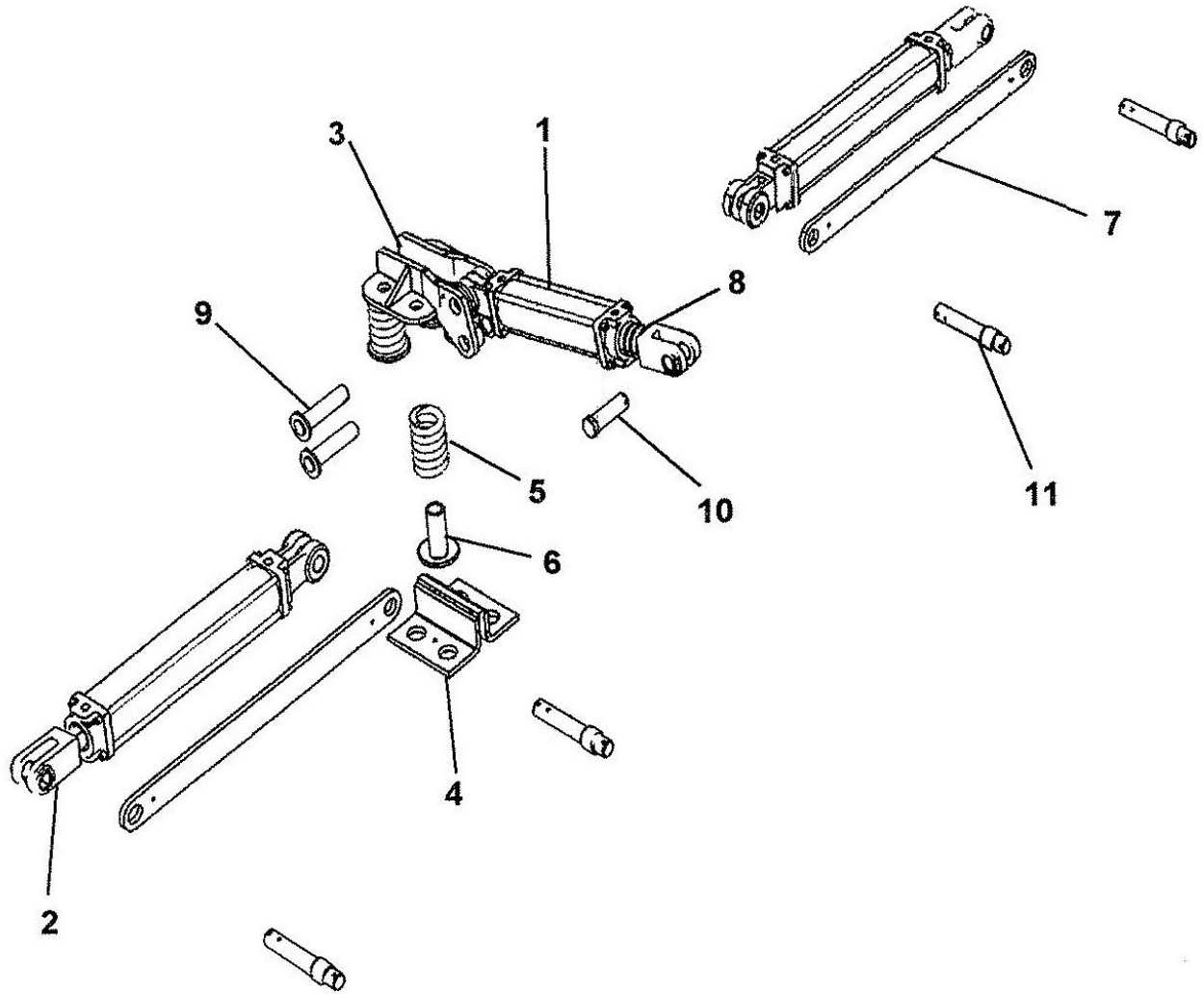
SIDE SKIRTS & SKIDS ASSEMBLY

**McCONNEL**

Module(s): 1048505



REF.	QTY.	PART No.	DESCRIPTION
		<b>1048505</b>	<b>SIDE SKIRTS &amp; SKIDS</b>
1	1	45238.02	SIDE SKIRT - R/H
2	1	45238.04	SKID SHOE - R/H
3	1	45238.01	SIDE SKIRT - L/H
4	1	45238.03	SKID SHOE - L/H
5	1	45239.02	SKID SHOE - R/H
6	1	45239.01	SKID SHOE - L/H
	6	0142004	SELF-LOCKING NUT
	8	05.264.23	SETSCREW
	16	05.264.25	SETSCREW
	26	05.281.03	FLAT WASHER
	24	05.287.03	SELF-LOCKING NUT
	6	6012034	PLOUGH BOLT

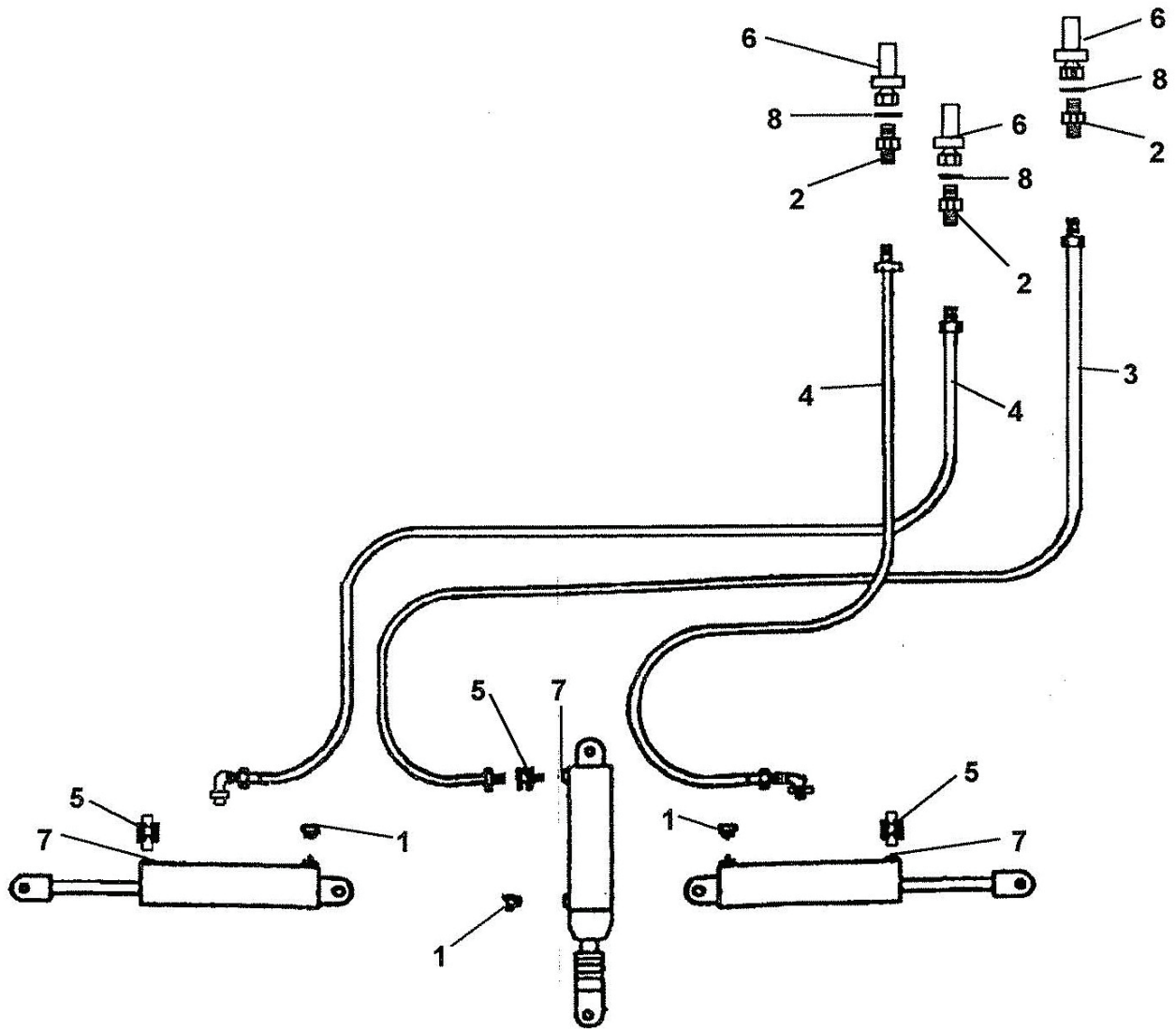


RAM ASSEMBLIES & FIXINGS



Module(s): 1048513

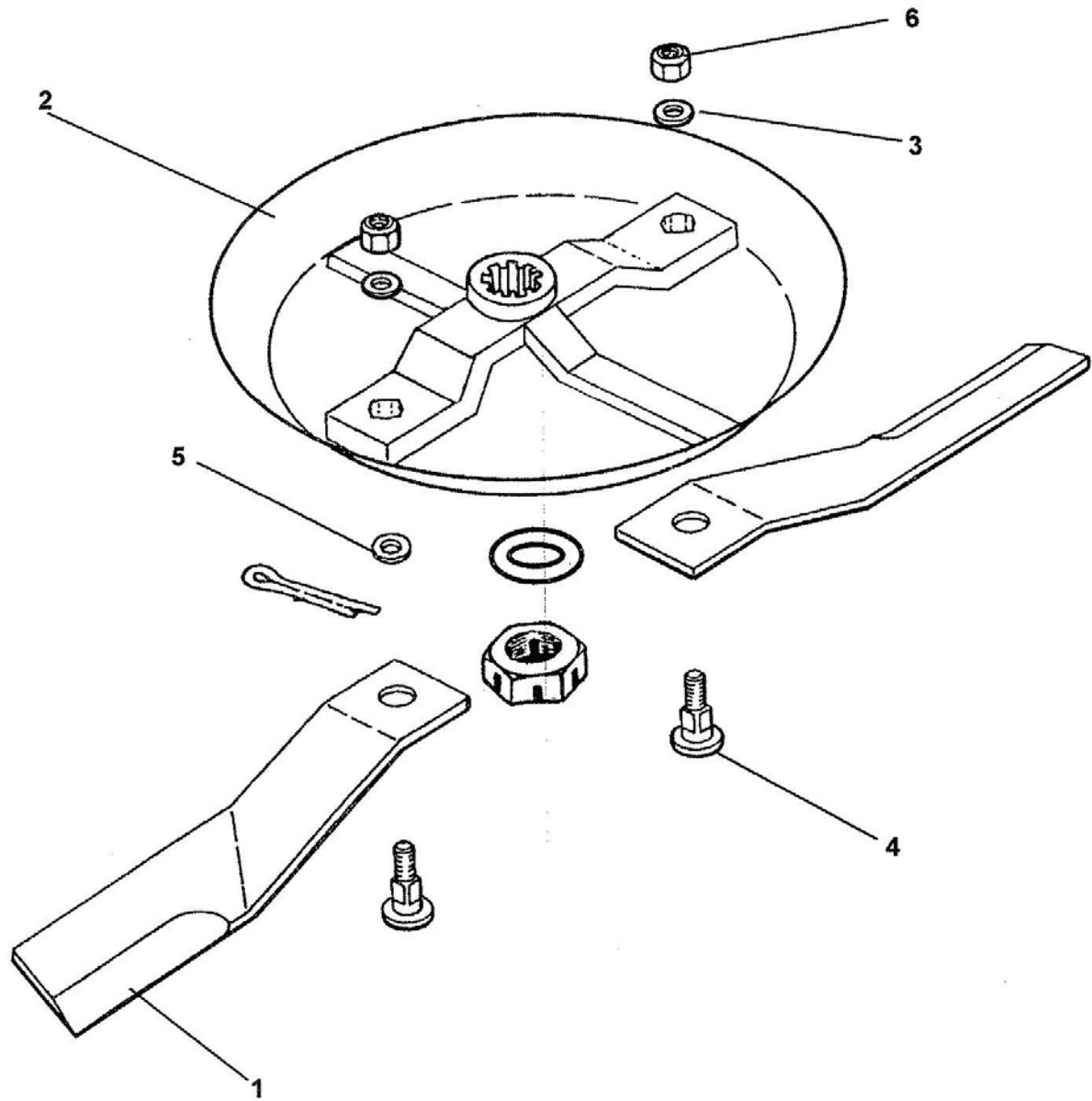
REF.	QTY.	PART No.	DESCRIPTION
		<b>1048513</b>	<b>RAM ASSEMBLIES &amp; FIXINGS</b>
1	1	8727A	RAM – LIFT
2	2	8728A	RAM – WING
3	1	45200.01	BRACKET - UPPER SPRING
4	1	45200.02	BRACKET - LOWER SPRING
5	4	371063A	SPRING
6	4	45246.01	SPRING GUIDE
7	2	45201.01	TRANSPORT BAR
8	1	00755234	CONTROL SPACER
9	2	45214.01	PIN - RAM BASE END
10	1	45217.01	PIN - AXLE LIFT RAM
11	4	45163.01	PIN - WING RAM
12	4	0212527	BOLT
	4	0100107	FLAT WASHER
	7	0431105	SPRING COTTER
	4	0142007	SELF-LOCKING NUT
	7	9501406	SPRING COTTER
		<b>00774760</b>	<b>SEAL KIT FOR RAMS</b>



Module(s): 1048510

REF.	QTY.	PART No.	DESCRIPTION
		<b>1048510</b>	<b>HYDRAULIC FITTINGS &amp; HOSES</b>
1	3	762114	BREATHER
2	3	8124064	RESTRICTOR
3	1	10.003.62	HOSE - 3/8" BSP FS/FS x 5200mm
4	2	10.004.71	HOSE - 3/8" BSP FS/F90 x 6100mm
5	3	8581170	CONED ADAPTOR BSP/JIC
6	3	8590074	QUICK RELEASE
7	3	8600908	O RING GASKET
8	3	8650104	BONDED SEAL





**BLADES & PAN ASSEMBLY****McCONNEL**

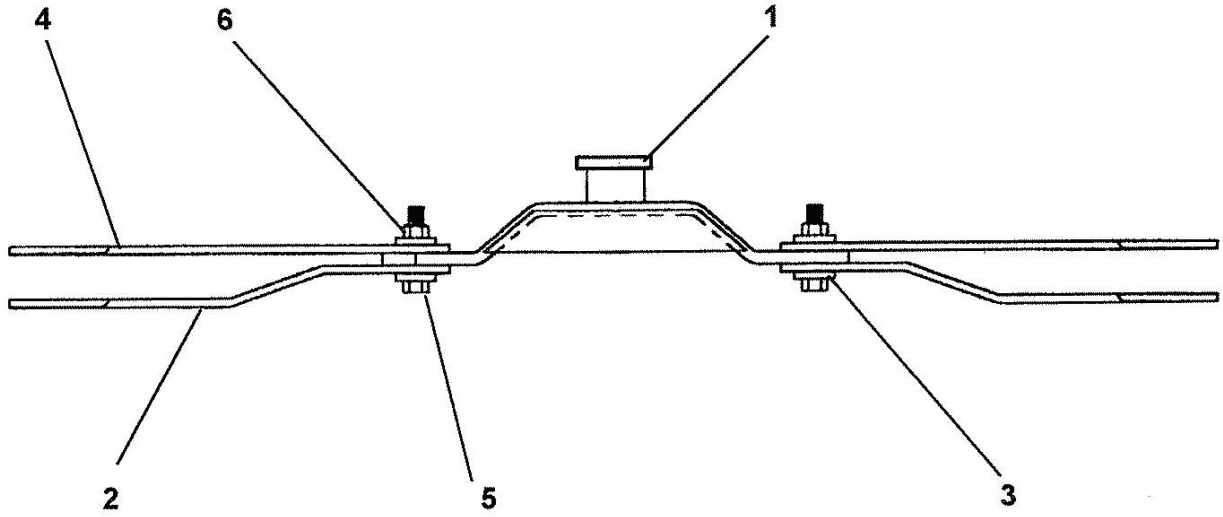
Module(s): 1048509

<b>REF.</b>	<b>QTY.</b>	<b>PART No.</b>	<b>DESCRIPTION</b>
		<b>1048509</b>	<b>BLADES &amp; PAN ASSEMBLY</b>
1	2	00764663	BLADE – WING L/H
1	2	00764664	BLADE – WING R/H
1	2	00764668	BLADE - CENTRE
2	3	00771591	BLADEPAN
3	6	06561500200	WASHER
4	6	571044	BOLT
5	6	571045	SHOULDER BOLT WASHER
6	6	5GL16140	LOCK NUT

SHREDDER BLADE

**McCONNEL**

Module(s): 1048265



**SHREDDER BLADE****McCONNEL**

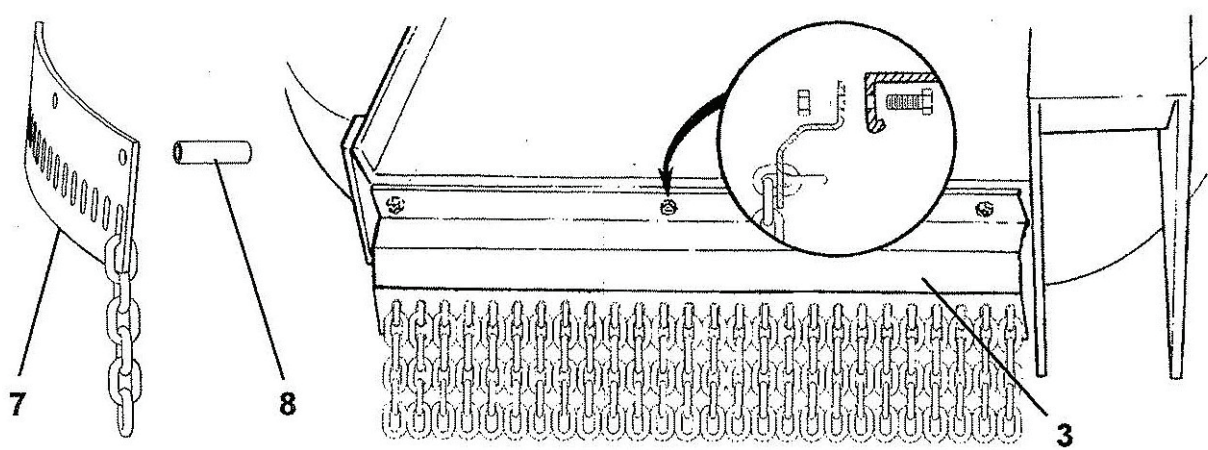
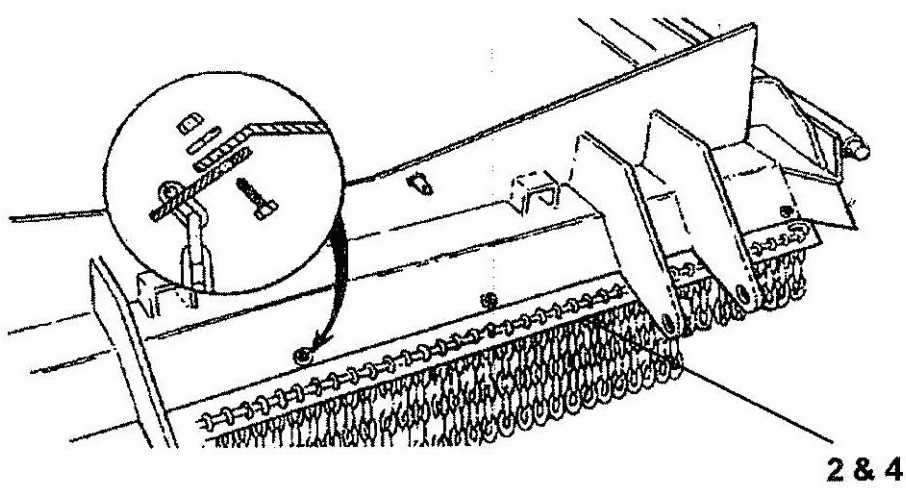
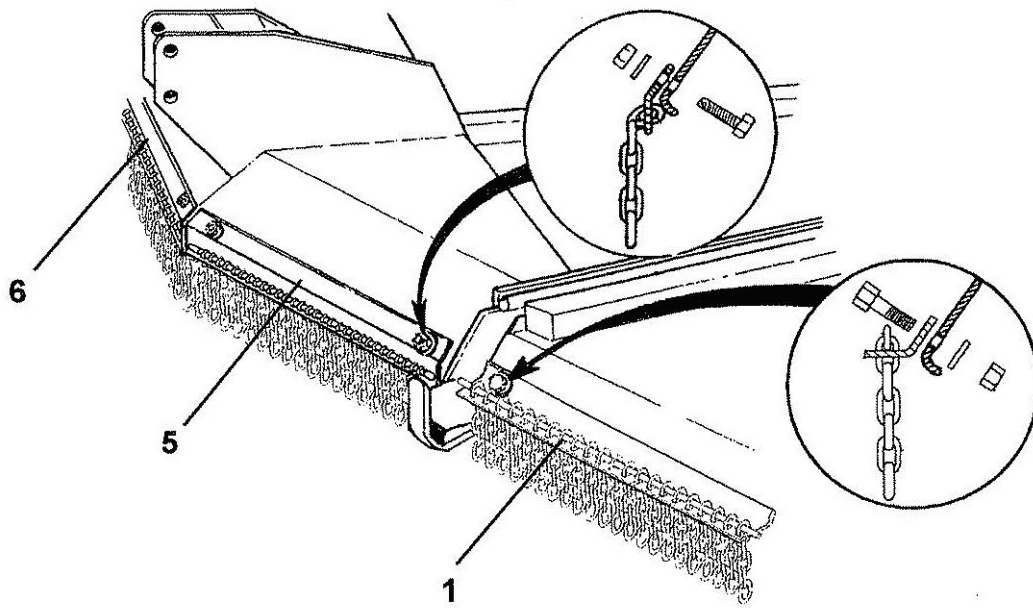
Module(s): 1048265

<b>REF.</b>	<b>QTY.</b>	<b>PART No.</b>	<b>DESCRIPTION</b>
		<b>1048265</b>	<b>SHREDDER BLADE</b>
1	3	00771594	BLADE BAR - S/N 13831
2	2	8588	BLADES PAIR - CENTRE
2	2	8589	BLADES PAIR - WING L/H
2	2	8590	BLADES PAIR - WING R/H
3	12	00763253	BLADE BUSHING
4	4	8279	TOP BLADE (WING)
4	2	8280	TOP BLADE (CENTRE)
5	6	7AH8141436	BOLT
6	6	00750226	LOCKNUT

# CHAIN GUARDS

Module(s): 1048504

**McCONEL**



**CHAIN GUARDS****McCONNEL**

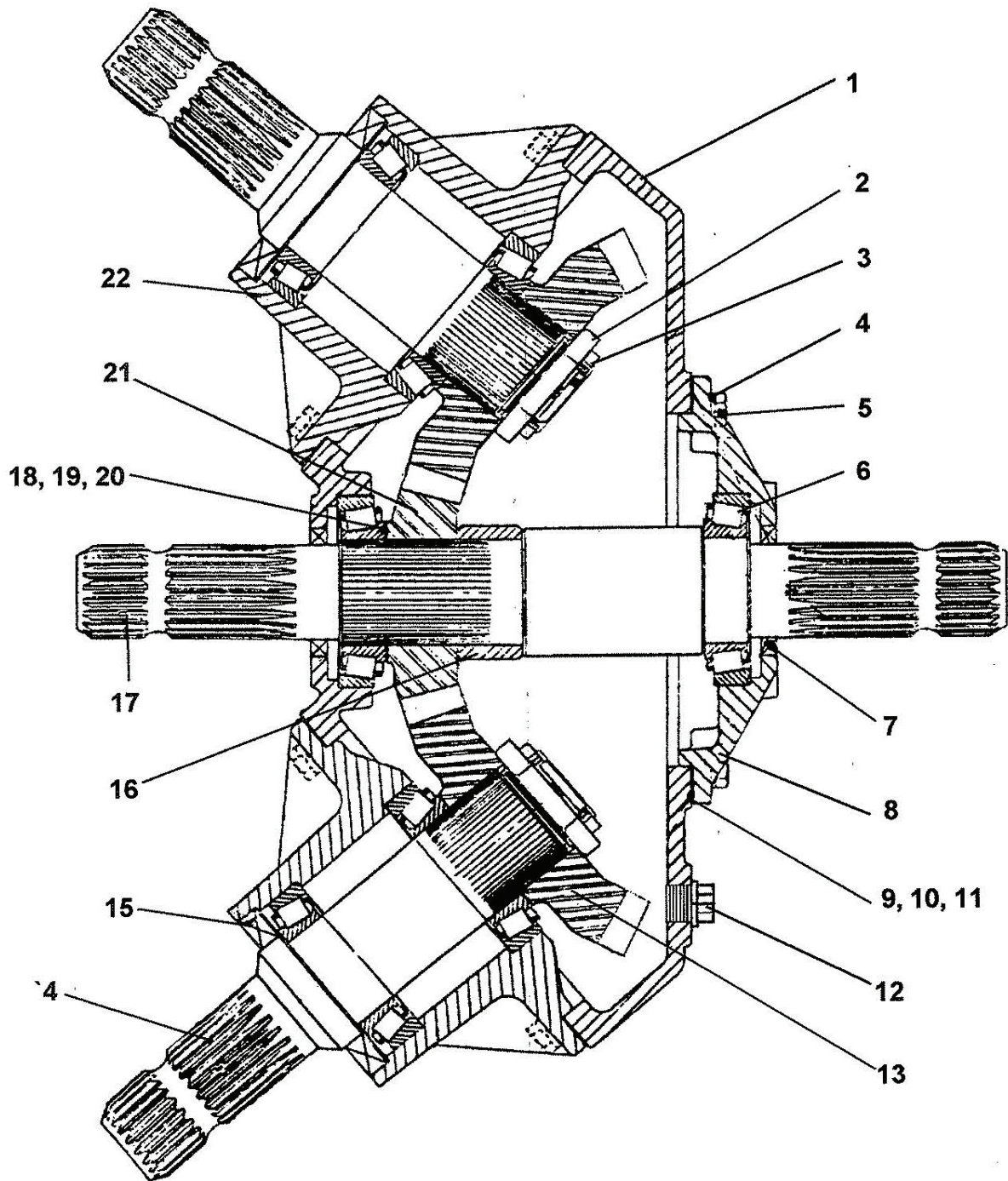
Module(s): 1048504

<b>REF.</b>	<b>QTY.</b>	<b>PART No.</b>	<b>DESCRIPTION</b>
		<b>1048504</b>	<b>CHAIN GUARDS ASSEMBLY</b>
1	2	1048401	GUARD ASSEMBLY - WING FRONT
2	1	1048402	GUARD ASSEMBLY - CENTRE REAR
3	2	1048403	GUARD ASSEMBLY - WING REAR
4	1	1048404	GUARD ASSEMBLY - CENTRE FRONT
5	1	1048405	GUARD ASSEMBLY - CENTRE FRONT L/H
6	1	1048406	GUARD ASSEMBLY - CENTRE FRONT R/H
7	2	1048407	GUARD ASSEMBLY - WING REAR INSIDE
8	6	45176.01	SPACER PIPE
	27	05.264.23	SETSCREW
	6	05.264.25	SETSCREW
	33	05.281.03	FLAT WASHER
	39	05.287.03	SELF-LOCKING NUT
	6	05.292.22	BOLT

# DIVIDER GEARBOX ASSEMBLY

Module(s): 00769116P

**McCONEL**



DIVIDER GEARBOX ASSEMBLY



Module(s): 00769116P

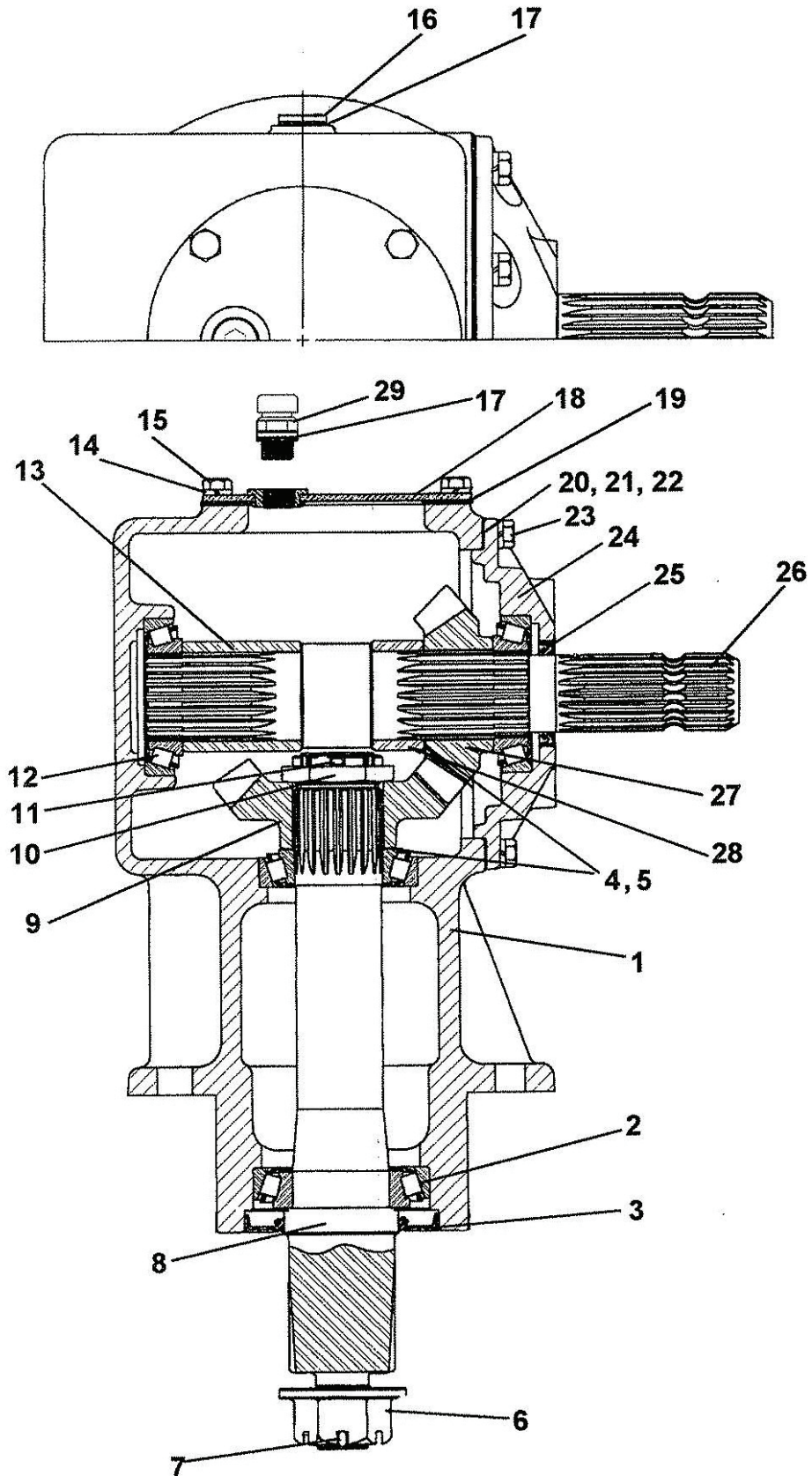
REF.	QTY.	PART No.	DESCRIPTION
		<b>00769116P</b>	<b>DIVIDER GEARBOX ASSEMBLY</b>
1	1	00769162	HOUSING
2	2	00762121	BEARING ADJUSTER NUT
3	2	00026200	COTTER PIN
4	24	00755954	LOCKWASHER
5	24	00758659	CAP SCREW
6	6	00755628	BEARING
7	2	00758653	SEAL
8	1	00762128	INPUT CAP
9	<i>as req'd</i>	00758646	GASKET (0.1)
10	<i>as req'd</i>	00758647	GASKET (0.25)
11	<i>as req'd</i>	00758648	GASKET (0.5)
12	1	00762123	PLUG
13	2	00769159	GEAR (26 TOOTH)
14	2	00762522	HORIZONTAL OUTPUT SHAFT
15	2	00762521	SEAL
16	1	00758657	SPACER
17	1	00769163	INPUT SHAFT
18	<i>as req'd</i>	00758667	SHIM
19	<i>as req'd</i>	00758666	SHIM
20	<i>as req'd</i>	00758668	SHIM
21	1	00769158	GEAR (20 TOOTH)
22	2	00762520	HORIZONTAL HUB CAP
23	1	00762114	PIPE PLUG - VENTED ( <i>not shown</i> )



Module(s): 00769918P, 00769924P

**LEFT WING - 00769918P**  
**CCW INPUT - CW OUTPUT**

**CENTRE SECTION - 00769924P**  
**CW INPUT - CCW OUTPUT**



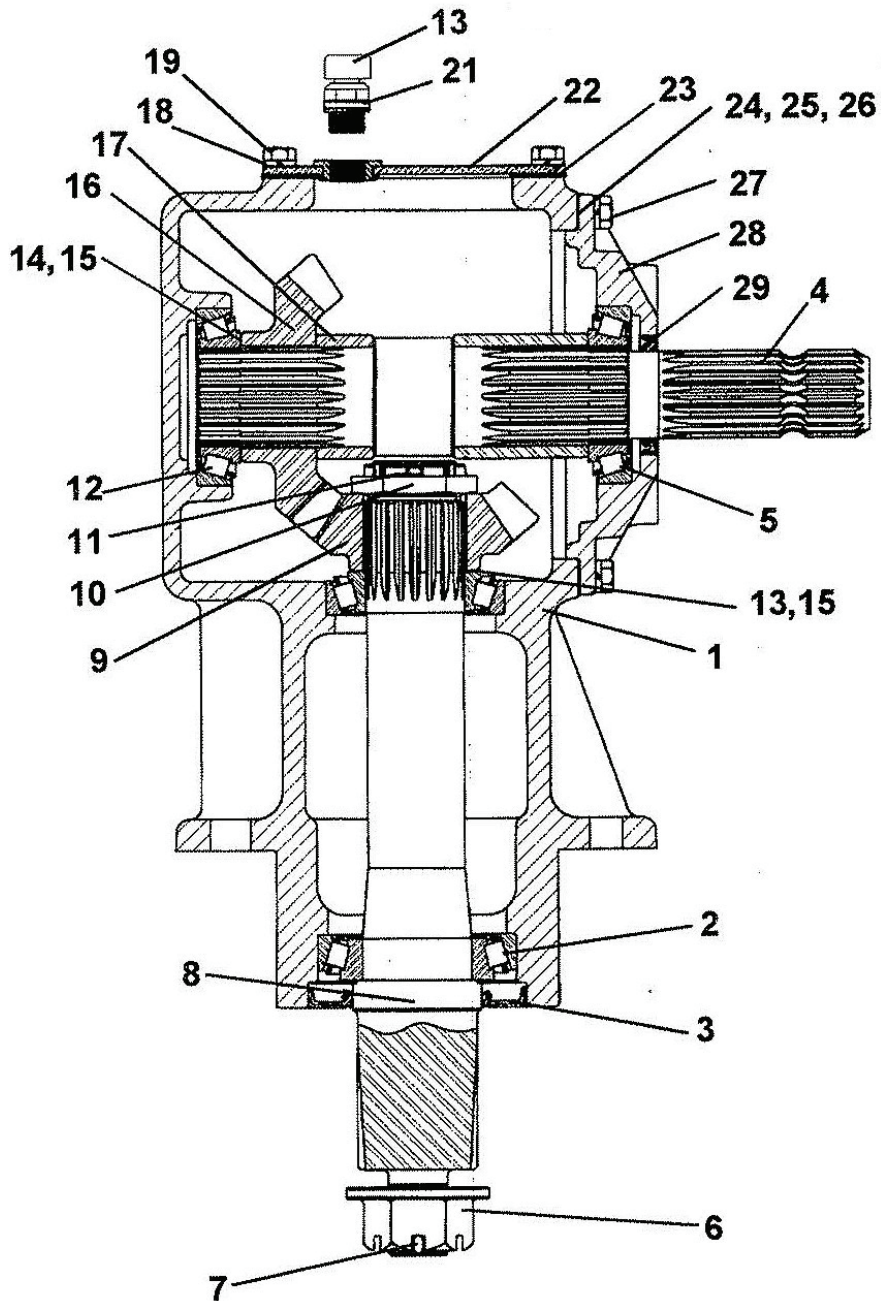
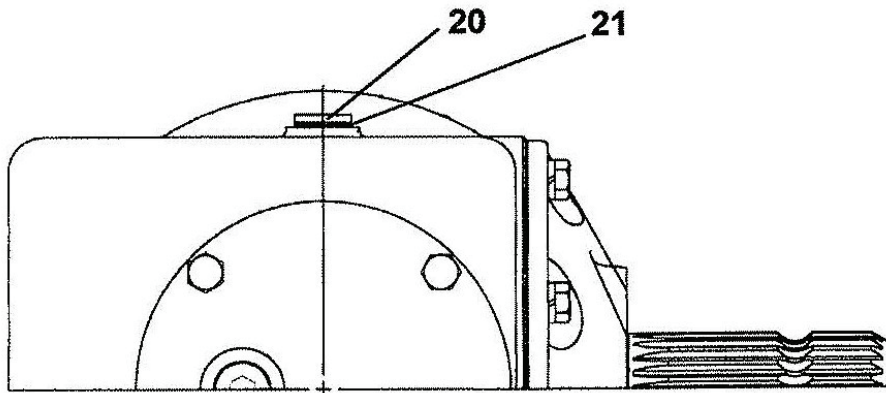
## GEARBOXES – LEFT WING &amp; CENTRE DECK

**McCONNEL**

Module(s): 00769918P, 00769924P

REF.	QTY.	PART No.	DESCRIPTION
		<b>00769918P</b>	<b>GEARBOX ASSEMBLY - L/H WING</b>
		<b>00769924P</b>	<b>GEARBOX ASSEMBLY - CENTRE DECK</b>
1	1	00770724	HOUSING
2	1	00770725	BEARING ASSEMBLY
3	1	00770726	OIL SEAL
4	<i>as req'd</i>	00758667	SHIM (0.30)
5	<i>as req'd</i>	00758668	SHIM (0.50)
6	1	00771226	FLANGE NUT (SLOTTED)
7	1	01422502	COTTER PIN
8	1	00770728	VERTICLE OUTPUT SHAFT
9	1	00770738	GEAR (14 TOOTH) <b>Gearbox 00769918P</b>
	1	00770739	GEAR (17 TOOTH) <b>Gearbox 00769924P</b>
10	1	00762121	NUT
11	1	00606000	COTTER PIN
12	3	00755628	BEARING ASSEMBLY
13	1	00770731	INPUT SHAFT SPACER
14	12	00766083	LOCKWASHER
15	4	00754338	BOLT
16	1	00762517	PLUG - SOCKET HEAD
17	2	00769321	SEALING WASHER
18	1	00770732	INSPECTION COVER
19	1	00770733	INSPECTION COVER GASKET
20	<i>as req'd</i>	00758646	SHIM (0.10)
21	<i>as req'd</i>	00758647	SHIM (0.25)
22	<i>as req'd</i>	00758648	SHIM (0.50)
23	8	00765905	BOLT
24	1	00770734	INPUT CAP
25	1	00758653	SEAL
26	1	00770735	INPUT SHAFT
27	1	00770739	GEAR (17 TOOTH) <b>Gearbox 00769924P</b>
	1	00770738	GEAR (14 TOOTH) <b>Gearbox 00769918P</b>
28	1	00758657	INPUT SHAFT SPACER
29	1	00762114	PRESSURE RELIEF VALVE
		<b>00769918P</b>	<b>GEARBOX: CCW INPUT / CW OUTPUT</b>
		<b>00769924P</b>	<b>GEARBOX: CW INPUT / CCW OUTPUT</b>

**RIGHT WING - 00769921P  
CW INPUT - CW OUTPUT**

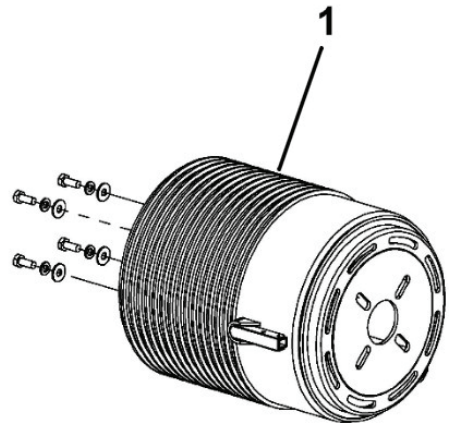
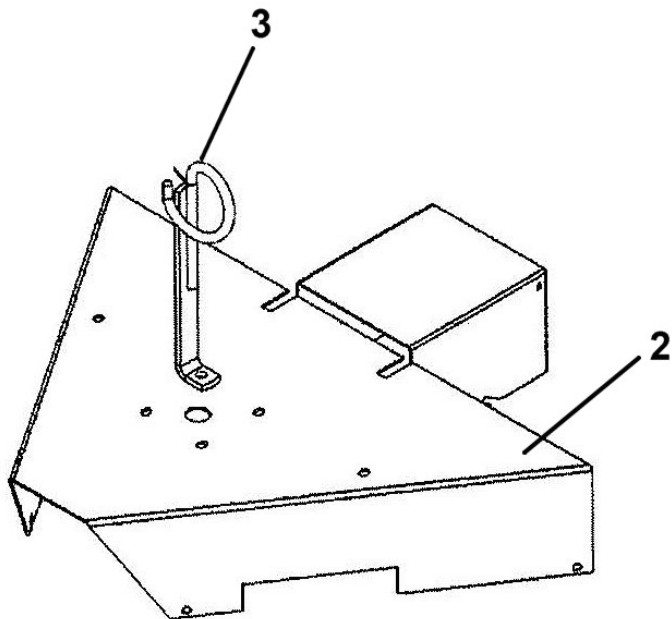
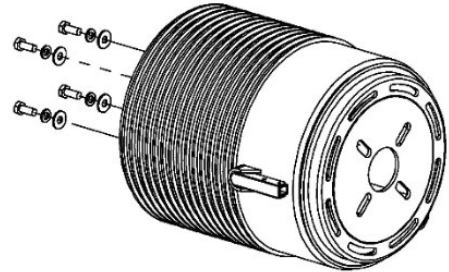
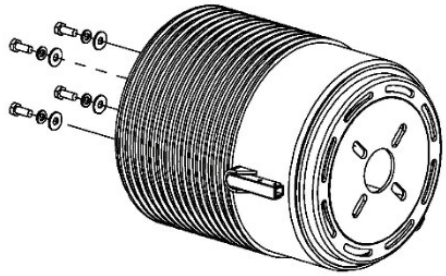


## GEARBOX ASSEMBLY – RIGHT WING

**McCONNEL**

Module(s): 00769921P

REF.	QTY.	PART No.	DESCRIPTION
		<b>00769921P</b>	<b>GEARBOX ASSEMBLY - R/H WING</b>
1	1	00770724	HOUSING
2	1	00770725	BEARING ASSEMBLY
3	1	00770726	OIL SEAL
4	1	00770735	INPUT SHAFT
5	1	00770731	INPUT SHAFT SPACER
6	1	00771226	FLANGE NUT (SLOTTED)
7	1	01422502	COTTER PIN
8	1	00770728	VERTICLE OUTPUT SHAFT
9	1	00770738	GEAR (14 TOOTH)
10	1	00762121	NUT
11	1	00606000	COTTER PIN
12	3	00755628	BEARING ASSEMBLY
13	1	00762114	PRESSURE RELIEF VALVE
14	<i>as req'd</i>	00758667	SHIM (0.30)
15	<i>as req'd</i>	00758668	SHIM (0.50)
16	1	00770739	GEAR (17 TOOTH)
17	1	00758657	INPUT SHAFT SPACER
18	12	00766083	LOCKWASHER
19	4	00754338	BOLT
20	1	00762517	PLUG - SOCKET HEAD
21	2	00769321	SEALING WASHER
22	1	00770732	INSPECTION COVER
23	1	00770733	INSPECTION COVER GASKET
24	<i>as req'd</i>	00758646	SHIM (0.10)
25	<i>as req'd</i>	00758647	SHIM (0.25)
26	<i>as req'd</i>	00758648	SHIM (0.50)
27	8	00765905	BOLT
28	1	00770734	INPUT CAP
29	1	00758653	SEAL
		<b>00769921P</b>	<b>GEARBOX: CW INPUT / CCW OUTPUT</b>

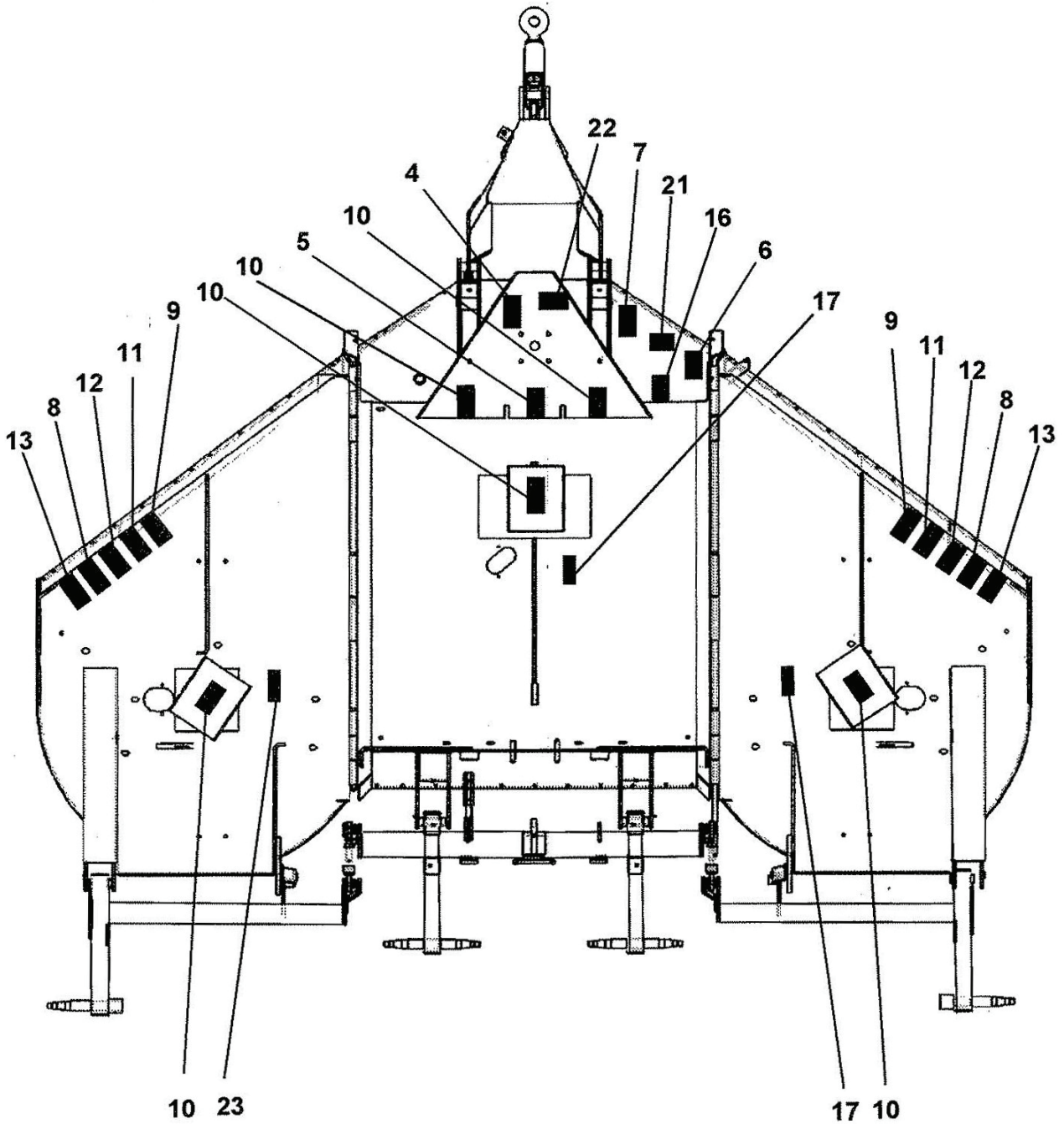


**DRIVELINE GUARDS**



Module(s): 77.600.35

<b>REF.</b>	<b>QTY.</b>	<b>PART No.</b>	<b>DESCRIPTION</b>
		<b>77.600.35</b>	<b>DRIVELINE GUARDS ASSEMBLY</b>
1	3	21839.01	PTO GUARD
2	1	45231.01	GUARD DIVIDER
3	1	45245.01	HOSE BRACKET SUPPORT
4	1	45245.02	HOSE BRACKET (not shown)
	6	0100202	SPRING WASHER
	3	0111001	PLAIN NUT
	12	0312062	SETSCREW
	6	05.256.22	SETSCREW
	12	05.264.01	SETSCREW
	2	05.264.13	SETSCREW
	1	05.264.35	SETSCREW
	12	05.281.01	FLAT WASHER
	2	05.281.02	FLAT WASHER
	6	05.281.03	FLAT WASHER
	3	05.281.10	FLAT WASHER
	12	05.282.01	SPRING WASHER
	3	05.282.07	SPRING WASHER
	2	05.287.02	SELF-LOCKING NUT
	1	05.287.04	SELF-LOCKING NUT
	6	05.293.05	SPRING WASHER



MACHINE DECALS

**McCONNEL**

Module(s): 1048511

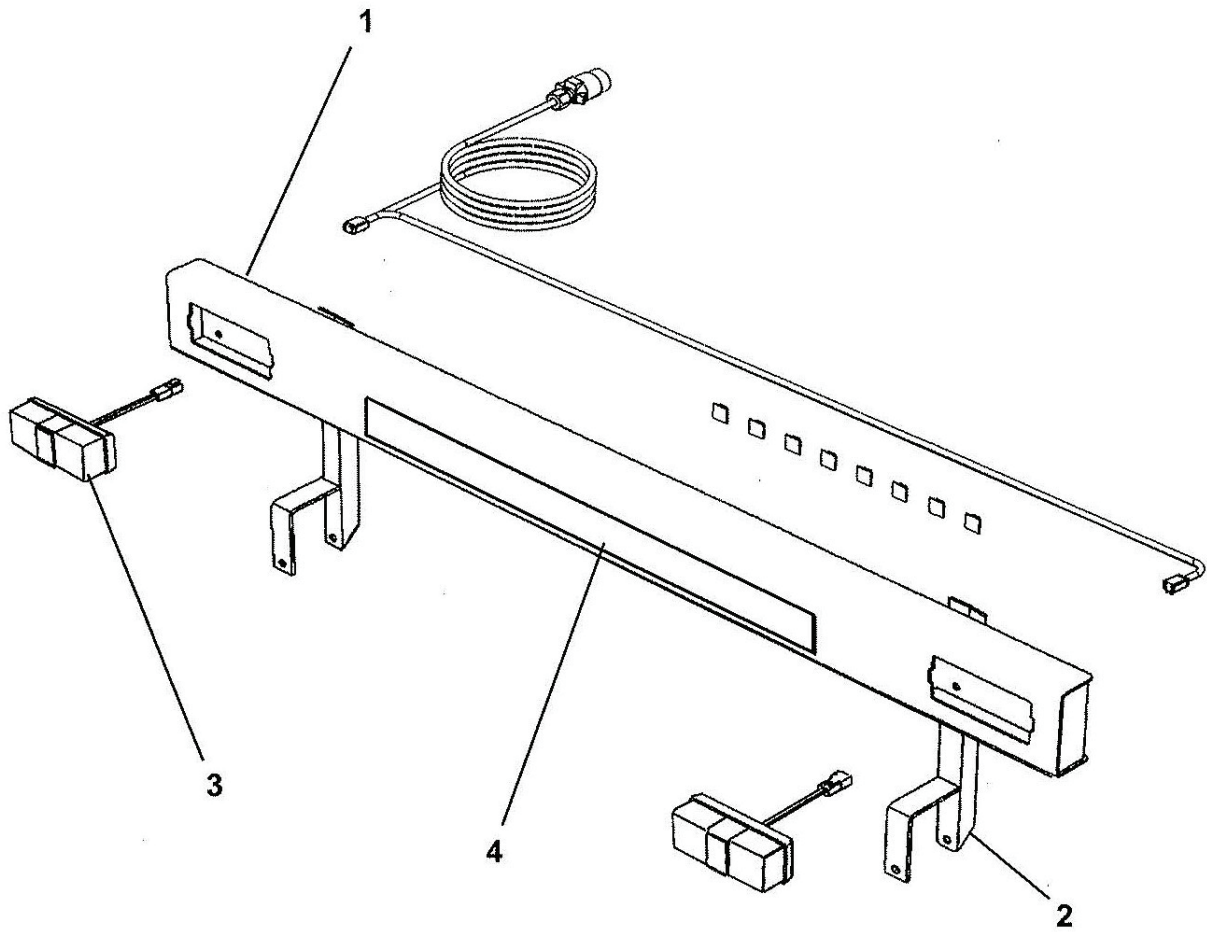
REF.	QTY.	PART No.	DESCRIPTION
		<b>1048511</b>	<b>DECAL KIT - SR15/6</b>
1	1	4 09.810.01	DECAL - GREASE (8 HOURS)
2	2	4 09.810.02	DECAL - GREASE (40 HOURS)
3	3	3 09.810.05	DECAL - OIL LEVEL
4	4	1 09.811.05	DECAL - MAX PTO SPEED 1000 ACW
5	5	1 09.821.07	DECAL - RESIDUAL PRESSURE
6	6	1 09.821.10	DECAL - KEEP NUTS TIGHT
7	7	1 09.821.15	DECAL - READ INSTRUCTION BOOK
8	8	2 09.821.18	DECAL - THROWN DEBRIS
9	9	2 09.821.19	DECAL - ROTARY HEAD DANGER
10	10	5 09.821.20	DECAL - SHAFT ENTANGLEMENT
11	11	2 09.821.21	DECAL - FALLING WING
12	12	2 09.821.22	DECAL - UNBLOCK HEAD (ROTARY)
13	13	2 09.821.25	DECAL - RAISED WING DANGER
14	14	4 09.843.07	DECAL - LIFT POINT
16	15	2 757157	DECAL - SR15 - 6
18	16	1 763613	DECAL - SLIP CLUTCH ADJUSTMENT
19	17	2 D137	DECAL - BLADE CCW ROTATION
23	18	2 1290255	DECAL - MCCONNEL
24	19	1 1290392	DECAL - PARTS
25	20	2 05.227.01	HAMMER DRIVE SCREW
25	21	1 1335246	SERIAL NO. PLATE MCCONNEL
26	22	1 D102	DECAL - PTO
27	23	1 D138	DECAL - BLADE CW ROTATION
28	24	4 7560093	ADHESIVE REFLECTOR
		21175.01	WARNING LABEL
		7135084	HOSE TIE
		21175.02	WARNING LABEL
		09.821.29	COMBINED EURODECAL
		09.821.30	COMBINED EURODECAL
		09.821.34	COMBINED EURODECAL
		1290533	DECAL - MCCONNEL



# LIGHTBAR ASSEMBLY

**McCONNEL**

Module(s): 1048518



**LIGHTBAR ASSEMBLY****McCONNEL**

Module(s): 1048518

<b>REF.</b>	<b>QTY.</b>	<b>PART No.</b>	<b>DESCRIPTION</b>
		<b>1048518</b>	<b>LIGHTBAR ASSEMBLY</b>
1	4	05.282.02	SPRING WASHER
1	4	05.264.51	SETSCREW
1	1	45381.03	LIGHT BAR
2	2	05.287.03	SELF-LOCKING NUT
2	2	05.292.26	BOLT
2	2	45558.03	BRACKET
3	1	45900.03	LIGHT KIT
4	1	1290527	DECAL – McCONNEL



McConnel Limited, Temeside Works, Ludlow, Shropshire SY8 1JL. England.  
Telephone: 01584 873131. Facsimile: 01584 876463. [www.mcconnel.com](http://www.mcconnel.com)