

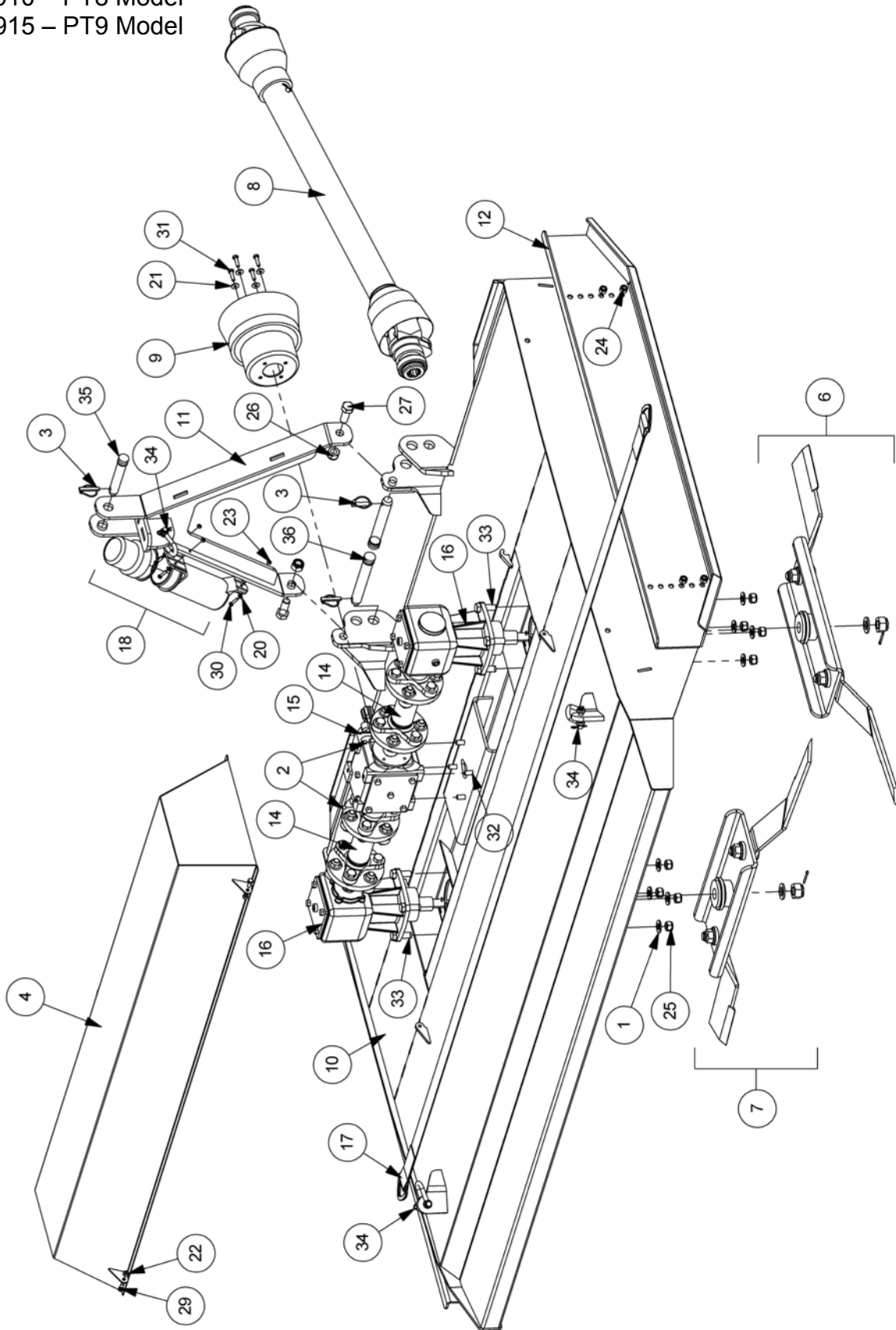
PT8 & PT9
Pasture Toppers
Parts List

MAIN ASSEMBLY

Modules:

1096910 – PT8 Model

1096915 – PT9 Model



**MAIN ASSEMBLY**

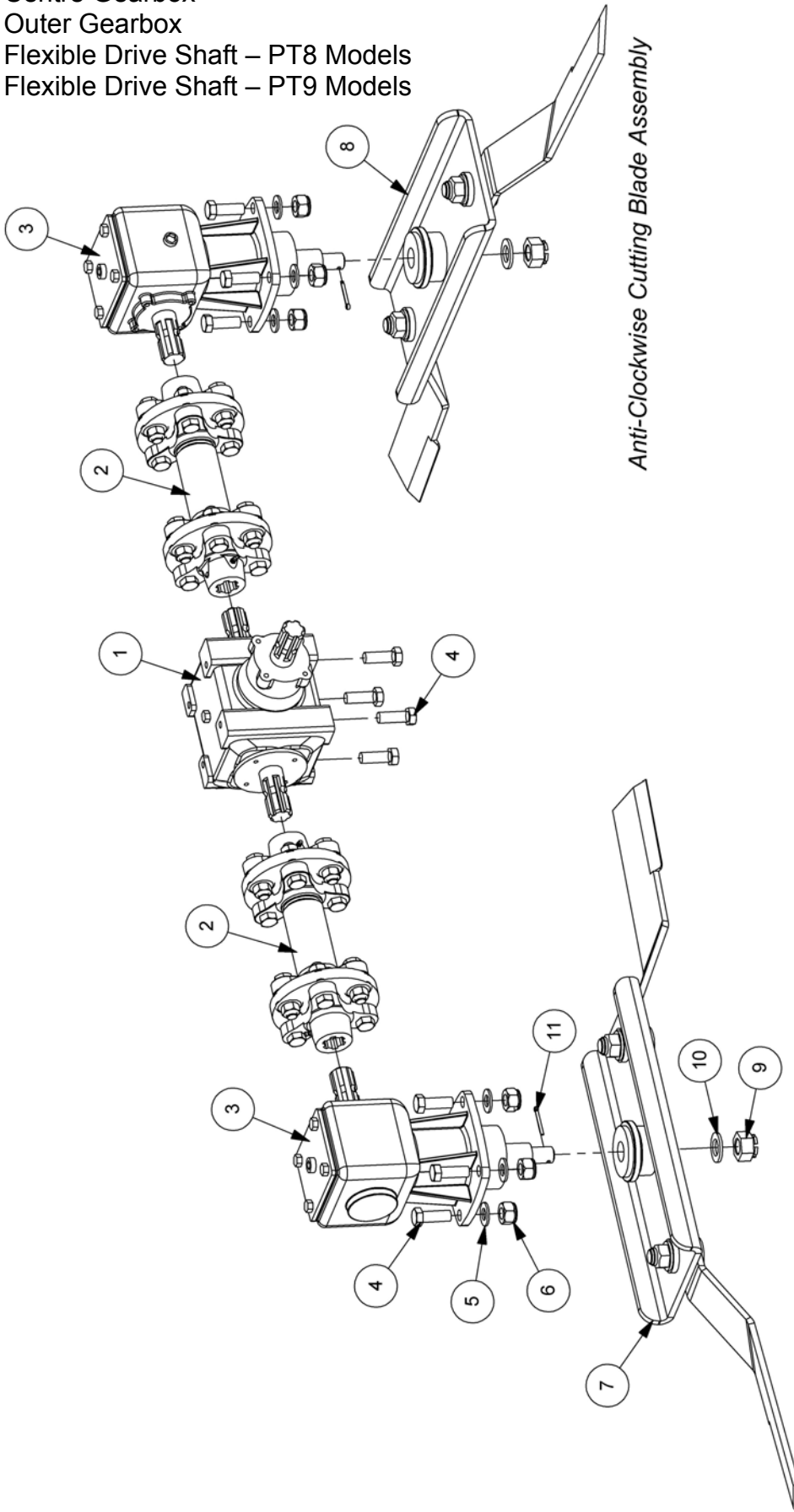
REF.	QTY.	PART NO.	DESCRIPTION
		1096910	MAIN ASSEMBLY - PT8 Models
		1096915	MAIN ASSEMBLY - PT9 Models
1	8	0100106	FLAT WASHER
2	2	0366033	GRUB SCREW
3	3	0431217	LINCH PIN
4	1	1096702	DRIVE COVER
5	1	1096705	DECAL KIT - PT8 Models
	1	1096706	DECAL KIT - PT9 Models
6	1	1096711	CUTTING BLADE MODULE (CW) - PT8 Models
	1	1096713	CUTTING BLADE MODULE (CW) - PT9 Models
7	1	1096712	CUTTING BLADE MODULE (ACW) - PT8 Models
	1	1096714	CUTTING BLADE MODULE (ACW) - PT9 Models
8	1	21040.03	PTO SHAFT
9	1	21238.01	COUNTER CONE
10	1	21451.03	MAIN DECK - PT8 Models
	1	21451.04	MAIN DECK - PT9 Models
11	1	21452.01	A-FRAME
12	2	21453.01	SIDE SKID
13	4	21455.02	STACKING TRANSPORT BRACKET <i>(not illustrated)</i>
14	2	21457.04	FLEXIBLE DRIVE SHAFT - PT8 Models
	2	21457.02	FLEXIBLE DRIVE SHAFT - PT9 Models
15	1	21459.01	CENTRE GEARBOX
16	2	21459.02	OUTER GEARBOX
17	1	21461.01	WEBBING STRAP
18	1	46505.01	LITERATURE HOLDER
19	2	7190107	HOSE TIE
20	3	9100103	FLAT WASHER
21	4	9100104	FLAT WASHER
22	2	9143004	SELF-LOCKING NUT
23	3	9163003	NYLOC NUT
24	16	9163006	NYLOC NUT
25	8	9163007	NYLOC NUT
26	2	9163008	NYLOC NUT
27	2	9213108	BOLT
28	4	9213126	BOLT <i>(not illustrated)</i>
29	2	9313044	SETSCREW
30	3	9313053	SETSCREW
31	4	9313064	SETSCREW
32	16	9313066	SETSCREW <i>(4 off for Packaging use only)</i>
33	8	9313097	SETSCREW
34	3	0027(ELA0027)	SHACKLE ASSEMBLY
35	1	T2584	TOP LINK PIN
36	2	T7482	LOWER LINK PIN

Note: Items 13 & 28 are for packaging use only along with 4 x item 32

DRIVE ASSEMBLY

Modules:

- 21459.01 – Centre Gearbox
- 21459.02 – Outer Gearbox
- 21457.04 – Flexible Drive Shaft – PT8 Models
- 21457.02 – Flexible Drive Shaft – PT9 Models



Anti-Clockwise Cutting Blade Assembly

Clockwise Cutting Blade Assembly

DRIVE ASSEMBLY

REF.	QTY.	PART NO.	DESCRIPTION
			DRIVE ASSEMBLY
1	1	21459.01	CENTRE GEARBOX
2	2	21457.04	FLEXIBLE DRIVE SHAFT - PT8 Models
	2	21457.02	FLEXIBLE DRIVE SHAFT - PT9 Models
3	2	21459.02	OUTER GEARBOX
4	12	9313097	SETSCREW
5	8	0100106	FLAT WASHER
6	8	9163008	NYLOC NUT
7	1	1096711	CW CUTTING BLADE ASSEMBLY - PT8 Models
	1	1096713	CW CUTTING BLADE ASSEMBLY - PT9 Models
8	1	1096712	ACW CUTTING BLADE ASSEMBLY - PT8 Models
	1	1096714	ACW CUTTING BLADE ASSEMBLY - PT9 Models
9	2		* CASTLE NUT
10	2		* WASHER
11	2		* COTTER PIN

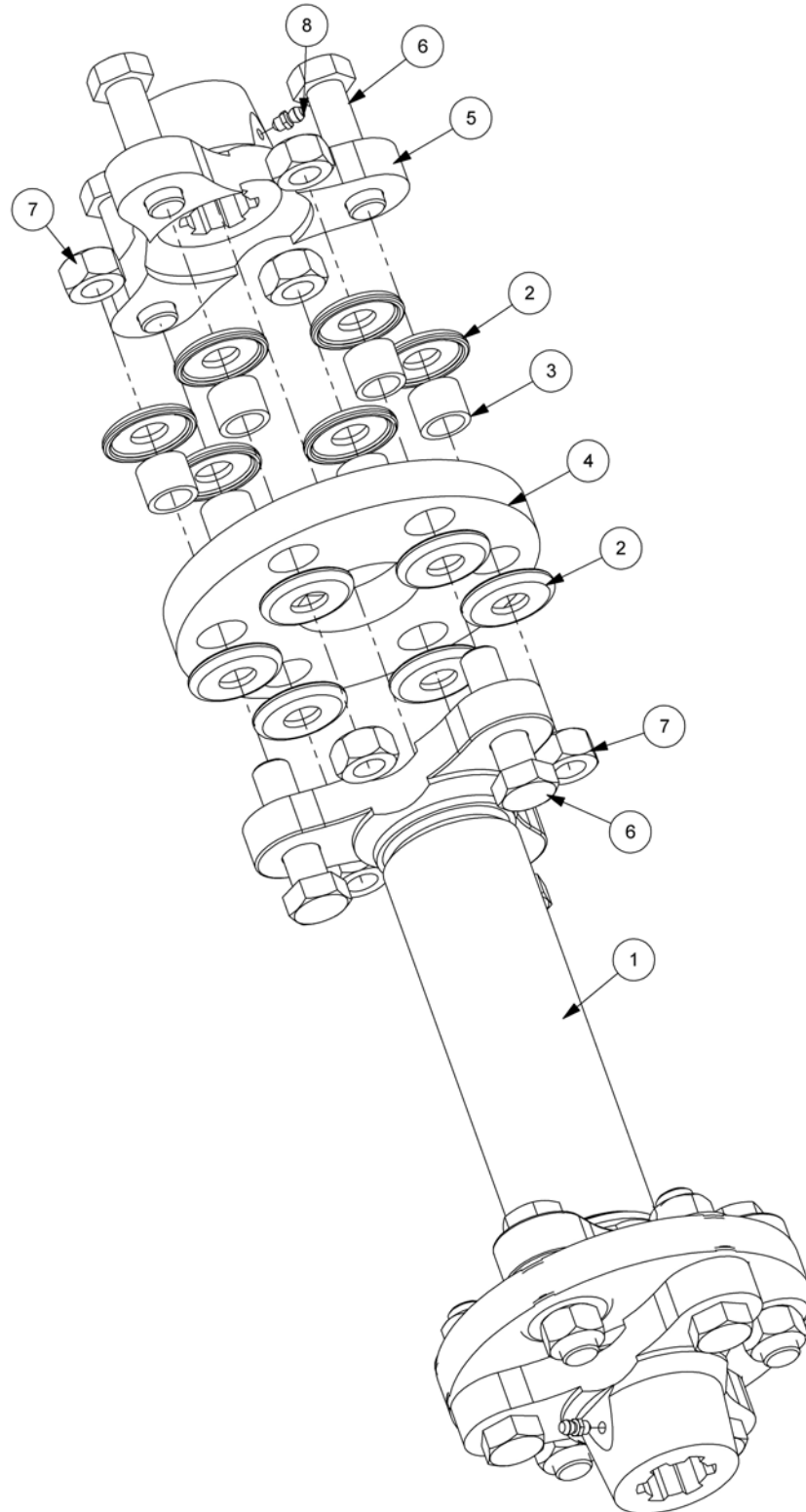
* **NOTE:** Outer Gearbox (21459.02) come complete with items 9, 10 & 11 included.

FLEXIBLE DRIVESHAFT

Modules:

21457.04 – PT8 Models

21457.02 – PT9 Models



**FLEXIBLE DRIVESHAFT**

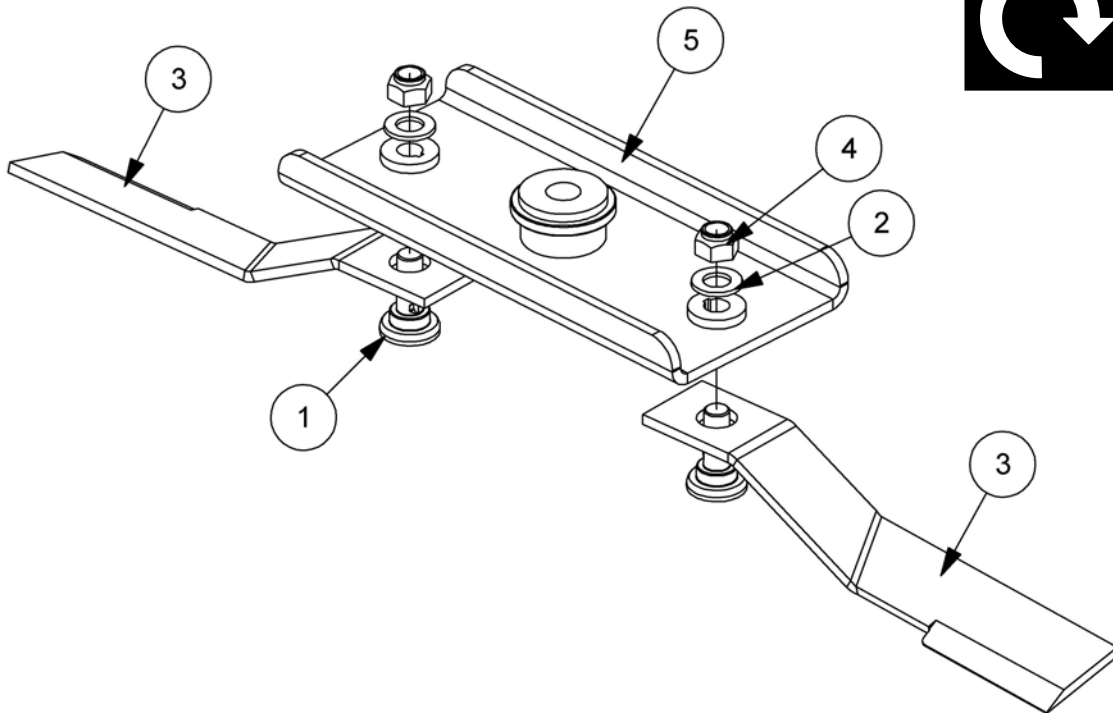
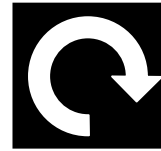
	QTY.	PART NO.	DESCRIPTION
		21457.04	FLEXIBLE DRIVESHAFT ASSEMBLY - PT8 Models
		21457.02	FLEXIBLE DRIVESHAFT ASSEMBLY - PT9 Models
1	1	21457.03	DRIVESHAFT - PT8 Models
	1	21457.01	DRIVESHAFT - PT9 Models
2	24	00766475A	GRIP WASHER
3	12	00771287	SPACER BUSH
4	2	00762215	ELASTOMER COUPLER
5	2	21457.33	DRIVESHAFT COUPLING
6	12	9213127	BOLT
7	12	9113007	NUT
8	2	0901161	GREASE NIPPLE

CUTTING BLADE ASSEMBLIES

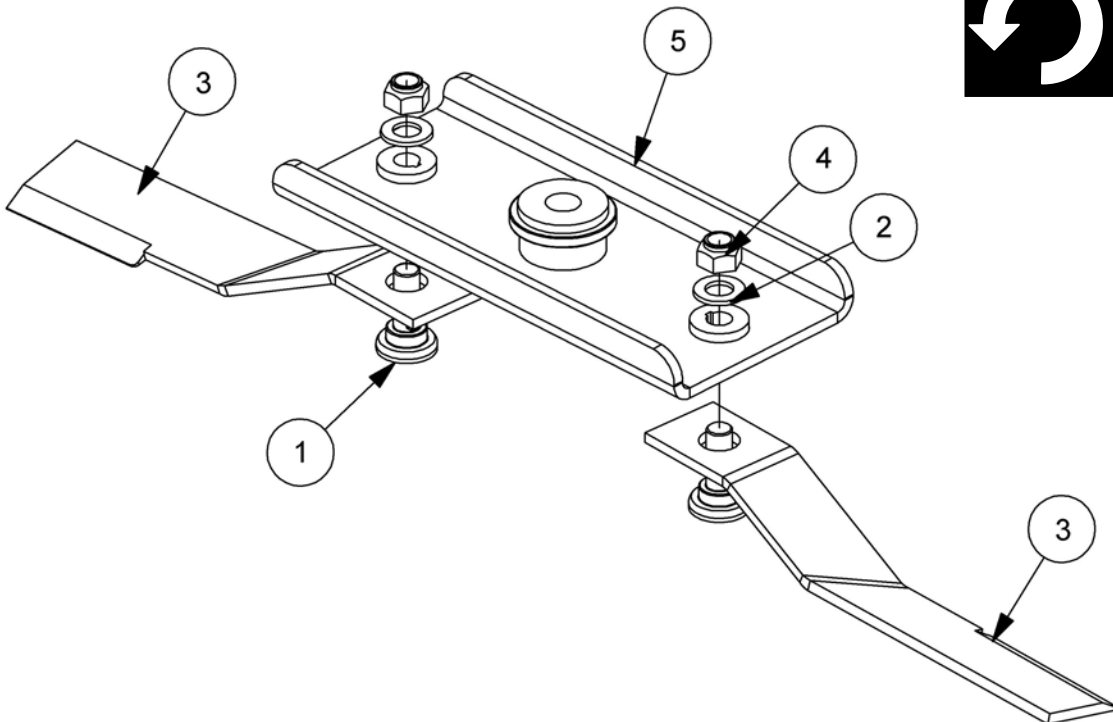
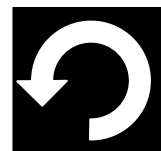
Modules:

- 1096711 – PT8 (Clockwise Cutting Blade Assembly)
- 1096713 – PT9 (Clockwise Cutting Blade Assembly)
- 1096712 – PT8 (Anti-Clockwise Cutting Blade Assembly)
- 1096714 – PT9 (Anti-Clockwise Cutting Blade Assembly)

Clockwise Blade Cutting Assembly



Anti-Clockwise Blade Cutting Assembly

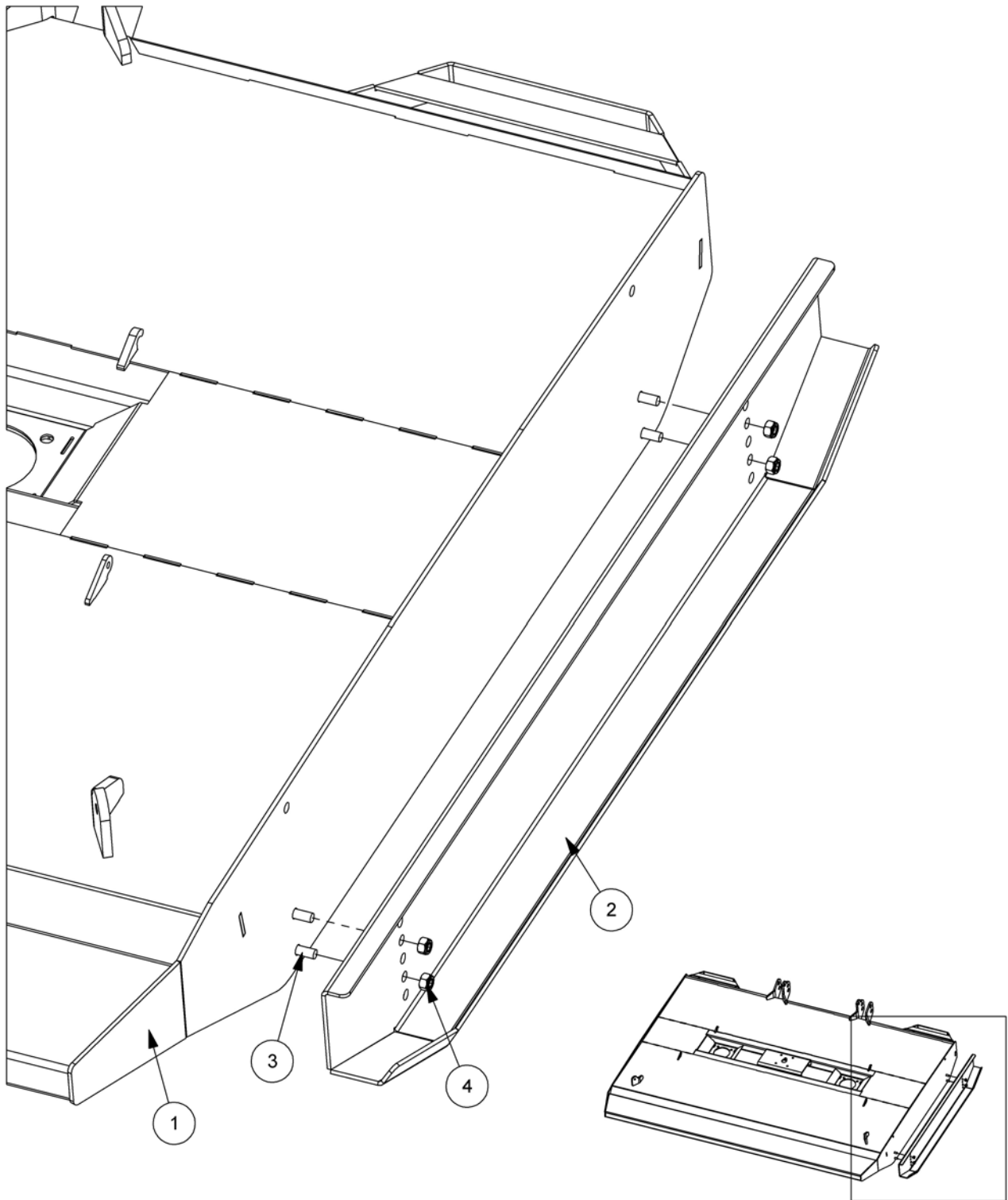


**CUTTING BLADE ASSEMBLIES**

REF.	QTY.	PART NO.	DESCRIPTION
		1096711	PT8 CW CUTTING BLADE ASSEMBLY
		1096713	PT9 CW CUTTING BLADE ASSEMBLY
1	2	00761402	SPECIAL BOLT
2	2	00761535	SPECIAL WASHER
3	2	00761985	SUCTION BLADE - <i>Clockwise Cutting</i>
4	2	0141008	CLEVELOC NUT
5	1	21456.04	BLADE CARRIER - PT8 Models
	1	21456.05	BLADE CARRIER - PT9 Models

REF.	QTY.	PART NO.	DESCRIPTION
		1096712	PT8 ACW CUTTING BLADE ASSEMBLY
		1096714	PT9 ACW CUTTING BLADE ASSEMBLY
1	2	00761402	SPECIAL BOLT
2	2	00761535	SPECIAL WASHER
3	2	1046007	SUCTION BLADE - <i>Anti-Clockwise Cutting</i>
4	2	0141008	CLEVELOC NUT
5	1	21456.04	BLADE CARRIER - PT8 Models
	1	21456.05	BLADE CARRIER - PT9 Models

SIDE SKIDS



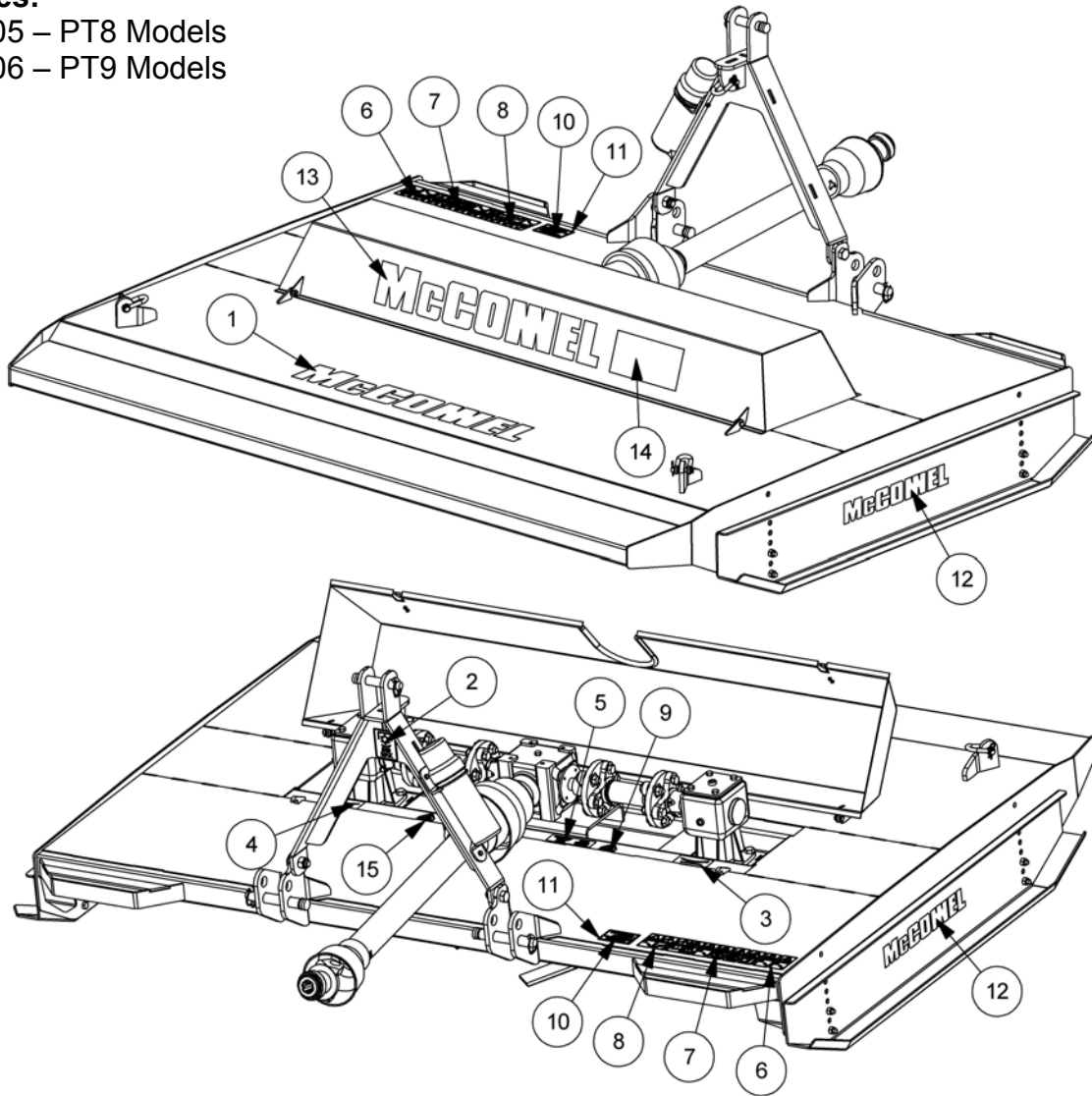
REF.	QTY.	PART NO.	DESCRIPTION
1	1	21451.03	MAIN DECK - PT8
	1	21451.04	MAIN DECK - PT9
2	2	21453.01	SIDE SKID
3	8	9313066	SETSCREW
4	8	9163006	NYLOC NUT

MACHINE DECALS

Modules:

1096705 – PT8 Models

1096706 – PT9 Models



REF.	QTY.	PART NO.	DESCRIPTION
		1096705	DECAL KIT - PT8 Models
		1096706	DECAL KIT - PT9 Models
1	1	1290527	DECAL - McCONNEL
2	1	09.811.04	DECAL - 540 RPM PTO SPEED
3	1	D137	DECAL - CCW BLADE ROTATION
4	1	D138	DECAL - CW BLADE ROTATION
5	1	D132	DECAL - BLADE TIMING
6	1	09.821.29	DECAL - COMBINED EURODECAL
7	1	09.821.30	DECAL - COMBINED EURODECAL
8	1	09.821.34	DECAL - COMBINED EURODECAL
9	2	09.810.02	DECAL - GREASE (40 HOURS)
10	1	1335246	SERIAL No. PLATE
11	4	7103230	POP RIVET
12	2	1290614	DECAL - McCONNEL (WHITE)
13	1	1290649	DECAL - McCONNEL (SILVER)
14	1	1290654	DECAL - PT8 (SILVER)
	1	1290655	DECAL - PT9 (SILVER)