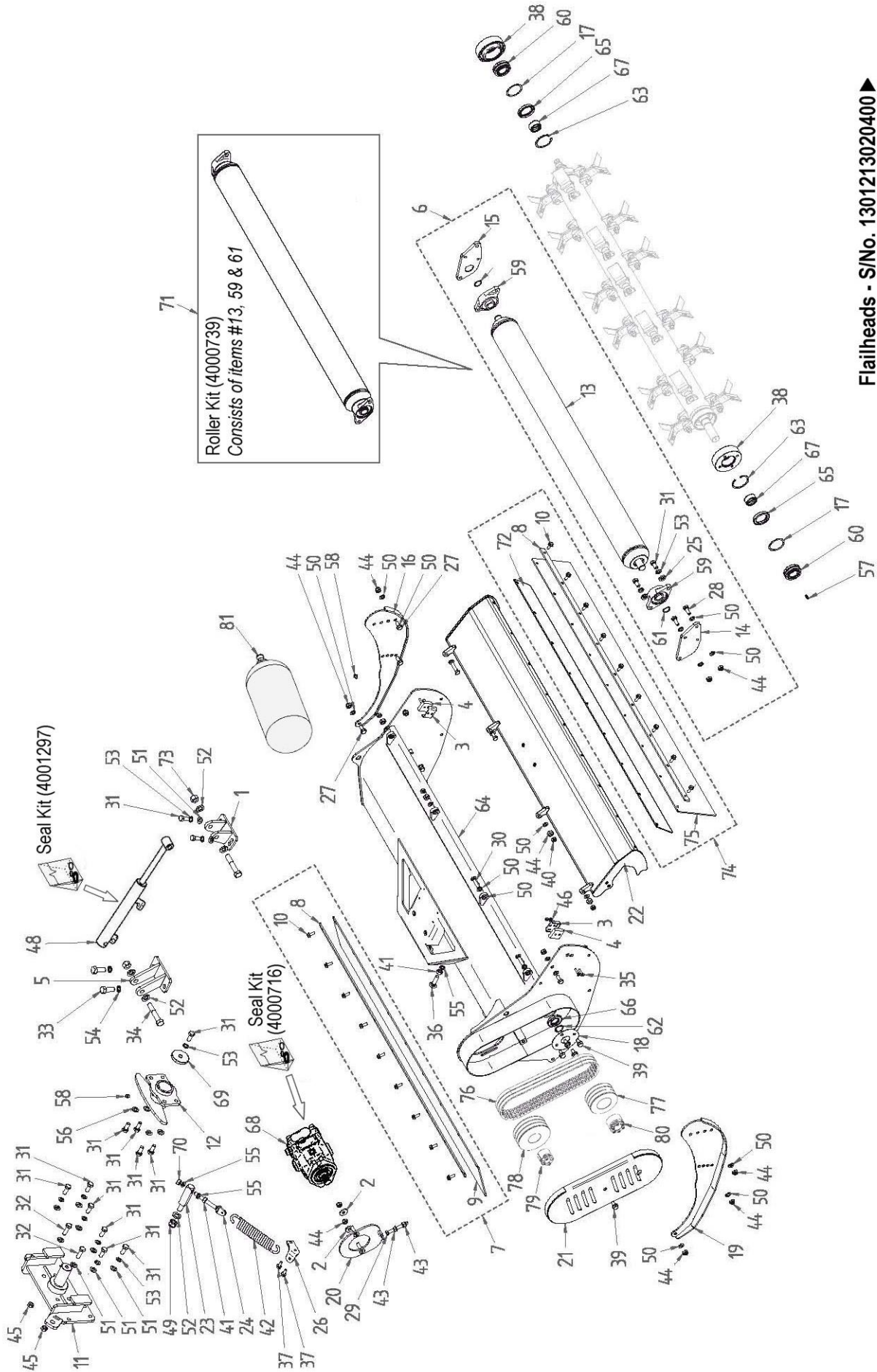


ROBOCUT FLAILHEAD

Parts Manual

Flailhead S/No: 1301213020400 ▶
Robocut S/No: ROBO021400400 ▶

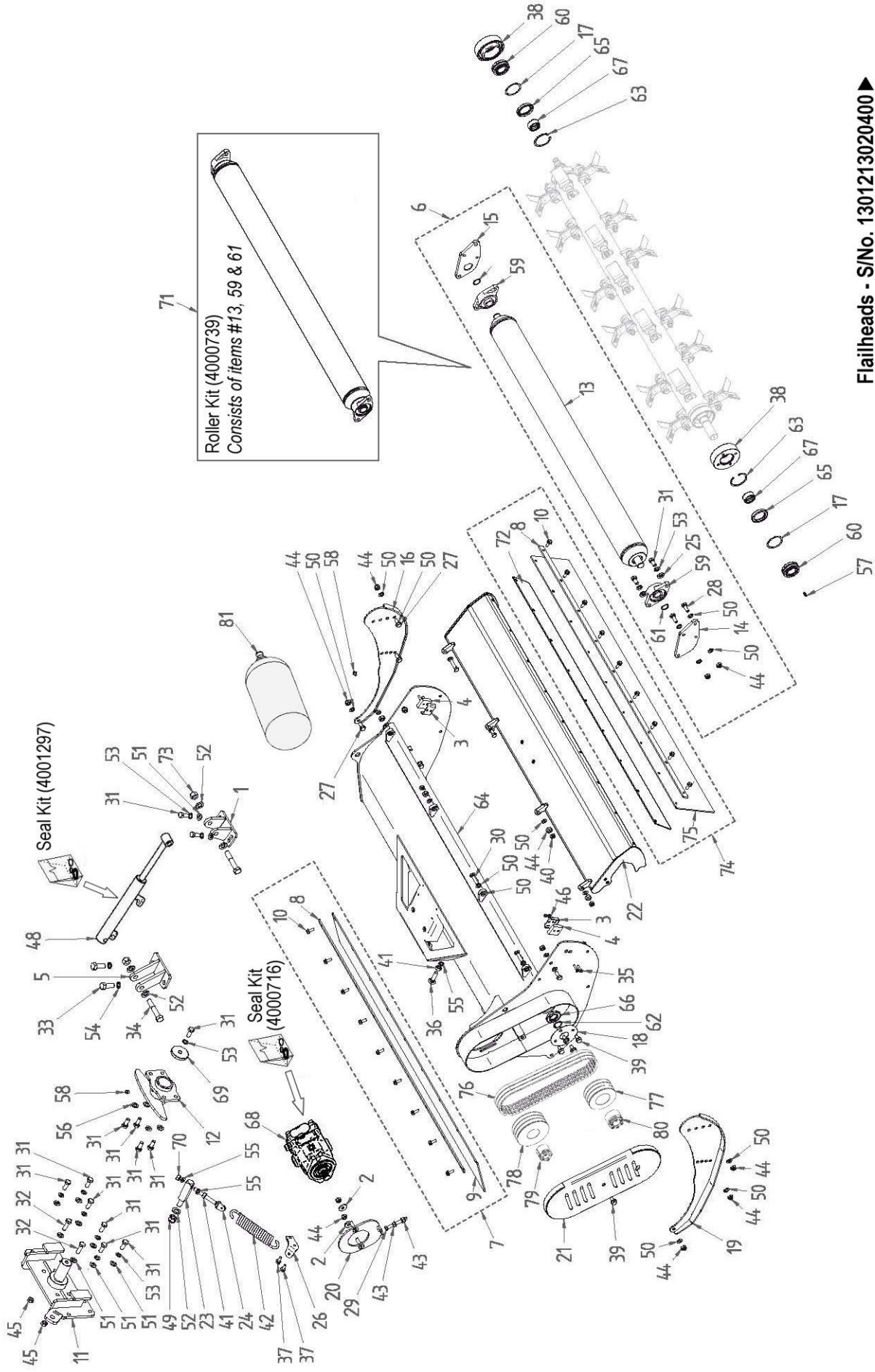




Flailheads - S/No. 1301213020400 ▶

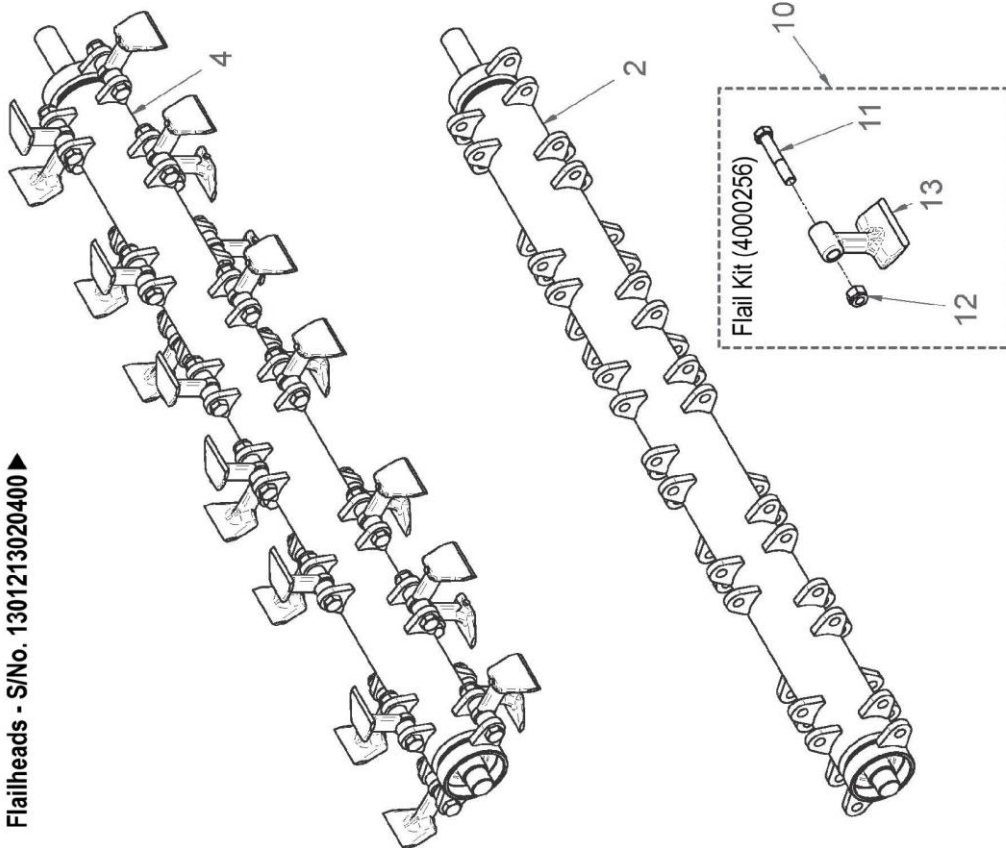
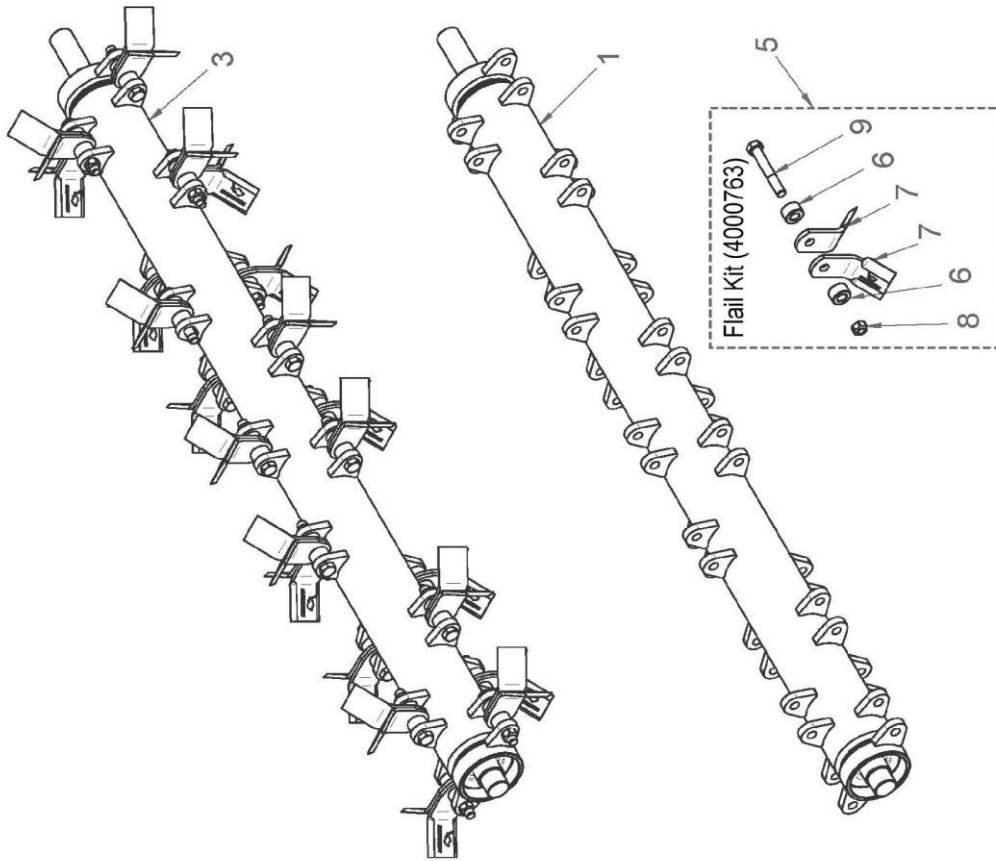
REF.	QTY.	PART No.	DESCRIPTION
			ROBOCUT FLAILHEAD ASSEMBLY
			Builds - Serial No. 1301213020400 ▶
1	1	4000182	CYLINDER FIXING STIRRUP
2	2	4001381	WASHER
3	2	4000183	RUBBER STOP
4	2	4000184	STOP BRACKET
5	1	4000185	RAM BRACKET
6	1	4000752	ROLLER ASSEMBLY
7	1	4000702	FLAP KIT
8	2	4000188	CLAMP STRIP
9	1	4000189	RUBBER FLAP
10	18	4000445	BOLT
11	1	4000192	HEAD PIVOT BRACKET
12	1	4000193	PIVOT JOINT
13	1	4000194	ROLLER
14	1	4000195	ROLLER BRACKET - R/H
15	1	4000196	ROLLER BRACKET - L/H
16	1	4000197	LEFT SKID
17	2	4000198	WASHER
18	1	4000199	PLATE
19	1	4000200	RIGHT SKID
20	1	4000201	MOTOR MOUNTING PLATE
21	1	4000202	BELT COVER
22	1	4001311	FRONT HOOD
23	1	4000205	SPRING TENSIONER FIXING
24	1	4000206	SPRING TENSIONER
25	4	4001422	WASHER
26	1	4000338	SPRING BRACKET
27	6	4000210	BOLT
28	4	4004008	SETSCREW
29	1	4000208	BOLT
30	4	4000651	BOLT
31	17	4000212	BOLT
32	2	4000681	BOLT
33	2	4000252	BOLT
34	2	4000213	BOLT
35	4	4001423	BOLT
36	2	4000215	BOLT
37	2	4000353	BOLT
38	2	4000191	ROTOR BEARING SUPPORT
39	9	4000217	BOLT
40	4	4001424	NUT
41	3	4000218	NUT
42	1	4000749	SPRING
43	2	4000220	FLANGED NUT
44	16	4000416	NUT





REF.	QTY.	PART No.	DESCRIPTION
			ROBOCUT FLAILHEAD ASSEMBLY
			Builds - Serial No. 1301213020400 ►
45	2	4000077	NUT
46	4	4001425	NUT
47	2	4000221	NUT
48	1	4000186	HYDRAULIC RAM
49	1	4000757	NUT
50	32	4000758	WASHER
51	10	4000759	WASHER
52	5	4001537	WASHER
53	13	4000760	WASHER
54	2	4000610	WASHER
55	4	4000761	WASHER
56	4	4000357	WASHER
57	1	4000368	GREASE NIPPLE
58	2	4000224	GREASE NIPPLE
59	2	4000225	BEARING
60	2	4000226	ROLLER BEARING
61	2	4000023	CIRCLIP
62	1	4001426	CIRCLIP
63	2	4000024	CIRCLIP
64	1	4000187	HEAD CASING (1.3m)
65	2	4000267	OIL SEAL
66	1	4000234	OILSEAL
67	2	4000236	GUIDE FOR OIL SEAL
68	1	4000229	MOTOR
69	1	4000238	WASHER
70	1	4000751	NUT
71	1	4000739	ROLLER KIT - c/o items 13, 59 & 61
72	1	4001427	REINFORCEMENT
73	2	4001191	NUT
74	1	4001428	FRONT FLAP KIT
75	1	4001429	RUBBER FLAP
76	3	4000233	BELT
77	1	4000231	PULLEY
78	1	4000232	PULLEY
79	1	4000531	TAPERLOCK
80	1	4000227	TAPERLOCK
81	1	4001094	EXPANSION VESSEL
		4001297	SEAL KIT FOR HYDRAULIC RAM 4000186
		4000716	SEAL KIT FOR MOTOR 4000229





Flailheads - S/No. 1301213020400 ▶



ROTORS & FLAILS – Robocut S/No: ROBO021400400 ▶

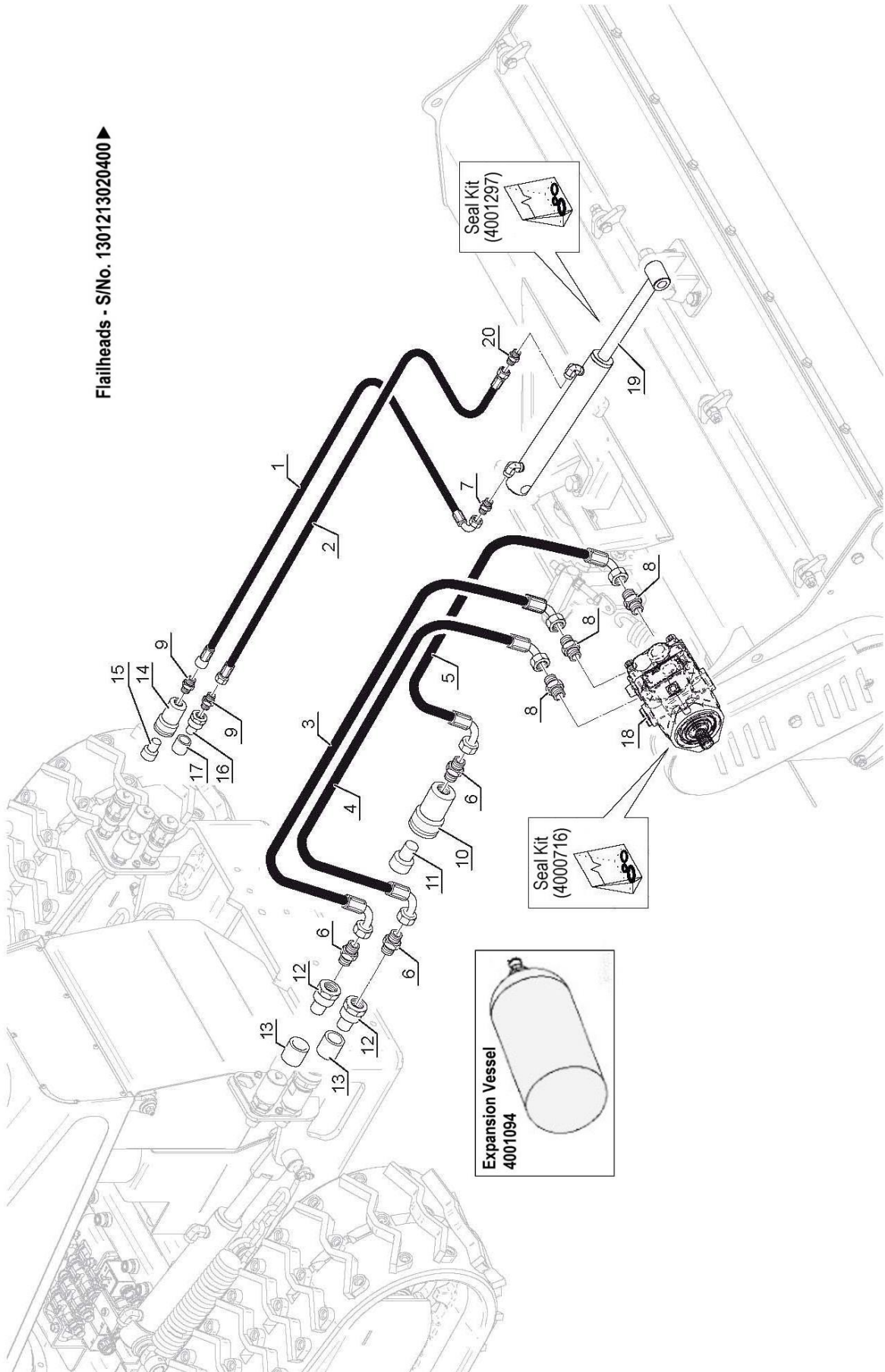
McCONNEL

ROBOCUT FLAILHEAD – Head S/No: 1301213020400 ▶

REF.	QTY.	PART No.	DESCRIPTION
			ROTORS & FLAILS ASSEMBLY
			Builds - Serial No. 1301213020400 ▶
1	1	4000190	1.3M ROTOR (Y-FLAILS TYPE)
2	1	4000244	1.3M ROTOR (HAMMER FLAIL TYPE)
3	1	4003147	1.3M ROTOR c/w Y-FLAILS
4	1	4000704	1.3M ROTOR c/w HAMMER FLAILS
5	1	4000763	Y-FLAILS KIT c/o
6	2	4000241	STEEL BUSHING
7	2	4000764	FLAIL (Y-FLAIL TYPE)
8	1	4000248	LOCKNUT
9	1	4000246	BOLT
10	1	4000256	HAMMER FLAIL KIT c/o
11	1	4001398	BOLT
12	1	4000355	LOCKNUT
13	1	4001091	HAMMER FLAIL



Flailheads - S/No. 1301213020400 ▶



REF.	QTY.	PART No.	DESCRIPTION
			HYDRAULIC ASSEMBLY
			Builds - Serial No. 1301213020400 ▶
1	1	4001389	HYDRAULIC HOSE
2	1	4001390	HYDRAULIC HOSE
3	1	4000765	HYDRAULIC HOSE
4	1	4000766	HYDRAULIC HOSE
5	1	4000767	HYDRAULIC HOSE
6	3	7315797	CONNECTOR
7	2	4001430	CONNECTOR
8	3	4000748	CONNECTOR
9	2	4000587	CONNECTOR
10*	1	4000133	CONNECTION
11	1	4000139	PLUG
12*	2	4000136	CONNECTION
13	2	4000137	PLUG
14	1	4000132	CONNECTION
15	1	4000140	PLUG
16	1	4000135	CONNECTION
17	1	4000668	PLUG
18	1	4000229	MOTOR
19	1	4000186	HYDRAULIC RAM
20	1	4001431	CONNECTOR
		4000716	SEAL KIT FOR MOTOR 4000229
		4001297	SEAL KIT FOR HYDRAULIC RAM 4000186
10*	1	57237	FLATE FACE COUPLING (M)
12*	1	57241	FLATE FACE COUPLING (M)





McConnel Limited, Temeside Works, Ludlow, Shropshire SY8 1JL. England.
Telephone: 01584 873131. Facsimile: 01584 876463. www.mcconnel.com