

---

# Spare parts list

Implement type:

**Grass collection unit**

**CLS-H 1050, CLS-H 1350, CLS-H 1650**

**CLS-G 1050, CLS-G 1350, CLS-G 1650**

Order number:

**131 7108, 131 7109, 131 7110**

**131 7130, 131 7131, 131 7132**

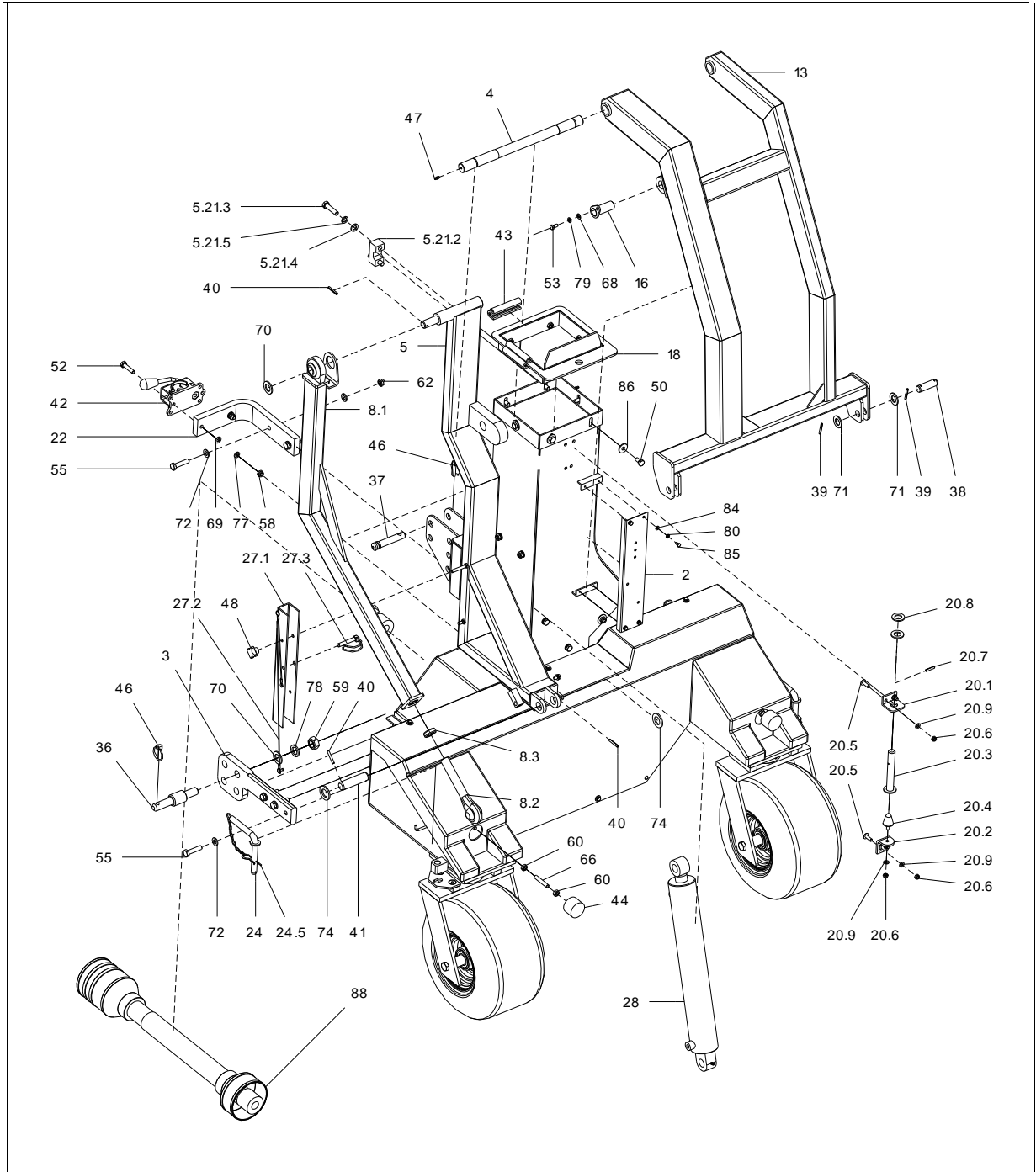
accessories:

**131 7172 wheel set T-510 220/50-6**

**131 7173 wheel set 11 x 7 -4**

**131 5711 (lighting)**

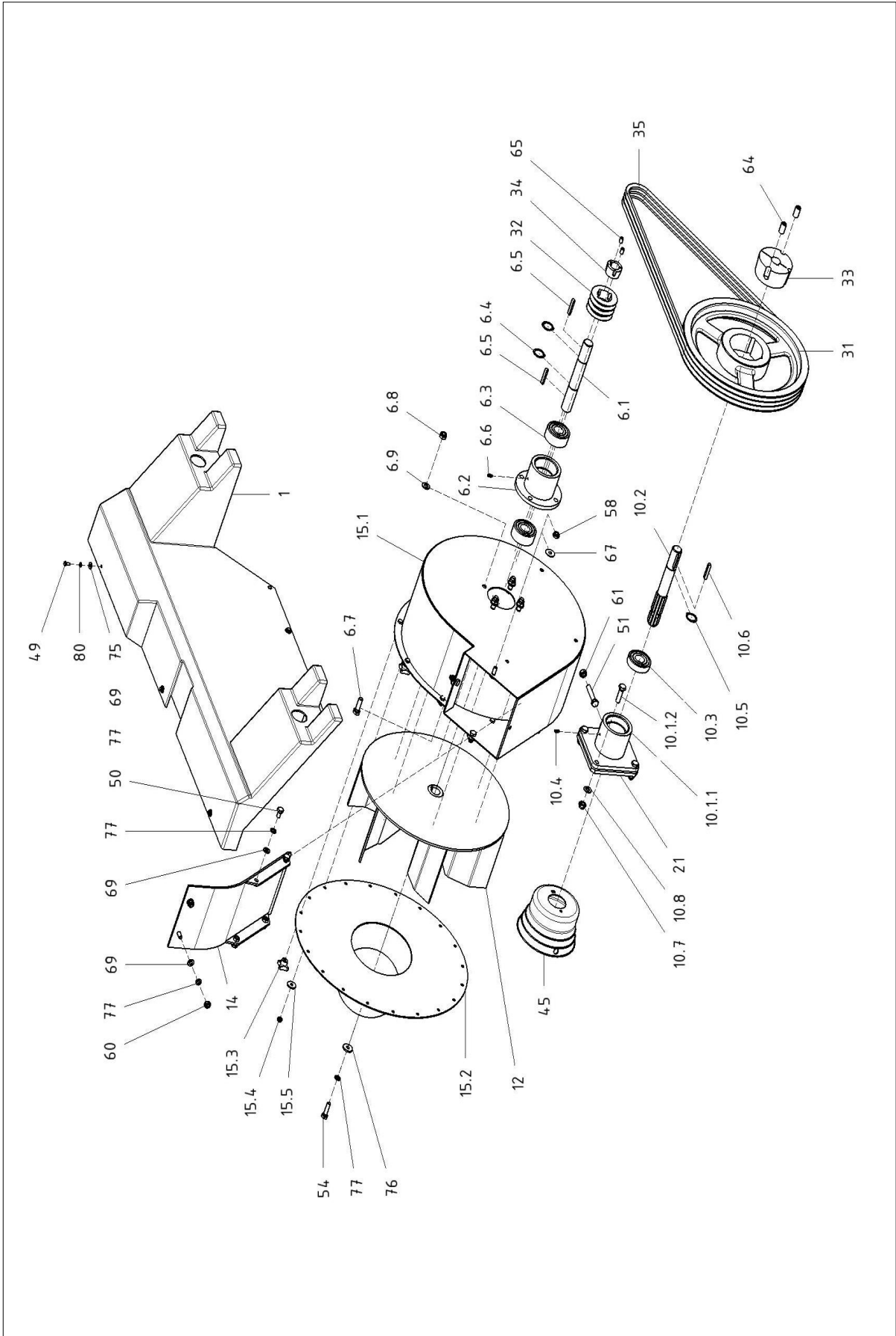
**Grass collection unit** Code: 131 7108/09/10/30/31/32  
**CLS-G/H 1050, -1350, -1650 (chassis)**



**Grass collection unit** Code: 131 7108/09/10/30/31/32  
**CLS-G/H 1050, -1350, -1650 (chassis)**

Item	Qty.	Order number	Designation	
2	1	06 002 157	Receptacle plate, hydraulics	
3	2	06 002 158	Tow arm	
4	1	06 002 159	Bolt	
5	1	06 002 061	Base frame	
5.21.2	1	06 002 162	Bearing shell, right tower lift arm	
5.21.3	2	PRDIN 931 155	Screw DIN 931 - M12x50 - 8.8	
5.21.4	2	PRDIN 125 540	Washer DIN 125 - 1 - A 13	
5.21.5	2	PRDIN 127 440	Spring-lock washer DIN 127 - A 12	
8.1	1	06 002 168	Support arm	
8.2	1	PRAV 5126 115	Bolt-on joint Ø19 - M24x3	
8.3	1	PRDIN 936 100	Nut ISO 4035 - M24 - 8	
13	1	06 002 177	Lift arm	
16	1	06 002 181	Bolt cylinder lift arm	
18	1	06 002 226	Slide piece	
20.1	1	06 002 227	Guide angle	
20.2	1	06 002 074	Buffer bracket	
20.3	1	06 002 160	Index pin	
20.4	1	07 000 890	Rubber parabolic buffer M8x30x36	
20.5	4	04 000 389	Round head screw ISO 7380 F - M8x25 - 8.8	
20.6	5	PRDIN 985 231	Stop nut DIN 985 - M8 - 8	
20.7	1	04 000 092	Spring dowel pin DIN EN 28752 - 6x30	
20.8	2	PRDIN 125 565	Washer DIN 125 - 1 - A 21	
20.9	5	PRDIN 125 520	Washer DIN 125 - 1 - A 8.4	
22	1	06 000 807	Support wheel holder JD 455/ X 4/595	
24	2	PRGA 5314 005	Stop bolt cpl.	
24.5	2	PRGA 000 223	Spring cotter pin 3 DIN 11024 E	
27.1	1	06 002 082	U-profile lowering safeguard	
27.2	1	06 001 654	Securing cable	
27.3	1	PRGA 000 378	Tube linch pin Ø10x60	
28a	1	01 000 560	Cylinder 35-70-400 lift	
28b	1	04 000 128	Turnbuckle	
36	2	Z428.124	Bolt kat. II	
37	1	PRAV 5126 112	Upper link bolt cat. 1	
38	2	04 000 444	Bolt DIN EN 22 340 - B B - 20x65	
39	4	PRDIN 1481 010	Spring dowel pin DIN EN 28752 - 5x40	
40	3	04 000 436	Spring dowel pin DIN EN 28752 - 6x40	
41	1	04 000 446	Bolt DIN EN 22 340 - B B - 25x95	
42	1	03 000 025	Clamp Ø 48 mm	
43	2	PRSCW 2000 166	Sealing rubber	
44	2	PRGA 5314 082	Rubber-metal buffer 50x35 mm	
46	3	PRAV 5126 108	Linch pin DIN 11023 - 11x40	
47	2	PRGA 000 163	Lubricating nipple DIN 71412 - A - M6	
48	1	PRGA 000 105	Star handle DIN 6335-KU-40-M8-K	
50	11	PRDIN 933 141	Screw DIN 933 - M10x20 - 8.8	
52	2	04 000 155	Screw DIN 931 - M10x45 - 8.8	
53	1	PRDIN 933 130	Screw DIN 933 - M8x16 - 8.8	
55	10	PRDIN 931 155	Screw DIN 931 - M12x50 - 8.8	

58	8	PRDIN 985 241	Stop nut DIN 985 - M10 - 8	
59	2	04 000 409	Nut DIN 934 - M22x1.5 - 8	
60	9	PRDIN 934 240	Nut DIN 934 - M10 - 8	
62	8	PRDIN 985 252	Stop nut DIN 985 - M12 - 8	
66	2	04 000 230	Threaded piece DIN 976 - M10x60 - 8.8	
68	2	PRDIN 125 520	Washer DIN 125 - 1 - A 8.4	
69	11	PRDIN 125 535	Washer DIN 125 - 1 - A 10.5	
70	3	PRDIN 125 577	Washer DIN 125 - 1 - A 23	
71	4	PRDIN 125 565	Washer DIN 125 - 1 - A 21	
72	20	PRDIN 125 540	Washer DIN 125 - 1 - A 13	
74	2	PRDIN 125 578	Washer DIN 125 - A 25	
77	12	PRDIN 127 430	Spring-lock washer DIN 127 - A 10	
78	2	04 000 290	Spring-lock washer DIN 127 - A 22	
79	2	PRDIN 127 420	Spring lock washer DIN 127 – A 8	
80	10	PRDIN 127 410	Spring lock washer DIN 127 – A 6	
84	4	PRDIN 125 510	Washer DIN 125 - 1 - A 6.4	
85	4	PRDIN 933 120	Screw DIN 933 - M6x10 - 8.8	
86	6	PRDIN 9021 001	Washer DIN 9021 - 10.5	
88	1	PRGA 000 348	Universal joint shaft	

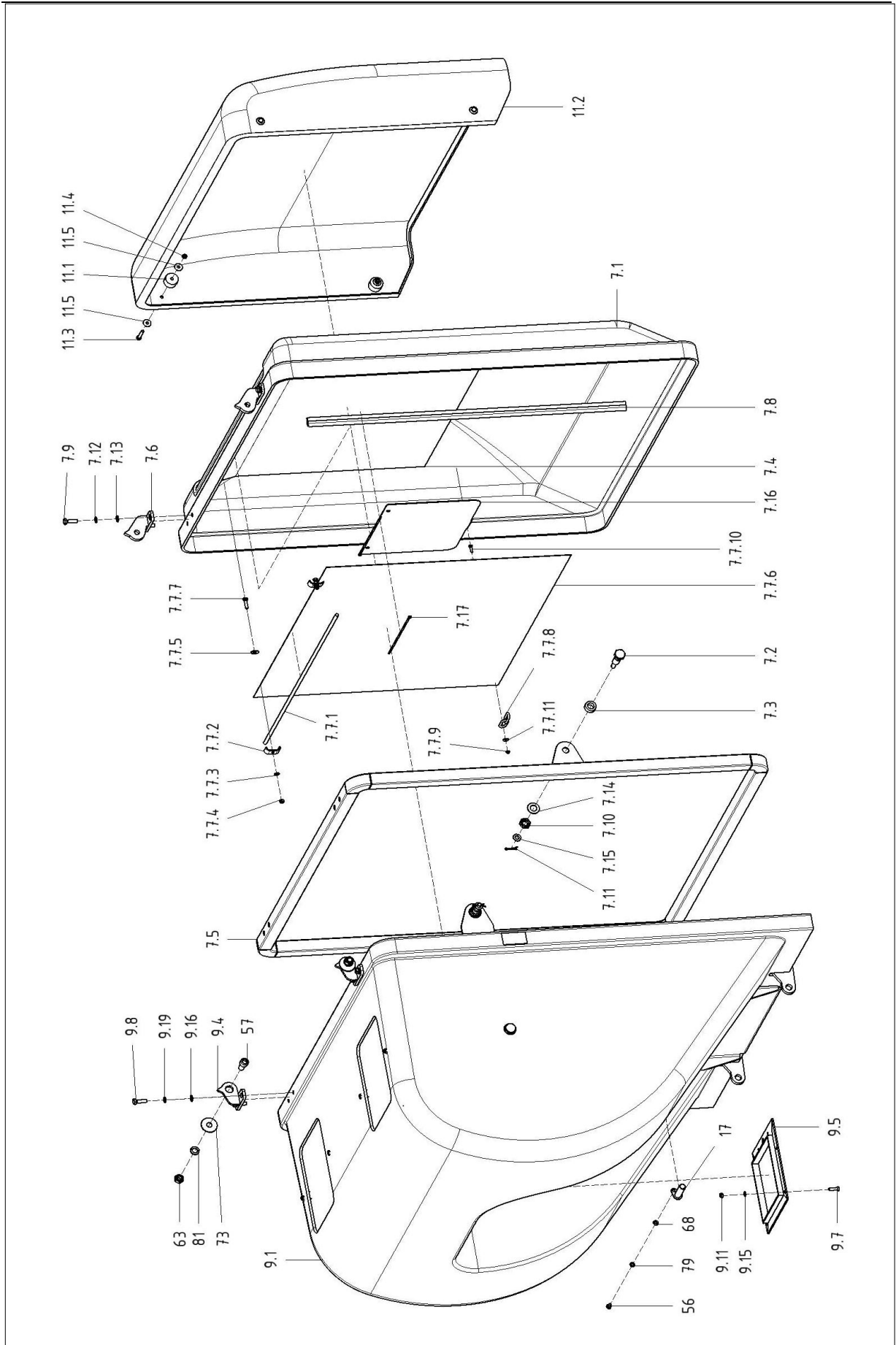


**Grass collection unit** Code: 131 7108/09/10/30/31/32  
**CLS-G/H 1050, -1350, -1650 (blower)**

Item	Qty.	Order number	Designation	
1	1	06 002 156	Cover, drive	
6.1	1	PRGA 5303 001	Fan drive shaft	
6.2	1	02 000 322	Bearing bracket on the turbine	
6.3	2	04 000 120	Angular contact ball bearing DIN 628 3306 2RS TVH	
6.4	2	PRDIN 471 155	Circlip DIN 471 - 30x1.5	
6.5	2	PRDIN 6885 300	Feather key DIN 6885 - 8x7x50	
6.6	1	PRGA 000 163	Lubricating nipple DIN 71412 - A - M6	
6.7	4	PRDIN 933 153	Screw DIN 933 - M12x40 - 8.8	
6.8	4	04 000 269	Stop nut DIN 985 - M12 - 10	
6.9	4	PRDIN 125 540	Washer DIN 125 - 1 - A 13	
10.1.1	1	02 000 111	Bearing bracket drive	
10.1.2	4	PRDIN 933 154	Screw DIN 933 - M12x45 - 8.8	
10.2	1	PRGA 5303 002	Drive shaft	
10.3	2	PRDIN 6306 00	Ball bearing DIN 625 - 6306.2RSR	
10.4	1	PRGA 000 163	Lubricating nipple DIN 71412 - A - M6	
10.5	1	PRDIN 471 155	Circlip DIN 471 - 30x1.5	
10.6	1	PRDIN 6885 300	Feather key DIN 6885 - 8x7x50	
10.7	4	04 000 269	Stop nut DIN 985 - M12 - 10	
10.8	4	PRDIN 125 540	Washer DIN 125 - 1 - A 13	
12	1	06 002 176	Blade	
14	1	06 002 178	Channel, inner part	
15.1	1	06 002 179	Blower housing	
15.2	1	PRGA 5303 012	Blower cover	
15.3	7	PRGA 000 105	Star handle DIN 6335-KU-40-M8-K	
15.4	3	PRDIN 985 231	Stop nut DIN 985 - M8 - 8	
15.5	10	PRDIN 440 009	Washer ISO 7094 - 8 - 100HV	
21	1	06 000 424	Counter plate	
31	1	02 000 040	Pulley 400-3 SPA taper	
32	1	PRGA 000 424	Pulley SPA 80 3-groove TP 1210	
33	1	PRGA 000 423	Taper bush 3020-30	
34	1	PRGA 000 160	Clamping bush 1210-30	
35	3	02 000 041	V-belt XPA 2120	
45	1	PRFS 000 803	Protective pot (blank)	
49	6	04 000 274	Screw DIN 933 - M6x14 - 8.8	
50	11	PRDIN 933 141	Screw DIN 933 - M10x20 - 8.8	
51	1	PRDIN 933 156	Screw DIN 933 - M12x65 - 8.8	
54	1	04 000 226	Screw DIN 933 - M10x40 - 10.9	
58	8	PRDIN 985 241	Stop nut DIN 985 - M10 - 8	
60	9	PRDIN 934 240	Nut DIN 934 - M10 - 8	
61	1	PRDIN 934 250	Nut DIN 934 - M12 - 8	
64	2	04 000 443	Set screw 5_8" UNC - 1.25	
65	2	PRGA 000 164	Set screw 3/8" x 5/8"	
67	3	04 000 406	Fender washer DIN 522 - 10.5x30x1.5	
69	11	PRDIN 125 535	Washer DIN 125 - 1 - A 10.5	
75	6	04 000 235	Washer DIN 9021 - 6.4	
76	1	PRDIN 125 530	Fender washer in accordance with DIN 522 - 10.5x30x4	
77	12	PRDIN 127 430	Spring-lock washer DIN 127 - A 10	

80	10	PRDIN 127 410	Spring lock washer DIN 127 – A 6	
----	----	---------------	----------------------------------	--

**Grass collection unit** Code: 131 7108/09/10/30/31/32  
**CLS-H 1050, -1350, -1650 (all containers)**

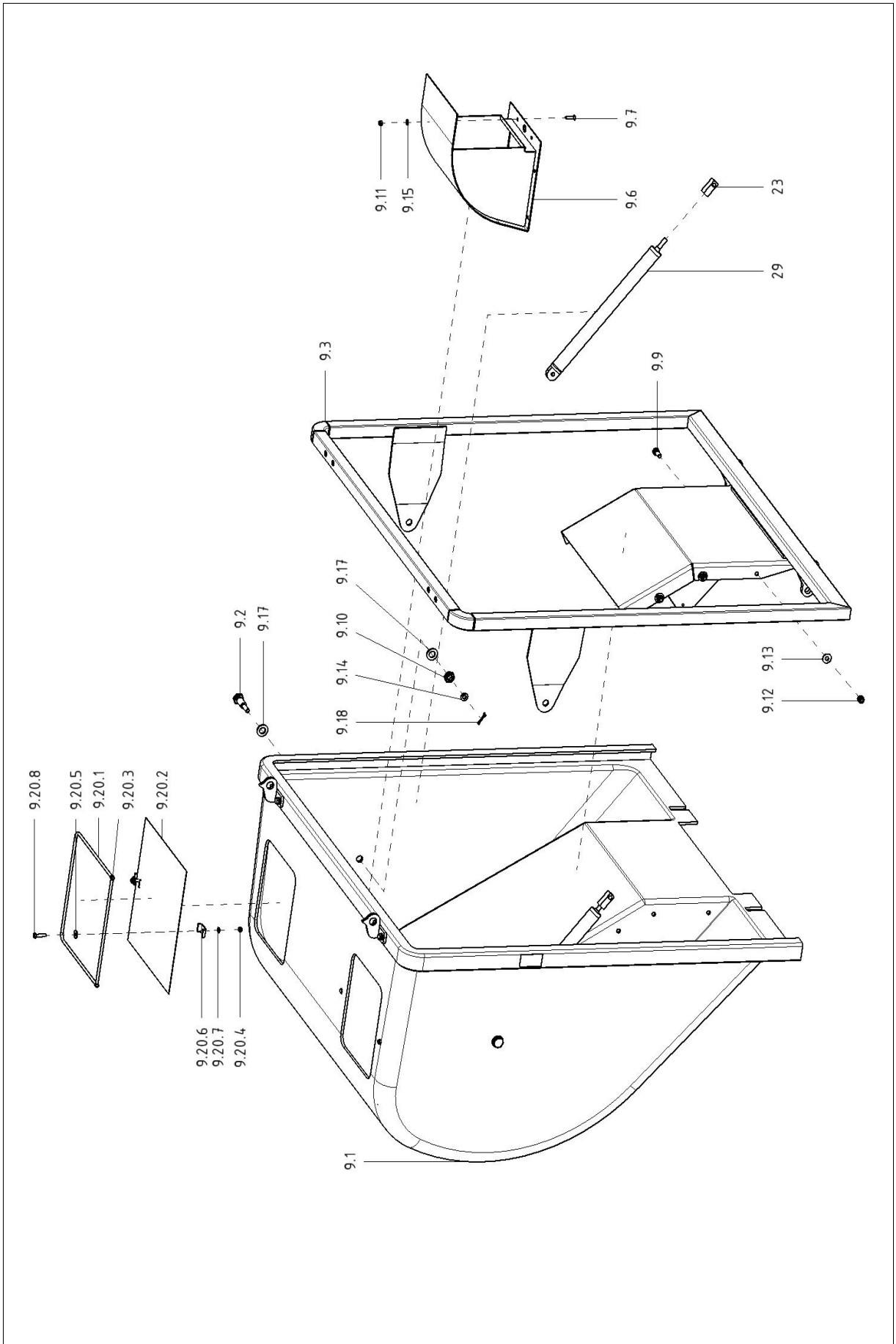




**Grass collection unit** Code: 131 7108/09/10/30/31/32  
**CLS-H 1050, -1350, -1650 (all containers)**

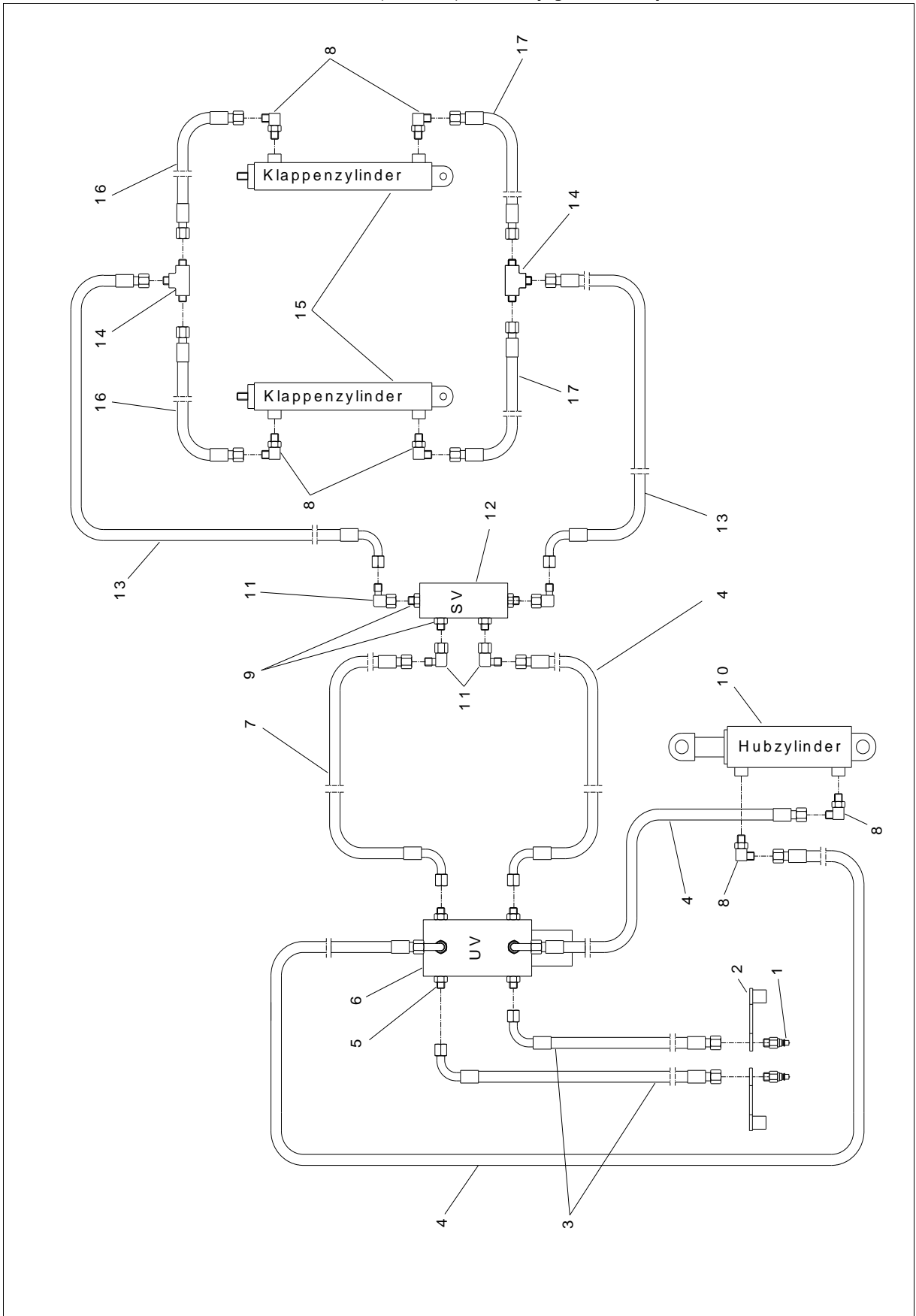
Item	Qty.	Order number	Designation	
7.1	1	07 000 255	Rear shell PE 1050L	131 7108
7.1	1	07 000 253	Rear shell PE 1350L	131 7109
7.1	1	07 000 257	Rear shell PE 1650L	131 7110
7.2	2	06 002 164	Bolt rear shell	
7.3	2	06 002 165	Bush, rear shell	
7.4	1	06 002 166	Perforated sheet metal rear shell	
7.5	1	06 002 109	Frame rear shell	
7.6	2	06 002 167	Hinge rear shell	
7.7.1	1	06 002 225	Rod	
7.7.2	2	PRGA 600K144	Clamp bracket	
7.7.3	2	PRDIN 125 520	Washer DIN 125 - 1 - A 8.4	
7.7.4	2	PRDIN 985 231	Stop nut DIN 985 - M8 - 8	
7.7.5	2	PRDIN 9021 003	Washer DIN 9021 - 8.4	
7.7.6	1	PRGA 000 148	Filter cloth	
7.7.7	2	PRDIN 933 143	Screw DIN 933 - M8x30 - 8.8	
7.7.8	1	06 000 416	Chain 980 mm	
7.7.9	1	PRDIN 985 221	Stop nut DIN 985 - M6 - 8	
7.7.10	1	PRDIN 933 122	Screw DIN 933 - M6x20 - 8.8	
7.7.11	2	04 000 235	Washer DIN 9021 - 6.4	
7.8	1	07 000 073	Sealing profile, straight	
7.9	4	PRDIN 933 144	Screw DIN 933 - M10x35 - 8.8	
7.10	2	PRDIN 936 100	Nut ISO 4035 - M20 - 8	
7.11	2	04 000 265	Cotter pin DIN 94 - 4x28	
7.12	4	PRDIN 127 430	Spring-lock washer DIN 127 - A 10	
7.13	4	PRDIN 125 535	Washer DIN 125 - 1 - A 10.5	
7.14	4	PRDIN 125 565	Washer DIN 125 - 1 - A 21	
7.15	2	PRDIN 125 540	Washer DIN 125 - 1 - A 13	
7.16	1	06 002 217	Impact plate	
7.17	2	07 000 197	Cable tie 4.8 X 290 black	
9.1	1	07 000 254	Front shell PE	
9.4	2	06 002 171	Hinge front shell	
9.5	1	06 002 172	Elevation frame	
9.8	4	PRDIN 933 144	Screw DIN 933 - M10x35 - 8.8	
9.11	6	PRDIN 985 231	Stop nut DIN 985 - M8 - 8	
9.15	6	PRDIN 125 520	Washer DIN 125 - 1 - A 8.4	
9.16	4	PRDIN 125 535	Washer DIN 125 - 1 - A 10.5	
9.19	4	PRDIN 127 430	Spring-lock washer DIN 127 - A 10	
11.1	4	06 002 174	Spacer bush, spoiler	
11.2	1	07 000 258	Spoiler	
11.3	4	PRDIN 931 134	Screw DIN 931 - M8x50 - 8.8	
11.4	4	PRDIN 985 231	Stop nut DIN 985 - M8 - 8	
11.5	8	04 000 273	Fender washer in acc. w. DIN 522 - 8.5x25x1.25	
17	1	06 002 182	Bolt, upper link - container	
56	1	04 000 241	Screw DIN 933 - M8x14 - 8.8	
57	2	04 000 447	Cylinder-head screw DIN 912 M16x35 - 8.9	
63	2	PRDIN 934 260	Nut DIN 934 - M16 - 8	
68	2	PRDIN 125 520	Washer DIN 125 - 1 - A 8.4	
73	2	04 000 445	Washer DIN 9021 Ø17	
79	2	PRDIN 127 420	Spring lock washer DIN 127 - A 8	
81	2	PRDIN 127 450	Spring-lock washer DIN 127 - A 16	

**Grass collection unit** Code: 131 7108/09/10/30/31/32  
**CLS-H 1050, -1350, -1650 (front container)**





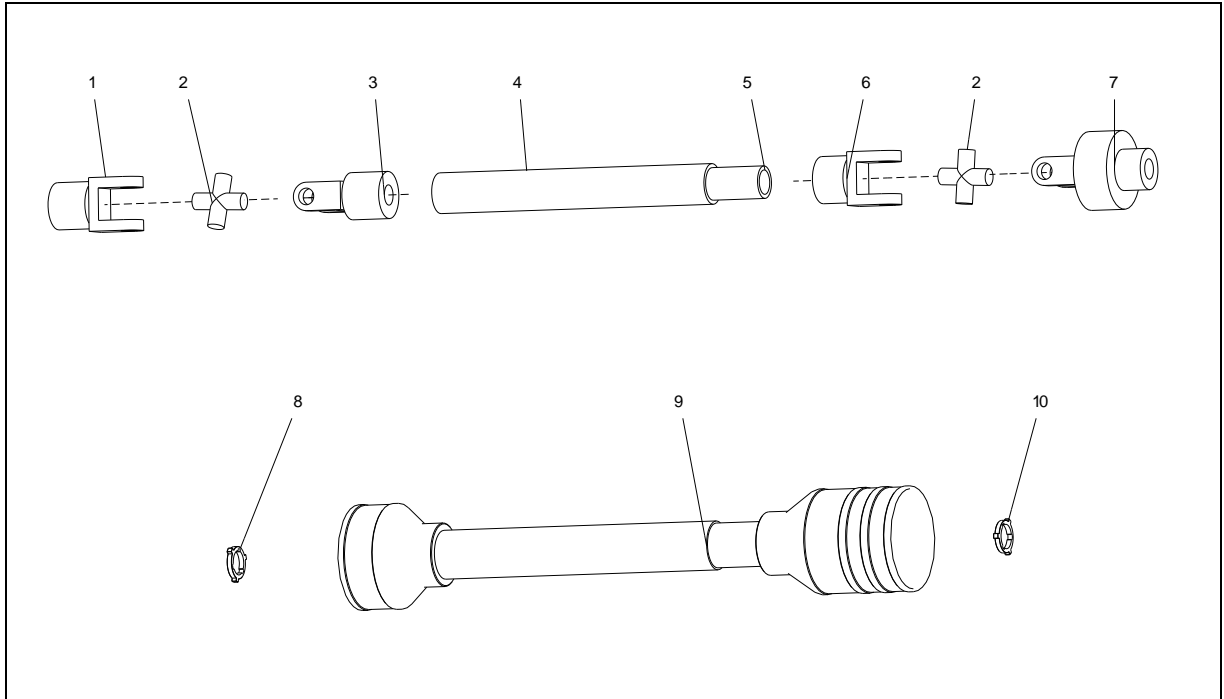
### Grass collection unit CLS-H 1050, -1350, -1650 (hydraulics)



**Grass collection unit** Code: 131 7108/09/10/30/31/32  
**CLS-H 1050, -1350, -1650 (hydraulics)**

<b>Item</b>	<b>Qty.</b>	<b>Order number</b>	<b>Designation</b>	
1a	2	01 000 071	Hydraulic plug BG 3 8L	
1b	4	01 000 071	Hydraulic plug BG 3 8L For variants with 4 hoses	
2a	2	01 000 070	Dust guard	
2b	4	01 000 070	Dust guard For variants with 4 hoses	
3	2	01 000 093	Hydraulic hose 1SN06-1460-DKL-DKL90	
4a	3	PRGA 5314 049	Hydraulic hose 2 SN06-600-DKL-DKL90	
4b	0	-	For low-dump variant	
4c	2 0	01 000 402 PRGA 5314 049	Hydraulic hose 1SN06-1560-DKL-DKL90 Hydraulic hose 2 SN06-600-DKL-DKL90 For variants with 4 hoses	
5a	6	01 000 023	GE threaded union XGE 3/8" - 8 L	
5b	0	-	For low-dump variant	
5c	0	-	For variants with 4 hoses	
6a	1	01 000 174	Electromagnetic changeover valve	
6b	0	-	For low-dump variant	
6c	0	-	For variants with 4 hoses	
7a	1	01 000 370	Hydraulic hose 2SN06-450-DKL-DKL 90°	
7b	0	-	For low-dump variant	
7c	0	-	For variants with 4 hoses	
8a	6	PRAV 5126 120	Adjustable elbow union XSWVE 8-RL	
8b	4	PRAV 5126 120	Adjustable elbow union XSWVE 8-RL For low-dump variant	
9	4	PRRS 000 133	Male adapter union XGE 8 - RL	
10a	1	01 000 560	Hydraulic cylinder 35/70/400	
10b	0	-	For low-dump variant	
11a	4	PRAV 000 213	Angle union adjustable XEVW 8L	
11b	2	PRAV 000 213	Angle union adjustable XEVW 8L For low-dump variant	
11c	2	PRAV 000 213	Angle union adjustable XEVW 8L For variants with 4 hoses	
12	1	01 000 132	Stop valve	
13	2	01 000 451	Hydraulic hose 1SN06-2800-DKL-DKL90°	
14	2	PRGA 000 409	T-union XT 8L	
15	2	01 000 372	Hydraulic cylinders	
16	2	01 000 565	Hydraulic hose 1SN06-1810-DKL-DKL	
17	2	PRGA 5314 046	Hydraulic hose 1SN06-1400-DKL-DKL	

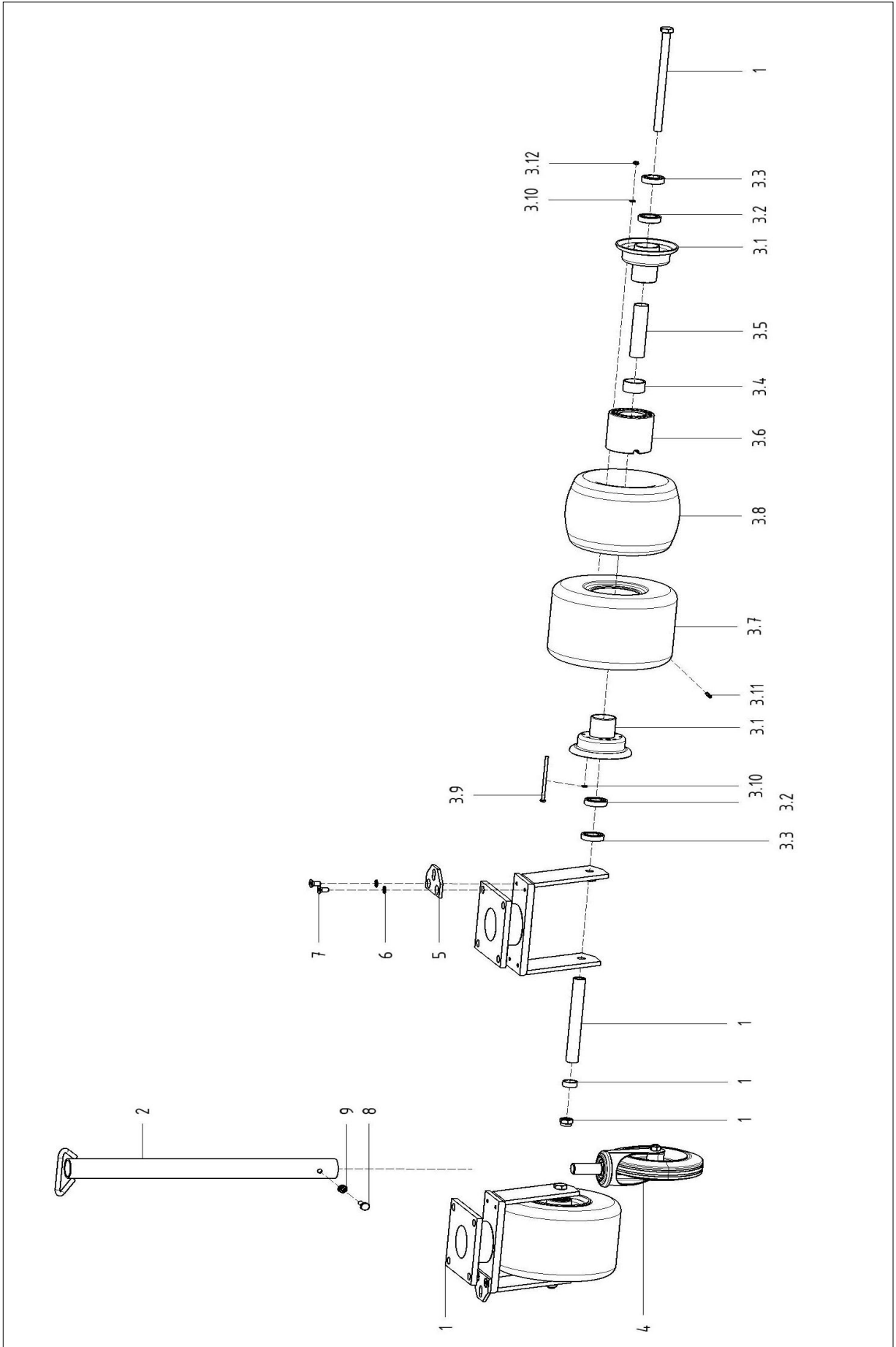
**Grass collection unit** Code: 131 7108/09/10/30/31/32  
**CLS-H 1050, -1350, -1650 (universal joint shaft)**



Item 1 - tractor side

Item 7 - machine side

Item	Qty.	Order number	Designation	
1	1	02 000 023	Outer fork, size 2, 1 3/8" - 6-pc	
2	2	PR 41 202	Cross fitting, size 2	
3	1	02 000 066	Inner fork for outer tube, size 2	
4		Not available	Slide profile, outer	
5		Not available	Slide profile, inner	
6	1	02 000 065	Inner fork for outer tube, size 2	
7	1	02 000 248	Freewheel RA 1/2	
8	1	02 000 173	Slide ring, large, size 2	
9	1	02 000 278	Accident prevention guard, size 2	
10	1	02 000 174	Slide ring, small, size 2	
1-10	1	PRGA 000 348	Universal joint shaft cpl., size 2	

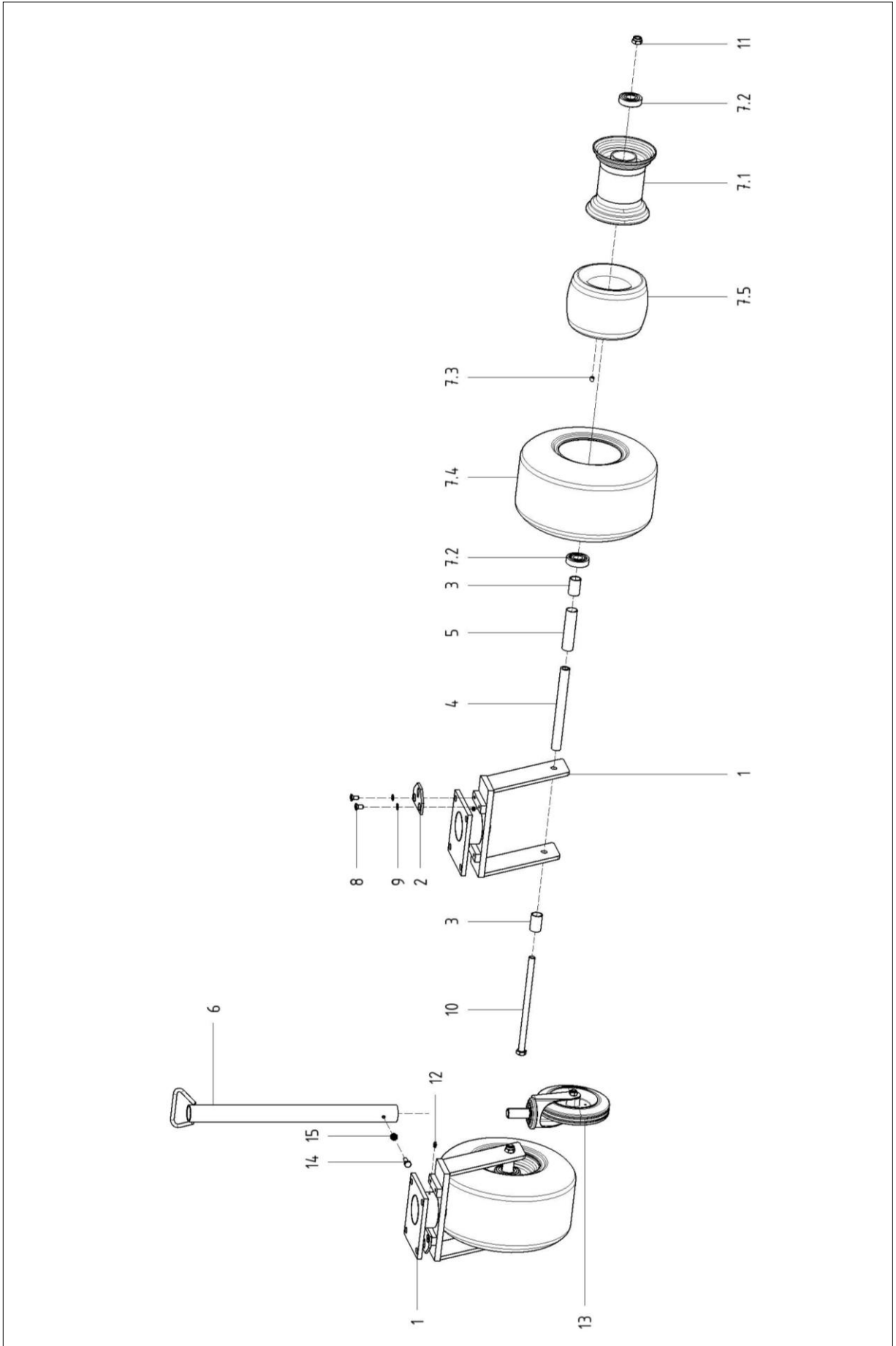






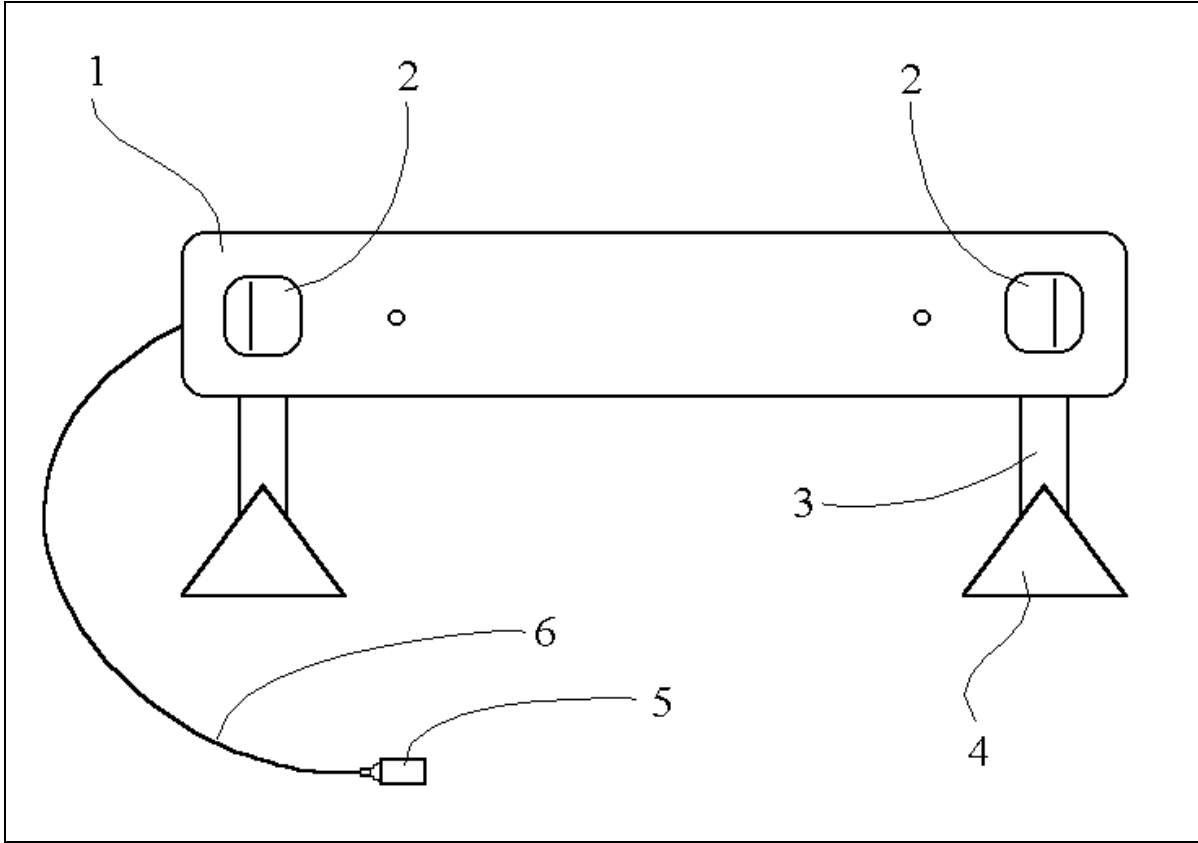
--	--	--	--	--

# Grass collection unit Wheel kit T 510

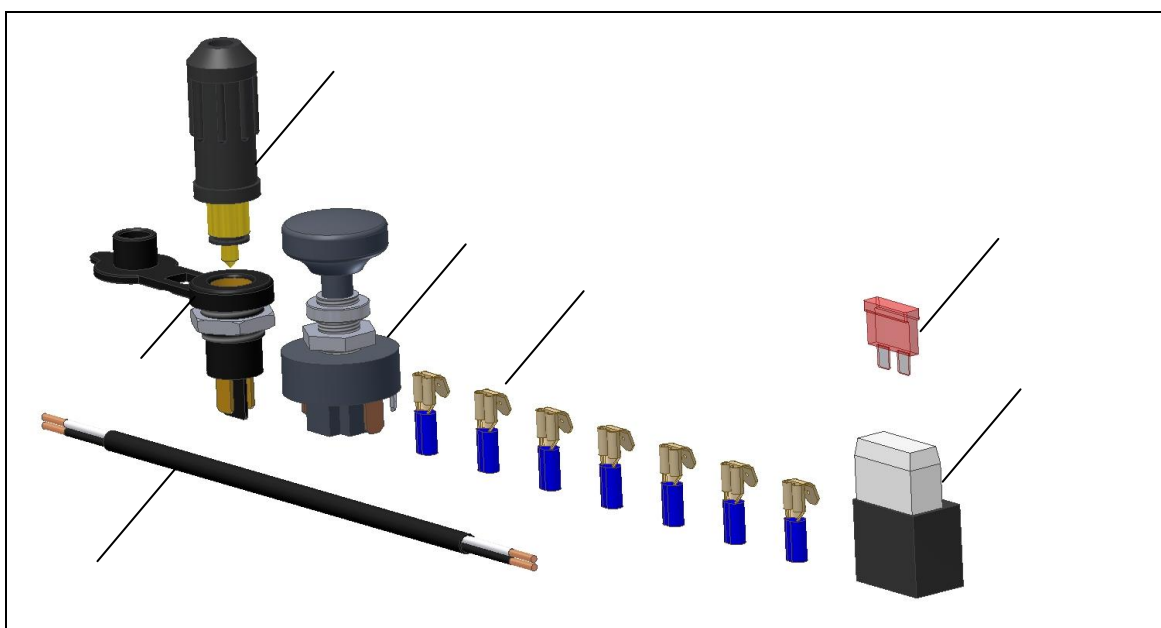




**Grass collection unit**  
**CLS-G/H 1050/1350/1650 (lighting)**



<b>Item</b>	<b>Qty.</b>	<b>Order number</b>	<b>Designation</b>	
1	1	00 000 153	Light carrier	
2a	2	09 000 158	Light fixture with license plate light	
2b	2	09 000 157	Light cover	
2c	4	PRSCW 000 116	Spherical-head bulb 12V-21W	
2d	2	PRSCW 000 117	Socket 12V-5W	
3	2	PRSCW 000 118	Pendulum 230 mm	
4	2	PRSCW 000 104	Triangular reflector	
5	1	PRSCW 000 111	7-port RJ45 plug	
6a	As needed	PRSCW 000 109	Cable 3-pin, per meter	
6b	As needed	PRSCW 000 119	Cable 6-pin, per meter	



Item	Qty.	Order number	Designation	
1	1	09 000 095	Connector	
2	1	09 000 019	Switch	
3	1	09 000 004	Power outlet	
4	5	09 000 096	Blade receptacle	
5	1	PRFK 043 011	Cable	
6	1	09 000 075	Fuse holder f. blade-type fuse	
7	1	09 000 031	Fuse 10 A	