

**1-2 metre
Supercut flailhead**

54HP

Operation & Spares manual

IMPORTANT

VERIFICATION OF WARRANTY REGISTRATION



DEALER WARRANTY INFORMATION & REGISTRATION VERIFICATION

It is imperative that the selling dealer registers this machine with McConnel Limited within 7 days of delivery to the end user – failure to do so may affect the validity of the machine warranty.

To register a machine go to the McConnel Limited web site at **www.mcconnel.com**, log on to '**Dealer Inside**' and select the '**Machine Registration button**' which can be found in the Service Section of the site. Confirm to the customer that the machine has been registered in the section below.

Should you experience any problems registering a machine in this manner please contact the McConnel Service Department on 01584 875848.

Registration Verification

Dealer Name:
Dealer Address:
Customer Name:
Date of Warranty Registration:/...../..... Dealer Signature:

NOTE TO CUSTOMER / OWNER

Please ensure that the above section above has been completed and signed by the selling dealer to verify that your machine has been registered with McConnel Limited.

EC DECLARATION OF CONFORMITY

*Conforming to EEC Machinery Directive 98/37/EC**

We,

McCONNEL LIMITED,

Temeside Works, Ludlow, Shropshire SY8 1JL.

Declare under our sole responsibility that:

The product (type) Hydraulic Arm Mounted Flailhead.....

.....

Product Code BD12, BD16, F110, F112, F115, F012, F016.....

Serial No. & Date Type

Manufactured by the above company/*

.....

(insert business name and full address if not stated above)*

Complies with the required provisions of the Machinery Directive 98/37/EC, * previously Directive 89/392/EEC as amended by Directives 91/368/EEC, 93/44/EEC and 93/68/EEC.

The machinery directive is supported by;

- BS EN ISO 12100:2003 Safety of Machinery. This standard is made up of two parts; Part 1 Terminology, methodology, Part 2 Technical Specifications.
- BS EN 1050 Safety of machinery - Principles of risk assessment.
- and other national standards associated with its design and construction as listed in the Technical File.

The Machinery Directive is fully implemented into UK law by means of the Supply of Machinery (Safety) Regulations 1992 (SI 1992/3073) as amended by The Supply of Machinery (Safety) (Amendment) Regulations 1994 (SI 1994/2063).

Signed John Frank.....

on behalf of McCONNEL LIMITED

Responsible Person

Status: Chief Design Engineer

Date: May 2007



For Safety and Performance ...

ALWAYS READ THIS BOOK FIRST

McCONEl LIMITED

**Temeside Works
Ludlow
Shropshire
England**

**Telephone: 01584 873131
www.mccommel.com**

NOISE STATEMENT

The equivalent daily personal noise exposure from this machine measured at the operators' ear is within the range 78 – 85 dB, these figures apply to a normal distribution of use where the noise fluctuates between zero and maximum. The figures assume that the machine is fitted to a tractor with a 'quiet' cab with the windows closed in a generally open environment. We recommend that the windows are kept closed. With the cab rear window open the equivalent daily personal noise exposure will increase to a figure within the range 82 – 88 dB. At equivalent daily noise exposure levels of between 85 – 90 dB ear protection is recommended – it should be used if any window is left open.

GENERAL INFORMATION

Always read this manual before fitting or operating the machine – whenever any doubt exists contact your dealer or the McConnel Service Department for advice and assistance.

Use only McConnel Genuine Service Parts on McConnel Equipment and Machines

DEFINITIONS – *The following definitions apply throughout this manual:*

WARNING

An operating procedure, technique etc., which –
can result in personal injury or loss of life if not observed carefully.

CAUTION

An operating procedure, technique etc., which –
can result in damage to either machine or equipment if not observed carefully.

NOTE

An operating procedure, technique etc., which –
is considered essential to emphasis.

LEFT AND RIGHT HAND

This term is applicable to the machine when attached to the tractor and is viewed
from the rear – this also applies to tractor references.

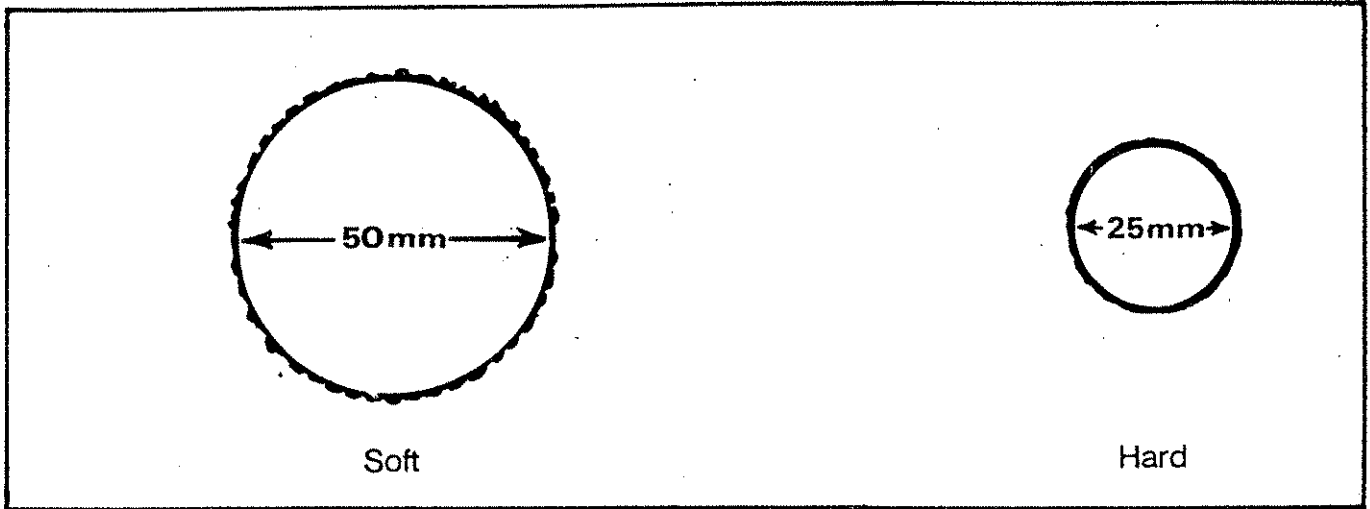
MACHINE & DEALER INFORMATION

Record the Serial Number of your machine on this page and always quote this number when ordering parts. Whenever information concerning the machine is requested remember also to state the make and model of tractor to which the machine is fitted.

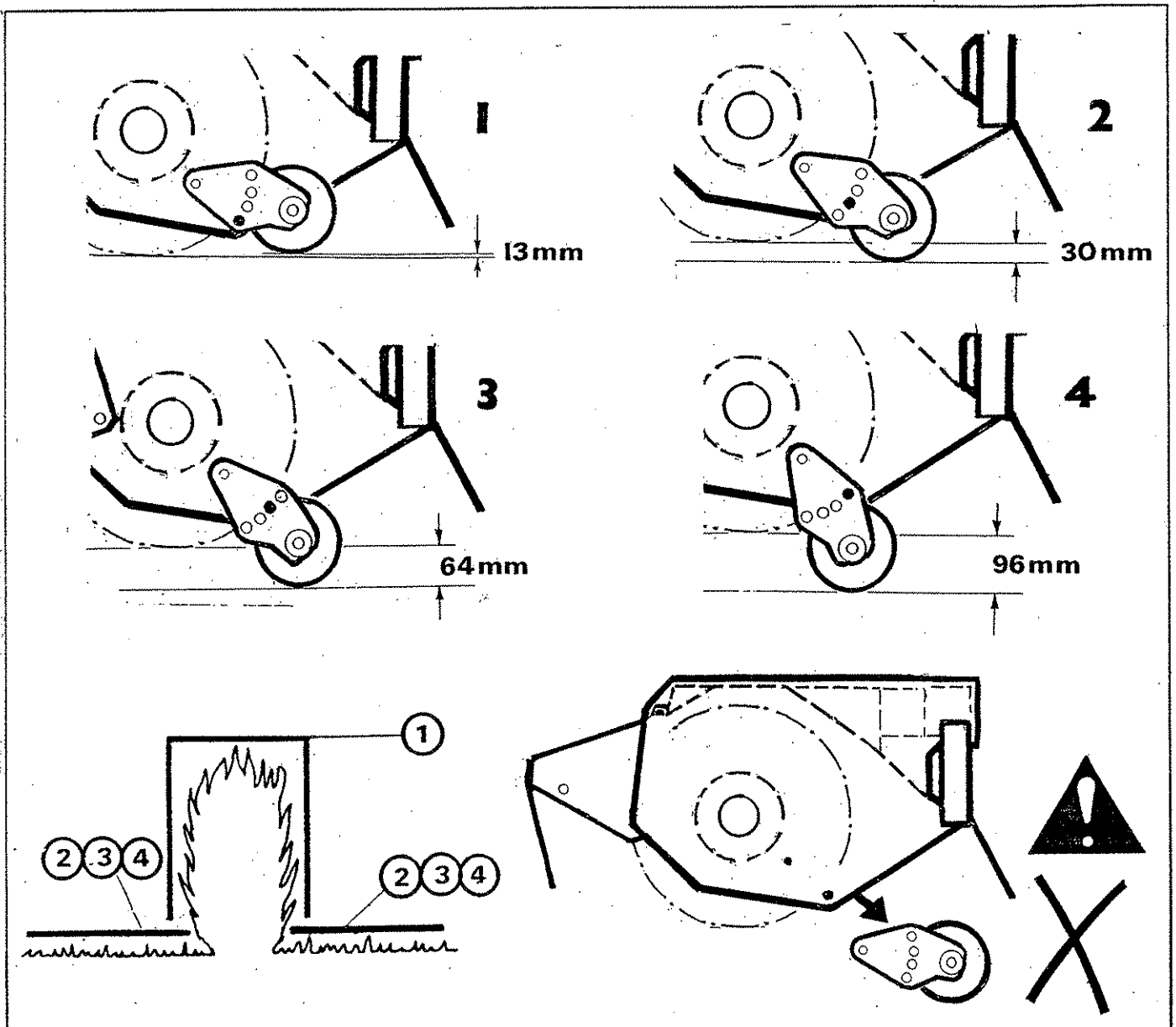
Machine Serial Number:	Installation Date:
Machine Model details:	
Dealer Name:	
Dealer Address:	
Dealer Telephone No:	
Dealer Email Address:	

OPERATION

MATERIAL THICKNESS CUTTING LIMITATIONS

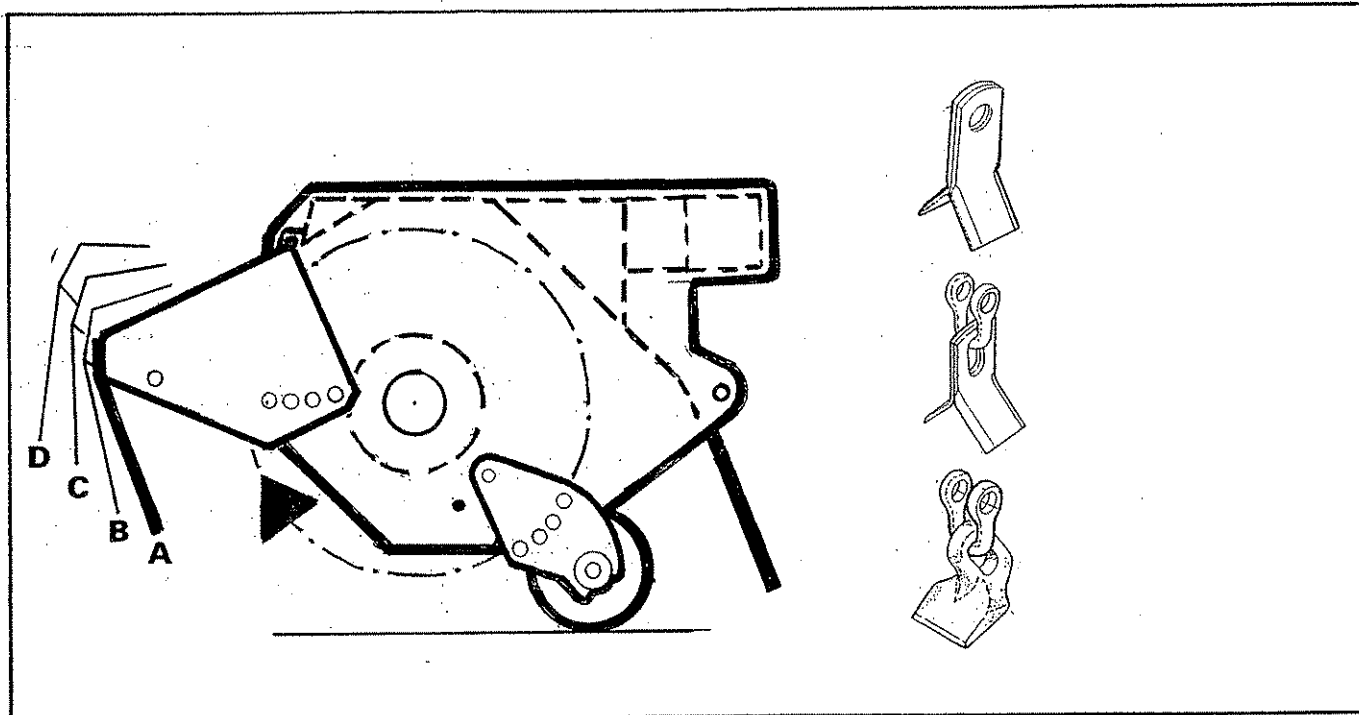


ROLLER POSITION



FLAILHEAD ARRANGEMENT

MOWING



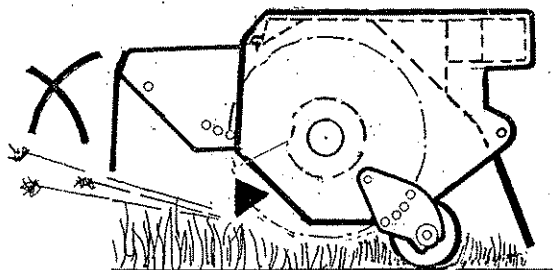
When mowing the rotor must always cut with an upwards rotation.

When mowing the roller must always be set below the level of the skid or the rotor if skids are not fitted i.e. in positions 2 - 4 .

The front hood has four adjustment positions for height. The lowest possible position which allows the material to be cut to enter the head should always be used.

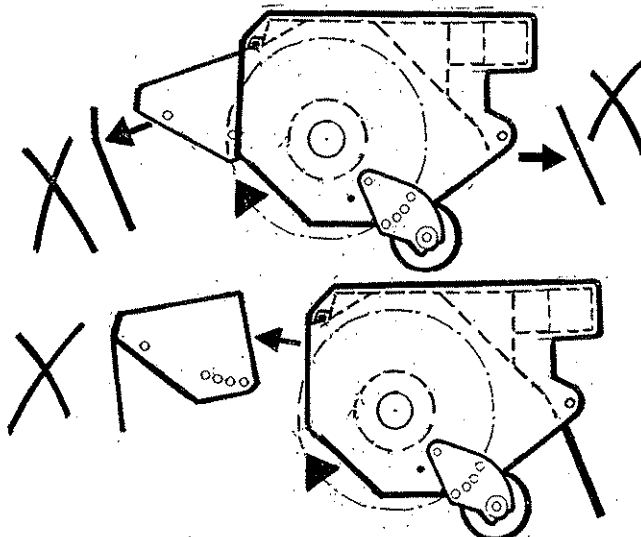
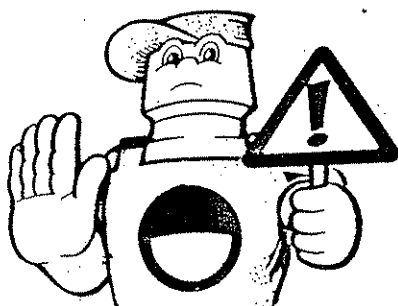
WARNING

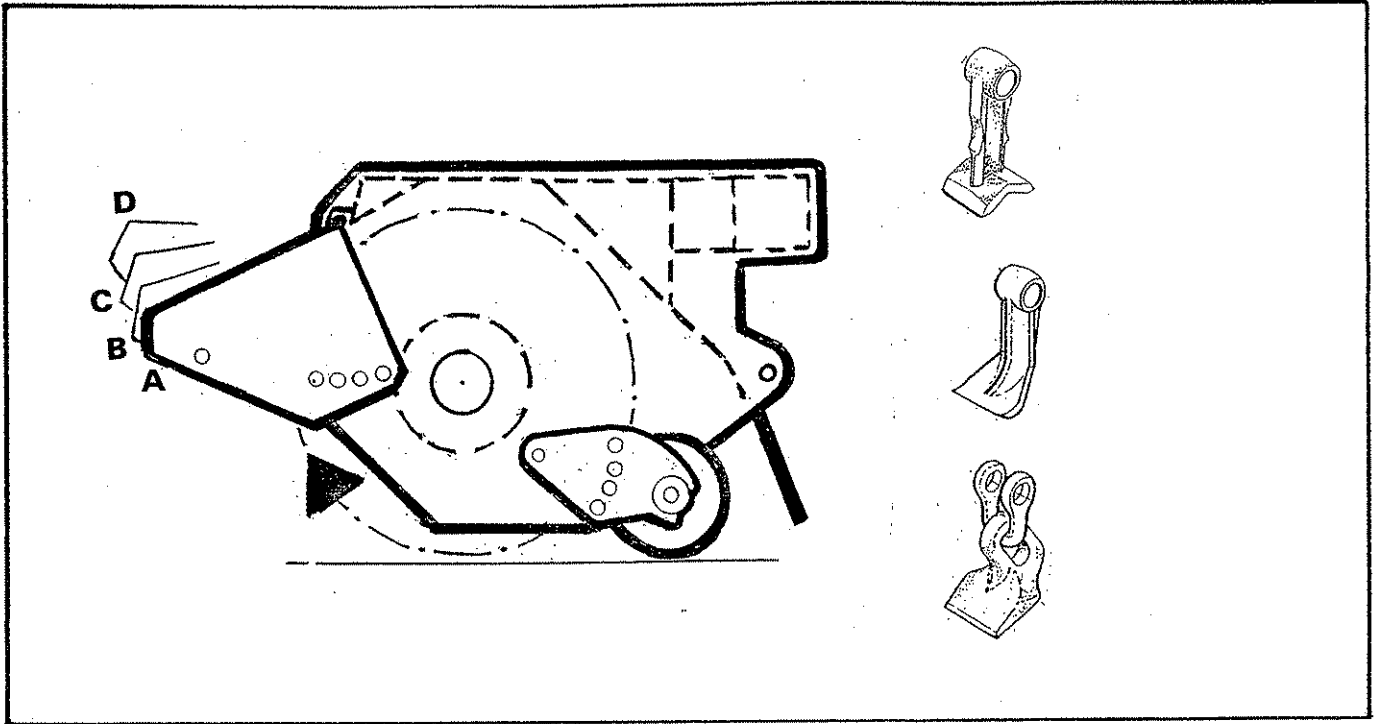
Raising the front hood increases the possibility of debris escaping. Never operate the machine with the front hood set any higher than is absolutely necessary.



WARNING

Do not remove any guarding under any circumstance during operation.





For the best finish the rotor should cut with an upwards rotation.

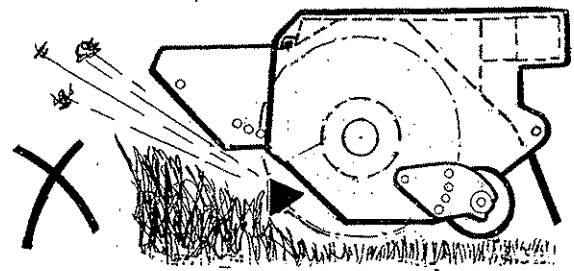
The roller should be set slightly above the rotor i.e. in position 1.

On universal heads the front rubber flaps and skids if fitted, may be removed to aid the entry of the material to be cut into the flail head.

The front hood has four adjustment positions for height. The lowest position which allows the material to be cut to enter the flail head should always be used.

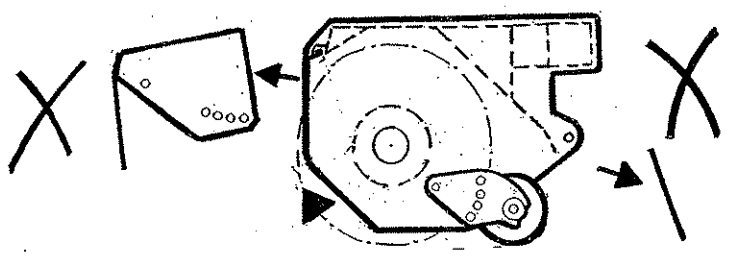
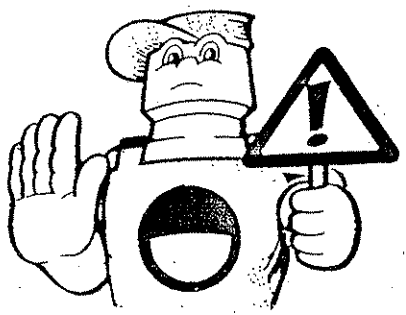
WARNING

Raising the front hood increases the possibility of debris escaping. Never operate the machine with the front hood set any higher than is absolutely necessary.



WARNING

Do not remove any guarding under any circumstance during operation.



MAINTENANCE

FLAILHEAD

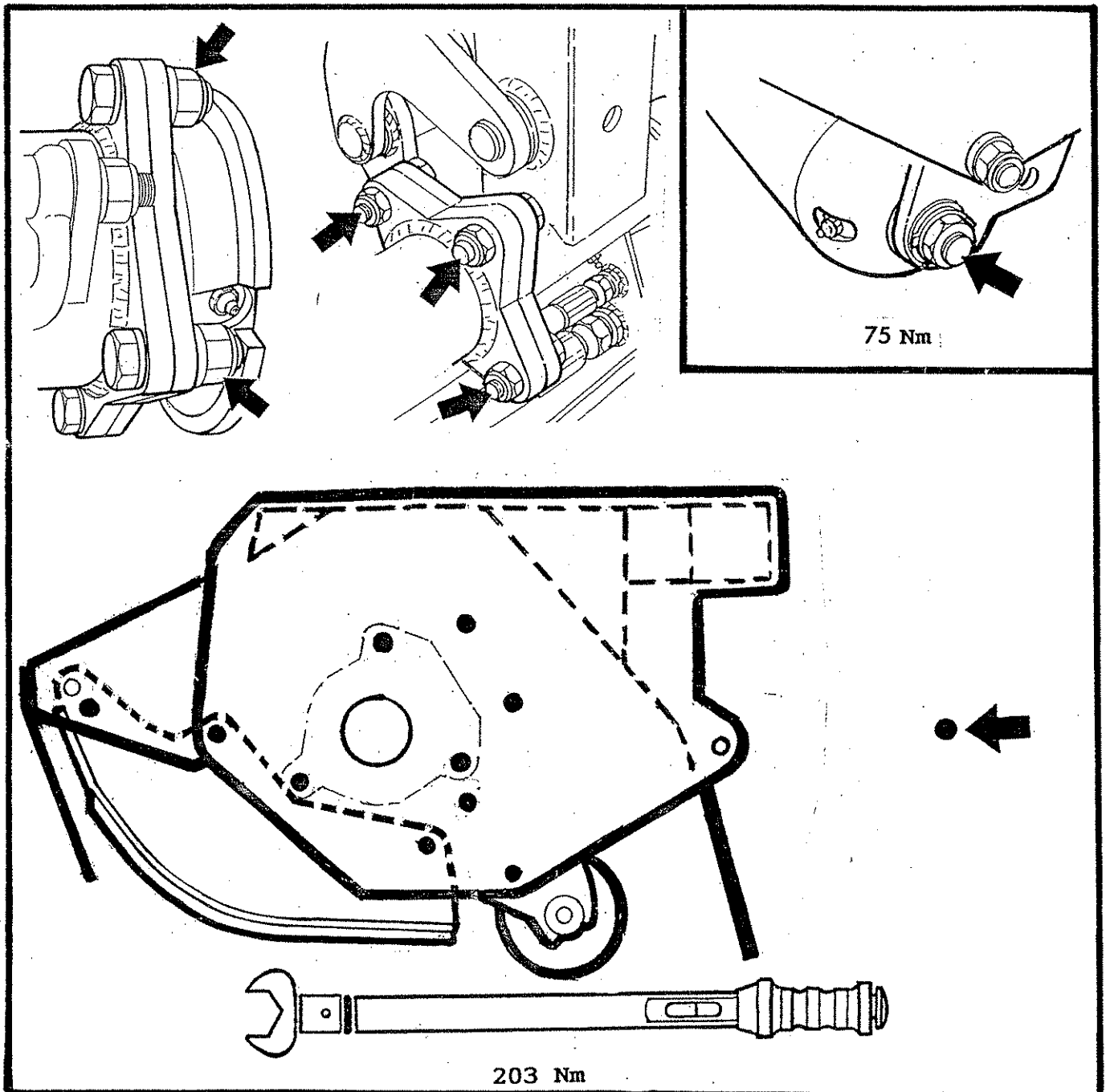
Frequently inspect the rotor assembly for damaged or missing flails.

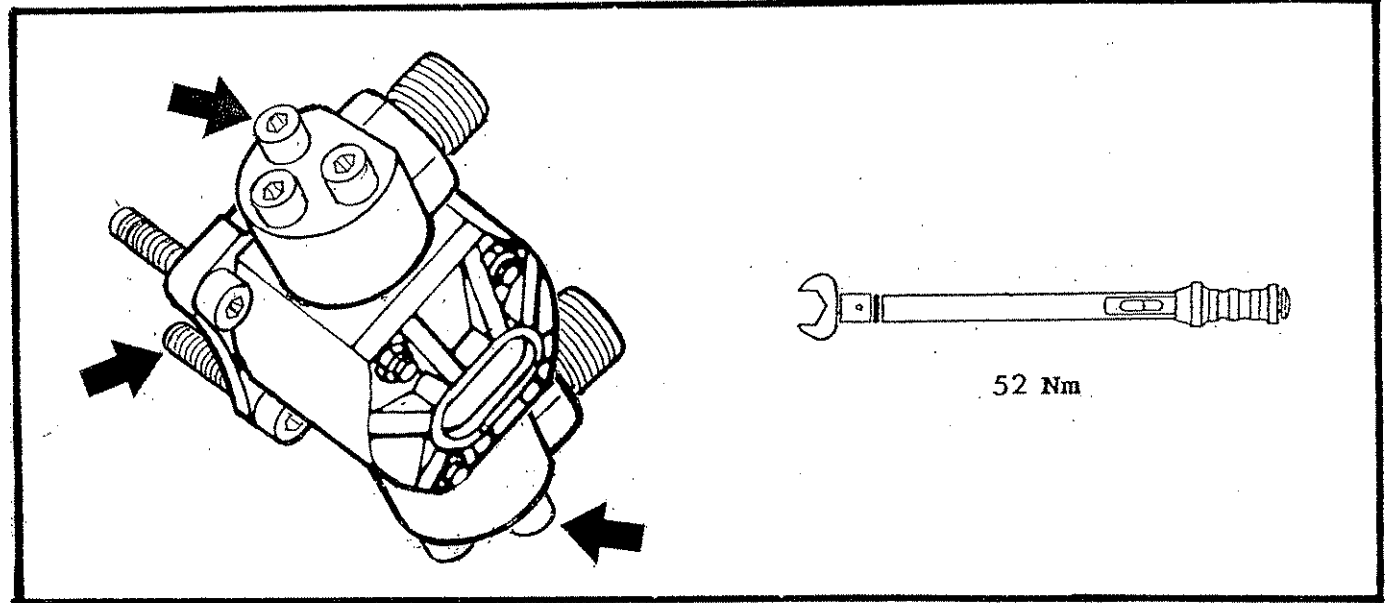
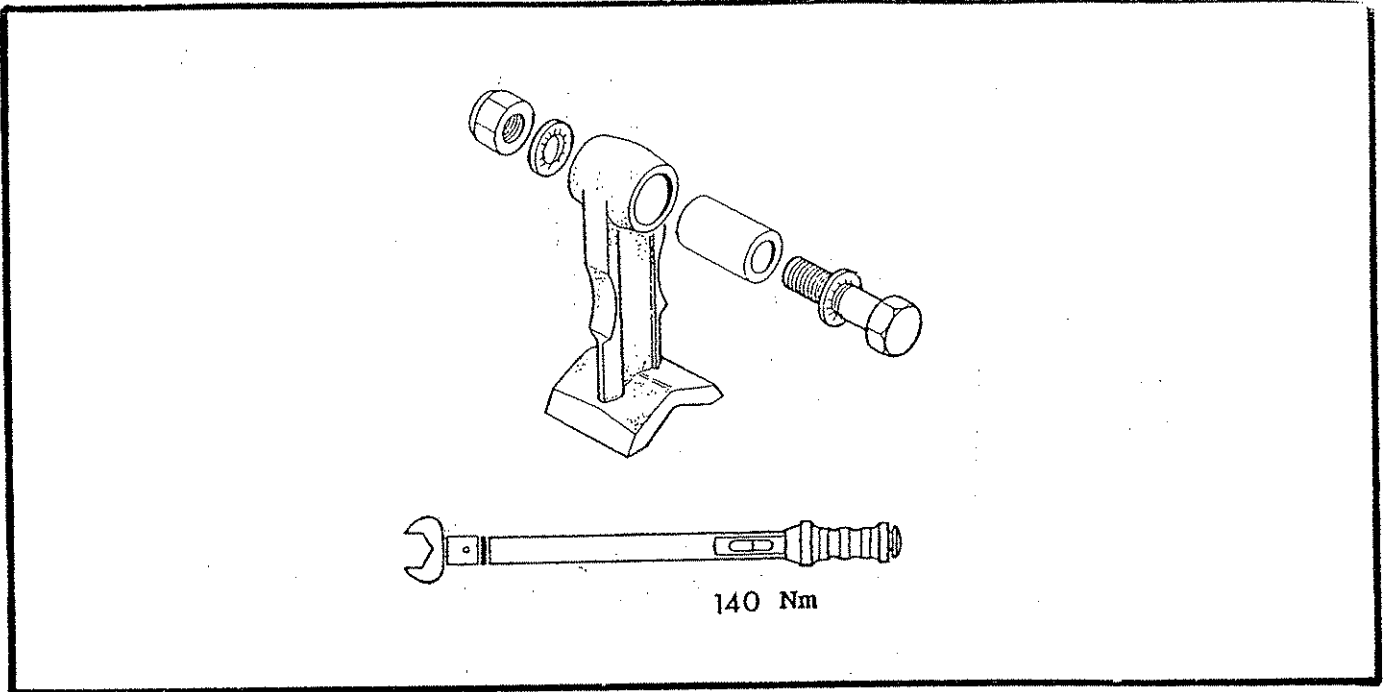
Do not attempt to run the rotor with flails missing. Im-balance will cause severe vibration and can rapidly damage the rotor shaft bearings. As an emergency measure if a flail is broken off or lost, remove another on the opposite side of the rotor to retain balance. Always replace flails in opposite pairs and never match up a new flail with a re-sharpened one which will of course be lighter.

Blunt flails absorb a lot of power and leave an untidy finish to the work. They should be sharpened on a grindstone or with a portable grinder periodically.

Wear protective gear when sharpening flails.

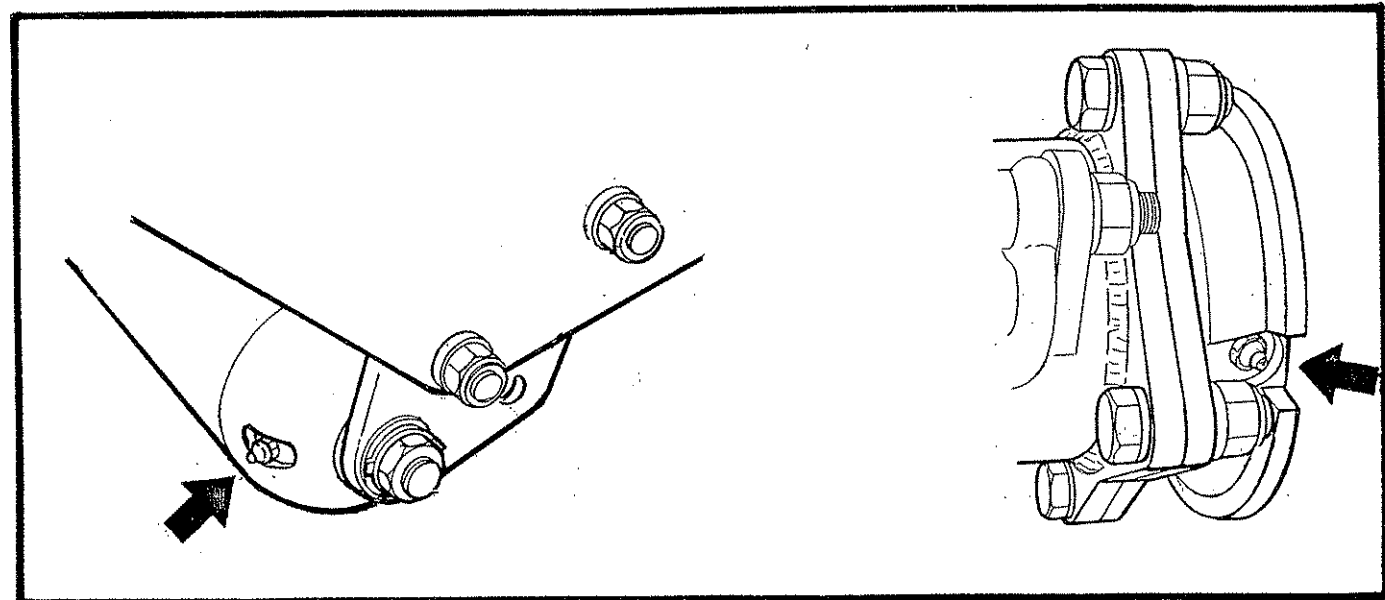
Check:- All bolts are tight and that the torque figures are correct for the specific locations shown below.





LUBRICATION

Grease daily all points shown.





For best performance ...

USE ONLY GENUINE McCONEL SERVICE PARTS

*To be assured of the latest design improvements purchase your
'Genuine Replacements' from the 'Original Equipment Manufacturer'*

McCONEL LIMITED

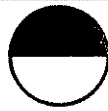
Through your local Dealer or Stockist

Always quote:

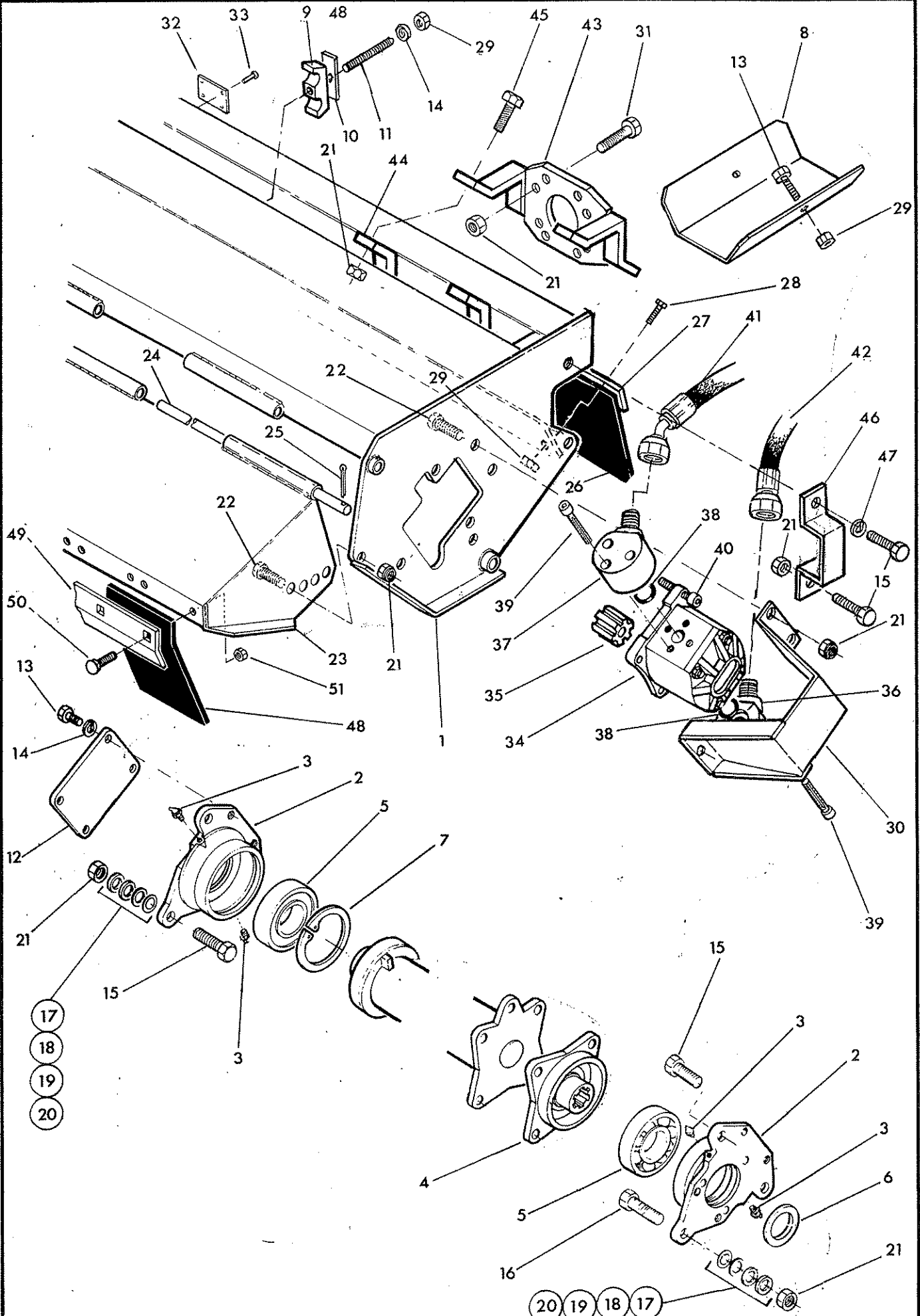
- ***Machine Type***
- ***Serial Number***
- ***Part Number***

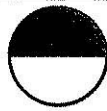
*Design improvements may alter some of the parts listed in this manual –
the latest part will always be supplied when it is interchangeable with an earlier one.*

CASING



McCONEL





Ref	Part No	Qty	Description
FLAIL HEAD CASING			
1	71 98 327	1	Flail casing
2	71 90 261	2	Bearing housing
3	09 01 124	4	Greaser
4	71 90 571	1	Rotor hub
5	06 00 018	2	Ball bearing
6	71 90 015	1	Motor locating washer
7	71 90 022	1	Internal circlip
8	71 98 333	1	Hose tray
9	71 93 063	1	Hose clamp
10	06.418.05	1	Clamp plate
11	04.282.09	1	Stud
12	71 90 444	1	Cover plate
13	93 13 045	6	Setscrew
14	91 00 205	5	Spring washer
15	03 11 126	7	Setscrew
16	03 11 146	1	Setscrew
17	81 21 044	as req	Shim
18	81 21 043	as req	Shim
19	71 91 099	as req	Shim
20	71 91 098	as req	Shim
21	01 41 006	19	Self locking nut
22	03 11 106	4	Setscrew
23	71 91 352	1	Front hood
24	71 91 116	1	Hood pivot pin
25	95 01 406	1	Split pin
26	71 91 361	1	Rear flap
27	71 91 362	1	Clamp strip
28	93 13 055	10	Setscrew
29	91 43 005	13	Self locking nut
30	71 91 283	1	Motor cover
31	02 11 246	4	Bolt
32	13 35 246	1	Serial No. plate
33	71 03 230	1	Pop rivet
34	83 01 282	1	Hydraulic motor 54HP
	83 01 283	1	Hydraulic motor 65HP
35	71 90 573	1	Drive coupling
36	71 98 070	1	Motor connection - L hand
37	71 98 072	1	Motor connection - R hand
38	86 00 121	1	'O' ring
39	93 00 014	6	Capscrew
40	93 00 144	4	Capscrew
41	85 01 267	1	Hose 1" BSP x 79" long
42	85 01 254	1	Hose 1" BSP x 75" long
43	71 98 330	1	Clamp
44	71 98 332	2	Clamp
45	02 11 206	4	Bolt
46	41740.01	1	Hose guide
47	01 00 206	1	Spring washer

OPTION

	72 90 375	1	Front flap kit
48	72 90 053	8	Front flap
49	71 90 304	1	Clamp
50	92 93 054	16	Bolt cup square
51	91 43 004	16	Self locking nut

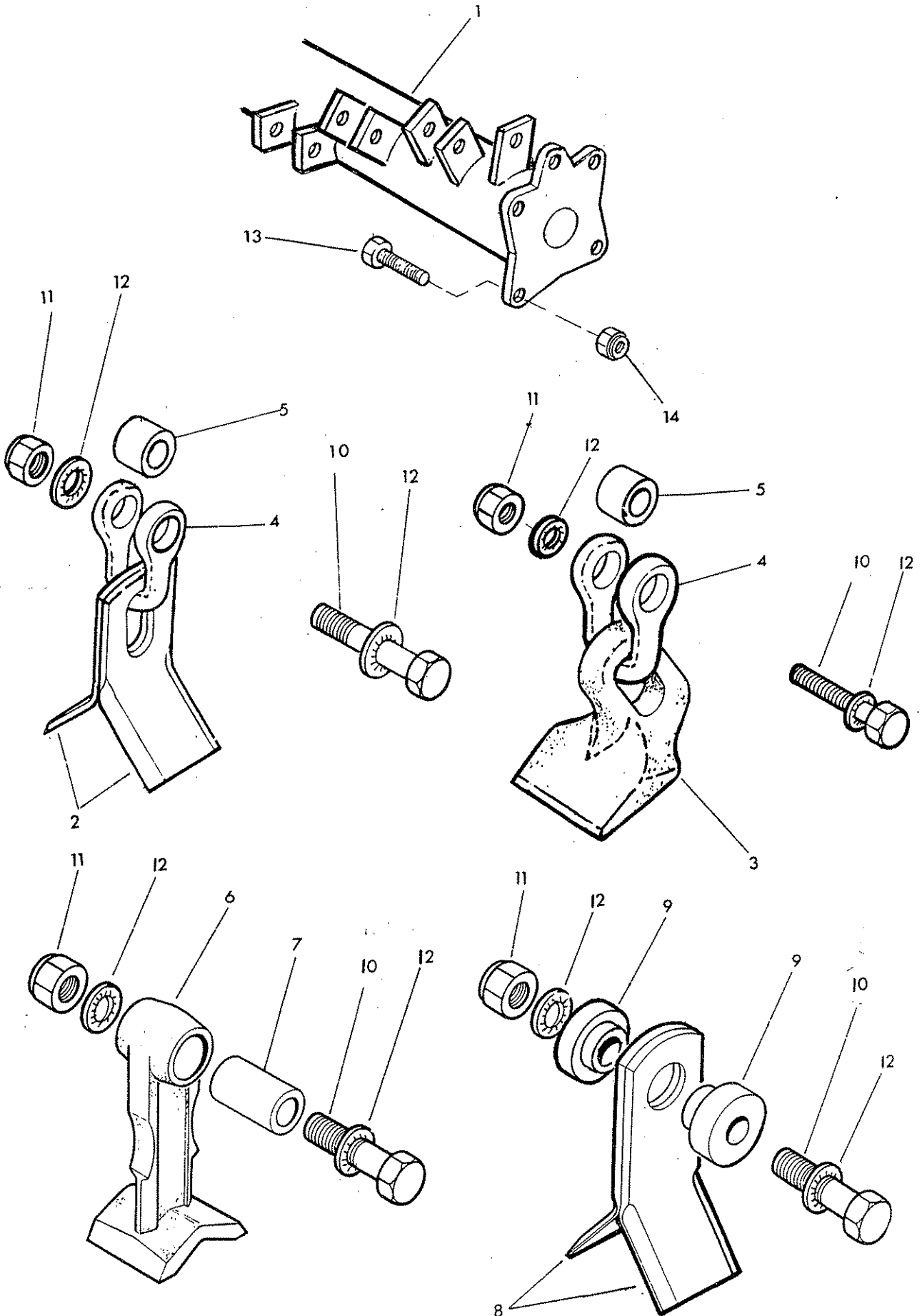
86 99 236

SEAL KIT for hydraulic motor

ROTOR & FLAIL OPTIONS



McCOMEL





Ref	Part No	Qty	Description
-----	---------	-----	-------------

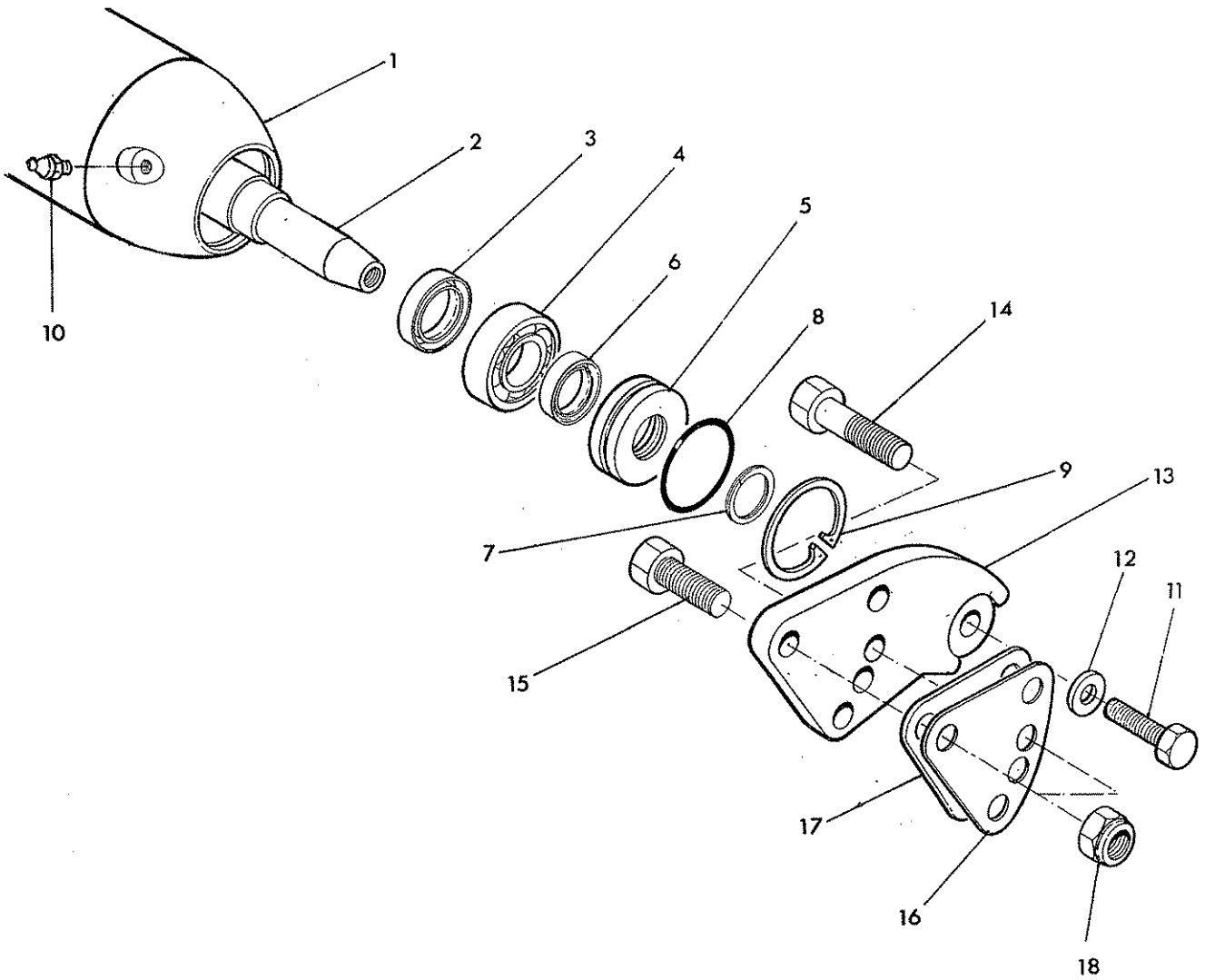
ROTOR AND FLAILS OPTIONS

1	42444-02	1	Rotor
2	71 90 166	48	Flail
3	71 90 462	24	Flail
4	71 91 138	24	Shackle
5	71 91 139	24	Spacer
6	71 91 320	24	Flail
7	71 91 054	24	Spacer
8	71 90 315	48	Flail
9	71 91 095	48	Bush
10	71 91 109	24	Bolt - special
11	01 41 005	24	Self locking nut
12	01 00 305	48	Internal shakeproof washer
13	03 11 146	4	Setscrew
14	01 41 006	4	Self locking nut

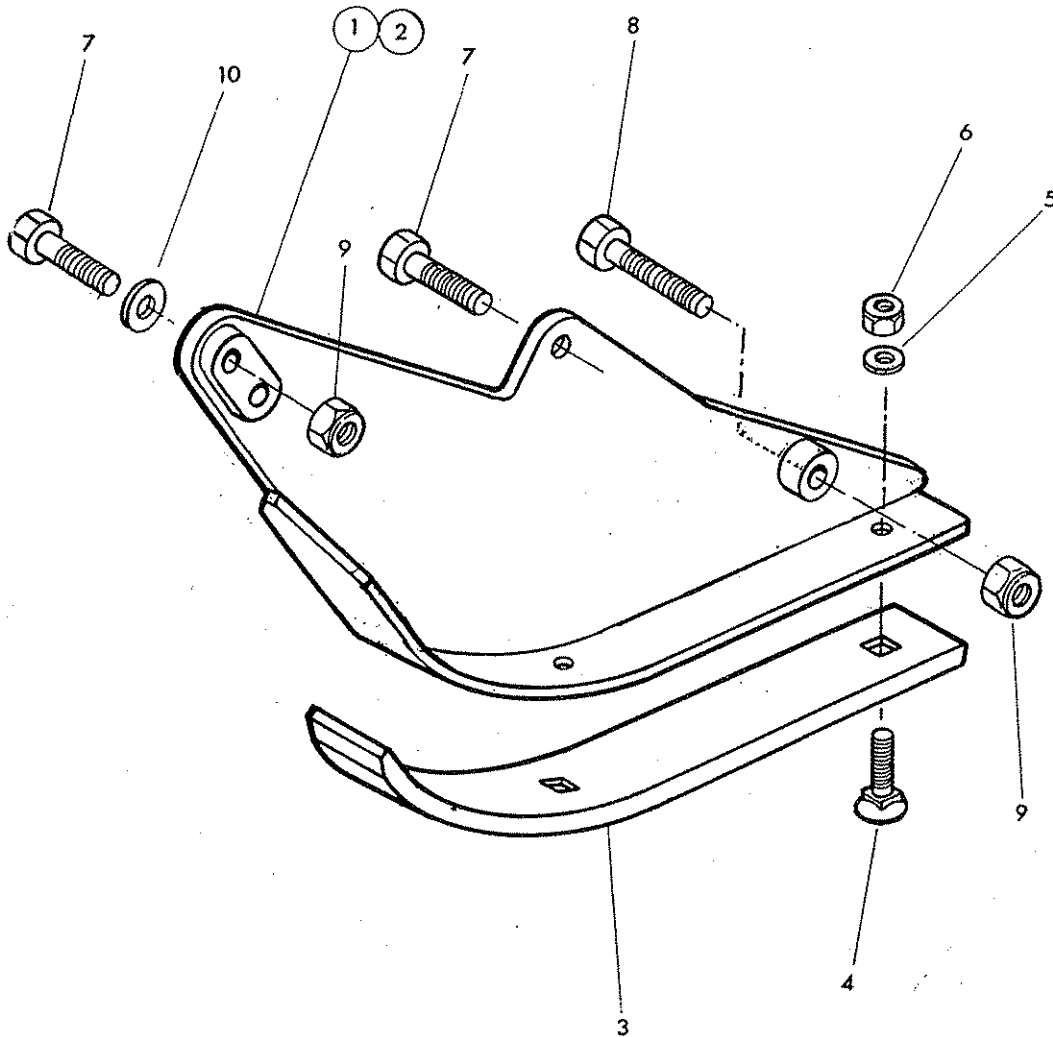
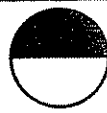
ROLLER



McCONEL



Ref	Part No	Qty	Description
	42241.23	1	ROLLER ASSEMBLY
1	42241.11	1	Roller
2	42242.05	1	Axle
3	86 29 215	2	Seal
4	06 00 088	2	Bearing
5	42573.01	2	Seal carrier
6	86 29 216	2	Seal
7	04.12.117	2	Spring ring
8	86 00 422	2	'O' ring
9	04 11 262	2	Internal circlip
10	09 01 121	2	Greaser
11	93 00 149	1	Special screw R hand
	93 00 150	1	Special screw L hand
12	42503.02	2	Special washer
13	42246.05	1	Roller bracket R hand
	42246.04	1	Roller bracker L hand
14	92 13 117	2	Bolt
15	93 13 097	2	Setscrew
16	42257.03	as req	Shim
17	42257.04	as req	Shim
18	91 43 007	4	Self locking nut



Ref. Part No.

Qty. Description

SKID KIT - Option

1	71 98 368	1	Skid - L.Hand
2	71 98 369	1	Skid - R.Hand - not illus.
3	72 90 391	2	Wear skid
4	60 12 034	6	Tine bolt
5	01 00 104	6	Plain washer
6	01 42 004	6	Self locking nut
7	03 11 106	4	Set screw
8	03 11 126	2	Set screw
9	01 41 006	4	Self locking nut
10	01 00 106	2	Plain washer

STICKERS



McCONNEL

ATTENTION

Recommended P.T.O.
speed 500 r.p.m.
Vitesse recommandee
500 T/min a la
prise de force.

DANGER
Rotating cutters under here.
DANGER
Rotor ne pas approcher.

KEEP BOLTS TIGHT
Check bolt tightness after 1 hour
4 hours, 10 hours and thereafter daily.
MAINTENEZ LES BOULONS SERRES
Et controlez serrage apres 1 heure
4 heures, 10 heures puis chaque jour.

BEWARE OF FLYING DEBRIS. KEEP PEOPLE AWAY.
ATTENTION AUX PROJECTIONS. SE TENIR A L'ECART.

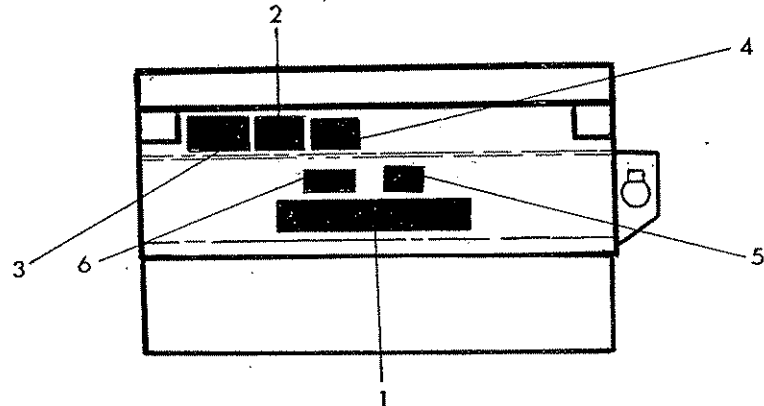
FLAIL PARTS INFORMATION

McConnel Flail Mowers use dynamically balanced and mated system components for Cutter Shafts (Rotors), Knives (Flails), Knife Hangers (Shackles), Bolts, Bushes, Rollers, Drivetrain Components, Bearings Belts and Belt Pulleys. McConnel parts are made and tested to meet close-tolerance specifications of balance, quality and consistency that assure long, trouble-free service. "Will-Fit" parts do not ordinarily meet McConnel Standards and could reduce Mower performance, void warranties, and present an increase in the safety hazard potential.

DON'T GAMBLE!
USE GENUINE McCONNEL SERVICE PARTS
See your McConnel dealer

②

⑤



54HP

⑥

McCONNEL

①

**GUARDING REQUIREMENTS
EQUIPMENTS DE SECURITE**

DANGER



KEEP AWAY FROM ROTATING BLADES

SERIOUS INJURY OR DEATH CAN RESULT FROM THROWN OBJECTS OR BLADE CONTACT.
* STOP MOWING IF PERSONS ARE NOT CLEAR OF THROWN OBJECTS
* DO NOT STAND ON OR NEAR MACHINE WHEN IN OPERATION
* DO NOT OPERATE WITH DEFLECTORS OR GUARDS REMOVED

④

GROUND CUTTING COUPE DE SOL	HEDGE CUTTING TAILLE DE HAIES	HEDGE CUTTING TAILLE DE HAIES
Always cut upwards. Roller set below flails. Skids recommended. Toujours couper en aspiration. Rouleau regle sous les flails. Patins recommandes.	With flails cutting upwards. Roller set above flails. Les flails travaillant en aspiration. Rouleau regle au dessus des flails.	With flails cutting downwards. Roller set above flails. Les flails travaillant en attaque. Rouleau regle au dessus des flails.

③

Ref Part No Qty Description

Ref	Part No	Qty	Description
1	12 90 255	1	McConnel
2	12 90 377	1	Flail head instructions
3	12 90 341	1	Flail head guarding
4	0075 6485	1	Rotating blade warning
5	12 90 392	1	Use McConnel spares
6	12 90 508	1	54hp
	12 90 491	1	65hp

STICKERS



McConnel Limited, Temeside Works, Ludlow, Shropshire SY8 1JL. England.
Telephone: 01584 873131. Facsimile: 01584 876463. www.mcconnel.com