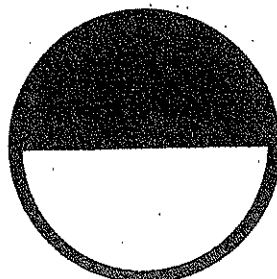
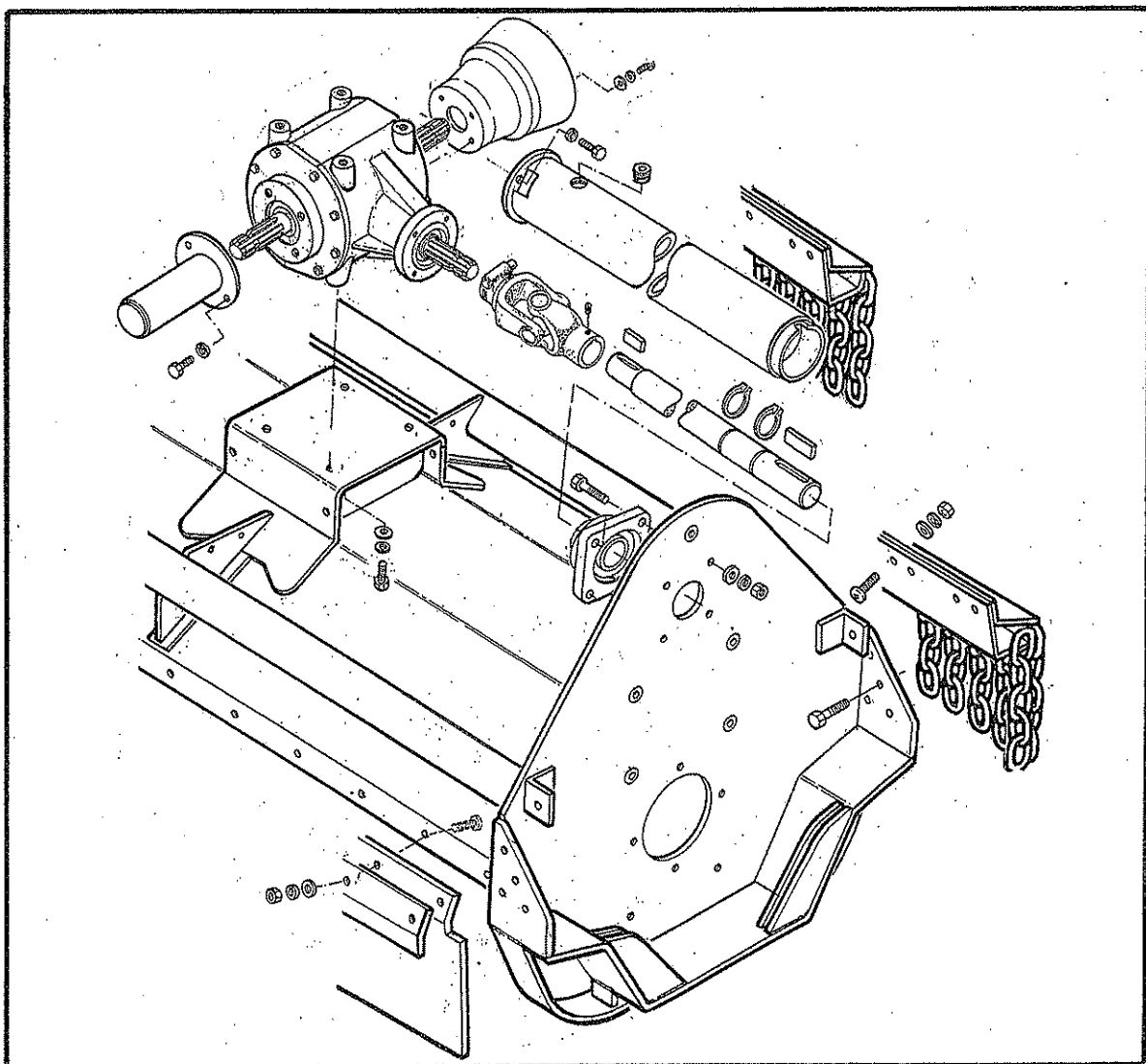


Merlin

HD 250 & 275

Spare parts





For best performance ...

USE ONLY GENUINE McCONNEL SERVICE PARTS

*To be assured of the latest design improvements purchase your
'Genuine Replacements' from the 'Original Equipment Manufacturer'*

McCONNEL LIMITED

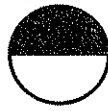
Through your local Dealer or Stockist

Always quote:

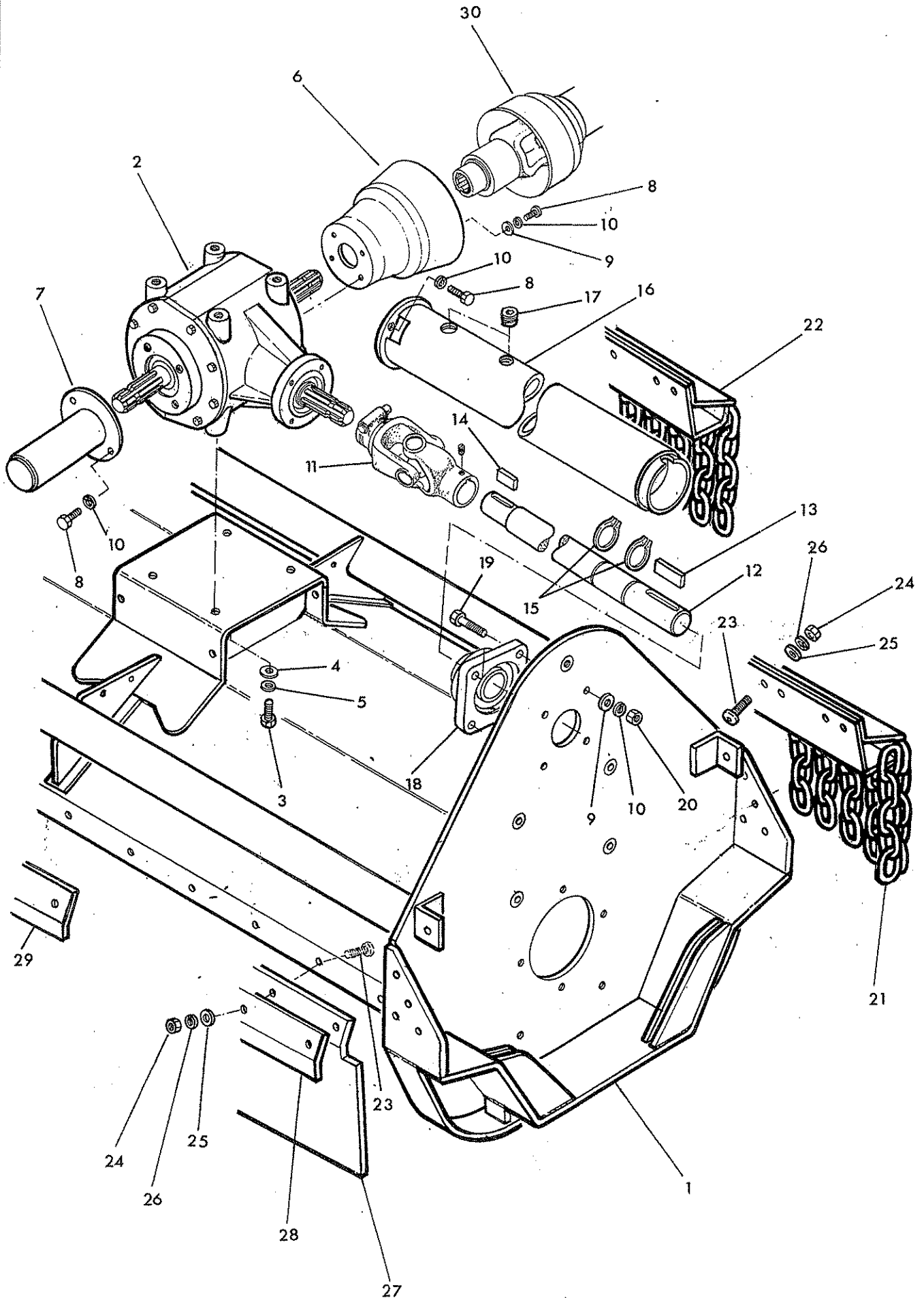
- ***Machine Type***
- ***Serial Number***
- ***Part Number***

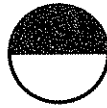
*Design improvements may alter some of the parts listed in this manual –
the latest part will always be supplied when it is interchangeable with an earlier one.*

CASING

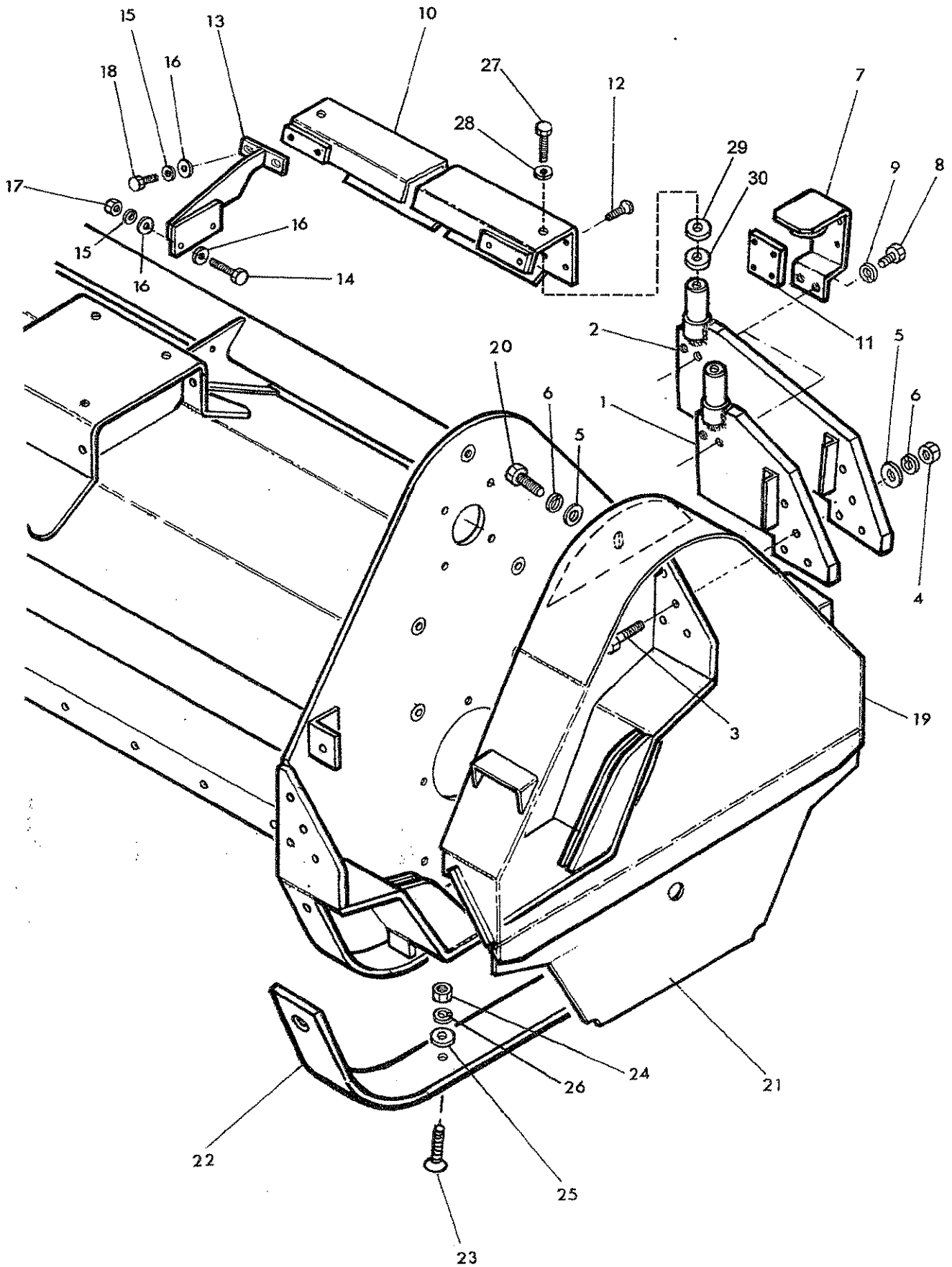


McCORMICK





| Ref | Part No. | Qty | Description |
|-----|-----------|--------|-------------------------------------------------------------------------|
| | | | CASING ASSEMBLY 250 |
| | | | CASING ASSEMBLY 275 |
| 1 | 42416.03 | 1 | Casing 250 |
| | 42416.04 | 1 | Casing 275 |
| 2 | 42696.01 | 1 | Gearbox |
| 3 | 93 13 097 | 4 | Setscrew M16 x 45 |
| 4 | 01 00 106 | 4 | Plain washer dia 16 |
| 5 | 91 00 207 | 4 | Spring washer dia 16 |
| 6 | 42694.02 | 1 | Gearbox input guard |
| 7 | 42668.02 | 1 | Gearbox through shaft stub guard |
| 8 | 93 13 056 | 8 | Setscrew M12 x 25 |
| 9 | 91 00 106 | 8 | Plain washer dia 12 |
| 10 | 91 00 206 | 12 | Spring washer dia 12 |
| 11 | 42538.01 | 1 | P.T.O. joint |
| 12 | 42468.03 | 1 | Drive shaft - 250 |
| | 42468.04 | 1 | Drive shaft - 275 |
| 13 | 42527.02 | 1 | Drive key 12 x 8 x 70 |
| 14 | 42527.03 | 1 | Drive key 10 x 8 x 40 |
| 15 | 04 01 240 | 2 | External circlip dia 40 |
| 16 | 42465.03 | 1 | Shaft guard - 250 |
| | 42465.04 | 1 | Shaft guard - 275 |
| 17 | 85 82 035 | 2 | Blanking plug 3/4 BSPT |
| 18 | 03.008.01 | 1 | Flange bearing |
| 19 | 92 13 086 | 4 | Bolt M12 x 40 |
| 20 | 91 43 006 | 4 | Self locking nut M12 |
| 21 | 42508.03 | 2 | Front chain skirt - 250 |
| | 42508.02 | 2 | Front chain skirt - 275 |
| 22 | 42508.04 | 1 | Front chain skirt centre - 275 |
| 23 | 93 00 152 | as req | Screw - button head M8 x 35 |
| 24 | 91 13 004 | as req | Hexagon nut M8 |
| 25 | 91 00 104 | as req | Plain washer dia 8 |
| 26 | 91 00 204 | as req | Spring washer dia 8 |
| 27 | 42499.03 | 1 | Rear rubber flap - 250 |
| | 42499.04 | 1 | Rear rubber flap - 275 |
| 28 | 42500.03 | 2 | Clamp strip - 250 |
| | 42500.04 | 2 | Clamp strip - 275 |
| 29 | 42500.05 | 1 | Clamp strip centre - 275 |
| 30 | 42695.01 | 1 | P.T.O. shaft 1 3/8 x 6 spline for rear mount and front mount clockwise |
| | 42695.02 | 1 | P.T.O. shaft 1 3/8 x 6 spline for front mount anti clockwise |
| | 42695.05 | 1 | P.T.O. shaft 1 3/8 x 21 spline for rear mount and front mount clockwise |
| | 42695.04 | 1 | P.T.O. shaft 1 3/8 x 21 spline for front mount anti clockwise |

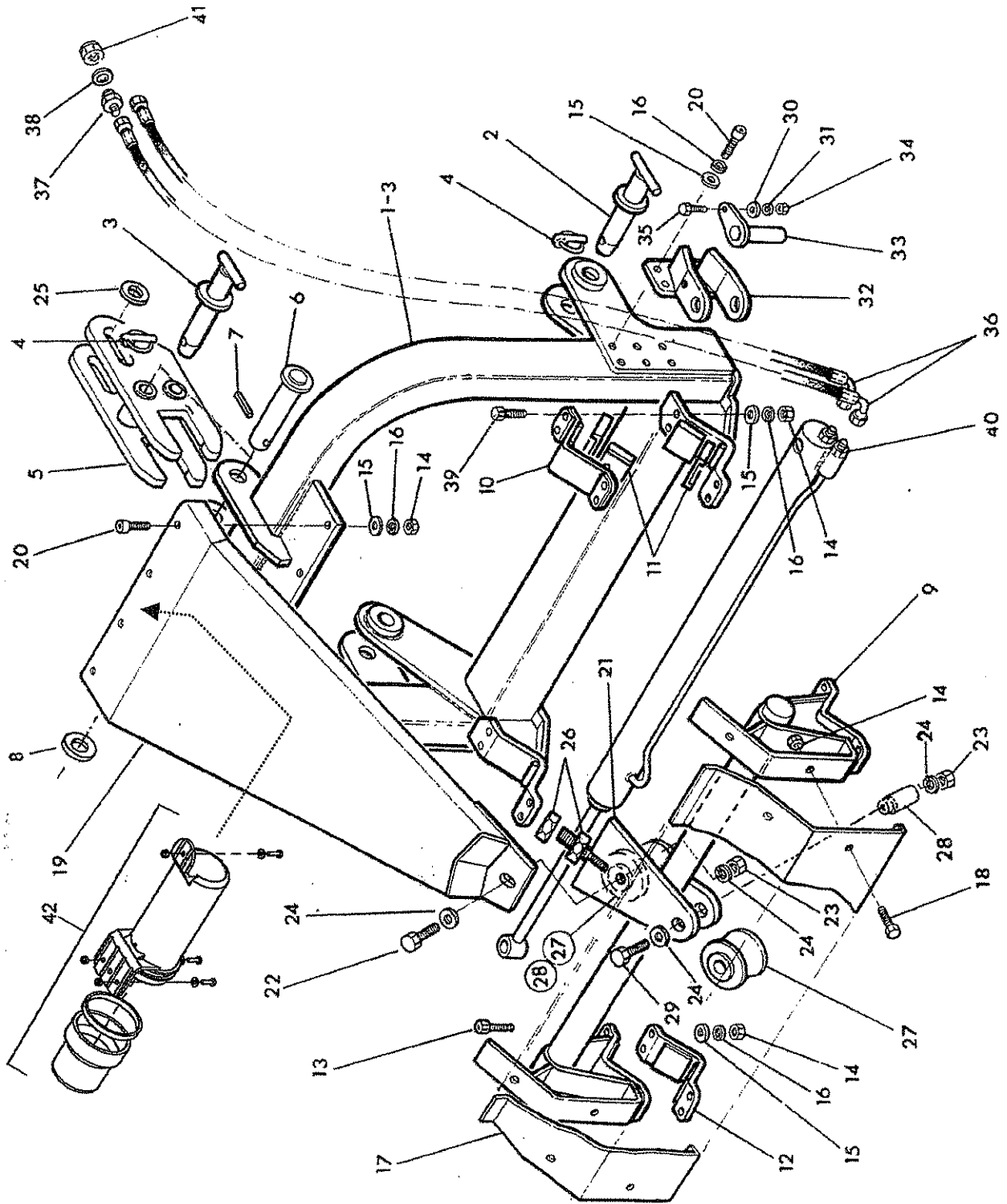




CASING (Continued)

| Ref | Part No. | Qty | Description |
|-----|-----------|-----|-------------------------------------------------------|
| | | | CASING ASSEMBLY 250 - continued |
| | | | CASING ASSEMBLY 275 - continued |
| 1 | 42454.02 | 1 | Cylinder rod bracket - 250 |
| 2 | 42454.03 | 1 | Cylinder rod bracket - 275 |
| 3 | 92 00 030 | 4 | Bolt |
| 4 | 91 00 027 | 4 | Hexagon nut |
| 5 | 91 00 106 | 5 | Plain washer |
| 6 | 91 00 206 | 5 | Spring washer |
| 7 | 42666.02 | 1 | * Rod retaining bracket - <i>machines up to 12/03</i> |
| 8 | 93 13 035 | 2 | * Setscrew - <i>machines up to 12/03</i> |
| 9 | 91 00 205 | 2 | * Spring washer - <i>machines up to 12/03</i> |
| 10 | 42665.01 | 1 | Cylinder rod guard |
| 11 | 42665.04 | 1 | * Guard retaining pad - <i>machines up to 12/03</i> |
| 12 | 93 33 013 | 4 | * Screw - <i>machines up to 12/03</i> |
| 13 | 42665.03 | 1 | Guard mounting bracket |
| 14 | 93 13 054 | 2 | Setscrew |
| 15 | 91 00 204 | 4 | Spring washer |
| 16 | 91 00 104 | 6 | Plain washer |
| 17 | 91 13 004 | 2 | Hexagon nut |
| 18 | 93 13 034 | 2 | Setscrew |
| 19 | 42593.01 | 1 | Belt guard - upper |
| 20 | 93 13 056 | 1 | Setscrew |
| 21 | 42466.02 | 1 | Belt guard lower |
| 22 | 42657.01 | 1 | Wear skid |
| 23 | 93 53 085 | 8 | Screw - countersunk |
| 24 | 91 13 005 | 8 | Hexagon nut |
| 25 | 91 00 105 | 8 | Plain washer |
| 26 | 91 00 205 | 8 | Spring washer |
| 27 | 93 13 055 | 1 | ** Setscrew - <i>machines 12/03 onwards</i> |
| 28 | 91 00 205 | 1 | ** Spring washer - <i>machines 12/03 onwards</i> |
| 29 | 42666.04 | 1 | ** Spacer - <i>machines 12/03 onwards</i> |
| 30 | 42666.03 | 1 | ** Spacer - <i>machines 12/03 onwards</i> |

NOTE: Components * are replaced by components ** on machines built after 12/03

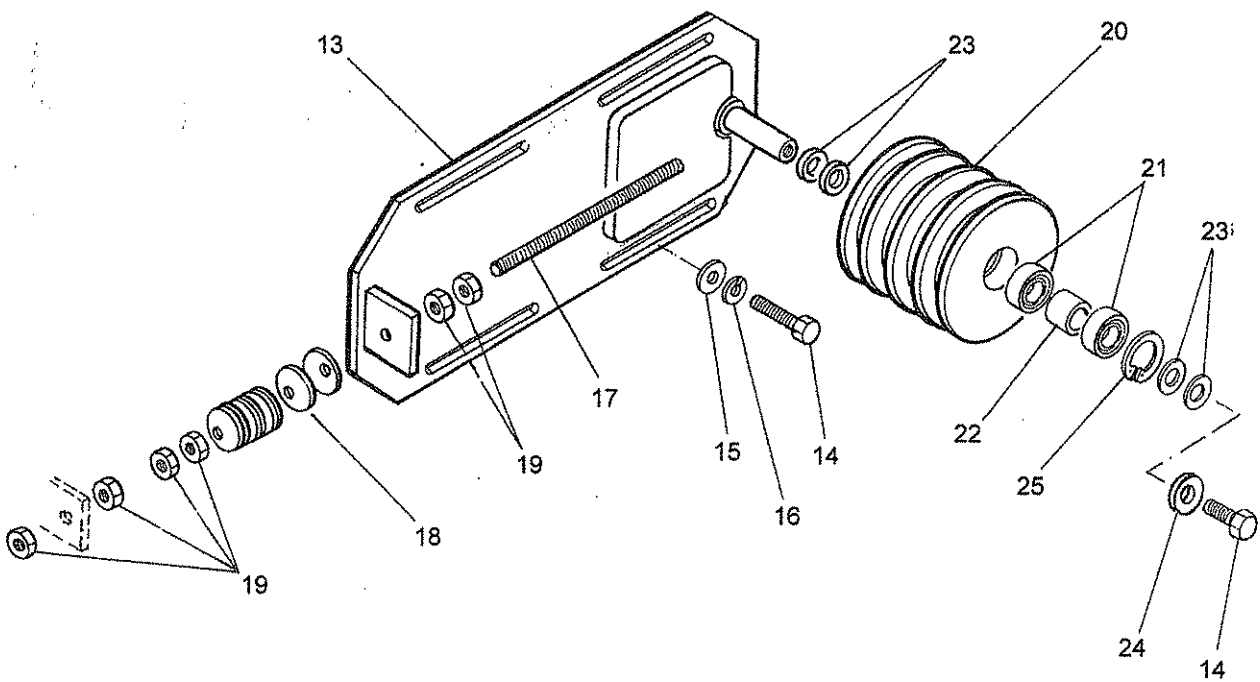
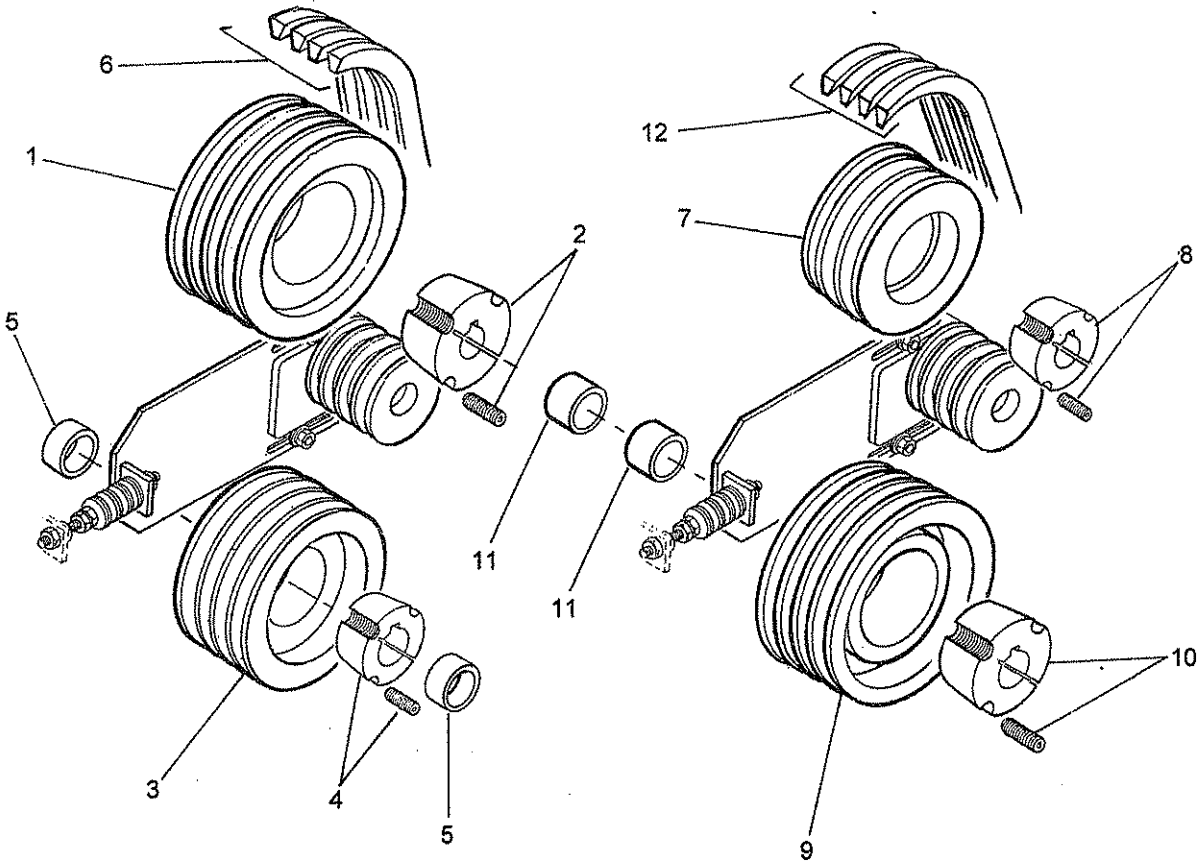




HITCH FRAME ASSEMBLY

| Ref | Part No. | Qty | Description |
|-----|------------|-----|-----------------------------------------------------|
| | | | HITCH FRAME ASSEMBLY |
| 1 | 42417.01 | 1 | Hitch frame |
| 2 | 42516.01 | 2 | Hitch pin - lower |
| 3 | 42515.01 | 1 | Hitch pin - upper |
| 4 | 04 31 217 | 3 | Linch pin |
| 5 | 42800-01 | 1 | Top hitch knuckle |
| 6 | 42509.01 | 1 | Knuckle pivot pin |
| 7 | 04 45 540 | 1 | Roll pin |
| 8 | 01 00 109 | 1 | Plain washer |
| 9 | 42423.01 | 1 | Support bar |
| 10 | 42418.01 | 2 | Clamp - hitch frame |
| 11 | 42419.01 | 8 | Slider bearing |
| 12 | 42445.01 | 2 | Clamp - support bar |
| 13 | 92 13 086 | 8 | Setscrew |
| 14 | 91 13 006 | 18 | Self Locking nut |
| 15 | 91 00 106 | 26 | Plain washer |
| 16 | 91 00 206 | 30 | Spring washer |
| 17 | 42656.01 | 1 | Support wheel guard |
| 18 | 93 13 056 | 4 | Setscrew |
| 19 | 42424.02 | 1 | Support wheel frame |
| 20 | 93 43 076 | 4 | Capscrew |
| 21 | 42446.02 | 1 | Support wheel bracket |
| 22 | 92 13 247 | 1 | Bolt |
| 23 | 91 .43 007 | 2 | Self Locking nut |
| 24 | 01 00 106 | 4 | Plain washer |
| 25 | 01 00 109 | 1 | Plain washer |
| 26 | 91 13 008 | 2 | Hexagon nut |
| 27 | 42447.01 | 2 | Support wheel |
| 28 | 43063.01 | 2 | Slide wheel spindle |
| 29 | 92 13 227 | 1 | Bolt |
| 30 | 91 00 105 | 1 | Plain washer |
| 31 | 91 00 205 | 1 | Spring washer |
| 32 | 42453.02 | 1 | Mounting bracket - sideshift ram |
| 33 | 41691.01 | 1 | Pivot pin - sideshift ram |
| 34 | 91 13 005 | 1 | Hexagon nut |
| 35 | 92 13 075 | 1 | Bolt |
| 36 | 85 31 433 | 2 | Hose 3/8 BSP x 63" long |
| 37 | 60 00 112 | 2 | Adaptor |
| 38 | 86 50 104 | 2 | Bonded seal |
| 39 | 92 13 096 | 8 | Setscrew |
| 40 | 42492.01 | 1 | Sideshift ram assembly |
| 41 | 85 82 054 | 1 | Hose blanking cap 1/2" BSP - <i>not illustrated</i> |
| 42 | 46505.02 | 1 | Manual holder assembly - <i>comprising of:</i> |
| | 46505.01 | 1 | Literature holder |
| | 46503.01 | 1 | Spacer |
| | 9313043 | 3 | Setscrew |
| | 9143003 | 3 | Self locking nut |
| | 9100103 | 3 | Flat washer |

Drive





Drive

| Ref | Part No. | Qty | Description |
|------------------------------------|-----------|-----|-----------------|
| DRIVE ARRANGEMENT - 540 RPM | | | |
| 1 | 42539.07 | 1 | Drive pulley |
| 2 | 42541.01 | 1 | Taper lock bush |
| 3 | 42539.02 | 1 | Driven pulley |
| 4 | 42541.02 | 1 | Taper lock bush |
| 5 | 42526.03 | 2 | Spacer 15 |
| 6 | 10 20 802 | 1 | Belt set (4) |

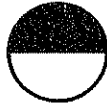
DRIVE ARRANGEMENT - 1000 RPM

| | | | |
|----|-----------|---|-----------------|
| 7 | 42539.05 | 1 | Drive pulley |
| 8 | 72 90 016 | 1 | Taper lock bush |
| 9 | 42539.07 | 1 | Driven pulley |
| 10 | 42541.02 | 1 | Taper lock bush |
| 11 | 42526.03 | 2 | Spacer 15 long |
| 12 | 10 20 803 | 1 | Belt set (4) |

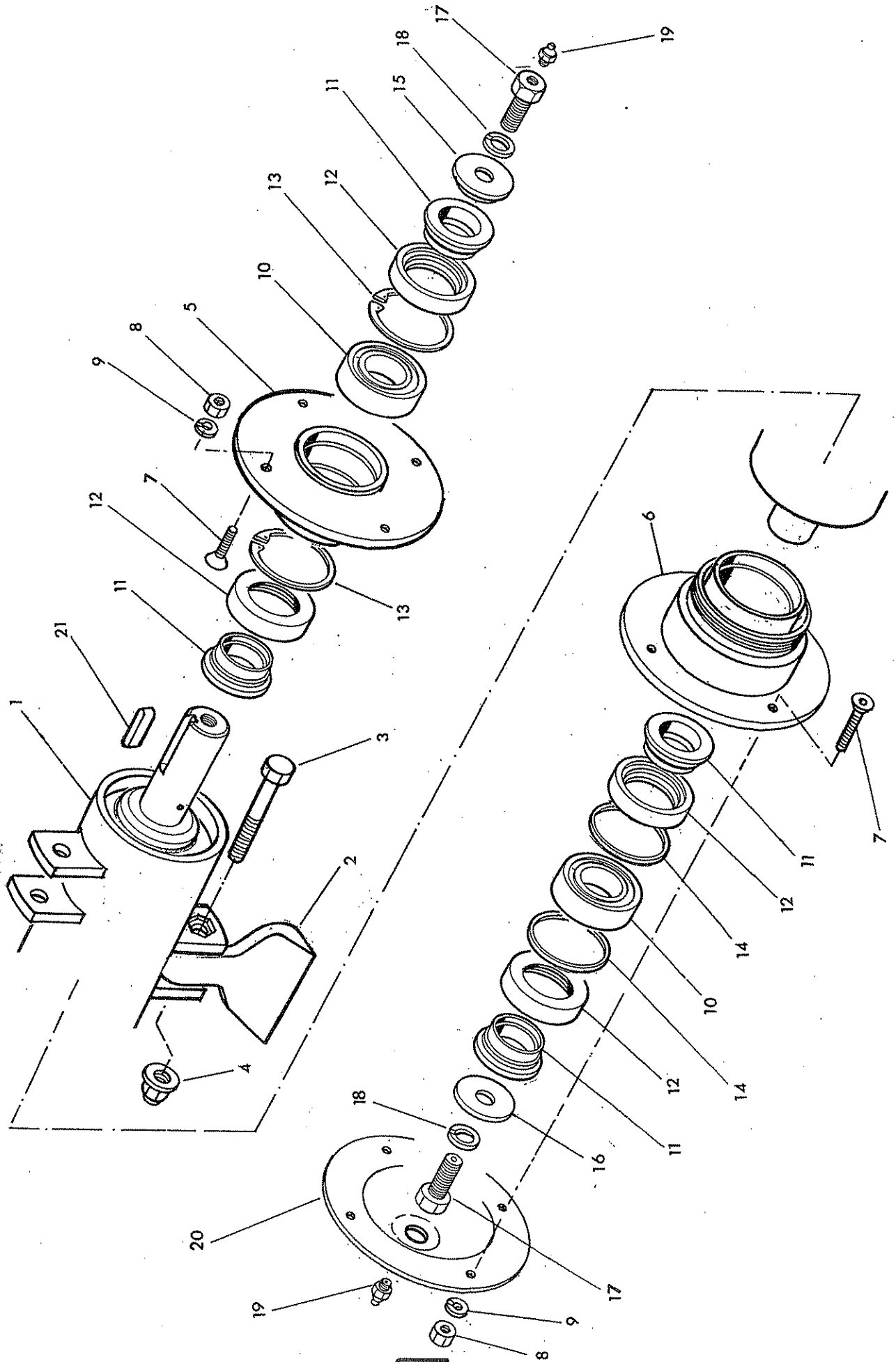
The following items are common to both drive arrangements

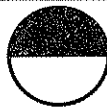
| | | | |
|----|-----------|---|-----------------------------|
| 13 | 42467.02 | 1 | Tensioner bracket |
| 14 | 93 13 056 | 5 | Setscrew M12 x 25 |
| 15 | 91 00 106 | 4 | Plain washer dia 12 |
| 16 | 91 00 206 | 4 | Spring washer dia 12 |
| 17 | 42736.01 | 1 | All thread M12 x 210 |
| 18 | 05.398.02 | 8 | Disc springs |
| 19 | 91 13 006 | 6 | Hexagon nut M12 |
| 20 | 42630.01 | 1 | Idler pulley |
| 21 | 01.083.01 | 2 | Bearing |
| 22 | 42526.05 | 1 | Spacer |
| 23 | 42535.01 | 4 | Locating washer |
| 24 | 05.234.01 | 1 | Washer |
| 25 | 01.072.02 | 1 | Internal circlip dia 1 7/8" |

ROTOR ASSEMBLY



McCOMB



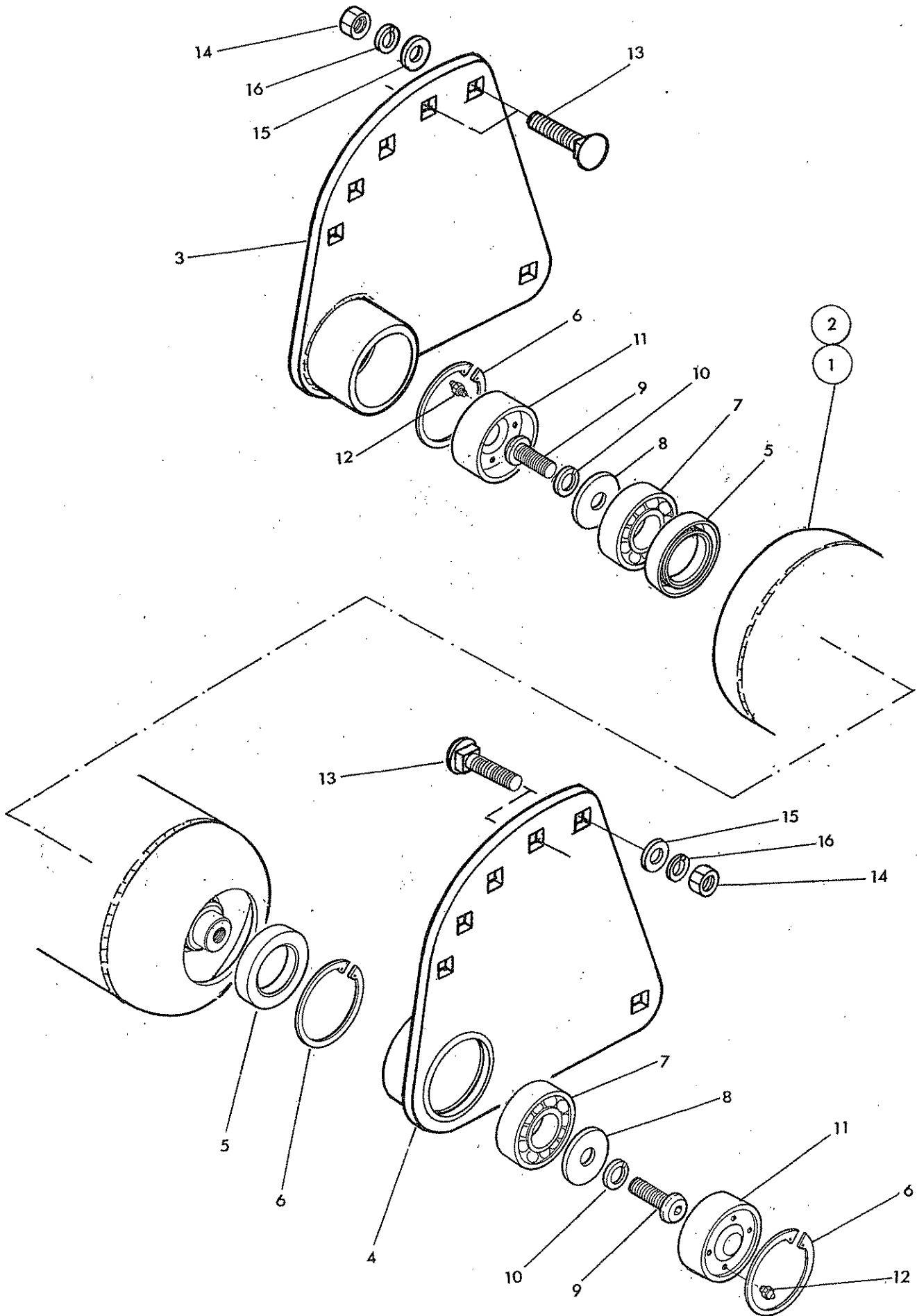
**McCONNELL**

| Ref | Part No. | Qty | | Description |
|-----|-----------|-----|-----|-------------------------------------|
| | | 250 | 275 | |
| | | | | ROTOR AND BEARING ASSY |
| | 42420.15 | 1 | | Rotor assembly - 250 clockwise |
| | 42420.14 | 1 | | Rotor assembly - 250 anti clockwise |
| | 42420.13 | | 1 | Rotor assembly - 275 clockwise |
| | 42420.12 | | 1 | Rotor assembly - 275 anti clockwise |
| 1 | 42640.01 | 1 | | Rotor - 250 |
| | 42640.02 | | 1 | Rotor - 275 |
| 2 | 10 20 525 | 28 | 32 | Flail c/w nut & bolt |
| 3 | 92 00 027 | 28 | 32 | Special bolt M16 x 1.5p x 95 |
| 4 | 91 00 024 | 28 | 32 | Special nut M16 x 1.5p |
| 5 | 42679.02 | 1 | 1 | Bearing housing - drive end |
| 6 | 42679.01 | 1 | 1 | Bearing housing - free end |
| 7 | 93 53 066 | 8 | 8 | Screw countersunk M12 x 30 |
| 8 | 91 43 006 | 8 | 8 | Hexagon nut M12 |
| 9 | 91 00 206 | 8 | 8 | Spring washer - dia 12 |
| 10 | 04.163.04 | 2 | 2 | Bearing |
| 11 | 42659.01 | 4 | 4 | Collar seal |
| 12 | 06.909.01 | 4 | 4 | Spacer seal |
| 13 | 04.11.285 | 2 | 2 | Internal circlip dia 85 |
| 14 | 42470.01 | 2 | 2 | Spacer |
| 15 | 42681.01 | 1 | 1 | Pulley retaining washer |
| 16 | 04.252.01 | 1 | 1 | Shaft washer |
| 17 | 42662.01 | 2 | 2 | Special screw M16 |
| 18 | 91 00 207 | 2 | 2 | Spring washer dia 16 |
| 19 | 05.953.03 | 2 | 2 | Greaser M10 straight |
| 20 | 42661.02 | 1 | 1 | Bearing cover - free end |
| 21 | 42527.01 | 1 | 1 | Drive key 14 x 9 x 65 |

ROLLER ASSEMBLY



McCORMICK





REAR ROLLER ASSEMBLY

| REF. | QTY. | | PART No. | DESCRIPTION |
|------|------|-----|-----------|---------------------------------------------|
| | 250 | 275 | | |
| | 1 | n/a | 42421.03 | REAR ROLLER ASSEMBLY |
| | n/a | 1 | 42421.04 | 250 ROLLER ASSEMBLY - <i>comprising of:</i> |
| | | | | 275 ROLLER ASSEMBLY - <i>comprising of:</i> |
| 1 | 1 | 1 | 42955.11 | ROLLER 250 |
| 2 | 1 | 1 | 42955.14 | ROLLER 275 |
| 3 | 1 | 1 | 42422.01 | ROLLER BRACKET - L/H |
| 4 | 1 | 1 | 42422.02 | ROLLER BRACKET - R/H |
| 5 | 2 | 2 | 04.164.04 | SEAL |
| 6 | 3 | 3 | 0411262 | INTERNAL CIRCLIP |
| 7 | 2 | 2 | 42954.01 | BEARING |
| 8 | 2 | 2 | 05.234.01 | WASHER |
| 9 | 2 | 2 | 9300148 | SCREW - BUTTON HEAD |
| 10 | 2 | 2 | 9100206 | SPRING WASHER |
| 11 | 2 | 2 | 41851.02 | BEARING RETAINER |
| 12 | 8 | 8 | 0901161 | GREASER |
| 13 | 6 | 6 | 9293086 | COACH BOLT |
| 14 | 6 | 6 | 9163006 | SELF-LOCKING NUT |
| 15 | 6 | 6 | 9100106 | PLAIN WASHER |
| 16 | 6 | 6 | 9100206 | SPRING WASHER |

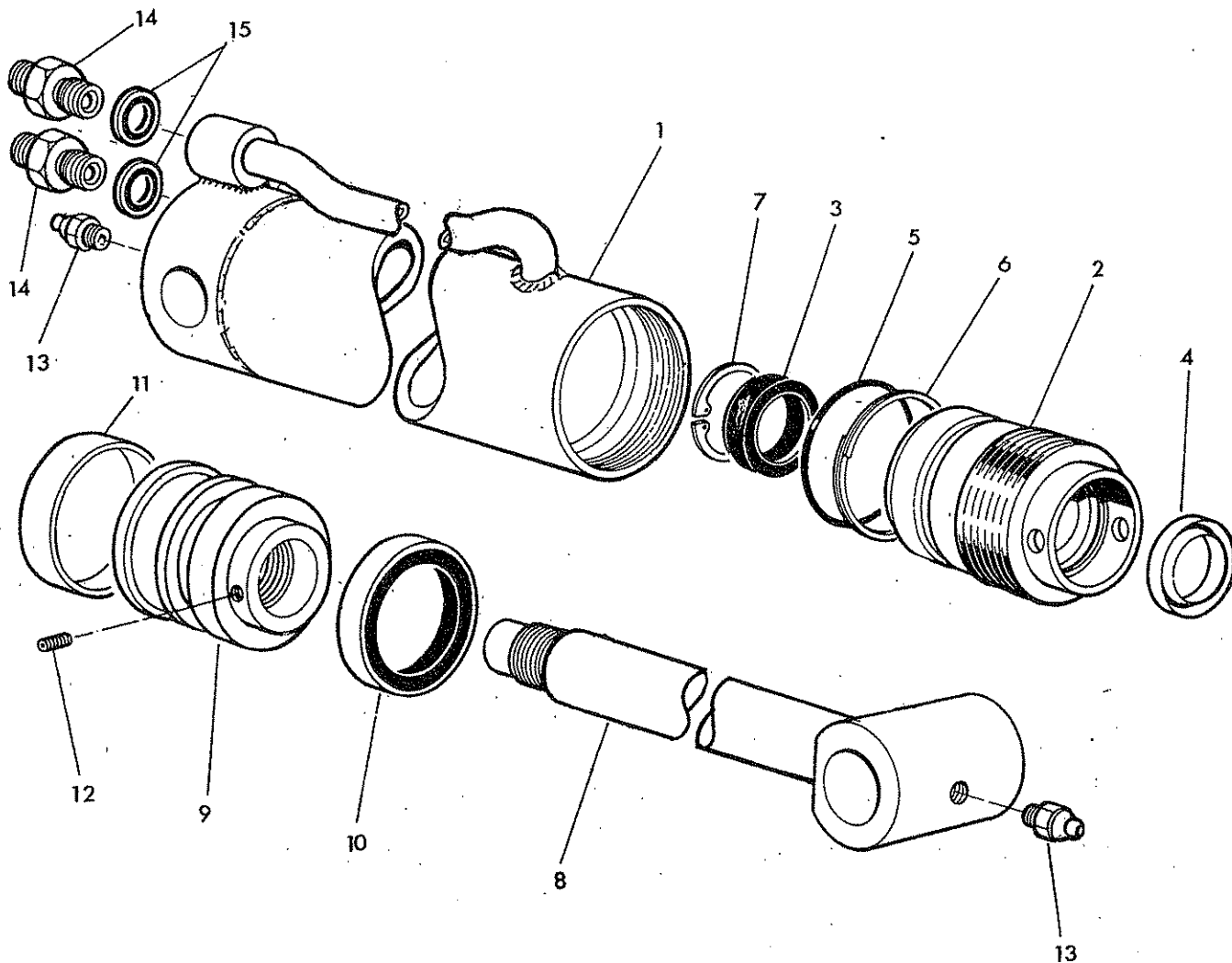


| Ref | Part No. | Qty | Description |
|-----|-----------|-----|-------------------|
| | 42696.01 | | GEARBOX ASSEMBLY |
| 1 | 80 13 551 | 1 | Casing |
| 2 | 80 13 556 | 1 | Cover |
| 3 | 93 13 055 | 8 | Setscrew M10 x 25 |
| 4 | 80 13 560 | 1 | Input shaft |
| 5 | 80 13 554 | 1 | Crown wheel gear |
| 6 | 80 13 563 | 1 | Pinion shaft gear |
| 7 | 80 13 558 | 2 | Seal |
| 8 | 80 13 555 | 2 | Bearing |
| 9 | 80 13 557 | 2 | Internal circlip |
| 10 | 80 13 552 | 2 | Shim |
| 11 | 80 13 561 | 2 | Shim |
| 12 | 80 13 565 | 1 | Shim |
| 13 | 80 13 564 | 1 | Circlip |
| 14 | 80 13 562 | 1 | Bearing |
| 15 | 80 13 553 | 1 | Bearing |
| 16 | 80 13 567 | 1 | Seal |
| 17 | 80 13 559 | 4 | Plug |
| 18 | 80 13 568 | 1 | Filler breather |

SIDESHIFT RAM

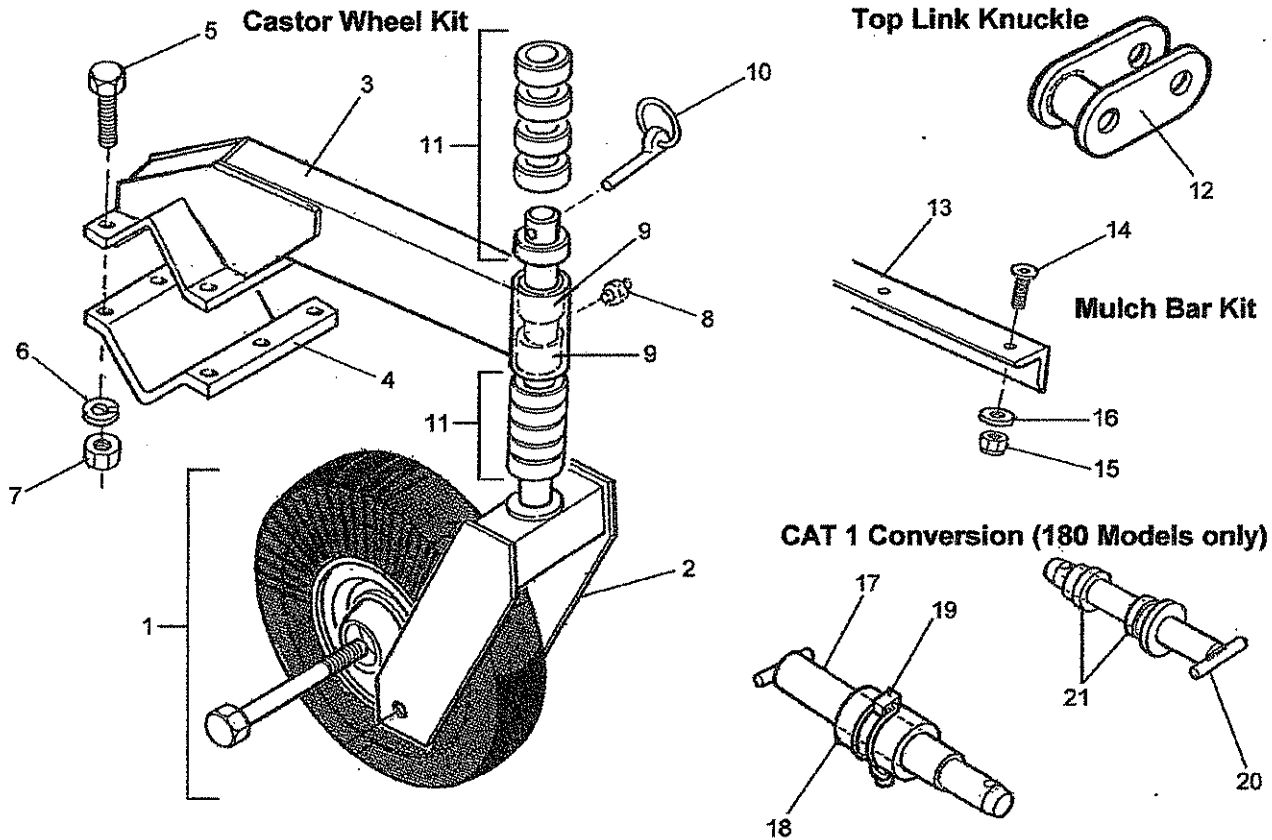


MCCORMEL



| Ref | Part No. | Qty | Description |
|-----|------------------|-----|-------------------------------|
| | 42492.01 | | SIDESHIFT RAM ASSEMBLY |
| 1 | 42492.31 | 1 | Barrel |
| 2 | 71 36 312 | 1 | Gland housing |
| 3 | 86 29 148 | 1 | Gland seal |
| 4 | 86 29 149 | 1 | Rod wiper |
| 5 | 86 00 306 | 1 | O ring |
| 6 | 86 09 306 | 1 | Anti extrusion ring |
| 7 | 04 16 240 | 1 | Internal circlip dia 40 |
| 8 | 42492.35 | 1 | Piston rod |
| 9 | 71 20 368 | 1 | Piston |
| 10 | 86 29 156 | 1 | Piston seal |
| 11 | 86 29 157 | 1 | Guide ring |
| 12 | 93 63 023 | 1 | Grub screw M6 x 12 |
| 13 | 09 01 121 | 2 | Greaser 1/8 BSP straight |
| 14 | 03.028.01 | 2 | Union 3/8 BSP MM restricted |
| 15 | 86 50 103 | 2 | Bonded seal 3/8 BSP |
| | 86 99 190 | | SEAL KIT |

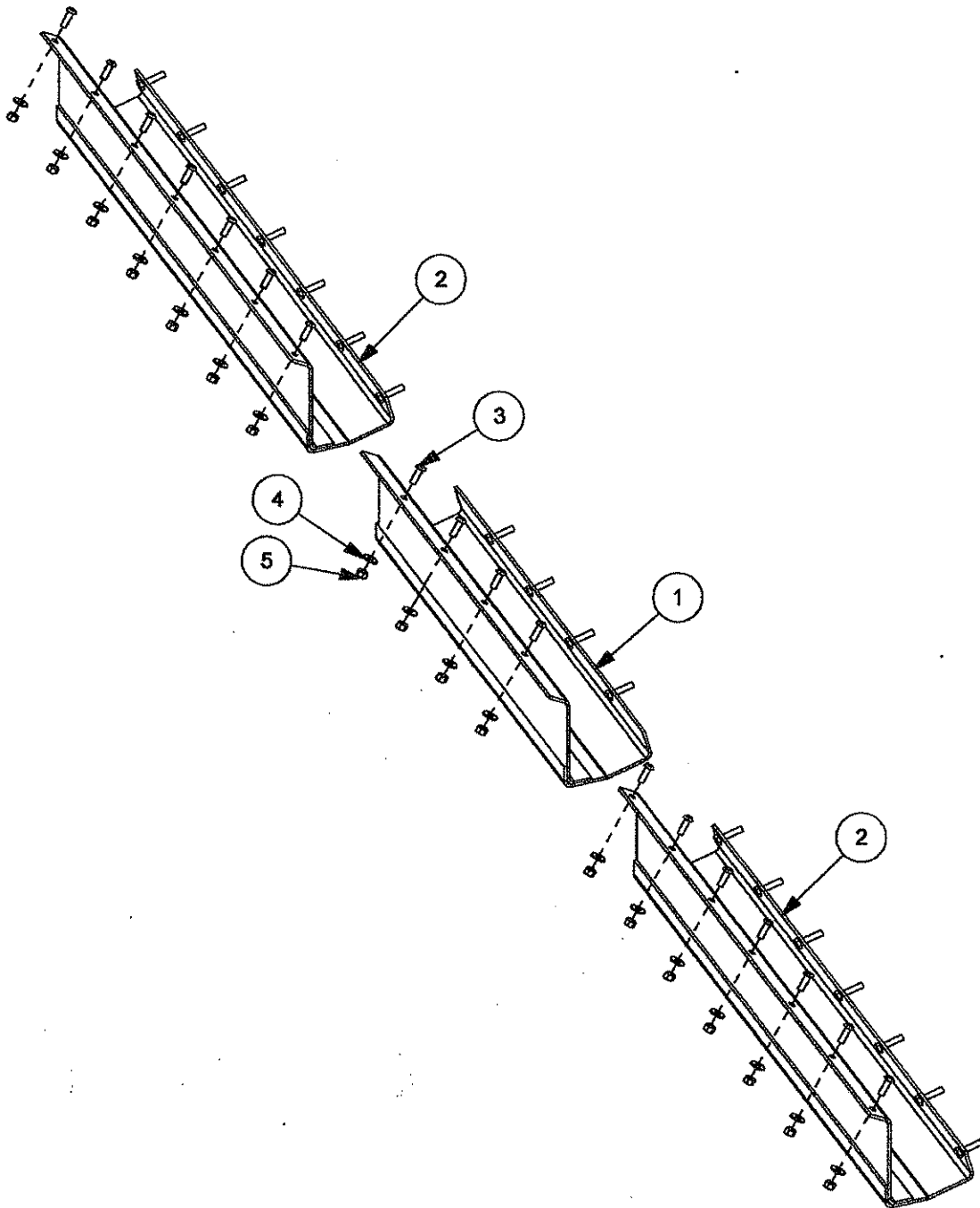
OPTIONAL EXTRAS



| REF. | QTY. | PART No. | DESCRIPTION |
|------|-----------------|-----------------|-------------------------------------------|
| | | 1020520 | CASTOR WHEEL ASSEMBLY |
| 1 | 2 | 1020519 | Wheel Assembly - comprising of: |
| | 1 | 1020531 | Tyre & Wheel Rim Assembly |
| | 1 | 1020532 | Wheel Hub Assembly |
| 2 | 1 | 42961.02 | Wheel Castor |
| 3 | 1 | 42961.04 | Mounting Bracket |
| | 1 | 42961.05 | Mounting Bracket - <i>opposite hand</i> |
| 4 | 2 | 42961.03 | Clamp |
| 5 | 8 | 9213096 | Setscrew |
| 6 | 8 | 9100206 | Spring Washer |
| 7 | 8 | 9113006 | Hexagon Nut |
| 8 | 2 | 0901121 | Greaser |
| 9 | 4 | 02.771.10 | Bush |
| 10 | 2 | 00.372.01 | Linch Pin |
| 11 | 20 | 07.546.01 | Spacer |
| 12 | 1 | 42455.01 | TOP LINK KNUCKLE |
| 13 | 1 | 42763.03 | MULCH BAR KIT - 250 Models |
| | 1 | 42763.05 | MULCH BAR KIT - 275 Models |
| 14 | <i>as req'd</i> | 9300151 | Screw - Socket Button Head |
| 15 | <i>as req'd</i> | 9163005 | Self-Locking Nut |
| 16 | <i>as req'd</i> | 9100105 | Plain Washer |
| | | 42853.01 | CAT 1 CONVERSION - 180 Models only |
| 17 | 2 | 42853.10 | Lower Hitch Pin |
| 18 | 2 | 42853.32 | Sleeve |
| 19 | 2 | 0431216 | Linch Pin |
| 20 | 1 | 42853.11 | Top Hitch Pin |
| 21 | 2 | 42853.34 | Flanged Bush |

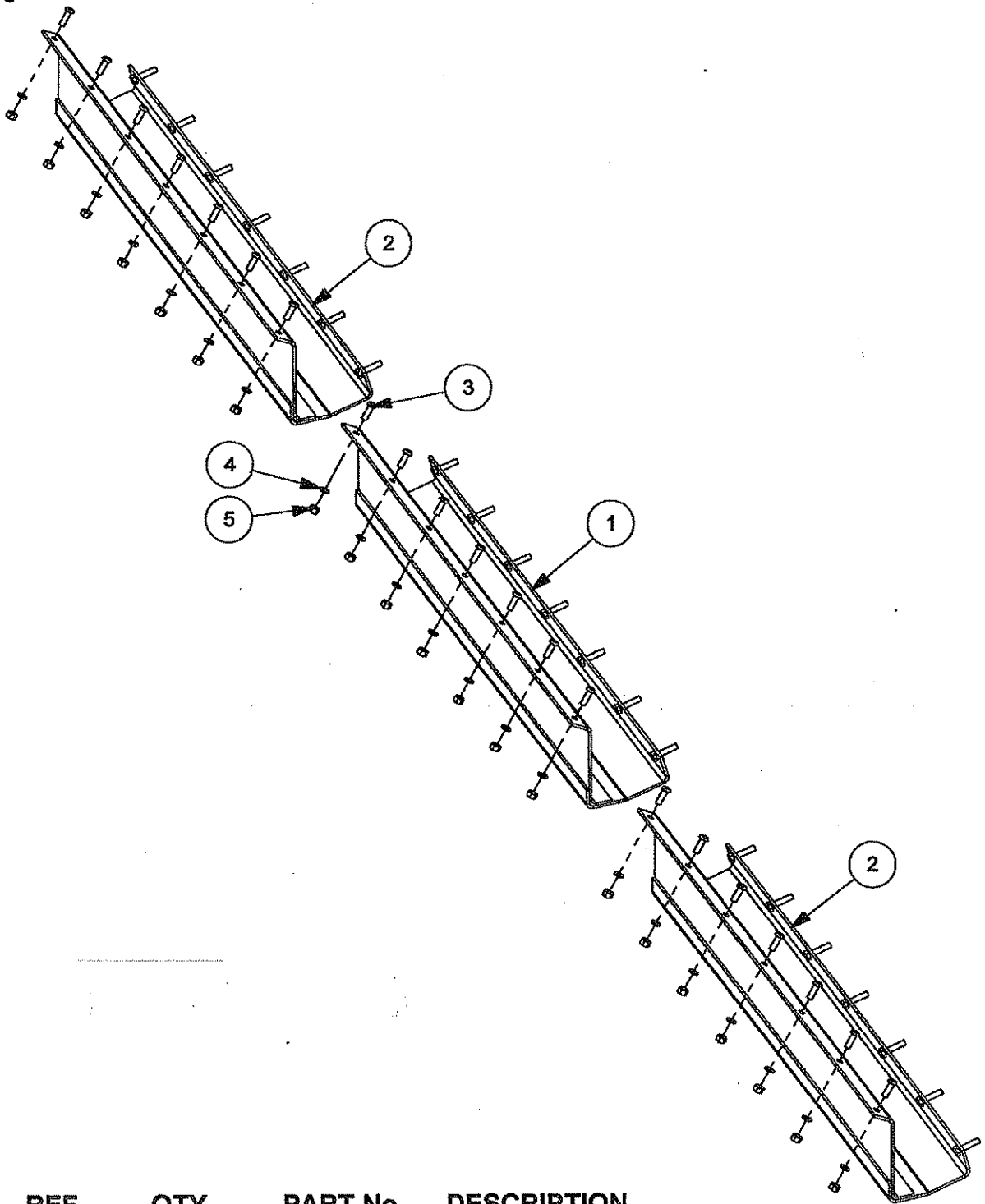
SUCTION THROAT KIT- Merlin 250

Module:
1020529

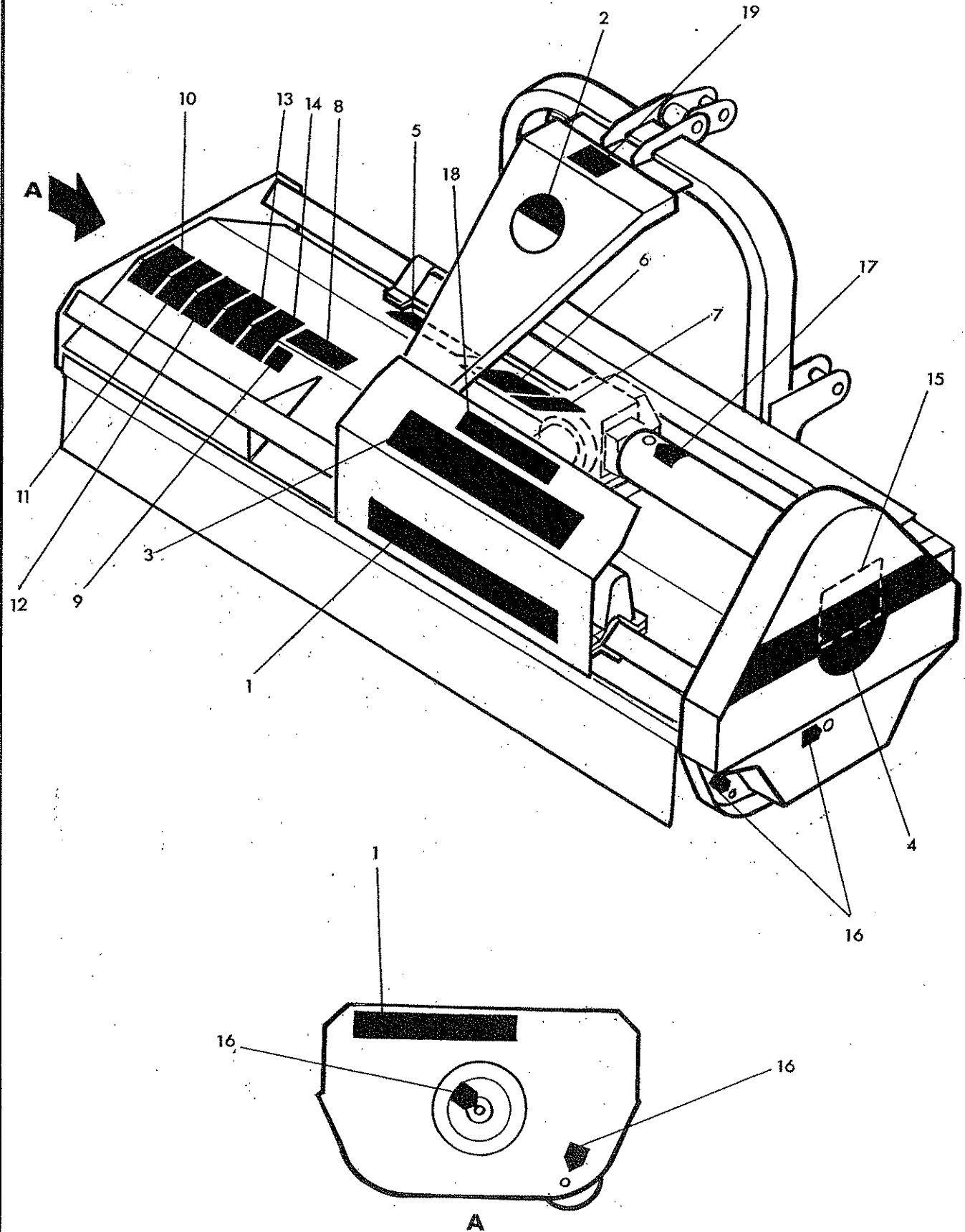


| REF. | QTY. | PART No. | DESCRIPTION |
|------|------|----------------|-----------------------------------------|
| | | 1020529 | THROAT KIT ASSEMBLY - 250 Models |
| 1 | 1 | 42847.10 | Suction Throat |
| 2 | 2 | 42847.06 | Suction Throat - Merlin |
| 3 | 18 | 9300151 | Screw - Button Head |
| 4 | 18 | 9100104 | Flat Washer |
| 5 | 18 | 9143004 | Self-Locking Nut |

SUCTION THROAT KIT- Merlin 275

 Module:
 1020530


| REF. | QTY. | PART No. | DESCRIPTION |
|------|------|----------------|-----------------------------------------|
| | | 1020530 | THROAT KIT ASSEMBLY - 275 Models |
| 1 | 1 | 42847.12 | Suction Throat |
| 2 | 2 | 42847.06 | Suction Throat |
| 3 | 21 | 9300151 | Screw - Button Head |
| 4 | 21 | 9100103 | Flat Washer |
| 5 | 21 | 9143004 | Self-Locking Nut |



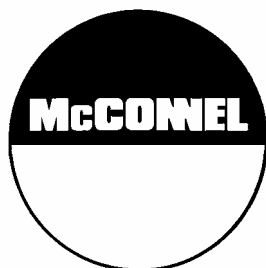


McCONNELL
WALCOBURN

| Ref | Part No. | Qty | Description |
|-----------------|-----------|-----|-----------------------------|
| STICKERS | | | |
| 1 | 12 90 255 | 2 | McConnel |
| 2 | 12 90 296 | 1 | Logo |
| 3 | 42543.31 | 1 | Merlin |
| 4 | 12 90 455 | 1 | Guard stripe |
| 5 | 71 35 295 | 1 | Tighten check chains |
| 6 | 09.821.20 | 1 | P.T.O. warning |
| 7 | 09.811.01 | 1 | 540rpm - clockwise |
| | 09.811.04 | 1 | 540rpm - anti clockwise |
| | 09.811.02 | 1 | 1000rpm - clockwise |
| | 09.811.05 | 1 | 1000rpm - anti clockwise |
| 8 | 71 14 481 | 1 | Bolt tightening schedule |
| 9 | 09.843.05 | 1 | Lift weight |
| 10 | 09.821.10 | 1 | Keep bolts tight |
| 11 | 09.821.17 | 1 | Unsupported machine warning |
| 12 | 09.821.18 | 1 | Thrown debris warning |
| 13 | 09.821.08 | 1 | Switch off warning |
| 14 | 09.821.15 | 1 | Read manual |
| 15 | 42543.32 | 1 | Belt tension adjust |
| 16 | 09.810.01 | 4 | Grease point - daily |
| 17 | 09.810.02 | 1 | Grease point - weekly |
| 18 | 42543.39 | 1 | MOR 250 |
| | 42543.38 | 1 | MOL 250 |
| | 42543.41 | 1 | MOR 275 |
| | 42543.40 | 1 | MOL 275 |

Depending
on
build

Depending
on
build



McConnel Limited, Temeside Works, Ludlow, Shropshire SY8 1JL. England.
Telephone: 01584 873131. Facsimile: 01584 876463. www.mcconnel.com