

PARTS MANUAL

FOR

SERIAL NO: M1957598

PRINTED ON 23 SEP 2020

22674.51 - PA3430 + PA4330 OPERATOR

Publication 651
July 2010
Part No. 22674.51



McCONNEL

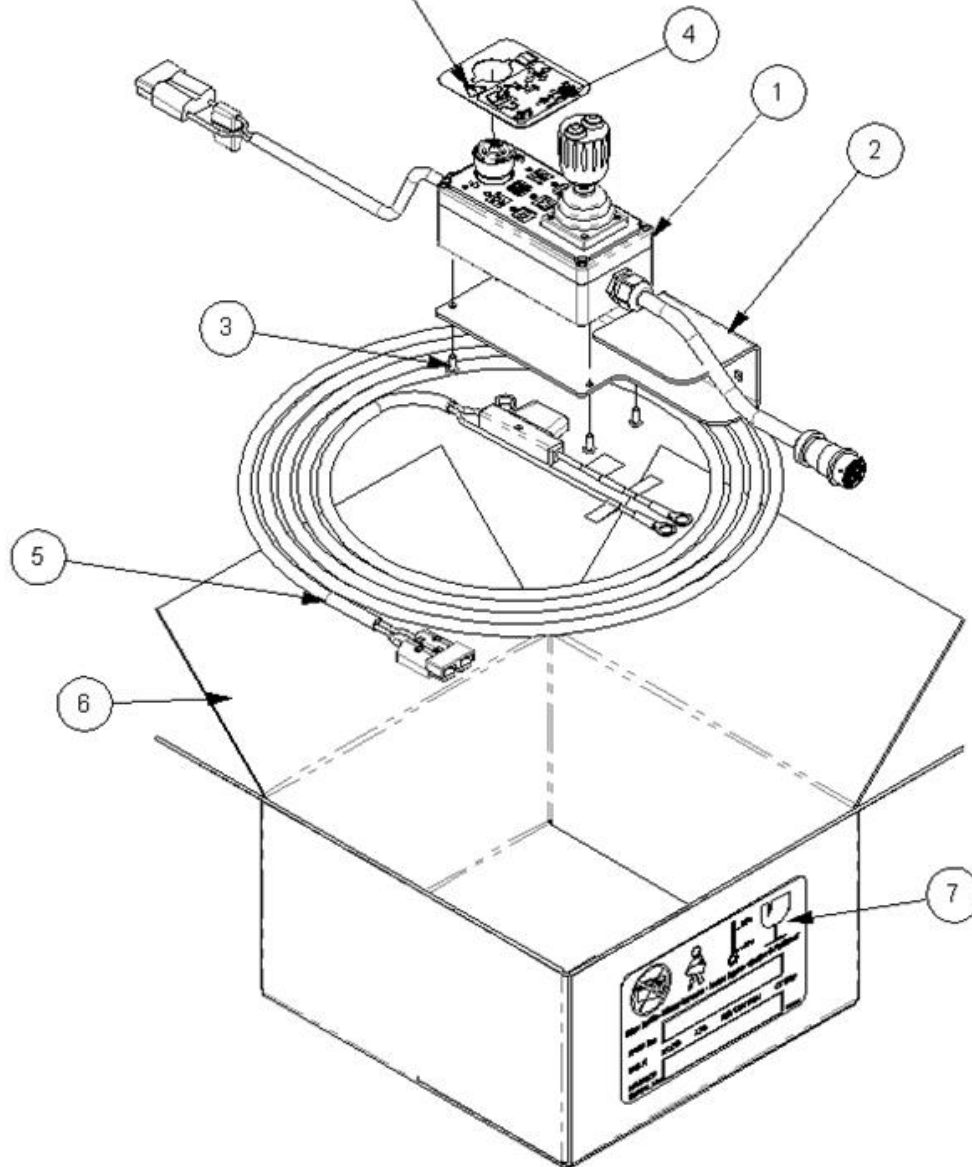
PA3430 / PA4330 Series COMPACT TRIMMER / MOWER

Operator Manual



23880.01 - MINI CONTROLS COMES WITH POWER

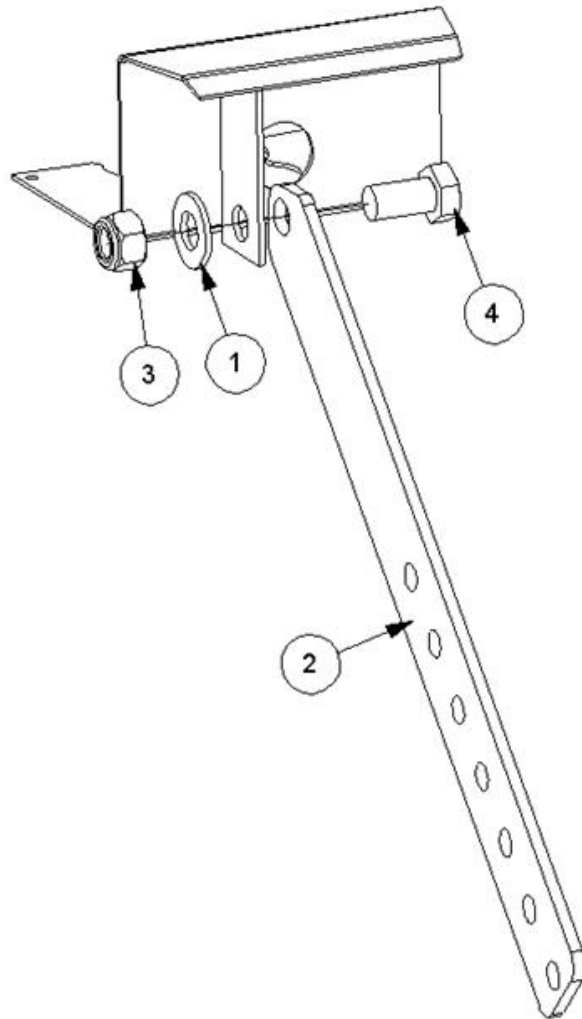
FIT DECAL OVER E STOP



| Ref | Part No | Description | QTY |
|-----|----------|------------------------------|-----|
| 1 | 23880.11 | MINI CONTROLS | 1 |
| 2 | 42442.04 | MINI MOTION CONTROLS BRACKET | 1 |
| 3 | 2800243 | SCREW | 4 |
| 4 | 1291169 | OPERATIONAL DECAL | 1 |
| 5 | 8402237 | LOOM | 1 |
| 6 | 8402701 | BOX | 1 |
| 7 | 1290717 | DECAL | 1 |

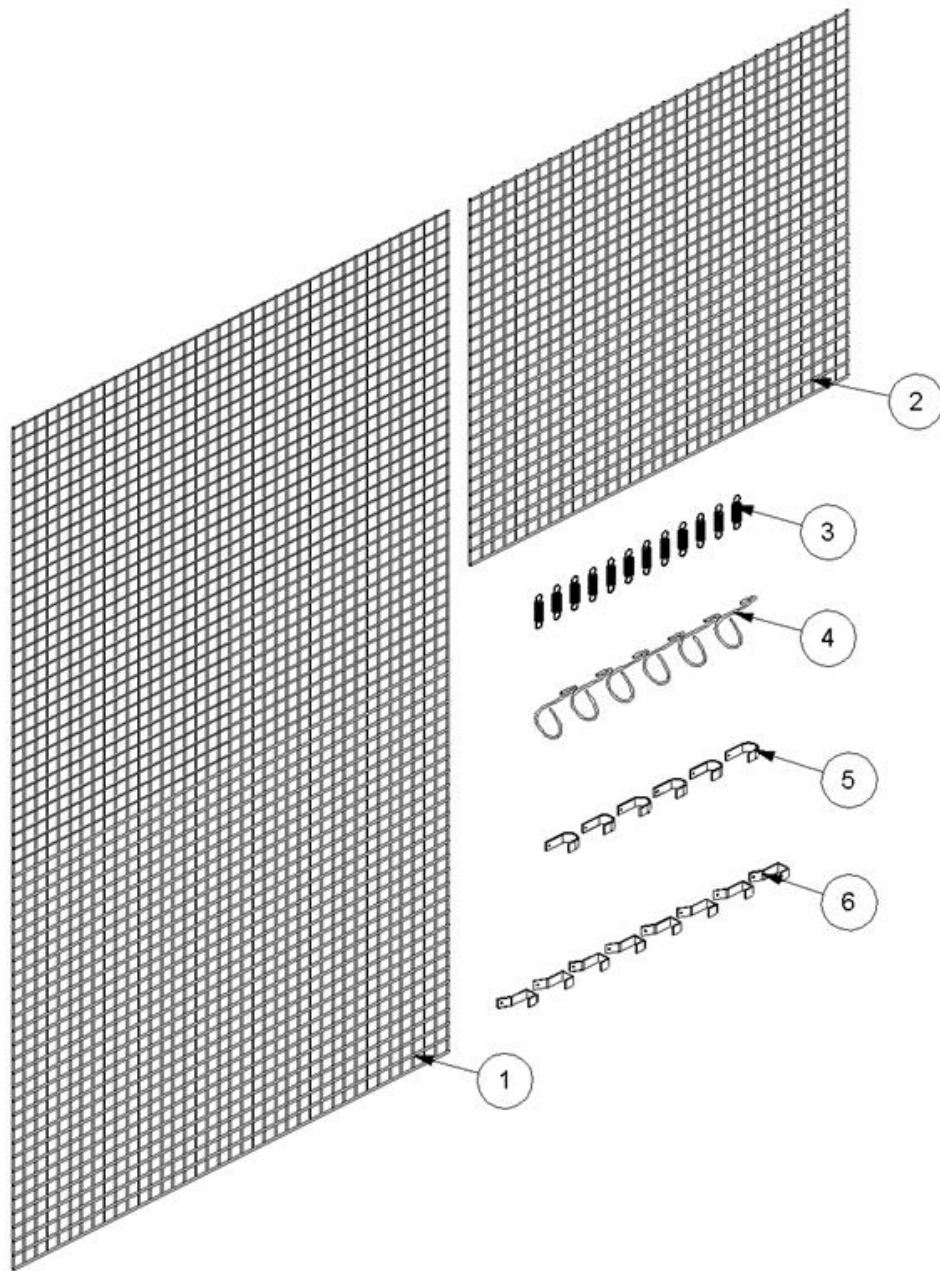
7109319 - CAB MTG MODULE

SWITCHBOX BRACKET SHOWN FOR DISPLAY ONLY



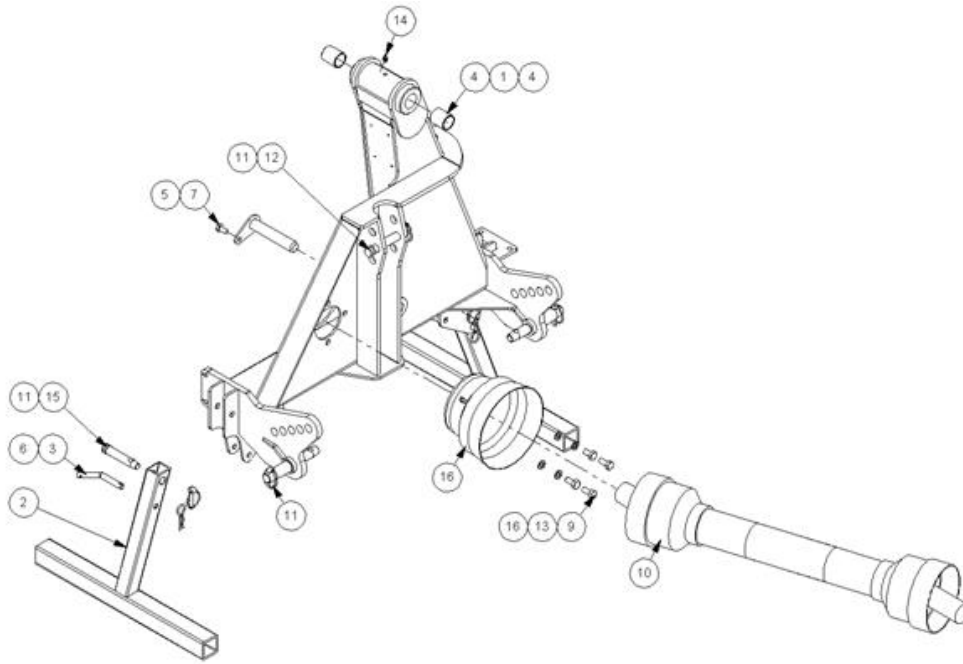
| Ref | Part No | Description | QTY |
|-----|---------|-------------|-----|
| 1 | 0100106 | WASHER | 1 |
| 2 | 7109146 | PILLAR | 1 |
| 3 | 9163007 | NUT | 1 |
| 4 | 9313067 | SCREW | 1 |

7313324 - GUARD KIT



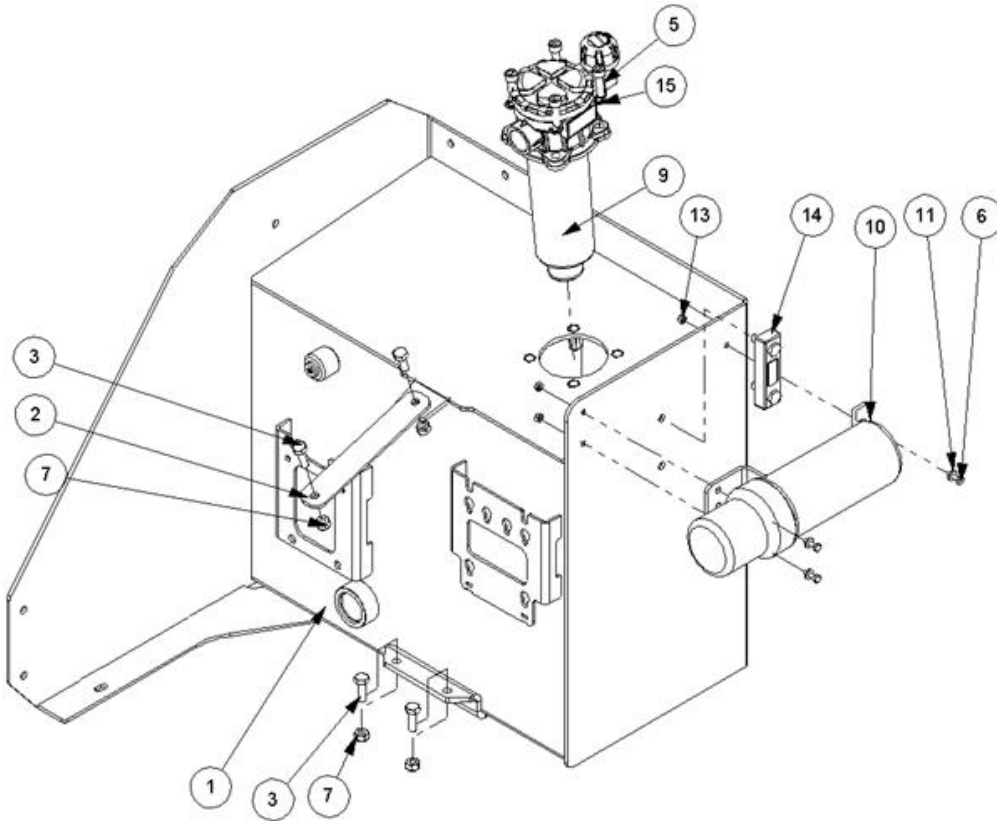
| Ref | Part No | Description | QTY |
|-----|----------|-------------|-----|
| 1 | 7313049 | GUARD PANEL | 1 |
| 2 | 7313050 | GUARD PANEL | 1 |
| 3 | 6001064 | SPRING | 12 |
| 4 | 6001065 | HOOK | 6 |
| 5 | 41587.01 | GUARD HOOK | 6 |
| 6 | 41745.01 | HOOK | 8 |
| 7 | 22342.01 | CABLE TIE | 1 |
| 8 | 7196045 | HOSE TIE | 2 |

7434501 - MAIN FRAME MODULE



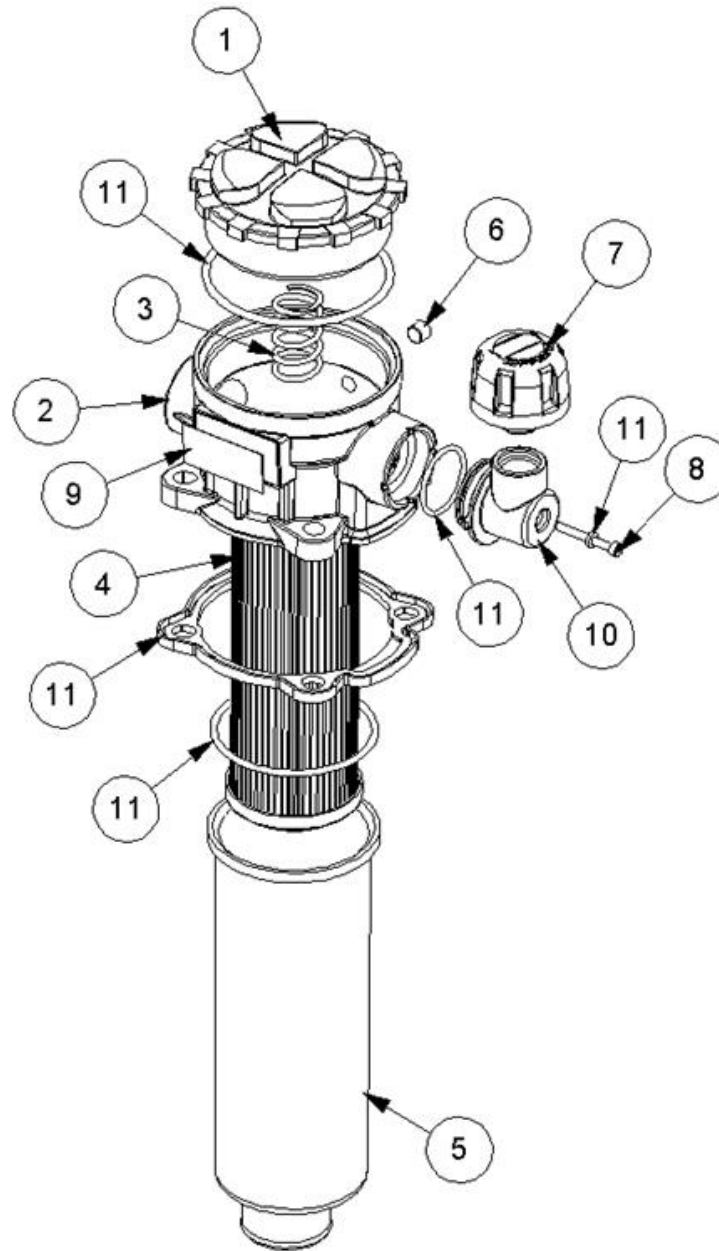
| Ref | Part No | Description | QTY |
|-----|----------|-------------|-----|
| 1 | 22852.02 | MAIN FRAME | 1 |
| 2 | 41203.05 | LEG | 2 |
| 3 | 1090051 | PIN | 2 |
| 4 | 21149.01 | BUSH | 2 |
| 5 | 41267.15 | PIN | 1 |
| 6 | 0431105 | PIN | 2 |
| 7 | 9313045 | SCREW | 1 |
| 8 | 9313046 | SCREW | 1 |
| 9 | 9313056 | SCREW | 3 |
| 10 | 7114289 | PTO SHAFT | 1 |
| 11 | 0431217 | LINCH PIN | 5 |
| 12 | 6310202 | PIN | 1 |
| 14 | 9100206 | WASHER | 4 |
| 15 | 0901121 | GREASER | 2 |
| 15 | T8117 | PIN | 2 |
| 16 | 42694.04 | GUARD | 1 |
| 17 | 9100205 | WASHER | 1 |

7434503 - TANK MOUDLE RH



| Ref | Part No | Description | QTY |
|-----|----------------|---------------------|-----|
| 1 | 41196.13 | W/ASSY RH TANK ASSY | 1 |
| 2 | 41196.55 | TANK STRAP | 1 |
| 3 | 9313065 | SCREW | 3 |
| 4 | 9313055 | SCREW | 1 |
| 5 | 9343075 | SCREW | 4 |
| 6 | 9313043 | SCREW | 3 |
| 7 | 9163005 | NUT | 4 |
| 9 | 8401168 | FILTER | 1 |
| 10 | 46505.01 | HOLDER | 1 |
| 11 | 9100103 | WASHER | 3 |
| 13 | 9113003 | NUT | 3 |
| 14 | 08.921.01 | FLUID LEVEL GAUGE | 1 |
| 15 | 8650310 | SEAL | 4 |

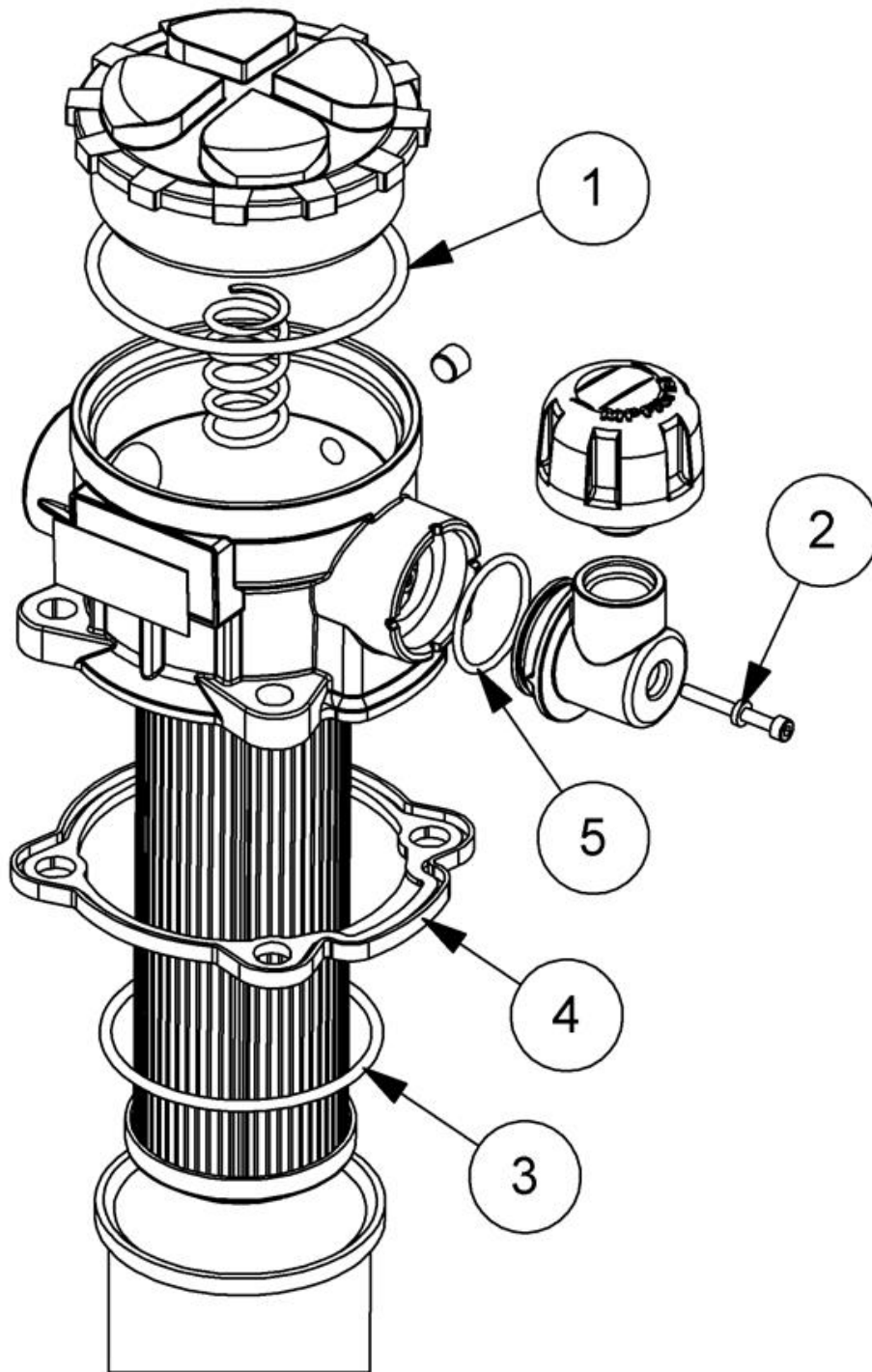
8401168 - FILTER



| Ref | Part No | Description | QTY |
|-----|------------|----------------------|-----|
| 1 | 212.013.04 | FILLER CAP | 1 |
| 2 | 8401187 | HOUSING | 1 |
| 3 | 8401158 | FILTER SPRING | 1 |
| 4 | 8401164 | USE 8401095 | 1 |
| 5 | 8401165 | FILTER BOWL | 1 |
| 6 | 8401166 | FILTER GRUB SCREW | 1 |
| 7 | 8401182 | BREATHER CAP+FILTER | 1 |
| 8 | 8401184 | CAP SCREW | 1 |
| 9 | 8401167 | IDENTIFICATION PLATE | 1 |

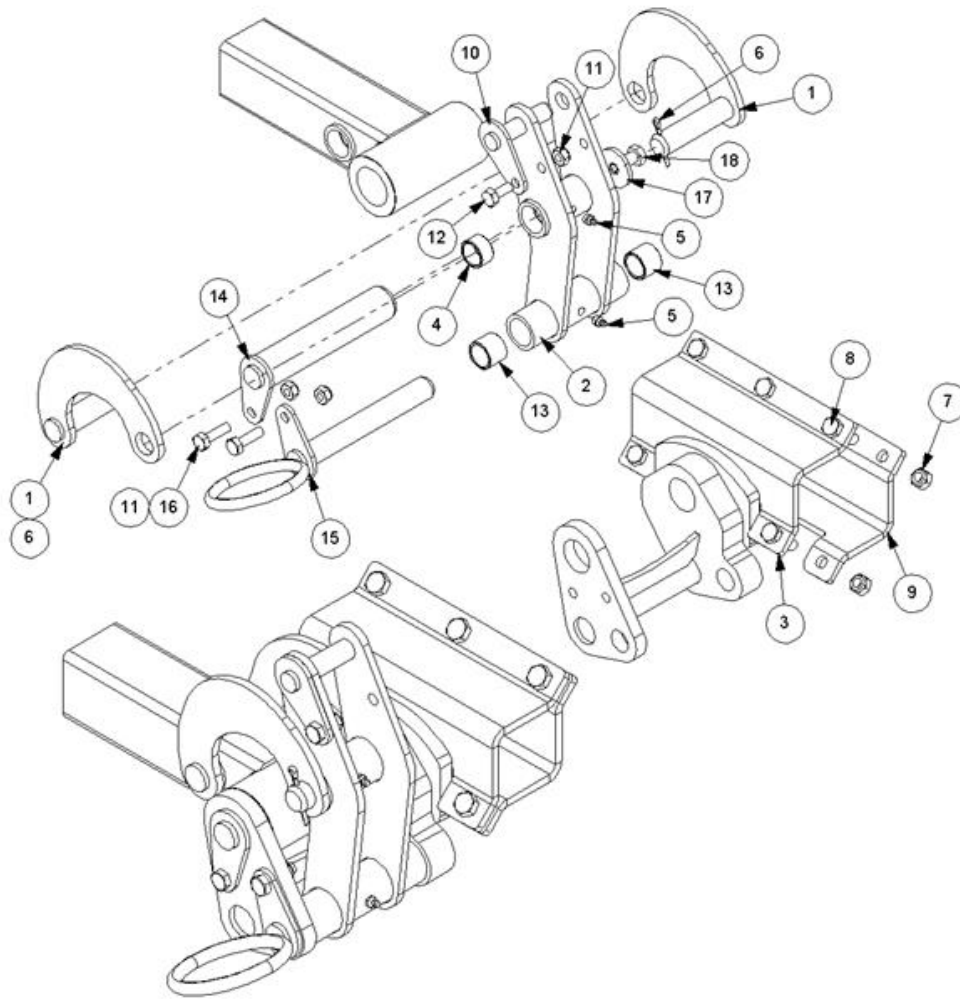
| Ref | Part No | Description | QTY |
|-----|----------------|-----------------|-----|
| 10 | 8401183 | ELBOW | 1 |
| 11 | 8699294 | FILTER SEAL KIT | 0 |

8699294 - FILTER SEAL KIT



| Ref | Part No | Description | QTY |
|-----|---------|--------------------------------|-----|
| 1 | 8700092 | O RING | 1 |
| 2 | 8401186 | CAP SCREW SEAL | 1 |
| 3 | 8700235 | O RING | 1 |
| 4 | 8401188 | SEAL NOT AVAILABLE USE 8699294 | 1 |
| 5 | 8401185 | ORING SEAL | 1 |

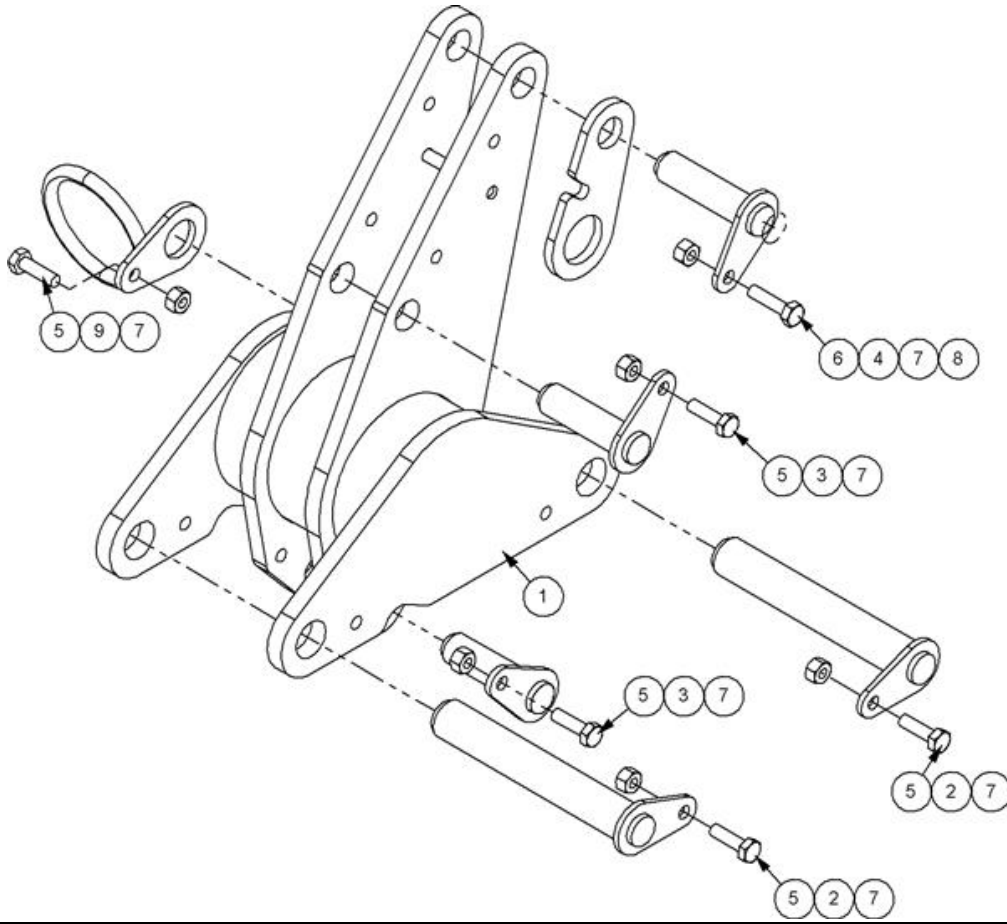
7434511 - ANGLING GEAR



| Ref | Part No | Description | QTY |
|-----|----------|-------------------|-----|
| 1 | 41206.02 | RADIUS ARM TYPE 2 | 2 |
| 2 | 41207.03 | SLAVE LINK | 1 |
| 3 | 41261.15 | BRACKET -RH | 1 |
| 4 | 7214060 | BUSH | 2 |
| 5 | 0901121 | GREASER | 2 |
| 6 | 9501406 | PIN | 2 |
| 7 | 9163006 | NUT | 5 |
| 8 | 9313086 | SCREW | 5 |
| 9 | 21873.01 | PLATE | 1 |
| 10 | 41270.01 | PIN | 1 |
| 11 | 9163005 | NUT | 3 |
| 12 | 9313055 | SCREW | 1 |
| 13 | 41690.01 | BUSH | 2 |
| 14 | 21971.02 | PIN | 1 |
| 15 | 21970.02 | PIN | 1 |
| 16 | 9313075 | SCREW | 2 |

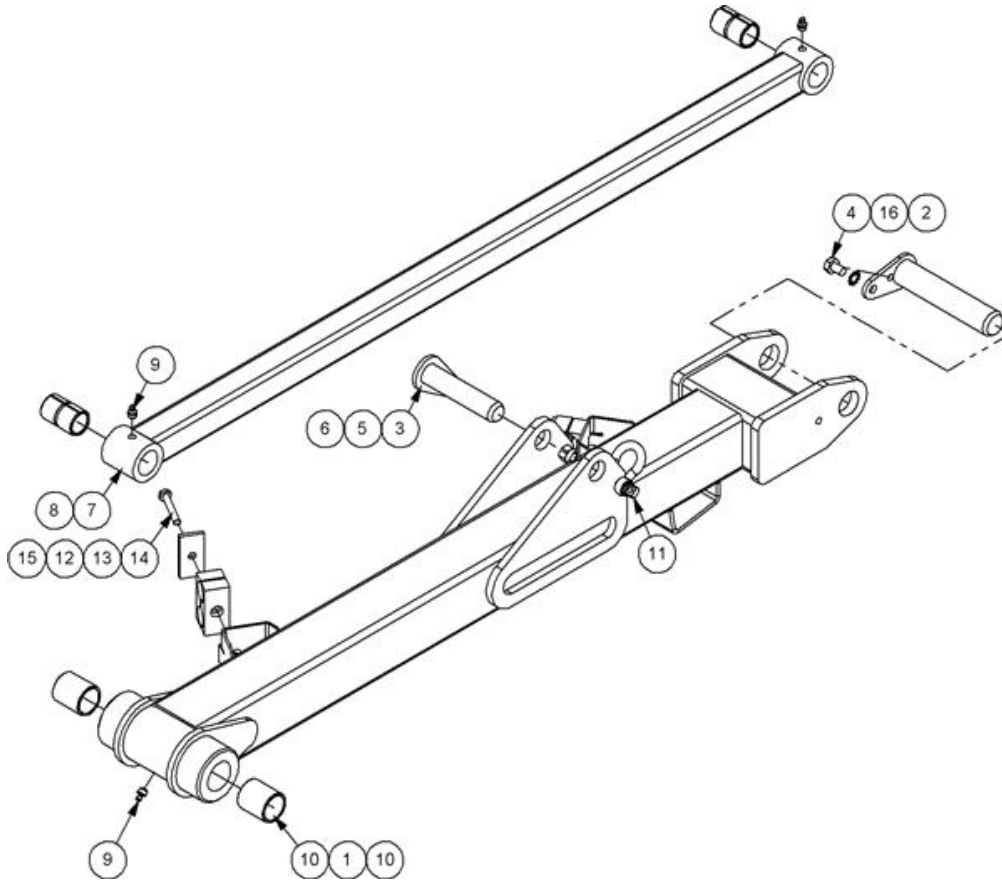
| Ref | Part No | Description | QTY |
|-----|-----------|-------------|-----|
| 17 | 05.234.01 | WASHER | 1 |
| 18 | 9300149 | SCREW | 1 |

7434514 - ROCKER MODULE



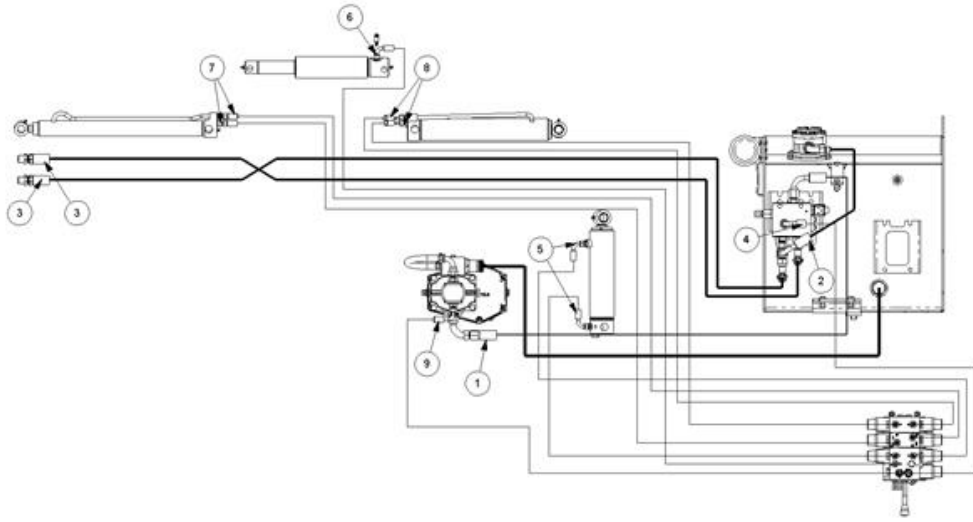
| Ref | Part No | Description | QTY |
|-----|----------|--------------|-----|
| 1 | 41198.08 | ROCKER | 1 |
| 2 | 41268.02 | PIN | 2 |
| 3 | 41267.09 | PIN | 2 |
| 4 | 41267.03 | PIN | 1 |
| 5 | 9313075 | SCREW | 5 |
| 6 | 9313085 | SCREW | 1 |
| 7 | 9163005 | NUT | 6 |
| 8 | 22667.02 | SLINGING EYE | 1 |
| 9 | 43158.02 | LOOP | 1 |

7434517 - MAIN ARM MODULE



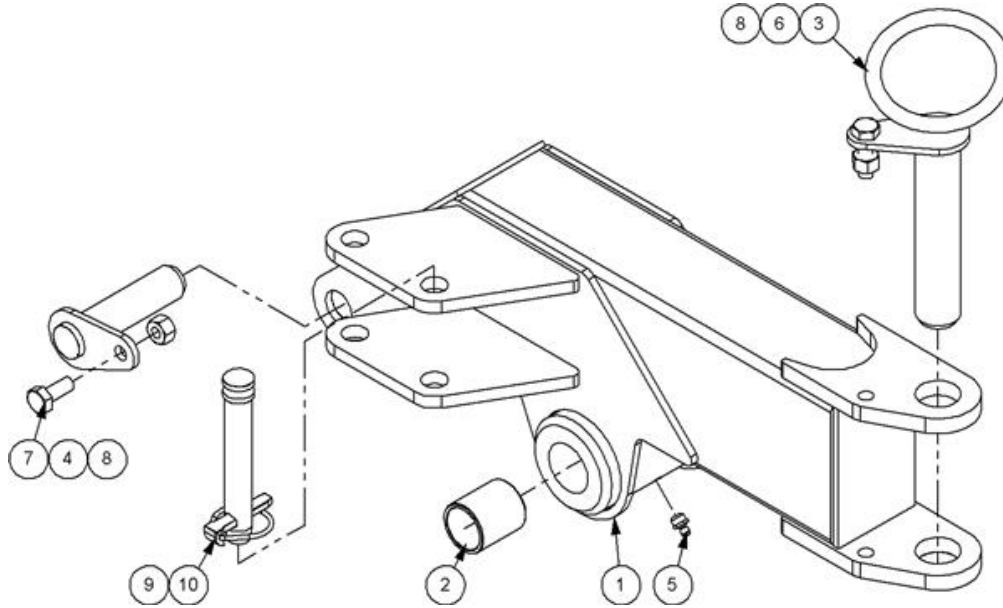
| Ref | Part No | Description | QTY |
|-----|-----------|--------------|-----|
| 1 | 41199.09 | MAIN ARM | 1 |
| 2 | 41268.01 | PIN | 1 |
| 3 | 41267.04 | PIN | 1 |
| 4 | 9313035 | SCREW | 1 |
| 5 | 9313065 | SCREW | 1 |
| 6 | 9163005 | NUT | 1 |
| 7 | 22887.01 | TENSION LINK | 1 |
| 8 | 7105050 | BUSH | 2 |
| 9 | 0901121 | GREASER | 3 |
| 10 | 21149.01 | BUSH | 2 |
| 12 | 06.430.09 | CLAMP PAIR | 2 |
| 13 | 06.418.03 | PLATE | 2 |
| 14 | 9213114 | BOLT | 2 |
| 15 | 9163004 | NUT | 2 |
| 16 | 9100205 | WASHER | 1 |

743452204 - HOSE KIT



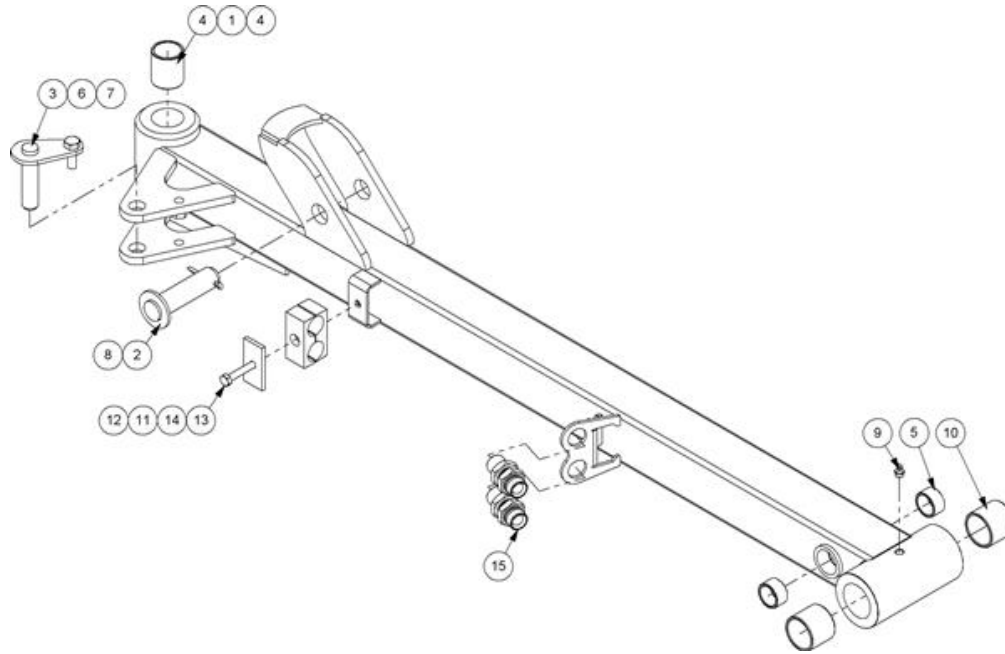
| Ref | Part No | Description | QTY |
|-----|-----------|-------------|-----|
| 1 | 10.008.22 | HOSE | 1 |
| 2 | 10.008.16 | HOSE | 1 |
| 3 | 10.081.42 | HOSE | 2 |
| 4 | 10.006.12 | HOSE | 1 |
| 5 | 10.002.19 | HOSE | 2 |
| 6 | 10.002.39 | HOSE | 1 |
| 7 | 10.001.39 | HOSE | 2 |
| 8 | 10.017.31 | HOSE | 2 |
| 9 | 10.004.14 | HOSE | 1 |

7434525 - DIPPER MODULE



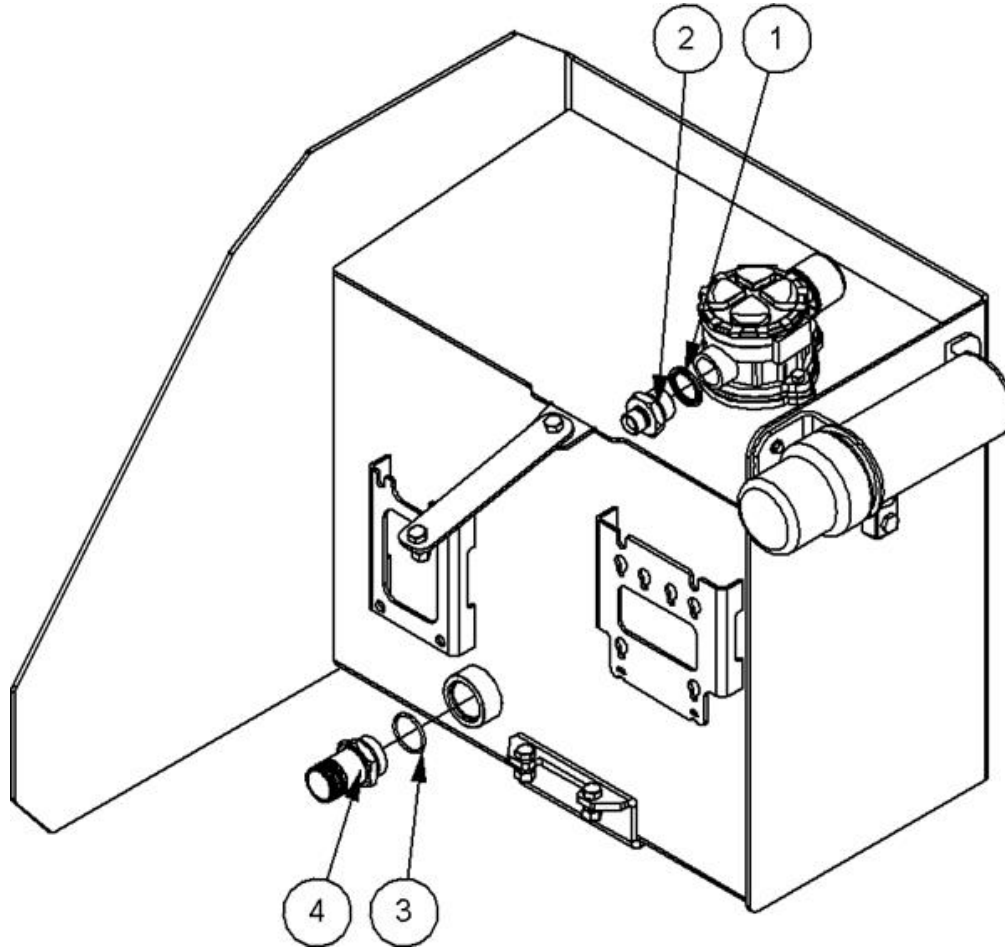
| Ref | Part No | Description | QTY |
|-----|----------|---------------------|-----|
| 1 | 41201.08 | W/ASSY DIPPER UPPER | 1 |
| 2 | 21149.01 | BUSH | 2 |
| 3 | 41269.01 | PIN | 1 |
| 4 | 41267.03 | PIN | 1 |
| 5 | 0901121 | GREASER | 1 |
| 6 | 9313075 | SCREW | 1 |
| 7 | 9313055 | SCREW | 1 |
| 8 | 9163005 | NUT | 2 |
| 9 | 6310202 | PIN | 1 |
| 10 | 0431217 | LINCH PIN | 1 |

7434533 - MODULE DIPPER RH



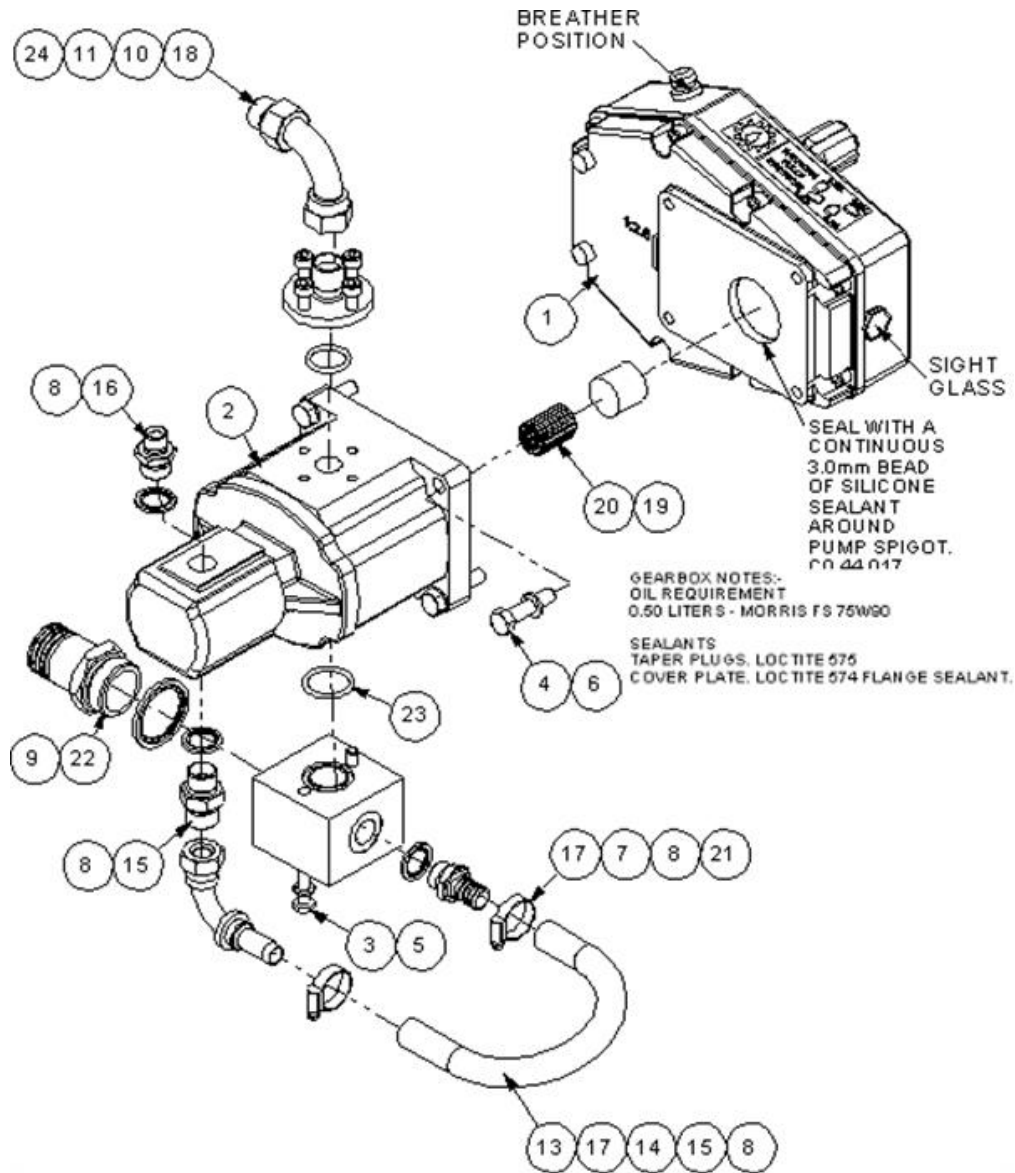
| Ref | Part No | Description | QTY |
|-----|-----------|----------------------|-----|
| 1 | 41202.06 | USE 41202.06Y OR.06B | 1 |
| 2 | 7191041 | PIN | 1 |
| 3 | 41270.01 | PIN | 1 |
| 4 | 21149.01 | BUSH | 2 |
| 5 | 7214060 | BUSH | 2 |
| 6 | 9313065 | SCREW | 1 |
| 7 | 9163005 | NUT | 1 |
| 8 | 9501406 | PIN | 1 |
| 9 | 0901121 | GREASER | 3 |
| 10 | 7213023 | BUSH | 2 |
| 11 | 06.430.09 | CLAMP PAIR | 1 |
| 12 | 9163004 | NUT | 1 |
| 13 | 9213114 | BOLT | 1 |
| 14 | 06.418.03 | PLATE | 1 |

7434540 - TANK FITTINGS



| Ref | Part No | Description | QTY |
|-----|---------|-------------|-----|
| 1 | 8650108 | SEAL | 1 |
| 2 | 8581378 | ADAPTOR | 1 |
| 3 | 8700784 | "O" RING | 1 |
| 4 | 8581260 | ADAPTOR | 1 |

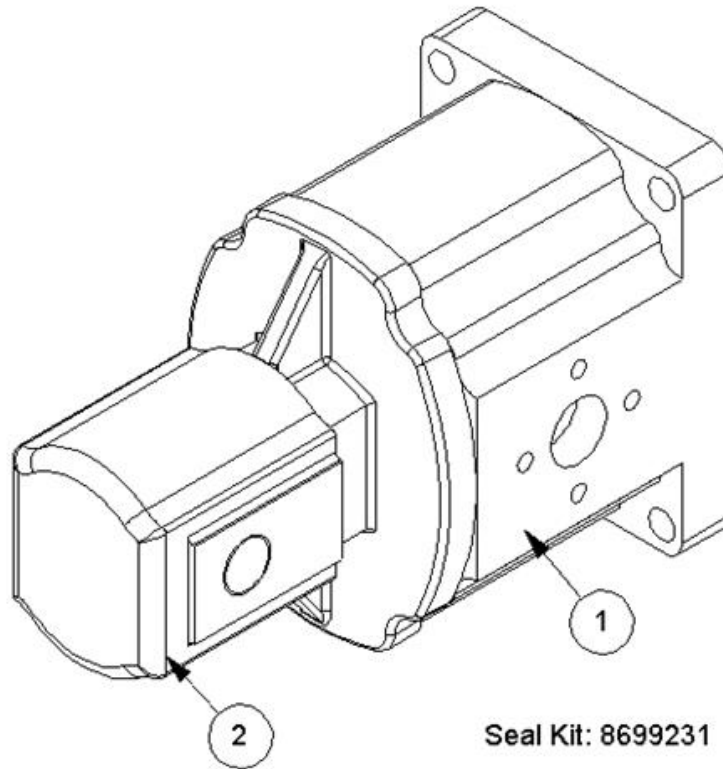
7434542 - PUMP AND GEARBOX



| Ref | Part No | Description | QTY |
|-----|----------------|------------------------|-----|
| 1 | 8013624 | GEARBOX 1:2.6 | 1 |
| 1 | 8501010 | 5/8" RUBBER HOSE 250LG | 1 |
| 2 | 8201466 | PUMP | 1 |
| 3 | 9213144 | BOLT | 2 |
| 4 | 9213095 | BOLT | 4 |
| 5 | 9100204 | WASHER | 2 |
| 6 | 9100205 | WASHER | 4 |
| 7 | 8002059 | CONNECTION | 1 |
| 8 | 8650104 | SEAL | 3 |
| 9 | 8650109 | SEAL | 1 |
| 10 | 8013083 | CONNECTION | 1 |
| 11 | 9300147 | SCREW | 4 |
| 12 | 1290030 | DECAL | 1 |
| 14 | 8581173 | ELBOW | 1 |

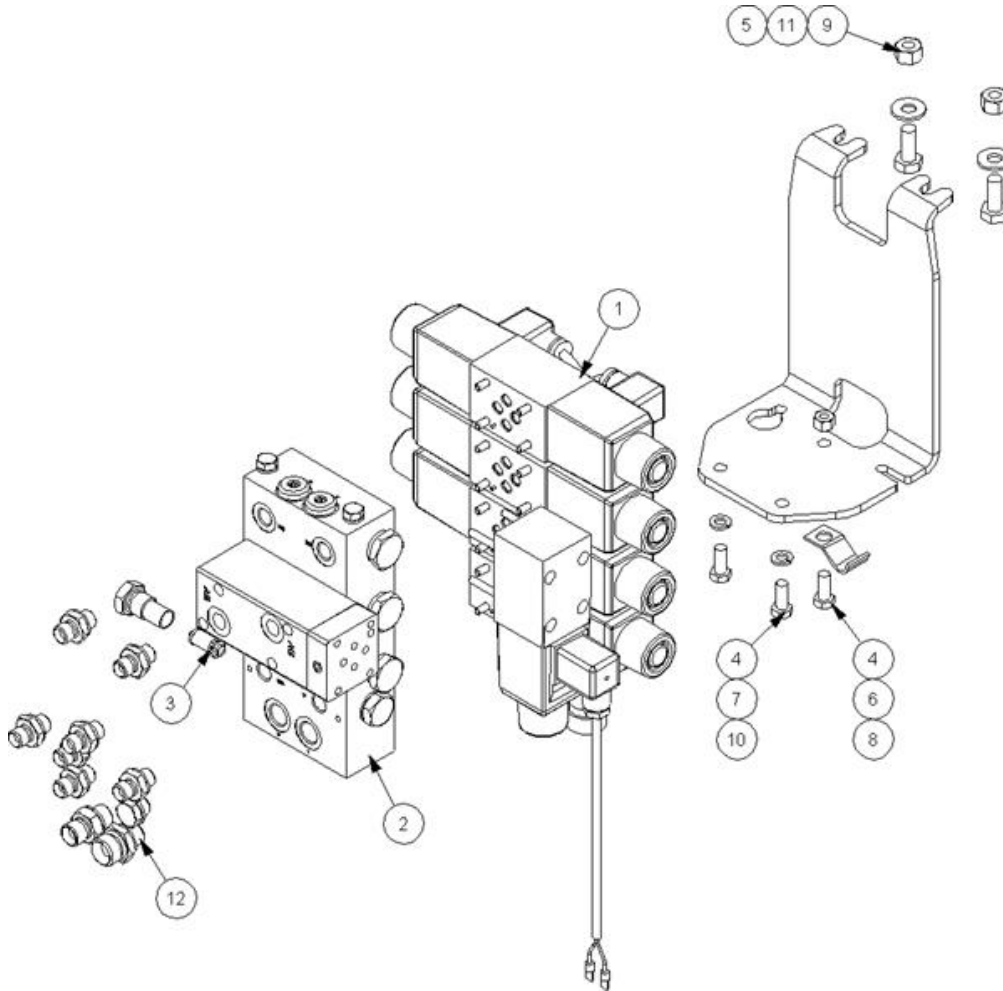
| Ref | Part No | Description | QTY |
|-----|----------|-------------|-----|
| 15 | G3812120 | ADAPTOR | 1 |
| 16 | 6000112 | ADAPTOR | 1 |
| 17 | 0904204 | CLIP | 2 |
| 18 | 8581565 | ADAPTOR | 1 |
| 19 | 42415.02 | SPACER | 1 |
| 20 | 8013097 | ADAPTOR | 1 |
| 21 | 8581577 | BLOCK | 1 |
| 22 | 8581260 | ADAPTOR | 1 |
| 23 | 8600122 | "O" RING | 1 |
| 24 | 8600119 | "O" RING | 1 |

8201466 - PUMP



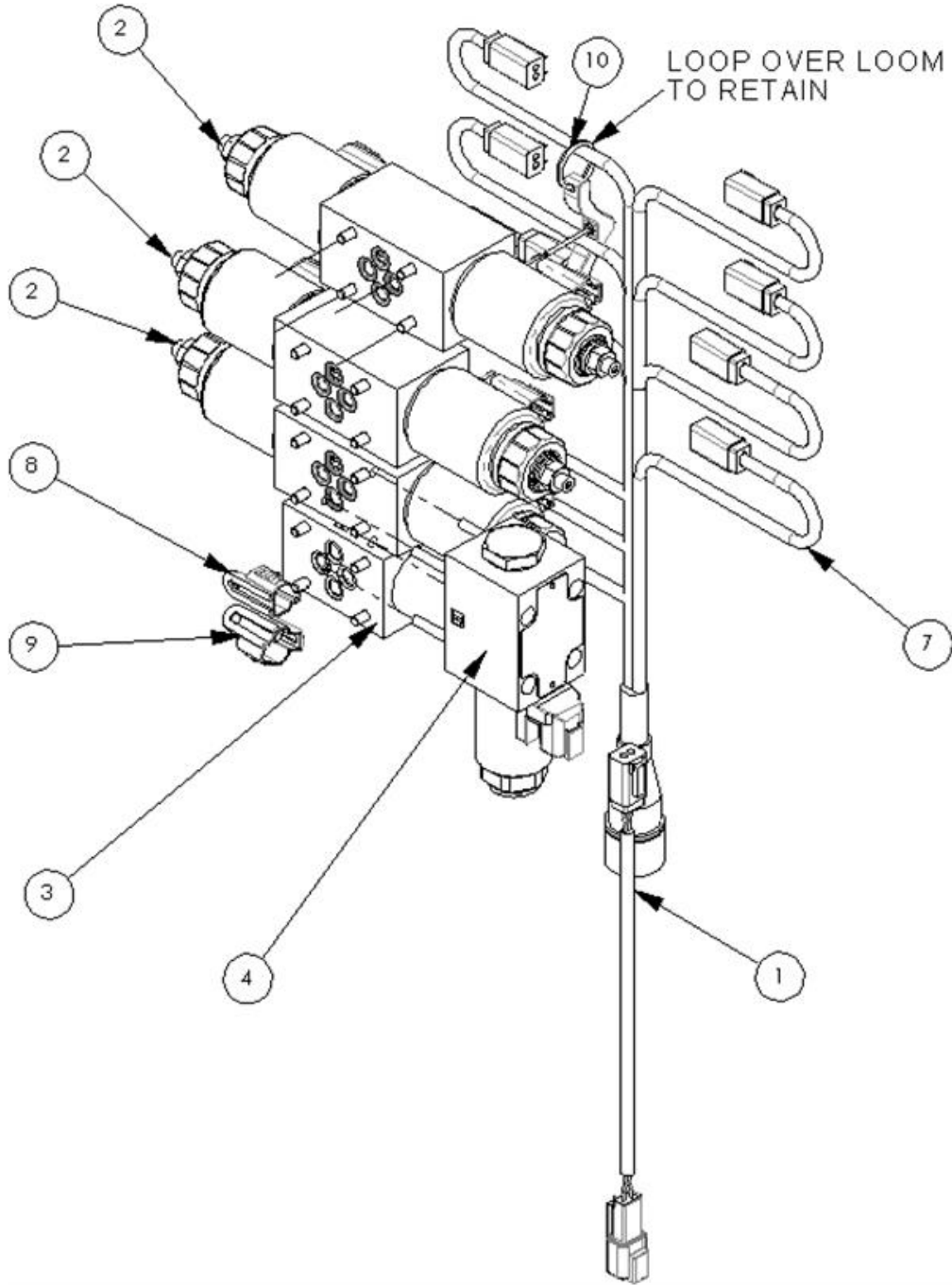
| Ref | Part No | Description | QTY |
|-----|---------|---------------------|-----|
| 1 | 8201684 | HYD PUMP F-HALF | 1 |
| 2 | 8201677 | PUMP REAR - 8201466 | 1 |
| 3 | 8699231 | SEAL KIT | 0 |

7434557 - ACV ASSY



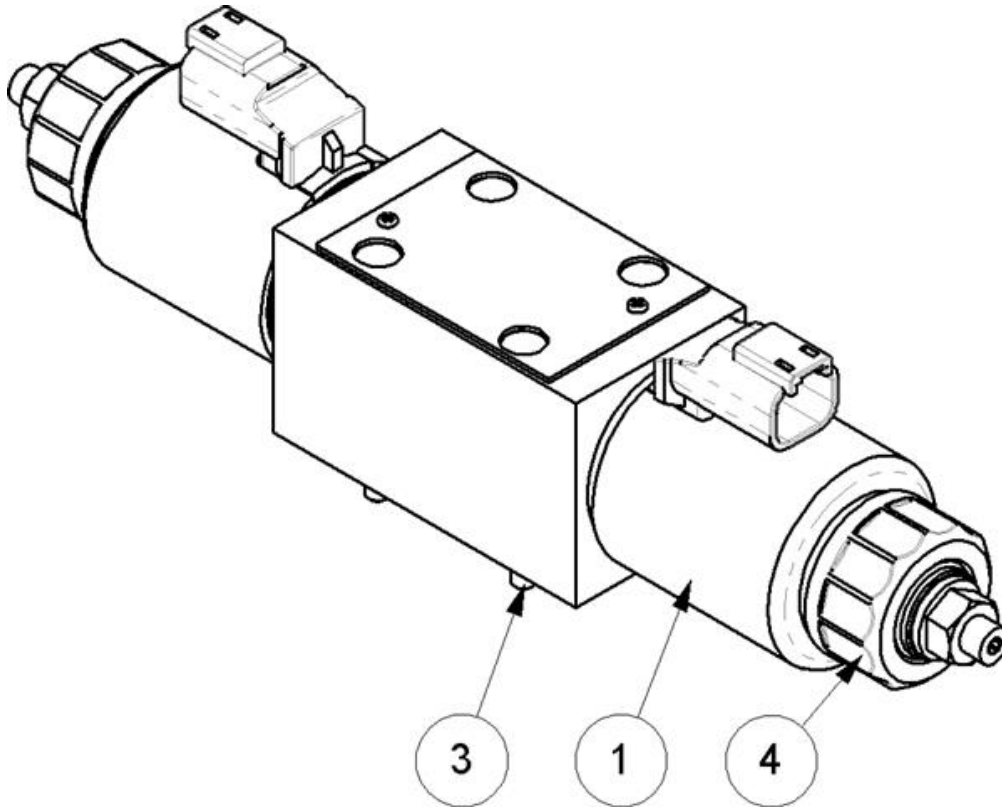
| Ref | Part No | Description | QTY |
|-----|-----------------|-----------------|-----|
| 1 | 22525.57 | SOLENOID | 1 |
| 2 | 22523.20 | MANIFOLD ASSY | 1 |
| 3 | 8130029 | VALVE | 1 |
| 4 | 9313044 | SCREW | 5 |
| 5 | 9313055 | SCREW | 2 |
| 6 | 7109151 | CLAMP | 1 |
| 7 | 9100204 | WASHER | 4 |
| 8 | 9163004 | NUT | 1 |
| 9 | 9163005 | NUT | 2 |
| 10 | 41196.57 | VALVE MTG PLATE | 1 |
| 11 | 9100105 | WASHER | 2 |
| 12 | 22524.48 | ADAPTOR KIT | 1 |

22525.57 - SOLENOID



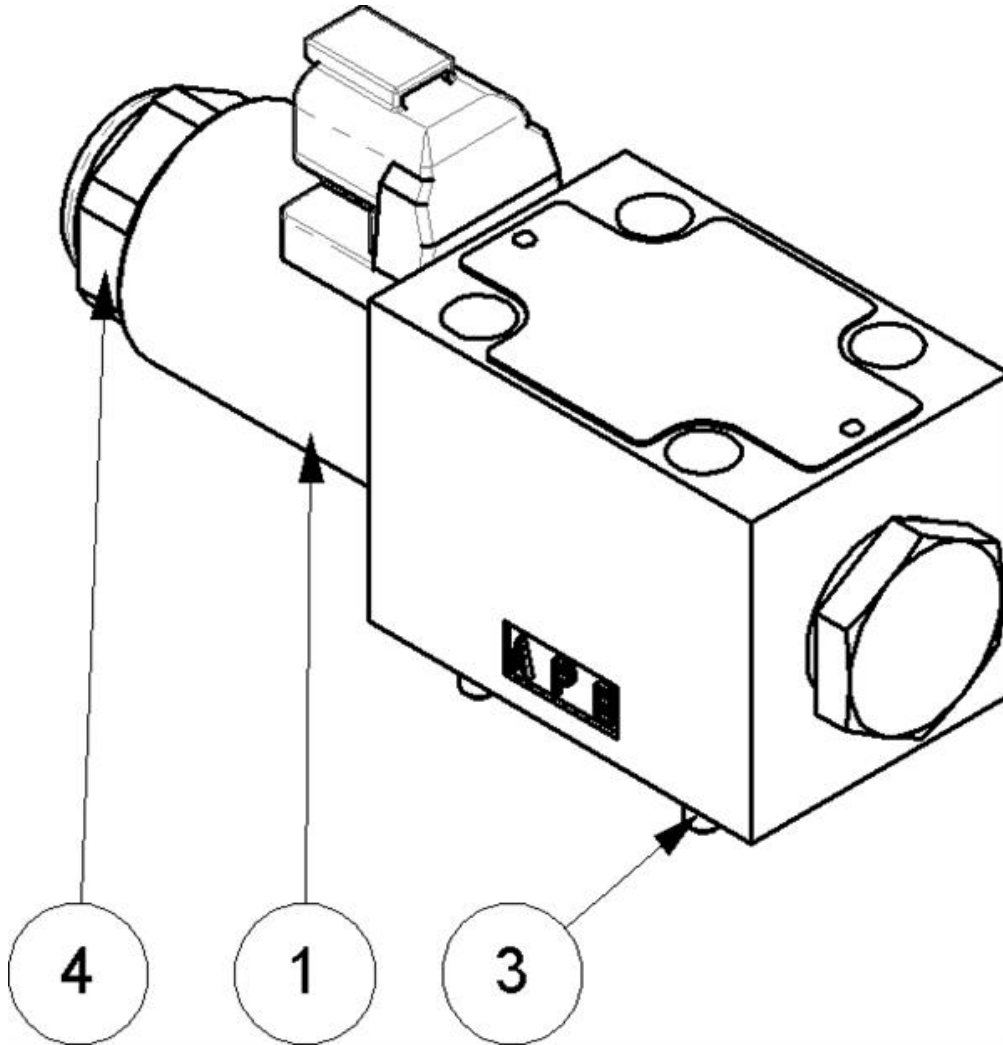
| Ref | Part No | Description | QTY |
|-----|-----------------|-------------------------------|-----|
| 1 | 41844.34 | LOOM ANGLE FLOAT DT CONNECTOR | 1 |
| 2 | 23550.11 | PROP DCV | 3 |
| 3 | 23550.13 | VALVE | 1 |
| 4 | 23550.15 | DCV | 1 |
| 7 | 41844.27 | LOOM 14 CORE 19WAY PLUG DT | 1 |
| 8 | 45594.41 | SEALING CAP | 1 |
| 9 | 45594.42 | SEALING CAP | 1 |
| 22 | 23550.18 | TOOL - MANUAL SOL. OPERATION | 1 |

23550.11 - PROP DCV



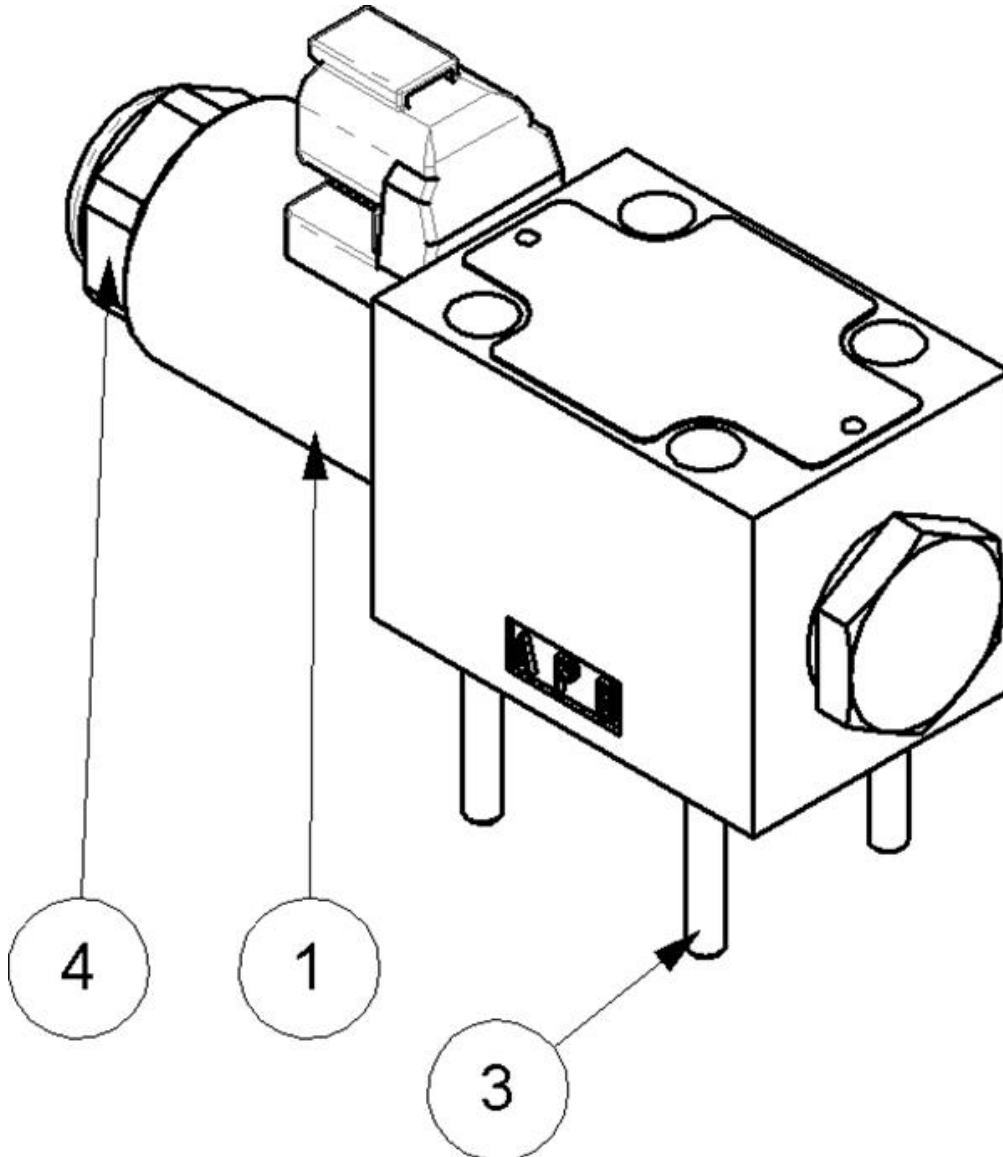
| Ref | Part No | Description | QTY |
|-----|----------|-------------|-----|
| 1 | 23550.37 | PROP COIL | 2 |
| 2 | 23550.32 | SEAL KIT | 1 |
| 3 | 9200076 | CAP SCREW | 4 |
| 4 | 23550.35 | COIL NUT | 2 |

23550.13 - VALVE



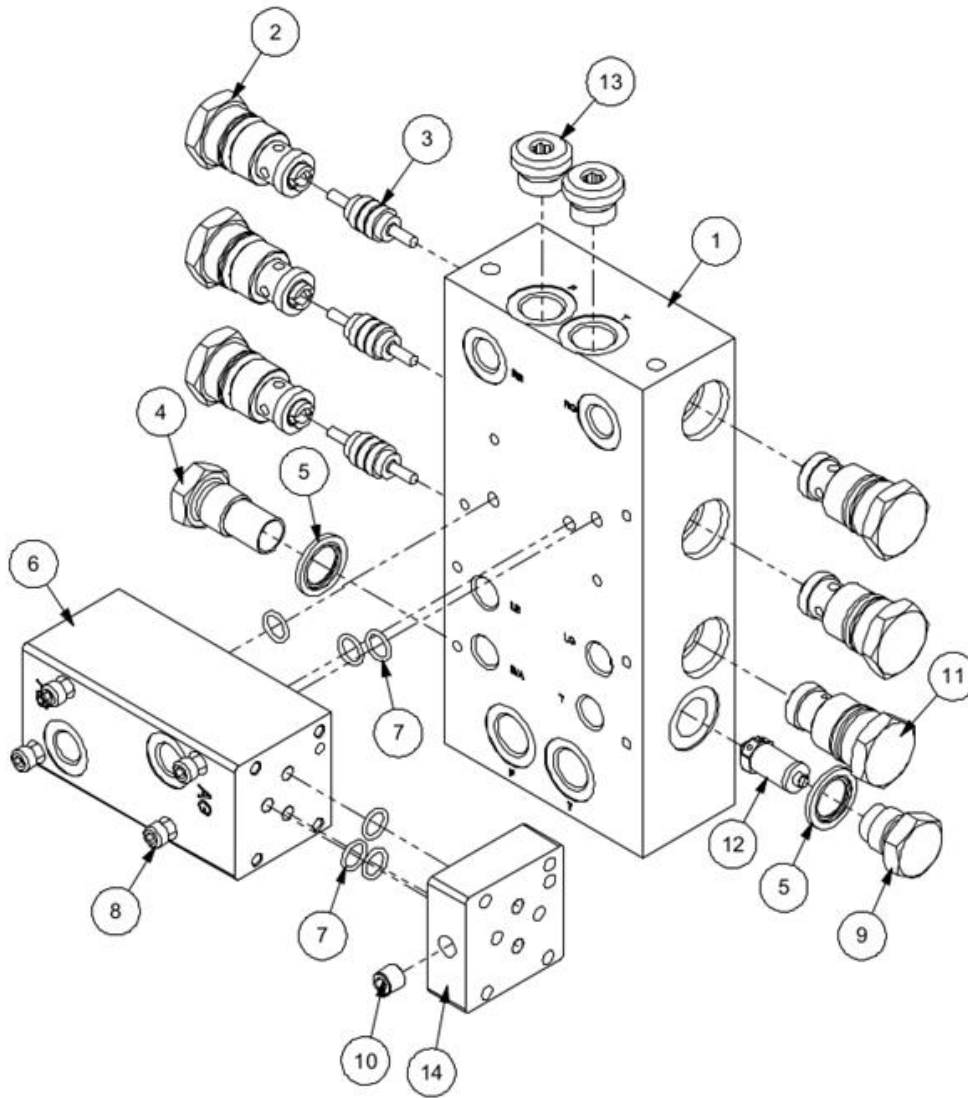
| Ref | Part No | Description | QTY |
|-----|----------|-------------|-----|
| 1 | 23550.38 | COIL | 1 |
| 2 | 23550.34 | SEAL KIT | 1 |
| 3 | 9200077 | CAP SCREW | 4 |
| 4 | 23550.36 | COIL NUT | 1 |

23550.15 - DCV



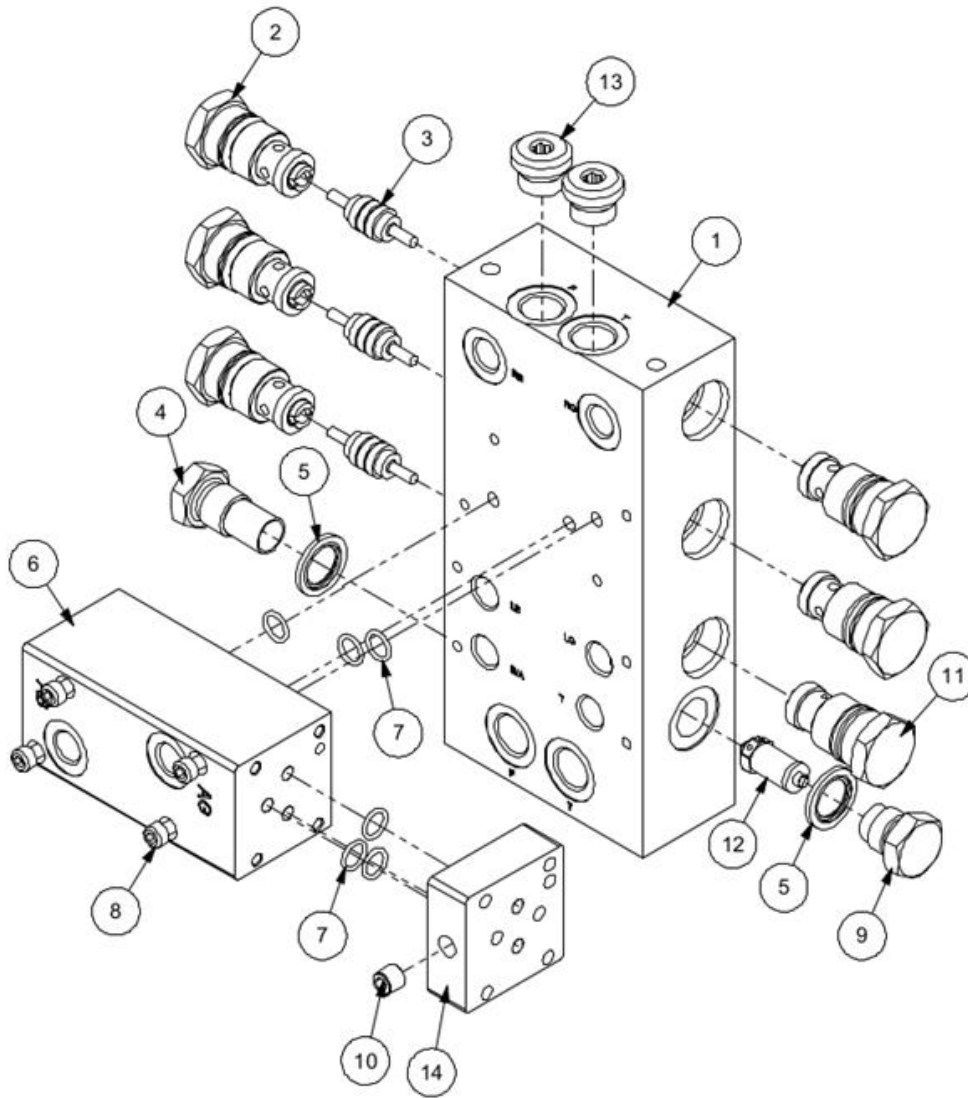
| Ref | Part No | Description | QTY |
|-----|----------|-------------|-----|
| 1 | 23550.38 | COIL | 1 |
| 2 | 23550.34 | SEAL KIT | 1 |
| 3 | 9200078 | CAP SCREW | 4 |
| 4 | 23550.36 | COIL NUT | 1 |

22523.20 - MANIFOLD ASSY



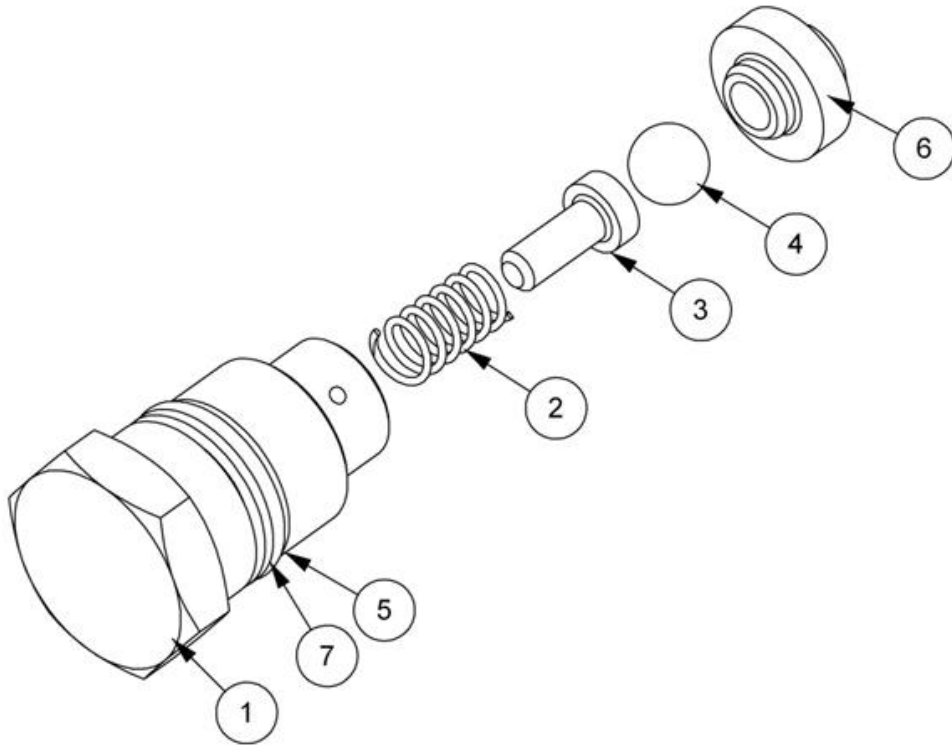
| Ref | Part No | Description | QTY |
|-----|----------------|-----------------|-----|
| 1 | 8132309 | MANIFOLD 3 BANK | 1 |
| 2 | 8130090 | VALVE | 5 |
| 3 | 8130087 | ACTUATOR | 3 |
| 4 | 8130032 | CAP | 1 |
| 5 | 8650103 | SEAL | 2 |
| 6 | 8126333 | BLOCK | 1 |
| 7 | 8700511 | "O" RING | 6 |
| 8 | 9243082 | SCREW | 4 |
| 9 | 8130031 | CAP | 1 |
| 10 | 8582041 | PLUG | 2 |
| 11 | 8130354 | VALVE | 1 |
| 12 | 8130164 | VALVE | 1 |
| 13 | 8581436 | ADAPTOR | 2 |
| 14 | 8126334 | PLATE | 1 |

8132309 - MANIFOLD 3 BANK



| Ref | Part No | Description | QTY |
|-----|----------|-------------|-----|
| 1 | 81303035 | BLOCK | 1 |

8130090 - VALVE

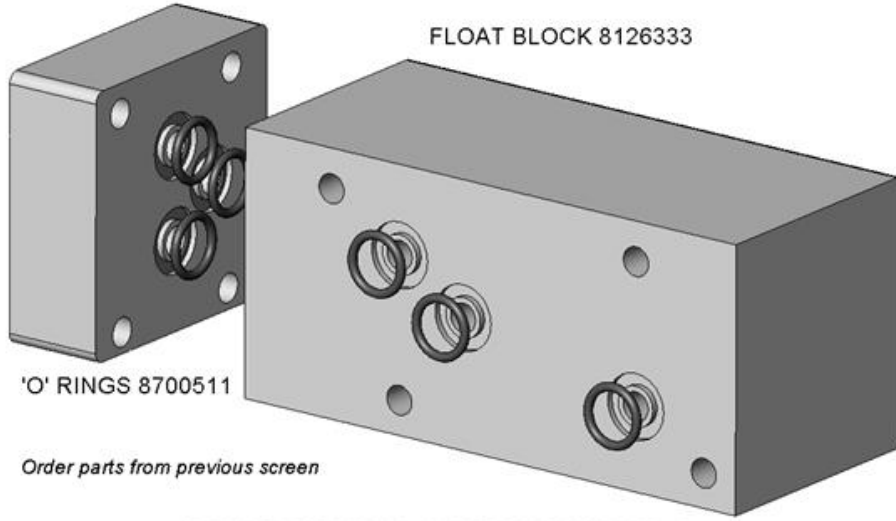


| Ref | Part No | Description | QTY |
|-----|---------|---------------|-----|
| 1 | 8130025 | CAP | 1 |
| 2 | 8114045 | SPRING | 1 |
| 3 | 8130089 | GUIDE | 1 |
| 4 | 0905509 | BALL | 1 |
| 5 | 8700644 | "O" RING | 1 |
| 6 | 8130088 | SEAT | 1 |
| 7 | 8709644 | ANTI.EXT.RING | 1 |

8126333 - BLOCK

BRIDGING PLATE 8126334

FLOAT BLOCK 8126333



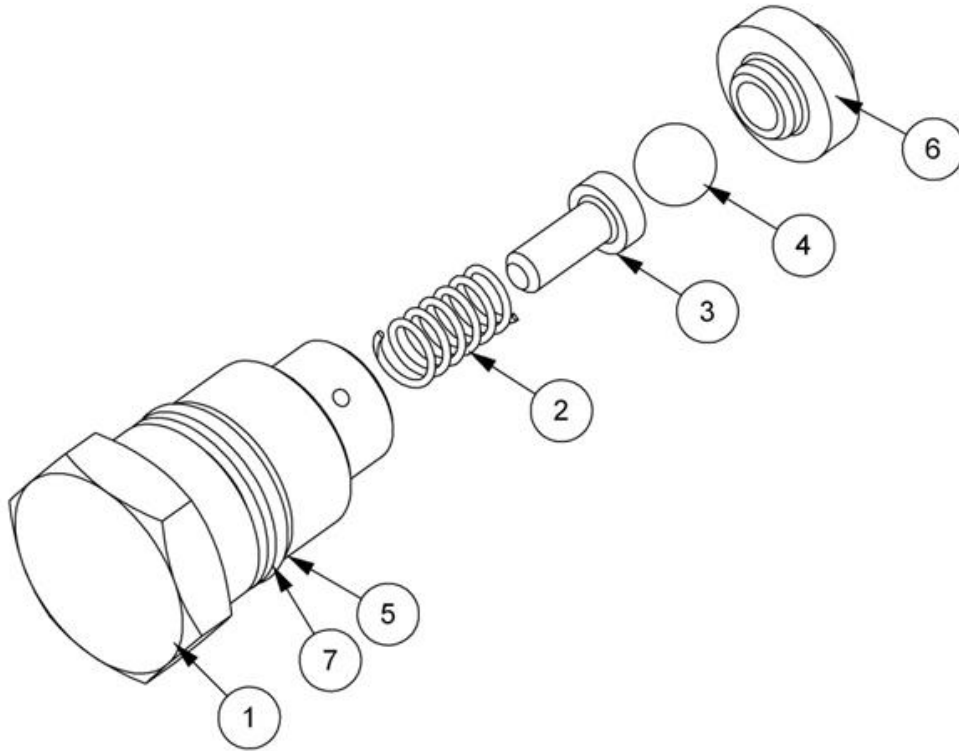
'O' RINGS 8700511

Order parts from previous screen

IDENTIFICATION & LOCATION OF 'O' RINGS

| Ref | Part No | Description | QTY |
|-----|---------|---------------|-----|
| 1 | 0036 | BRIGHT SQUARE | 116 |

8130354 - VALVE

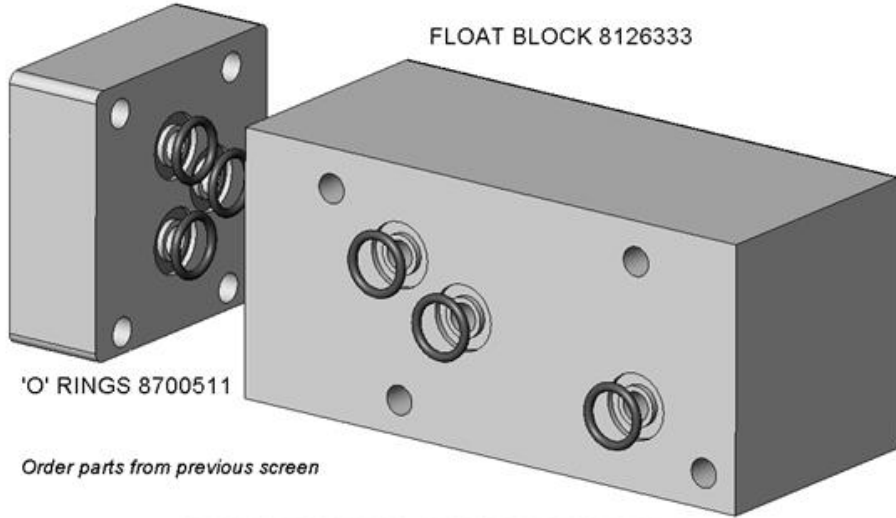


| Ref | Part No | Description | QTY |
|-----|---------|---------------|-----|
| 1 | 8130209 | CAP | 1 |
| 2 | 8114045 | SPRING | 1 |
| 3 | 8130089 | GUIDE | 1 |
| 4 | 0905509 | BALL | 1 |
| 5 | 8700644 | "O" RING | 1 |
| 6 | 8130088 | SEAT | 1 |
| 7 | 8709644 | ANTI.EXT.RING | 1 |

8126334 - PLATE

BRIDGING PLATE 8126334

FLOAT BLOCK 8126333



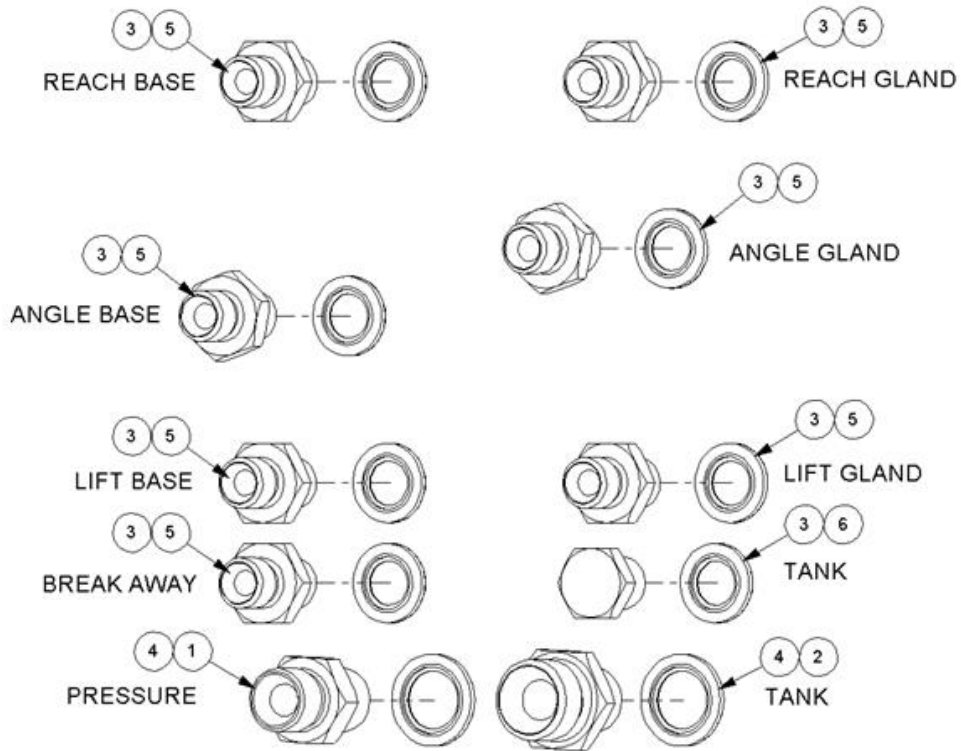
'O' RINGS 8700511

Order parts from previous screen

IDENTIFICATION & LOCATION OF 'O' RINGS

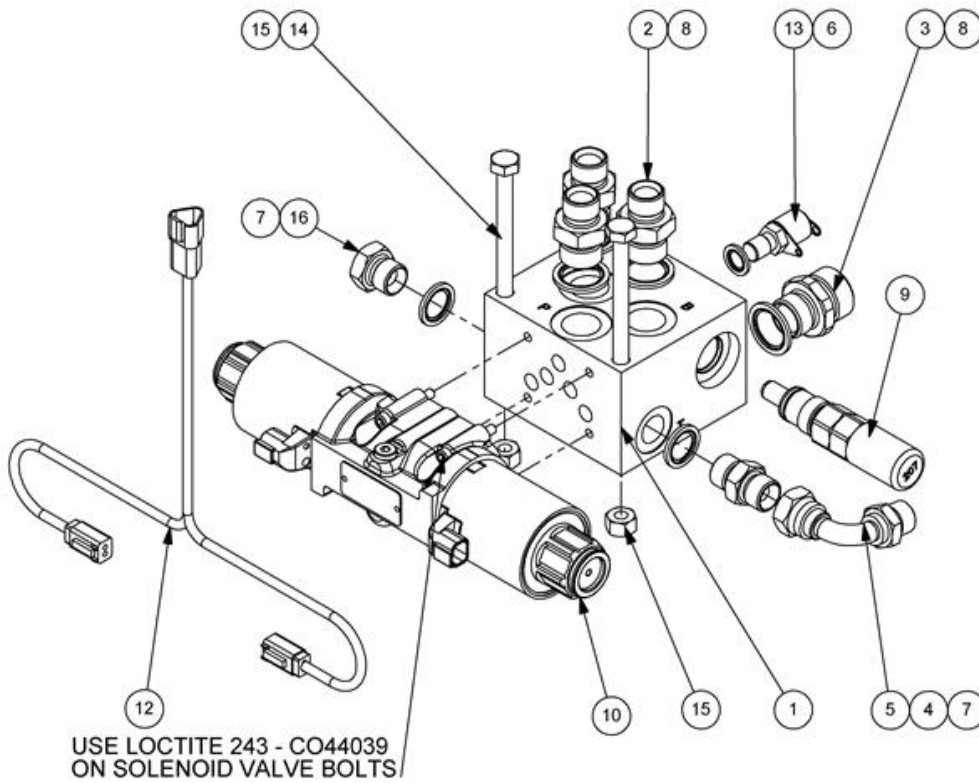
| Ref | Part No | Description | QTY |
|-----|---------|---------------|-----|
| 1 | 0036 | BRIGHT SQUARE | 26 |

22524.48 - ADAPTOR KIT



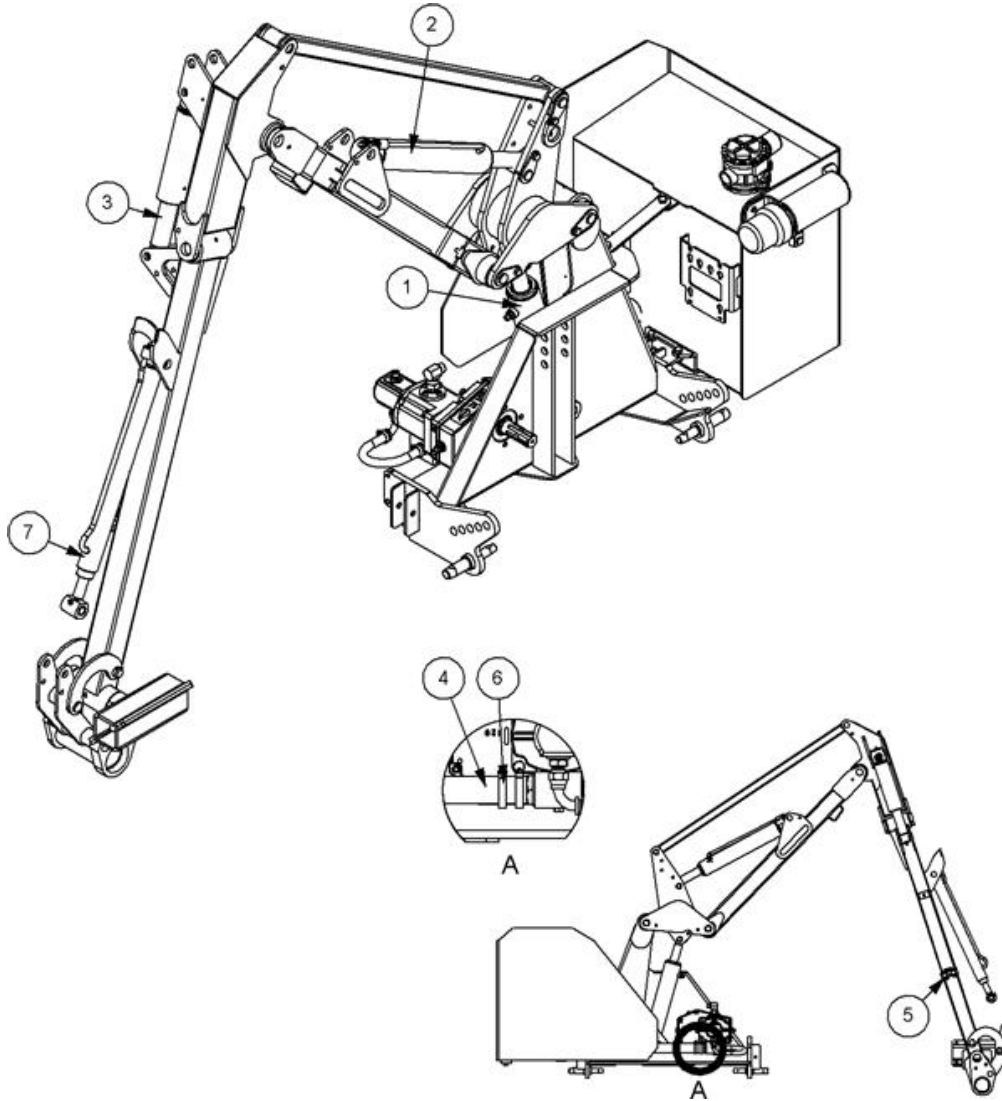
| Ref | Part No | Description | QTY |
|-----|---------|-------------|-----|
| 1 | 6000113 | ADAPTOR | 1 |
| 2 | 6000112 | ADAPTOR | 1 |
| 3 | 8650102 | SEAL | 8 |
| 4 | 8650103 | SEAL | 2 |
| 5 | 8581169 | ADAPTOR | 7 |
| 6 | 520378 | ADAPTOR | 1 |

7434566 - RCV ASSY



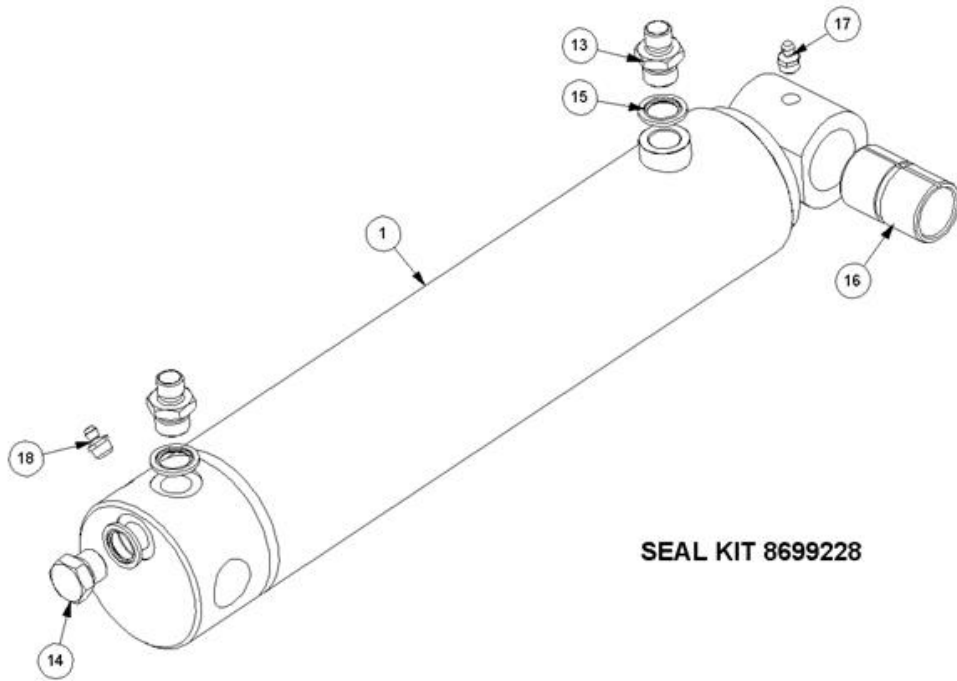
| Ref | Part No | Description | QTY |
|-----|-----------|------------------------------|-----|
| 1 | 8132271 | BLOCK | 1 |
| 2 | 8581270 | ADAPTOR | 3 |
| 3 | 8002086 | ADAPTOR | 1 |
| 4 | 8581110 | ADAPTOR | 1 |
| 5 | 8581215 | ADAPTOR | 1 |
| 6 | 8650102 | SEAL | 1 |
| 7 | 8650104 | SEAL | 2 |
| 8 | 8650106 | SEAL | 4 |
| 9 | 8125095 | CARTRIDGE | 1 |
| 10 | 23550.19 | DIRECTIONAL VALVE | 1 |
| 12 | 41844.49 | REVERSING MOTOR CONTROL LOOM | 1 |
| 13 | 8131008 | COUPLING | 1 |
| 14 | 9213205 | BOLT | 2 |
| 15 | 9163005 | NUT | 2 |
| 16 | 05.433.06 | ADAPTOR | 1 |

7434572 - HYD INST



| Ref | Part No | Description | QTY |
|-----|-----------------|---------------|-----|
| 1 | 41014.12 | RAM | 1 |
| 2 | 41015.03 | RAM ASSY | 1 |
| 3 | 41322.02 | RAM | 1 |
| 4 | 8501468 | HOSE | 1 |
| 5 | G3812119 | ADAPTOR | 2 |
| 6 | 0904107 | CLIP | 4 |
| 7 | 7191072 | RAM | 1 |
| 8 | 7196045 | HOSE TIE | 15 |
| 9 | 05.835.01 | ADAPTOR | 1 |
| 10 | 8581565 | ADAPTOR | 1 |
| 11 | 22591.21 | HOSE SLEEVING | 1 |

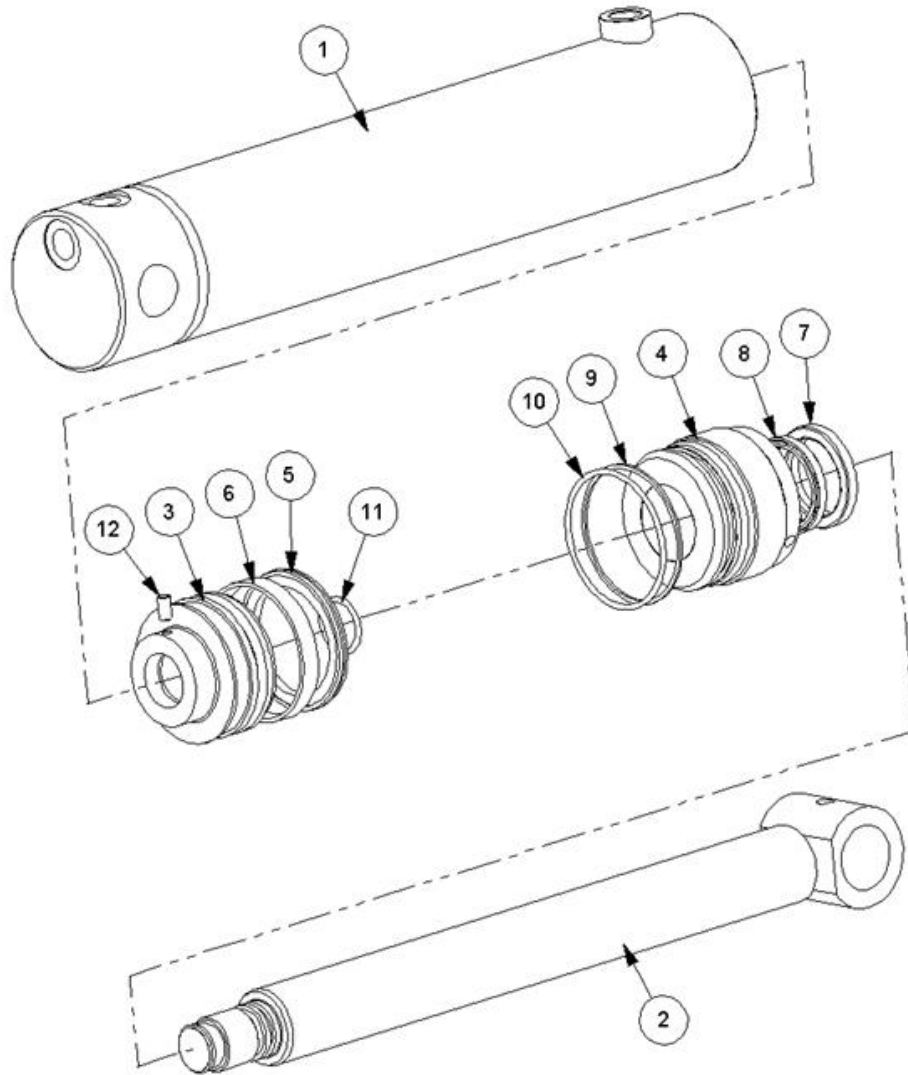
41014.12 - RAM



SEAL KIT 8699228

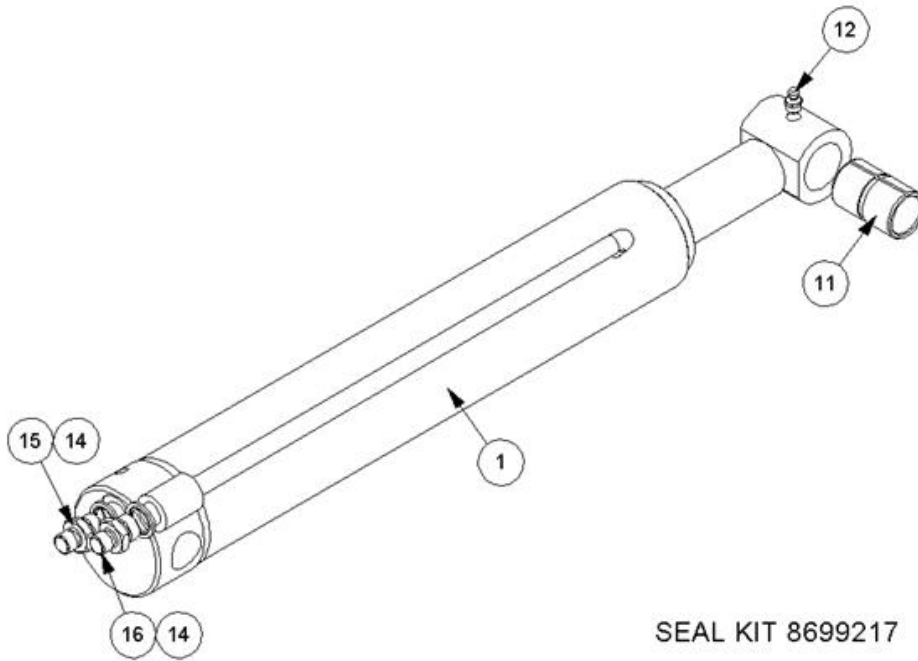
| Ref | Part No | Description | QTY |
|-----|-------------------|----------------|-----|
| 1 | 41014.12AP | LIFT/REACH RAM | 1 |
| 1 | 41014.12P | RAM -PAINTED | 0 |
| 1 | 8699228 | SEAL KIT | 0 |
| 13 | 8130048 | RESTRICTOR | 2 |
| 14 | 8003001 | PLUG | 1 |
| 15 | 8650103 | SEAL | 3 |
| 16 | 7105050 | BUSH | 1 |
| 17 | 0901121 | GREASER | 1 |
| 18 | 0901124 | GREASER | 1 |

41014.12AP - LIFT/REACH RAM



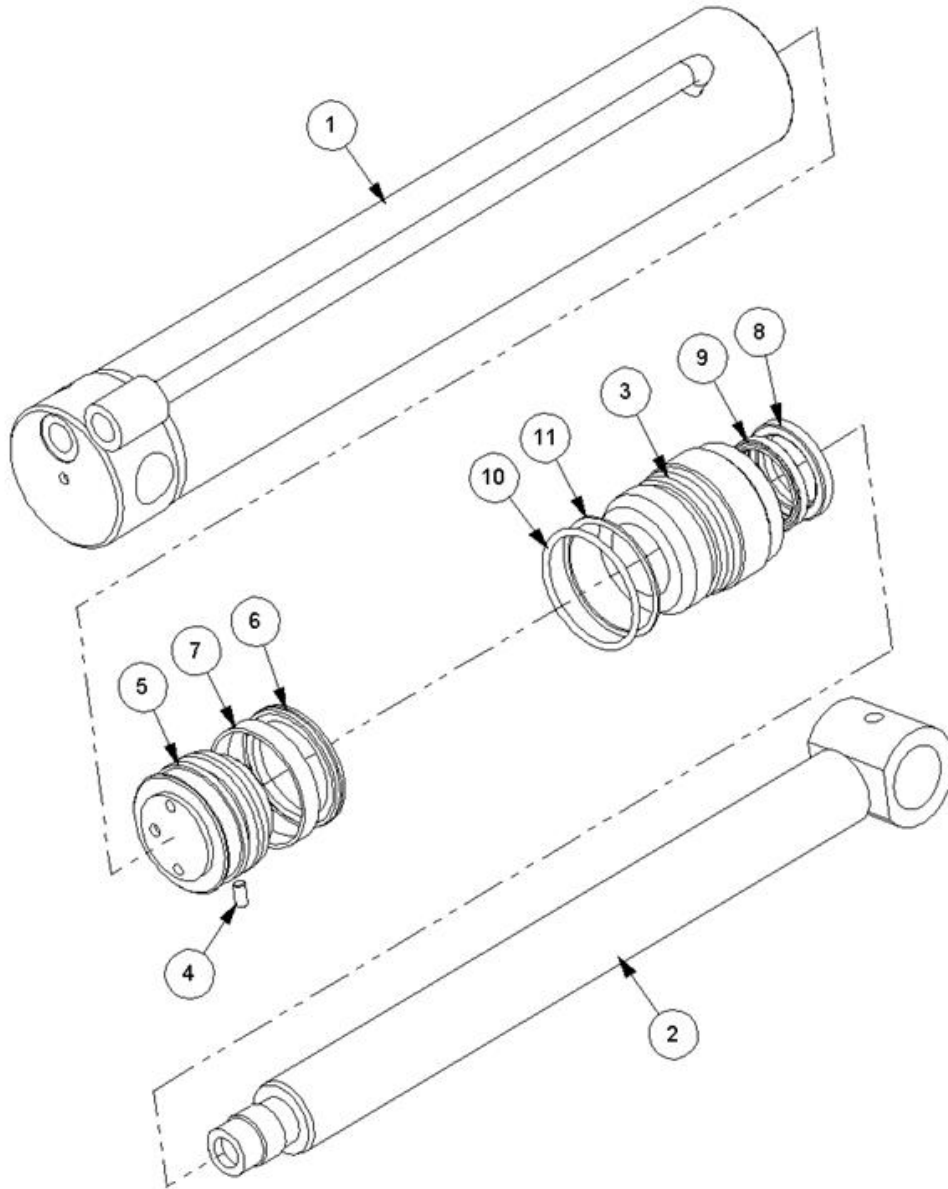
| Ref | Part No | Description | QTY |
|-----|----------|---------------|-----|
| 1 | 41034.03 | BARREL | 1 |
| 2 | 41035.03 | RAM ROD | 1 |
| 3 | 7120383 | PISTON | 1 |
| 4 | 7120384 | HOUSING | 1 |
| 5 | 8629189 | SEAL | 1 |
| 6 | 8629190 | SEAL | 1 |
| 7 | 8629147 | SEAL | 1 |
| 8 | 8629164 | SEAL | 1 |
| 9 | 8609429 | ANTI.EXT.RING | 1 |
| 10 | 8600429 | "O" RING | 1 |
| 11 | 8600403 | "O" RING | 1 |
| 12 | 9363023 | SCREW | 1 |

41015.03 - RAM ASSY



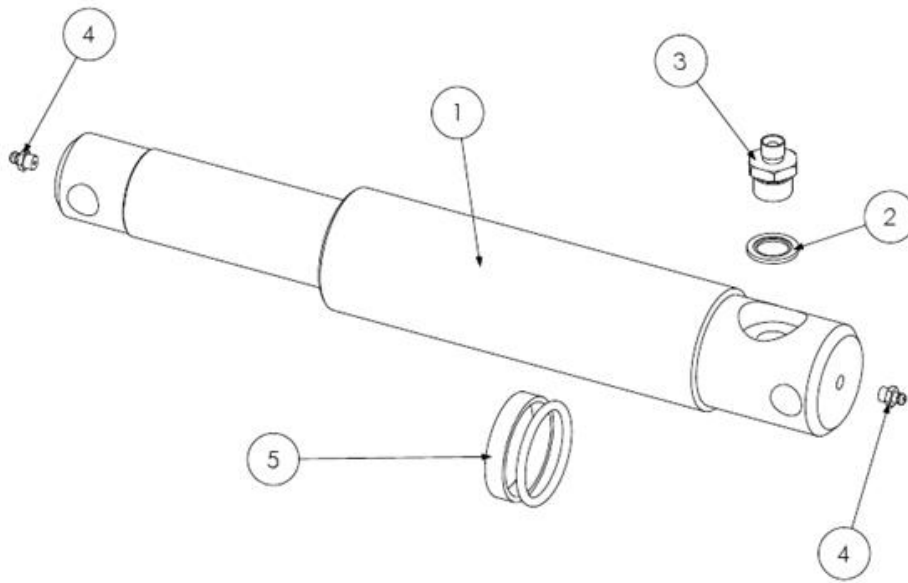
| Ref | Part No | Description | QTY |
|-----|-------------------|--------------|-----|
| 1 | 41015.03AP | RAM ASSY | 1 |
| 1 | 41015.03P | RAM -PAINTED | 0 |
| 7 | 8699217 | SEAL KIT | 0 |
| 11 | 7105050 | BUSH | 1 |
| 12 | 0901121 | GREASER | 1 |
| 14 | 8650103 | SEAL | 2 |
| 15 | 8130046 | RESTRICTOR | 1 |
| 16 | 8130066 | RESTRICTOR | 1 |

41015.03AP - RAM ASSY



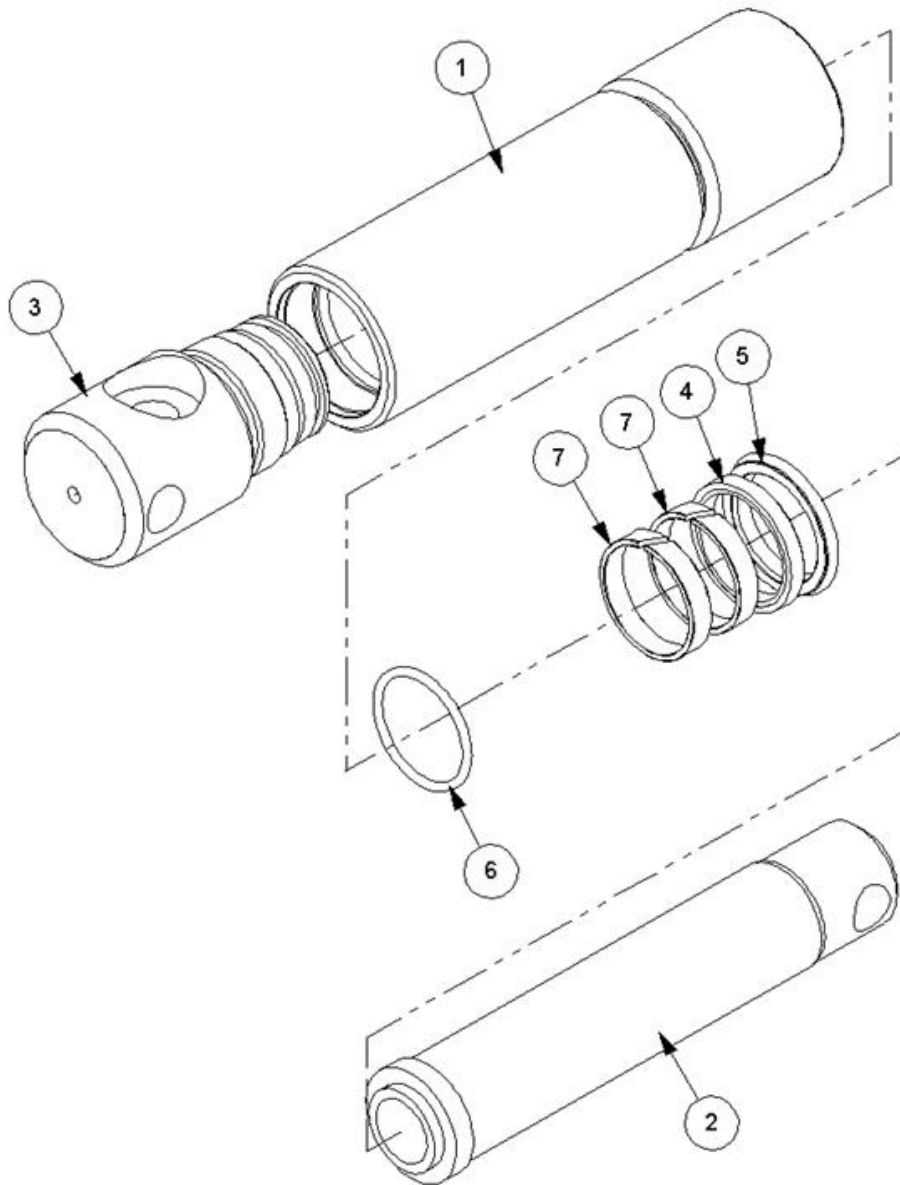
| Ref | Part No | Description | QTY |
|-----|----------|---------------|-----|
| 1 | 41036.01 | BARREL | 1 |
| 2 | 41037.01 | PISTON ROD | 1 |
| 3 | 1186512 | HOUSING | 1 |
| 4 | 9363023 | SCREW | 1 |
| 5 | 7120368 | PISTON | 1 |
| 6 | 8629156 | SEAL | 1 |
| 7 | 8629157 | GUIDE RING | 1 |
| 8 | 8629147 | SEAL | 1 |
| 9 | 8629164 | SEAL | 1 |
| 10 | 8600306 | O-RING | 1 |
| 11 | 8609306 | ANTI-EXT.RING | 1 |

41322.02 - RAM



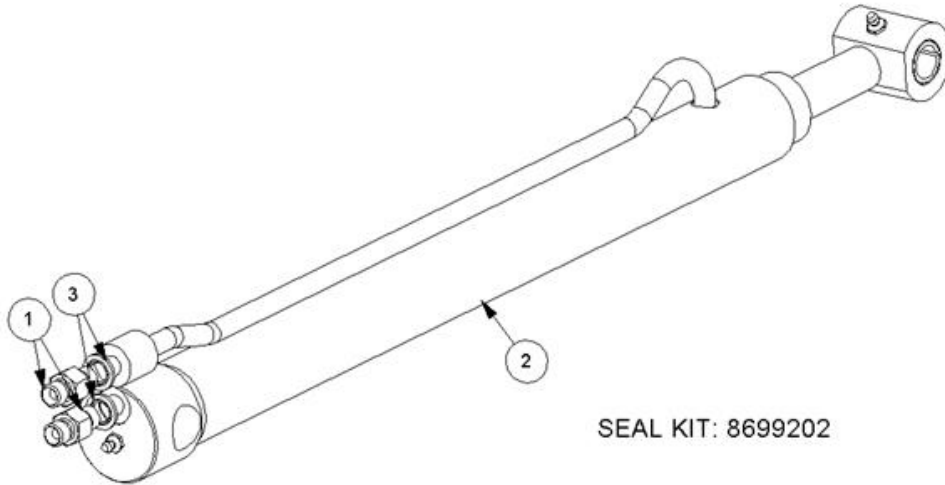
| Ref | Part No | Description | QTY |
|-----|------------------|--------------|-----|
| 1 | 7198292AP | RAM | 1 |
| 1 | 7198292P | RAM -PAINTED | 0 |
| 2 | 8650104 | SEAL | 1 |
| 3 | 8130083 | BODY | 1 |
| 4 | 8130189 | VALVE | 1 |
| 5 | 8116011 | SPRING | 1 |
| 6 | 0901121 | GREASER | 2 |

7198292AP - RAM



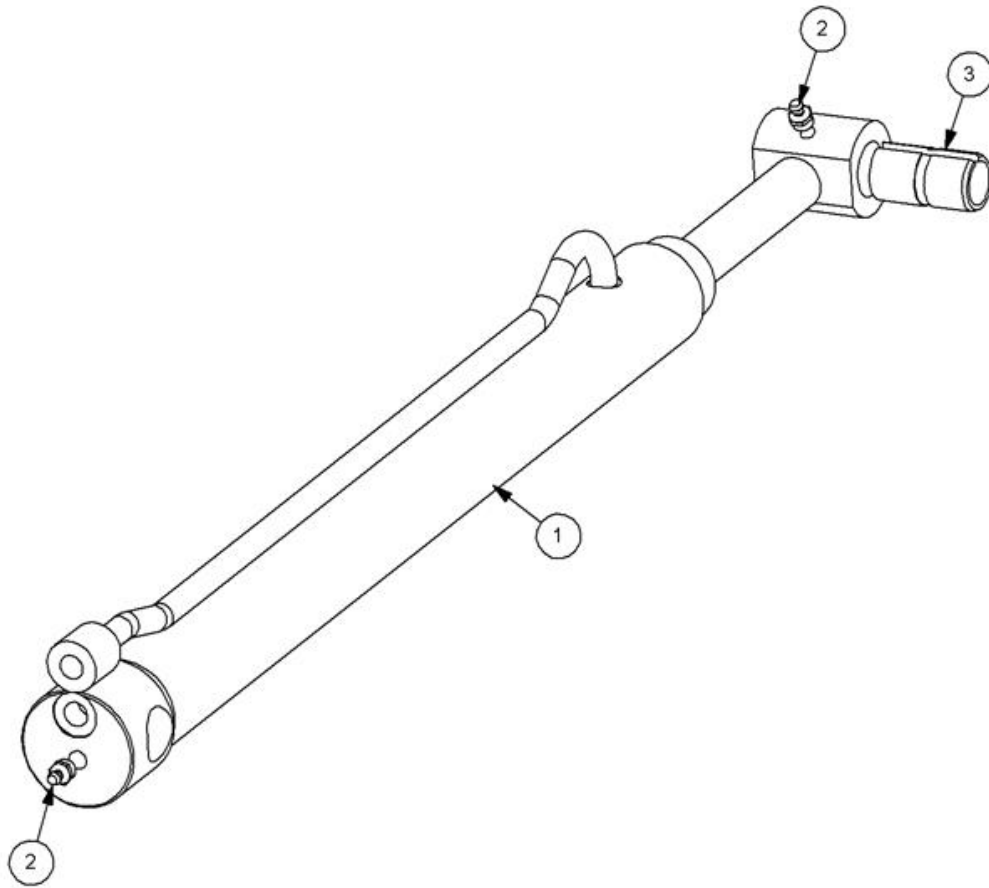
| Ref | Part No | Description | QTY |
|-----|---------|-------------|-----|
| 1 | 7191051 | PISTON ROD | 1 |
| 2 | 7191051 | PISTON ROD | 1 |
| 3 | 7191299 | PLUG | 1 |
| 4 | 8629158 | SEAL | 1 |
| 5 | 8629152 | SEAL | 1 |
| 6 | 8600302 | "O" RING | 1 |
| 7 | 8629273 | ROD BEARING | 2 |

7191072 - RAM



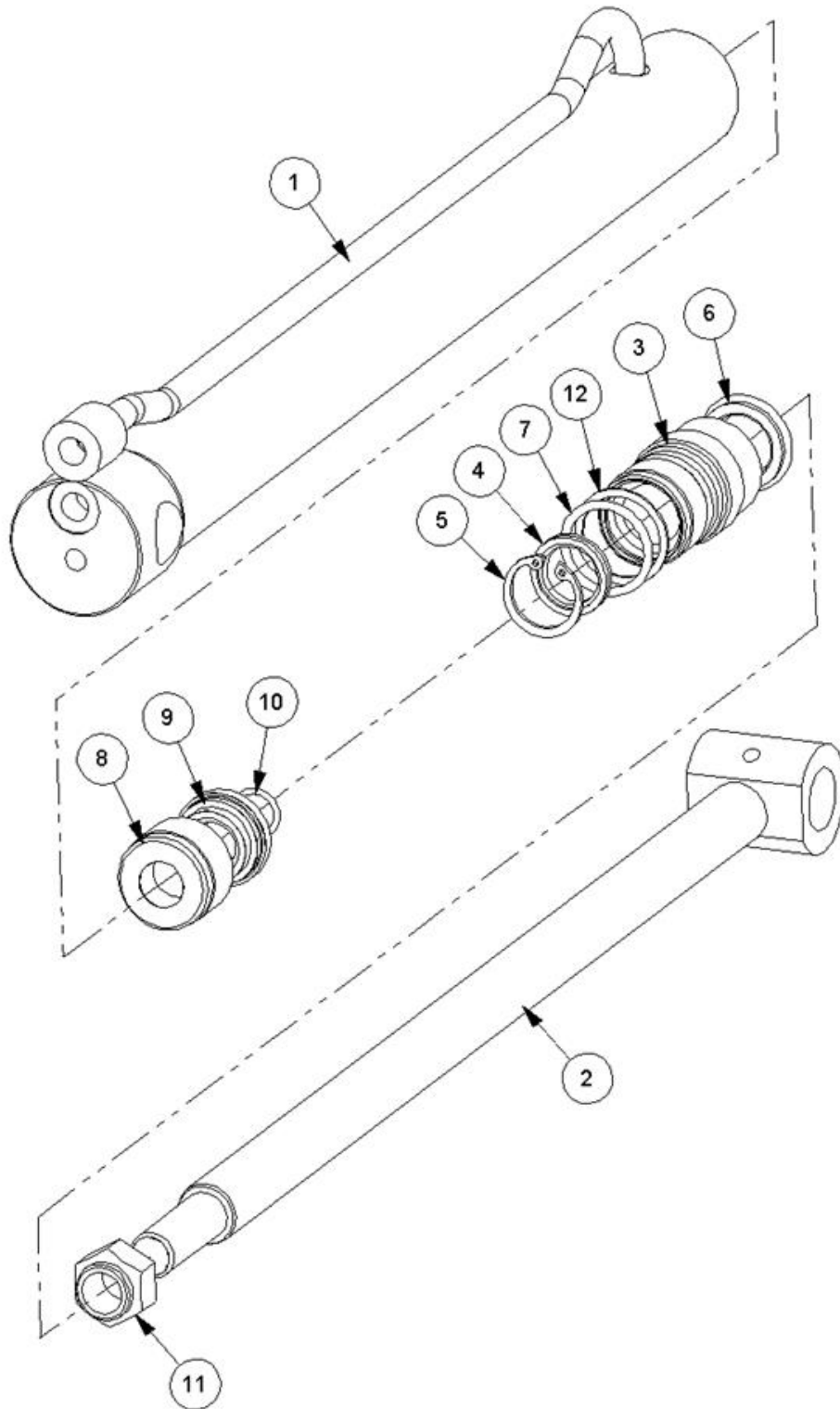
| Ref | Part No | Description | QTY |
|-----|----------------|-------------|-----|
| 1 | 8130037 | RESTRICTOR | 2 |
| 2 | 7191295 | RAM | 1 |
| 3 | 8650102 | SEAL | 2 |
| 4 | 8699202 | SEAL KIT | 0 |

7191295 - RAM



| Ref | Part No | Description | QTY |
|-----|------------------|--------------|-----|
| 1 | 7191295AP | RAM | 1 |
| 1 | 7191295P | RAM -PAINTED | 0 |
| 1 | 8699202 | SEAL KIT | 0 |
| 12 | 0901121 | GREASER | 2 |
| 13 | 1130002 | BUSH | 1 |

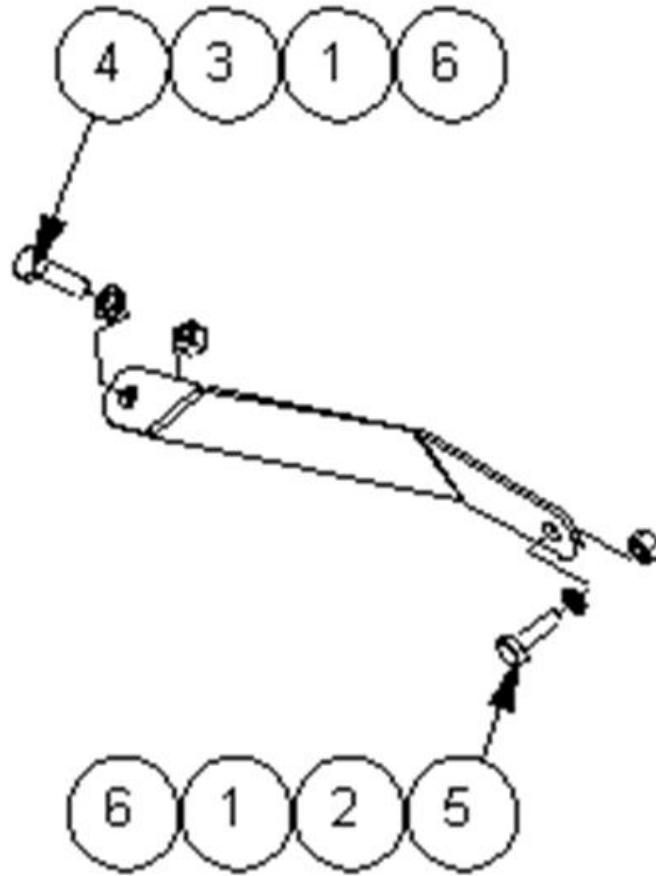
7191295AP - RAM



| Ref | Part No | Description | QTY |
|-----|---------|-------------|-----|
| 1 | 7191296 | BARREL | 1 |
| 2 | 1090031 | PISTON ROD | 1 |
| 3 | 1090273 | HOUSING | 1 |
| 4 | 8629162 | SEAL | 1 |
| 5 | 0411234 | CIRCLIP | 1 |
| 6 | 8629161 | SEAL | 1 |

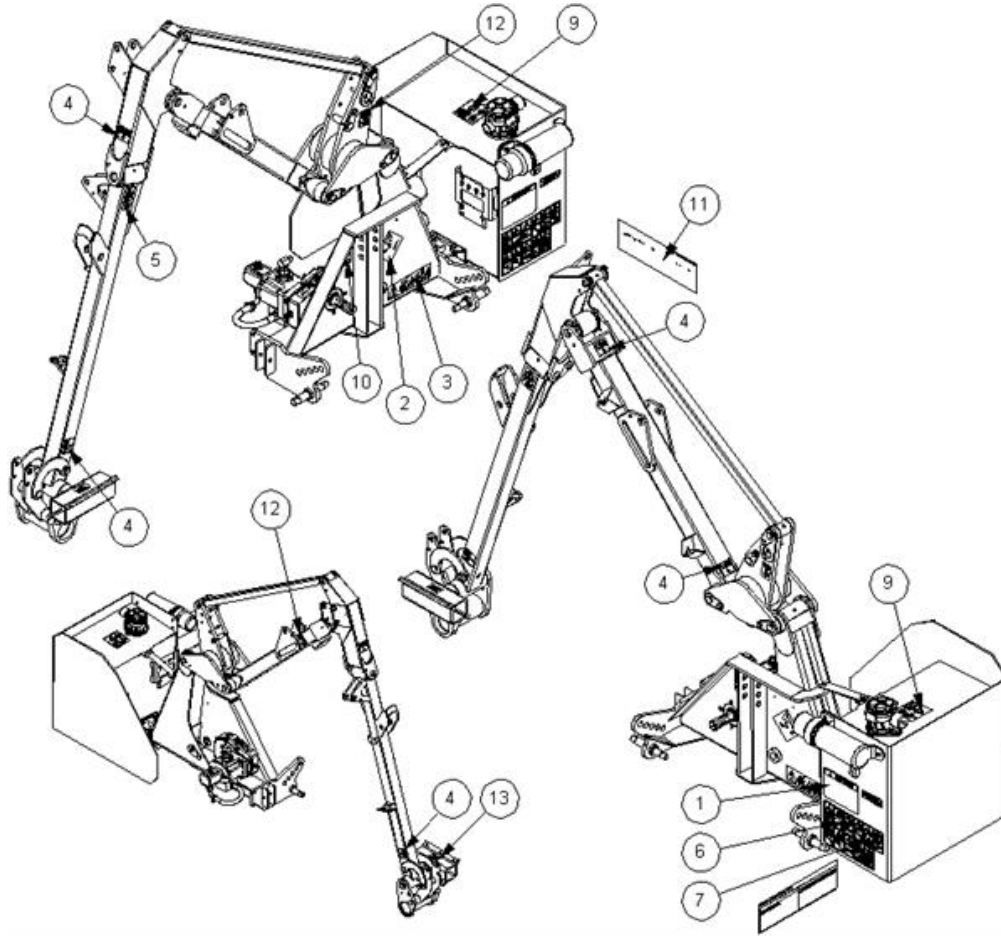
| Ref | Part No | Description | QTY |
|------------|----------------|--------------------|------------|
| 7 | 8600124 | O-RING | 1 |
| 8 | 1090034 | USE 1130034 | 2 |
| 9 | 8629160 | SEAL | 1 |
| 10 | 8600112 | O RING | 1 |
| 11 | 0141007 | NUT | 1 |
| 12 | 8609124 | AE RING | 1 |

7434576 - PACKING KIT



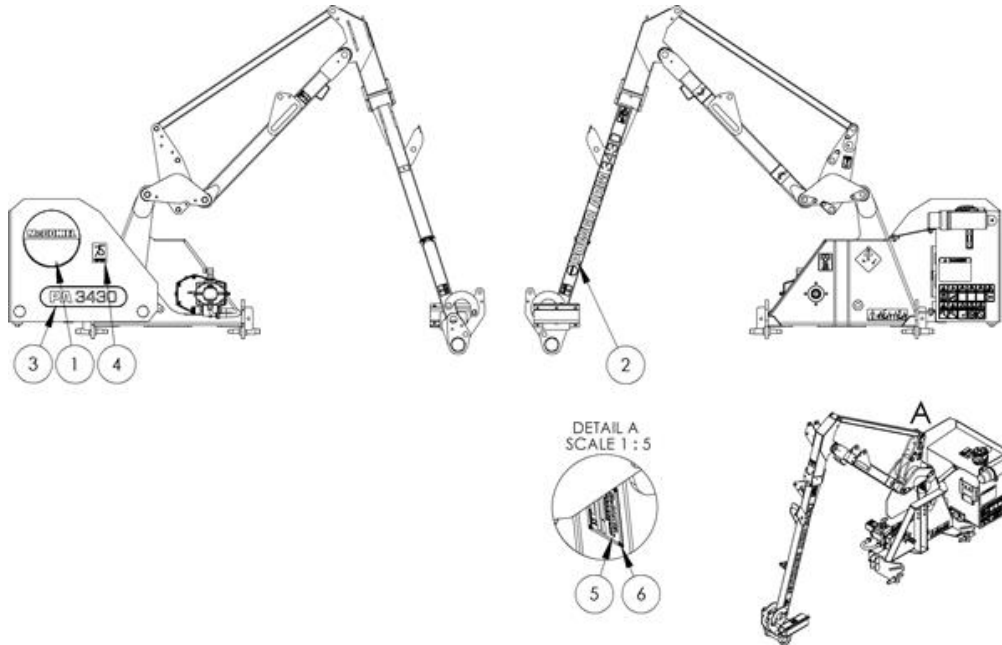
| Ref | Part No | Description | QTY |
|-----|----------|---------------|-----|
| 1 | 22852.53 | PACKING STRAP | 1 |
| 2 | 9313095 | SETSCREW | 1 |
| 3 | 9213145 | BOLT | 1 |
| 4 | 9163005 | NUT | 2 |
| 5 | 22852.59 | ANGLE | 1 |
| 6 | 7196045 | HOSE TIE | 1 |
| 7 | 9100105 | WASHER | 6 |

7434580 - BASIC STICKER KIT



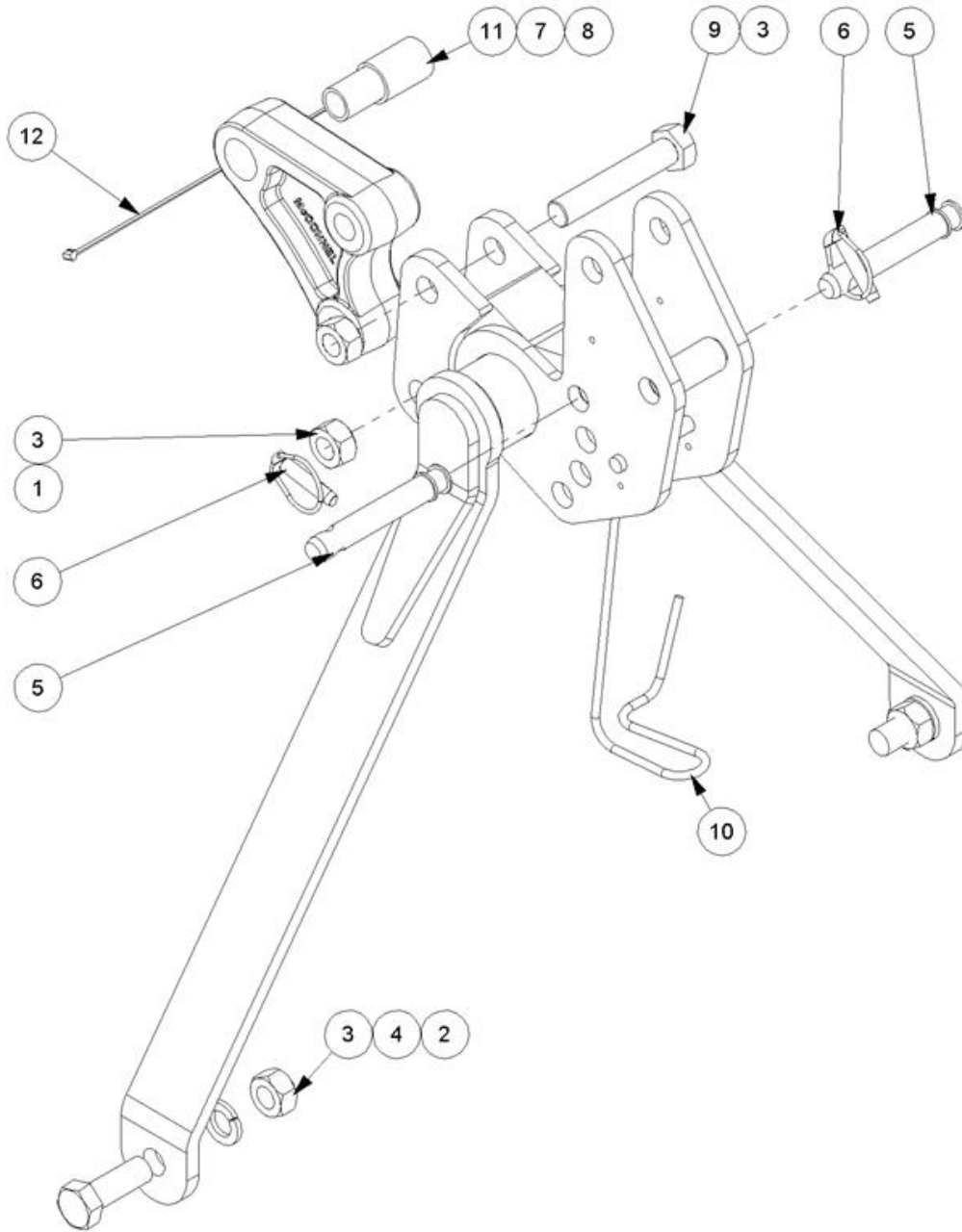
| Ref | Part No | Description | QTY |
|-----|-----------|-------------------------------|-----|
| 1 | 00756494 | DECAL | 1 |
| 2 | 7105130 | DECAL | 1 |
| 3 | 7135295 | DECAL | 1 |
| 4 | 02962764 | DECAL | 6 |
| 5 | 1290746 | DECAL | 1 |
| 6 | 09.821.35 | DECAL | 1 |
| 7 | 09.821.28 | DECAL | 1 |
| 8 | 09.821.32 | DECAL | 1 |
| 9 | 1290774 | DECAL | 1 |
| 10 | 23832.01 | DECAL-540 PTO MAX CW | 1 |
| 11 | 1290352 | DECAL | 1 |
| 12 | 09.843.05 | DECAL | 2 |
| 13 | 21917.06 | DECAL | 1 |
| 14 | D960 | DECAL WARNING CANCER AND HARM | 1 |

7434584 - PA3430 MCC DECAL KIT



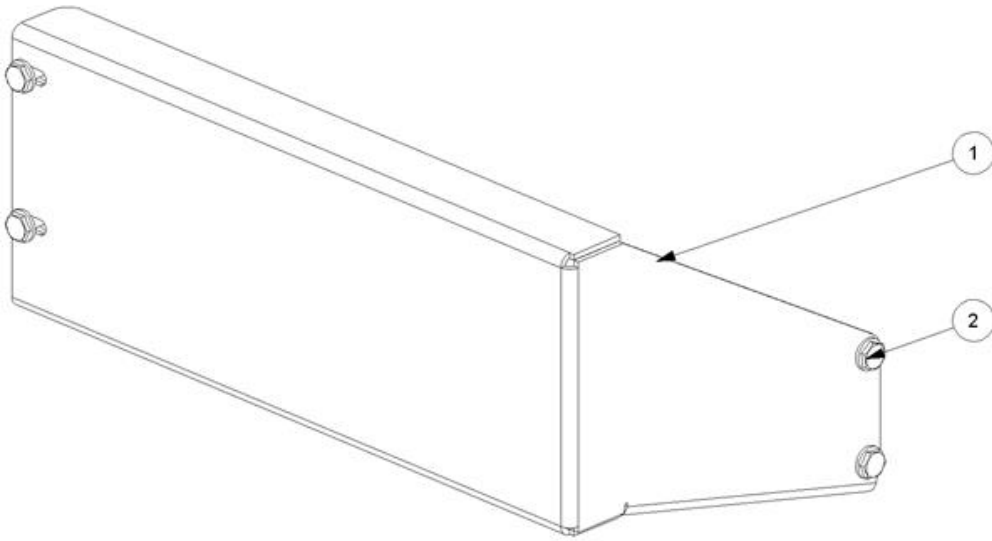
| Ref | Part No | Description | QTY |
|-----|----------|------------------|-----|
| 1 | 1290870 | DECAL | 1 |
| 2 | 1290869 | DECAL | 1 |
| 3 | 1290868 | DECAL | 1 |
| 5 | 1335246 | SERIAL No. PLATE | 1 |
| 6 | 7103230 | RIVET | 4 |
| 7 | 45671.01 | REFLECTOR | 2 |

7434627 - STABILIZER KIT



| Ref | Part No | Description | QTY |
|-----|----------|------------------------|-----|
| 1 | 41205.18 | STABILIZER | 1 |
| 2 | 9313118 | SCREW | 2 |
| 3 | 9113008 | NUT | 4 |
| 4 | 9100208 | WASHER | 2 |
| 5 | T1657 | PIN - LINKAGE | 2 |
| 6 | 0431217 | LINCH PIN | 2 |
| 7 | 1467063 | SLEEVE | 2 |
| 8 | 7499506C | TONGUE STAB CAT 3 CAST | 1 |
| 9 | 9213228 | BOLT | 2 |
| 10 | 21160.03 | HOOK | 1 |
| 11 | 21883.01 | SLEEVE CAT 2-3 | 1 |
| 12 | 7196045 | HOSE TIE | 1 |

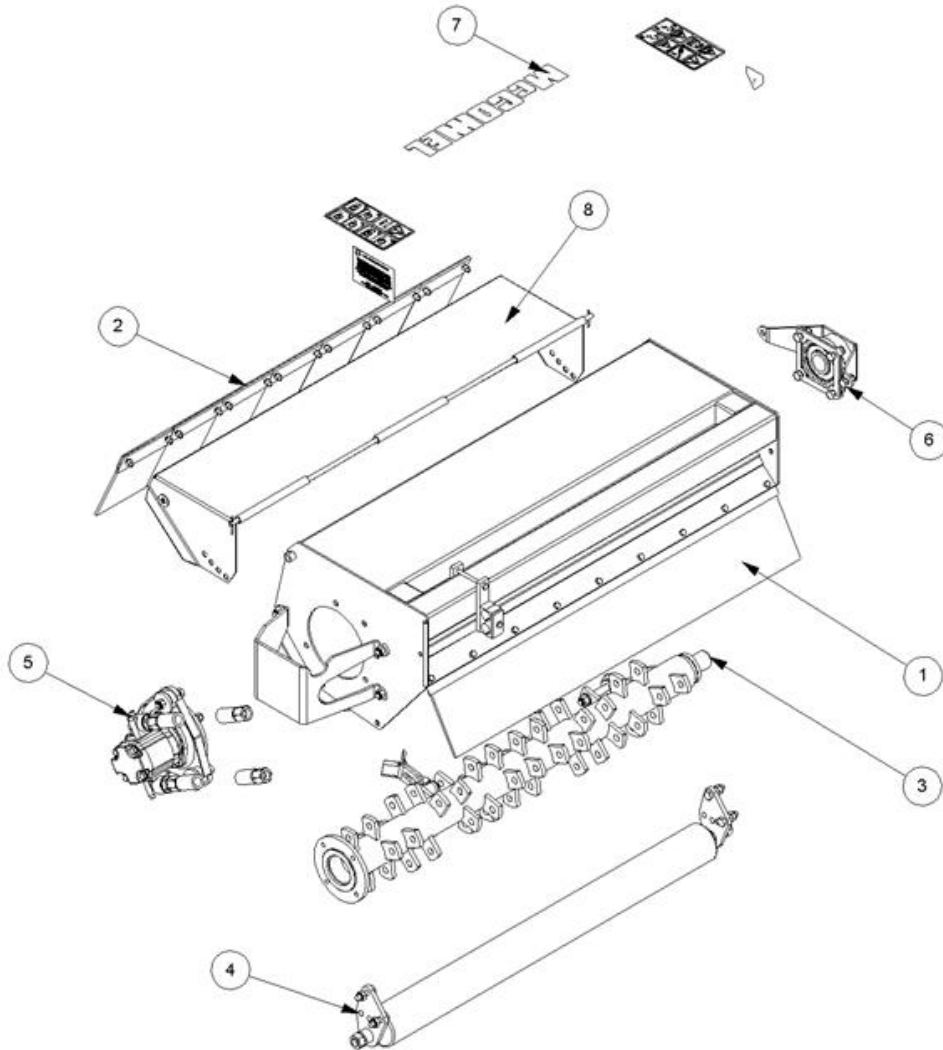
7434674 - GUARD MODULE



| Ref | Part No | Description | QTY |
|-----|----------|-------------|-----|
| 1 | 41196.91 | PLATE | 1 |
| 2 | 9413065 | SCREW & NUT | 4 |

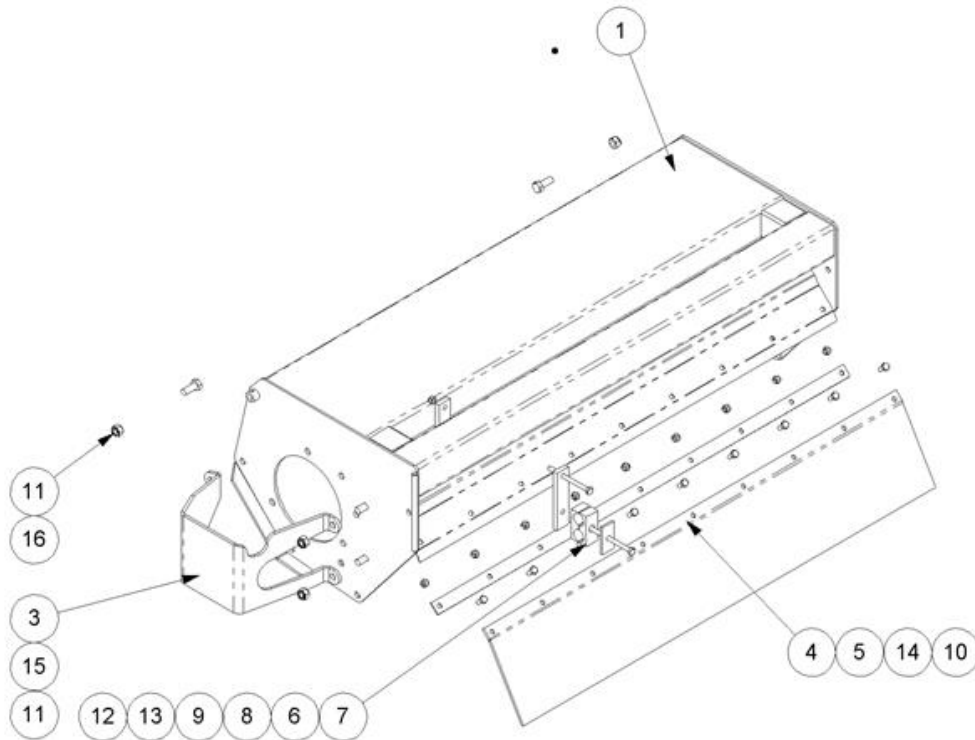
ATTACHMENTS

7490872 - 1.0M (SLIDING PIVOT) - GRASS



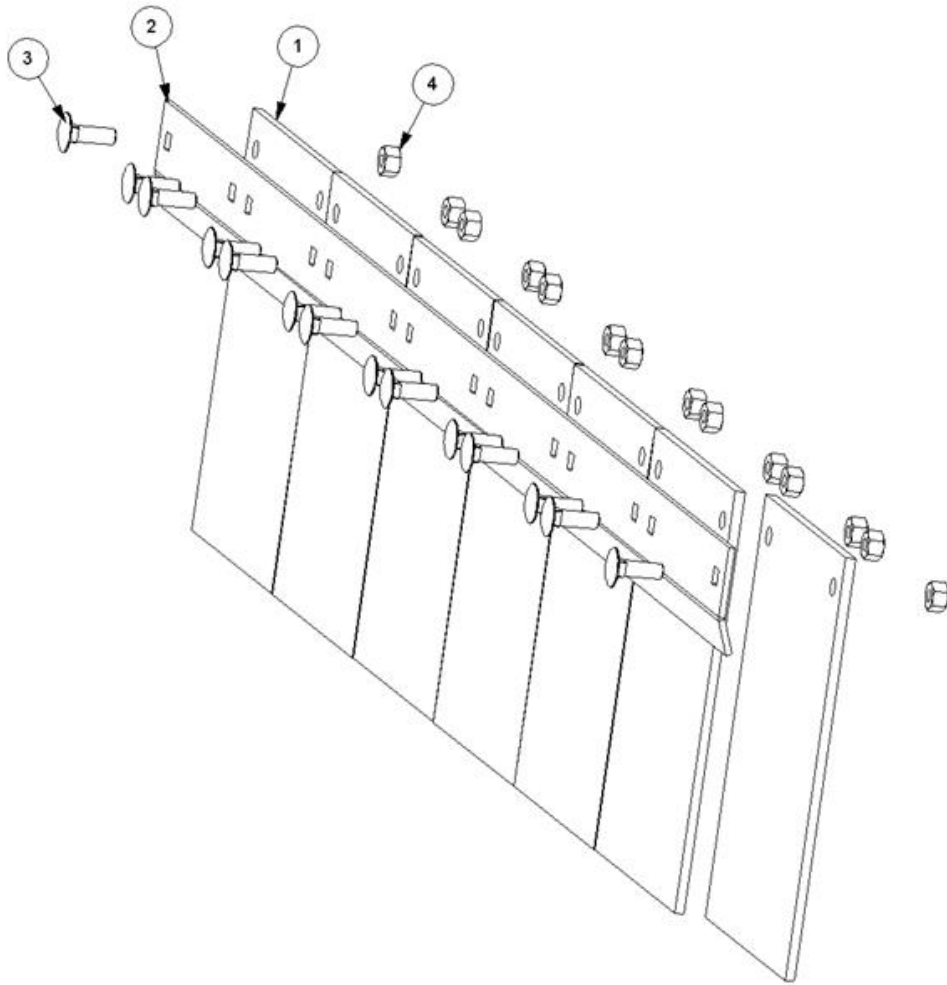
| Ref | Part No | Description | QTY |
|-----|----------|---------------------------|-----|
| 1 | 22494.32 | CASING MODULE | 1 |
| 2 | 7442254 | FLAP KIT | 1 |
| 3 | 21959.09 | ROTOR MODULE | 1 |
| 4 | 21961.04 | ROLLER MODULE | 1 |
| 5 | 22495.32 | MOTOR MODULE | 1 |
| 6 | 22498.09 | DRIVE MODULE | 1 |
| 7 | 7350710 | STICKER MODULE | 1 |
| 8 | 7442250 | FOR HOOD KIT USE 7442250S | 1 |

22494.32 - CASING MODULE



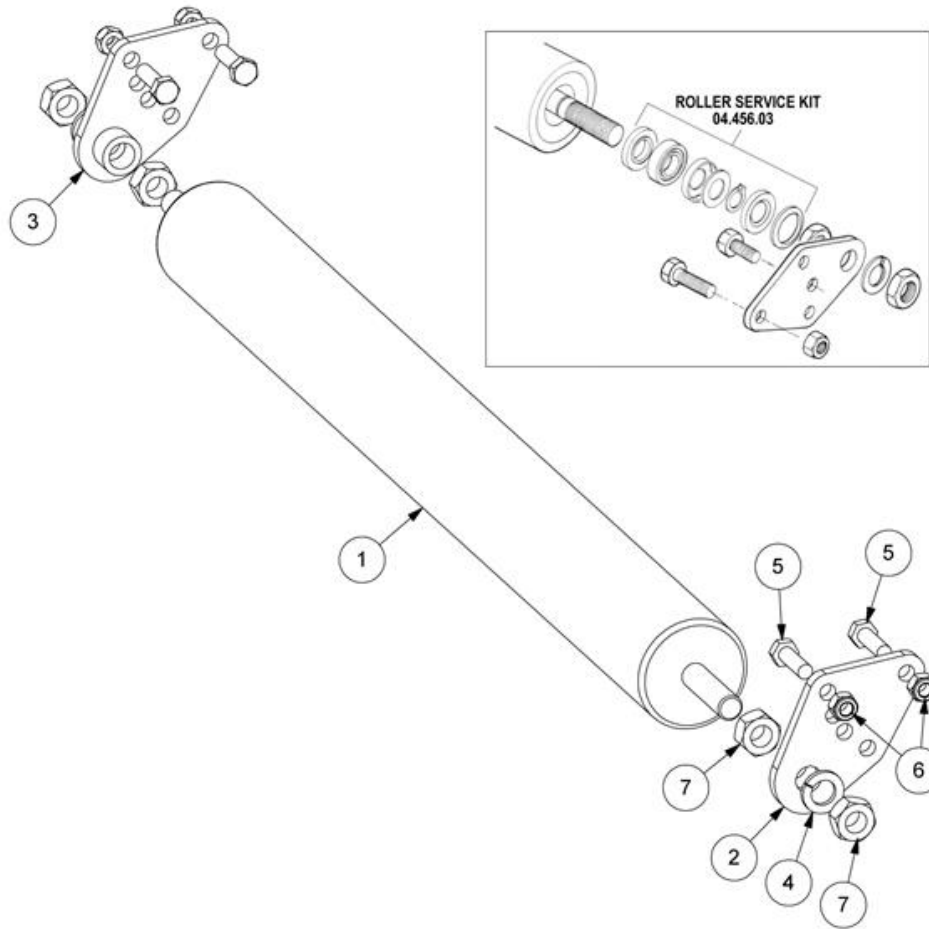
| Ref | Part No | Description | QTY |
|-----|-----------|-------------|-----|
| 1 | 41282.12 | CASING | 1 |
| 3 | 42495.01 | COVER | 1 |
| 4 | 41289.02 | FLAP | 1 |
| 5 | 41290.02 | STRIP | 1 |
| 6 | 06.418.03 | PLATE | 1 |
| 7 | 06.430.09 | CLAMP PAIR | 1 |
| 8 | 21874.01 | PLATE | 1 |
| 9 | 21874.02 | PLATE | 1 |
| 10 | 9163004 | NUT | 11 |
| 11 | 9163006 | NUT | 4 |
| 12 | 9213204 | BOLT | 1 |
| 13 | 9213304 | BOLT | 1 |
| 14 | 9313034 | SCREW | 9 |
| 15 | 9313056 | SCREW | 2 |
| 16 | 9313066 | SCREW | 2 |

7442254 - FLAP KIT



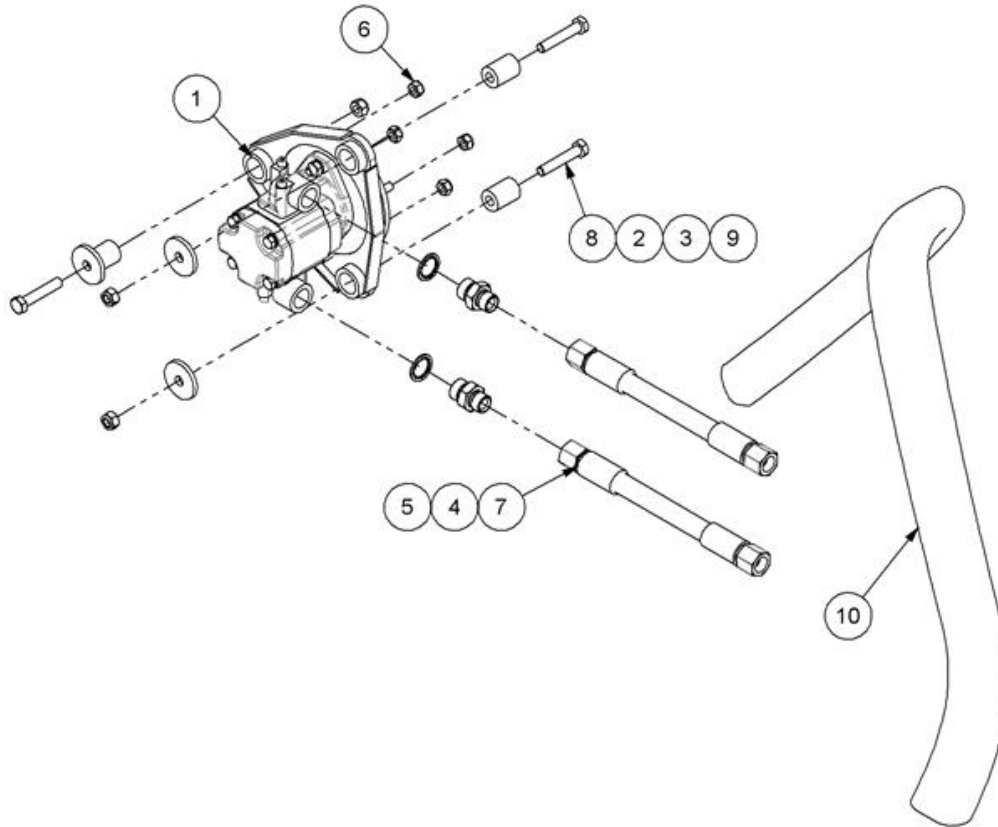
| Ref | Part No | Description | QTY |
|-----|----------|-------------|-----|
| 1 | 41296.02 | FLAP | 7 |
| 2 | 41291.02 | STRIP | 1 |
| 3 | 9293054 | BOLT | 14 |
| 4 | 9163004 | NUT | 14 |

21961.04 - ROLLER MODULE



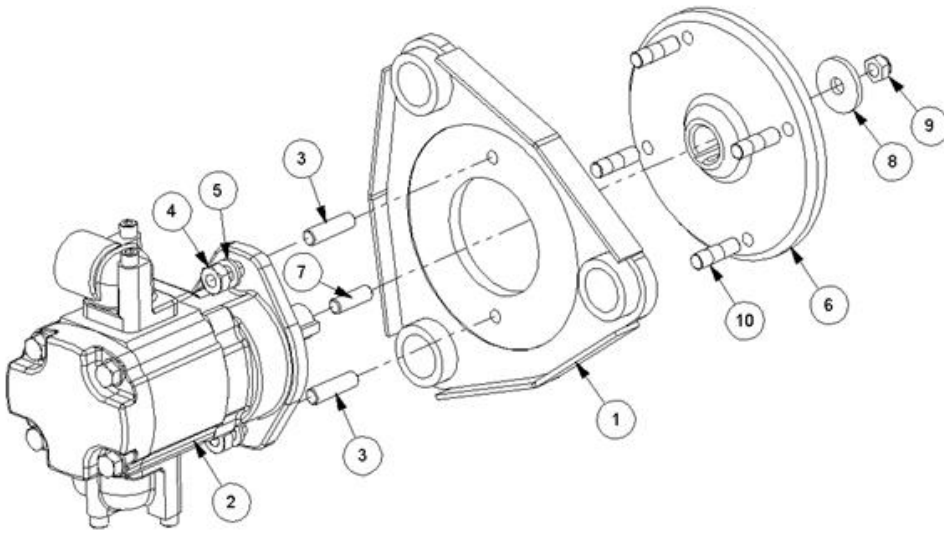
| Ref | Part No | Description | QTY |
|-----|-----------|-------------|-----|
| 1 | 41301.02 | ROLLER | 1 |
| 2 | 41285.03 | BRACKET LH | 1 |
| 3 | 41285.04 | BRACKET RH | 1 |
| 4 | 9100208 | WASHER | 2 |
| 5 | 9313086 | SCREW | 4 |
| 6 | 9163006 | NUT | 4 |
| 7 | 9113008 | NUT | 4 |
| 8 | 04.456.03 | BEARING KIT | 0 |

22495.32 - MOTOR MODULE



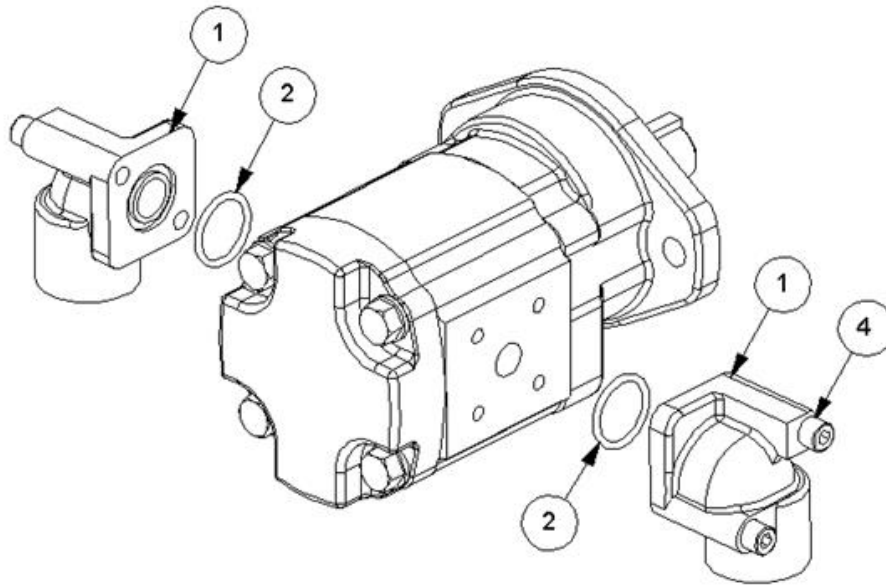
| Ref | Part No | Description | QTY |
|-----|-----------------|---------------|-----|
| 1 | 42603.02 | MOTOR & MTG | 1 |
| 2 | 03.871.01 | BUSH | 3 |
| 3 | 02.824.01 | WASHER | 3 |
| 4 | 8581270 | ADAPTOR | 2 |
| 5 | 8650106 | SEAL | 2 |
| 6 | 05.968.02 | NUT | 4 |
| 7 | 10.007.30 | HOSE | 2 |
| 8 | 9213136 | BOLT | 3 |
| 9 | 9163006 | NUT | 3 |
| 10 | 22590.26 | HOSE SLEEVING | 1 |

42603.02 - MOTOR & MTG



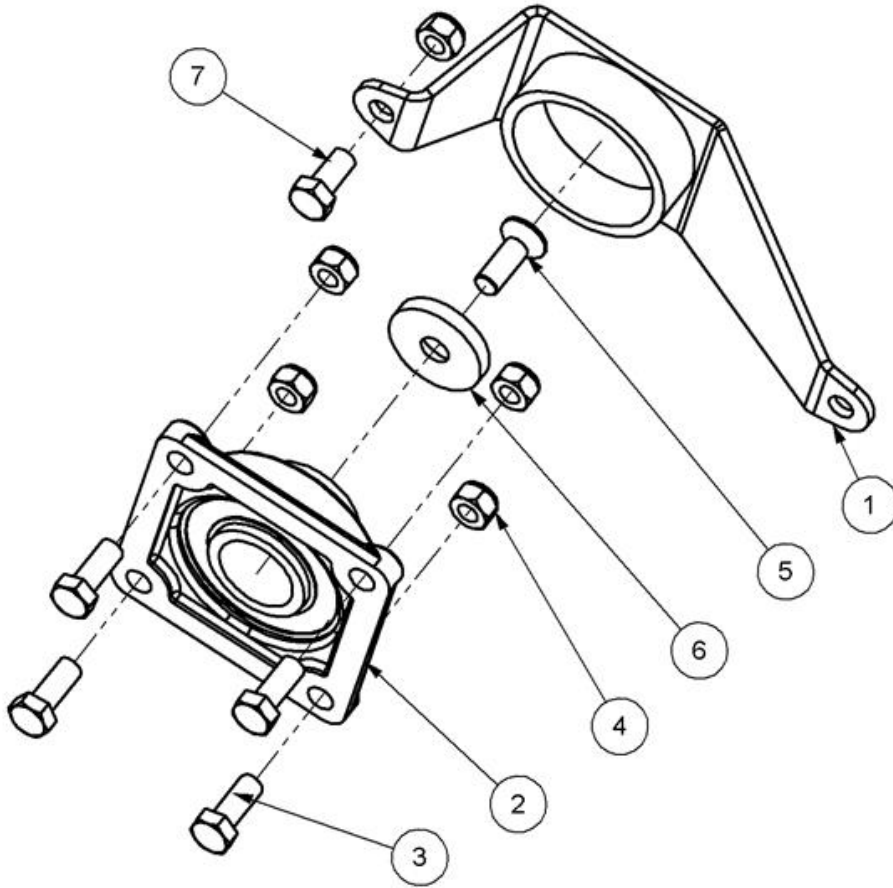
| Ref | Part No | Description | QTY |
|-----|------------------|-------------|-----|
| 1 | 09.132.01 | PLATE | 1 |
| 2 | 08.785.05 | MOTOR | 1 |
| 3 | 04.282.56 | STUD | 2 |
| 4 | 9113005 | NUT | 2 |
| 5 | 9100205 | WASHER | 2 |
| 6 | 03.833.01 | PLATE | 1 |
| 7 | 03.960.02 | STUD | 1 |
| 8 | 03.959.02 | WASHER | 1 |
| 9 | 0141003 | NUT | 1 |
| 10 | 03.917.01 | STUD | 4 |

08.785.05 - MOTOR



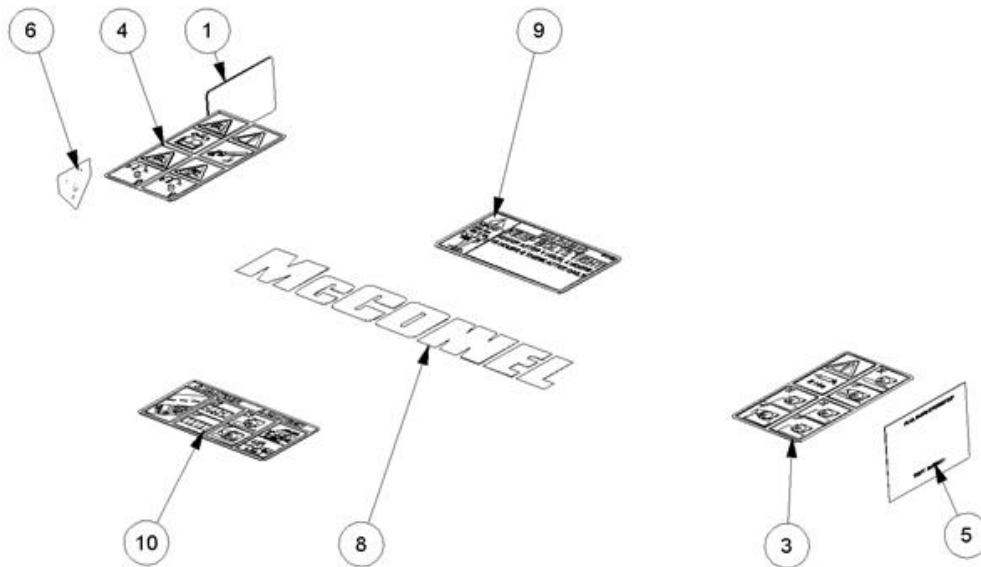
| Ref | Part No | Description | QTY |
|-----|-----------|-------------|-----|
| 1 | 08.785.07 | FLANGE | 2 |
| 2 | 8600403 | "O" RING | 2 |
| 3 | 08.785.06 | SEAL KIT | 1 |
| 4 | 05.625.25 | CAPSCREW | 2 |

22498.09 - DRIVE MODULE



| Ref | Part No | Description | QTY |
|-----|-----------|-------------|-----|
| 1 | 42496.01 | COVER | 1 |
| 2 | 03.008.01 | BEARING | 1 |
| 3 | 9313066 | SCREW | 4 |
| 4 | 9163006 | NUT | 5 |
| 5 | 9353076 | SCREW | 1 |
| 6 | 42503.01 | WASHER | 1 |
| 7 | 9313056 | SCREW | 1 |

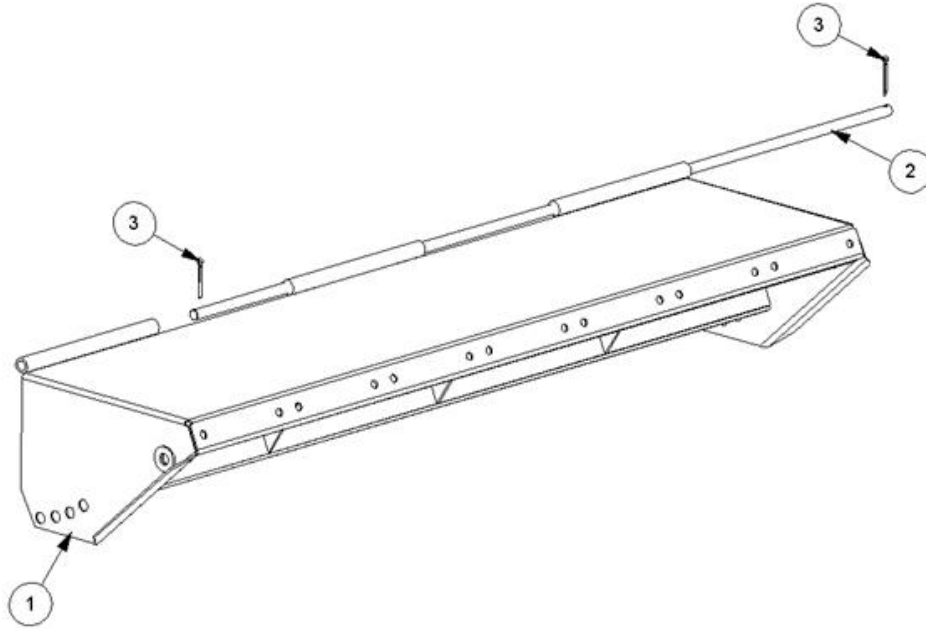
7350710 - STICKER MODULE



| Ref | Part No | Description | QTY |
|-----|-----------|------------------|-----|
| 1 | 1335246 | SERIAL No. PLATE | 1 |
| 3 | 1290738 | DECAL | 1 |
| 4 | 09.821.35 | DECAL | 1 |
| 5 | 1290392 | DECAL | 1 |
| 6 | 09.810.01 | DECAL | 1 |
| 8 | 1290255 | DECAL | 1 |
| 9 | 1291065 | DECAL | 1 |
| 10 | 1291231 | DECAL | 1 |
| 11 | 7103230 | RIVET | 4 |

7442250 - FOR HOOD KIT USE

7442250S

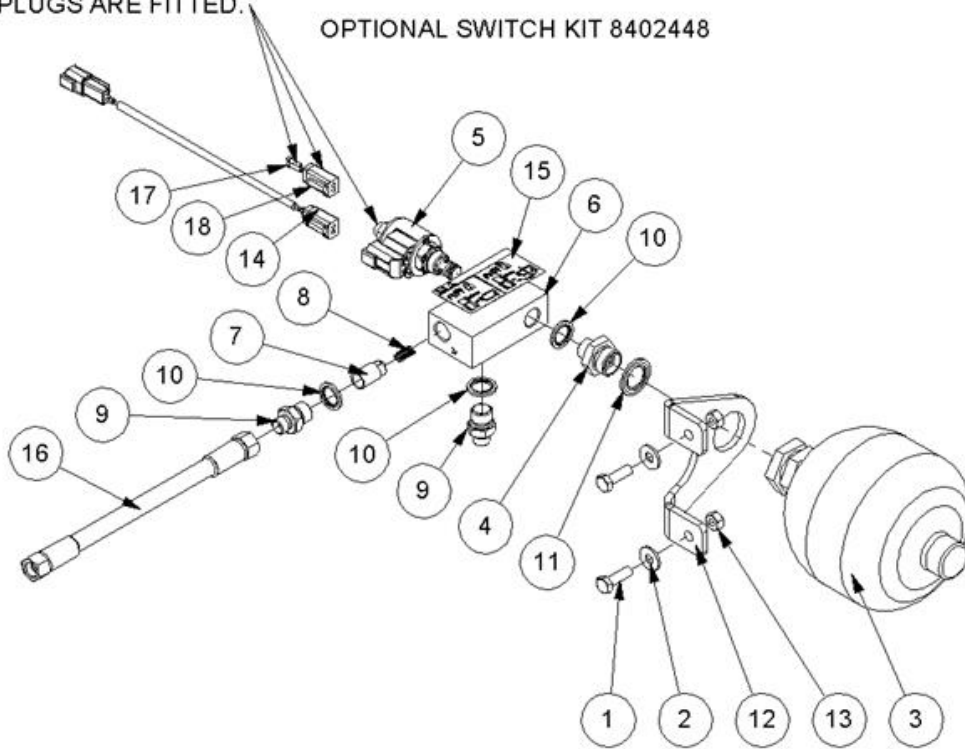


| Ref | Part No | Description | QTY |
|-----|----------|-------------|-----|
| 0 | 41283.02 | HOOD | 1 |
| 0 | 41293.02 | BAR | 1 |
| 0 | 9501325 | PIN | 2 |
| 1 | 41283.02 | HOOD | 1 |
| 2 | 41293.02 | BAR | 1 |
| 3 | 9501325 | PIN | 1 |

8126376 - LIFT FLOAT KIT- PA3430/4330 BSP

FOR USE ON NON-ELECTRIC MACHINES,
OMIT LOOM AND OPERATE USING OVER
RIDE BUTTON ON POPPET VALVE.
ENSURE CONNECTOR AND SEALING
PLUGS ARE FITTED.

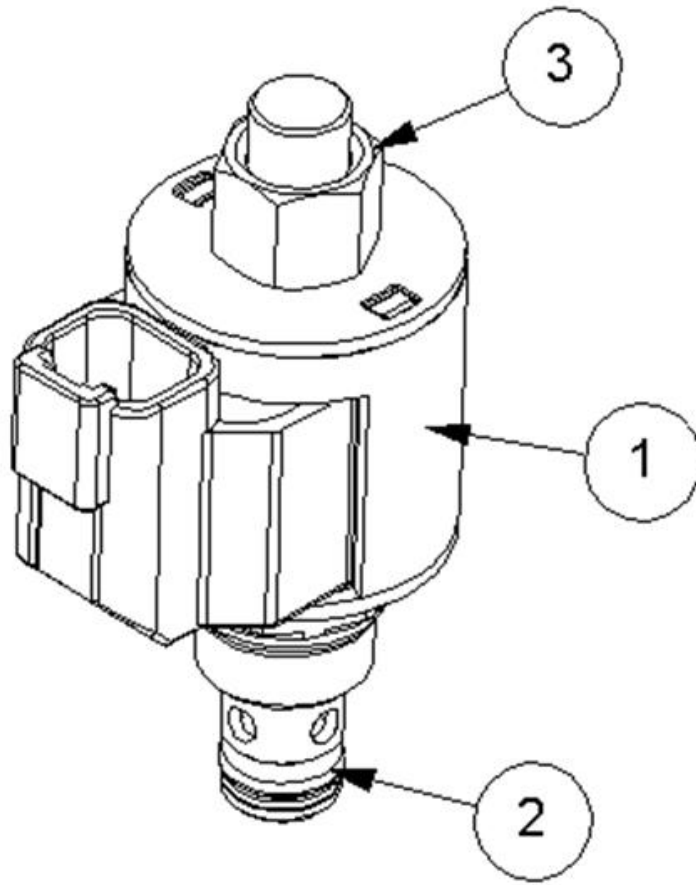
OPTIONAL SWITCH KIT 8402448



| Ref | Part No | Description | QTY |
|-----|----------------|--------------------------------|-----|
| 1 | 9313054 | SCREW | 2 |
| 2 | 9100104 | WASHER | 2 |
| 3 | 8126042 | ACCUMULATOR | 1 |
| 4 | G2410380 | ADAPTOR | 1 |
| 5 | 8130223 | NC POPPET VALVE | 1 |
| 6 | 8126287 | BLOCK | 1 |
| 7 | 8126037 | PISTON | 1 |
| 8 | 8116011 | SPRING | 1 |
| 9 | 8581115 | ADAPTOR | 2 |
| 10 | 8650103 | SEAL | 3 |
| 11 | 8650322 | SEAL | 1 |
| 12 | 22852.52 | BRACKET | 1 |
| 13 | 9163004 | NUT | 2 |
| 14 | 41844.54 | ANGLE FLOAT LOOM 2M DT CONNECT | 1 |
| 15 | 1290061 | DECAL | 1 |
| 16 | 10.001.10 | HOSE | 1 |
| 17 | 45594.49 | SEALING PLUG | 2 |

| Ref | Part No | Description | QTY |
|-----|----------|-----------------|-----|
| 18 | 45594.37 | DEUTSCH DT06-2S | 1 |

8130223 - NC POPPET VALVE



| Ref | Part No | Description | QTY |
|-----|---------|--------------------------------|-----|
| 1 | 8130220 | COIL FOR 8130223 | 1 |
| 2 | 8130221 | VALVE FOR 8130223 | 1 |
| 3 | 8130222 | COIL RETAINING NUT FOR 8130223 | 1 |