

Parts Manual for

WGC No: 7434963

**PA3430 FM RH XTC
1000 RPM ACW BUILD**



All parts are not created equal and before you settle on an imitation part, know this - McConnel Genuine Parts offer the safety, durability and warranty protection you expect. You've made an investment in your equipment; now invest in its future.

- We design and build to exact specifications requiring strict chemical strength and performance characteristics. (Never reverse engineered like imitation parts).
- McConnel Genuine Parts meet the rigid guidelines necessary to satisfy warranty requirements.
- Our parts experts are available to answer any questions and have first -hand knowledge of all equipment.
- McConnel Genuine Parts are tested to meet all safety standards.
- McConnel parts have a 6 month warranty when fitted by an authorised Dealer.

McCONEL LIMITED

For parts supply contact your local Dealer or Stockist

To help them help you, always quote:

- ***Machine Type***
- ***Serial Number***
- ***Part Number***

Design improvements may alter some of the parts listed in this manual – the latest part will always be supplied when it is interchangeable with an earlier one.

McCONNEL PARTS DEPARTMENT

Telephone: +44 (0)1584 873131 **Fax:** +44 (0)1584 872223
Direct Parts Line: +44 (0)1584 876888 **Email:** parts@mccommel.com

CONTENTS

| Page No | Schedule No | Schedule Description |
|---------|-------------|----------------------|
| 3 | 22674.51 | OPERATOR MANUAL |
| 5 | 7109319 | CAB MTG MODULE |
| 7 | 7313324 | GUARD KIT |
| 9 | 7434500 | MAIN FRAME MODULE |
| 11 | 7434502 | TANK MODULE LH |
| 13 | 212.013 | FILTER ASSY 100 L |
| 15 | 7434511 | ANGLING GEAR |
| 17 | 7434514 | ROCKER MODULE |
| 19 | 7434516 | MAIN ARM MODULE |
| 21 | 743452230 | HOSE KIT |
| 23 | 7434525 | DIPPER MODULE |
| 25 | 7434533 | MODULE DIPPER RH |
| 27 | 7434540 | TANK FITTINGS |
| 29 | 7434543 | PUMP AND GEARBOX ASS |
| 31 | 7434557 | ACV ASSY |
| 33 | 22525.08 | CONTROL SOL.KIT |
| 35 | 22523.20 | MANIFOLD ASSY |
| 37 | 22524.48 | ADAPTOR KIT |
| 39 | 7434568 | RCV ON/OFF |
| 41 | 08.943.01 | VALVE |
| 43 | 7434572 | HYD INST |
| 45 | 41014.12 | RAM |
| 47 | 41015.03 | RAM ASSY |
| 49 | 41322.02 | RAM |
| 51 | 7191072 | RAM |
| 53 | 7434576 | PACKING KIT |
| 55 | 7434582 | BASIC STICKER KIT |
| 57 | 7434584 | PA3430 MCC DECAL KIT |
| 59 | 7434627 | STABILIZER KIT |
| 61 | 8402919 | MINI XTC KIT |
| 63 | 8402394 | CONTROL BOX |
| 65 | | |

* optional component

Publication 651
July 2010
Part No. 22674.51



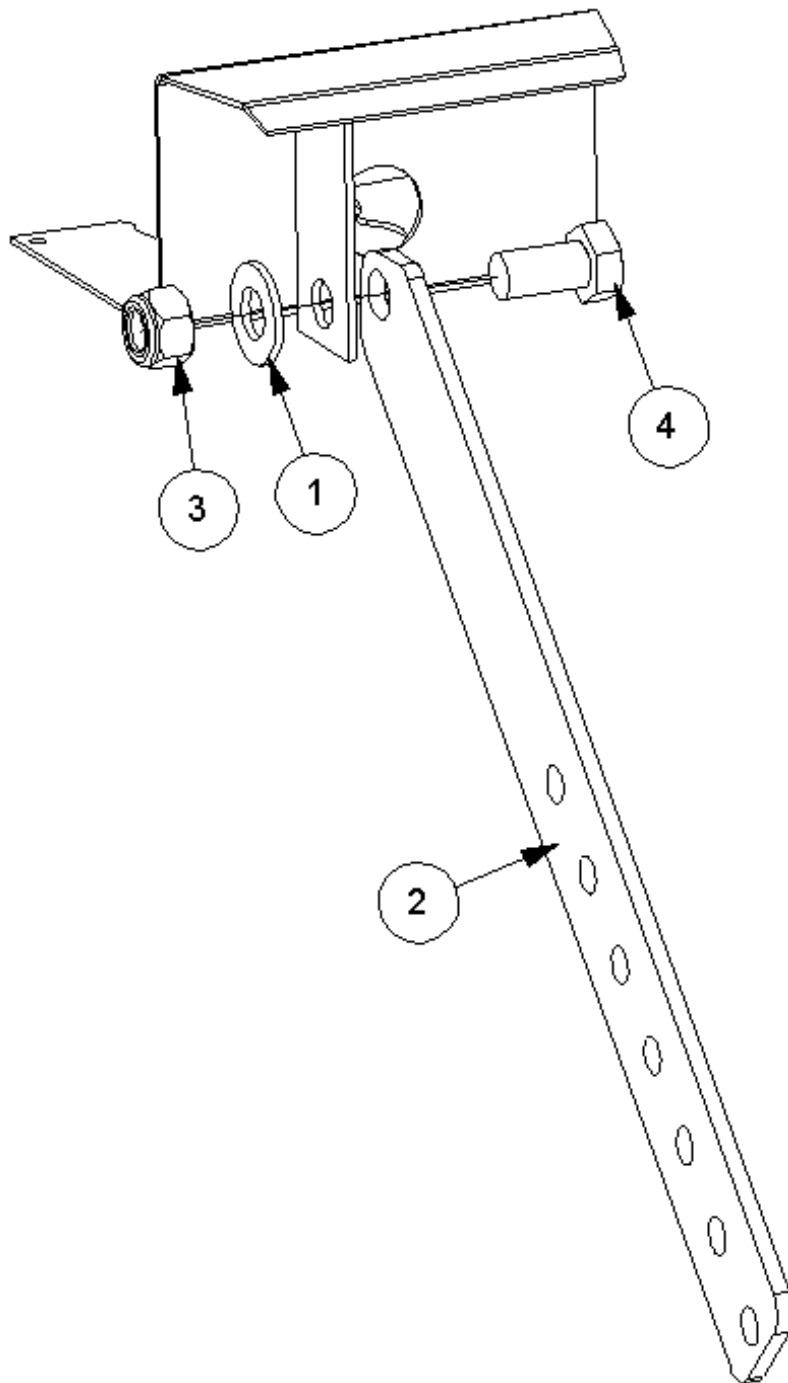
McCONNEL

PA3430 / PA4330 Series COMPACT TRIMMER / MOWER

Operator Manual

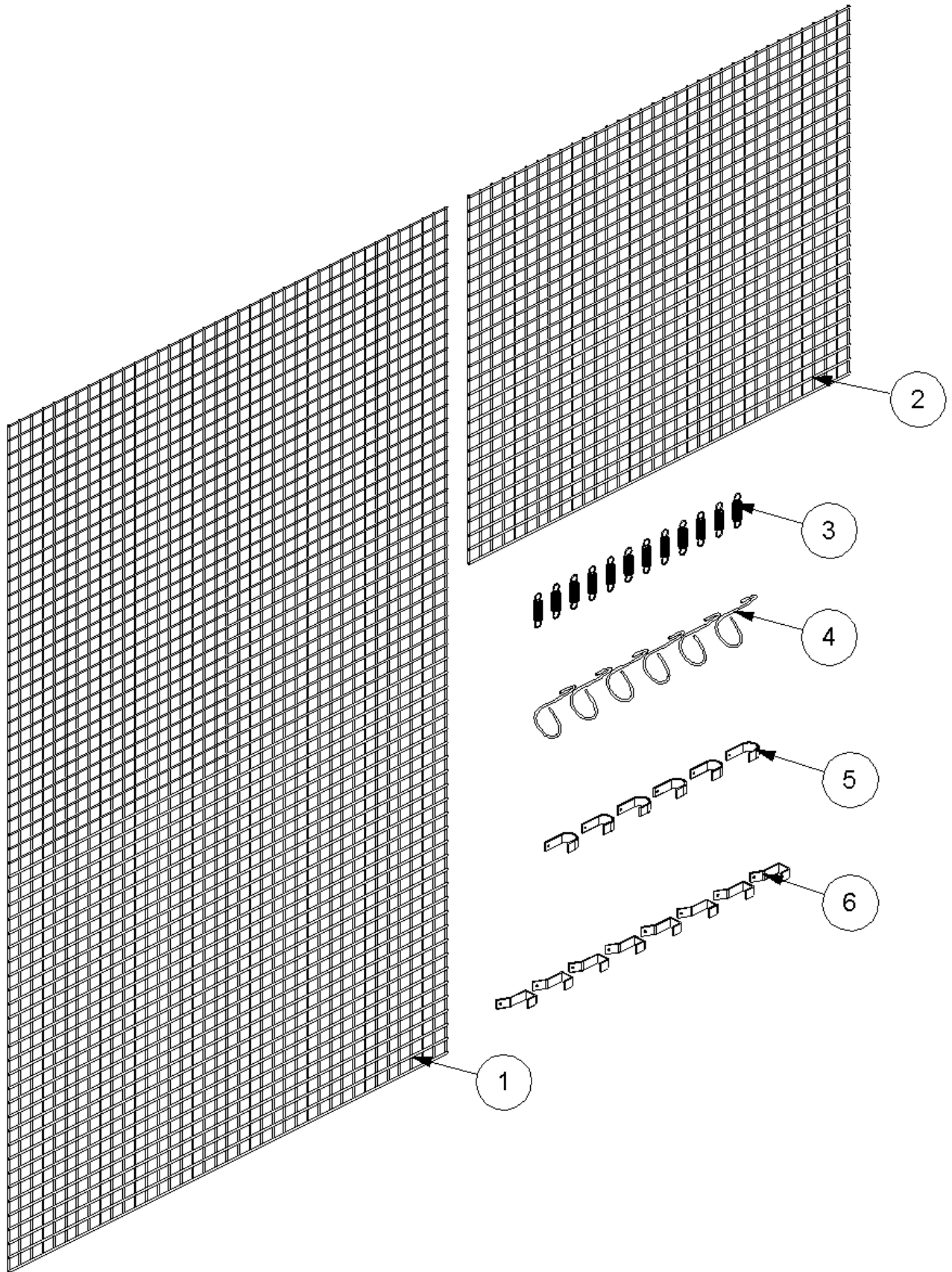


SWITCHBOX BRACKET SHOWN FOR DISPLAY ONLY



7109319 - CAB MTG MODULE

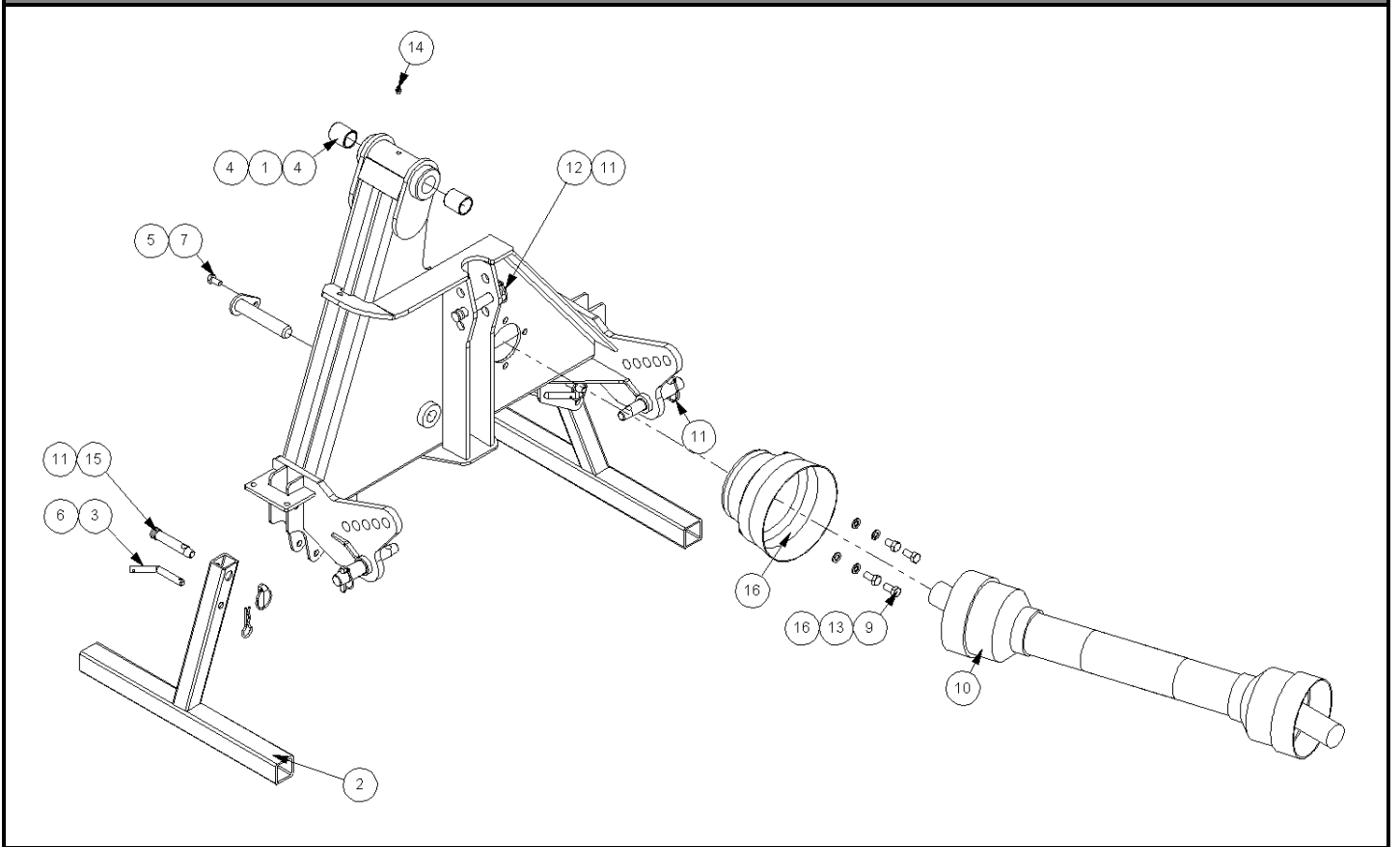
| Ref | Part No | Description | Qty |
|-----|---------|-------------|-----|
| 1 | 0100106 | WASHER | 1 |
| 2 | 7109146 | PILLAR | 1 |
| 3 | 9163007 | NUT | 1 |
| 7 | 9313067 | SCREW | 1 |



7313324 D - GUARD KIT

| Ref | Part No | Description | Qty |
|-----|----------|-------------|-----|
| 1 | 7313049 | GUARD PANEL | 1 |
| 2 | 7313050 | GUARD PANEL | 1 |
| 3 | 6001064 | SPRING | 12 |
| 4 | 6001065 | HOOK | 6 |
| 5 | 41587.01 | GUARD HOOK | 6 |
| 6 | 41745.01 | HOOK | 8 |

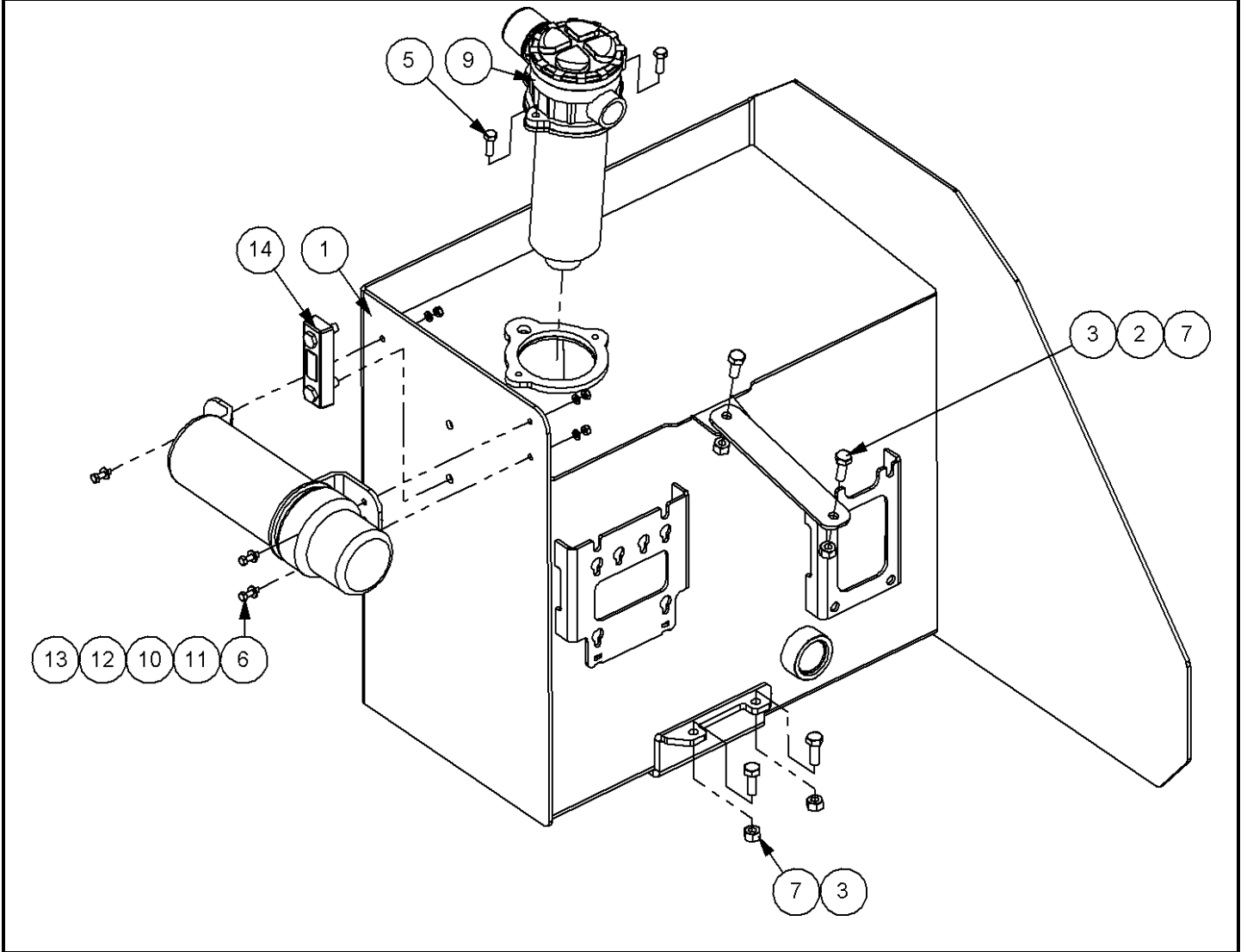
743450 C - MAIN FRAME MODULE



7434500 C - MAIN FRAME MODULE

| Ref | Part No | Description | Qty |
|-----|----------|-------------------|-----|
| 1 | 22852.01 | MAIN FRAME W/ASSY | 1 |
| 2 | 41203.05 | STAND LEG | 2 |
| 3 | 1090051 | PIN | 2 |
| 4 | 21149.01 | BUSH | 2 |
| 5 | 41267.02 | PIN | 1 |
| 6 | 0431105 | PIN | 2 |
| 7 | 9313045 | SCREW | 1 |
| 8 | 9313046 | SCREW | 1 |
| 9 | 9313056 | SCREW | 3 |
| 10 | 7114289 | PTO SHAFT | 1 |
| 11 | 0431217 | PIN | 5 |
| 12 | 6310202 | PIN | 1 |
| 13 | 9100206 | WASHER | 4 |
| 14 | 0901121 | GREASER | 1 |
| 15 | T8117 | PIN | 2 |
| 16 | 42694.04 | GUARD | 1 |

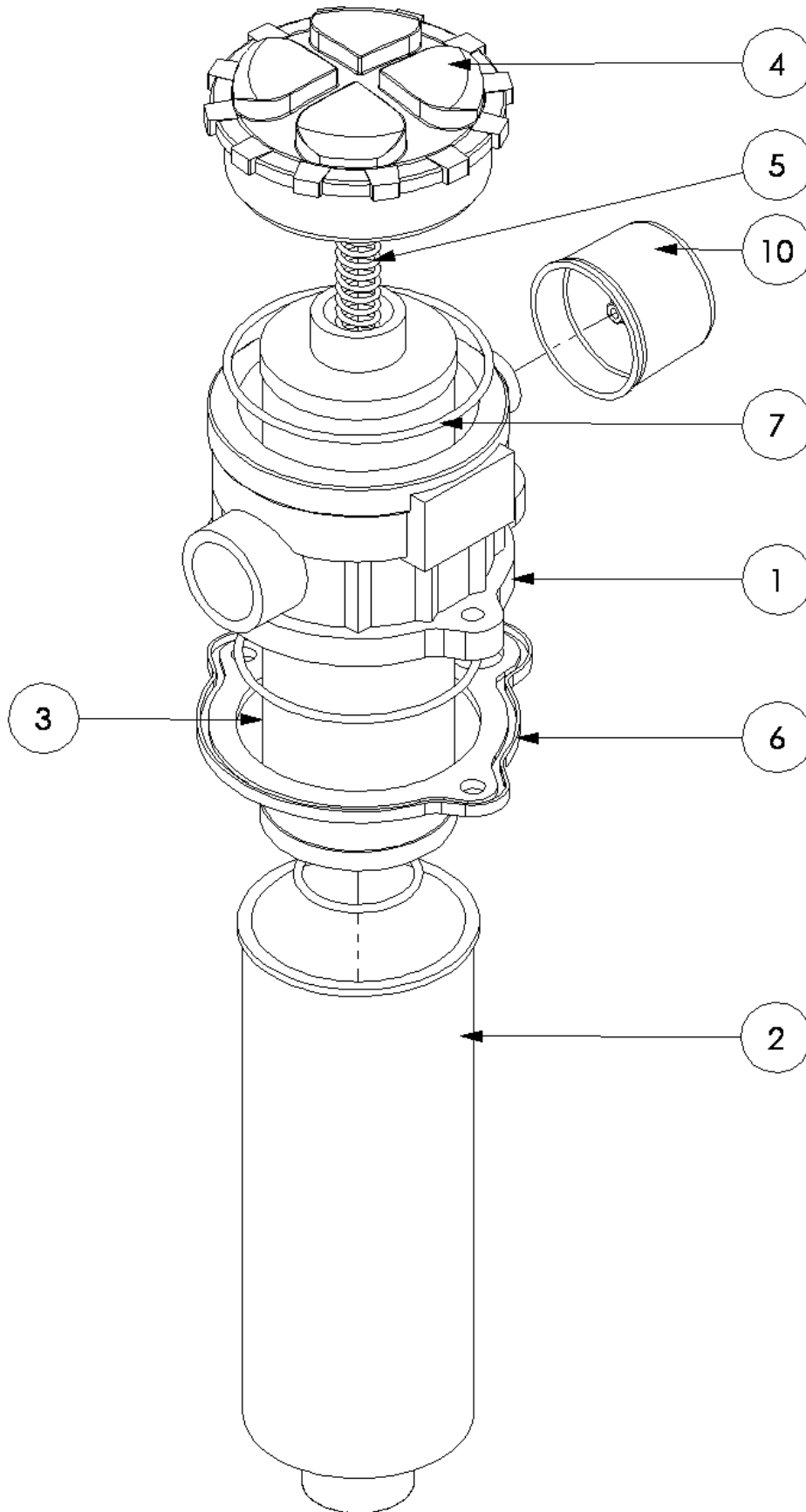
7434502 - TANK MODULE LH



7434502 - TANK MODULE LH

| Ref | Part No | Description | Qty |
|-----|-----------|-------------------|-----|
| 1 | 41196.12 | W/ASSY TANK LH | 1 |
| 2 | 41196.55 | TANK STRAP | 1 |
| 3 | 9313065 | SCREW | 3 |
| 4 | 9313055 | SCREW | 1 |
| 5 | 9313054 | SCREW | 2 |
| 6 | 9313043 | SCREW | 3 |
| 7 | 9163005 | NUT | 4 |
| 8 | 8581203 | PLUG | 1 |
| 9 | 212.013 | FILTER ASSY 100 L | 1 |
| 10 | 46505.01 | HOLDER | 1 |
| 11 | 9100103 | WASHER | 3 |
| 12 | 9100203 | WASHER | 3 |
| 13 | 9113003 | NUT | 3 |
| 14 | 08.921.01 | FLUID LEVEL GAUGE | 1 |

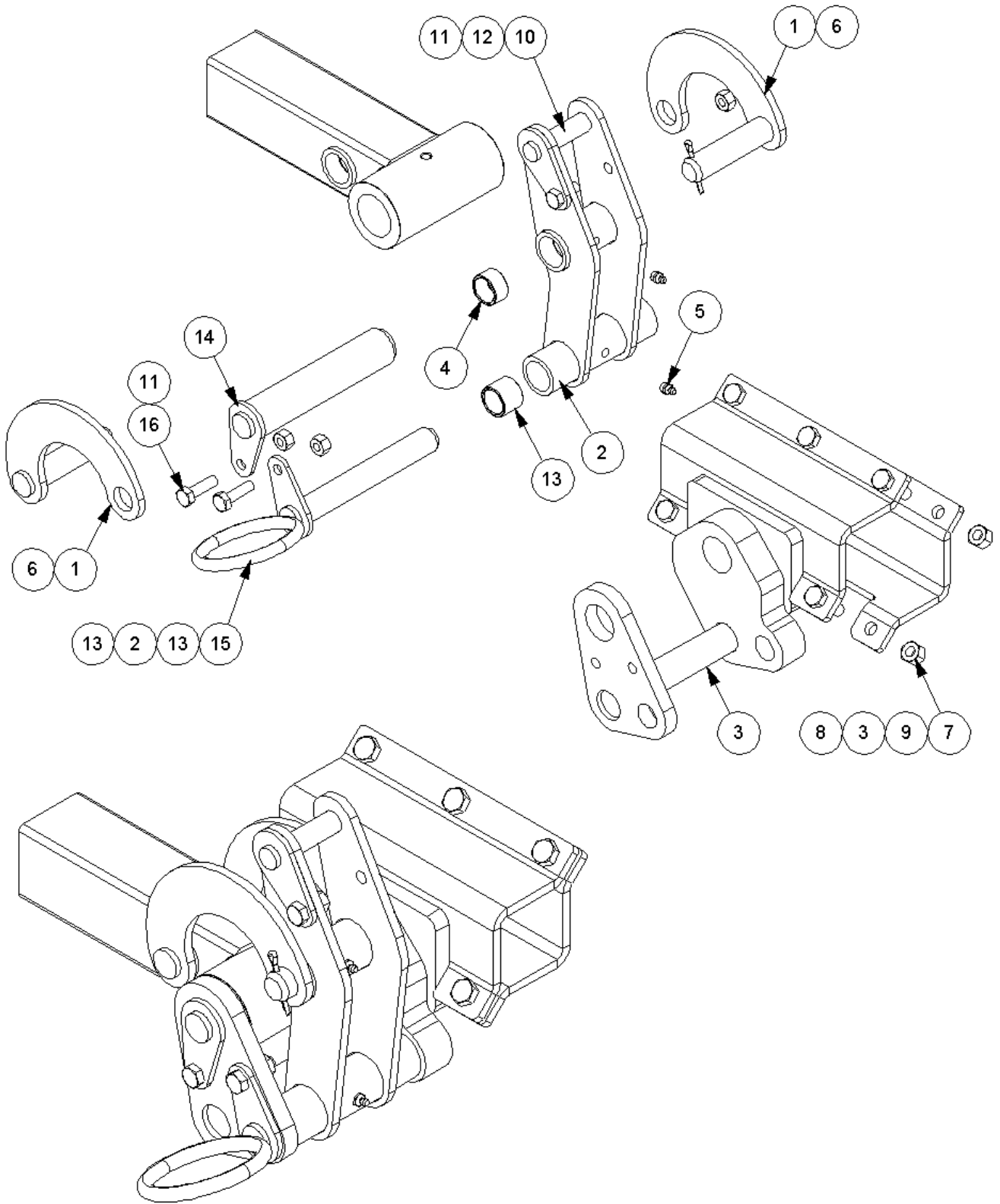
212.013 - FILTER ASSY 100 L



212.013 - FILTER ASSY 100 L

| Ref | Part No | Description | Qty |
|-----|------------|-------------|-----|
| 1 | 212.013.01 | FILTER BODY | 1 |
| 2 | 212.013.02 | HOUSING | 1 |
| 3 | 8401095 | ELEMENT | 1 |
| 4 | 212.013.04 | FILLER CAP | 1 |
| 5 | 212.013.05 | SPRING | 1 |
| 6 | 212.013.10 | SEAL KIT | 1 |
| 10 | 8401096 | BREATHER | 1 |

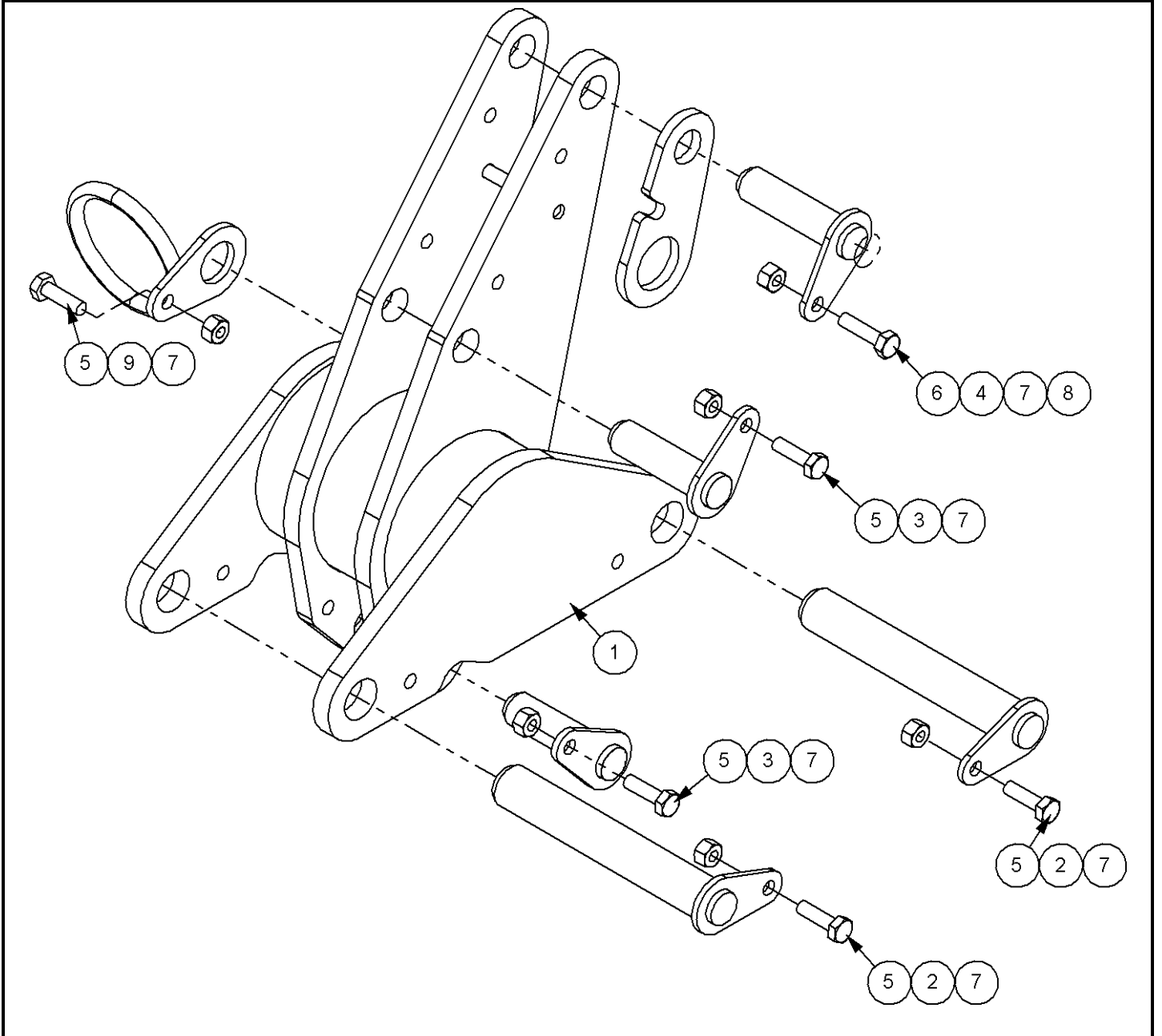
7434511 B - ANGLING GEAR



7434511 B - ANGLING GEAR

| Ref | Part No | Description | Qty |
|-----|----------|-------------------|-----|
| 1 | 41206.02 | RADIUS ARM TYPE 2 | 2 |
| 2 | 41207.03 | SLAVE LINK W/ASSY | 1 |
| 3 | 41261.15 | BRACKET -RH | 1 |
| 4 | 7214060 | BUSH | 2 |
| 5 | 0901121 | GREASER | 2 |
| 6 | 9501406 | PIN | 2 |
| 7 | 9163006 | NUT | 5 |
| 8 | 9313086 | SCREW | 5 |
| 9 | 21873.01 | PLATE | 1 |
| 10 | 41270.01 | PIN | 1 |
| 11 | 9163005 | NUT | 3 |
| 12 | 9313055 | SCREW | 1 |
| 13 | 41690.01 | BUSH | 2 |
| 14 | 21971.01 | PIN | 1 |
| 15 | 21970.02 | PIN W/ASSY | 1 |
| 16 | 9313075 | SCREW | 2 |

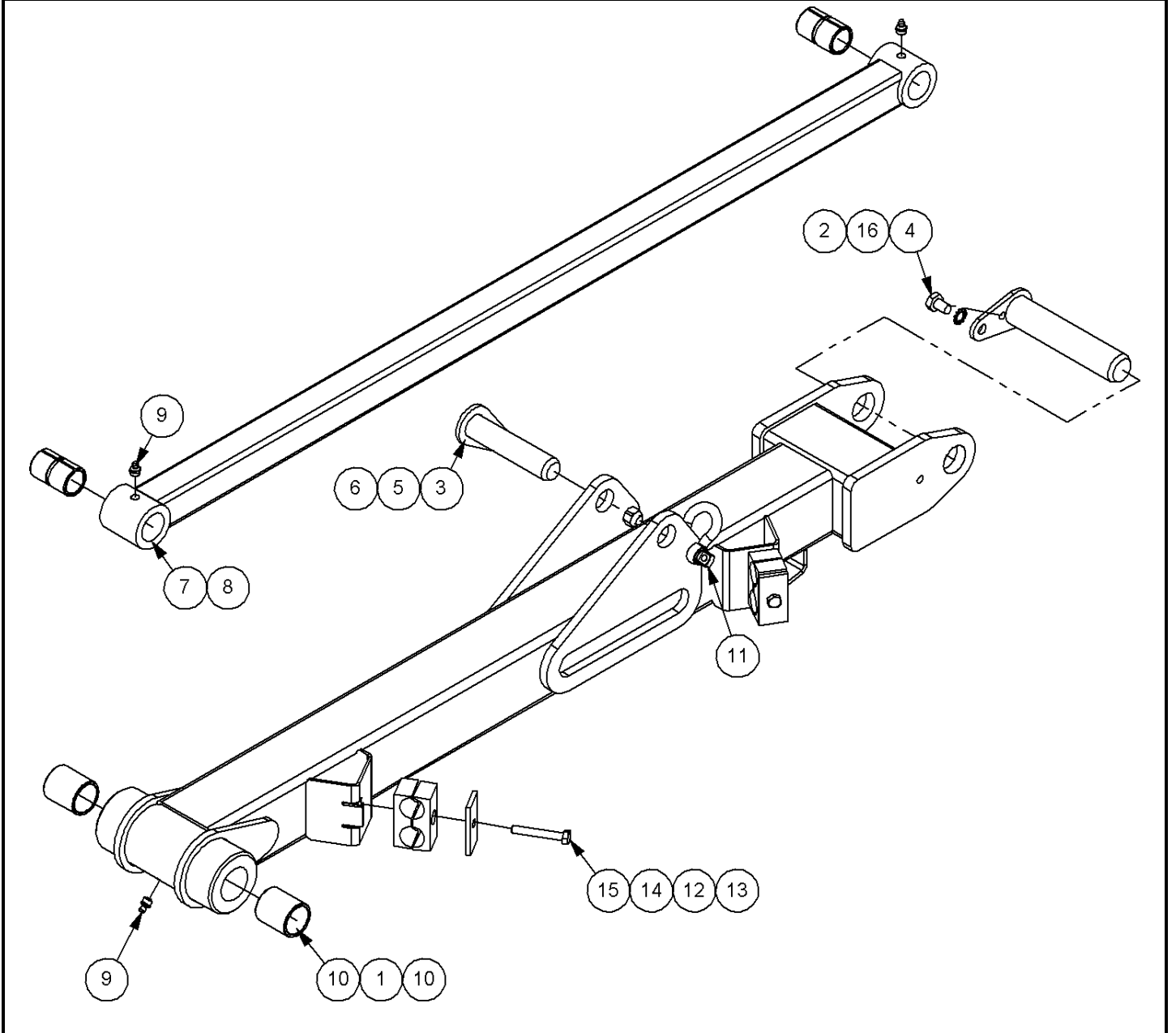
7434514 - ROCKER MODULE



7434514 - ROCKER MODULE

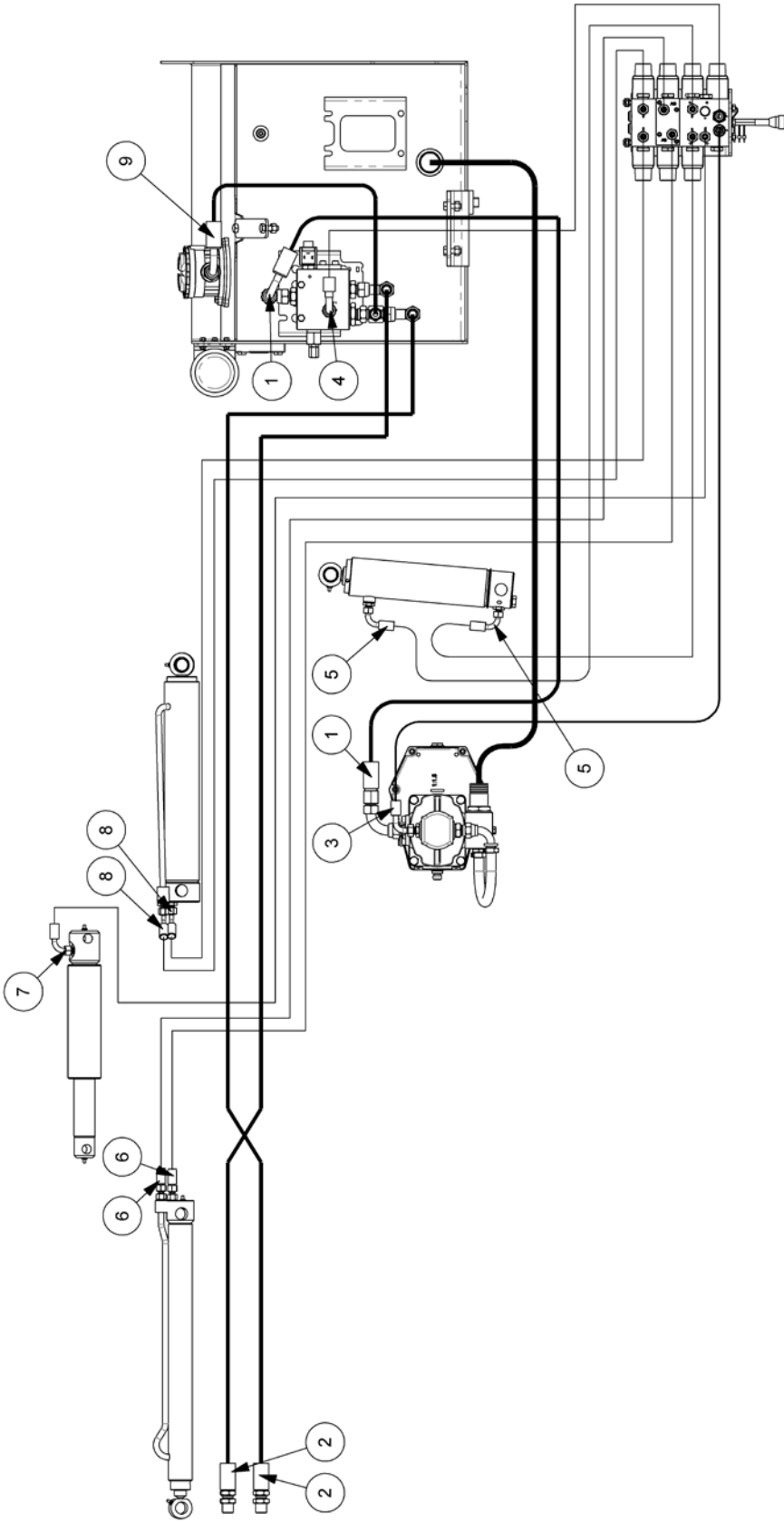
| Ref | Part No | Description | Qty |
|-----|----------|------------------|-----|
| 1 | 41198.08 | ROCKER W/ASSY | 1 |
| 2 | 41268.02 | PIN | 2 |
| 3 | 41267.09 | PIN W/ASSY | 2 |
| 4 | 41267.03 | PIN | 1 |
| 5 | 9313075 | SCREW | 5 |
| 6 | 9313085 | SCREW | 1 |
| 7 | 9163005 | NUT | 6 |
| 8 | 22667.02 | SLINGING EYE | 1 |
| 9 | 43158.02 | HOSE LOOP W/ASSY | 1 |

7434516 - MAIN ARM MODULE



7434516 - MAIN ARM MODULE

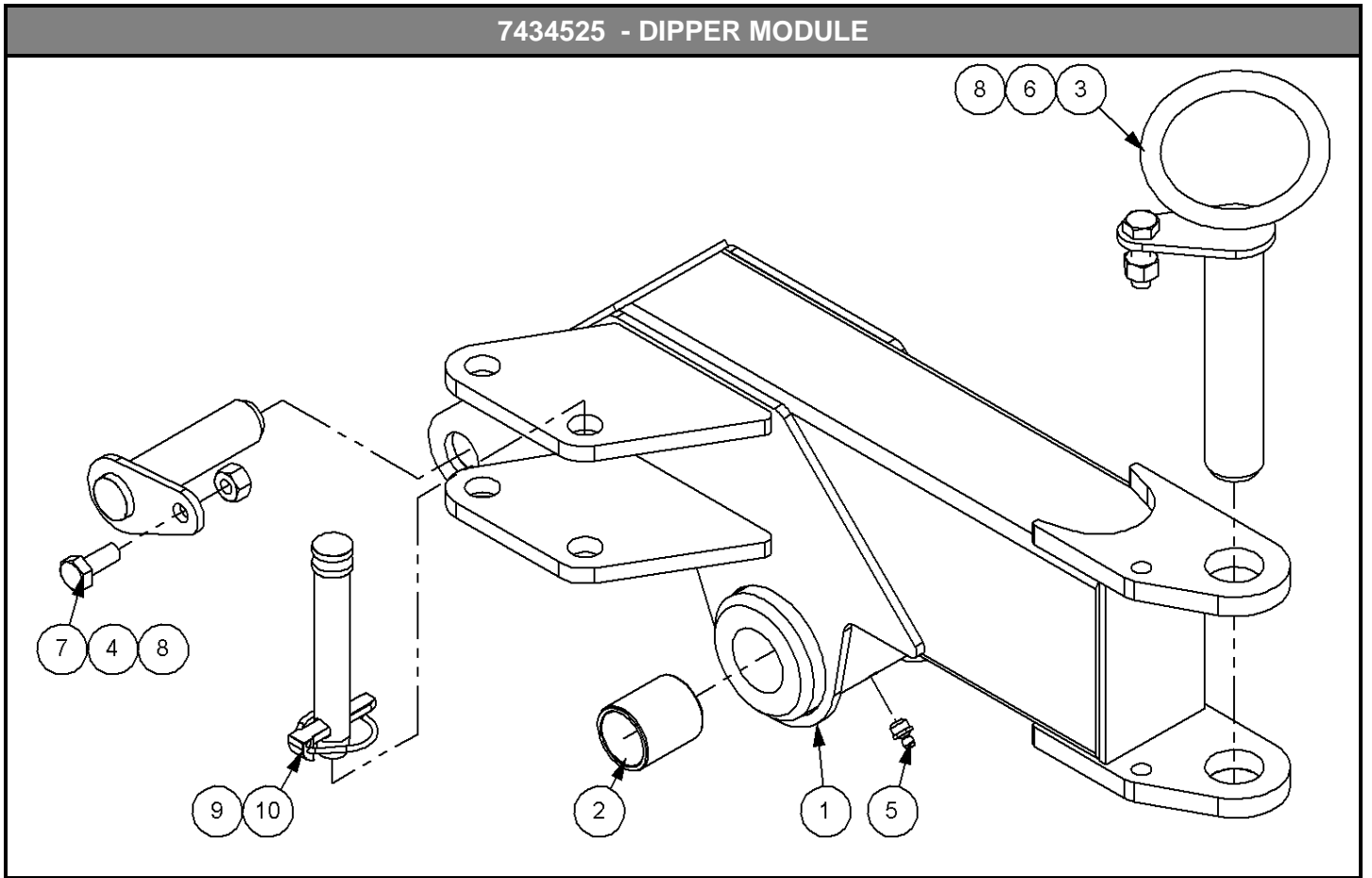
| Ref | Part No | Description | Qty |
|-----|-----------|---------------------|-----|
| 1 | 41199.10 | W/ASSY MAIN ARM | 1 |
| 2 | 41268.01 | PIN | 1 |
| 3 | 41267.04 | PIN | 1 |
| 4 | 9313035 | SCREW | 1 |
| 5 | 9313065 | SCREW | 1 |
| 6 | 9163005 | NUT | 1 |
| 7 | 22887.01 | TENSION LINK W/ASSY | 1 |
| 8 | 7105050 | BUSH | 2 |
| 9 | 0901121 | GREASER | 3 |
| 10 | 21149.01 | BUSH | 2 |
| 11 | 22668.02 | SLINGING SHACKLE | 1 |
| 12 | 06.430.09 | CLAMP (2 PCS) | 2 |
| 13 | 9163004 | NUT | 2 |
| 14 | 06.418.03 | PLATE | 2 |
| 15 | 9213114 | BOLT | 2 |
| 16 | 9100405 | WASHER | 1 |



743452230 - HOSE KIT

| ITEM NO. | QTY. | PART NUMBER | DESCRIPTION |
|----------|------|-------------|------------------------------|
| 1 | 1 | 10.008.16 | 5/8"BSP FS/F90 800MM LG HOSE |
| 2 | 2 | 10.081.44 | 5/8"BSP FS/FS 3400MM LG HOSE |
| 3 | 1 | 10.004.13 | 3/8"BSP FS/F90 650LG HOSE |
| 4 | 1 | 10.006.12 | 1/2" BSP FS/F90 600 |
| 5 | 2 | 10.002.19 | 1/4"BSP FS/F90 950 |
| 6 | 2 | 10.001.39 | 1/4"BSP FS/FS 2900 |
| 7 | 1 | 10.002.39 | 1/4"BSP FS/F90 2900 |
| 8 | 2 | 10.017.31 | 1/4" BSP FS/F135 2100LG |
| 9 | 1 | 10.008.14 | 5/8"BSP FS/F90 700MM LG HOSE |

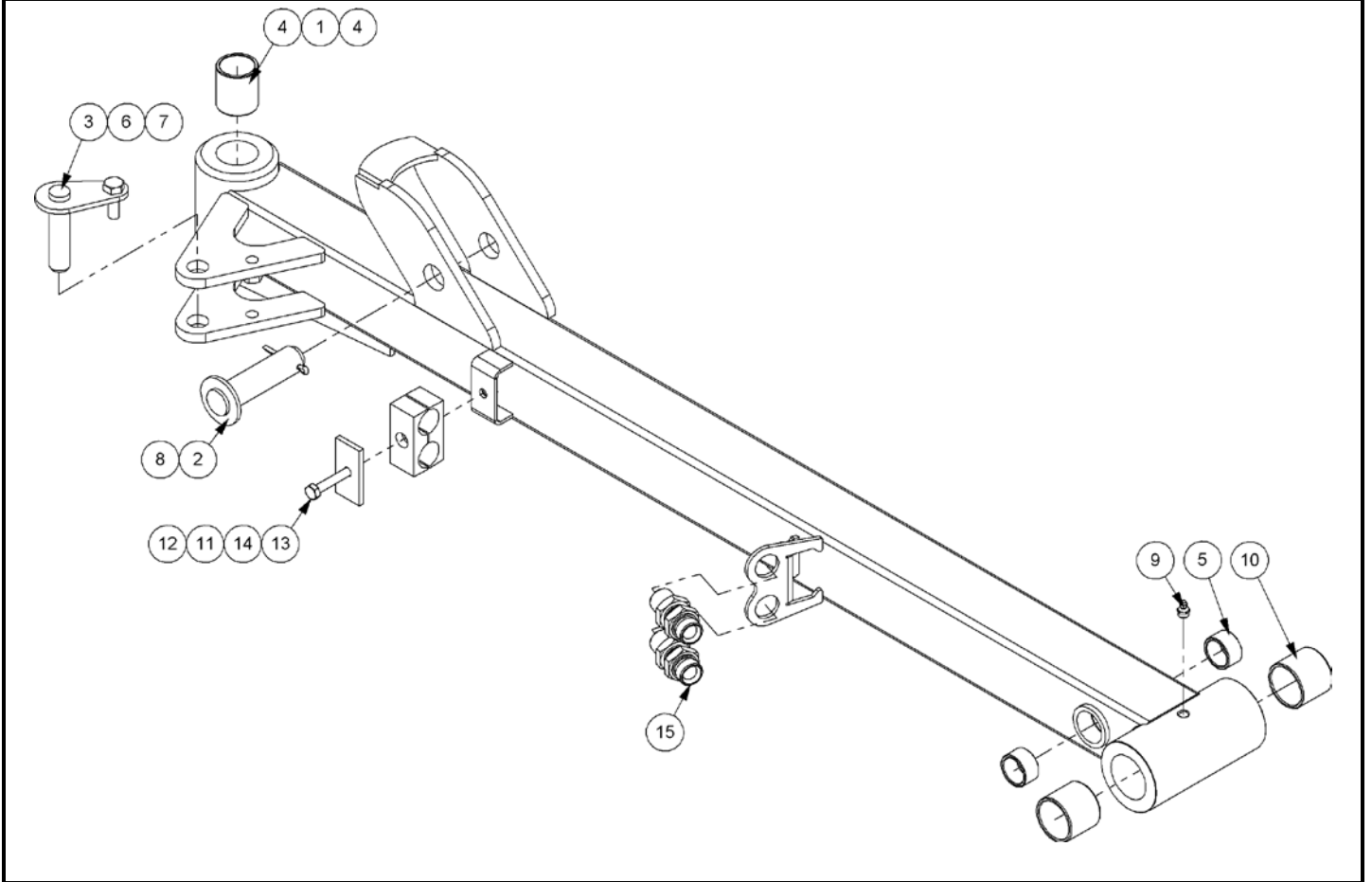
7434525 - DIPPER MODULE



7434525 - DIPPER MODULE

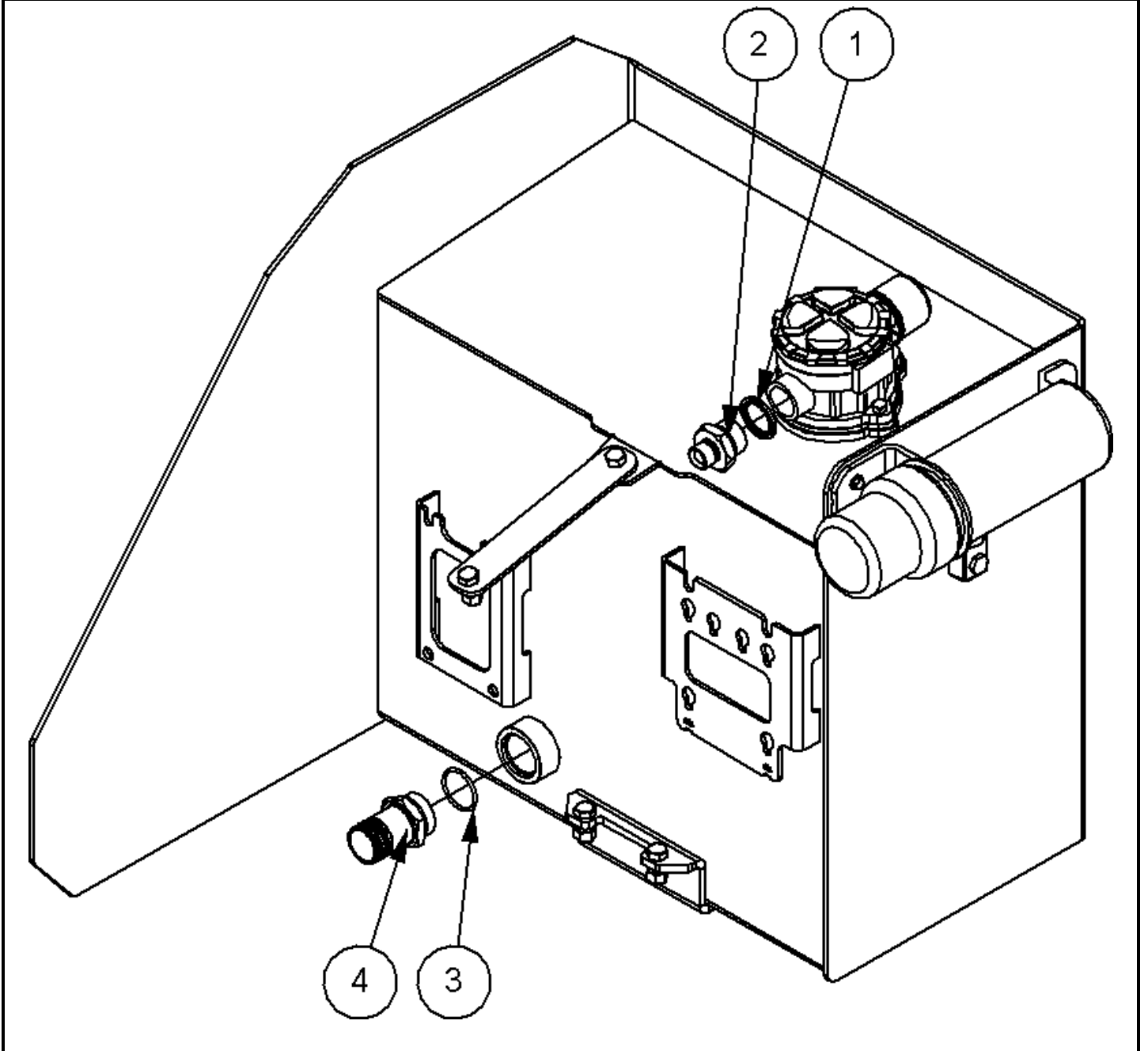
| Ref | Part No | Description | Qty |
|-----|----------|---------------------|-----|
| 1 | 41201.08 | W/ASSY DIPPER UPPER | 1 |
| 2 | 21149.01 | BUSH | 2 |
| 3 | 41269.01 | PIN | 1 |
| 4 | 41267.03 | PIN | 1 |
| 5 | 0901121 | GREASER | 1 |
| 6 | 9313075 | SCREW | 1 |
| 7 | 9313055 | SCREW | 1 |
| 8 | 9163005 | NUT | 2 |
| 9 | 6310202 | PIN | 1 |
| 10 | 0431217 | PIN | 1 |

7434533 - MODULE DIPPER RH



7434533 - MODULE DIPPER RH

| Ref | Part No | Description | Qty |
|-----|-----------|---------------|-----|
| 1 | 41202.06 | ARM -RH | 1 |
| 2 | 7191041 | PIN | 1 |
| 3 | 41270.01 | PIN | 1 |
| 4 | 21149.01 | BUSH | 2 |
| 5 | 7214060 | BUSH | 2 |
| 6 | 9313065 | SCREW | 1 |
| 7 | 9163005 | NUT | 1 |
| 8 | 9501406 | PIN | 1 |
| 9 | 0901121 | GREASER | 3 |
| 10 | 7213023 | BUSH | 2 |
| 11 | 06.430.09 | CLAMP (2 PCS) | 1 |
| 12 | 9163004 | NUT | 1 |
| 13 | 9213114 | BOLT | 1 |
| 14 | 06.418.03 | PLATE | 1 |

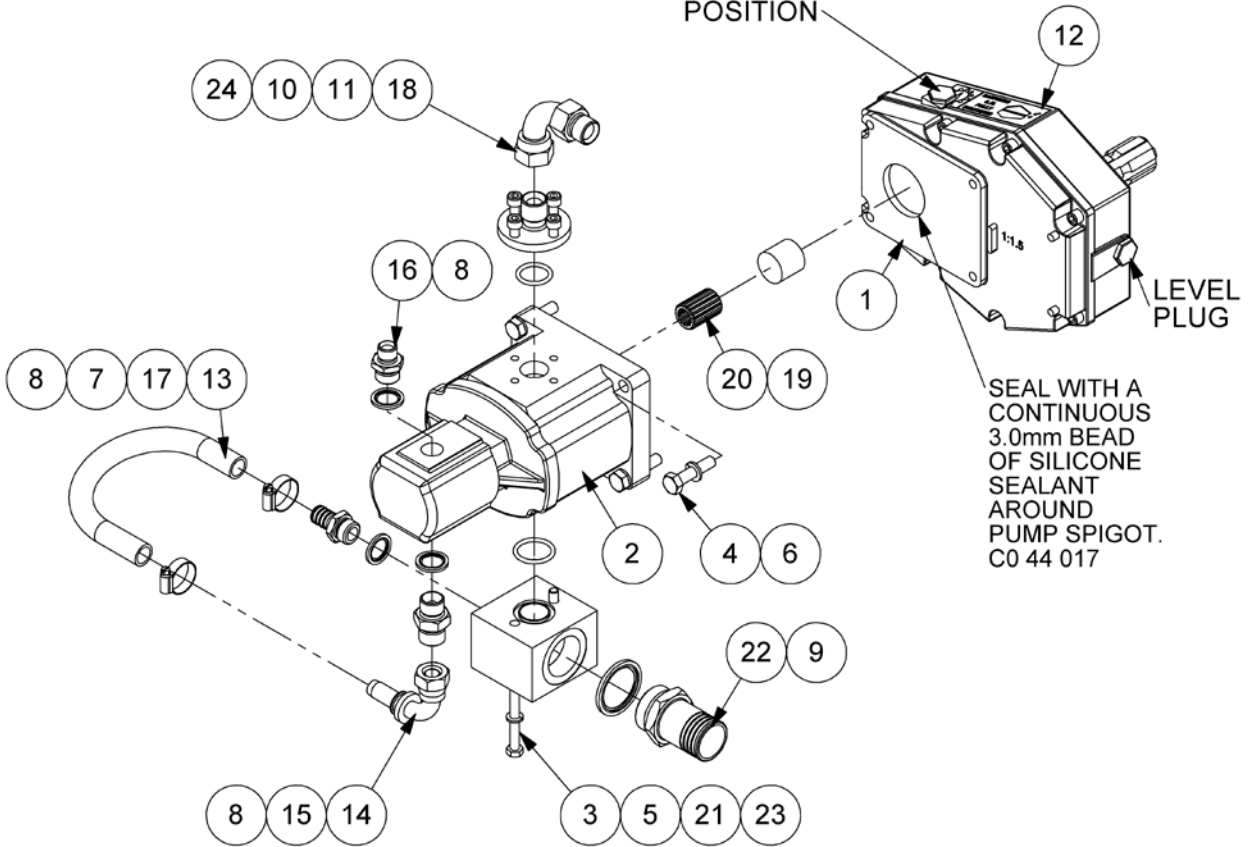


7434540 - TANK FITTINGS

| Ref | Part No | Description | Qty |
|-----|---------|-------------|-----|
| 1 | 8650108 | SEAL | 1 |
| 2 | 8581378 | ADAPTOR | 1 |
| 3 | 8700784 | "O" RING | 1 |
| 4 | 8581260 | ADAPTOR | 1 |

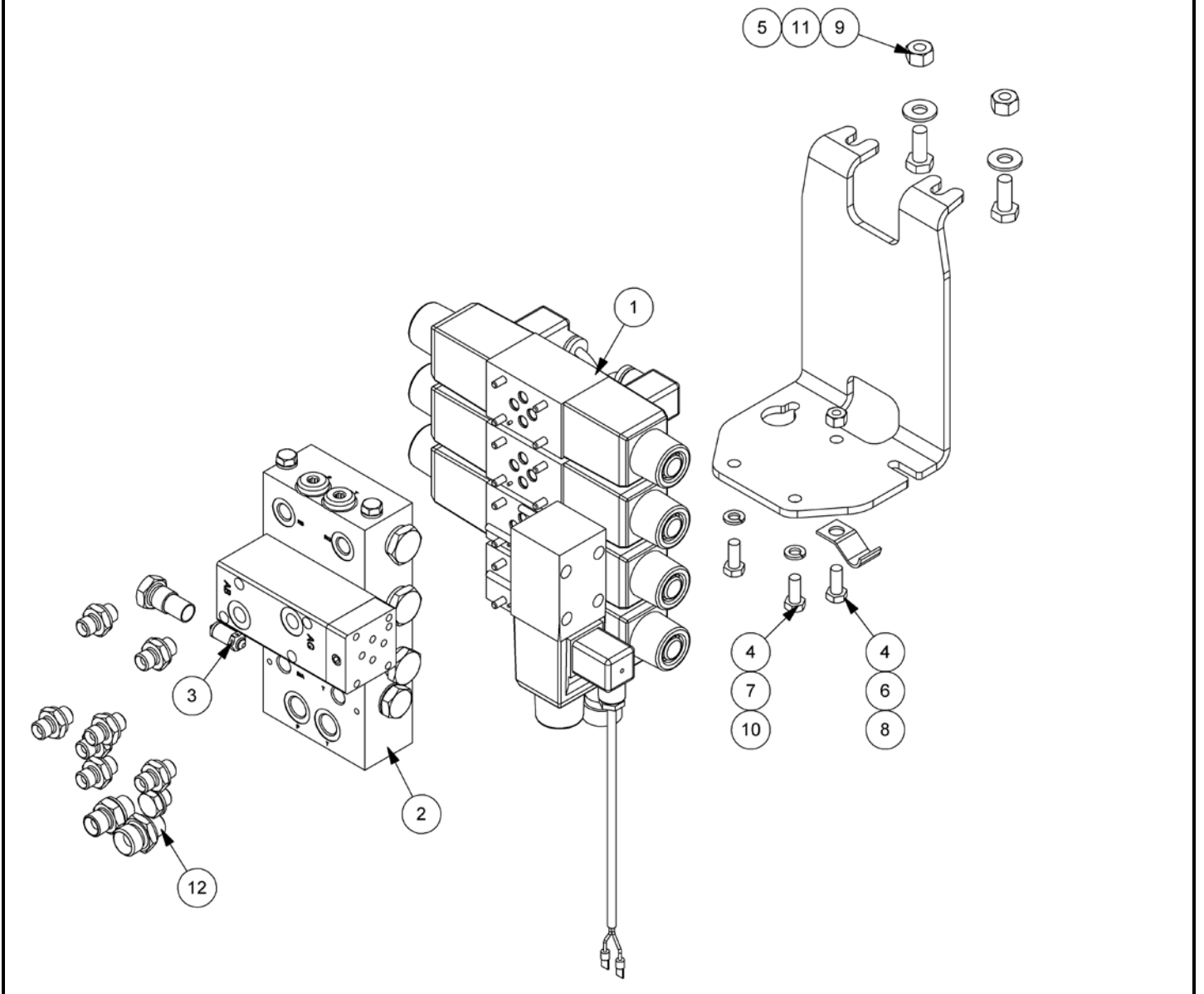
7434547 - PUMP AND GEARBOX ASS

BREATHER
POSITION



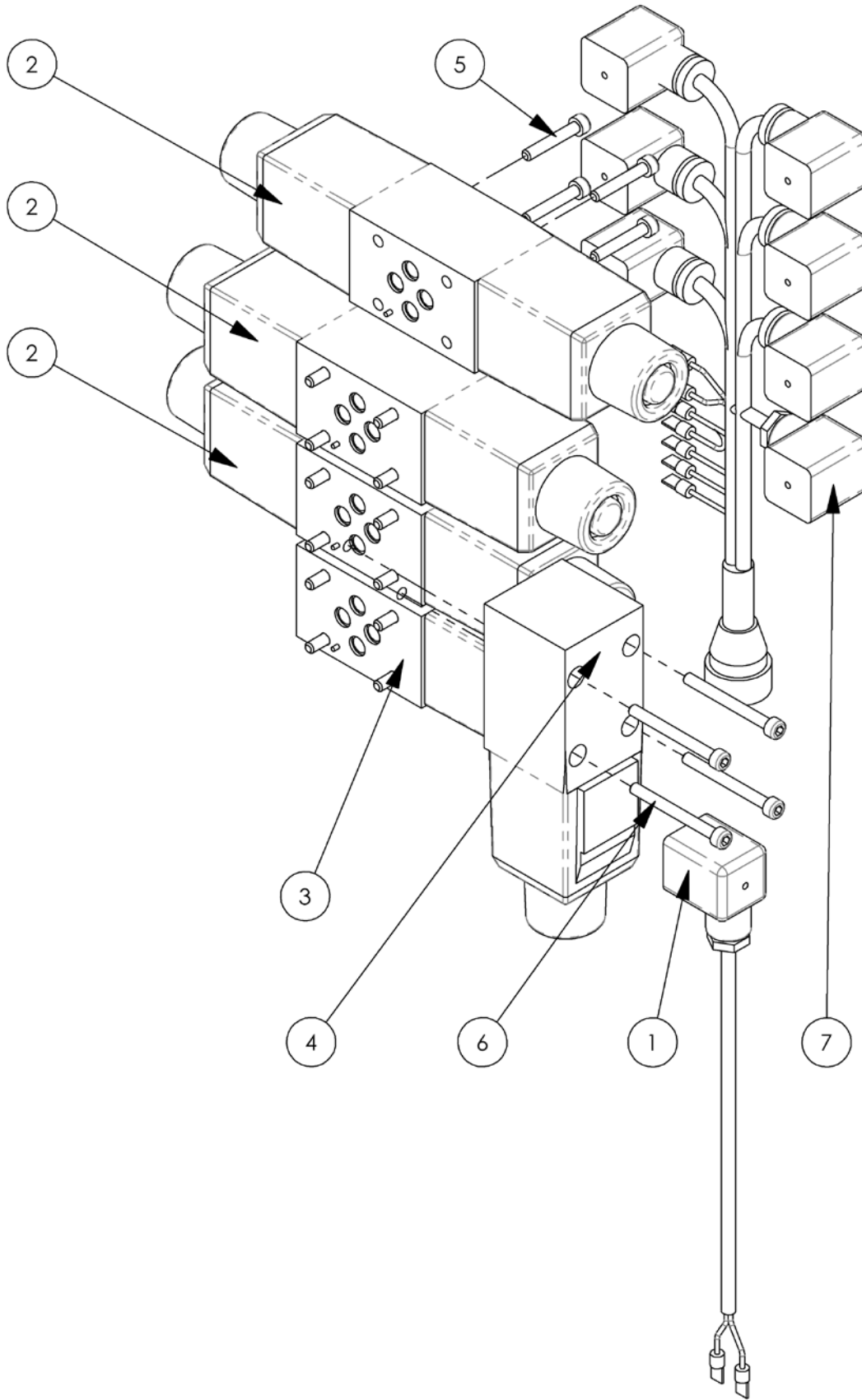
7434547 - PUMP AND GEARBOX ASS

| ITEM NO. | PART NUMBER | DESCRIPTION | QTY. |
|----------|-------------|------------------------|------|
| 1 | 8013570 | GEARBOX RATIO 1:1.5 | 1 |
| 2 | 8201693 | TANDEM GEAR PUMP ALUM. | 1 |
| 3 | 9213144 | BOLT | 2 |
| 4 | 9213095 | BOLT | 4 |
| 5 | 9100204 | SPRING WASHER | 2 |
| 6 | 9100205 | SPRING WASHER | 4 |
| 7 | 8002059 | RETURN CONNECTION | 1 |
| 8 | 8650104 | BONDED SEAL | 3 |
| 9 | 8650109 | BONDED SEAL | 1 |
| 10 | 8013083 | PUMP DELIVERY CONN | 1 |
| 11 | 9300147 | CAP SCREW | 4 |
| 12 | 1290030 | GEARBOX LABEL BREVINI | 1 |
| 13 | 8501099 | RUBBER HOSE | 1 |
| 14 | 8581173 | SWEPT 90 L.P | 1 |
| 15 | G3812120 | ADAPTOR | 1 |
| 16 | 6000112 | ADAPTOR | 1 |
| 17 | 0904204 | HOSE CLIP | 2 |
| 18 | 8581565 | ADAPTOR SWEPT 90 MF | 1 |
| 19 | 42415.02 | SPACER | 1 |
| 20 | 8013097 | COUPLING 13T-18T | 1 |
| 21 | 8581577 | SUCTION BLOCK | 1 |
| 22 | 8581260 | ADAPTOR | 1 |
| 23 | 8600122 | O RING | 1 |
| 24 | 8600119 | O RING | 1 |



7434557 - ACV ASSY

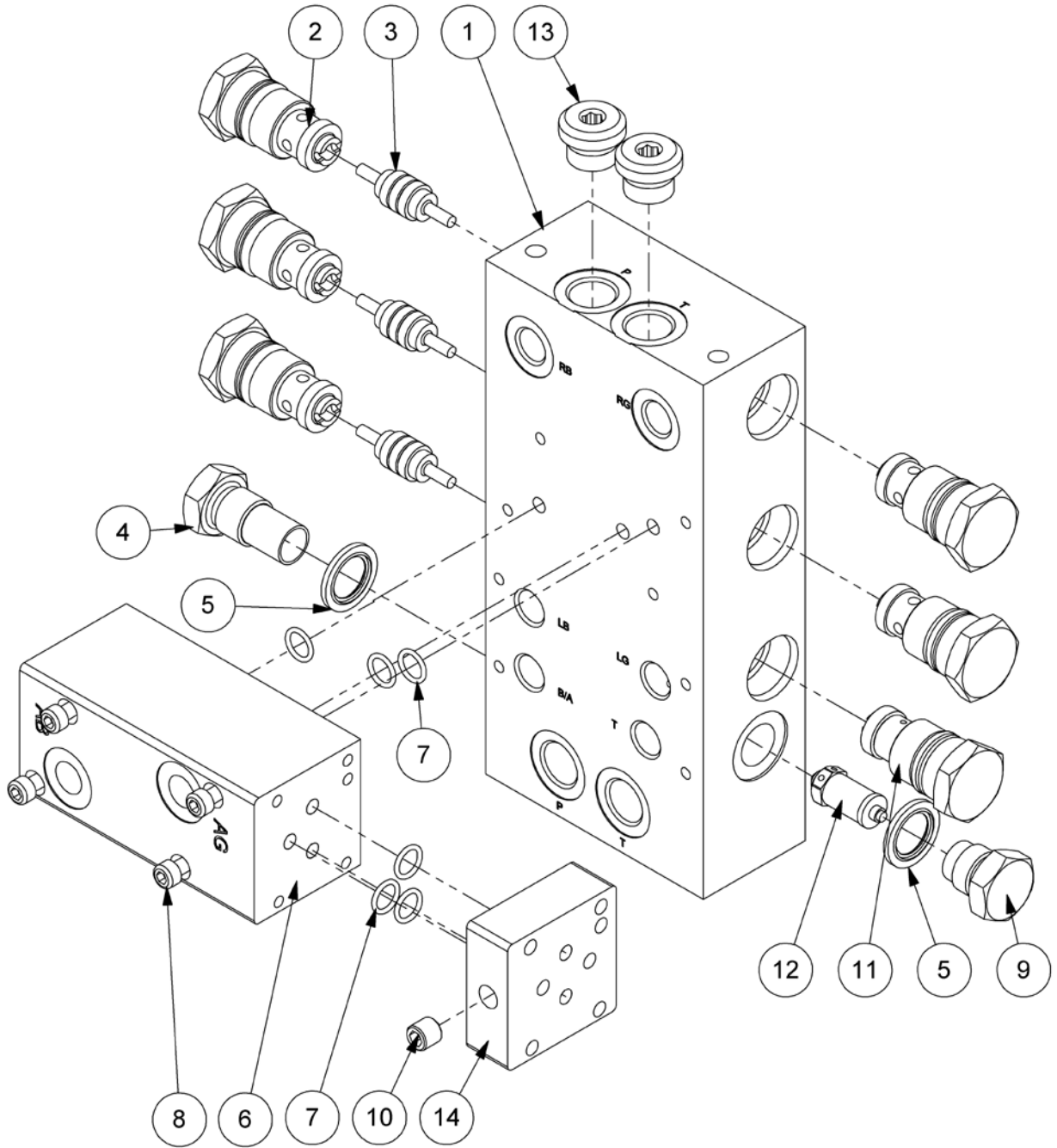
| ITEM NO. | PART NUMBER | DESCRIPTION | QTY. |
|----------|-------------|---|------|
| 1 | 22525.08 | CONTROL SOLENOIDS ASSY-ELEC XTC 3 BANK AF | 1 |
| 2 | 22523.20 | MANIFOLD ASSY - 3 BANK LG RV - C/W A.F | 1 |
| 3 | 8130029 | RELIEF VALVE 175BAR | 1 |
| 4 | 9313044 | SETSCREW | 5 |
| 5 | 9313055 | SETSCREW | 2 |
| 6 | 7109151 | CABLE CLAMP | 1 |
| 7 | 9100204 | SPRING WASHER | 4 |
| 8 | 9163004 | CLEVELOC | 1 |
| 9 | 9163005 | CLEVELOC | 2 |
| 10 | 41196.57 | VALVE SUPPORT PLATE | 1 |
| 11 | 9100105 | FLAT WASHER | 2 |
| 12 | 22524.48 | ADAPTOR KIT PA3430 / PA4330 PROP XTC | 1 |



22525.08 - CONTROL SOL.KIT

| ITEM NO. | QTY. | PART NO. | DESCRIPTION |
|----------|------|----------|-------------------------------|
| 1 | 1 | 8402338 | LOOM - ANGLE FLOAT |
| 2 | 3 | 41784.48 | DOUBLE SOL. PRP. VALVE 8l/min |
| 3 | 1 | 8130456 | CUT OFF SOLENOID VALVE |
| 4 | 1 | 8130457 | SOLENOID VALVE SINGLE |
| 5 | 16 | 9243062 | CAPSCREW |
| 6 | 4 | 9243102 | CAPSCREW |
| 7 | 1 | 41844.02 | LOOM 14 CORE PLUG IN 4.0m |

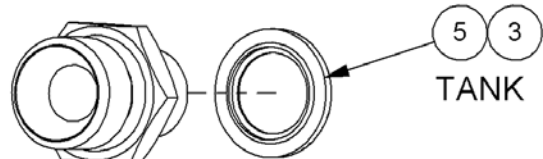
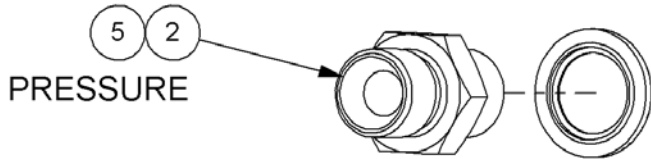
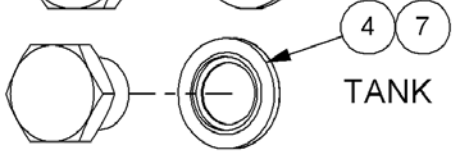
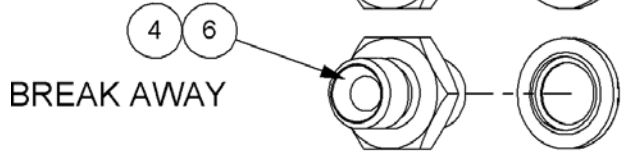
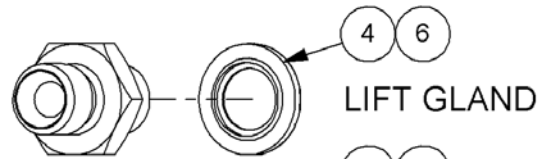
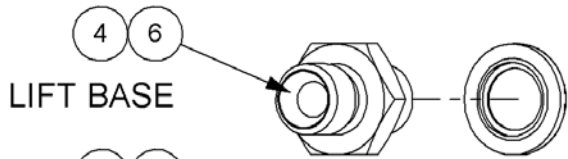
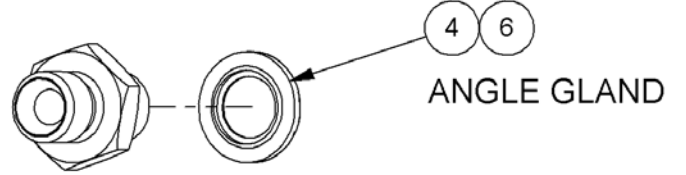
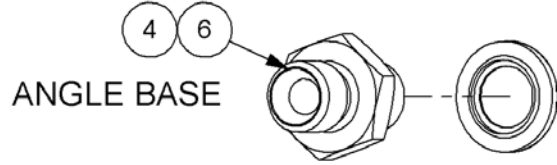
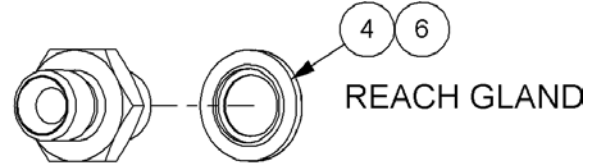
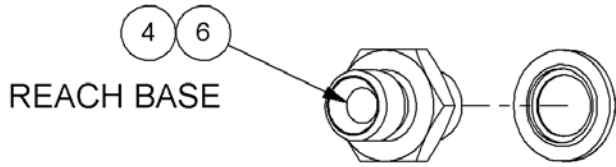
22523.20 - MANIFOLD ASSY



22523.20 - MANIFOLD ASSY

| ITEM NO. | QTY. | PART NO. | DESCRIPTION |
|----------|------|----------|---------------------------------|
| 1 | 1 | 8132309 | MANIFOLD 3 BANK LIFT / B.AWAY S |
| 2 | 5 | 8130090 | CHECK VALVE ASSY |
| 3 | 3 | 8130087 | ACTUATOR |
| 4 | 1 | 8130032 | RELIEF VALVE CAP |
| 5 | 2 | 8650103 | BONDED SEAL |
| 6 | 1 | 8126333 | FLOAT VALVE BLOCK |
| 7 | 6 | 8700511 | O RING |
| 8 | 4 | 9243082 | CAPSCREW |
| 9 | 1 | 8130031 | RELIEF VALVE CAP SHORT |
| 10 | 2 | 8582041 | TAPER PLUG |
| 11 | 1 | 8130354 | CHECK VALVE ASSY |
| 12 | 1 | 8130164 | RELIEF VALVE 50BAR |
| 13 | 2 | 8581436 | PLUG |
| 14 | 1 | 8126334 | BRIDGING PLATE |

22524.48 B - ADAPTOR KIT



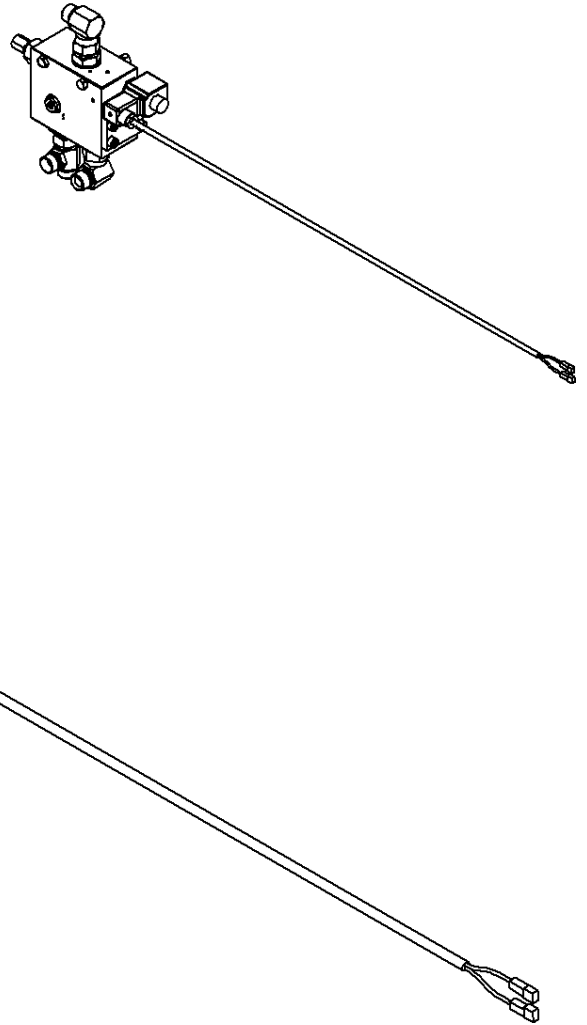
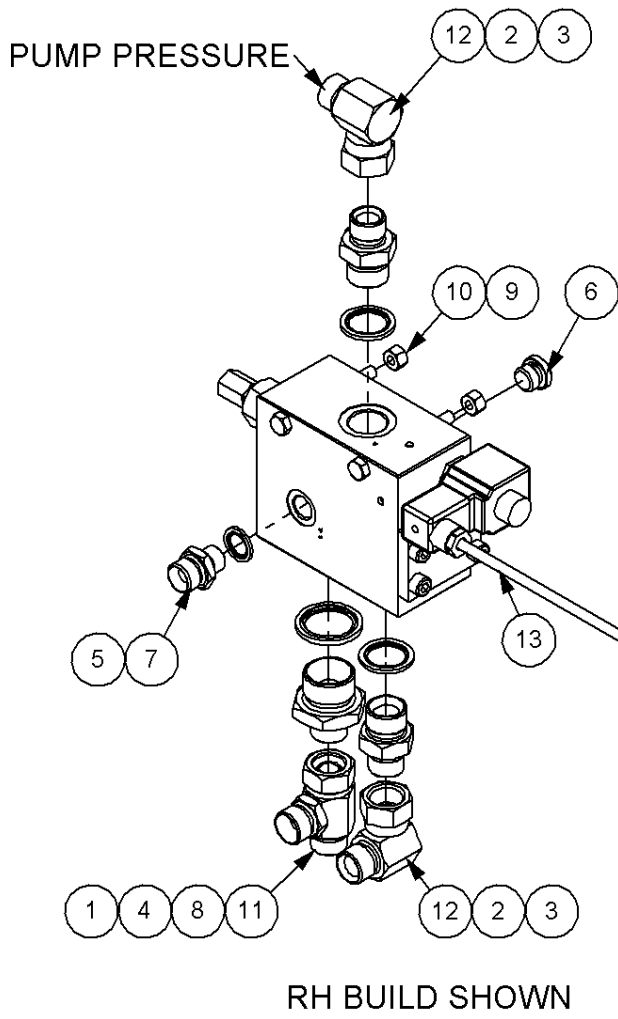
22524.48 B - ADAPTOR KIT

| Ref | Part No | Description | Qty |
|-----|---------|-------------|-----|
| 1 | 6000113 | ADAPTOR | 1 |
| 2 | 6000112 | ADAPTOR | 1 |
| 3 | 8650102 | SEAL | 8 |
| 4 | 8650103 | SEAL | 2 |
| 5 | 8581169 | ADAPTOR | 7 |
| 7 | 520378 | ADAPTOR | 1 |

7434568 B - RCV ON/OFF

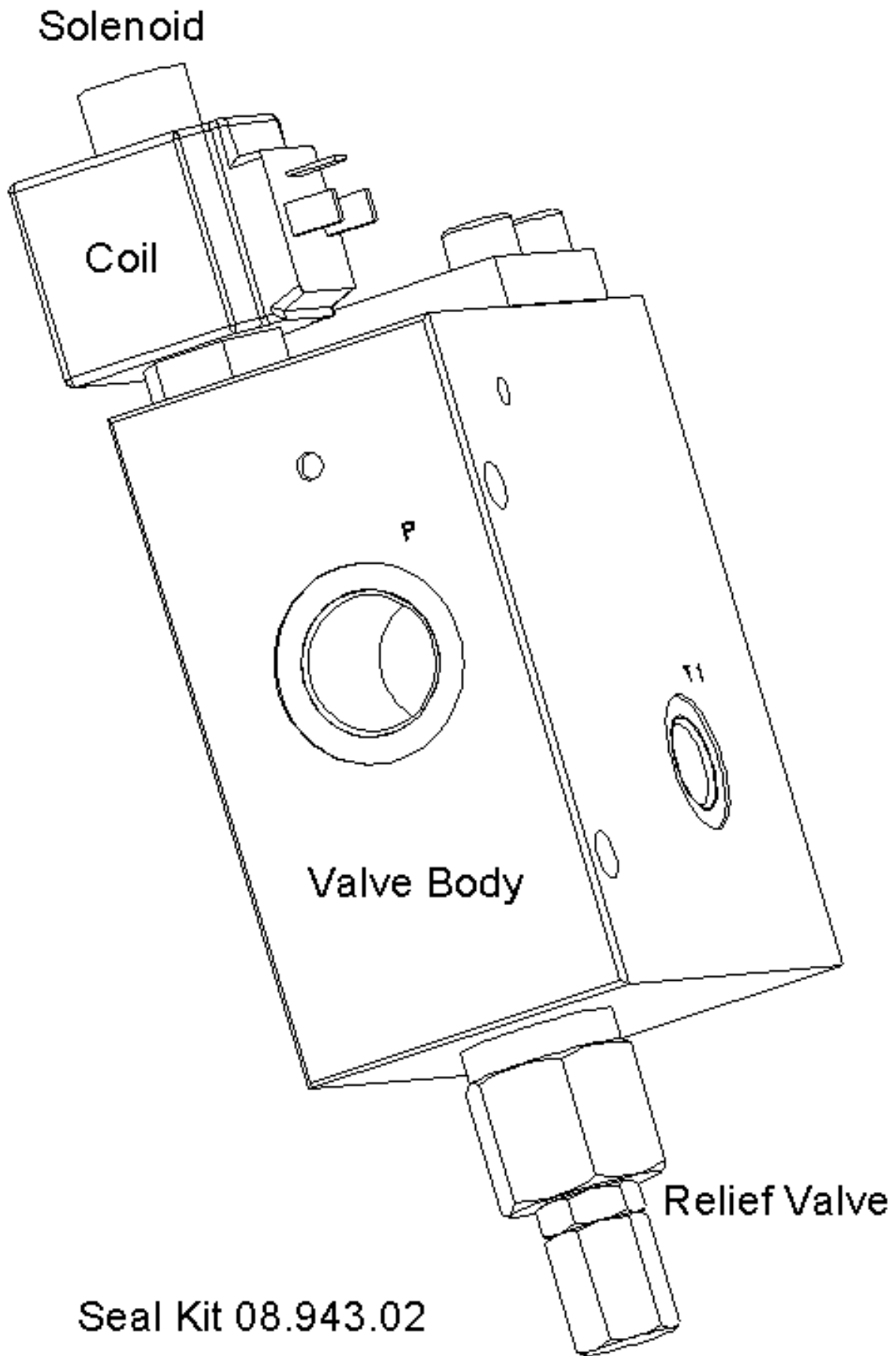
FOR LH BUILDS SWAP POSITIONS
OF ITEMS 6 WITH ITEMS 5 & 7.

LH BUILD



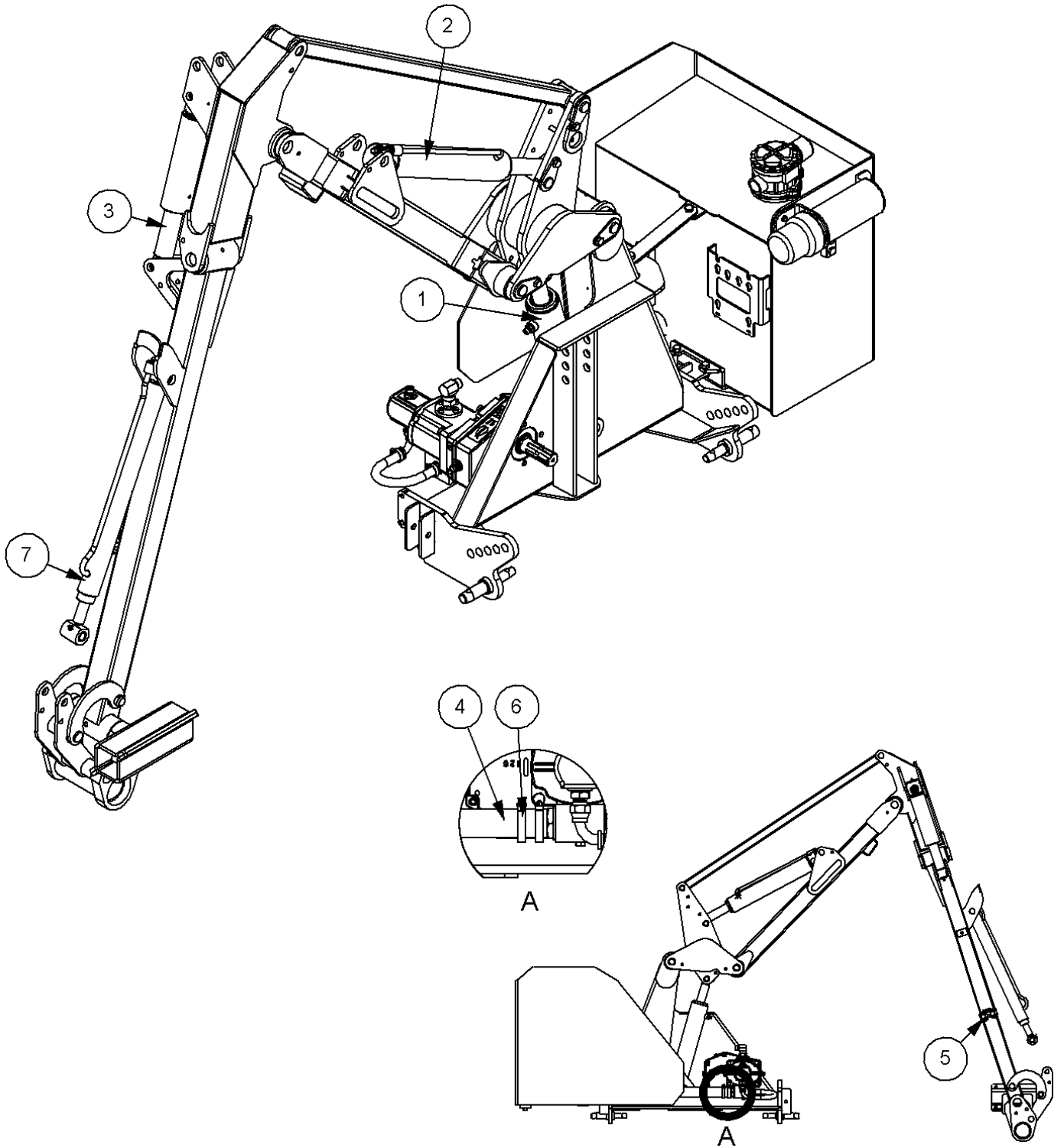
7434568 B - RCV ON/OFF

| Ref | Part No | Description | Qty |
|-----|-----------|-------------|-----|
| 1 | 08.943.01 | VALVE | 1 |
| 2 | 8581270 | ADAPTOR | 2 |
| 3 | 8650106 | SEAL | 2 |
| 4 | 8650108 | SEAL | 1 |
| 5 | 8650103 | SEAL | 1 |
| 6 | 8581436 | ADAPTOR | 1 |
| 7 | 6000112 | ADAPTOR | 1 |
| 8 | 8581378 | ADAPTOR | 1 |
| 9 | 9213164 | BOLT | 2 |
| 10 | 9163004 | NUT | 2 |
| 11 | 8581460 | ADAPTOR | 1 |
| 13 | 43177.29 | LOOM | 1 |



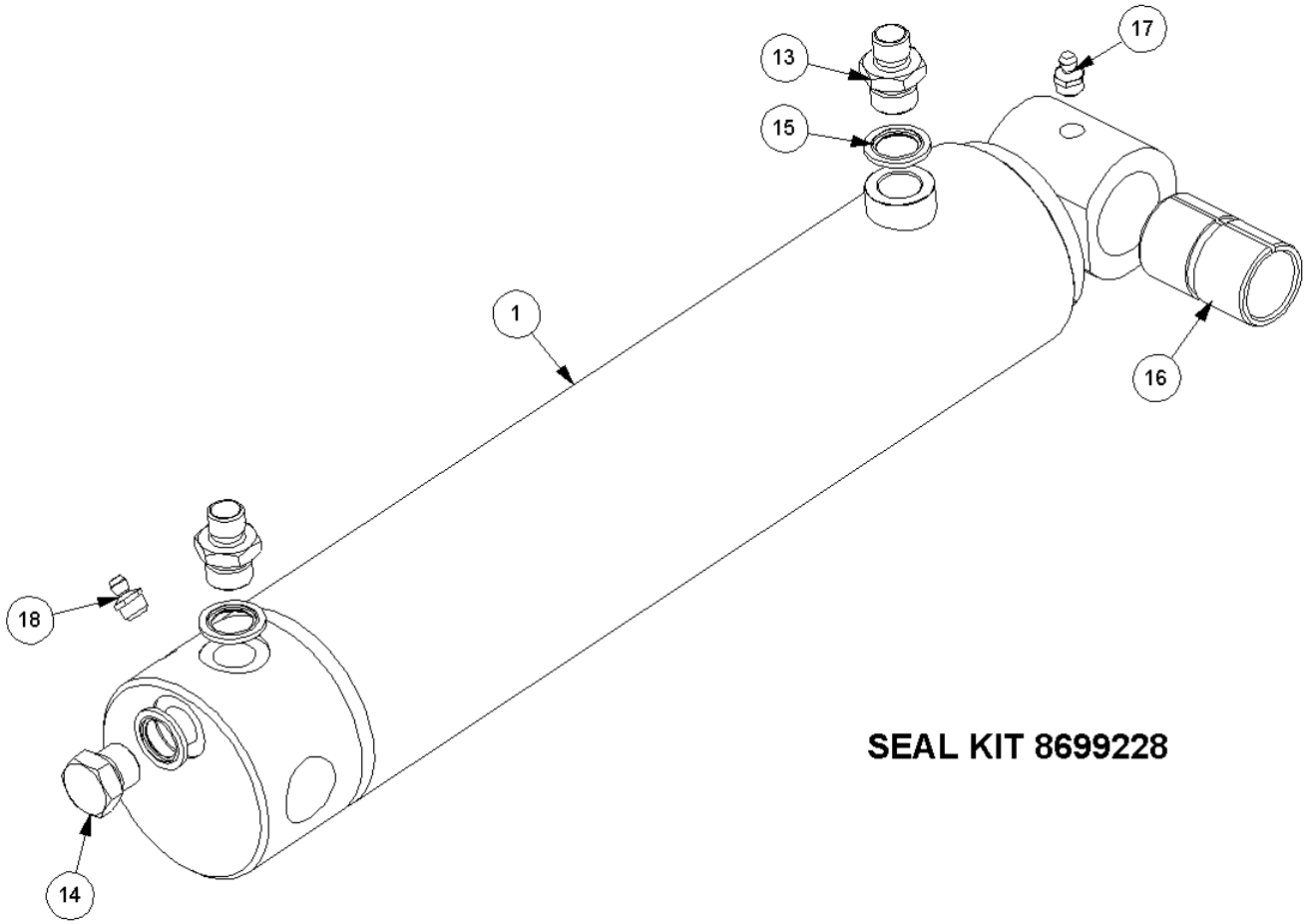
08.943.01 - VALVE

| Ref | Part No | Description | Qty |
|-----|-----------|--------------|-----|
| 0 | 08.943.02 | SEAL KIT | 1 |
| 0 | 08.943.20 | BODY ASSY | 1 |
| 0 | 08.943.21 | RELIEF VALVE | 1 |
| 0 | 08.943.22 | COIL | 1 |
| 0 | 08.943.23 | SOLENOID | 1 |



7434572 - HYD INST

| Ref | Part No | Description | Qty |
|-----|----------|-------------|-----|
| 1 | 41014.12 | RAM | 1 |
| 2 | 41015.03 | RAM ASSY | 1 |
| 3 | 41322.02 | RAM | 1 |
| 4 | 8501000 | HOSE | 635 |
| 5 | G3812119 | ADAPTOR | 2 |
| 6 | 0904107 | CLIP | 4 |
| 7 | 7191072 | RAM | 1 |
| 8 | 7196045 | HOSE TIE | 15 |

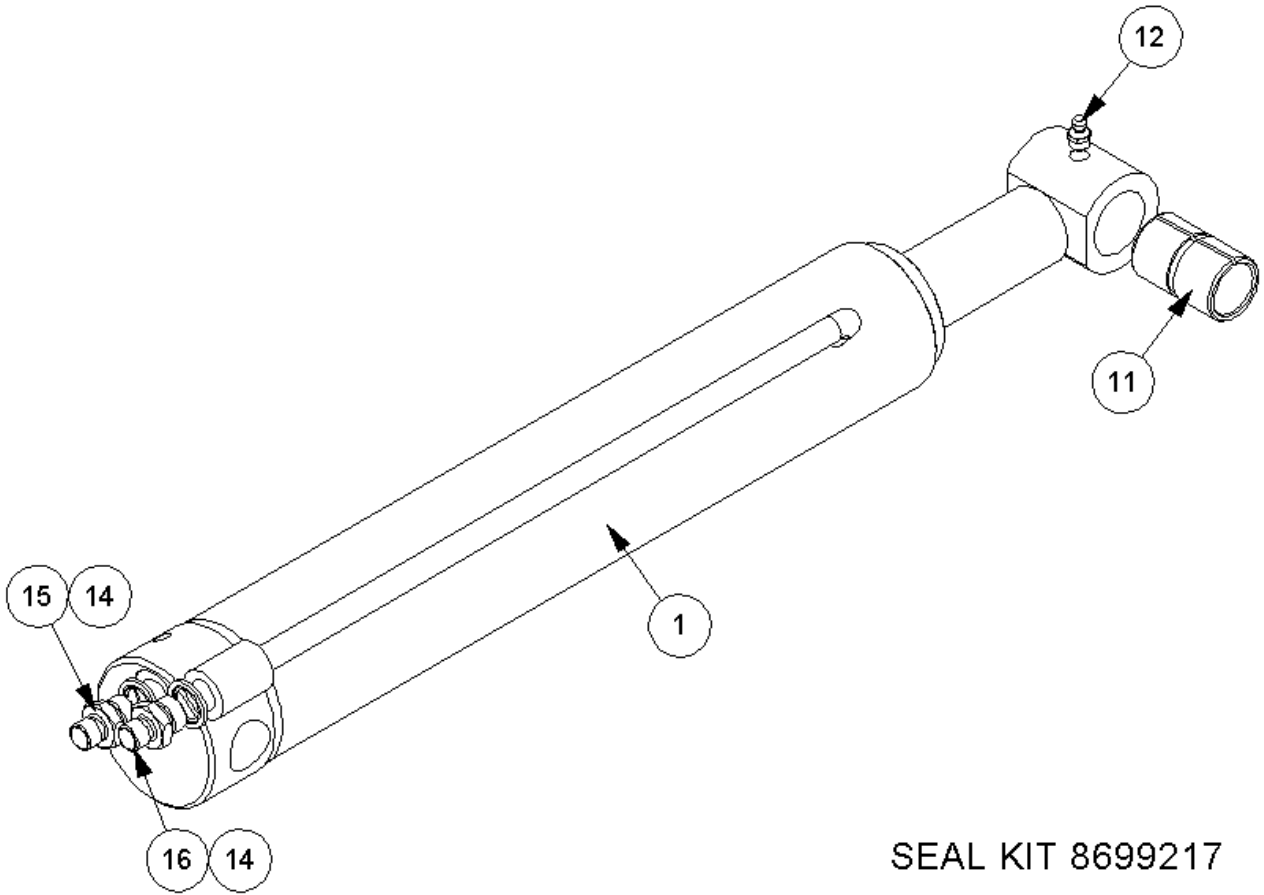


SEAL KIT 8699228

41014.12 C - RAM

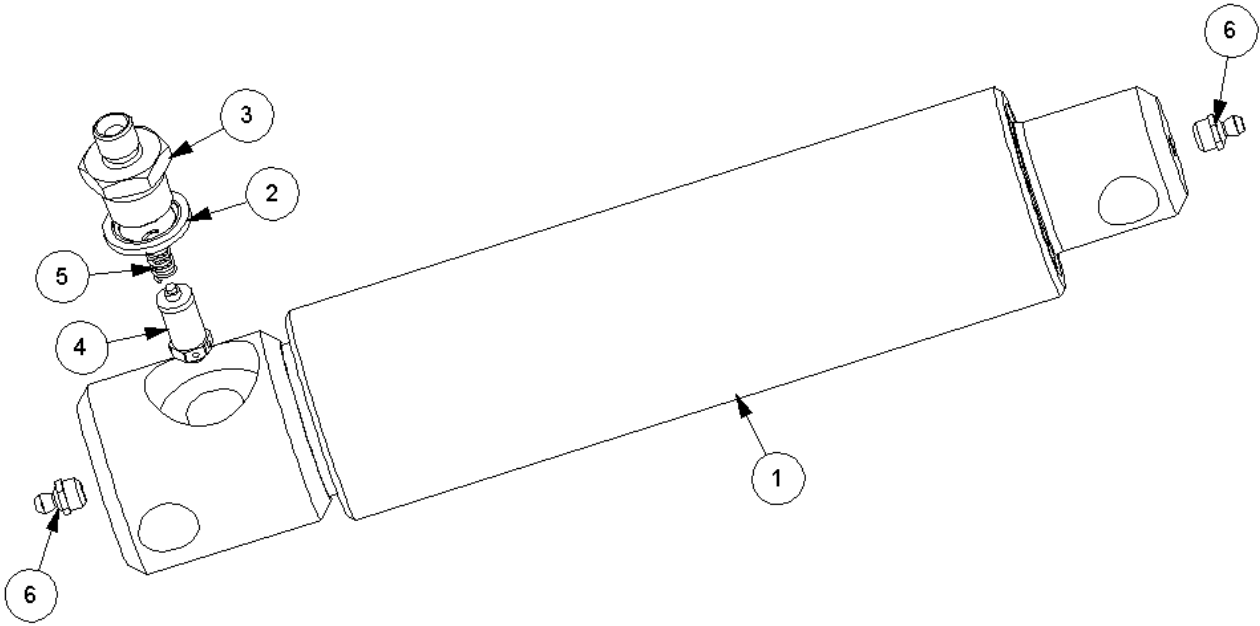
| Ref | Part No | Description | Qty |
|-----|------------|----------------|-----|
| 1 | 41014.12AP | LIFT/REACH RAM | 1 |
| 1 | 41014.12P | RAM -PAINTED | 0 |
| 13 | 8130048 | RESTRICTOR | 2 |
| 14 | 8003001 | PLUG | 1 |
| 15 | 8650103 | SEAL | 3 |
| 16 | 7105050 | BUSH | 1 |
| 17 | 0901121 | GREASER | 1 |
| 18 | 0901124 | GREASER | 1 |

41015.03 B - RAM ASSY



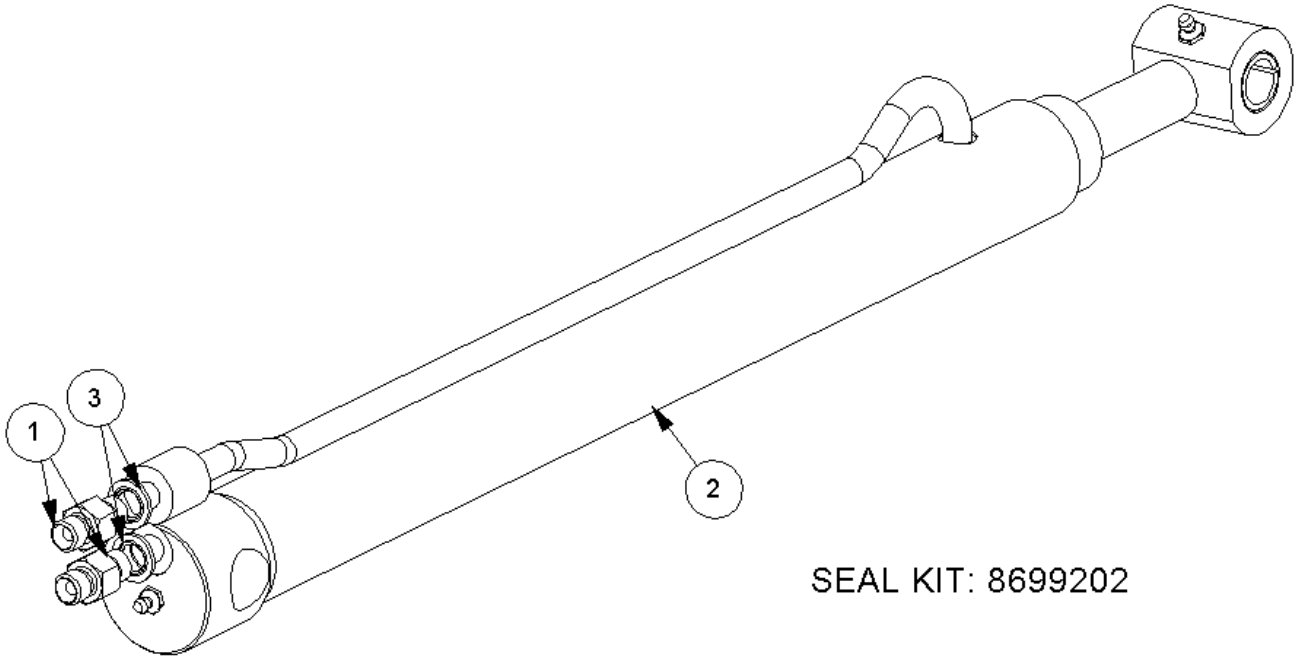
41015.03 B - RAM ASSY

| Ref | Part No | Description | Qty |
|-----|------------|--------------|-----|
| 1 | 41015.03AP | RAM ASSY | 1 |
| 1 | 41015.03P | RAM -PAINTED | 0 |
| 7 | 8699217 | SEAL KIT | 0 |
| 11 | 7105050 | BUSH | 1 |
| 12 | 0901121 | GREASER | 1 |
| 14 | 8650103 | SEAL | 2 |
| 15 | 8130046 | RESTRICTOR | 1 |
| 16 | 8130066 | RESTRICTOR | 1 |



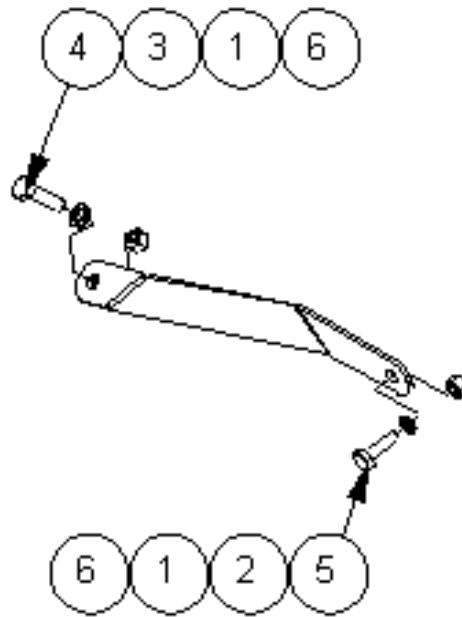
41322.02 - RAM

| Ref | Part No | Description | Qty |
|-----|-----------|--------------|-----|
| 1 | 7198292AP | RAM | 1 |
| 1 | 7198292P | RAM -PAINTED | 0 |
| 2 | 8650104 | SEAL | 1 |
| 3 | 8130083 | BODY | 1 |
| 4 | 8130189 | VALVE | 1 |
| 5 | 8116011 | SPRING | 1 |
| 6 | 0901121 | GREASER | 2 |



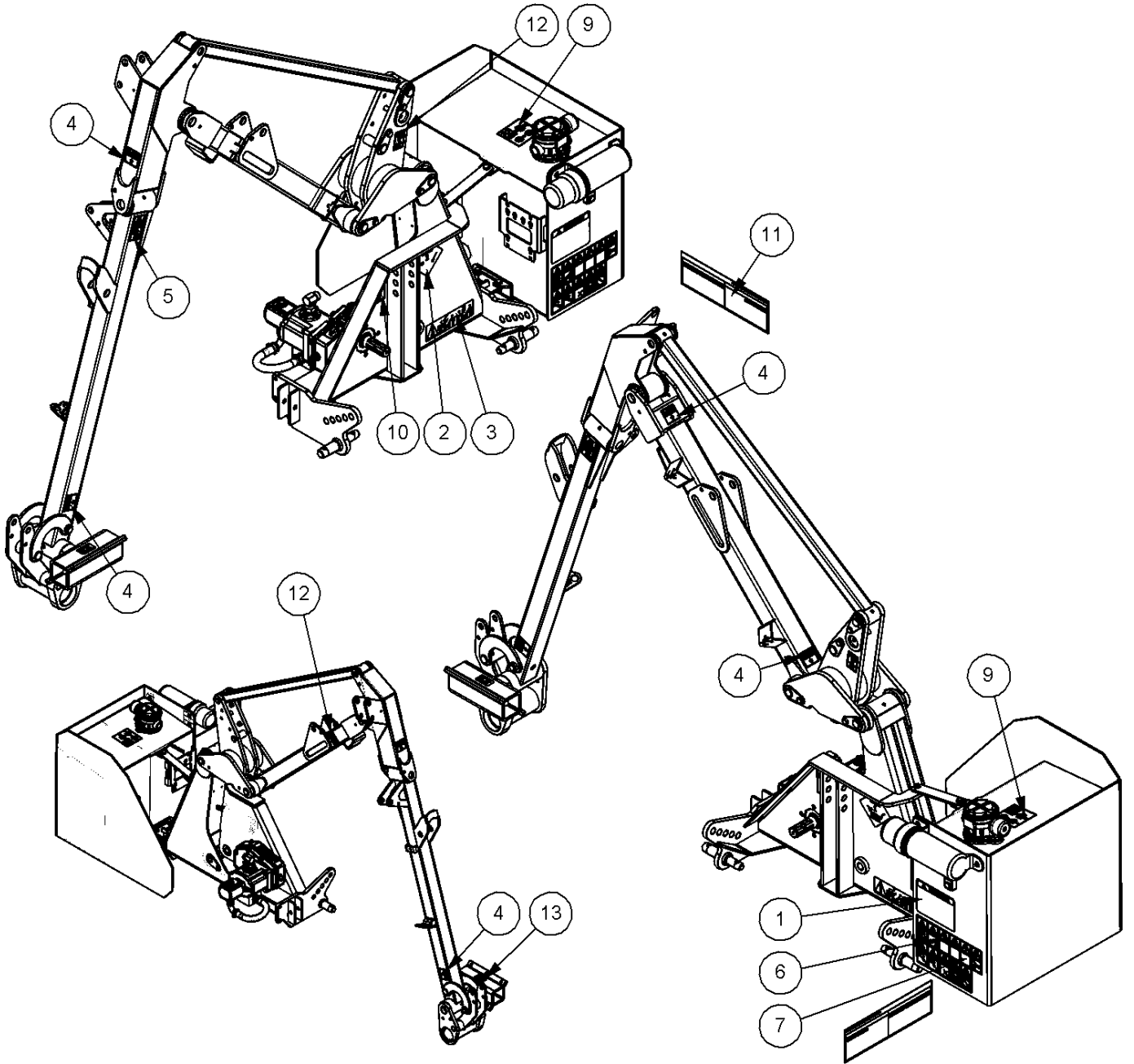
7191072 B - RAM

| Ref | Part No | Description | Qty |
|-----|---------|-------------|-----|
| 1 | 7191295 | RAM | 1 |
| 1 | 8130037 | RESTRICTOR | 2 |
| 3 | 8650102 | SEAL | 2 |
| 4 | 8699202 | SEAL KIT | 0 |



7434576 - PACKING KIT

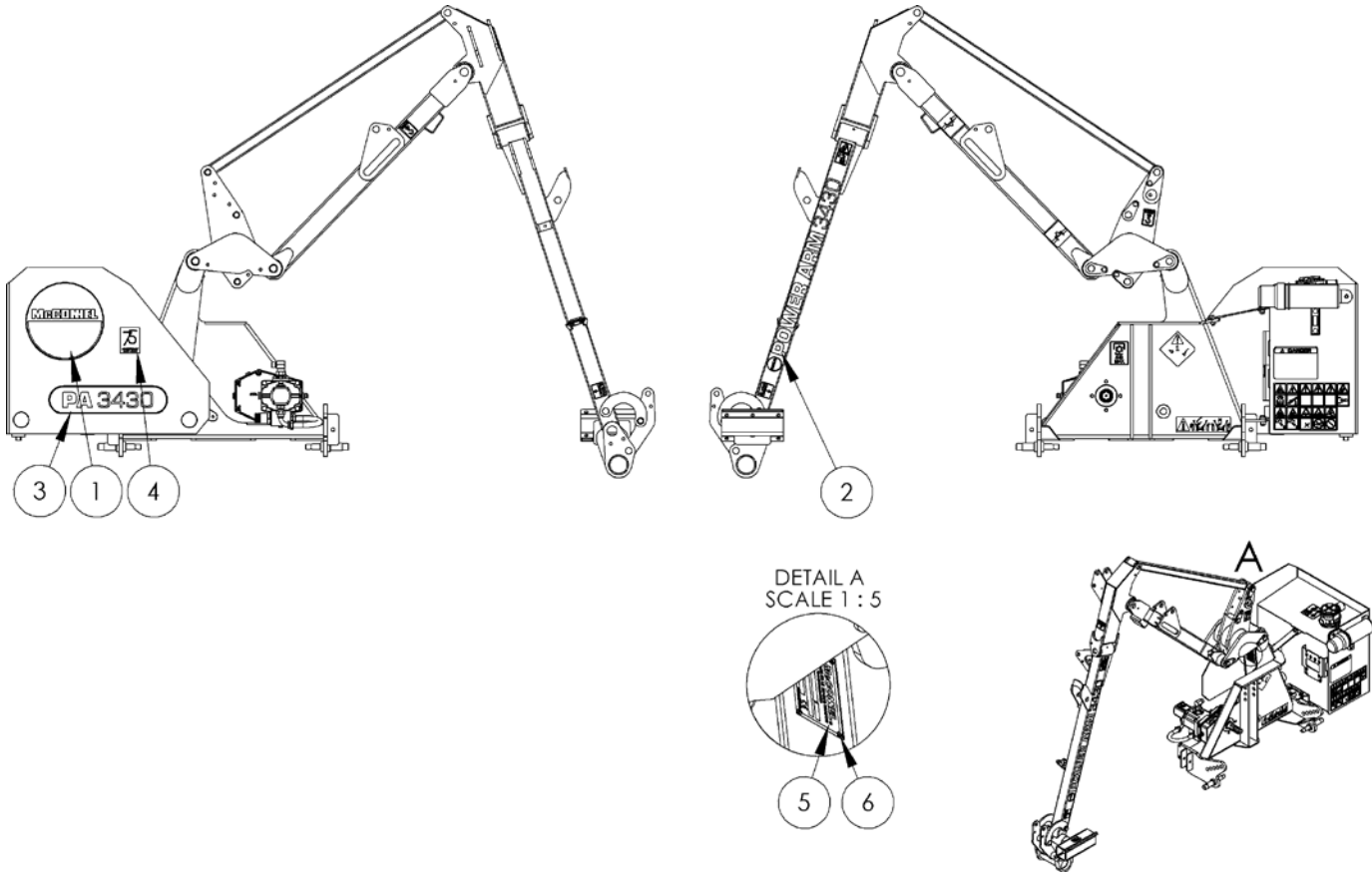
| Ref | Part No | Description | Qty |
|-----|----------|---------------|-----|
| 1 | 22852.53 | PACKING STRAP | 1 |
| 2 | 9100205 | WASHER | 1 |
| 3 | 9100206 | WASHER | 1 |
| 4 | 9313086 | SCREW | 1 |
| 5 | 9313075 | SCREW | 1 |
| 6 | 9163005 | NUT | 2 |



7434582 - BASIC STICKER KIT

| Ref | Part No | Description | Qty |
|-----|-----------|-------------|-----|
| 1 | 00756494 | DECAL | 1 |
| 2 | 7105130 | DECAL | 1 |
| 3 | 7135295 | DECAL | 1 |
| 4 | 02962764 | DECAL | 6 |
| 5 | 1290746 | DECAL | 1 |
| 6 | 09.821.35 | DECAL | 1 |
| 7 | 09.821.28 | DECAL | 1 |
| 8 | 09.821.32 | DECAL | 1 |
| 9 | 1290774 | DECAL | 1 |
| 10 | 09.811.02 | DECAL | 1 |
| 11 | 1290352 | DECAL | 1 |
| 12 | 09.843.05 | DECAL | 2 |
| 13 | 21917.06 | DECAL | 1 |

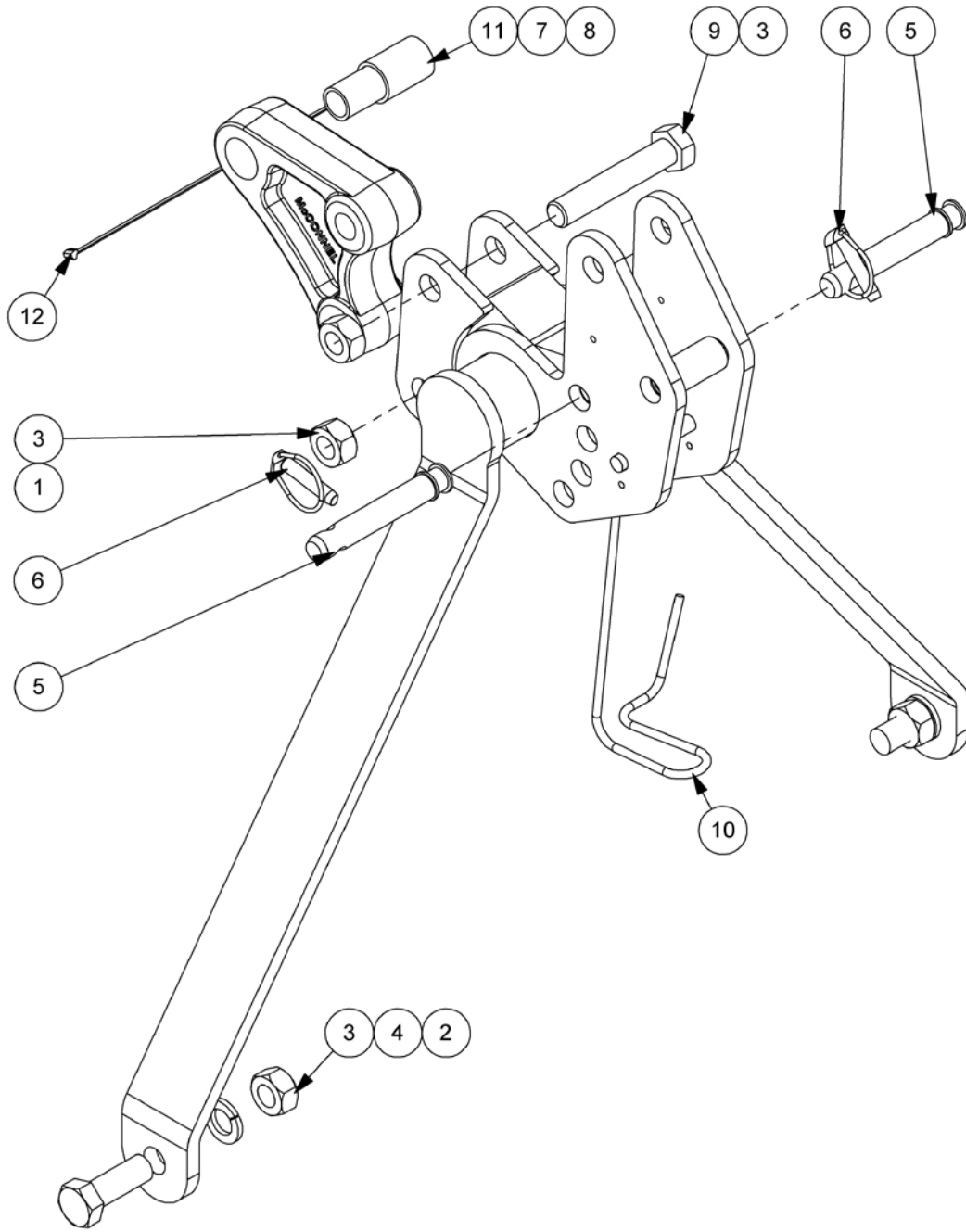
7434584 - PA3430 MCC DECAL KIT



7434584 - PA3430 MCC DECAL KIT

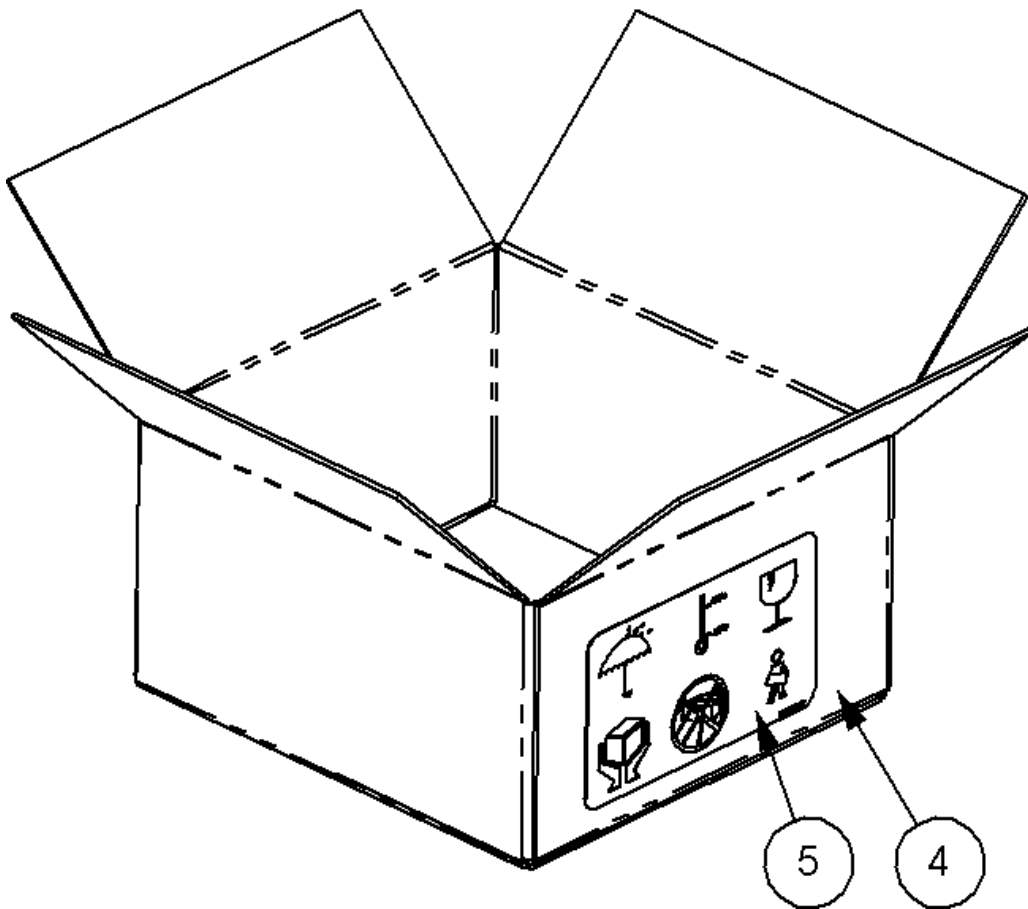
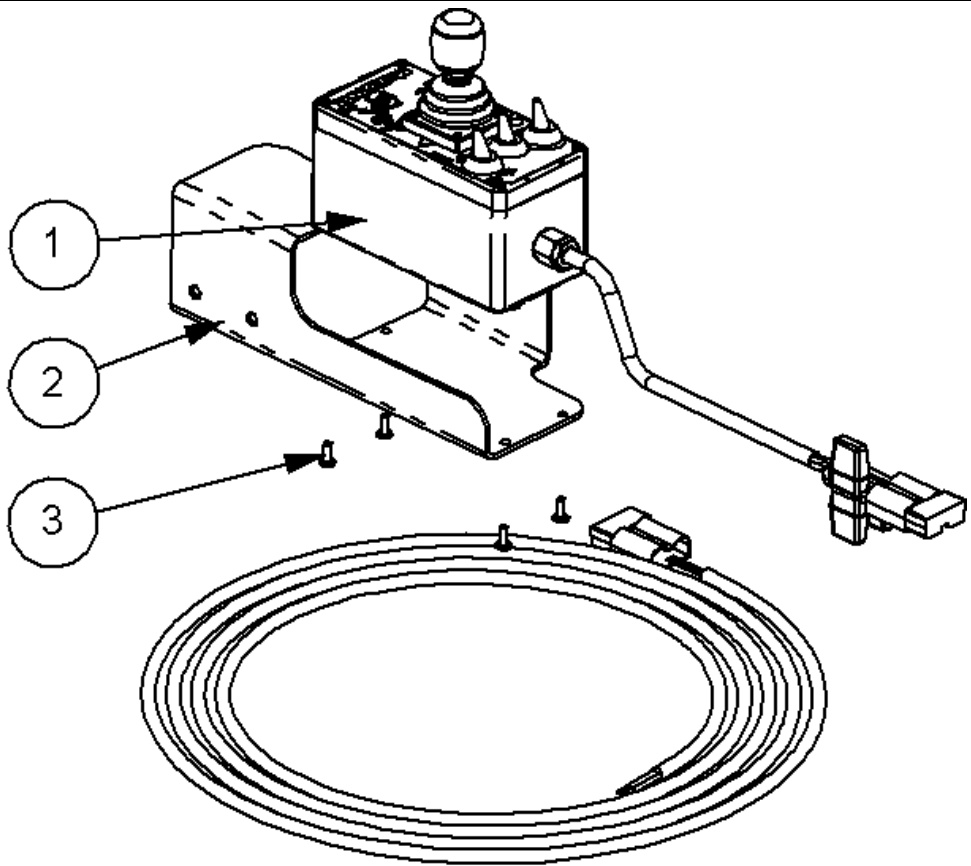
| Ref | Part No | Description | Qty |
|-----|----------|-----------------|-----|
| 1 | 1290870 | DECAL | 1 |
| 2 | 1290869 | DECAL | 1 |
| 3 | 1290868 | DECAL | 1 |
| 4 | 1290873 | 75TH ANN DECAL | 1 |
| 5 | 1335246 | SERIAL NO.PLATE | 1 |
| 6 | 7103230 | RIVET | 4 |
| 7 | 45671.01 | REFLECTOR | 2 |

7434627 - STABILIZER KIT



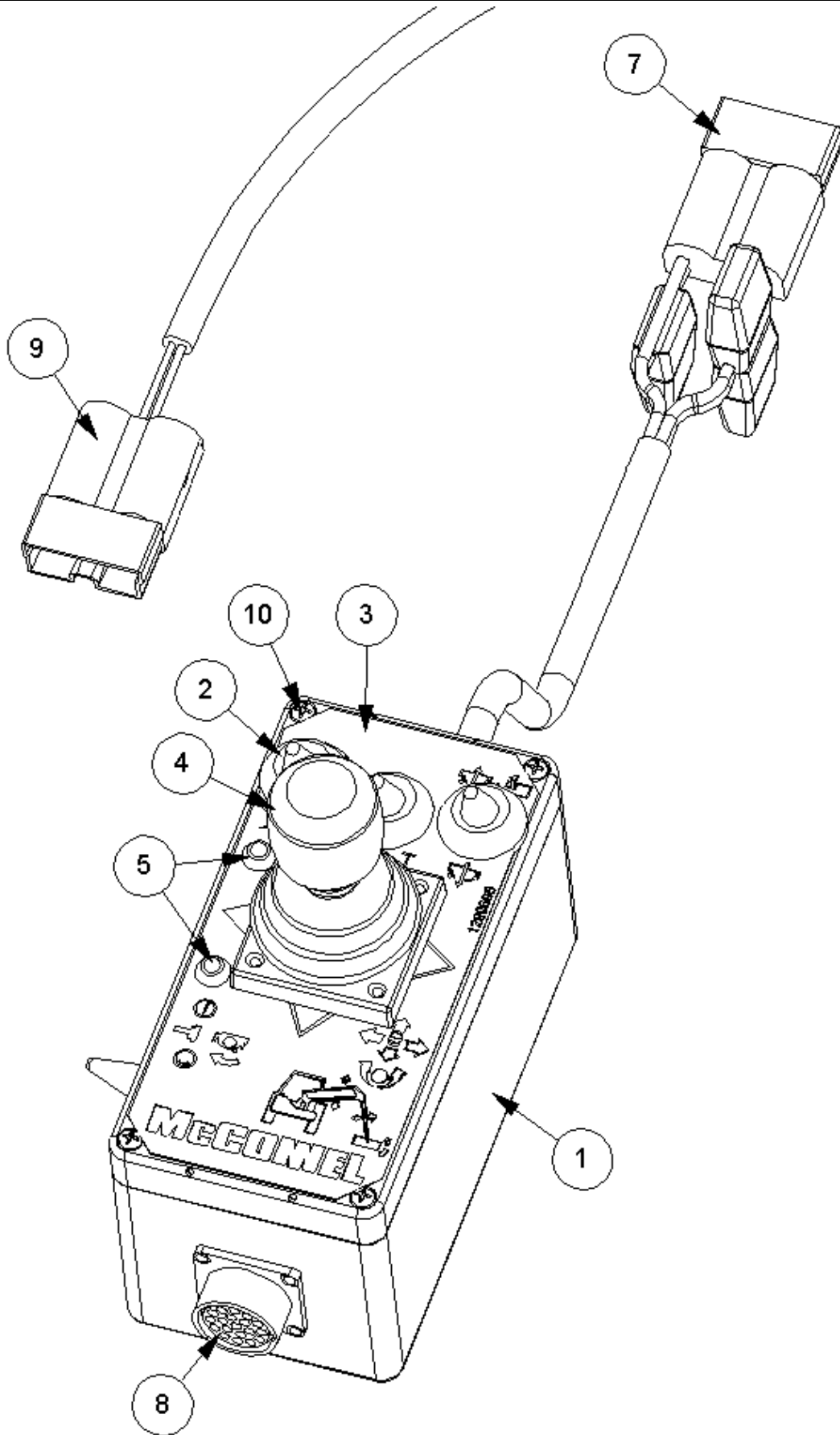
7434627 - STABILIZER KIT

| ITEM NO. | PART NUMBER | DESCRIPTION | QTY. |
|----------|-------------|------------------------------|------|
| 1 | 41205.18 | STABILIZER W/ASSY | 1 |
| 2 | 9313118 | SETSCREW | 2 |
| 3 | 9113008 | NUT | 4 |
| 4 | 9100208 | SPRING WASHER | 2 |
| 5 | T1657 | PIN LINKAGE | 2 |
| 6 | 0431217 | LINCH PIN | 2 |
| 7 | 1467063 | SLEEVE-CAT 1-2 TOP LINK | 2 |
| 8 | 7499506C | STABILIZER TONGUE-CAT.3-CAST | 1 |
| 9 | 9213228 | BOLT | 2 |
| 10 | 21160.03 | PTO HOOK | 1 |
| 11 | 21883.01 | SLEEVE-CAT 2-3 TOP LINK | 1 |
| 12 | 7196045 | HOSE TIE | 1 |



8402919 - MINI XTC KIT

| Ref | Part No | Description | Qty |
|-----|----------|-------------|-----|
| 1 | 8402394 | CONTROL BOX | 1 |
| 2 | 42442.03 | BRACKET | 1 |
| 3 | 2800243 | SCREW | 4 |
| 4 | 8402701 | BOX | 1 |
| 5 | 1290717 | DECAL | 1 |



8402394 C - CONTROL BOX

| Ref | Part No | Description | Qty |
|-----|----------|-------------|-----|
| 0 | 8402396 | PCB | 1 |
| 1 | 8402400 | BOX | 1 |
| 2 | 8402024 | COVER | 4 |
| 3 | 1290696 | DECAL | 1 |
| 4 | 8402246 | JOYSTICK | 1 |
| 5 | 41845.41 | LED | 2 |
| 6 | 8402149 | GLAND | 1 |
| 7 | 43022.47 | LOOM | 1 |
| 8 | 8402189 | SHELL | 1 |
| 9 | 8402237 | LOOM | 1 |



McConnel Limited, Temeside Works, Ludlow, Shropshire SY8 1JL. England.
Telephone: 01584 873131. Facsimile: 01584 876463. www.mcconnel.com