

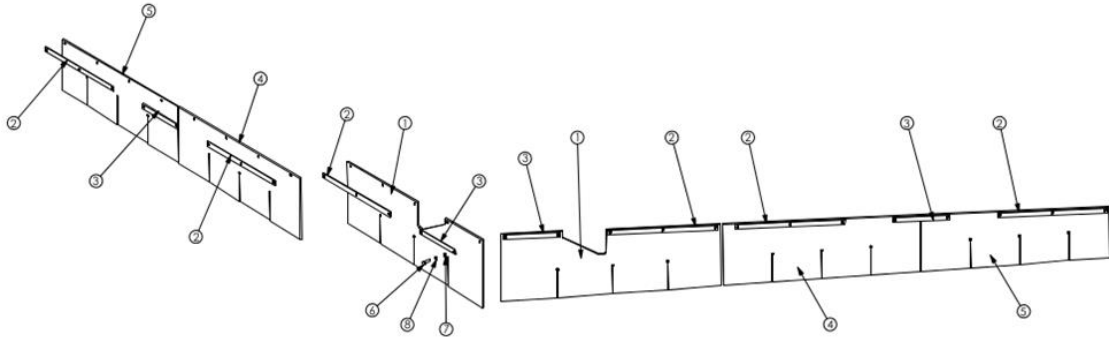
PARTS MANUAL

FOR

SERIAL NO: S211032

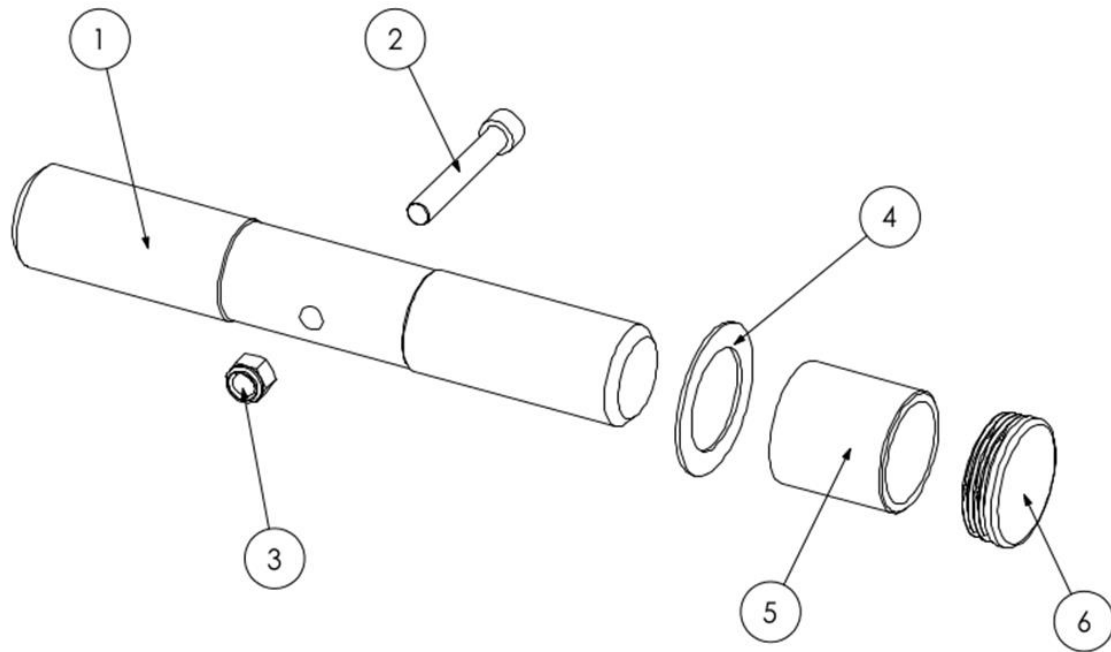
PRINTED ON 21 OCT 2021

S180025.88 - RUBBER FLAP SCHEDULE



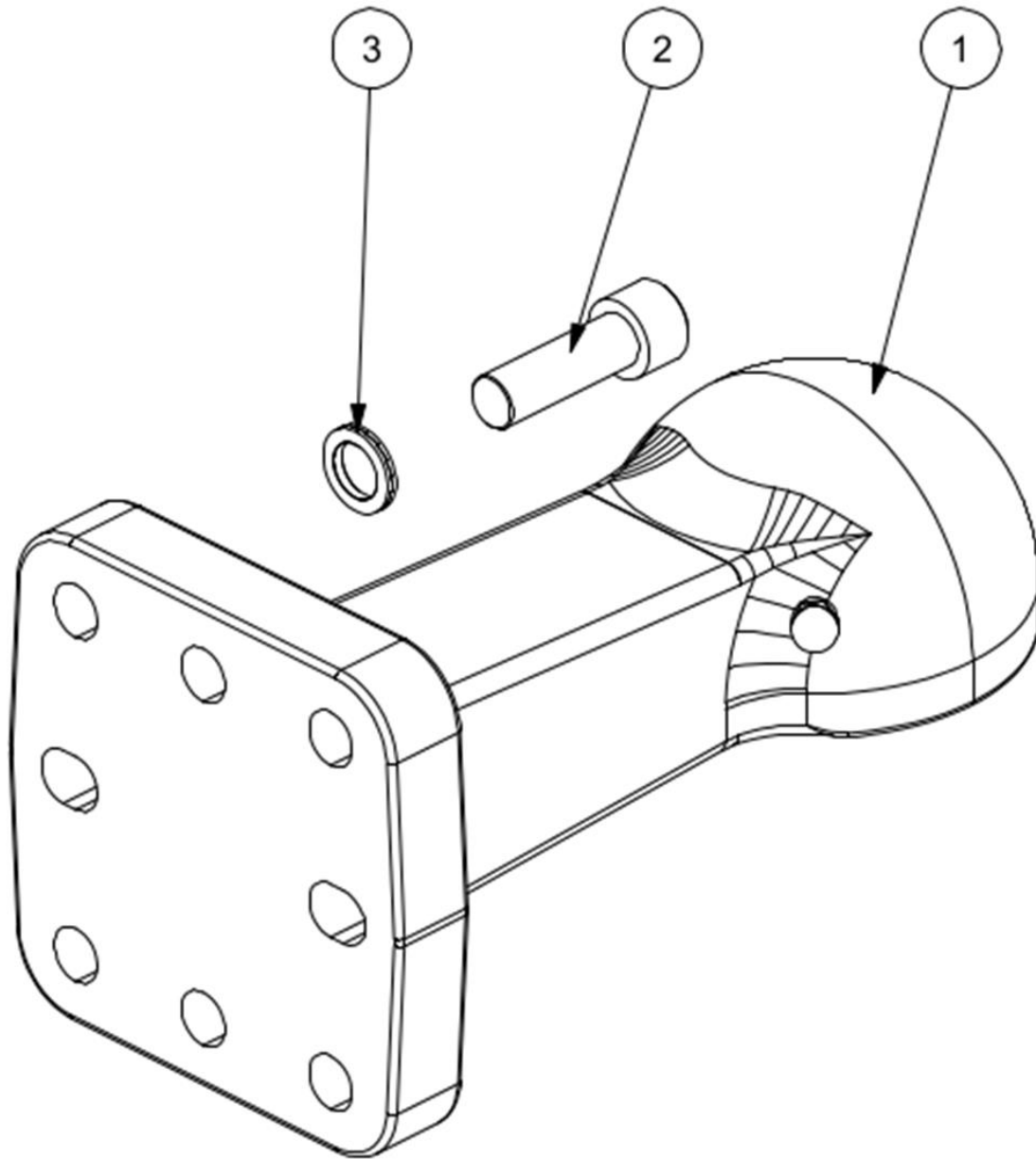
Ref	Part No	Description	QTY
1	8770440	RUBBER FLAP-	2
2	180200	RETAINING PLATE	6
3	180201	RETAINING PLATE	4
4	8770441	RUBBER FLAP	2
5	8770442	RUBBER FLAP	2
6	2770396	BOLT	26
7	2770434	FLAT WASHER	26
8	2770469	SPRING WASHER	26

S180028.160 - MAIN PIVOT PIN



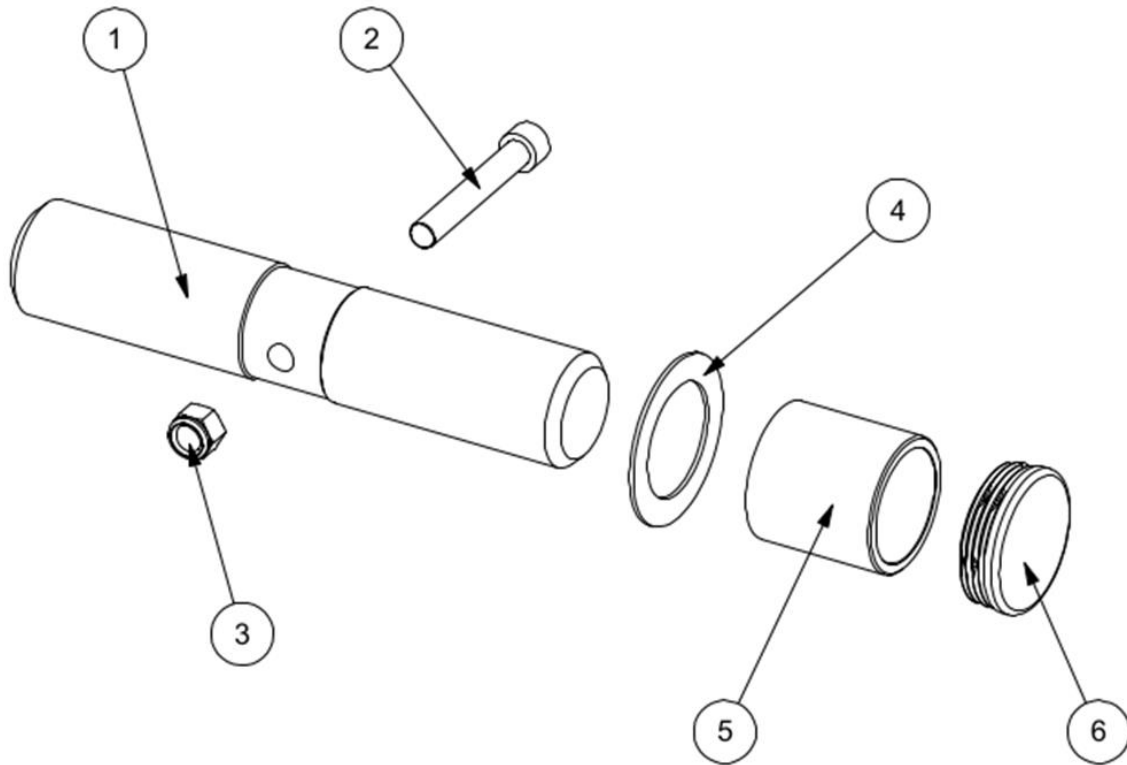
Ref	Part No	Description	QTY
1	182010	MAIN PIVOT PIN - TW PRO *P*	1
2	2770333	M12 X 80 SKT CSK SCREW	1
3	2770417	NUT	1
4	4600137	SPACER	2
5	4600427	BUSH: 50 X 60 X 60 mm	2
6	4600428	63.5mm ROUND PLASTIC INSERT	2

S180061.08 - K80 TOWING EYE



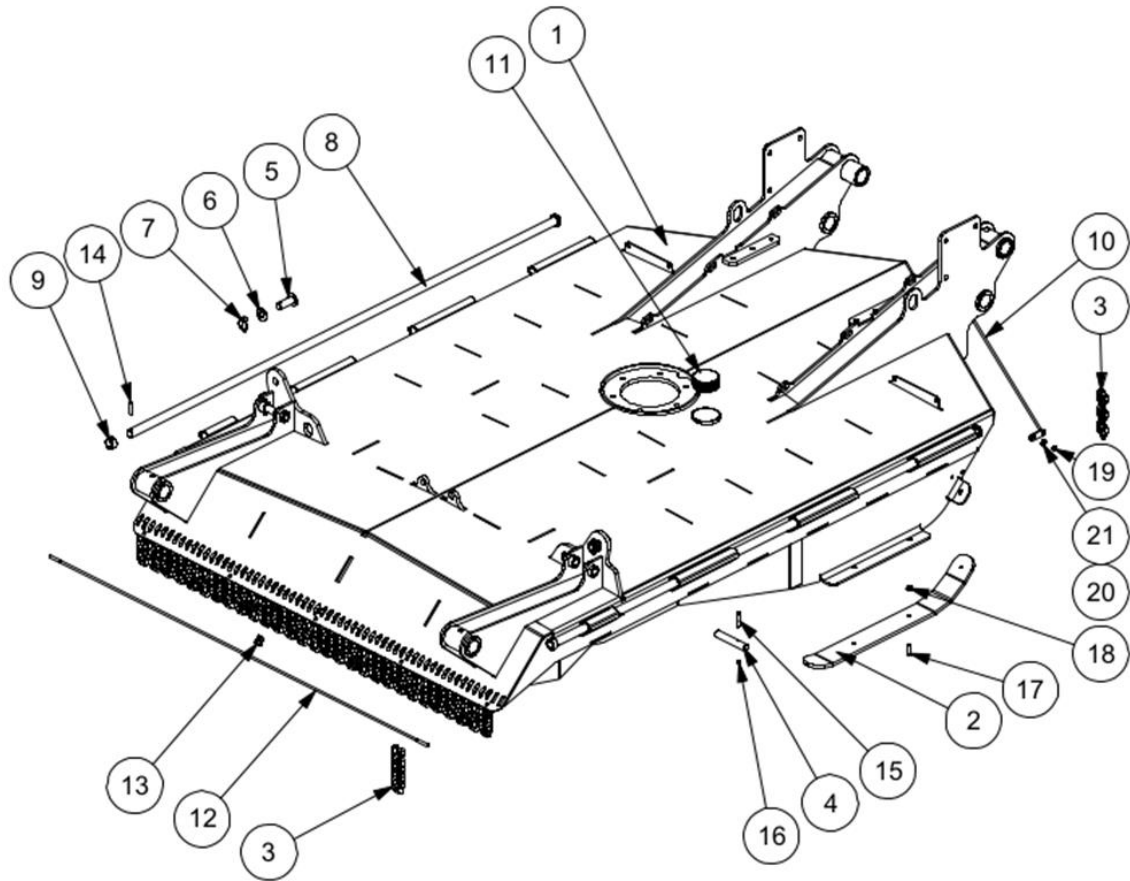
Ref	Part No	Description	QTY
1	6310284	SCHARMULLER K80 SPOON	1
2	05.625.32	SOCKET CAP SCREW	8
3	B001017	WASHER	8

S180061.31 - MAIN PIVOT PIN SCHEDULE



Ref	Part No	Description	QTY
1	183164	PIN	1
2	2770347	SOCKET CAP SCREW	1
3	2770417	NUT	1
4	4600137	SPACER	2
5	4600427	BUSH: 50 X 60 X 60 mm	2
6	4600428	63.5mm ROUND PLASTIC INSERT	2

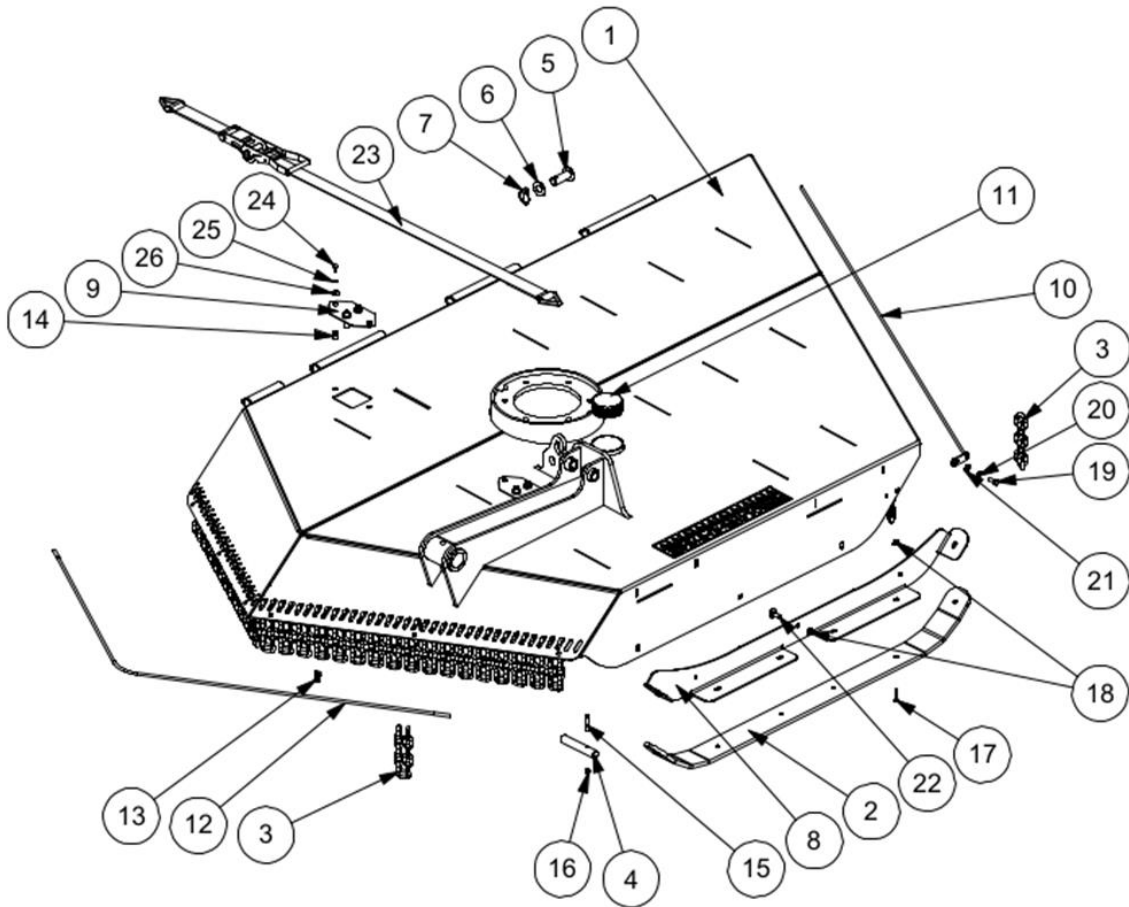
S180072.01 - CENTRE DECK



Ref	Part No	Description	QTY
1	183050	CENTRE DECK 500/730 W/ASSY	1
2	183153	WEAR SKID	2
3	8770995	15 LINK CHAIN - 8MM	64
4	183073	PIN	2
5	180270	PIN: 25.4 X 56MM	2
6	2770552	WASHER	2
7	00.372.01	LINCH PIN	2
8	183275	HINGE BAR	2
9	1770676	BUSH	2
10	180665	CHAIN RET BAR CENTRE	2
11	4600433	ROUND INSERT	1
12	6770947	WIRE ROPE	1
13	6770907	GRIP	1
14	30.074.61	SPIROL PIN	2
15	05.625.29	SOCKET CAP SCREW	2
16	2770416	NUT	2
17	2770509	SKT CSK SCREW	6
18	05.287.21	FLANGE LOCKNUT	6
19	2770407	BOLT	2

Ref	Part No	Description	QTY
20	B001010	WASHER	2
21	2770437	WASHER	2

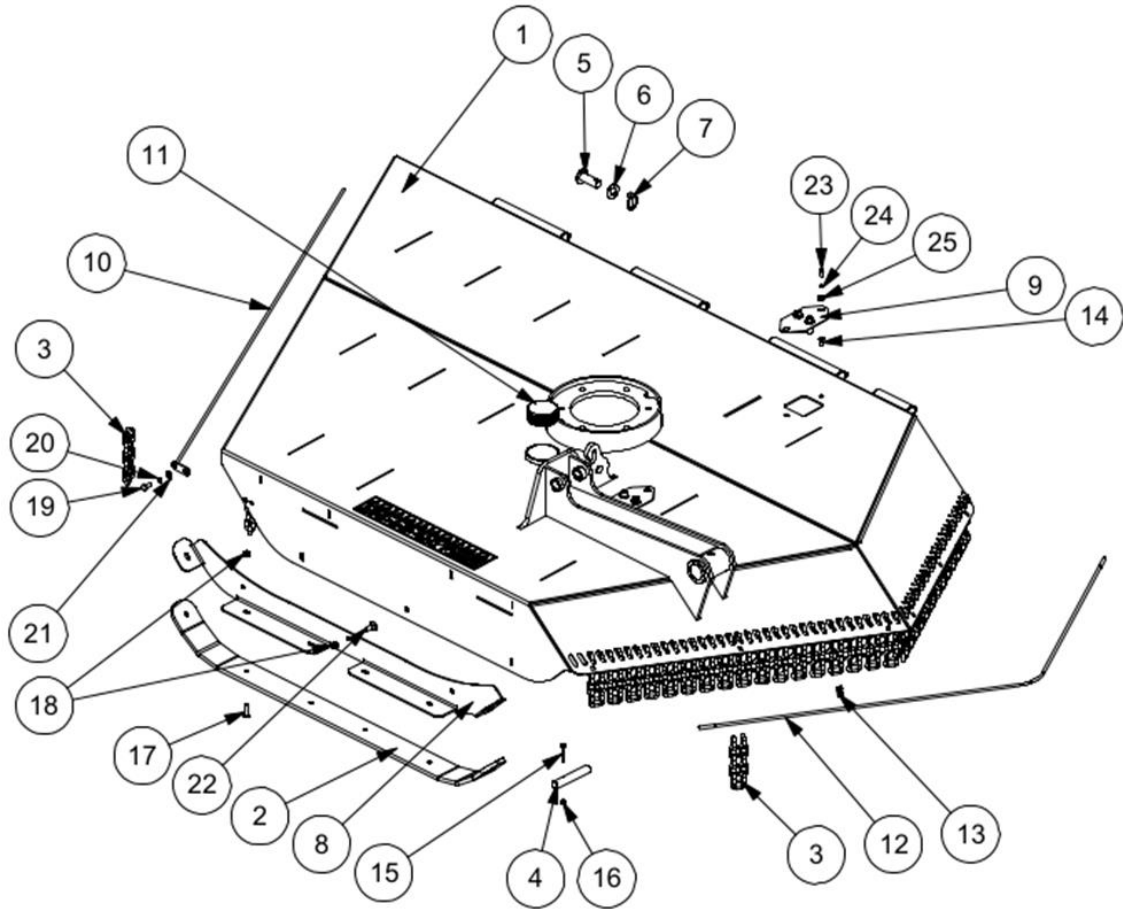
S180072.02 - RH WING DECK



Ref	Part No	Description	QTY
1	183052	RH WING DECK 500 W/ASSY	1
2	183077	SKID	1
3	8770995	15 LINK CHAIN - 8MM	60
4	183073	PIN	1
5	180270	PIN: 25.4 X 56MM	1
6	2770552	WASHER	1
7	00.372.01	LINCH PIN	1
8	183076	SKID MOUNT	1
9	183189	BULKHEAD ASSY - 2 HOSE	2
10	180621	CHAIN RET BAR WING	1
11	4600433	ROUND INSERT	1
12	6770948	WIRE ROPE	1
13	6770907	GRIP	1
14	2770203	RIVNUT	4
15	05.625.29	SOCKET CAP SCREW	1
16	2770416	NUT	1
17	2770509	SKT CSK SCREW	6
18	05.287.21	FLANGE LOCKNUT	9
19	2770407	BOLT	1

Ref	Part No	Description	QTY
20	B001010	WASHER	1
21	2770437	WASHER	1
22	05.839.26	BOLT	3
23	6310256	STARCUT RATCHET STP	1
24	05.839.03	SETSCREW	4
25	B001008	NORDLOCK WASHER	4
26	2770244	WASHER	4

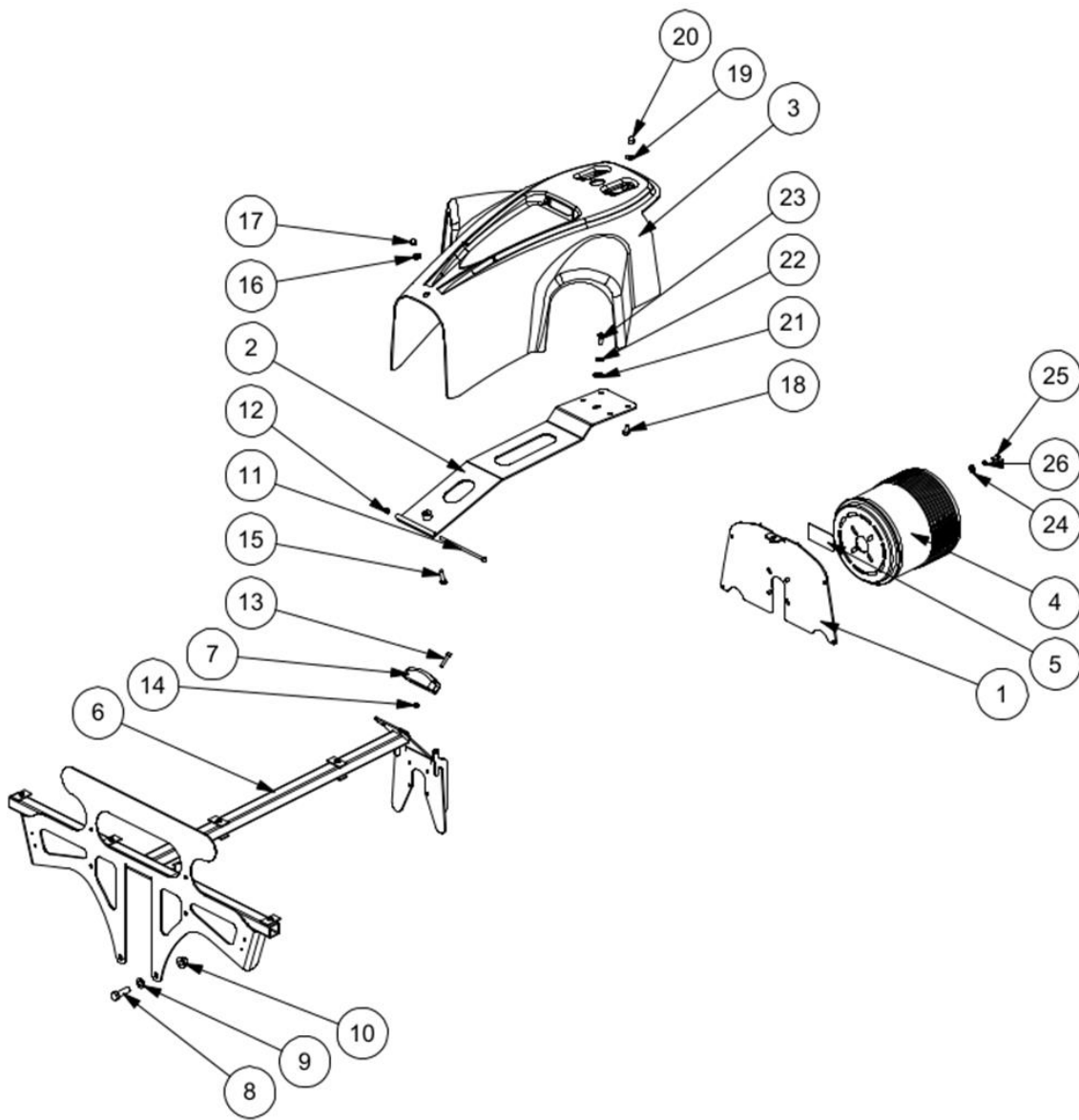
S180072.03 - LH WING DECK



Ref	Part No	Description	QTY
1	183051	LH WING DECK 500 W/ASSY	1
2	183077	SKID	1
3	8770995	15 LINK CHAIN - 8MM	60
4	183073	PIN	1
5	180270	PIN: 25.4 X 56MM	1
6	2770552	WASHER	1
7	00.372.01	LINCH PIN	1
8	183076	SKID MOUNT	1
9	183189	BULKHEAD ASSY - 2 HOSE	2
10	180621	CHAIN RET BAR WING	1
11	4600433	ROUND INSERT	1
12	6770948	WIRE ROPE	1
13	6770907	GRIP	1
14	2770203	RIVNUT	4
15	05.625.29	SOCKET CAP SCREW	1
16	2770416	NUT	1
17	2770509	SKT CSK SCREW	6
18	05.287.21	FLANGE LOCKNUT	9
19	2770407	BOLT	1

Ref	Part No	Description	QTY
20	B001010	WASHER	1
21	2770437	WASHER	1
22	05.839.26	BOLT	3
23	05.839.03	SETSCREW	4
24	B001008	NORDLOCK WASHER	4
25	2770244	WASHER	4

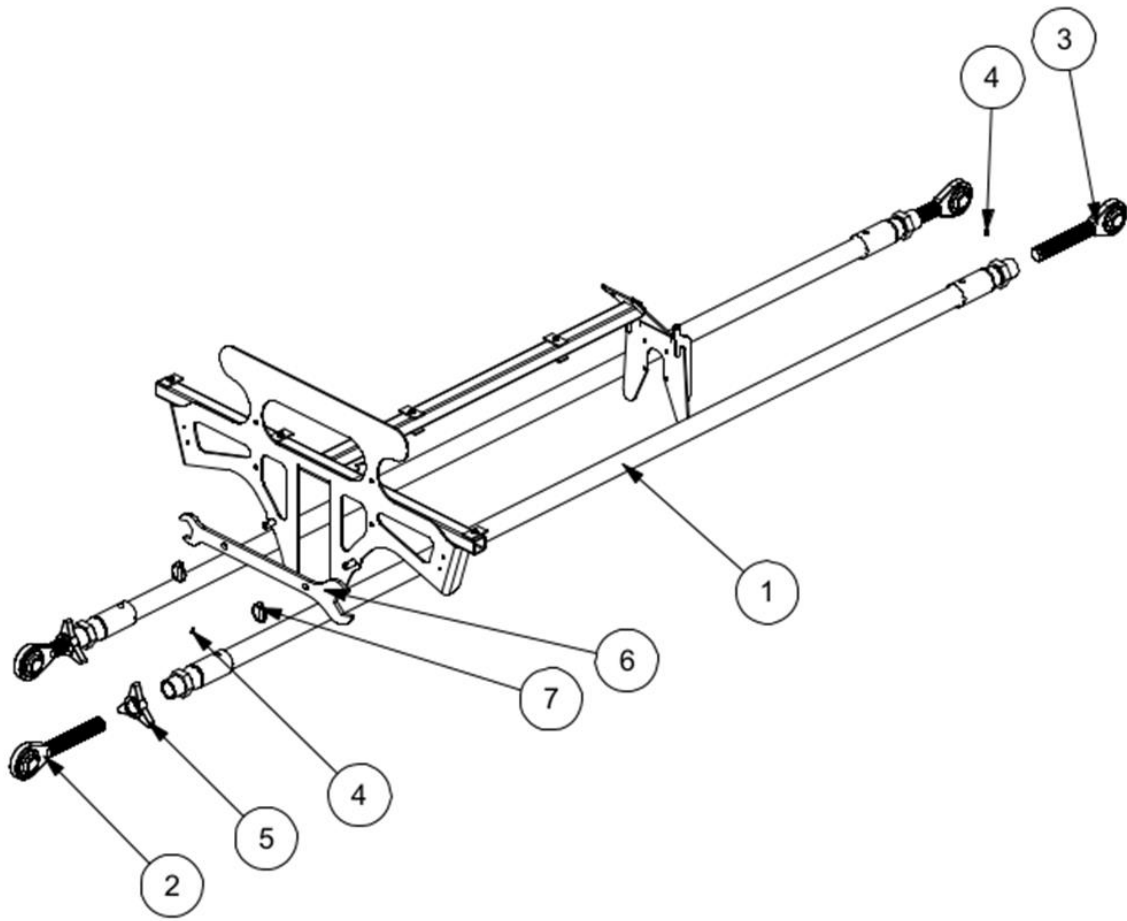
S180072.06 - CENTRE COVER ASSEMBLY



Ref	Part No	Description	QTY
1	182785	SPLITTER GRD FRONT MNT	1
2	182783	SPLITTER GRD MNT BKT	1
3	8771261	MC/SM SPLITTER GEARBOX COVER	1
4	21839.01	PTO GUARD	0
5	8770323	STICKER	1
6	183290	HOSE MOUNT BRACKET	1
7	46237.01	BUFFER	1
8	05.291.35	BOLT	2
9	2770454	FLAT WASHER	2
10	05.287.24	M16 S.LOCK FLA NUT	2
11	05.292.09	BOLT	1

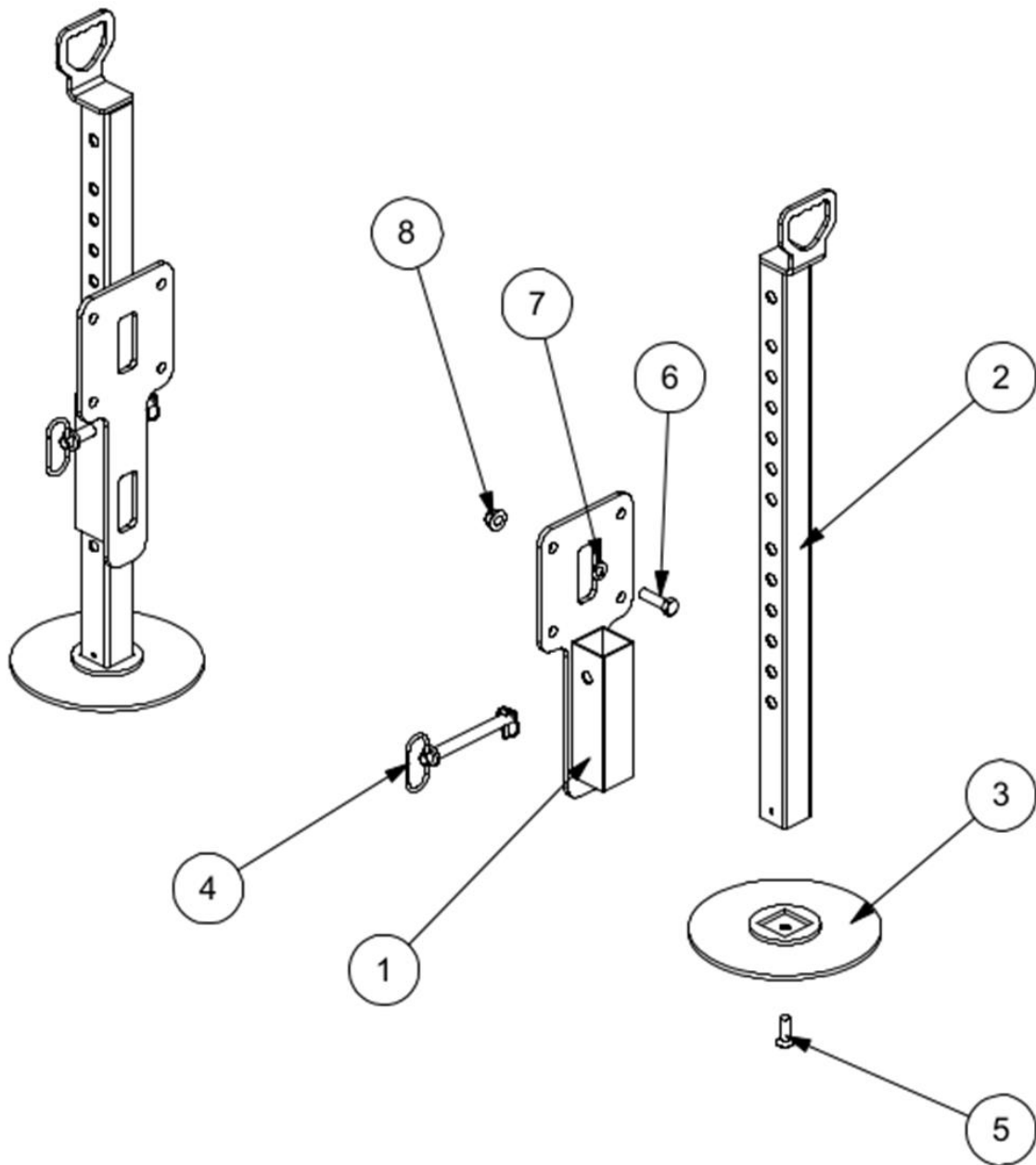
Ref	Part No	Description	QTY
12	2771612	DOMED NUT	1
13	05.625.38	M8 X 40	2
14	05.287.20	FLANGE NUT	2
15	05.291.13	BOLT	1
16	2770437	WASHER	1
17	9100025	NUT	1
18	2770418	BOLT	4
19	2770437	WASHER	4
20	9100025	NUT	4
21	2770246	WASHERS	1
22	B001013	WASHER	1
23	05.625.10	CAPSCREW	1
24	2770244	WASHER	8
25	B001008	NORDLOCK WASHER	8
26	05.839.03	SETSCREW	8

S180072.07 - TIE BAR



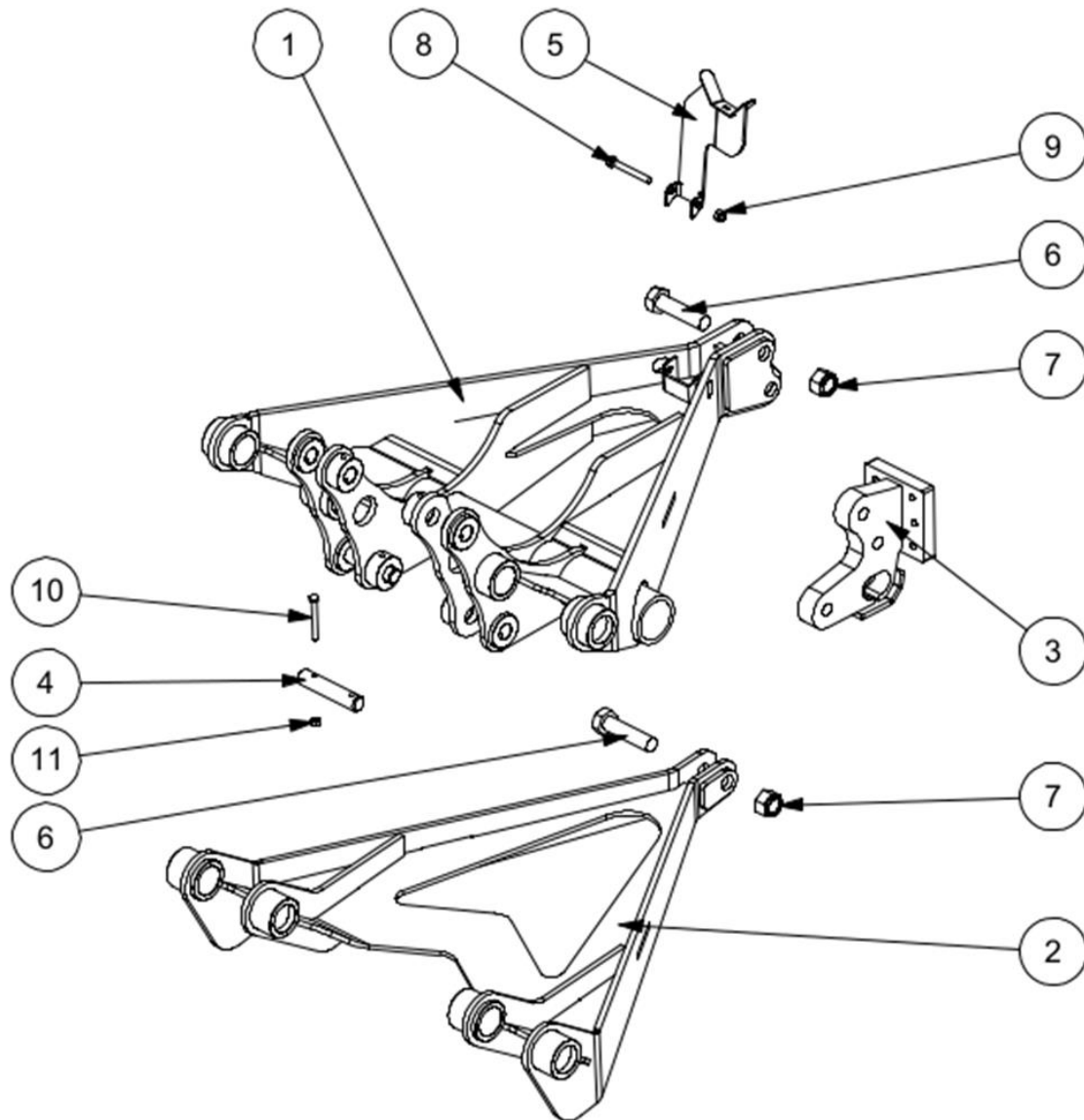
Ref	Part No	Description	QTY
1	183078	TIE BAR	2
2	6310285	FORGED BALL END-1"1/4-186MM	2
3	6310287	FORGED BALL END LH-1"1/4-186MM	2
4	2770468	GREASE NIPPLE	4
5	6310275	LOCKIN COLLAR-M36X3	2
6	183199	SPANNER	1
7	6310207	LYNCH PIN	2

S180072.08 - LEG STAND



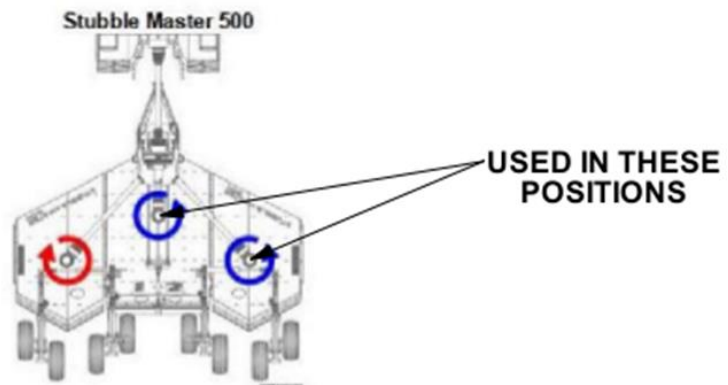
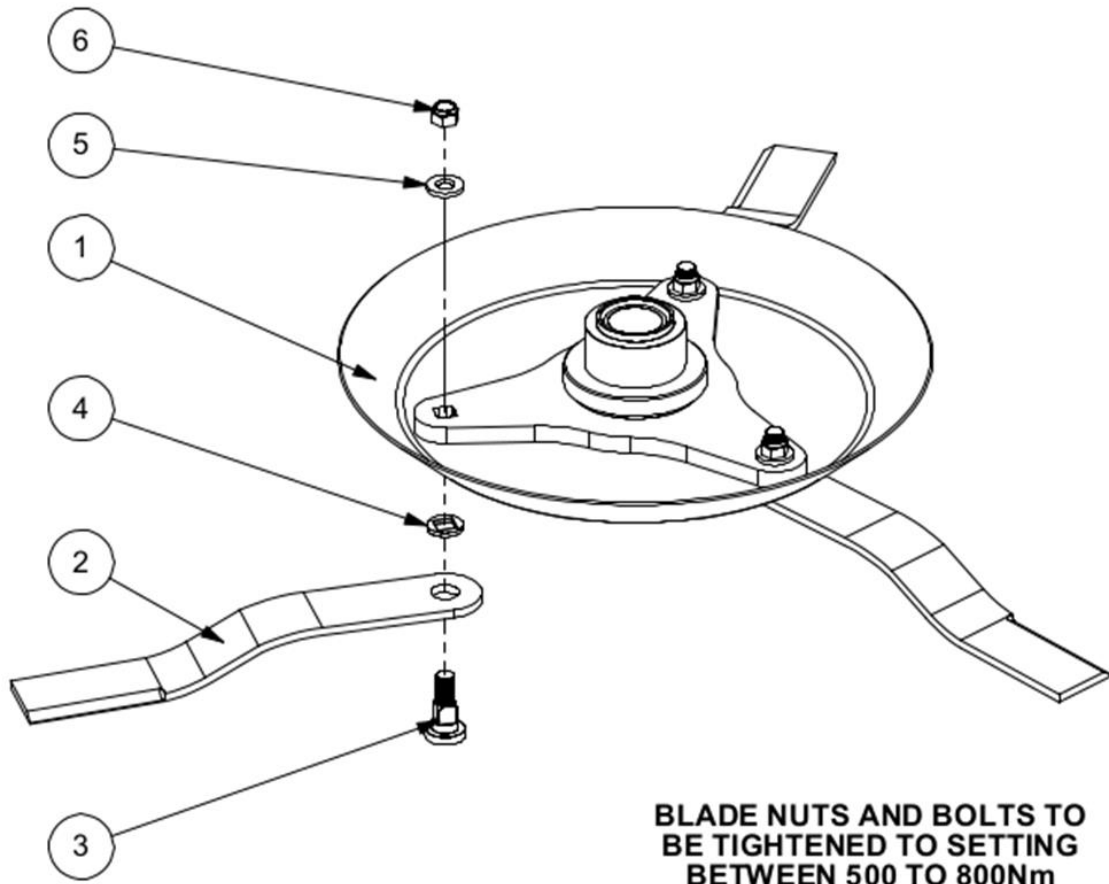
Ref	Part No	Description	QTY
1	183067	LEG STAND MOUNT	2
2	181514	LEG STAND - LONG	2
3	183068	FOOT	2
4	6310215	PIN	2
5	2770461	SKT CSK SCREW	2
6	05.291.36	BOLT	6
7	2770454	FLAT WASHER	6
8	05.287.24	M16 S.LOCK FLA NUT	6

S180072.09 - DRAWBAR



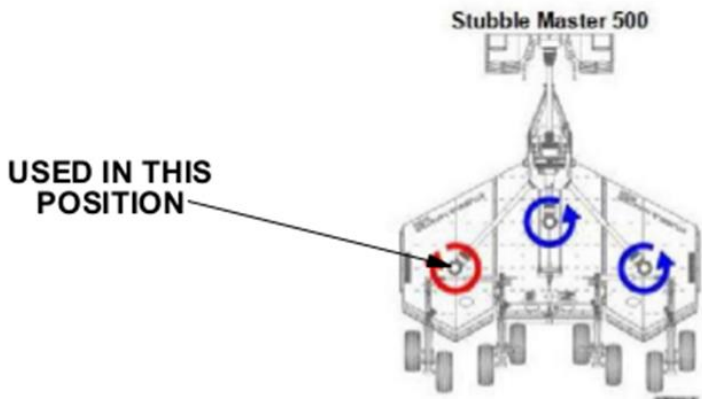
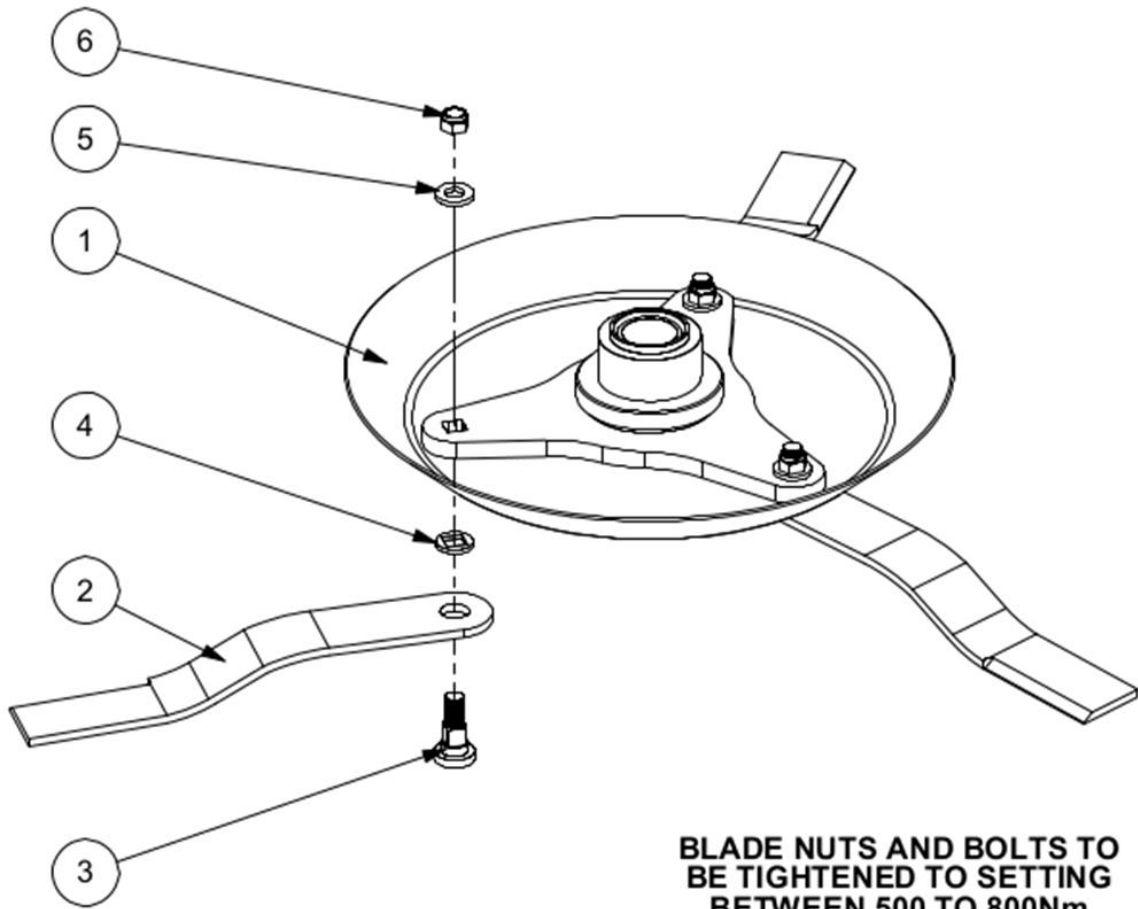
Ref	Part No	Description	QTY
1	183055	DRAWBAR	1
2	183058	PARALLEL LINK 500/730	1
3	183332	TOWING EYE MOUNT BRACKET	1
4	183047	PIN: 32X155MM *PLATED*	2
5	182767	PTO SUPPORT W/ASSY *P*	1
6	2770426	BOLT	2
7	2770427	NUT	2
8	2770471	BOLT	1
9	2770417	NUT	1
10	05.292.12	BOLT	2
11	2770412	NUT	2

S180072.12 - ARMY RH BLADE ASSEMBLY



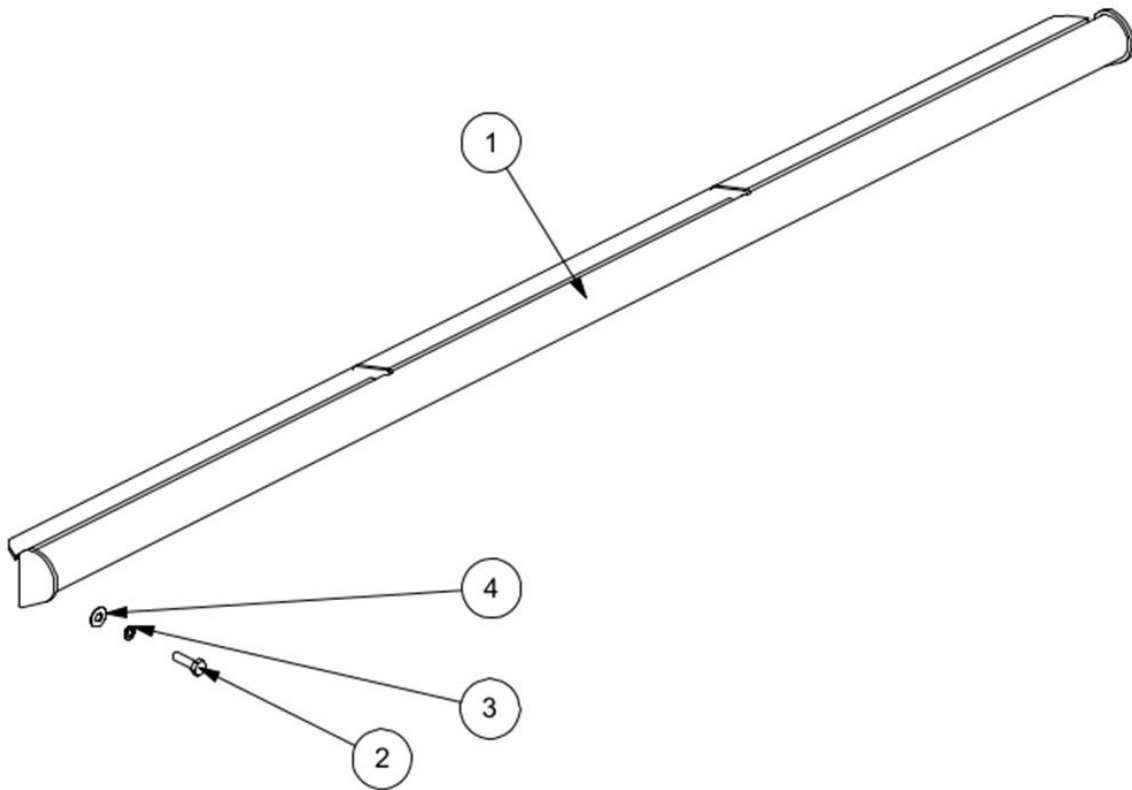
Ref	Part No	Description	QTY
1	183071	ARMY BLADE CARRIER	1
2	7770700	RH/CTR BLADE	3
3	571044	BOLT	3
4	0656150200	WASHER - BLADE SR15	3
5	571045	WASHER - BLADE SR15	3
6	5GL16140	NUT	3

S180072.13 - ARMY LH BLADE ASSEMBLY



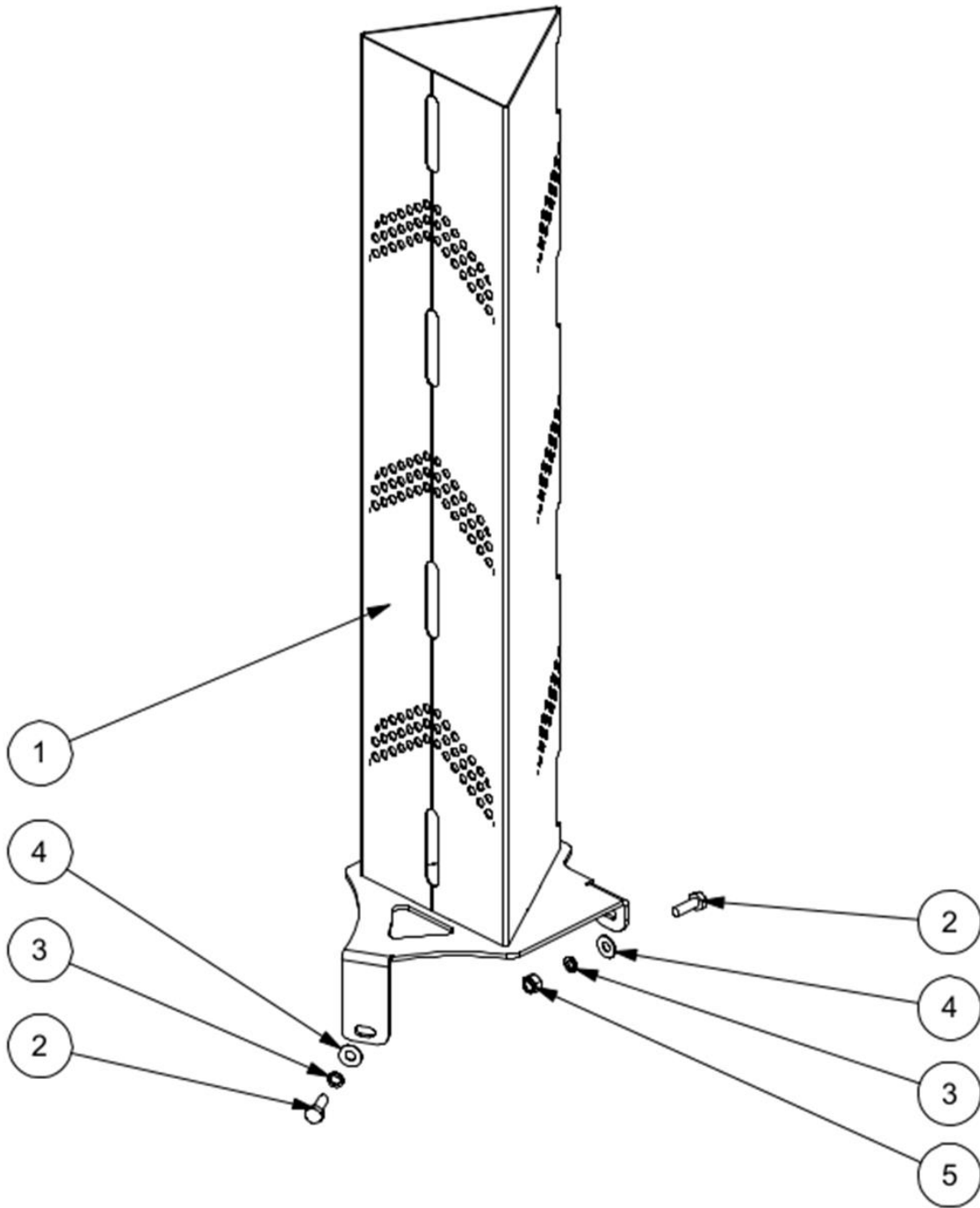
Ref	Part No	Description	QTY
1	183071	ARMY BLADE CARRIER	1
2	7770701	LH BLADE	3
3	571044	BOLT	3
4	0656150200	WASHER - BLADE SR15	3
5	571045	WASHER - BLADE SR15	3
6	5GL16140	NUT	3

S180072.14 - FRONT NUDGE BAR



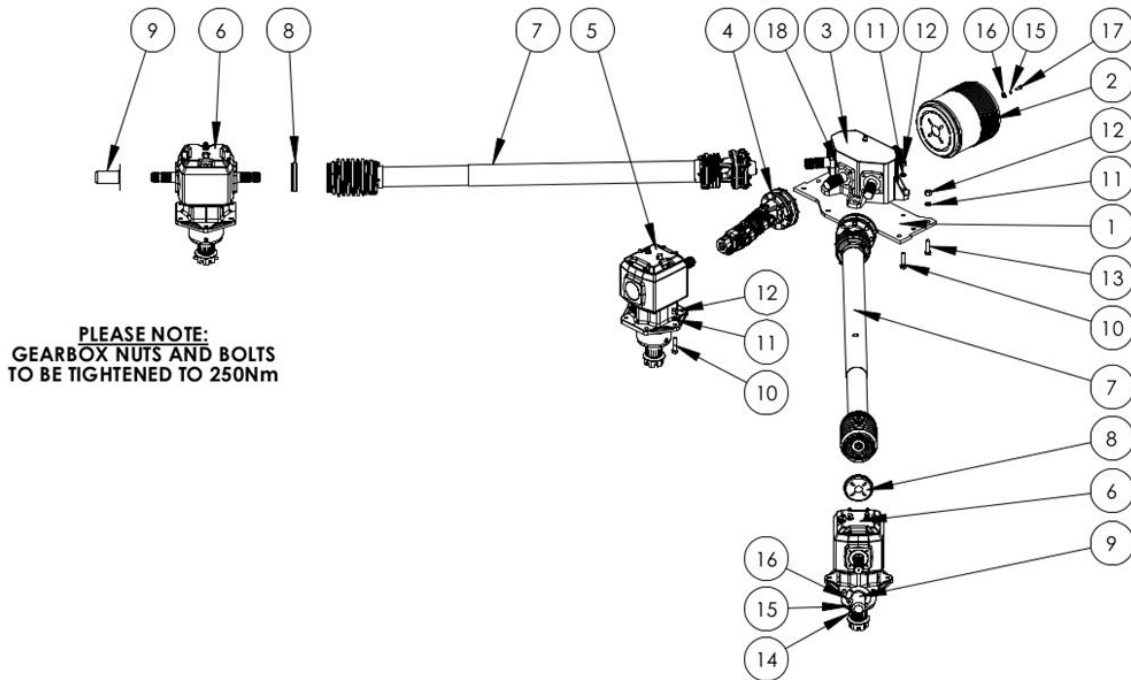
Ref	Part No	Description	QTY
1	183268	NUDGE BAR - 500	2
2	2770396	BOLT	16
3	B001010	WASHER	16
4	2770437	WASHER	16

S180072.17 - FLAG HOLDER



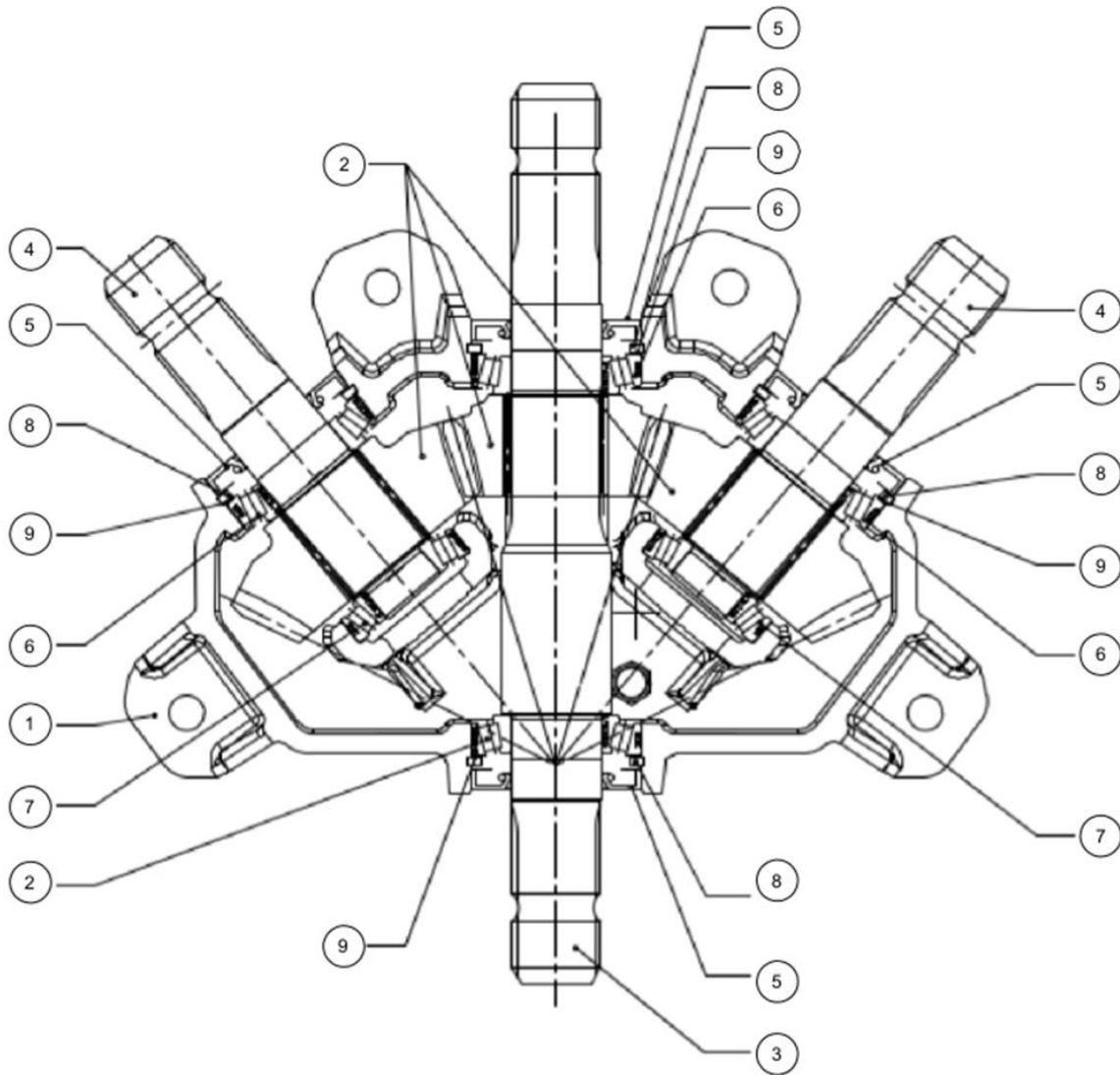
Ref	Part No	Description	QTY
1	183075	FLAG HOLDER	1
2	2770421	BOLT	3
3	B001010	WASHER	3
4	2770437	WASHER	3
5	2770412	NUT	2

S180072.18 - STUBBLE MASTER 500 DRIVELINE



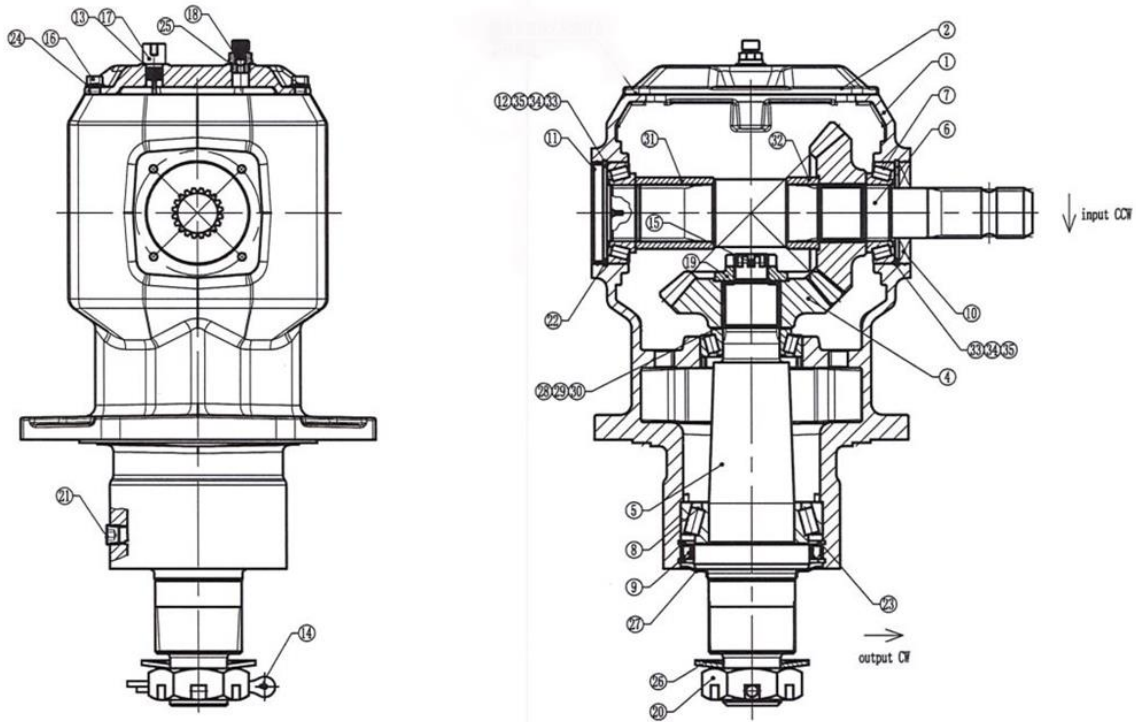
Ref	Part No	Description	QTY
1	183065	GEARBOX MOUNT PLATE	1
2	21839.01	PTO GUARD	1
3	5769999A	GEARBOX DIV'R 620/820 1000	1
4	5770671	CENTRE COUPLING	1
5	5770670	ROTOR GEARBOX	1
6	5770636	GEARBOX	2
7	5770672	WING SHAFT	2
8	5770549	PLATE AND CLIP	2
9	1777602	GUARD	2
10	05.291.65	BOLT	22
11	B001017	WASHER	28
12	2770447	NYLOCK NUT	28
13	05.291.37	BOLT	6
14	2770402	SETSCREWS	12
15	B001008	NORDLOCK WASHER	20
16	2770244	WASHER	12
17	2770415	BOLT	8
18	42964.01	PLUG	12

5769999A - GEARBOX DIV'R 620/820 1000



Ref	Part No	Description	QTY
1	5760820	GEARSET	1
2	5760820/1	INPUT SHAFT	1
3	5760820/2	OUTPUT SHAFT FOR 5769999A	2
4	4771507	SEAL	4
5	4770660	BEARING	4
6	4770658	BEARING	2
7	5760820/6	CIRCLIP	4
8	5760820/7	SHIM SET FOR 5769999A	1
9	5760820/8	BREATHER	1

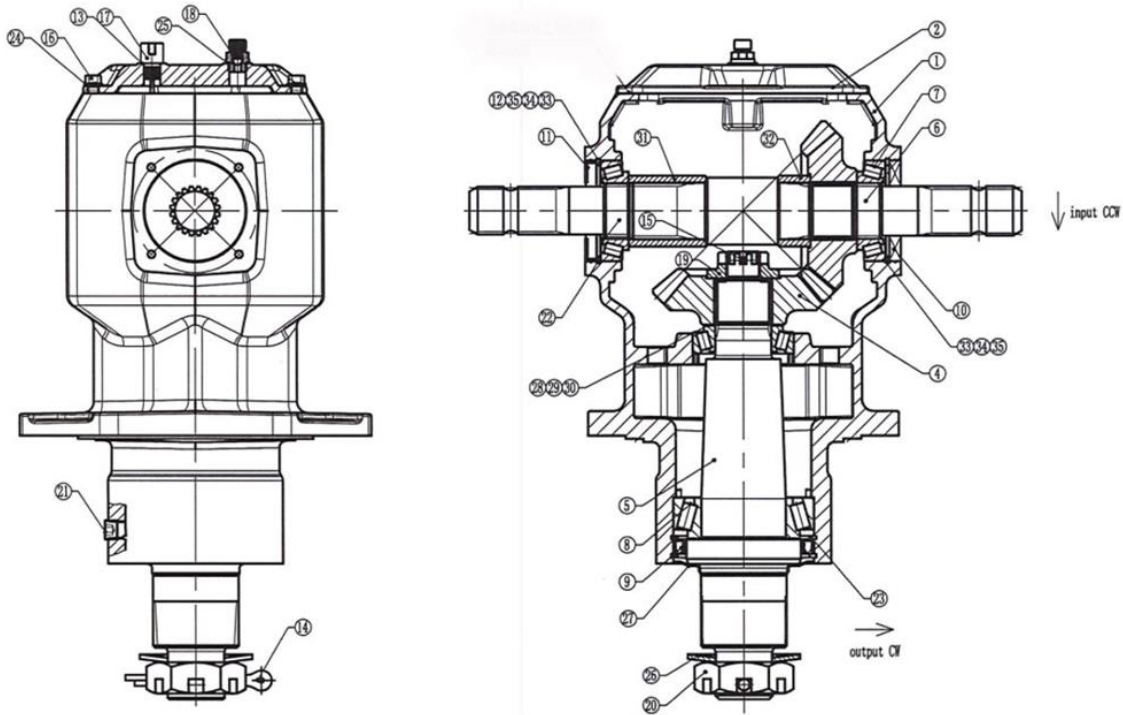
5770670 - ROTOR GEARBOX



Ref	Part No	Description	QTY
2	00790887	CAP	1
5	50069790	OUTPUT SHAFT - EZ225B	1
6	00790924	GEARBOX	1
7	00779007	BEARING	3
8	00790928	BEARING	1
9	00790930	SEAL	1
10	00790889	SEAL	1
11	00790890	CAP	1
14	00790917	COTTER PIN	1
15	70497	COTTER PIN	1
16	00790896	BOLT	6
17	4038612	DIPSTICK	1
18	00790985	BREATHER PLUG	1
19	00790937	NUT	1
20	00790916	CASTLE NUT-EZ225B	1
21	13033	PLUG	1
22	00790931	SNAP RING	2
23	00790891	SNAP RING	2
24	701611C	WASHER	6
25	00790983	SEALING WASHER	1
26	00790915	BELLEVILLE WASHER-EZ225B	1
27	00790914	PROTECTOR SEAL-EZ225B	1

Ref	Part No	Description	QTY
28	00790939	SHIM KIT	1
29	00790939	SHIM KIT	1
30	00790939	SHIM KIT	1
31	00790933	SPACER	1
32	00790932	SPACER	1
33	00790892	SHIM KIT	1
34	00790892	SHIM KIT	1
35	00790892	SHIM KIT	1
36	00790885	TAG-EZ225B GEARBOX	1

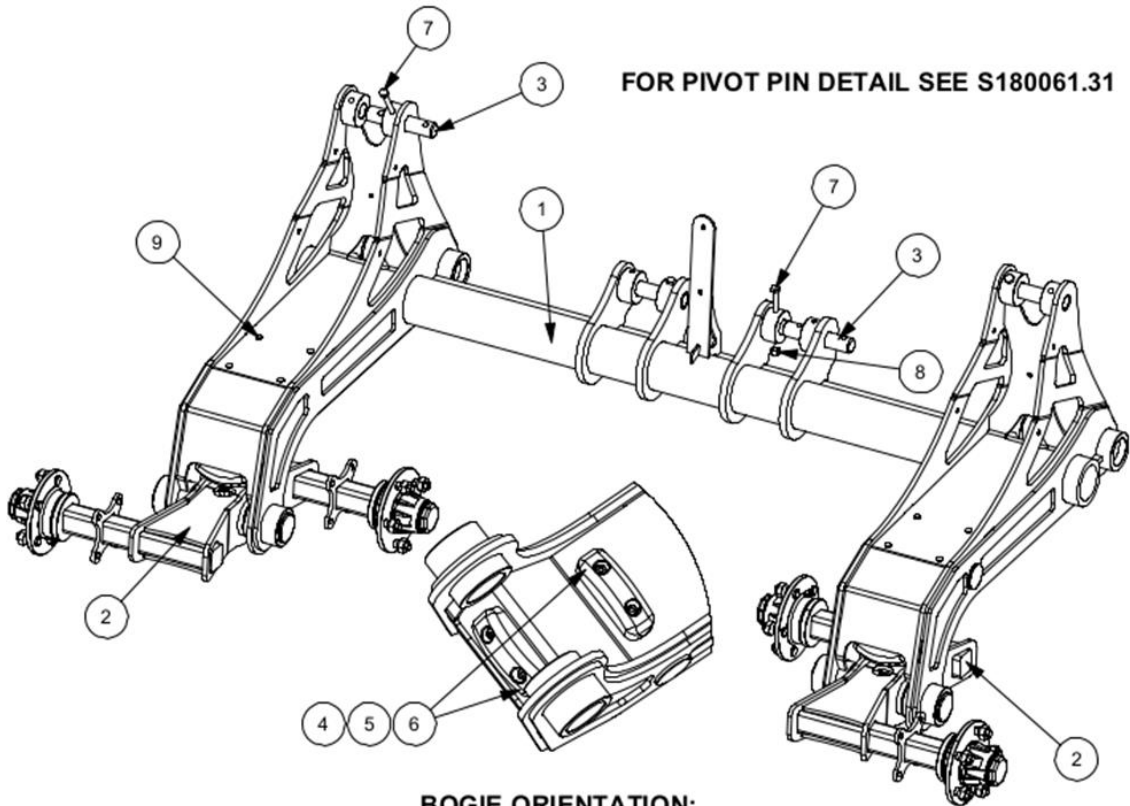
5770636 - GEARBOX



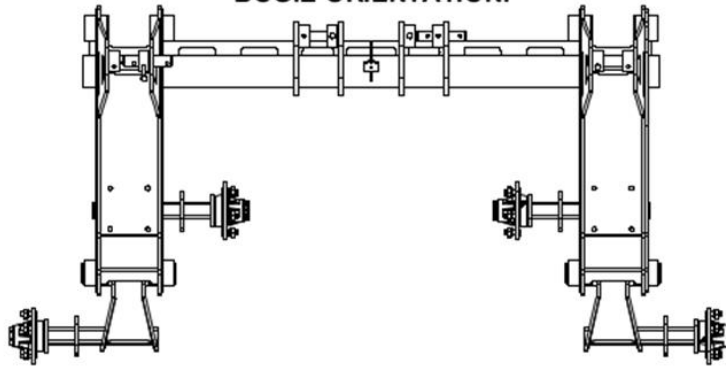
Ref	Part No	Description	QTY
2	00790887	CAP	1
5	50069790	OUTPUT SHAFT - EZ225B	1
7	00779007	BEARING	3
8	00790928	BEARING	1
9	00790930	SEAL	1
10	00790889	SEAL	2
14	00790917	COTTER PIN	1
15	70497	COTTER PIN	1
16	00790896	BOLT	6
17	4038612	DIPSTICK	1
18	00790985	BREATHER PLUG	1
19	00790937	NUT	1
20	00790916	CASTLE NUT-EZ225B	1
21	13033	PLUG	1
22	00790931	SNAP RING	2
23	00790891	SNAP RING	2
24	701611C	WASHER	6
25	00790983	SEALING WASHER	1
26	00790915	BELLEVILLE WASHER-EZ225B	1
27	00790914	PROTECTOR SEAL-EZ225B	1
28	00790939	SHIM KIT	1
29	00790939	SHIM KIT	1
30	00790939	SHIM KIT	1

Ref	Part No	Description	QTY
31	00790933	SPACER	1
32	00790932	SPACER	1
33	00790892	SHIM KIT	1
34	00790892	SHIM KIT	1
35	00790892	SHIM KIT	1
36	00790885	TAG-EZ225B GEARBOX	1

S180072.20 - CENTRE AXLE - STANDARD



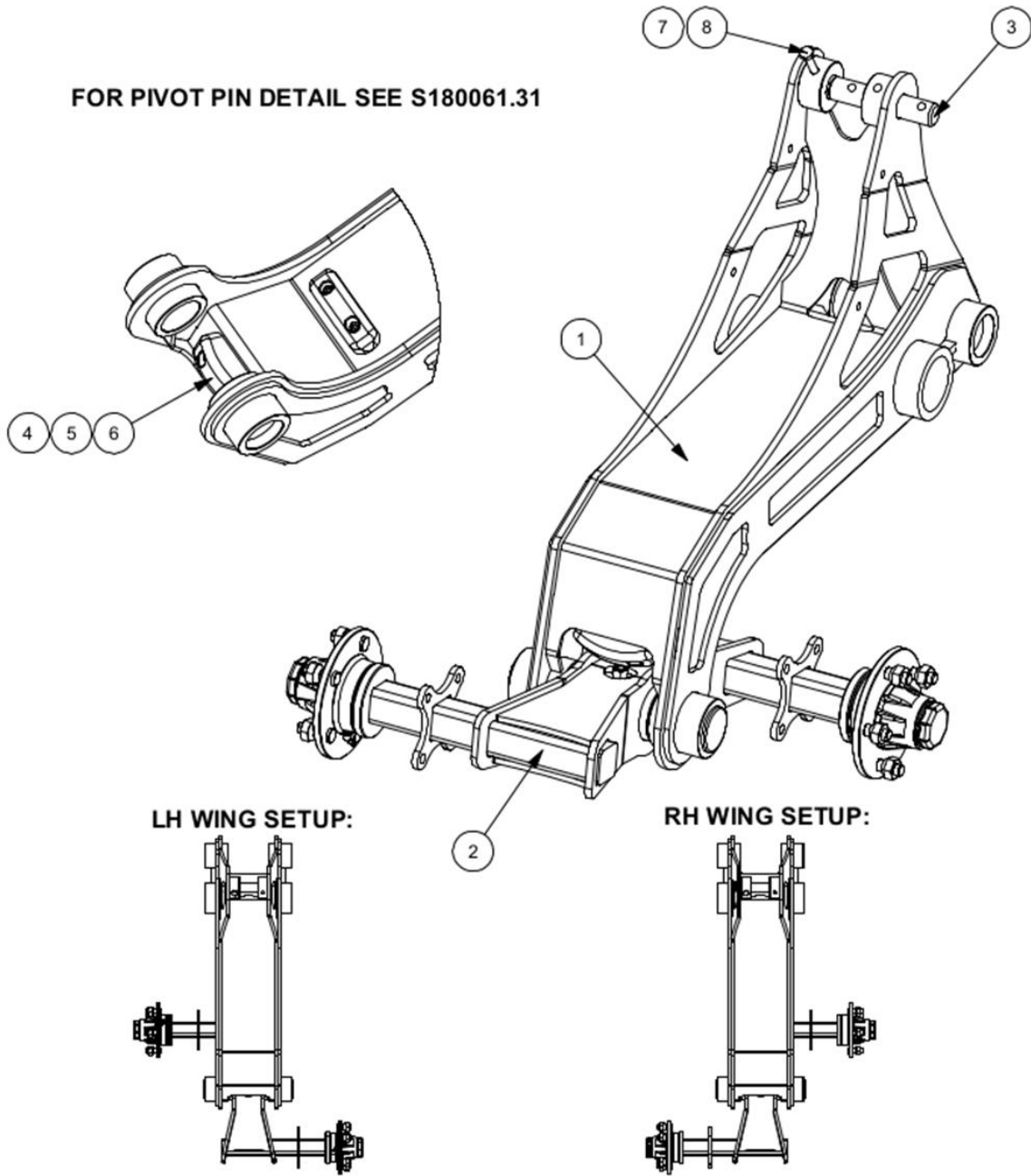
BOGIE ORIENTATION:



Ref	Part No	Description	QTY
1	183204	CENTRE AXLE	1
2	183207	STD BOGIE	2
3	183047	PIN: 32X155MM *PLATED*	4
4	46237.01	BUFFER	4
5	05.625.37	SKT CAP SCREW	8
6	B001008	NORDLOCK WASHER	8
7	05.292.12	BOLT	4
8	2770412	NUT	4
9	42964.02	PLUG	8

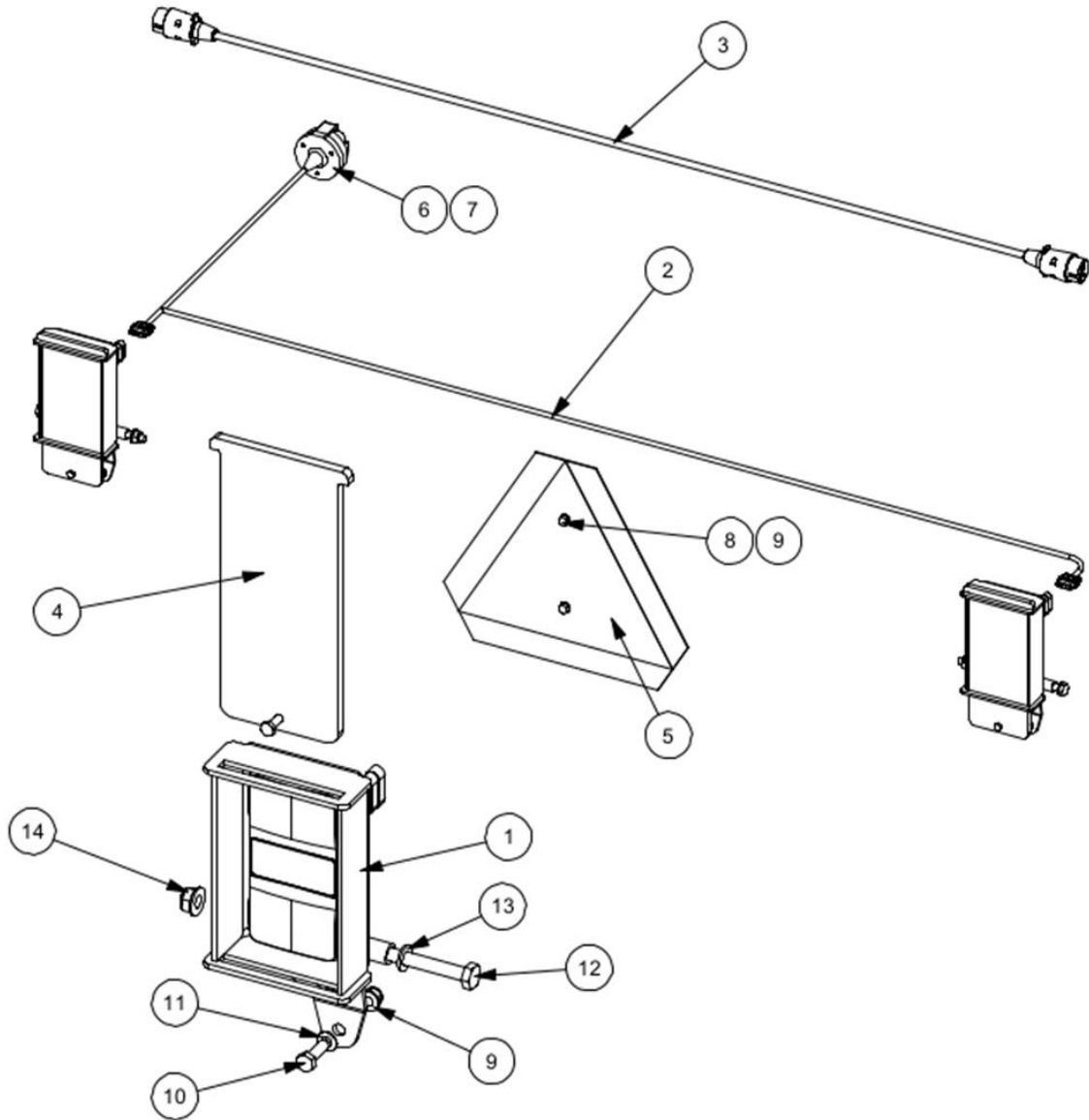
S180072.22 - WING AXLE

FOR PIVOT PIN DETAIL SEE S180061.31



Ref	Part No	Description	QTY
1	183205	WING AXLE	1
2	183207	STD BOGIE	1
3	183047	PIN: 32X155MM *PLATED*	1
4	46237.01	BUFFER	1
5	05.625.37	SKT CAP SCREW	4
6	B001008	NORDLOCK WASHER	4
7	05.292.12	BOLT	1
8	2770412	NUT	1

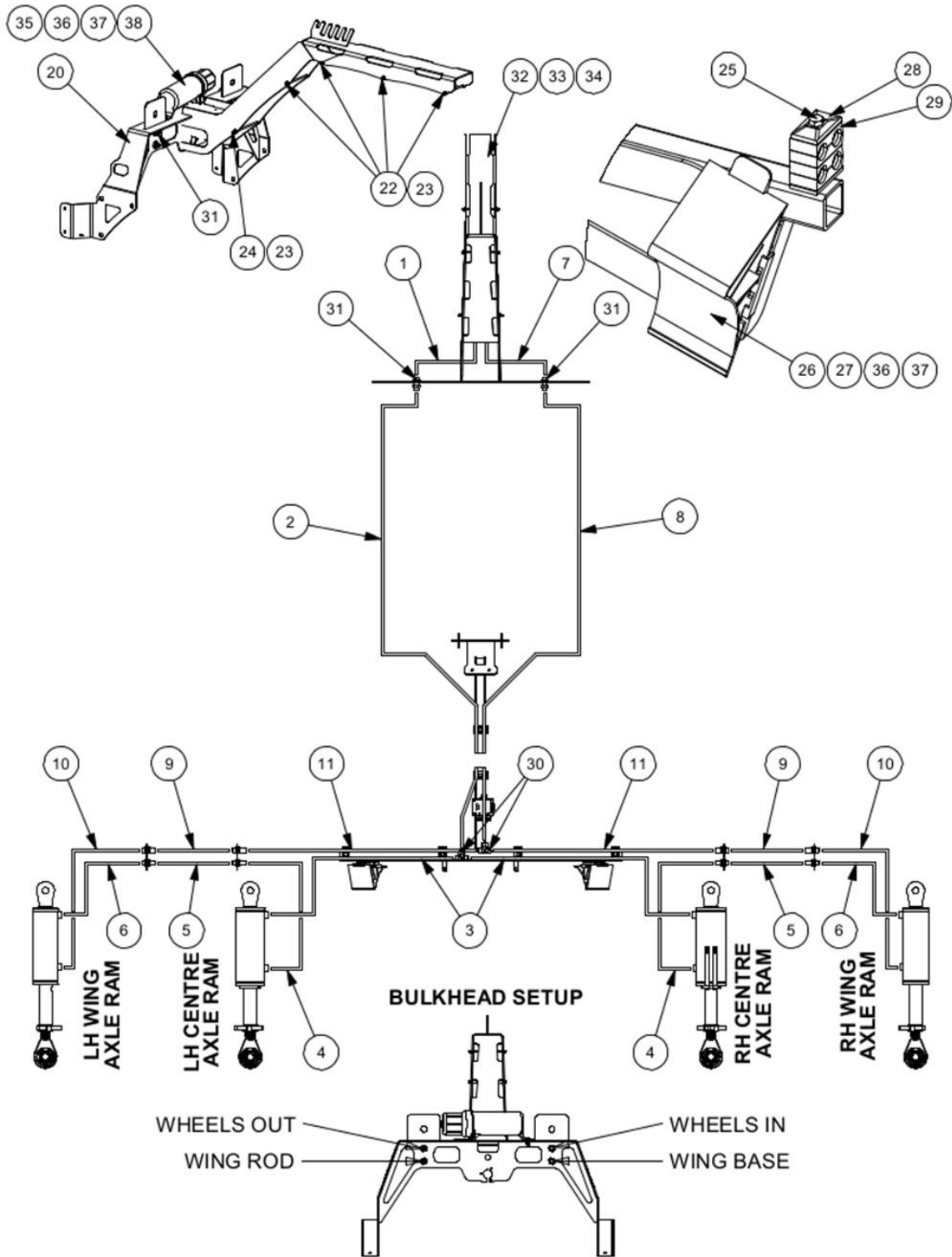
S180072.24 - ARMY LIGHT KIT



Ref	Part No	Description	QTY
1	183118	LIGHT MOUNT BRACKET	2
2	8771345	LIGHT LOOM	1
3	8771021	MULTICUT TRACTOR LOOM	1
4	8771326	PERSPEX LIGHT COVER-ORIGINAL	2
5	8770798	REFLECTIVE TRIANGLE	1
6	2770355	SCREW	3
7	2770666	NYLOCK NUT	3
8	05.839.49	SETSCREW	2
9	05.287.20	FLANGE NUT	4
10	2770415	BOLT	2
11	2770432	WASHER	2
12	AB73917X10S	BOLT	2
13	2770434	FLAT WASHER	2
14	05.287.21	FLANGE LOCKNUT	2

Ref	Part No	Description	QTY
15	30.058.66	CLIP	10

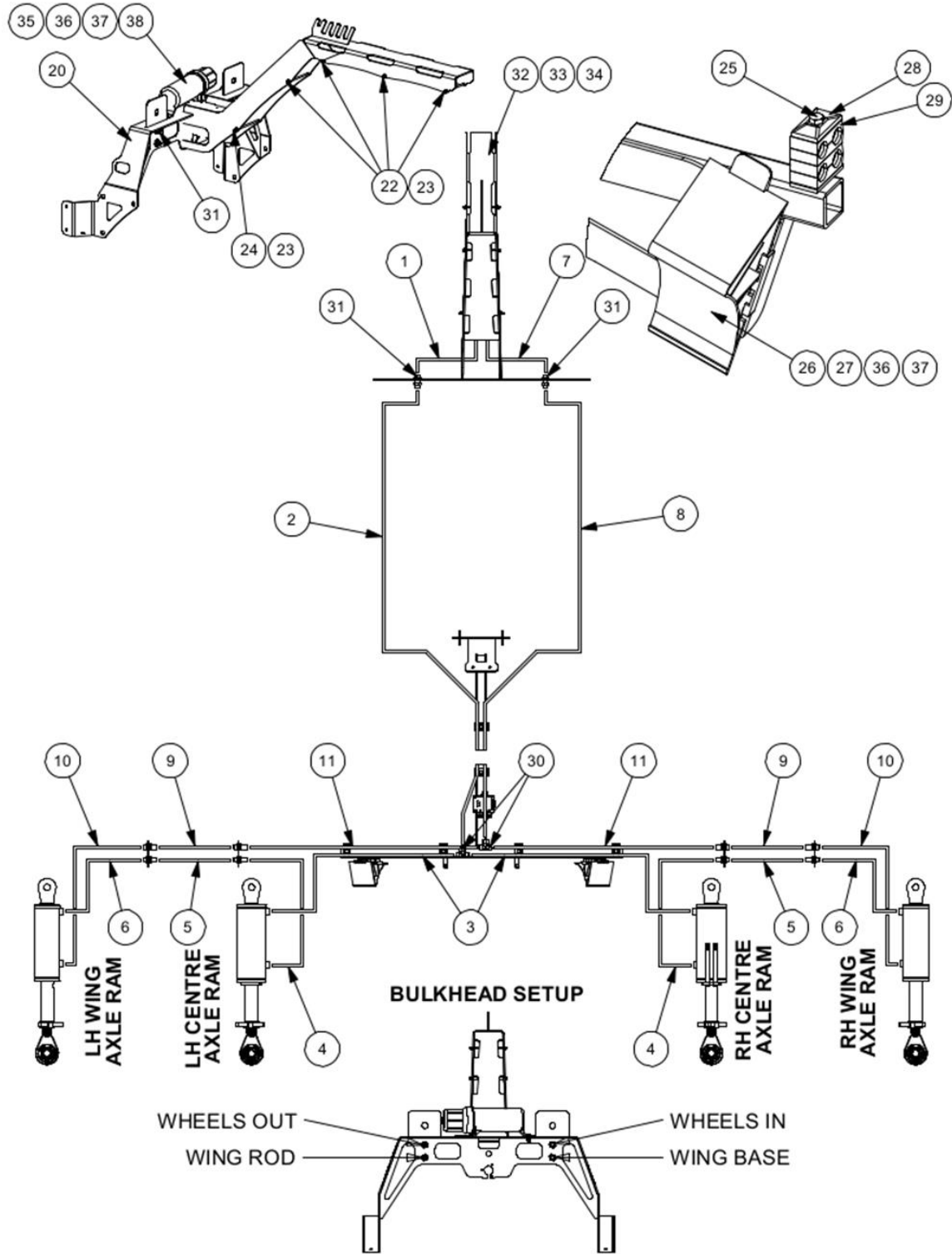
S180072.28 - HYDRAULICS



Ref	Part No	Description	QTY
1	3770675	SM500 AXLE HOSE KIT	1
20	183295	HOSE GUIDE	1
21	30.068.83	SETSCREW	4
22	04.282.73	STUD	4
23	2770664	NYLOCK NUT	14
24	04.282.83	STUD	1
25	05.291.07	BOLT	7

Ref	Part No	Description	QTY
26	22247.01	HOLDER	2
27	22247.02	HOLDER	2
28	5351.1	PLATE	6
29	06.430.07	HOSE CLAMP	28
30	48850.05	ADAPTOR	2
31	48850.22	BULKHEAD UNION	2
32	3750153	QUICK RELEASE	2
33	48850.02	ADAPTOR	2
34	T5386	DUST CAP	2
35	46505.01	HOLDER	1
36	2770415	BOLT	2
37	2770244	WASHER	2
38	05.287.20	FLANGE NUT	2

3770675 - SM500 AXLE HOSE KIT

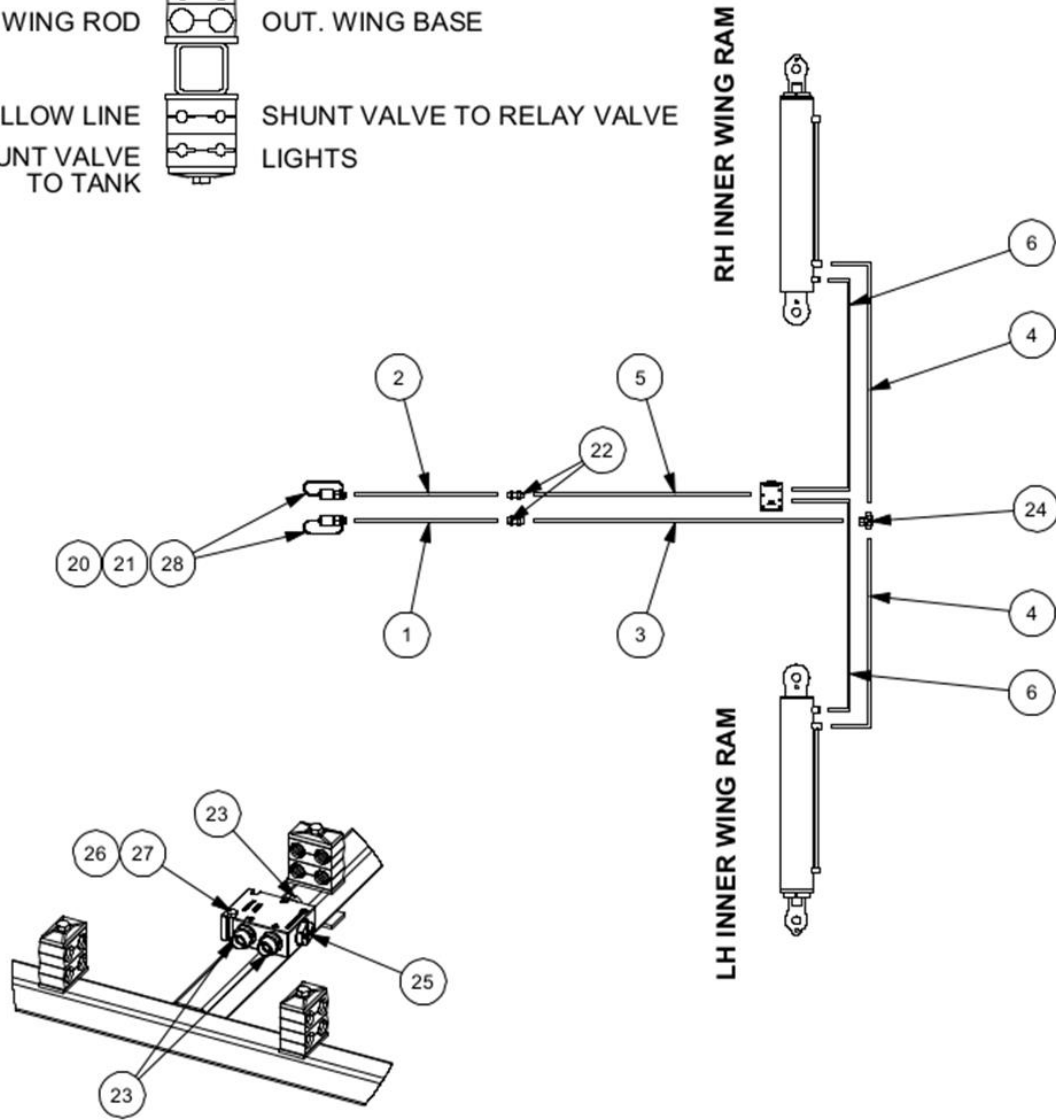
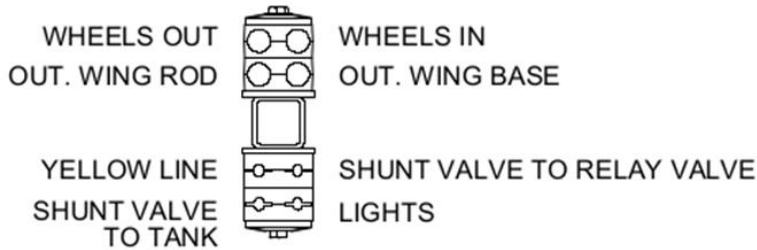


Ref	Part No	Description	QTY
1	3770671.01	HOSE - 3250mm	1
2	3770675.02	3/8 2W M1890-M18STM - 2800mm	1
3	3770675.03	3/8 2W M18ST-M1890 - 1500mm	2
4	3770675.04	3/8 2W M1890-M18ST - 1050mm	2

Ref	Part No	Description	QTY
5	3770675.05	3/8 2W M1890-M1890 - 680mm-0	2
6	3770675.06	3/8 2W M18ST-M1890 - 500mm	2
7	3770671.10	HOSE - 3250mm	1
8	3770675.08	3/8 2W M1890-M18STM - 2800mm	1
9	3770675.09	3/8 2W M1890-M1890 - 680mm-0	2
10	3770675.10	3/8 2W M18ST-M1890 - 720mm	2

S180072.29 - WING RAM HOSES

HOSE CLAMP SETUP (FROM REAR)

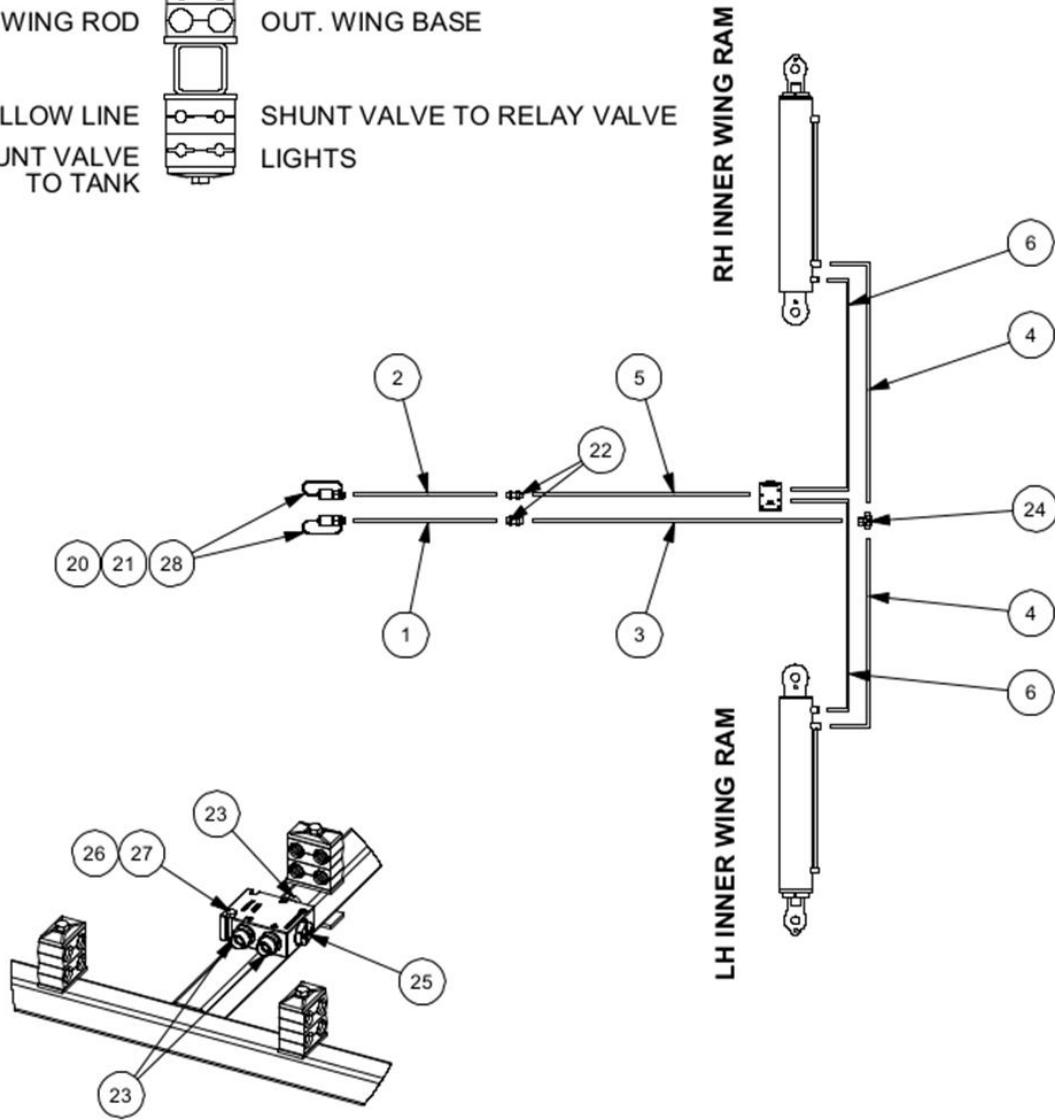
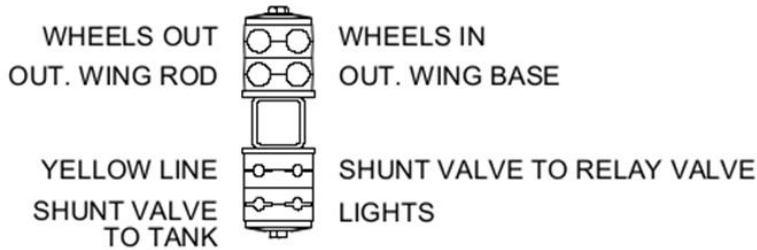


Ref	Part No	Description	QTY
1	3770677	SM730 AXLE HOSE KIT	1
20	3750153	QUICK RELEASE	2
21	48850.02	ADAPTOR	2
22	48850.22	BULKHEAD UNION	2
23	48850.01	ADAPTOR	3
24	48850.05	ADAPTOR	1
25	3600128	FLOW DIVIDER	1
26	9213183	BOLT	2
27	2770664	NYLOCK NUT	2

Ref	Part No	Description	QTY
28	3700237	DUST CAP	2

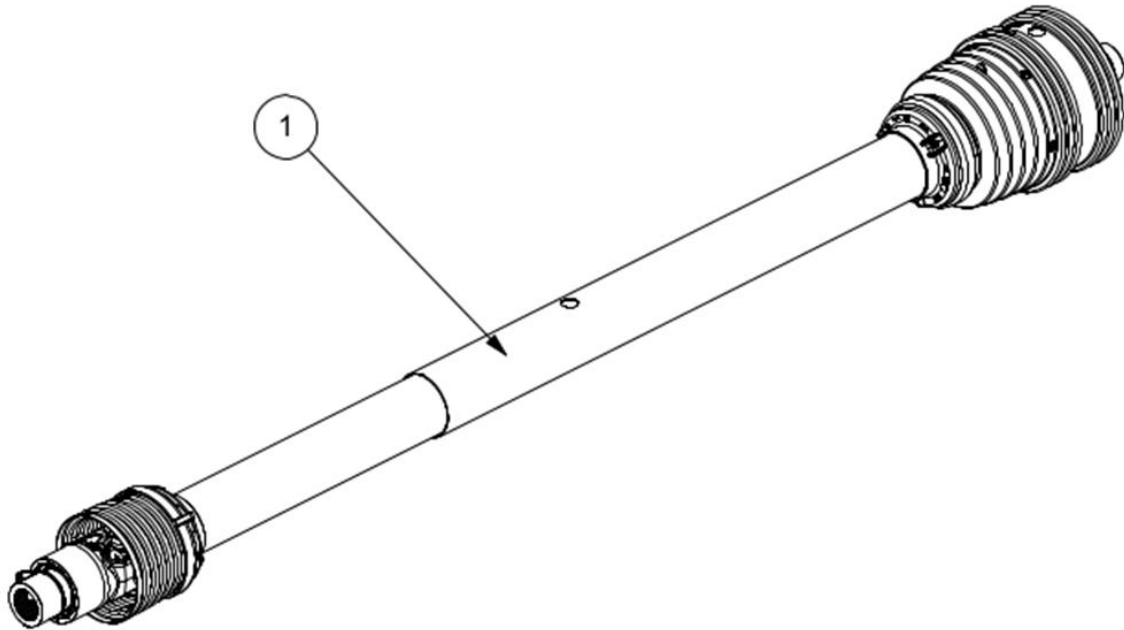
3770677 - SM730 AXLE HOSE KIT

HOSE CLAMP SETUP (FROM REAR)



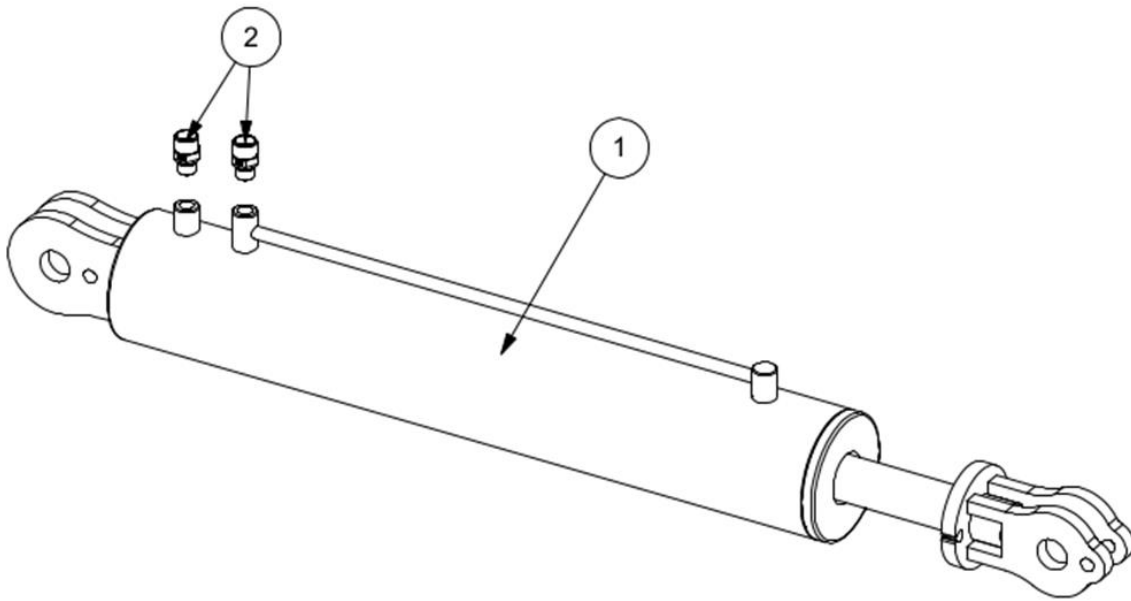
Ref	Part No	Description	QTY
1	3770672.01	HOSE - 3250mm	1
2	3770672.02	HOSE - 3250mm	1
3	3770677.03	3/8 2W M1890-M18STM - 2800mm	1
4	3770677.04	3/8 2W M18ST-M18ST - 1200mm	2
5	3770677.05	3/8 2W M1890-M18ST - 2600mm	1
6	3770677.06	3/8 2W M18ST-M18ST - 1250mm	2

S180072.32 - INPUT SHAFT S6 Z21



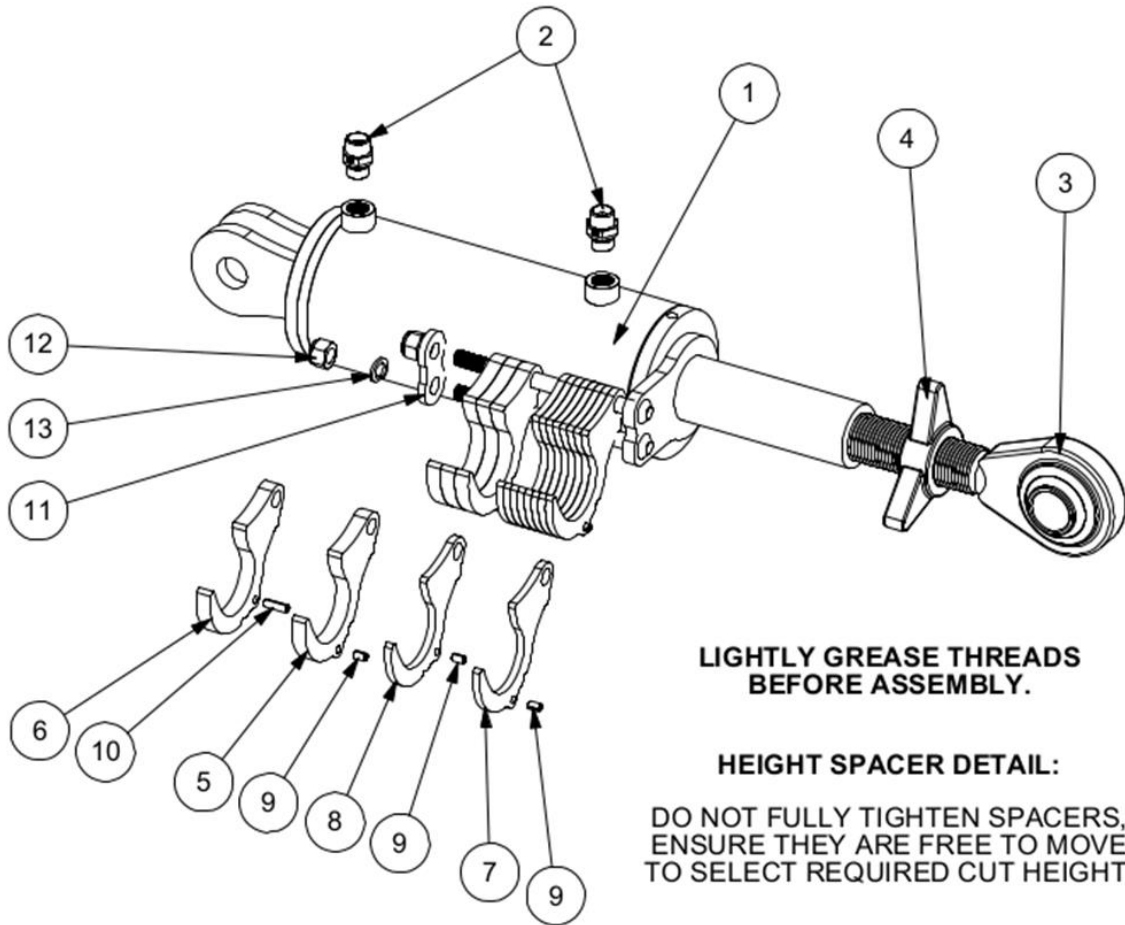
Ref	Part No	Description	QTY
1	5792152	INPUT SHAFT S6 Z21	1

S180072.36 - MAIN WING RAM



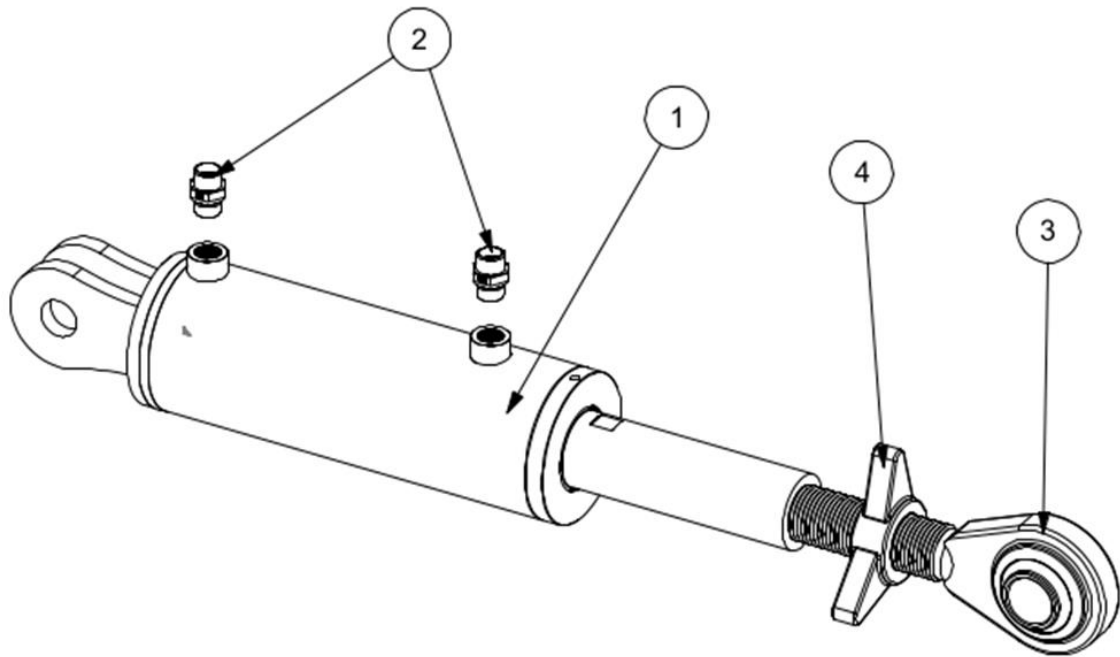
Ref	Part No	Description	QTY
1	3580672G	SM500/730 WING RAM - GREY	1
2	3700391	M18 M - 1/4 BSP M R1.0 ADAPTOR	2

S180072.37 - CENTRE AXLE RAM



Ref	Part No	Description	QTY
1	3580726G	CENTRE HEIGHT RAM-GREY	1
2	48850.01	ADAPTOR	2
3	6310285	FORGED BALL END-1"1/4-186MM	1
4	6310275	LOCKIN COLLAR-M36X3	1
5	182559	RAM SPACER 1 *P*	3
6	182560	RAM SPACER 2 *P*	2
7	183328	RAM SPACER 6MM-OUTER *P*	5
8	183329	RAM SPACER 6MM-INNER *P*	5
9	2770703	ROLL PIN-M6X10MM *PLATED*	11
10	2770526	ROLLPIN	4
11	180641	PLATE:	1
12	2770417	NUT	2
13	2770442	WASHER	2

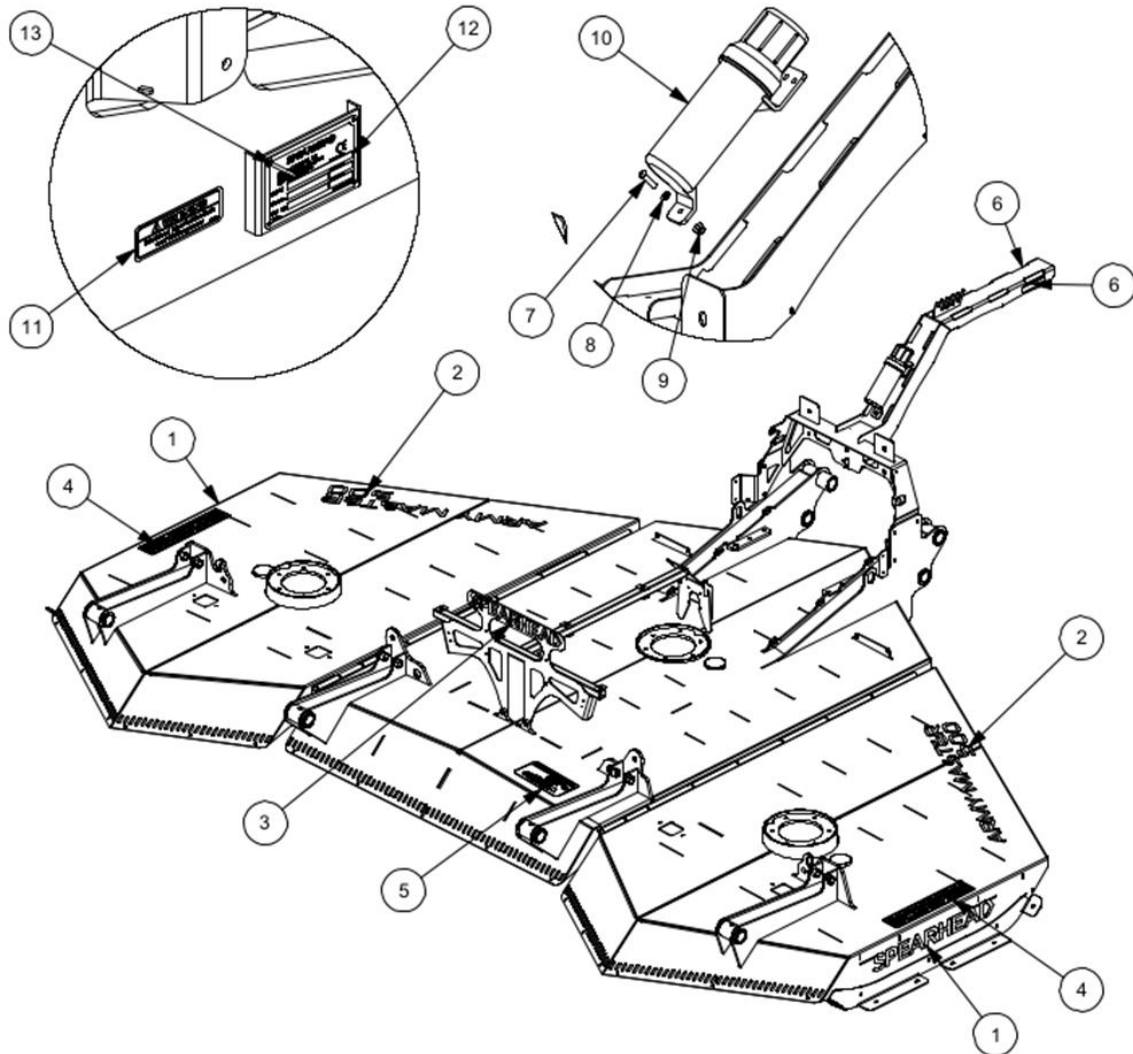
S180072.38 - WING AXLE RAM



**LIGHTLY GREASE THREADS
BEFORE ASSEMBLY.**

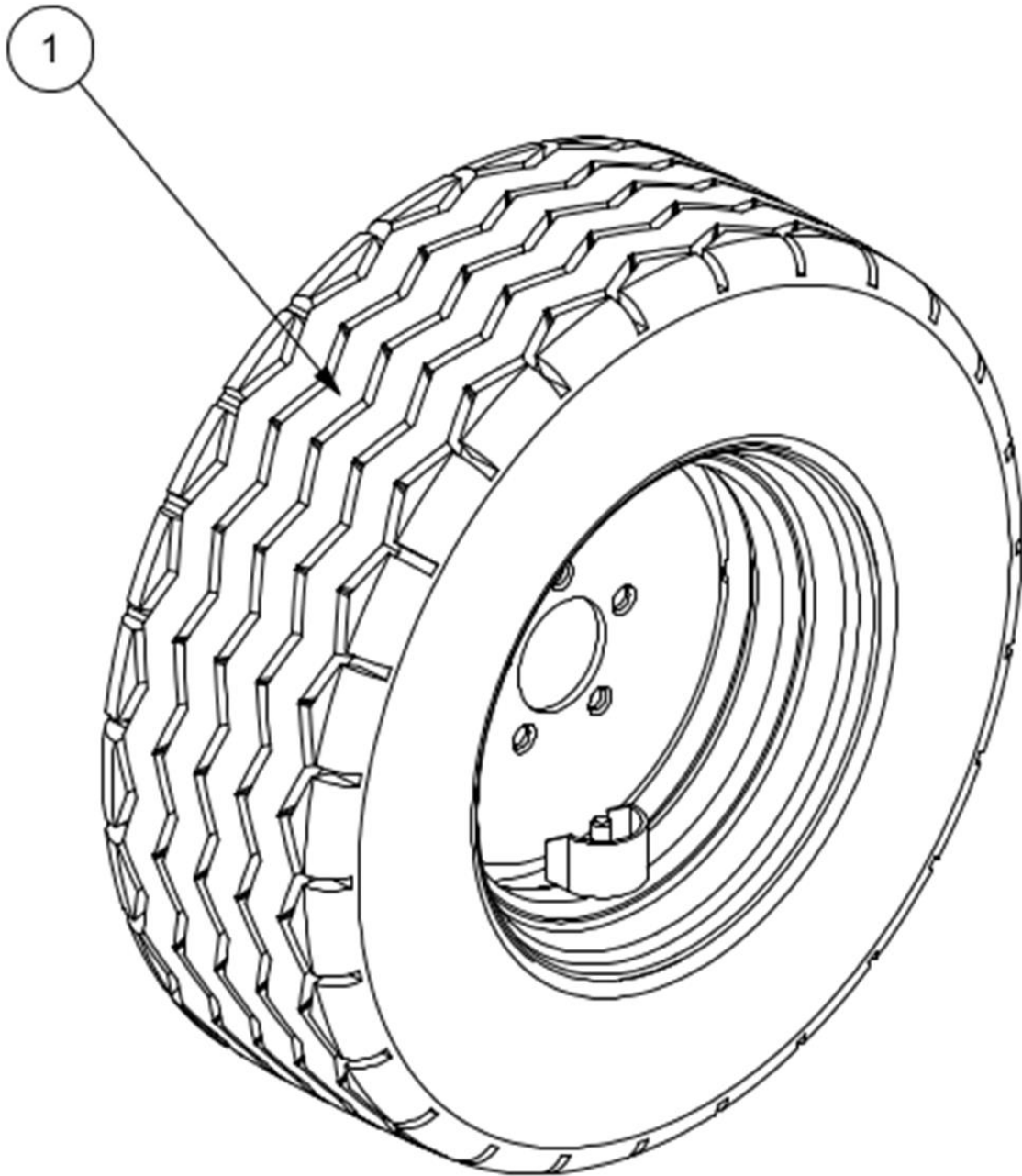
Ref	Part No	Description	QTY
1	3580727G	RH HEIGHT RAM-GREY	1
2	48850.01	ADAPTOR	2
3	6310285	FORGED BALL END-1"1/4-186MM	1
4	6310275	LOCKIN COLLAR-M36X3	1

S180072.41 - MARKETING & SAFETY DECALS



Ref	Part No	Description	QTY
1	8771054	SPEARHEAD DECAL - 800mm	2
2	8771344	ARMY MASTER 500 DECAL	2
3	8771053	SPEARHEAD DECAL - 600mm	1
4	8770630	ROTARY TRAILED SAFETY DECAL	2
5	8770578	SM SET-UP DECAL	1
6	8770642	DESIGNED & BUILT IN GB DECAL	2
7	2770368	SCREW	2
8	2770432	WASHER	2
9	05.287.20	FLANGE NUT	2
10	46505.01	HOLDER	1
11	D960	DECAL WARNING CANCER AND HARM	1
12	8771055	SPEARHEAD SERIAL PLATE	1
13	7103230	RIVET	4

S180072.42 - WHEEL ASSY- FOAM FILLED SCH



Ref	Part No	Description	QTY
1	6770650FB	WHEEL+TYRE ASSY-FOAM FILLED	1