

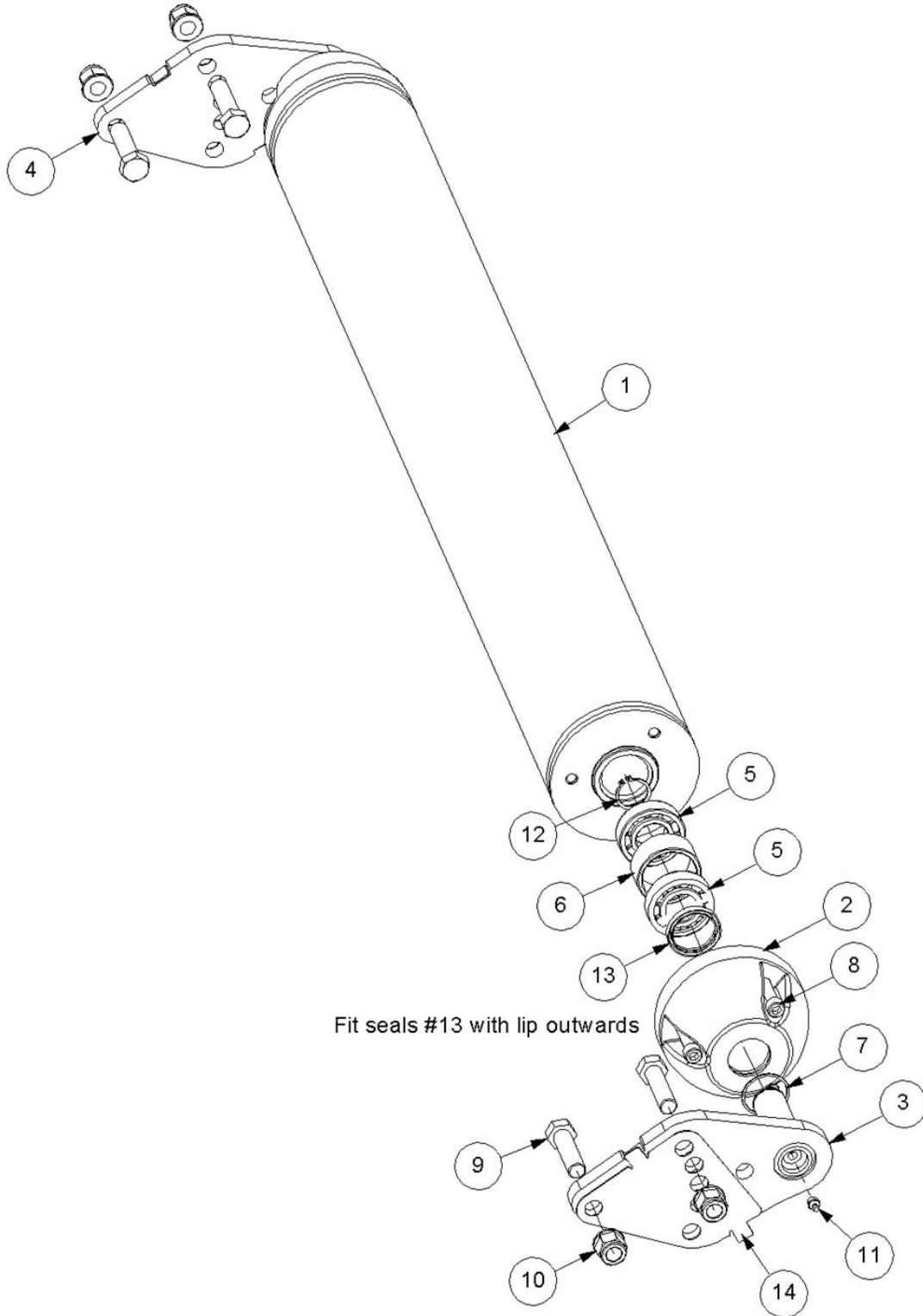
PARTS MANUAL

FOR

SERIAL NO: M2376249

PRINTED ON 25 OCT 2023

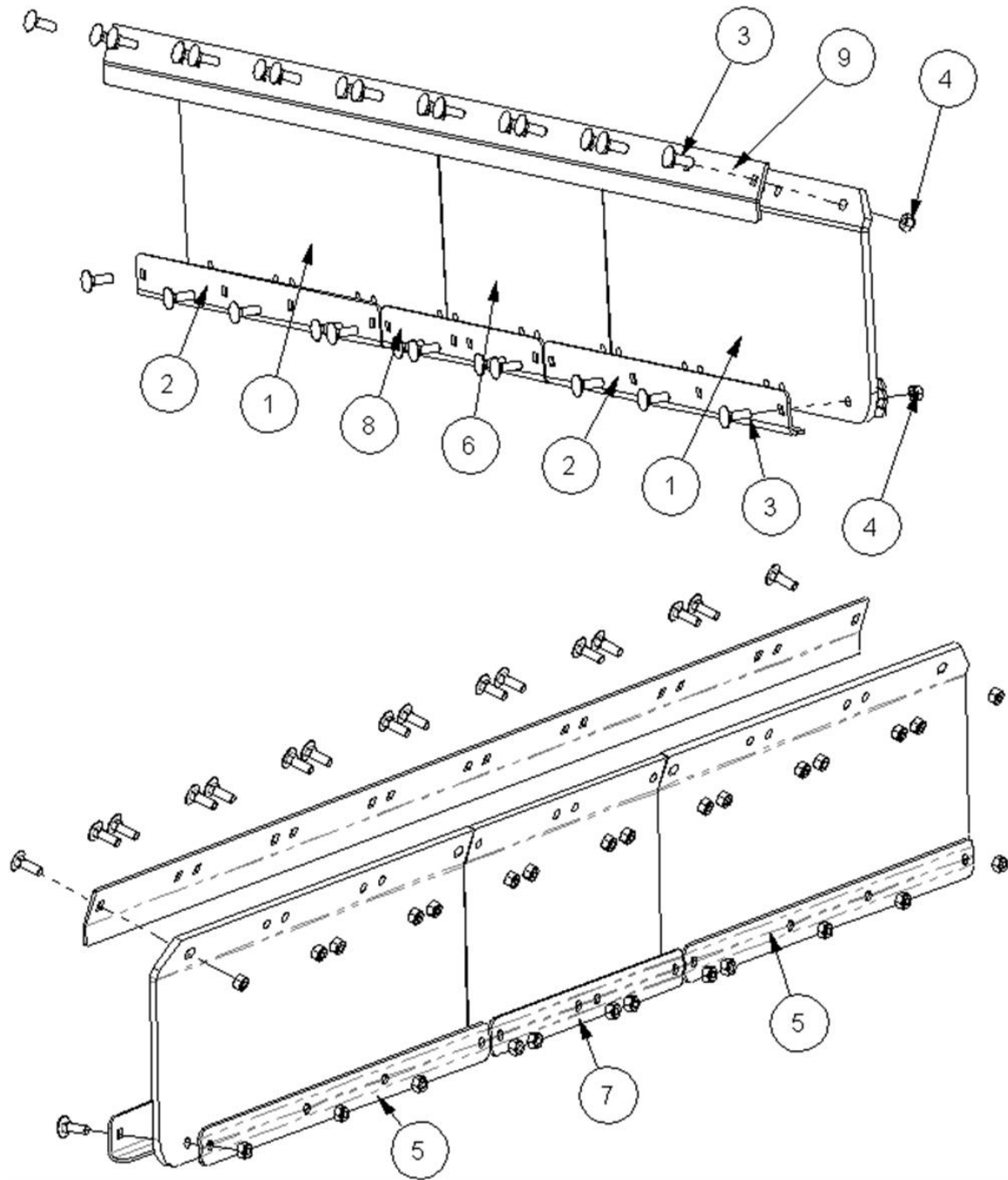
21523.49 - 1.2 DMS ROLLER - CAST LUGS



Ref	Part No	Description	QTY
1	21394.03	ROLLER	1
2	21394.32	CAP	2

Ref	Part No	Description	QTY
3	21524.14	BRACKET -LH	1
4	21524.15	BRACKET -RH	1
5	0600111	BEARING	4
6	21523.31	SPACER	2
7	0402240	RING	2
8	9343105	SCREW	6
9	9200031	BOLT	4
10	9100024	NUT	4
11	0901121	GREASER	2
12	0401230	CIRCLIP	2
13	8629239	SEAL	2
14	42257.10	SHIM	2

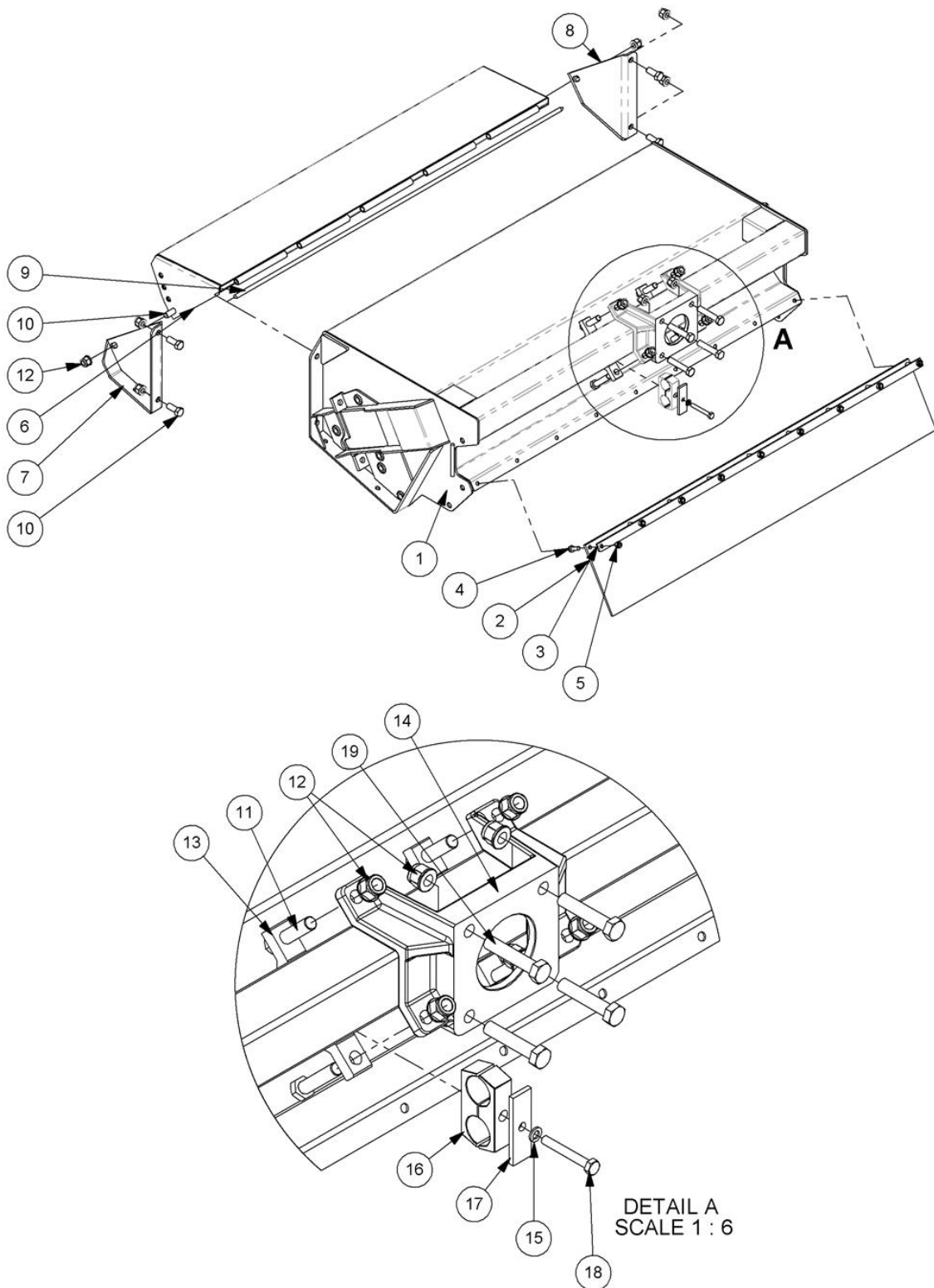
21541.01 - USE 21541.01S FOR SPARES



Ref	Part No	Description	QTY
1	21544.09	FRONT FLAP	2
2	21541.05	PLATE	2
3	9293054	BOLT	28
4	9163004	NUT	28
5	21541.06	PLATE	2
6	21544.02	FLAP	1

Ref	Part No	Description	QTY
7	21541.08	PLATE	1
8	21541.07	PLATE	1
9	7190304	STRIP	1

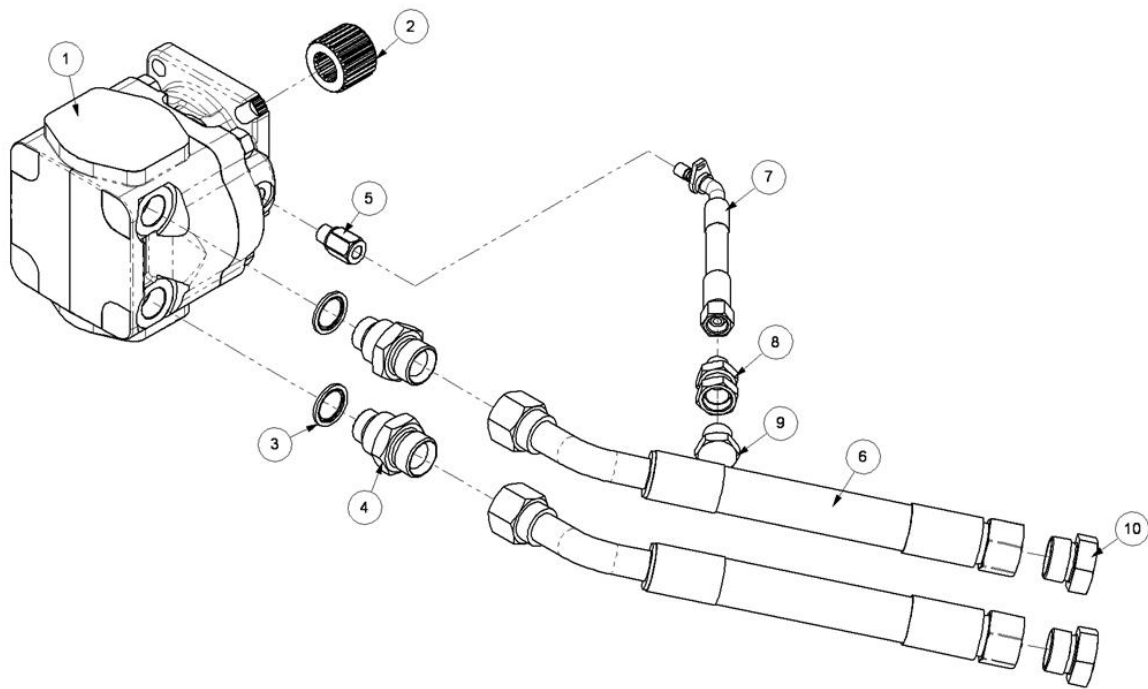
22494.01 - 1.2M DD HEAD CASING



Ref	Part No	Description	QTY
1	41685.03	FLAIL HEAD CASING	1
2	7190314	FLAP	1
3	7190313	PLATE	1
4	9313065	SCREW	9
5	9163005	NUT	9

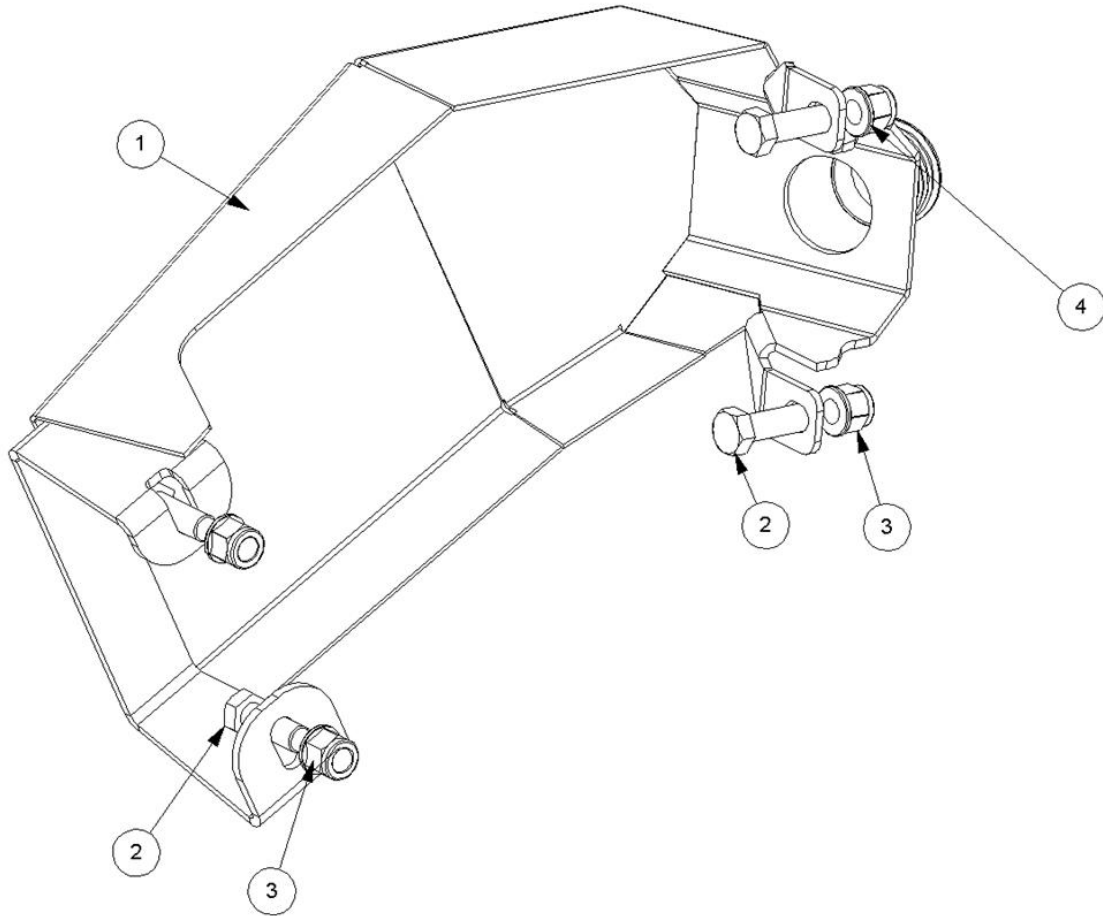
Ref	Part No	Description	QTY
6	41695.02	FRONT HOOD	1
7	7290388	BRACKET - LH	1
8	7290387	BRACKET - RH	1
9	41700.01	PIN	1
10	30.073.25	BOLT	6
11	12.714.75	BOLT	4
12	9100024	NUT	14
13	7198332	CLAMP	2
14	22748.01	BRACKET	1
15	9100205	WASHER	1
16	7193063	CLAMP	1
17	06.418.05	PLATE	1
18	9213145	BOLT	1
19	9210167	BOLT	4

22495.01 - 125LPM DRIVE MODULE



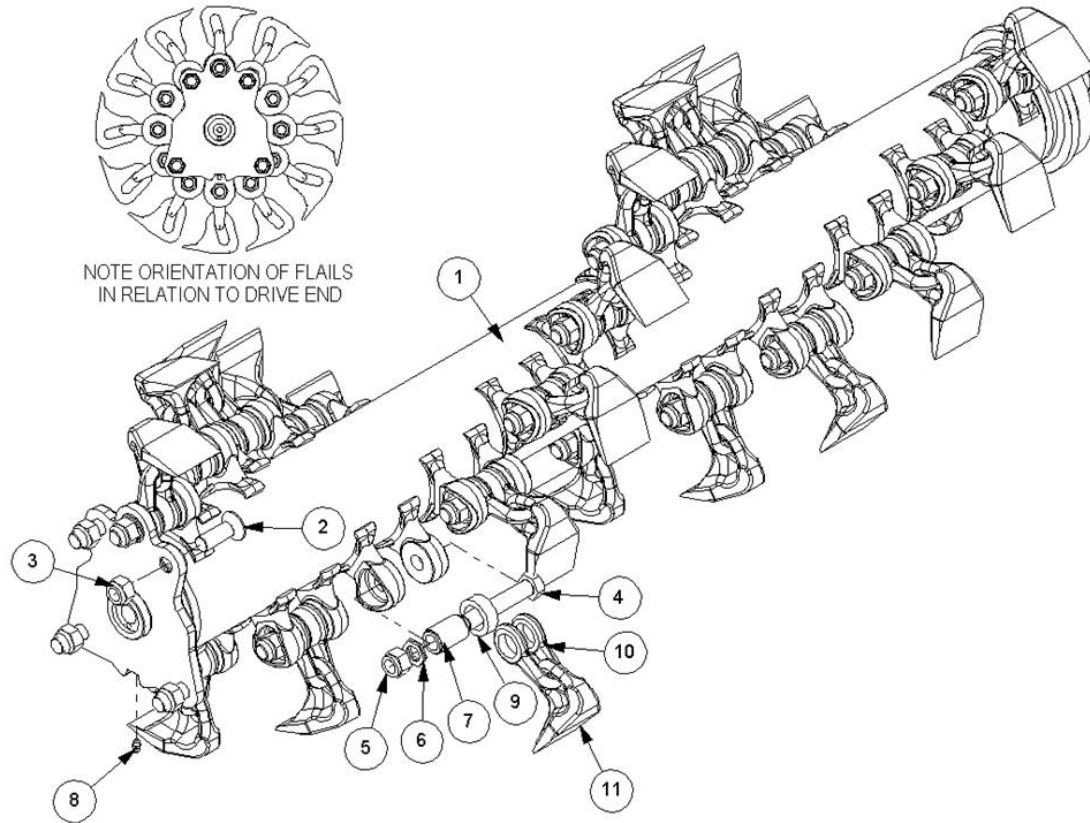
Ref	Part No	Description	QTY
1	8301313	MOTOR	1
1	8699263	SEAL KIT	0
2	43390.03	COUPLING	1
3	8650106	SEAL	2
4	8581295	ADAPTOR	2
5	01.099.01	ADAPTOR	1
6	8501401	HOSE	2
7	10.030.29	HOSE	1
8	8581544	SWIVEL ADAPTOR	1
9	8581351	ADAPTOR	1
10	05.433.03	ADAPTOR	2
11	8650102	SEAL	3
12	520378	ADAPTOR	2

22496.01 - LH 85HP COVER MODULE



Ref	Part No	Description	QTY
1	42282.07	COVER	1
2	9200028	BOLT	4
3	9100024	NUT	4
4	43358.01	PLUG	1

22497.67 - 120 QD TUFFCUT ASSY- UNI.Boot

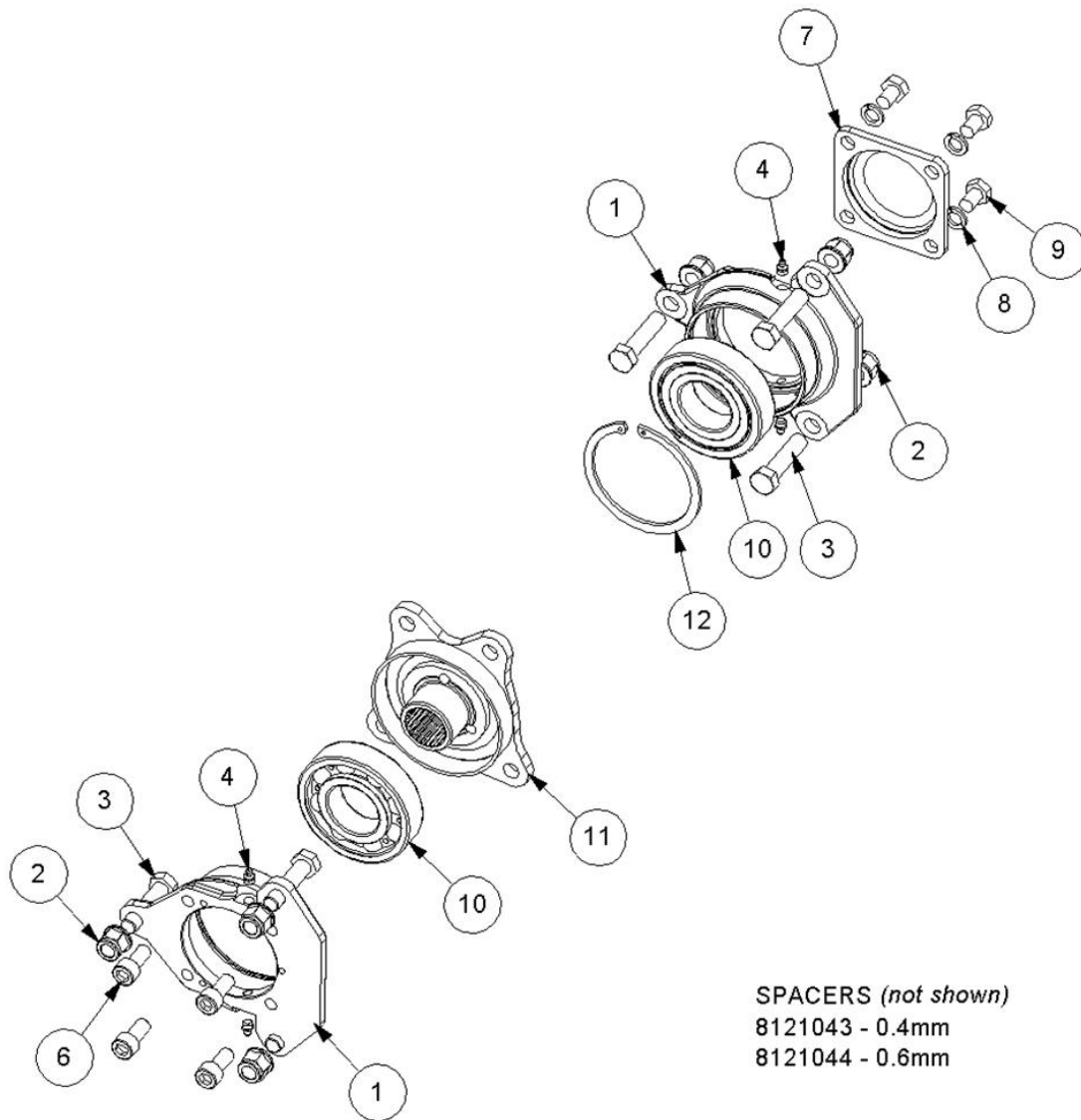


Ref	Part No	Description	QTY
1	23225.01	ROTOR W.A.	1
2	9353097	SCREW	4
3	9163007	NUT	4
4	7314201	BOLT	24
5	0141006	NUT	24
6	9100507	WASHER	24
7	7314223	BUSH	24
8	0901161	GREASER	1
9	7190172	SPACER	24
10	7190175	SHACKLE	24
11	7190462	FLAIL - UNIVERSAL BOOT	24

Uitgevoerd met F14 klepels. 21904.05



22498.01 - QUAD DRIVE MODULE

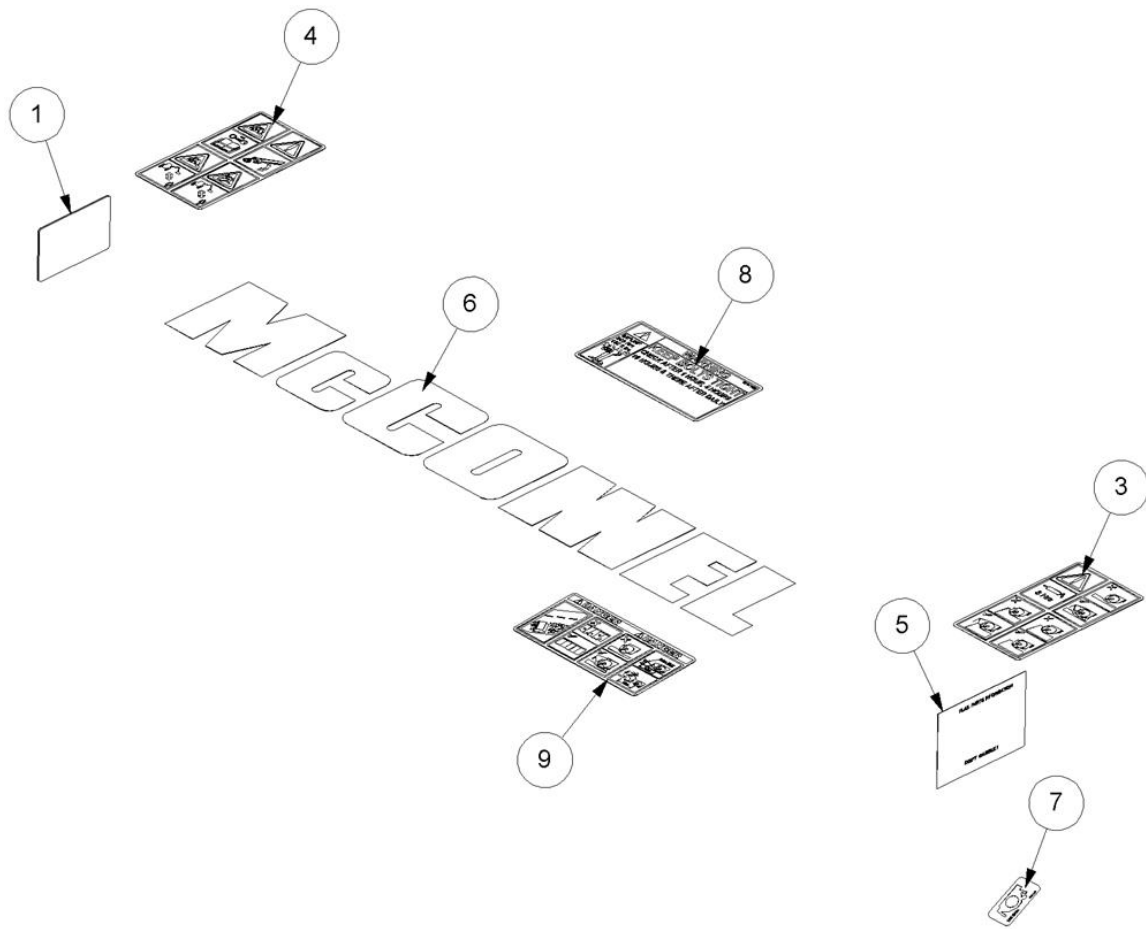


SPACERS (*not shown*)
 8121043 - 0.4mm
 8121044 - 0.6mm

Ref	Part No	Description	QTY
1	7190367	HOUSING	2
2	9100024	NUT	6
3	9200024	BOLT	6
4	0901121	GREASER	4
6	9300171	SCREW	4
7	43390.04	PLATE	1
8	05.282.08	WASHER	4
9	9313047	SCREW	4
10	0600018	BEARING - ROTOR	2
11	22269.02	HUB	1
12	7190022	CIRCLIP	1

Ref	Part No	Description	QTY
13	8121044	SPACER	5
14	8121043	SPACER	5

7350709 - STICKER MODULE



Ref	Part No	Description	QTY
1	1335246	SERIAL No. PLATE	1
3	1290738	DECAL	1
4	09.821.35	DECAL	1
5	1290392	DECAL	1
6	1290527	DECAL	1
7	21917.03	DECAL	1
8	1291045	DECAL	1
9	1291231	DECAL	1
10	7103230	RIVET	4
11	09.810.01	DECAL	2

