

Parts Manual for

WGC No: 7443961

PA4330 FM RH

Print date: 10/10/2011

Applicable to Works Order No: 93821J

For Serial No: M1125323



All parts are not created equal and before you settle on an imitation part, know this - McConnel Genuine Parts offer the safety, durability and warranty protection you expect. You've made an investment in your equipment; now invest in its future.

- We design and build to exact specifications requiring strict chemical strength and performance characteristics. (Never reverse engineered like imitation parts).
- McConnel Genuine Parts meet the rigid guidelines necessary to satisfy warranty requirements.
- Our parts experts are available to answer any questions and have first -hand knowledge of all equipment.
- McConnel Genuine Parts are tested to meet all safety standards.
- McConnel parts have a 6 month warranty when fitted by an authorised Dealer.

McCONNEL LIMITED

For parts supply contact your local Dealer or Stockist

To help them help you, always quote:

- ***Machine Type***
- ***Serial Number***
- ***Part Number***

Design improvements may alter some of the parts listed in this manual – the latest part will always be supplied when it is interchangeable with an earlier one.

McCONNEL PARTS DEPARTMENT

Telephone: +44 (0)1584 873131 **Fax:** +44 (0)1584 872223
Direct Parts Line: +44 (0)1584 876888 **Email:** parts@mcconnel.com

CONTENTS

Page No	Schedule No	Schedule Description
2	22674.51	OPERATOR MANUAL
4	7109319	CAB MTG MODULE
6	7313324	GUARD KIT
8	7434500	MAIN FRAME MODULE
10	7434502	TANK MODULE LH
12	212.013	FILTER ASSY 100 L
14	7434511	ANGLING GEAR
16	7434514	ROCKER MODULE
18	7434520	MAIN ARM MODULE
20	743452209	HOSE KIT
22	7434529	DIPPER MODULE
24	7434533	MODULE DIPPER RH
26	7434540	TANK FITTINGS
28	7434543	PUMP AND GEARBOX ASS
30	8201466	HYD PUMP
32	7434557	ACV ASSY
34	22525.08	CONTROL SOLENOID KIT
36	22524.48	ADAPTOR KIT
38	7434568	RCV ON/OFF
40	08.943.01	VALVE
42	7434574	HYD INST
44	41014.12	RAM
46	41322.02	RAM
48	41014.13	RAM
50	7191072	RAM
52	7434576	PACKING KIT
54	7434582	BASIC STICKER KIT
56	7434585	PA4330 DECAL KIT
58	7434627	STABILIZER KIT
60	8402919	MINI XTC KIT
62	8402394	CONTROL BOX

* optional component

Publication 651
July 2010
Part No. 22674.51



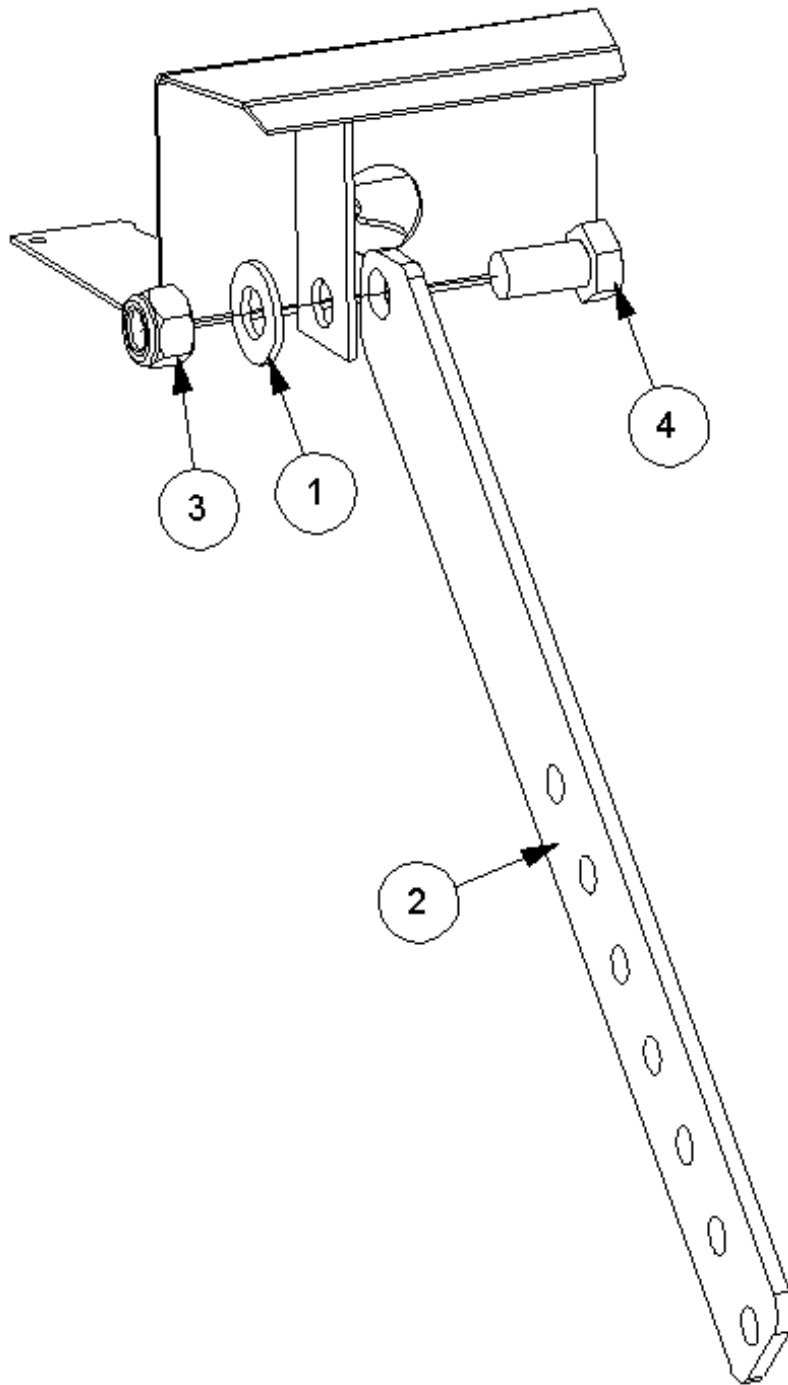
McCONNEL

PA3430 / PA4330 Series COMPACT TRIMMER / MOWER

Operator Manual

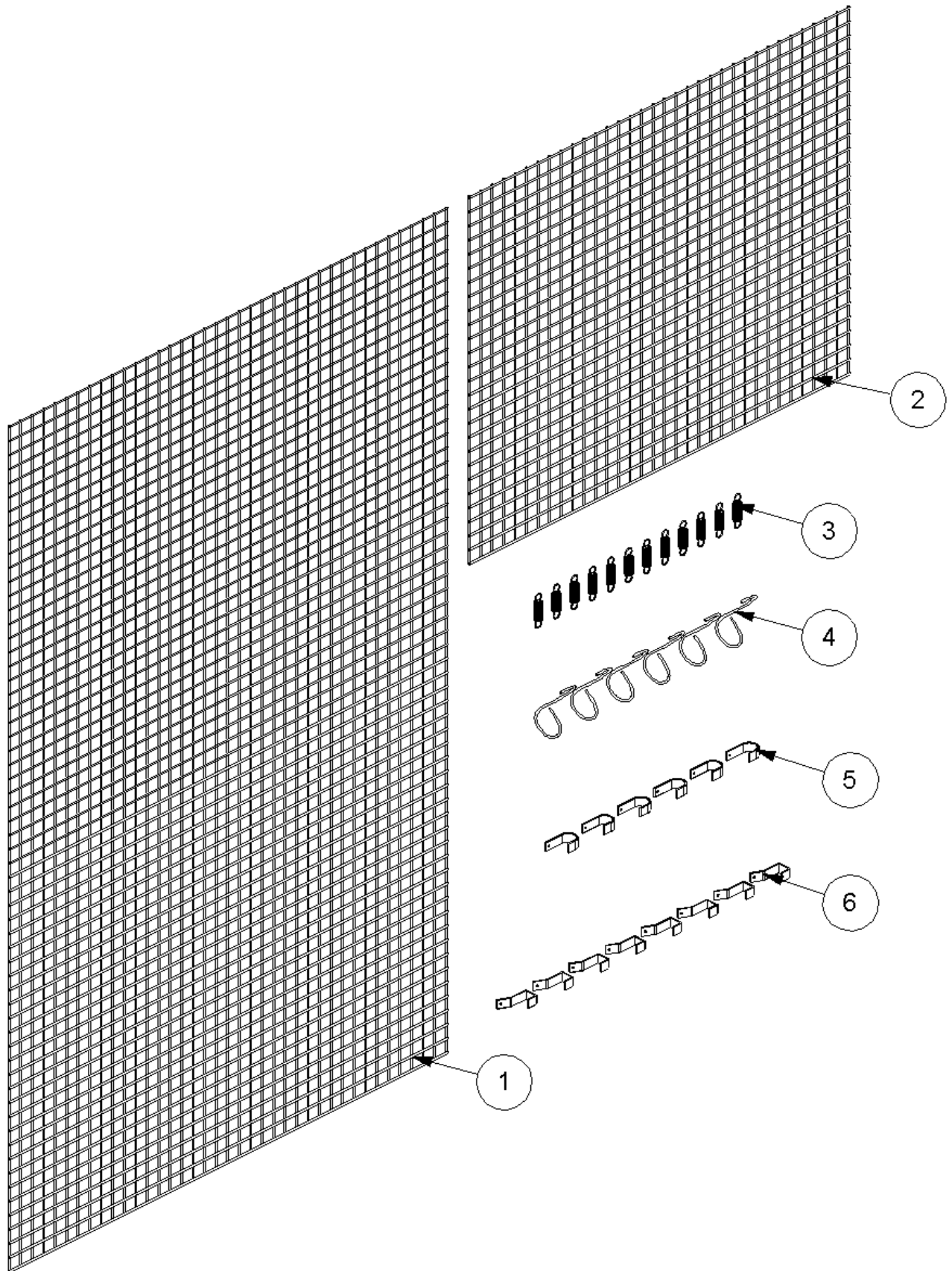


SWITCHBOX BRACKET SHOWN FOR DISPLAY ONLY



7109319 - CAB MTG MODULE

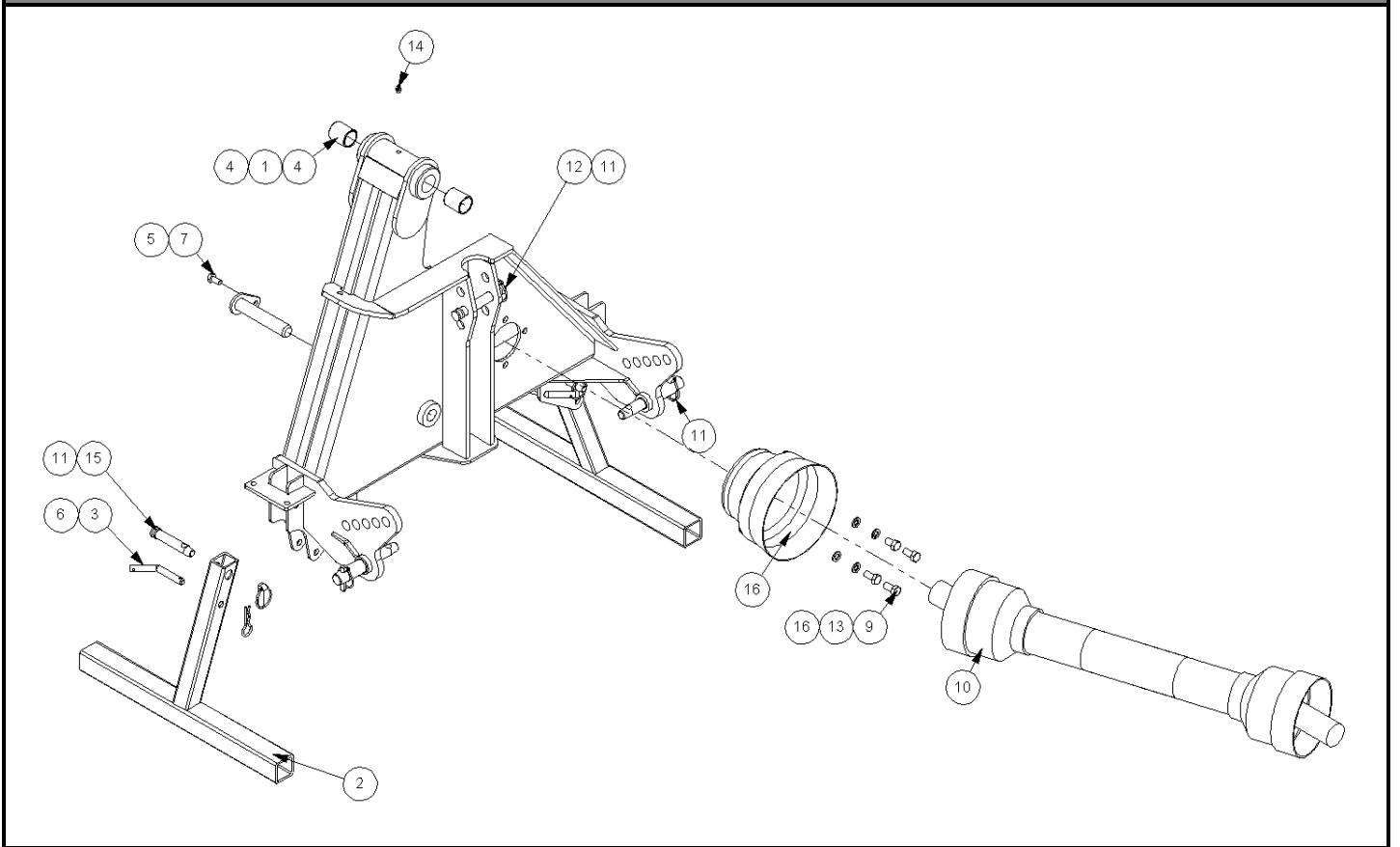
Ref	Part No	Description	Qty
1	0100106	WASHER	1
2	7109146	PILLAR	1
3	9163007	NUT	1
7	9313067	SCREW	1



7313324 D - GUARD KIT

Ref	Part No	Description	Qty
1	7313049	GUARD PANEL	1
2	7313050	GUARD PANEL	1
3	6001064	SPRING	12
4	6001065	HOOK	6
5	41587.01	GUARD HOOK	6
6	41745.01	HOOK	8

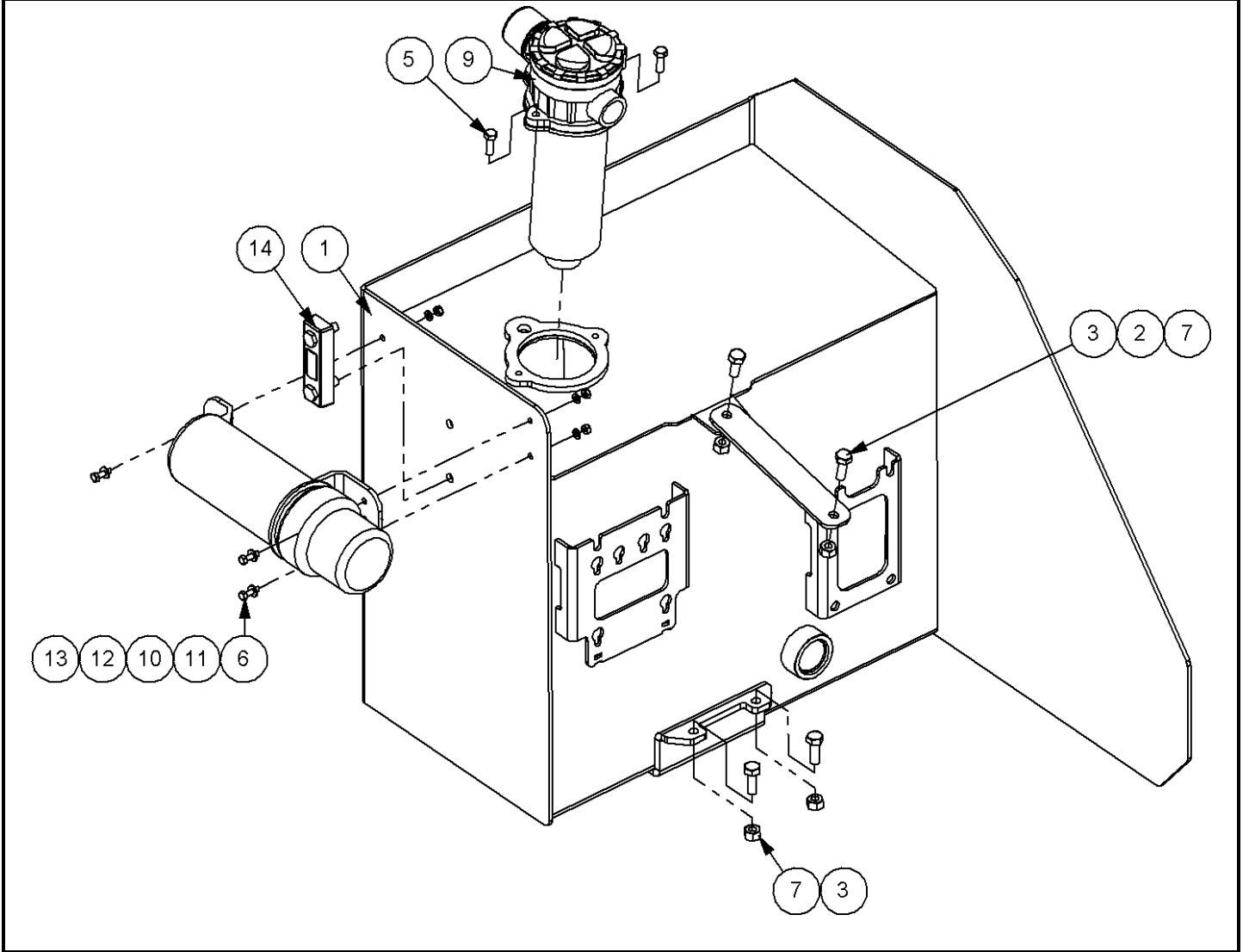
743450 C - MAIN FRAME MODULE



7434500 C - MAIN FRAME MODULE

Ref	Part No	Description	Qty
1	22852.01	MAIN FRAME W/ASSY	1
2	41203.05	STAND LEG	2
3	1090051	PIN	2
4	21149.01	BUSH	2
5	41267.02	PIN	1
6	0431105	PIN	2
7	9313045	SCREW	1
8	9313046	SCREW	1
9	9313056	SCREW	3
10	7114289	PTO SHAFT	1
11	0431217	PIN	5
12	6310202	CAT 1 TOP LINK PIN	1
13	9100206	WASHER	4
14	0901121	GREASER	1
15	T8117	PIN	2
16	42694.04	GUARD	1

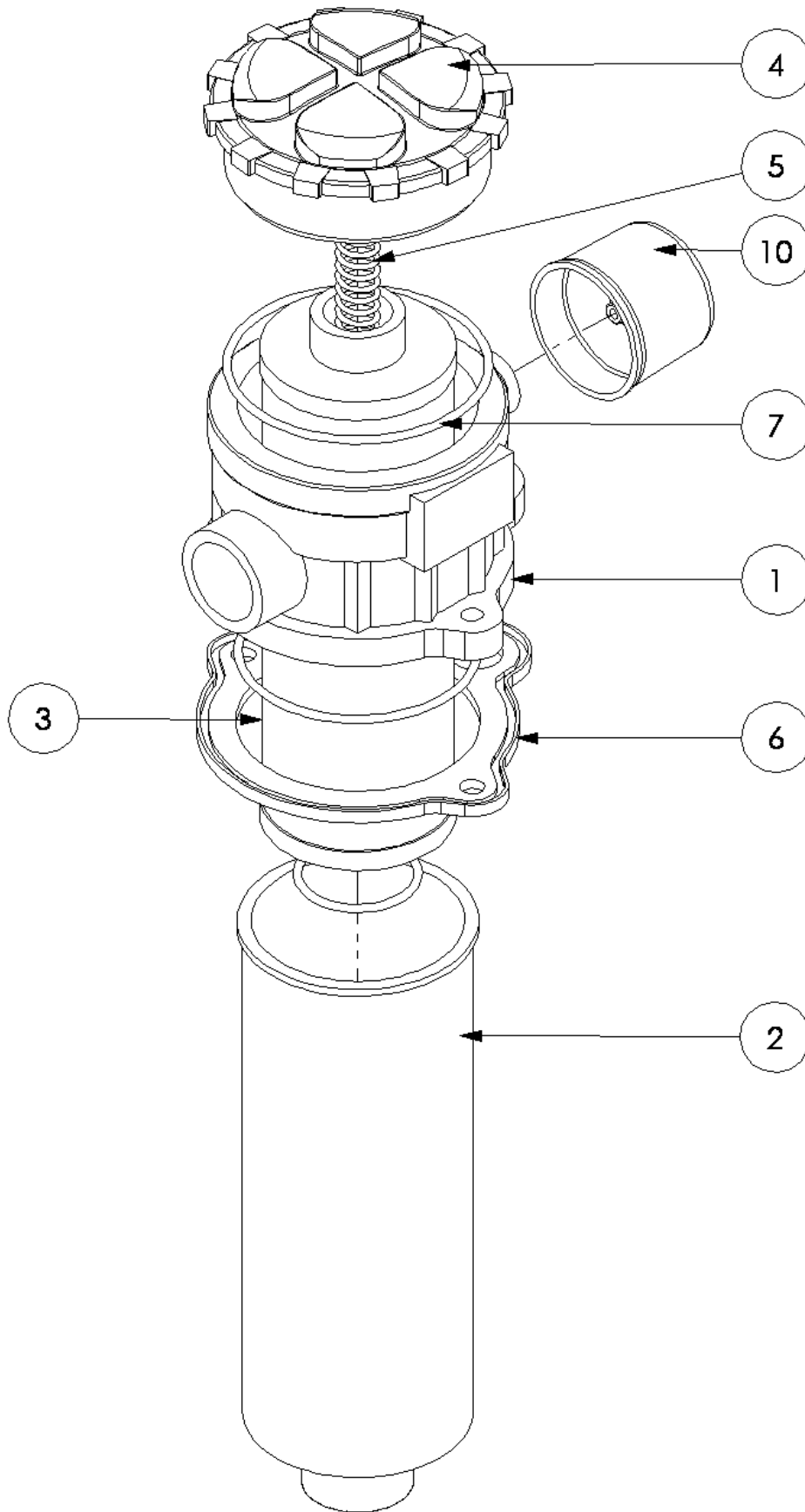
7434502 - TANK MODULE LH



7434502 - TANK MODULE LH

Ref	Part No	Description	Qty
1	41196.12	W/ASSY TANK LH	1
2	41196.55	TANK STRAP	1
3	9313065	SCREW	3
4	9313055	SCREW	1
5	9313054	SCREW	2
6	9313043	SCREW	3
7	9163005	NUT	4
8	8581203	PLUG	1
9	212.013	FILTER ASSY 100 L	1
10	46505.01	HOLDER	1
11	9100103	WASHER	3
12	9100203	WASHER	3
13	9113003	NUT	3
14	08.921.01	FLUID LEVEL GAUGE	1

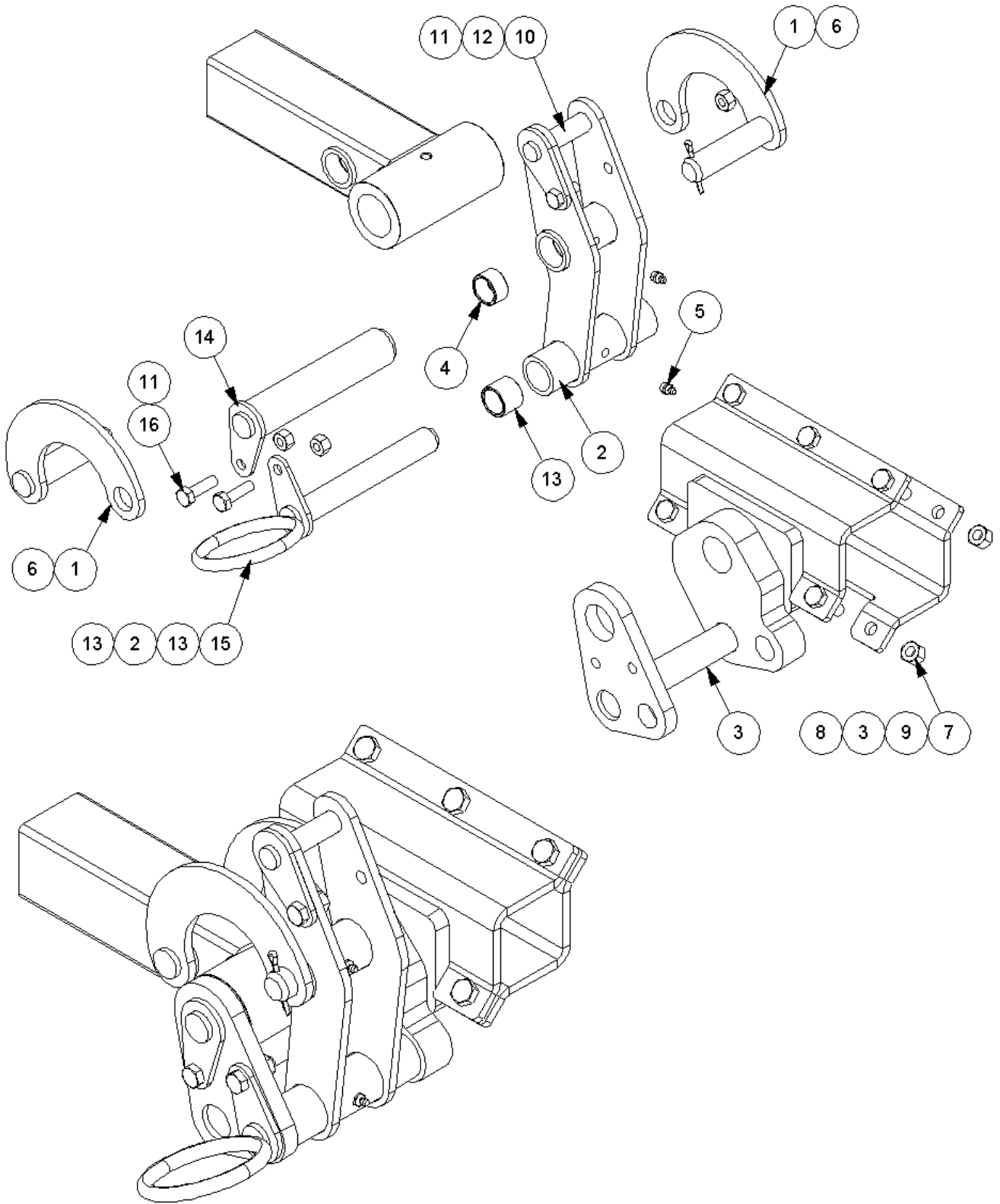
212.013 - FILTER ASSY 100 L



212.013 - FILTER ASSY 100 L

Ref	Part No	Description	Qty
1	212.013.01	FILTER BODY	1
2	212.013.02	HOUSING	1
3	8401095	ELEMENT	1
4	212.013.04	FILLER CAP	1
5	212.013.05	SPRING	1
6	212.013.10	SEAL KIT	1
10		8401096	
BREATHER			1

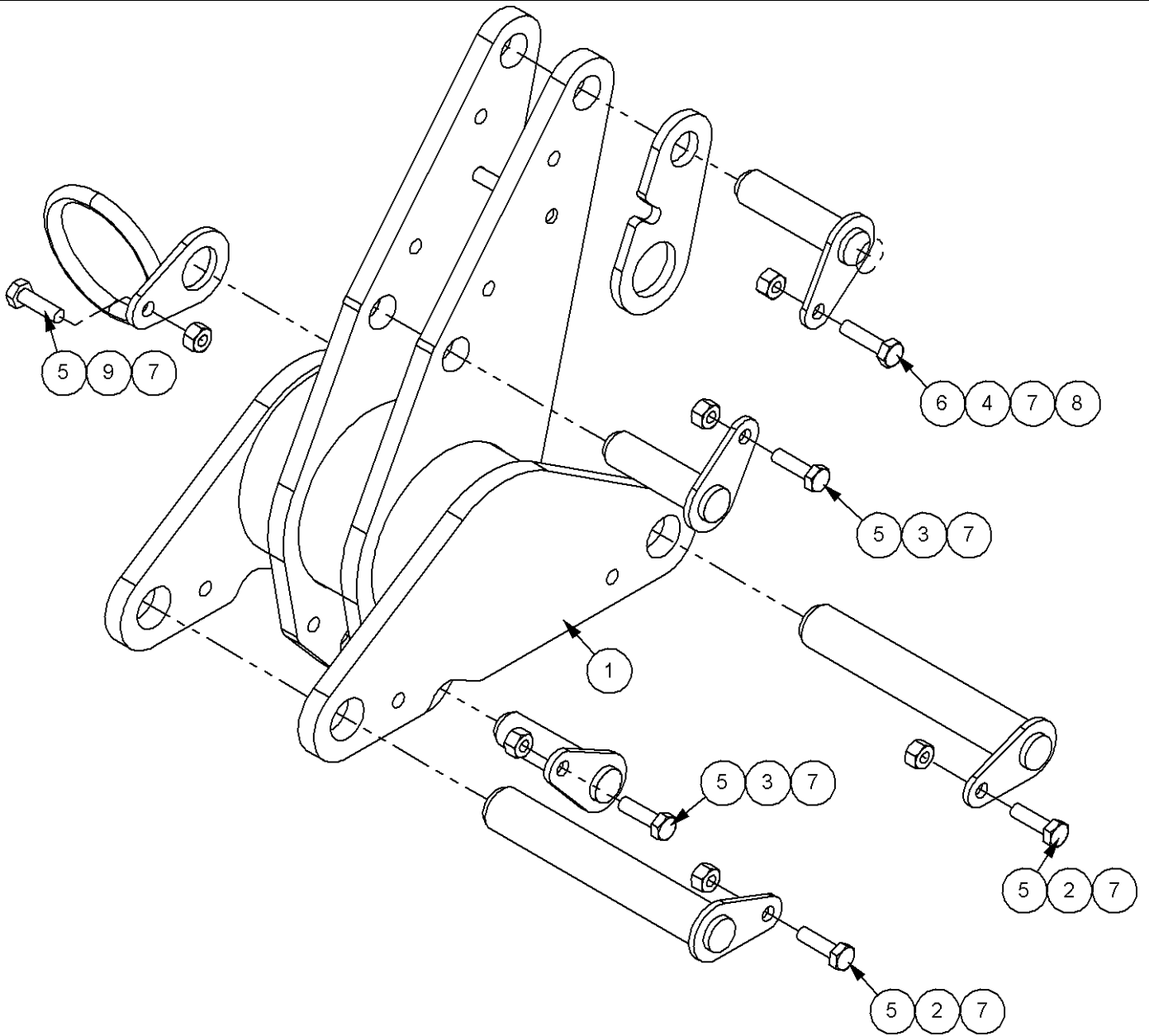
7434511 B - ANGLING GEAR



7434511 B - ANGLING GEAR

Ref	Part No	Description	Qty
1	41206.02	RADIUS ARM TYPE 2	2
2	41207.03	SLAVE LINK W/ASSY	1
3	41261.15	HEAD MTG BRKT	1
4	7214060	BUSH	2
5	0901121	GREASER	2
6	9501406	PIN	2
7	9163006	NUT	5
8	9313086	SCREW	5
9	21873.01	PLATE	1
10	41270.01	PIN	1
11	9163005	NUT	3
12	9313055	SCREW	1
13	41690.01	BUSH	2
14	21971.01	PIN	1
15	21970.02	PIN W/ASSY	1
16	9313075	SCREW	2

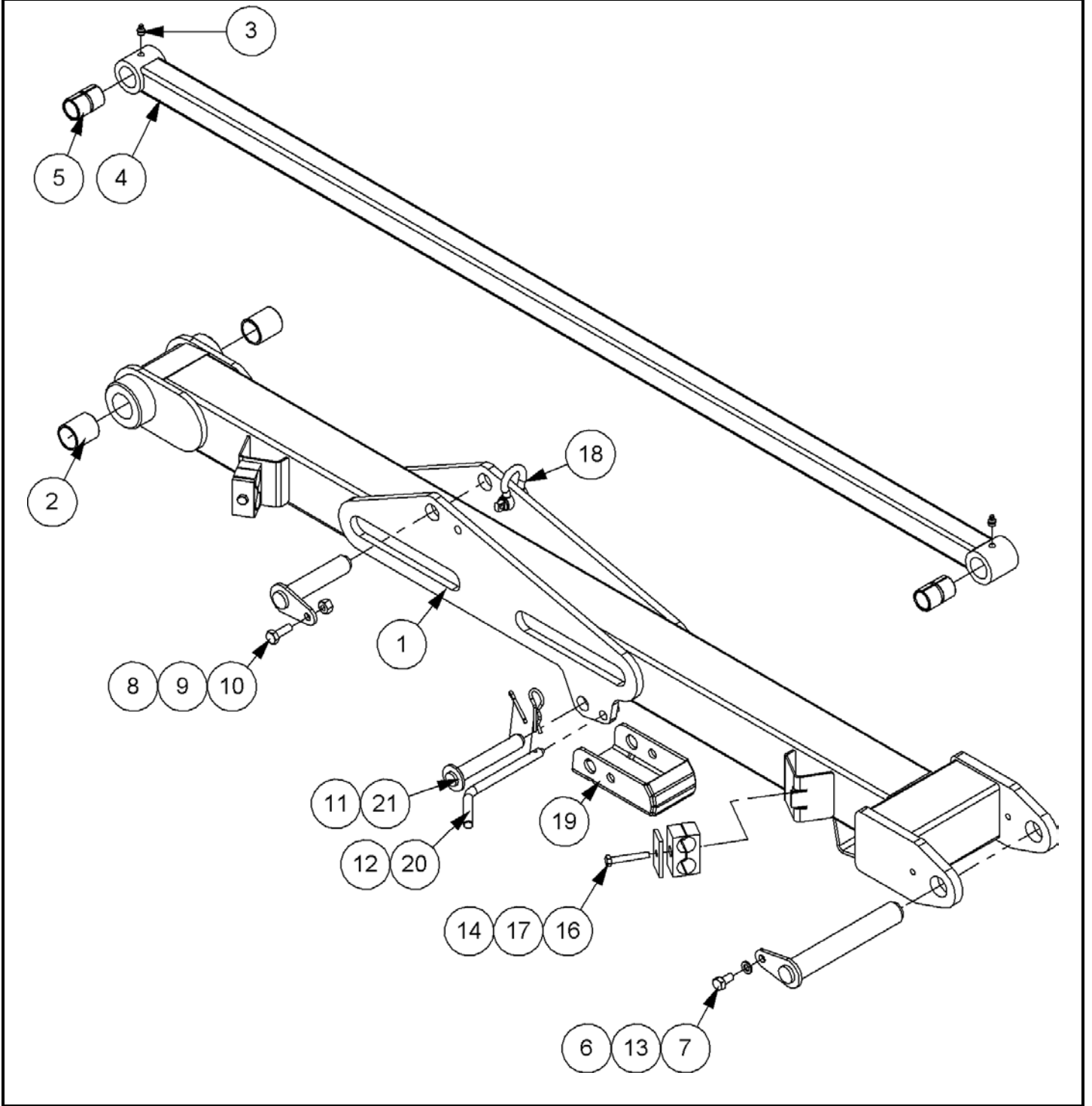
7434514 - ROCKER MODULE



7434514 - ROCKER MODULE

Ref	Part No	Description	Qty
1	41198.08	ROCKER W/ASSY	1
2	41268.02	PIN	2
3	41267.09	PIN W/ASSY	2
4	41267.03	PIN	1
5	9313075	SCREW	5
6	9313085	SCREW	1
7	9163005	NUT	6
8	22667.02	SLINGING EYE	1
9	43158.02	HOSE LOOP W/ASSY	1

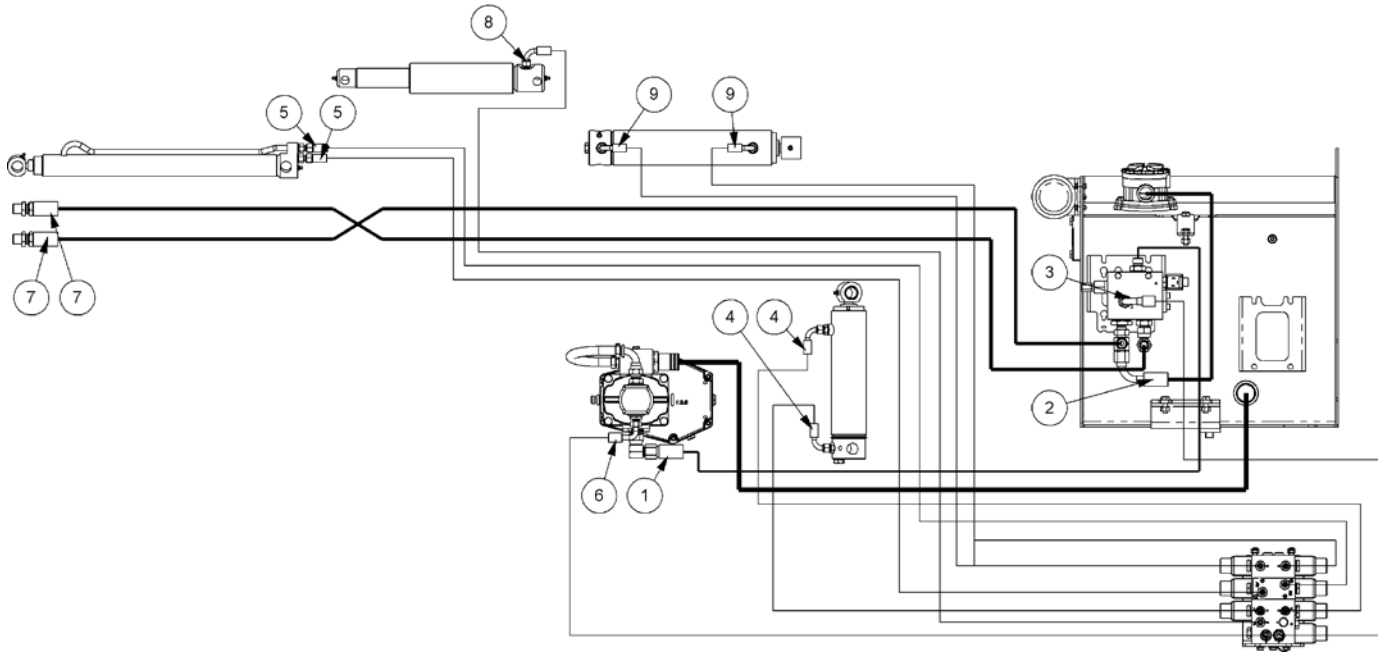
7434520 B - MAIN ARM MODULE



7434520 B - MAIN ARM MODULE

Ref	Part No	Description	Qty
1	41199.12	W/ASSY MAIN ARM	1
2	21149.01	BUSH	2
3	0901121	GREASER	3
4	22887.02	TENSION LINK W/ASSY	1
5	7105050	BUSH	2
6	41268.02	PIN	1
7	9313045	SCREW	1
8	9163005	NUT	1
9	41691.04	PIN	1
10	9313065	SCREW	1
11	9501326	PIN	1
12	0431105	PIN	1
13	9100205	WASHER	1
14	06.430.09	CLAMP (2 PCS)	2
15	9163004	NUT	2
16	9213114	BOLT	2
17	06.418.03	PLATE	2
18	22668.02	SLINGING SHACKLE	1
19	41199.60	TRANSPORT PROP	1
20	45297.02	PIN	1
21	43114.02	PROP PIN W/ASSY	1

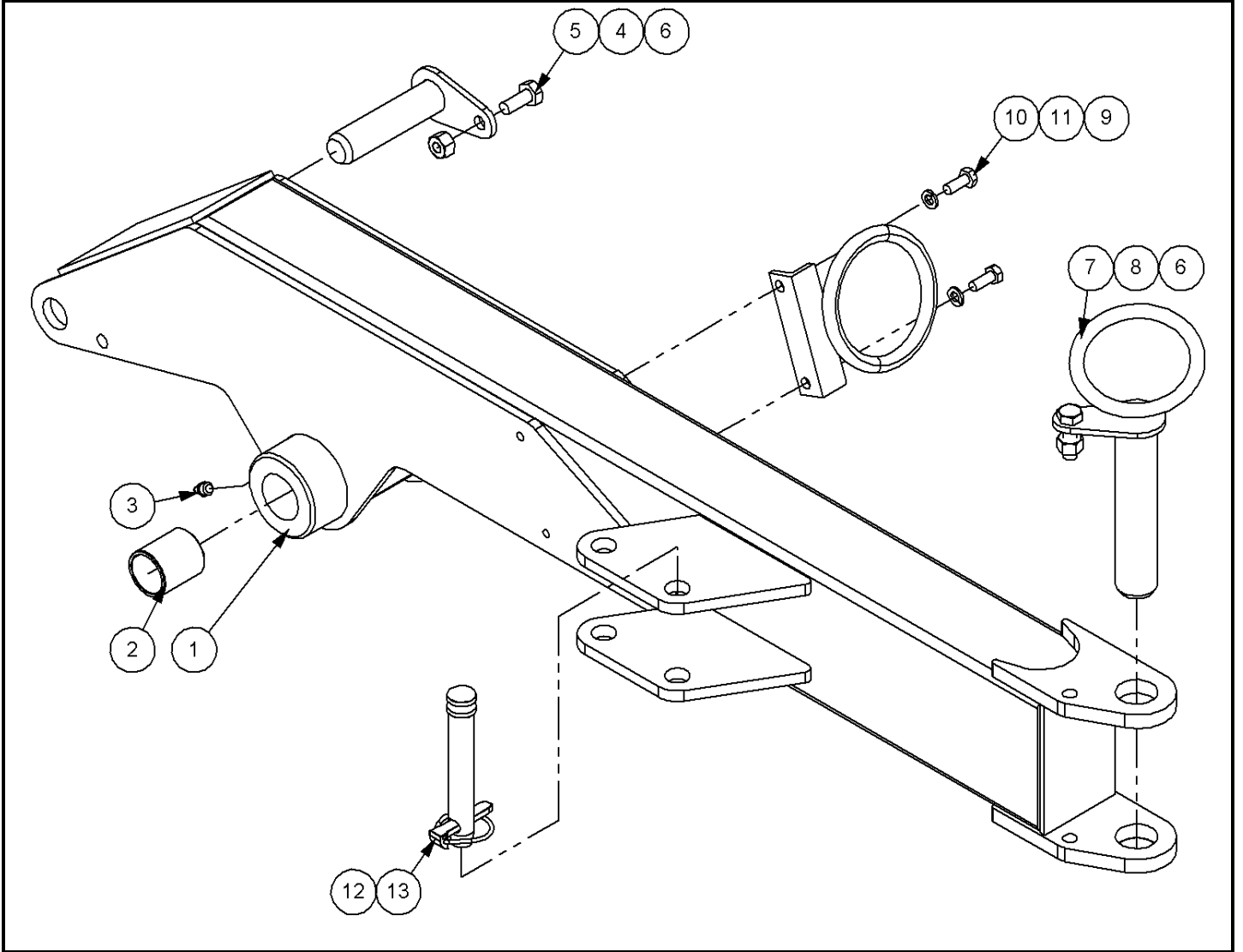
743452209 B - HOSE KIT



743452209 B - HOSE KIT

Ref	Part No	Description	Qty
1	10.008.22	HOSE	1
2	10.008.20	HOSE	1
3	10.006.12	HOSE	1
4	10.002.19	HOSE	2
5	10.001.52	HOSE	2
6	10.004.14	HOSE	1
7	10.081.52	5/8" BSP HOSE	2
8	10.002.52	HOSE	1
9	10.002.31	HOSE	2

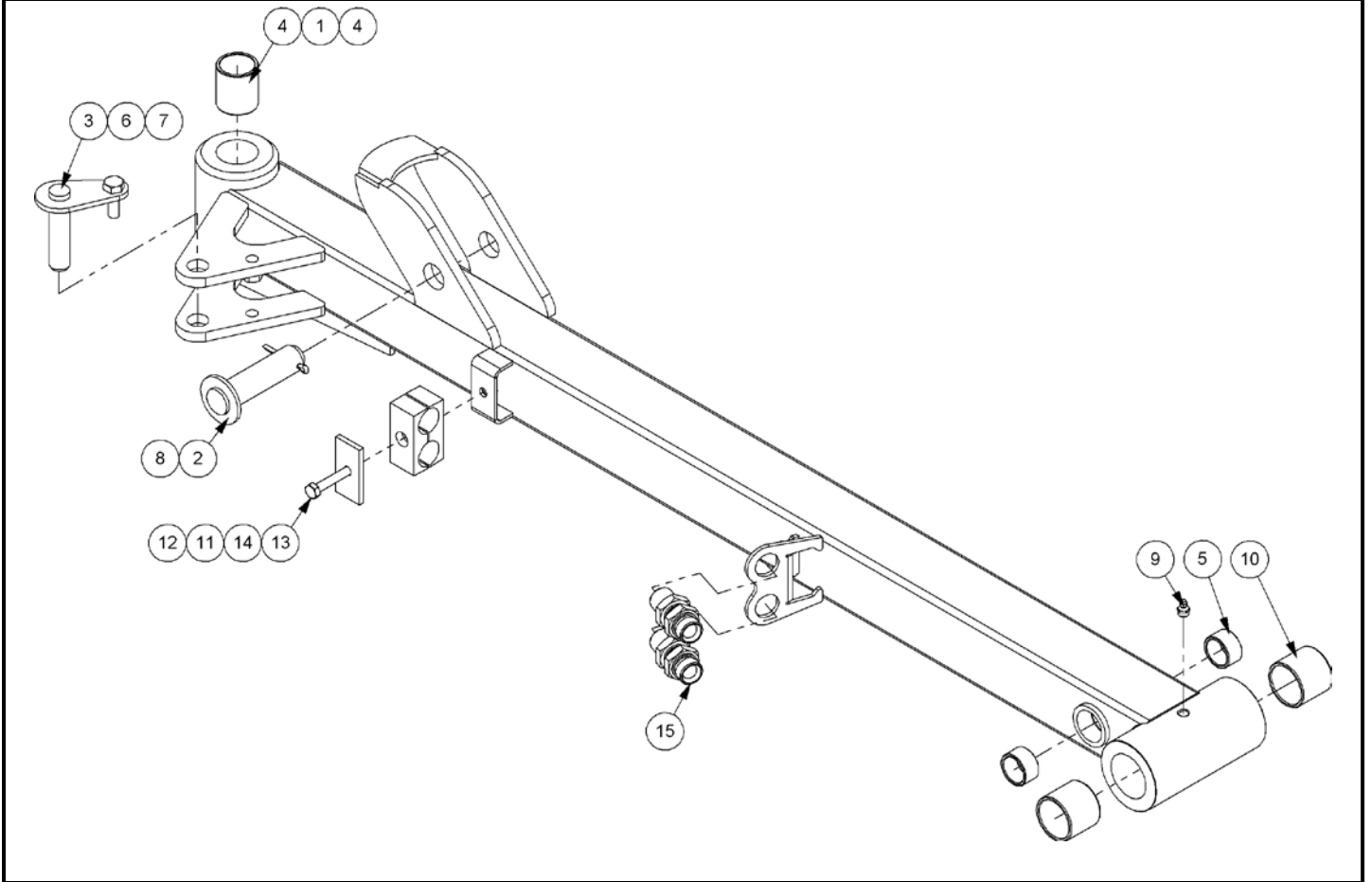
7434529 - DIPPER MODULE



7434529 - DIPPER MODULE

Ref	Part No	Description	Qty
1	41201.10	DIPPER UPPER RH	1
2	21149.01	BUSH	2
3	0901121	GREASER	1
4	41267.05	PIN	1
5	9313055	SCREW	1
6	9163005	NUT	2
7	41269.01	PIN	1
8	9313075	SCREW	1
9	21844.02	HOSE LOOP	1
10	9313044	SCREW	2
11	9100204	WASHER	2
12	6310202	CAT 1 TOP LINK PIN	1
13	0431217	PIN	1

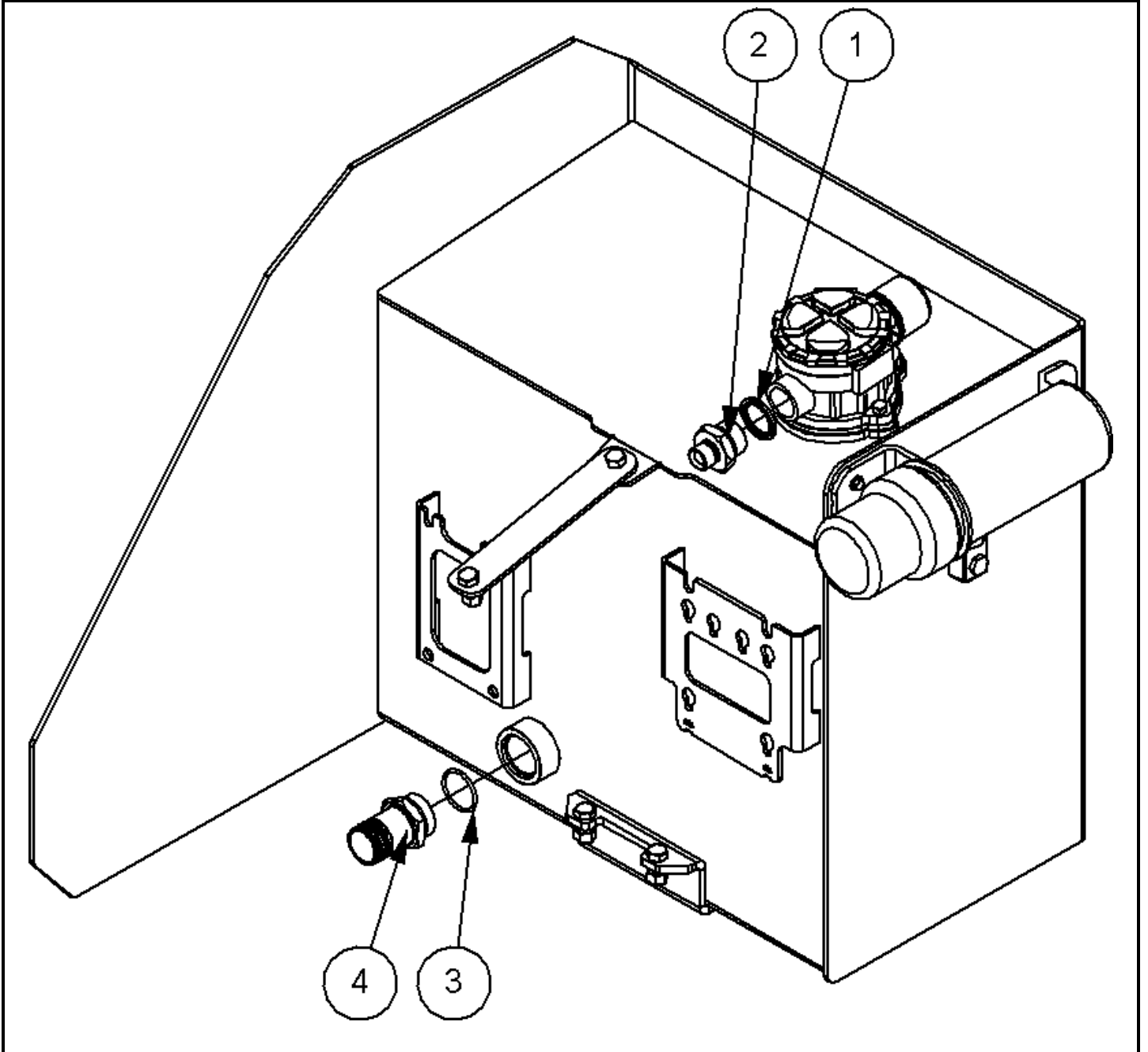
7434533 - MODULE DIPPER RH



7434533 - MODULE DIPPER RH

Ref	Part No	Description	Qty
1	41202.06	ARM -RH	1
2	7191041	PIN	1
3	41270.01	PIN	1
4	21149.01	BUSH	2
5	7214060	BUSH	2
6	9313065	SCREW	1
7	9163005	NUT	1
8	9501406	PIN	1
9	0901121	GREASER	3
10	7213023	BUSH	2
11	06.430.09	CLAMP (2 PCS)	1
12	9163004	NUT	1
13	9213114	BOLT	1
14	06.418.03	PLATE	1

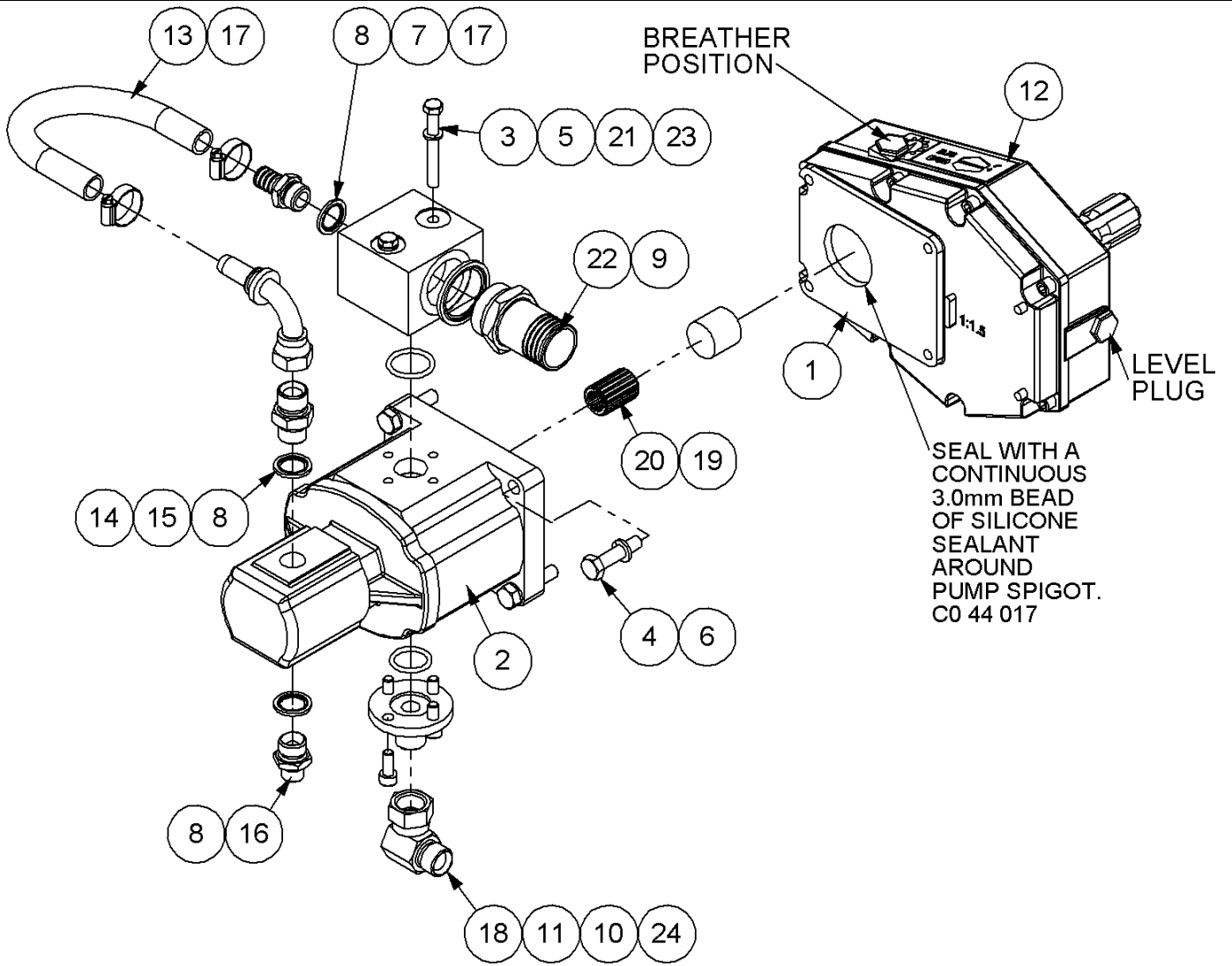
7434540 - TANK FITTINGS



7434540 - TANK FITTINGS

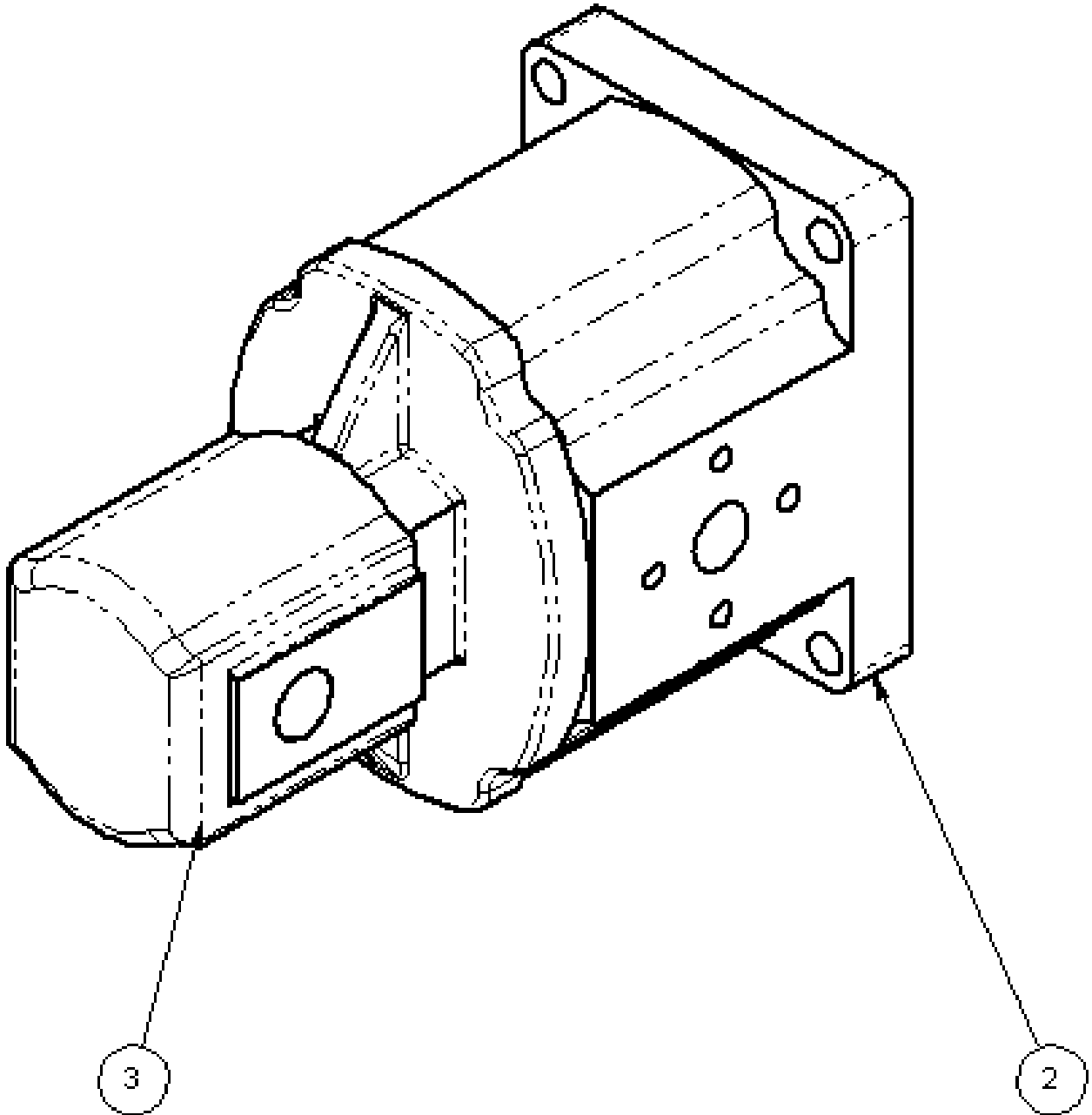
Ref	Part No	Description	Qty
1	8650108	SEAL	1
2	8581378	ADAPTOR	1
3	8700784	"O" RING	1
4	8581260	ADAPTOR	1

7434543 - PUMP AND GEARBOX ASS



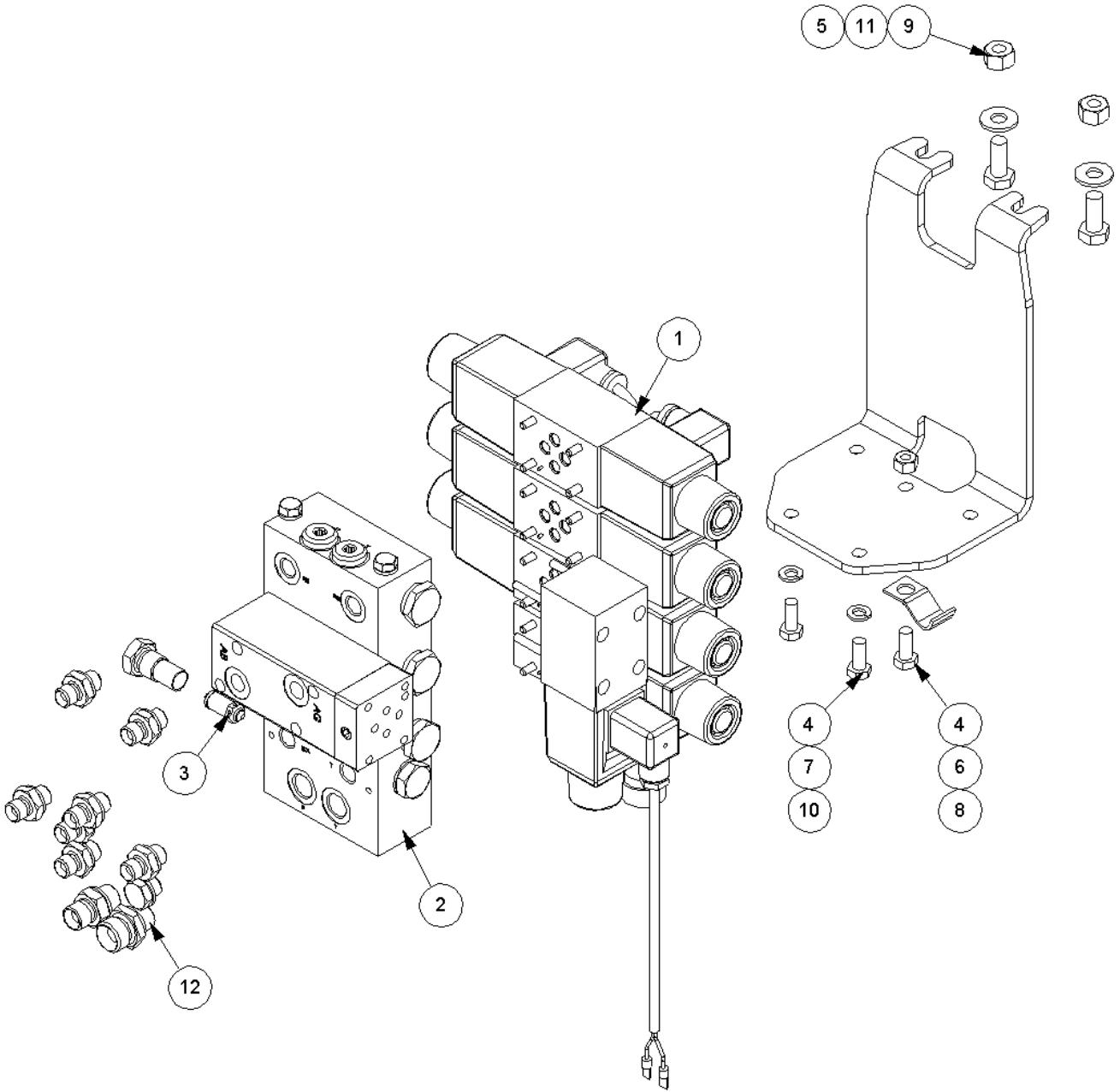
7434543 - PUMP AND GEARBOX ASS

Ref	Part No	Description	Qty
1	8013570	GEARBOX	1
2	8201466	HYD PUMP	1
3	9213144	BOLT	2
4	9213095	BOLT	4
5	9100204	WASHER	2
6	9100205	WASHER	4
7	8002059	CONNECTION	1
8	8650104	SEAL	3
9	8650109	SEAL	1
10	8013083	CONNECTION	1
11	9300147	SCREW	4
12	1290030	DECAL	1
13	8501099	HOSE	1
14	8581173	ELBOW	1
15	G3812120	ADAPTOR	1
16	6000112	REDUCER	1
17	0904204	CLIP	2
18	8581338	ADAPTOR	1
19	42415.02	SPACER	1
20	8013097	ADAPTOR	1
21	8581577	BLOCK	1
22	8581260	ADAPTOR	1
23	8600122	"O" RING	1
24	8600119	"O" RING	1



8201466 - HYD PUMP

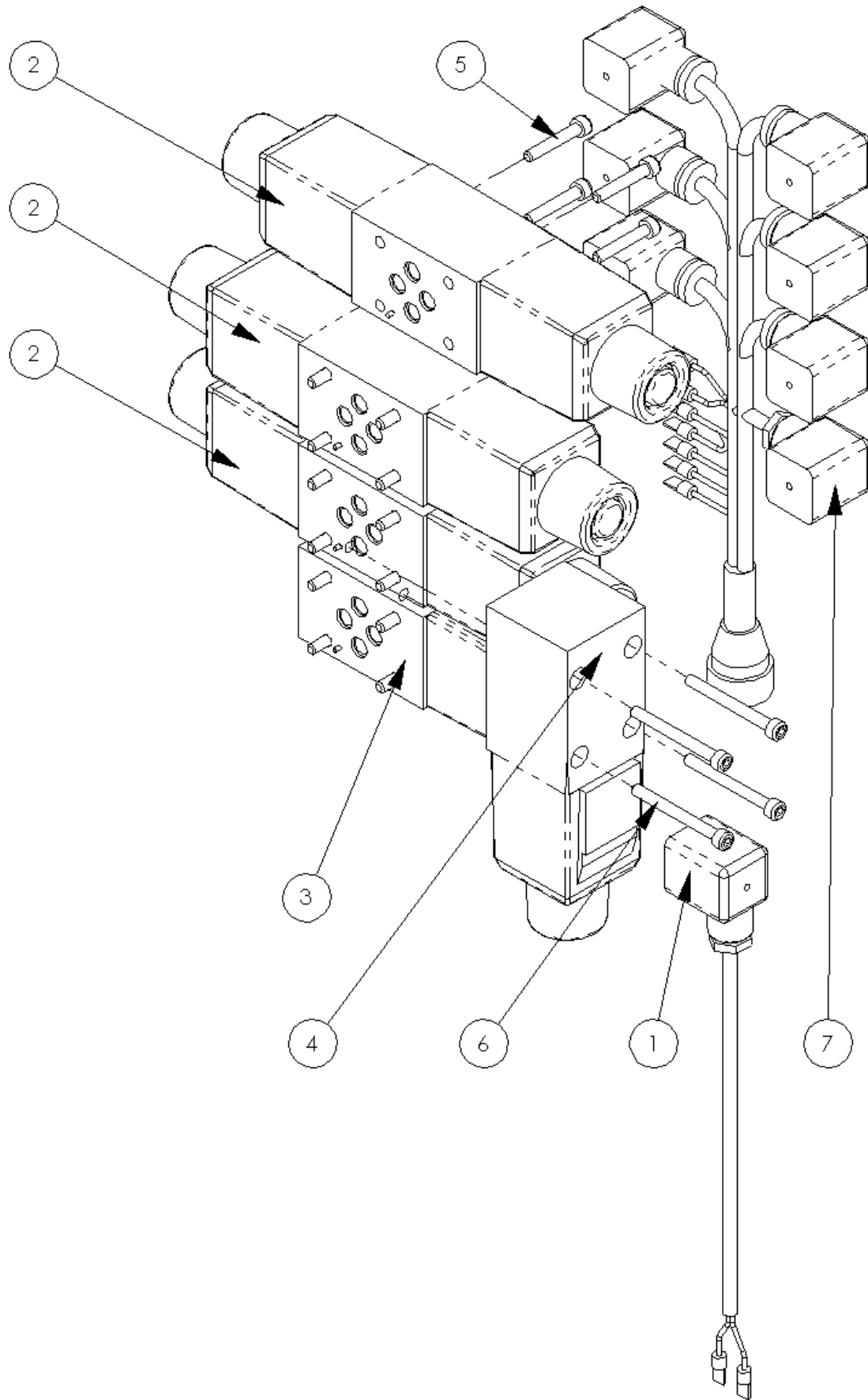
Ref	Part No	Description	Qty
1	8699231	SEAL KIT	0
2	8201684	HYD PUMP F-HALF	1
3	8201677	PUMP	1



7434557 - ACV ASSY

Ref	Part No	Description	Qty
1	22525.08	CONTROL SOLENOID KIT	1
2	22523.20	MANIFOLD ASSY	1
3	8130029	VALVE	1
4	9313044	SCREW	5
5	9313055	SCREW	2
6	7109151	CLAMP	1
7	9100204	WASHER	4
8	9163004	NUT	1
9	9163005	NUT	2
10	41196.57	VALVE MTG PLATE	1
11	9100105	WASHER	2
12	22524.48	ADAPTOR KIT	1

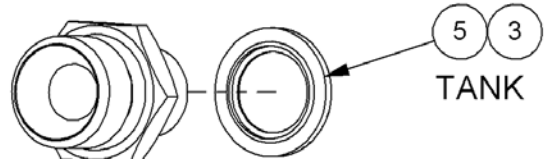
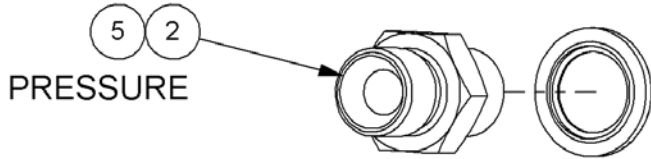
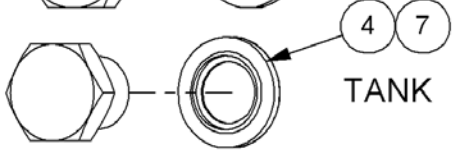
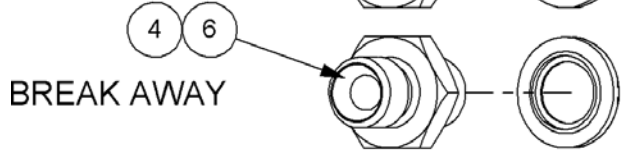
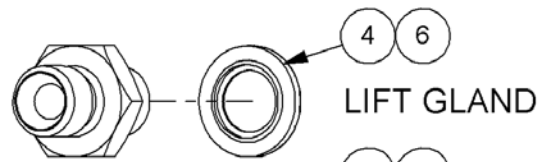
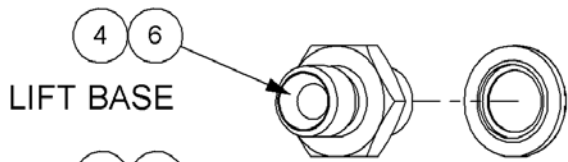
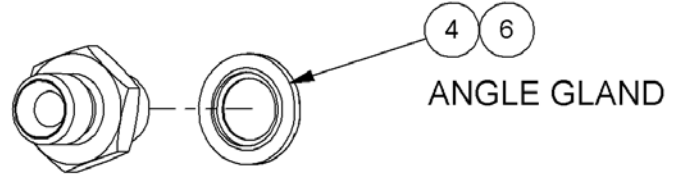
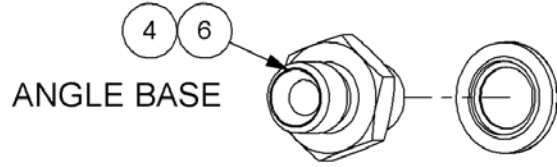
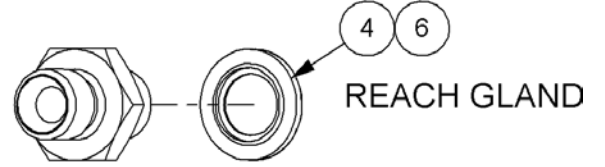
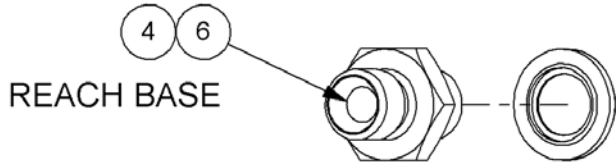
22525.08 B - CONTROL SOLENOID KIT



22525.08 B - CONTROL SOLENOID KIT

Ref	Part No	Description	Qty
1	8402338	LOOM	1
2	41784.48	VALVE	3
3	8130456	VALVE	1
4	8130457	VALVE	1
5	9243062	SCREW	16
6	9243102	SCREW	4
7	41844.02	LOOM	1

22524.48 B - ADAPTOR KIT



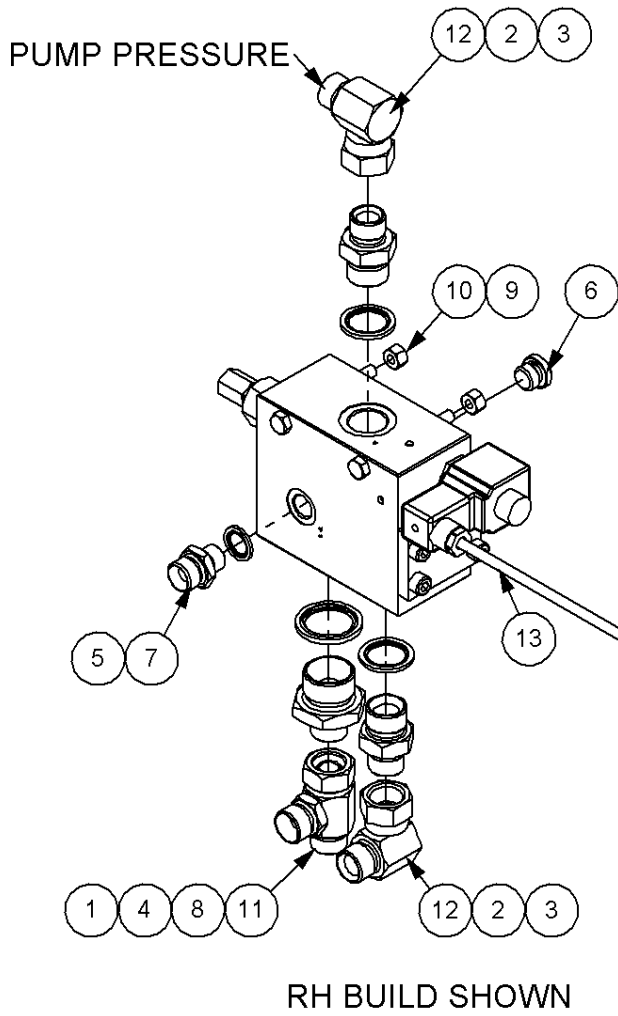
22524.48 B - ADAPTOR KIT

Ref	Part No	Description	Qty
1	6000113	UNION	1
2	6000112	REDUCER	1
3	8650102	SEAL	8
4	8650103	SEAL	2
5	8581169	UNION	7
7	520378	PLUG	1

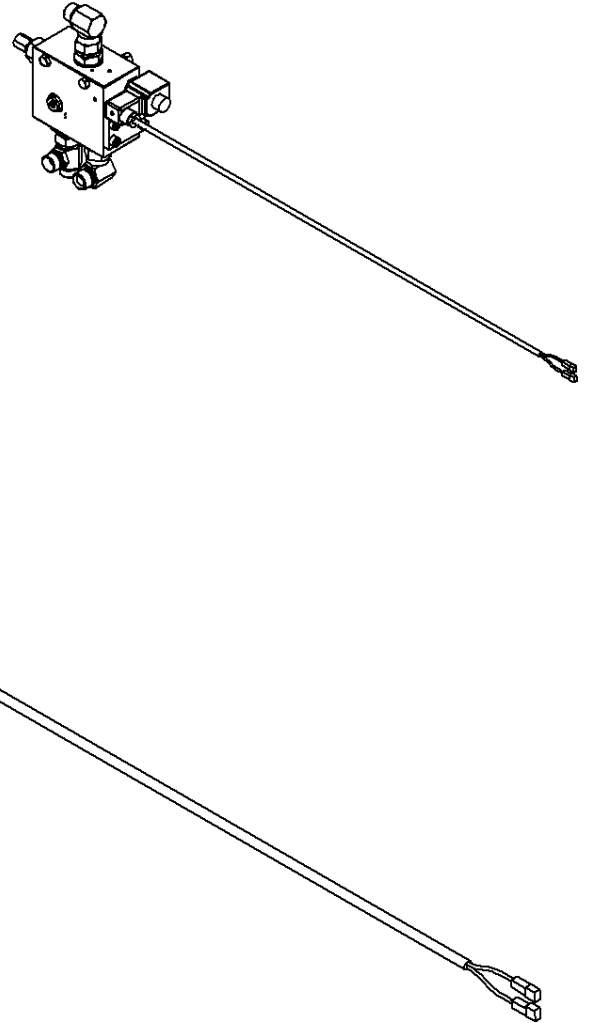
7434568 B - RCV ON/OFF

FOR LH BUILDS SWAP POSITIONS
OF ITEMS 6 WITH ITEMS 5 & 7.

LH BUILD

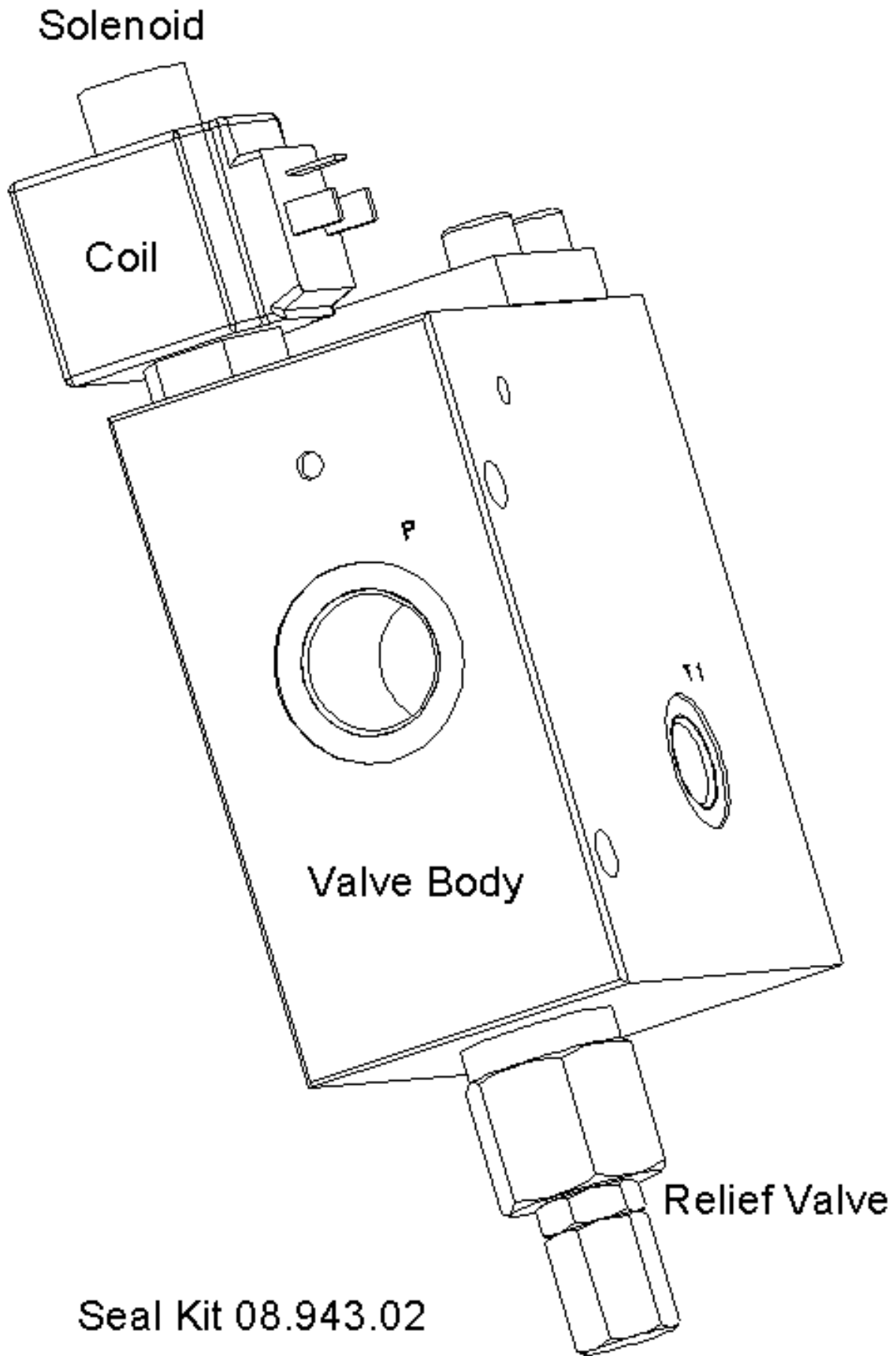


RH BUILD SHOWN



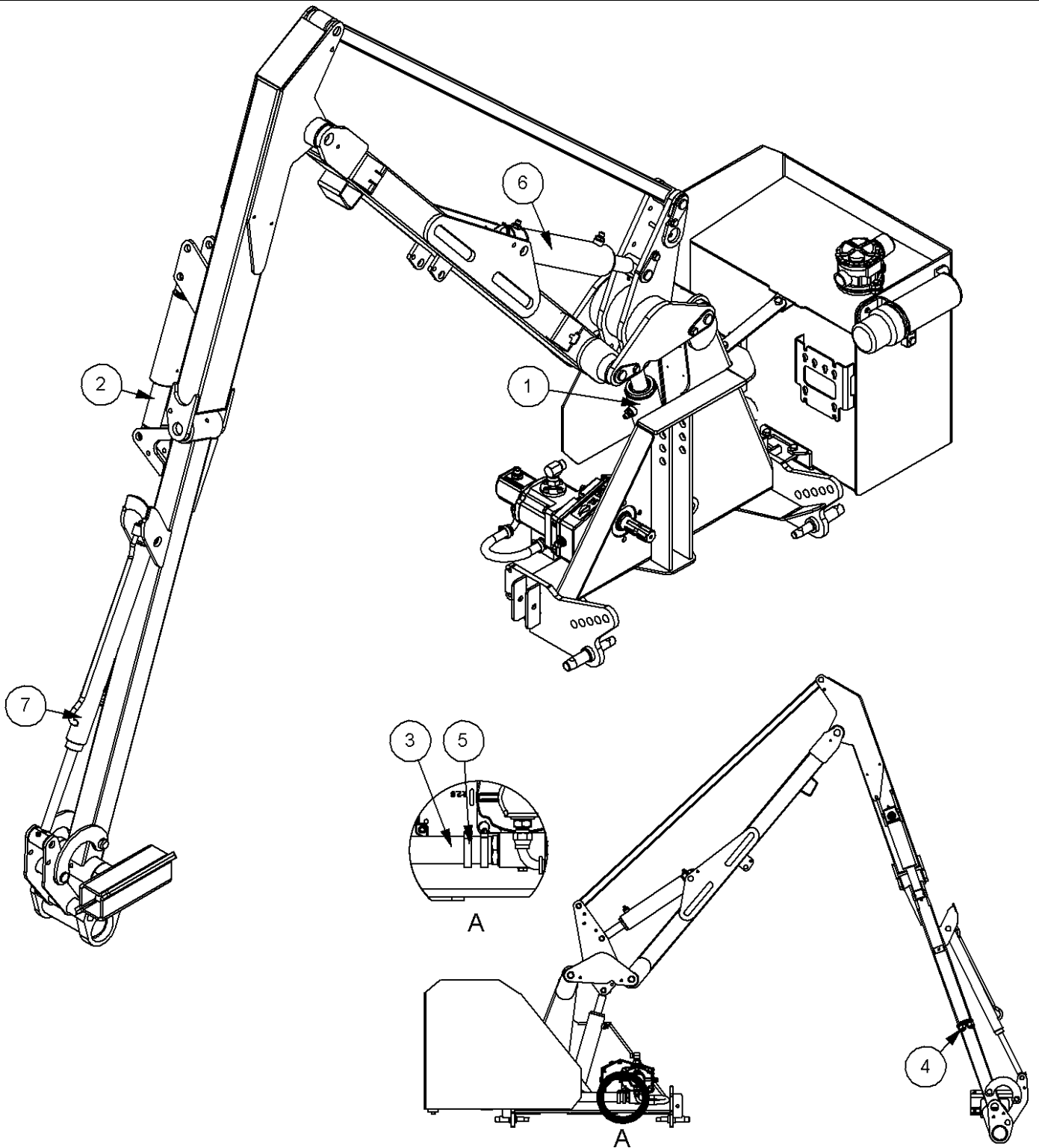
7434568 B - RCV ON/OFF

Ref	Part No	Description	Qty
1	08.943.01	VALVE	1
2	8581270	ADAPTOR	2
3	8650106	SEAL	2
4	8650108	SEAL	1
5	8650103	SEAL	1
6	8581436	PLUG	1
7	6000112	REDUCER	1
8	8581378	ADAPTOR	1
9	9213164	BOLT	2
10	9163004	NUT	2
11	8581460	ADAPTOR	1
12	8581338	ADAPTOR	2
13	43177.29	LOOM	1



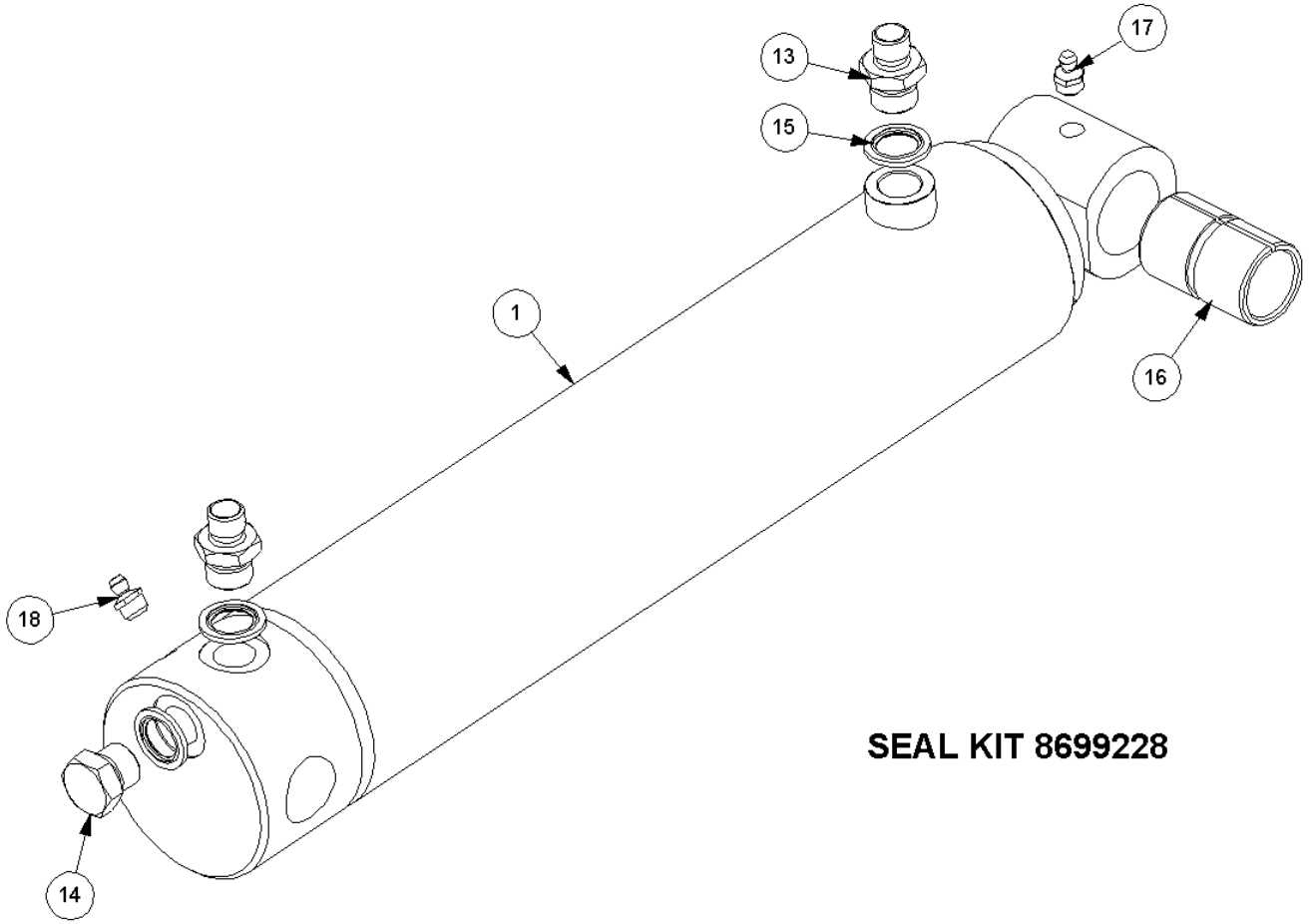
08.943.01 - VALVE

Ref	Part No	Description	Qty
0	08.943.02	SEAL KIT	1
0	08.943.20	BODY ASSY	1
0	08.943.21	RELIEF VALVE	1
0	08.943.22	COIL	1
0	08.943.23	SOLENOID	1



7434574 - HYD INST

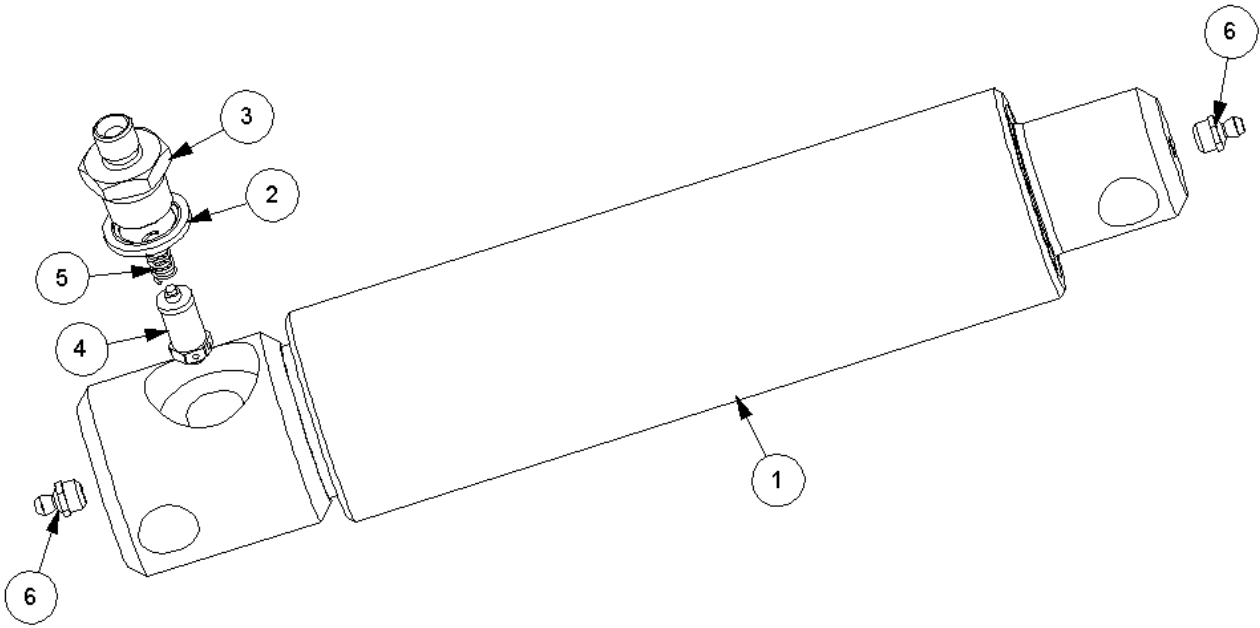
Ref	Part No	Description	Qty
1	41014.12	RAM	1
2	41322.02	RAM	1
3	8501000	HOSE	635
4	G3812119	CAP	2
5	0904107	CLIP	4
6	41014.13	RAM	1
7	7191072	RAM	1
8	7196045	HOSE TIE	15



SEAL KIT 8699228

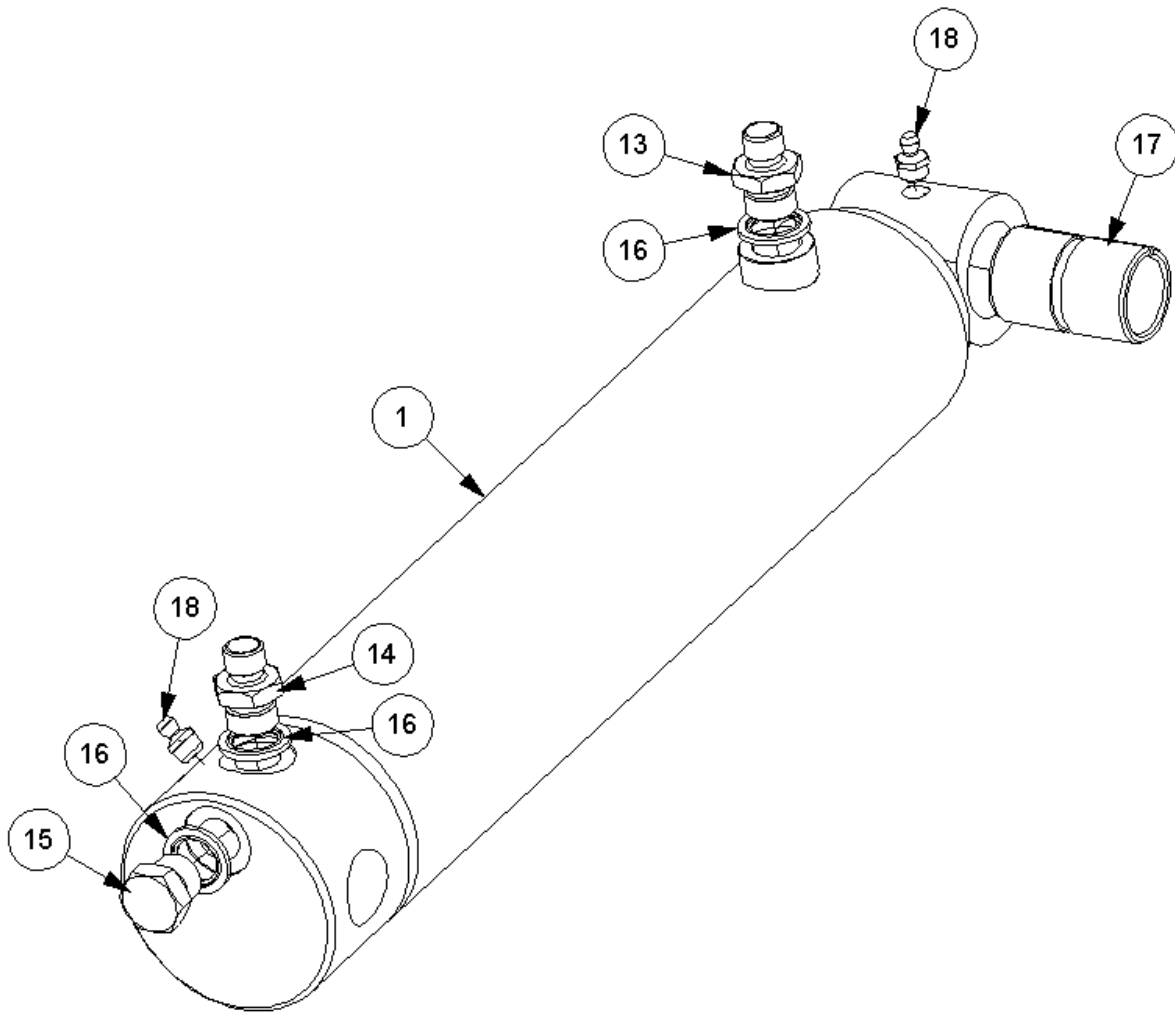
41014.12 C - RAM

Ref	Part No	Description	Qty
1	41014.12AP	LIFT/REACH RAM	1
1	41014.12P	RAM -PAINTED	0
13	8130048	RESTRICTOR	2
14	8003001	PLUG	1
15	8650103	SEAL	3
16	7105050	BUSH	1
17	0901121	GREASER	1
18	0901124	GREASER	1



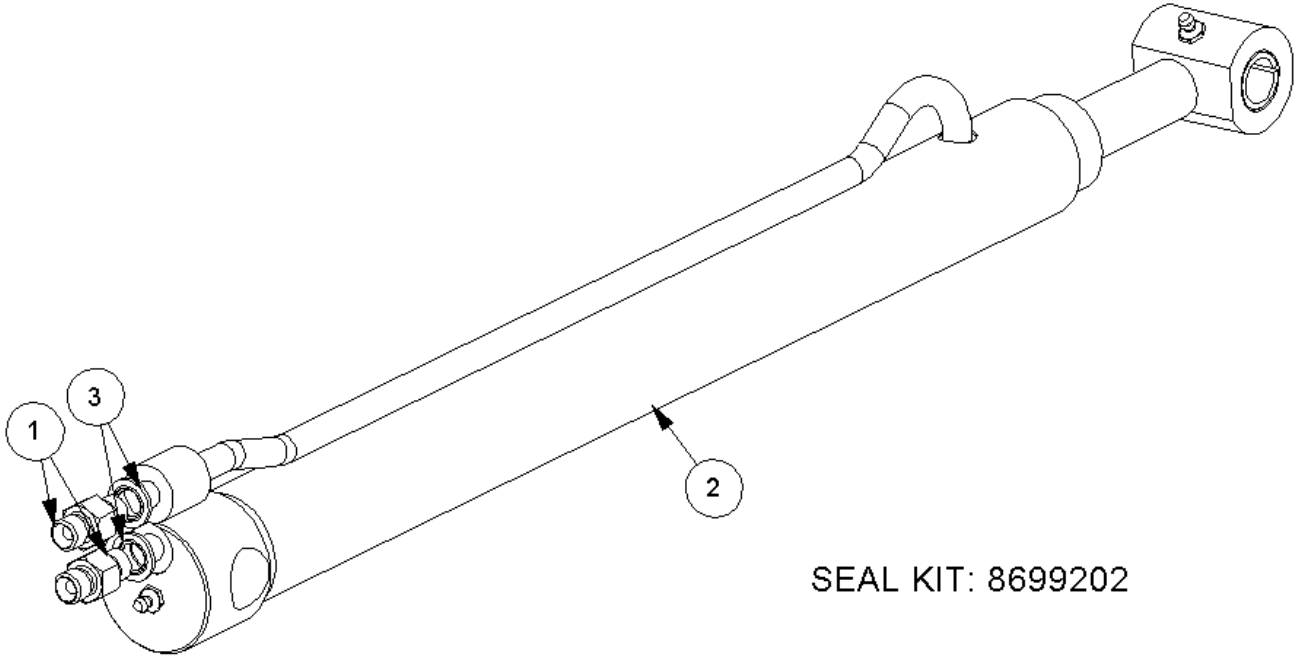
41322.02 - RAM

Ref	Part No	Description	Qty
1	7198292AP	RAM	1
1	7198292P	RAM -PAINTED	0
2	8650104	SEAL	1
3	8130083	BODY	1
4	8130189	VALVE	1
5	8116011	SPRING	1
6	0901121	GREASER	2



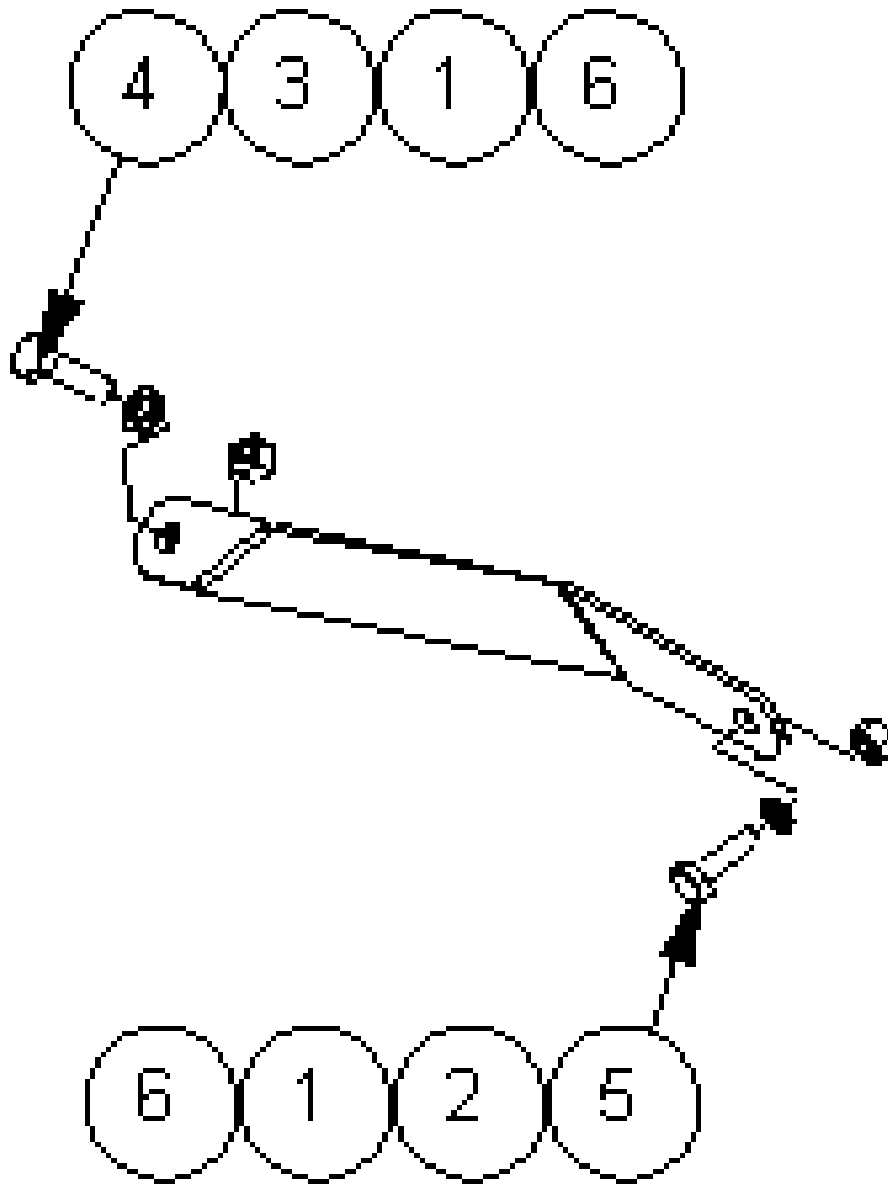
41014.13 C - RAM

Ref	Part No	Description	Qty
1	41014.12AP	LIFT/REACH RAM	1
1	41014.12P	RAM -PAINTED	0
13	8130066	RESTRICTOR	1
14	8130046	RESTRICTOR	1
15	8003001	PLUG	1
16	8650103	SEAL	3
17	7105050	BUSH	1
18	0901121	GREASER	2



7191072 B - RAM

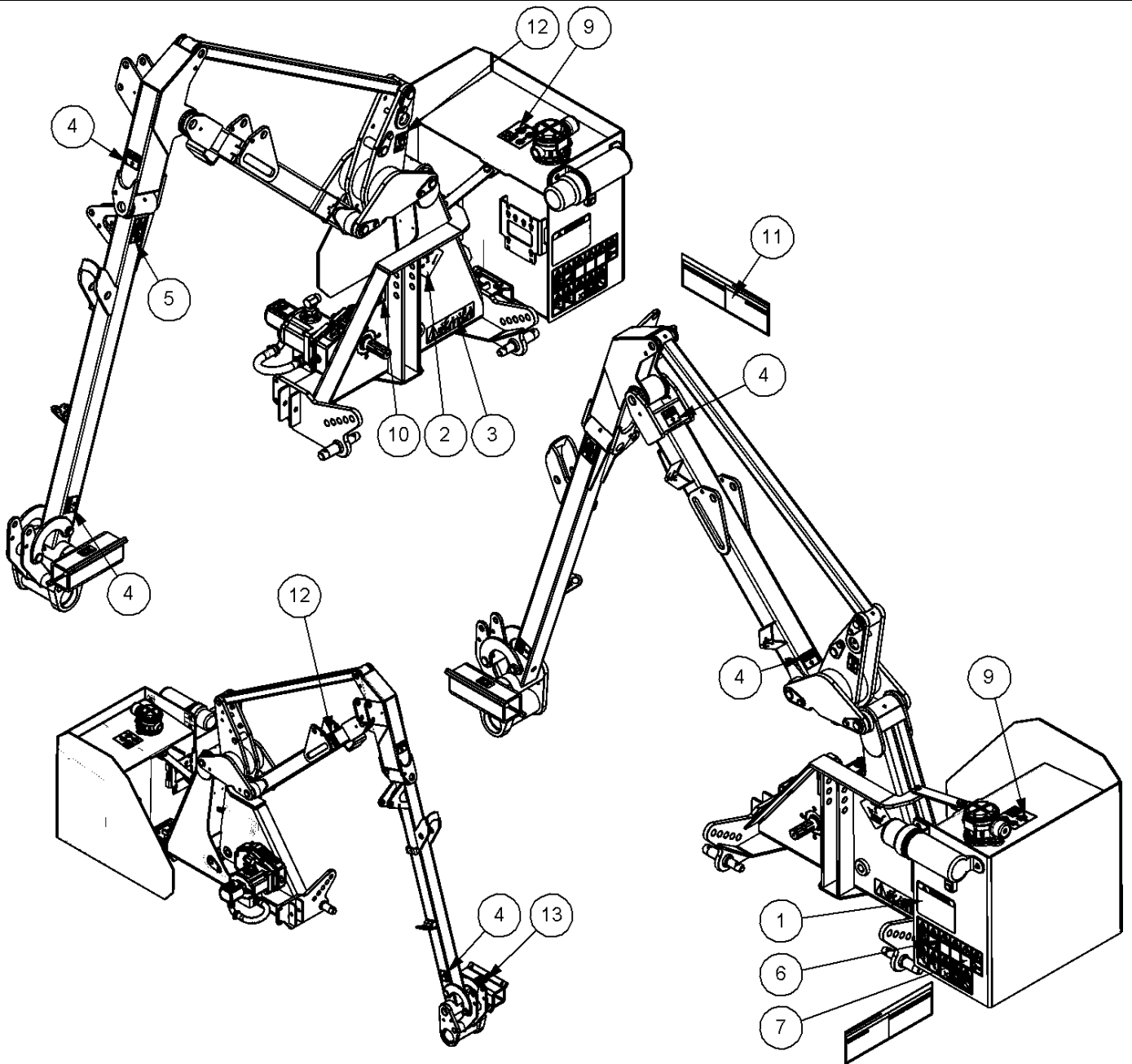
Ref	Part No	Description	Qty
1	7191295	RAM	1
1	8130037	RESTRICTOR	2
3	8650102	SEAL	2
4	8699202	SEAL KIT	0



7434576 - PACKING KIT

Ref	Part No	Description	Qty
1	22852.53	PACKING STRAP	1
2	9100205	WASHER	1
3	9100206	WASHER	1
4	9313086	SCREW	1
5	9313075	SCREW	1
6	9163005	NUT	2

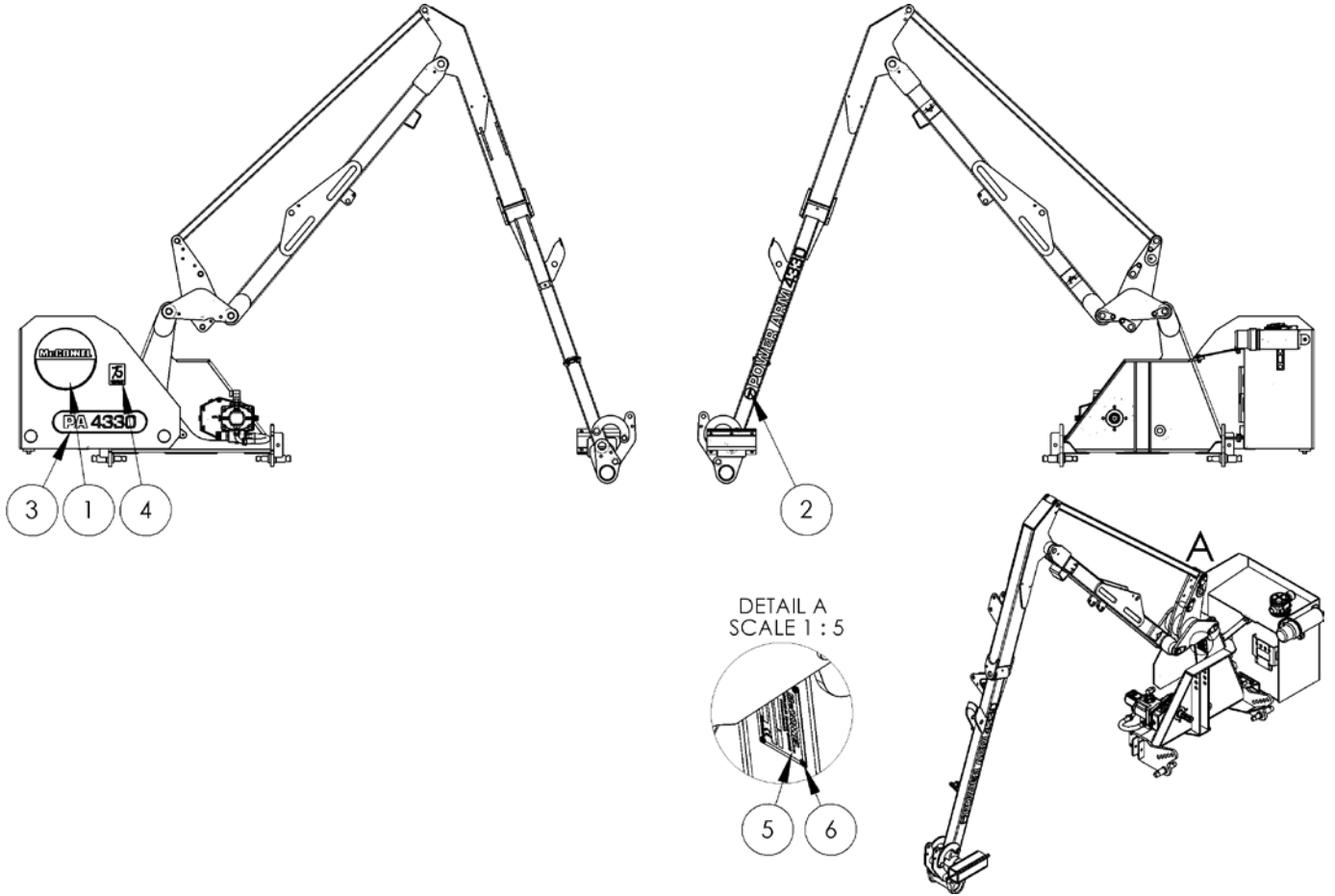
7434582 - BASIC STICKER KIT



7434582 - BASIC STICKER KIT

Ref	Part No	Description	Qty
1	00756494	DECAL	1
2	7105130	DECAL	1
3	7135295	DECAL	1
4	02962764	DECAL	6
5	1290746	DECAL	1
6	09.821.35	DECAL	1
7	09.821.28	DECAL	1
8	09.821.32	DECAL	1
9	1290774	DECAL	1
10	09.811.02	DECAL	1
11	1290352	DECAL	1
12	09.843.05	DECAL	2
13	21917.06	DECAL	1

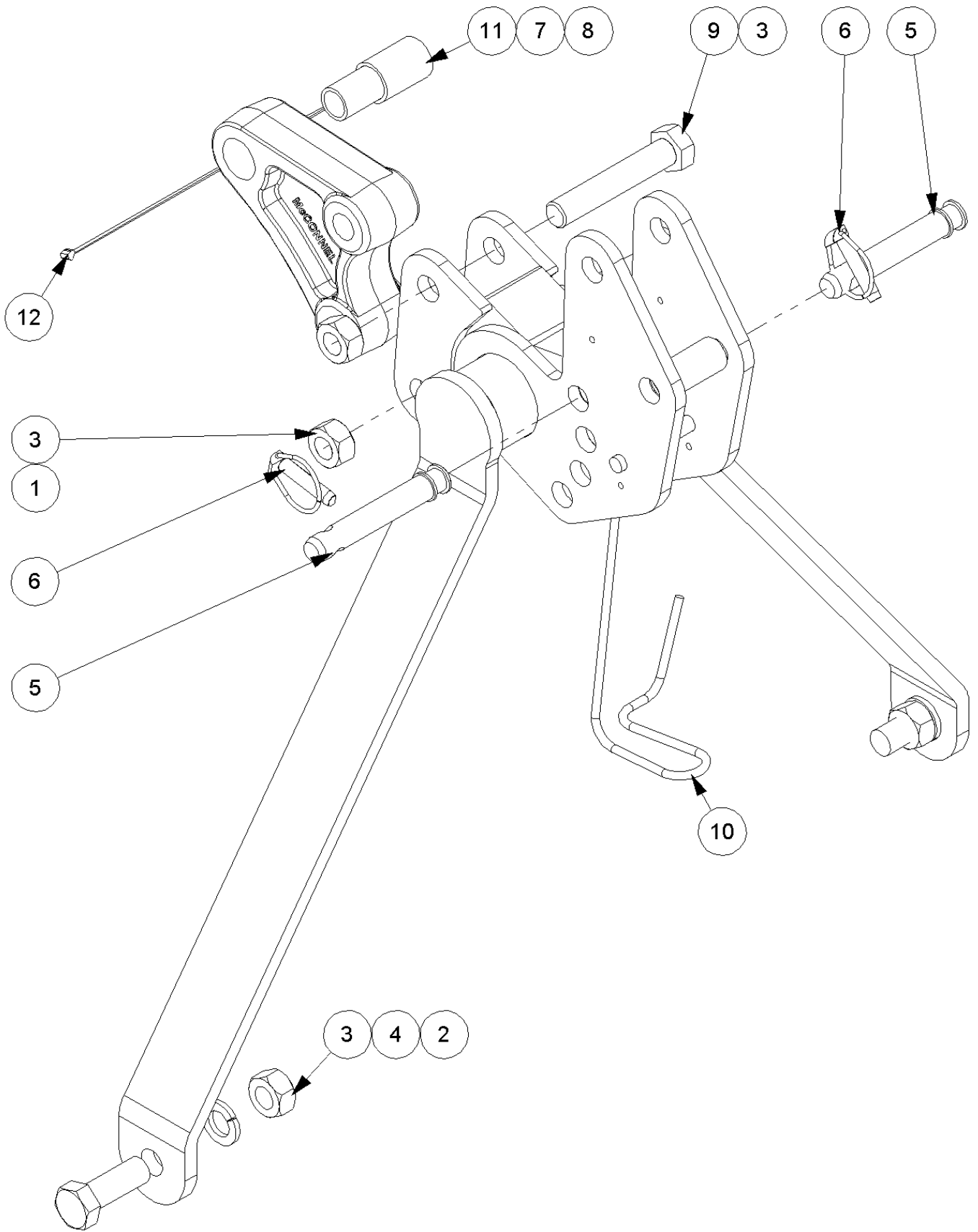
7434585 - PA4330 DECAL KIT



7434585 - PA4330 DECAL KIT

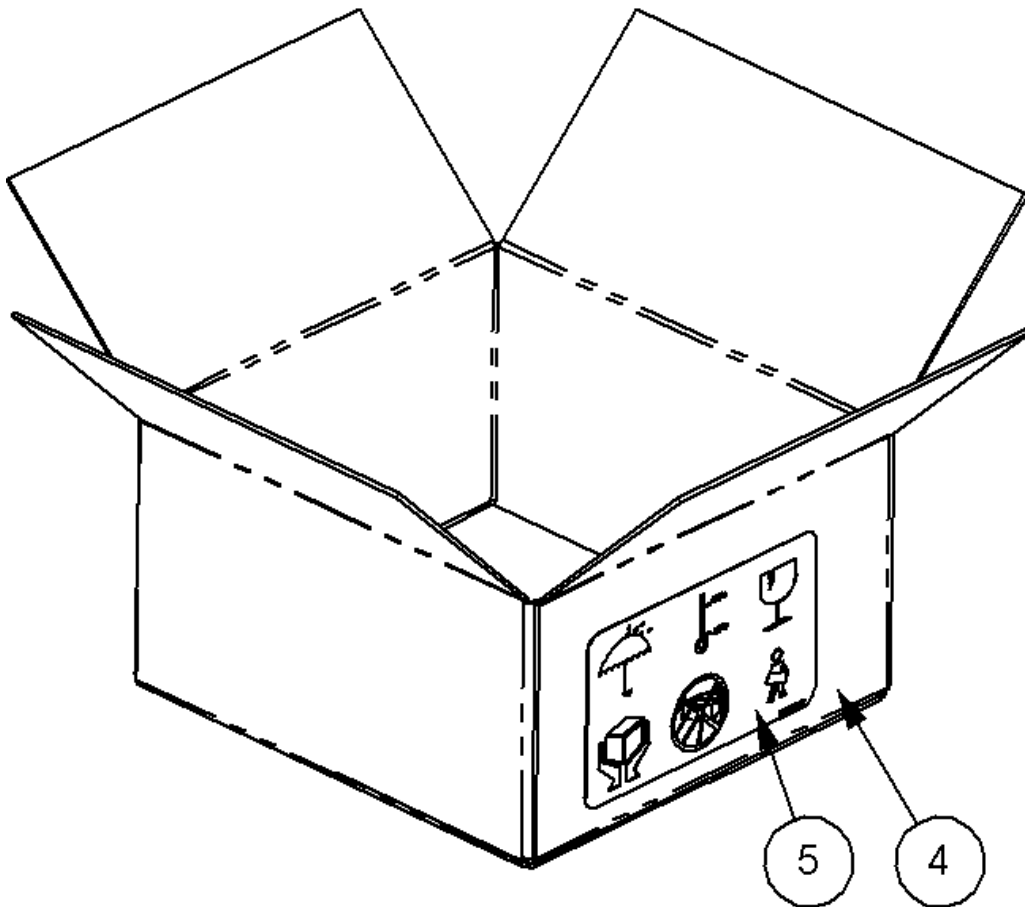
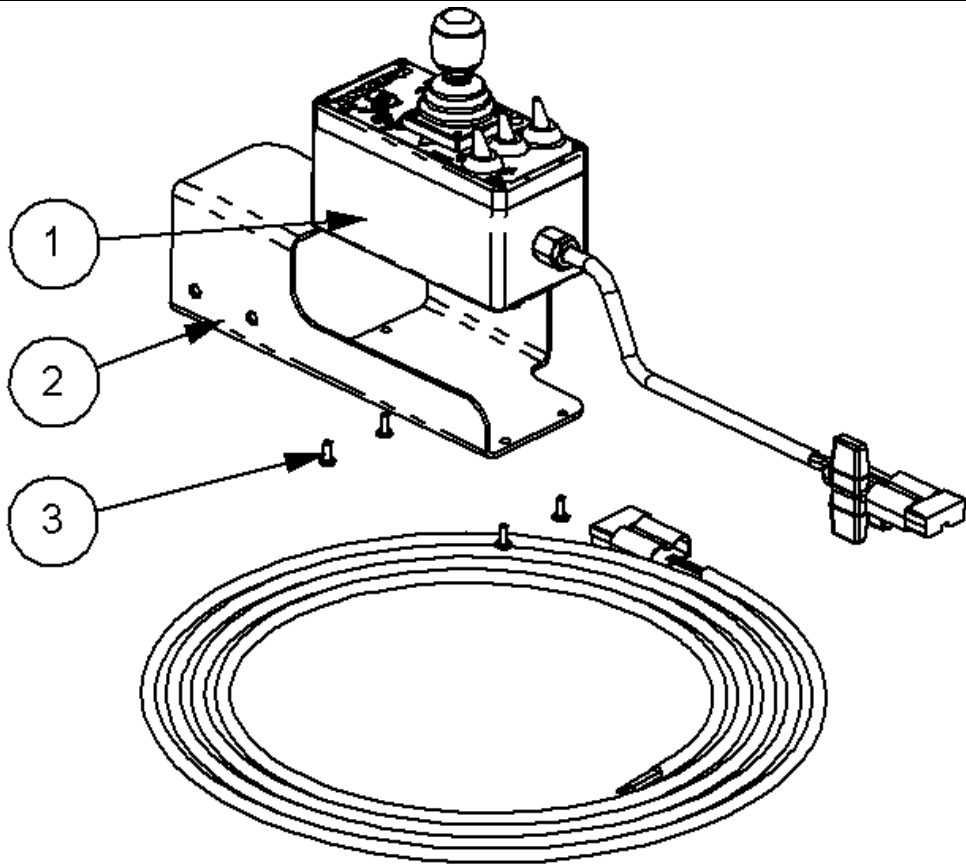
Ref	Part No	Description	Qty
1	1290870	MCCONNEL ROUNDAL	1
2	1290872	DECAL	1
3	1290871	PA4330 DECAL	1
4	1290873	75TH ANN DECAL	1
5	1335246	SERIAL NO.PLATE	1
6	7103230	RIVET	4
7	45671.01	REFLECTOR	2

7434627 B - STABILIZER KIT



7434627 B - STABILIZER KIT

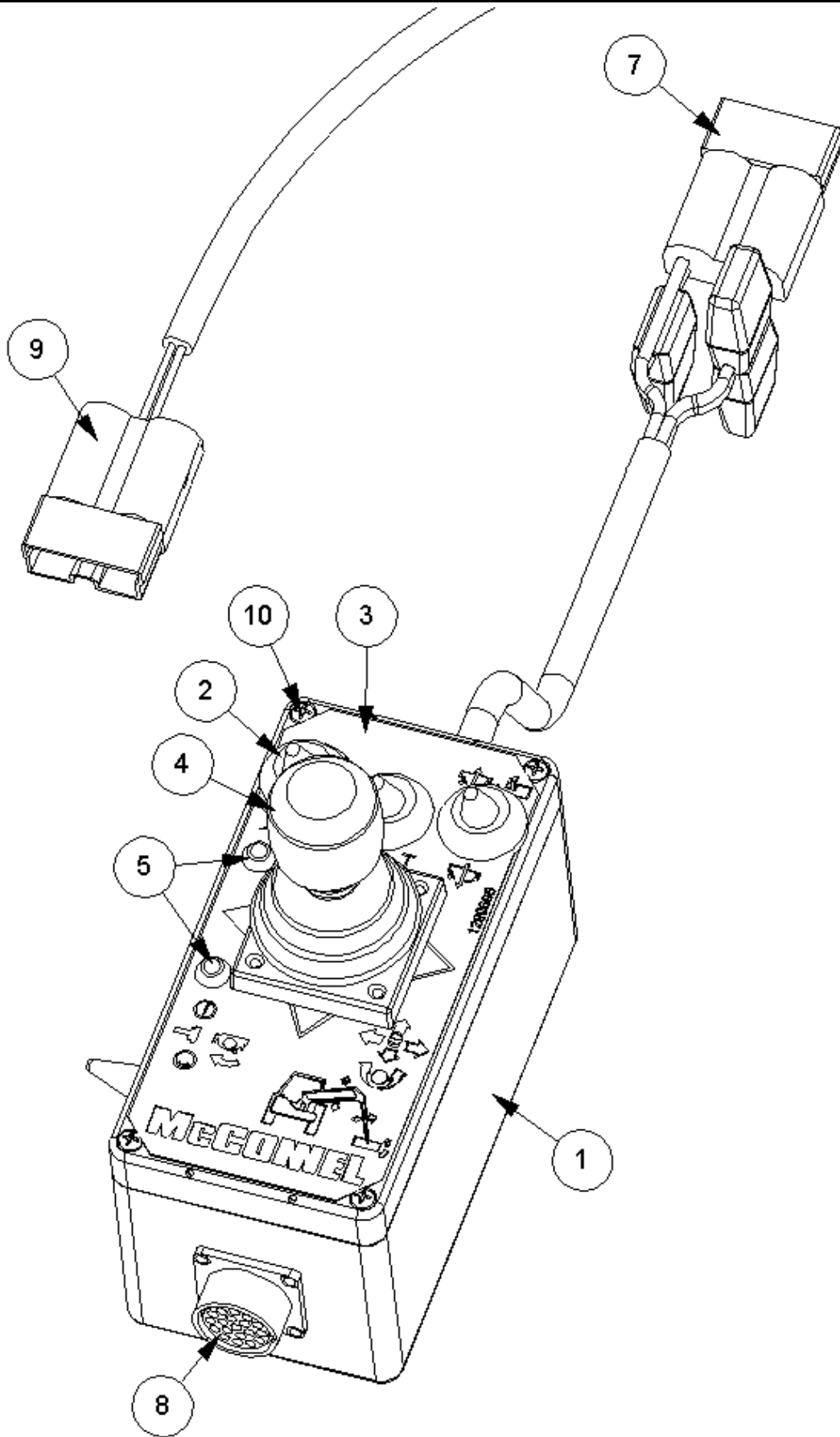
Ref	Part No	Description	Qty
1	41205.18	STABILIZER W/ASSY	1
2	9313118	SCREW	2
3	9113008	NUT	4
4	9100208	WASHER	2
5	T1657	PIN LINKAGE 3/4IN (B	2
6	0431217	PIN	2
7	1467063	SLEEVE	2
8	7499506C	STABILIZER TONGUE	1
9	9213228	BOLT	2
10	21160.03	HOOK	1
11	21883.01	SLEEVE -CAT 2-3	1
12	7196045	HOSE TIE	1



8402919 - MINI XTC KIT

Ref	Part No	Description	Qty
1	8402394	CONTROL BOX	1
2	42442.03	BRACKET	1
3	2800243	SCREW	4
4	8402701	BOX	1
5	1290717	DECAL	1

8402394 C - CONTROL BOX



8402394 C - CONTROL BOX

Ref	Part No	Description	Qty
0	8402396	PCB	1
1	8402400	BOX	1
2	8402024	COVER	4
3	1290696	DECAL	1
4	8402246	USE 8402405	1
5	41845.41	LED	2
6	8402149	GLAND	1
7	43022.47	LOOM	1
8	8402189	SHELL	1
9	8402237	LOOM	1



McConnel Limited, Temeside Works, Ludlow, Shropshire SY8 1JL. England.
Telephone: 01584 873131. Facsimile: 01584 876463. www.mcconnel.com