

Publication 495
November 2005
Part No. 41570.95



FLAILHEAD

0.9M Sliding Head

Parts Manual



For best performance...
USE ONLY McCONNEL SERVICE PARTS
To be assured of the latest design improvements purchase your
'Genuine Replacements' from the **Original Equipment Manufacturer:**
McCONNEL LIMITED through your local Dealer or Stockist.

Always quote:

- **Machine Type**
- **Serial Number**
- **Part Number**

Design Improvements may have altered some of the parts listed in this manual – The latest part will always be supplied when it is interchangeable with an earlier one.

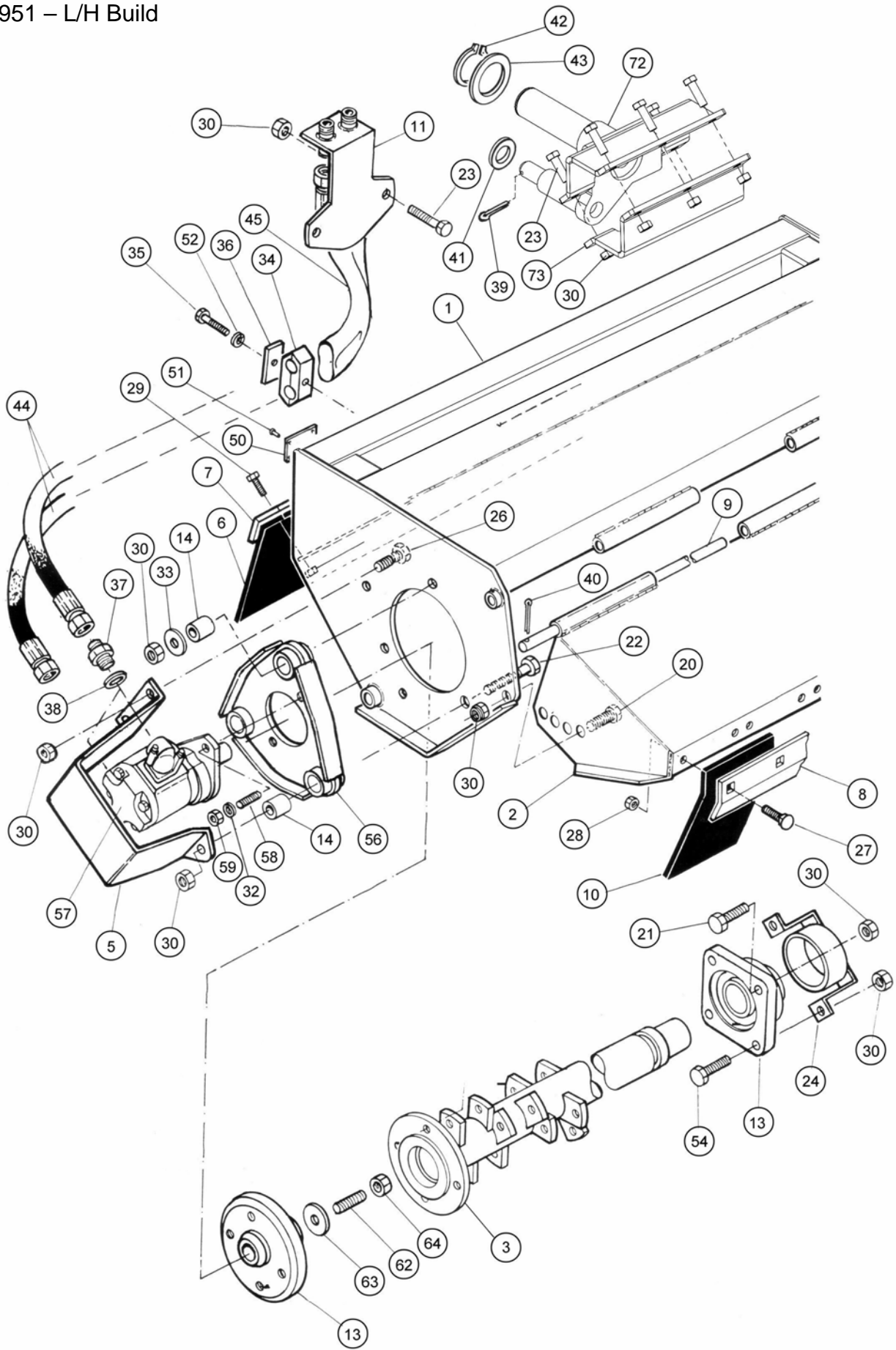


Genuine Parts ~ Quality Service




FLAILHEAD – MAIN ASSEMBLY

Module:
7490951 – L/H Build

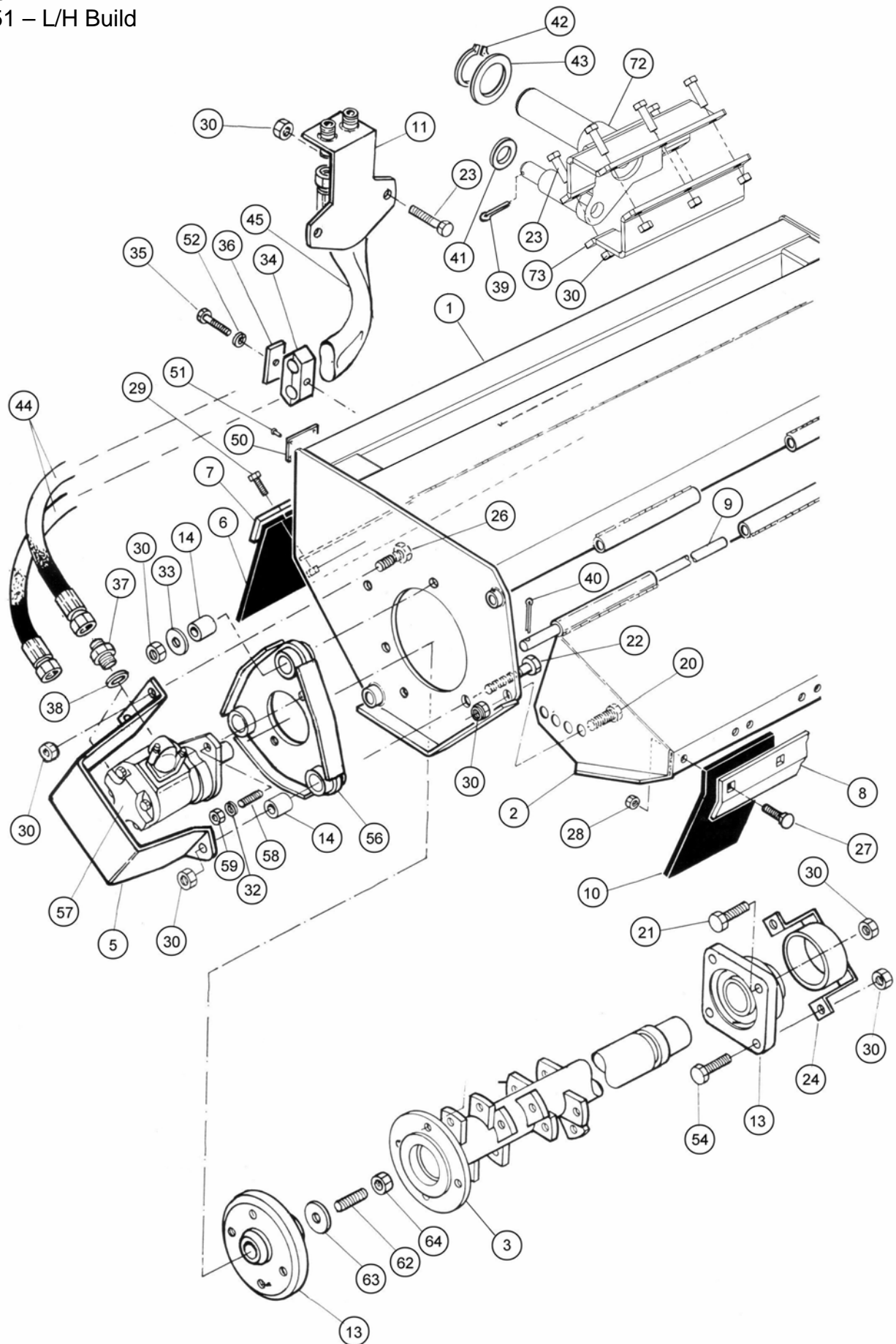


FLAILHEAD – MAIN ASSEMBLY


REF.	QTY.	PART No.	DESCRIPTION
		7490951	0.9m SLIDING FLAILHEAD - L/H Build
1	1	41282.10	CASING - Sliding L/H Build
2	1	41283.01	FRONT HOOD
3	1	41284.01	ROTOR - 900mm 9
4	2	41285.01	ROLLER BRACKET <i>(not illustrated)</i>
5	1	41288.01	MOTOR COVER
6	1	41289.01	REAR FLAP
7	1	41290.01	CLAMP STRIP - REAR
8	1	41291.01	CLAMP STRIP - FRONT
9	1	41293.01	HOOD PIVOT BAR
10	6	41296.01	FRONT FLAP
11	1	41297.01	HOSE BRACKET
12	1	41301.01	ROLLER ASSEMBLY <i>(not illustrated)</i>
13	1	03.008.01	BEARING ASSEMBLY
14	3	03.871.01	RUBBER BUSH
15	48	02.801.01	COLLAR <i>(not illustrated)</i>
16	24	05.775.02	BOLT <i>(not illustrated)</i>
17	24	05.895.01	FORGED SHACKLE <i>(not illustrated)</i>
18	48	7190463	FLAIL <i>(not illustrated)</i>
19	24	02.807.01	SPACER <i>(not illustrated)</i>
20	2	9313046	BOLT
21	2	9313066	BOLT
22	3	9213136	BOLT
23	6	9313086	BOLT
24	1	06.037.01	BEARING COVER 
25	28	05.968.02	SELF-LOCKING NUT
26	2	9313056	BOLT
27	12	9293054	BOLT
28	22	9143004	CLEVELOK NUT
29	8	9313034	BOLT
30	18	9143006	CLEVELOK NUT
31	4	9113008	NUT
32	2	9100208	SPRING WASHER
33	3	02.824.01	WASHER
34	2	06.430.09	DOUBLE HOSE CLAMP
35	1	9213094	BOLT
36	1	06.418.03	CLAMP PLATE
37	2	8581270	ADAPTOR
38	2	8650106	BONDED SEAL
39	1	9501406	COTTER PIN
40	1	9501325	SPLIT PIN
41	1	0100109	FLAT WASHER
42	1	0406247	EXTERNAL CIRCLIP
43	1	1090037	RETAINING WASHER

FLAILHEAD – MAIN ASSEMBLY

Module:
7490951 – L/H Build



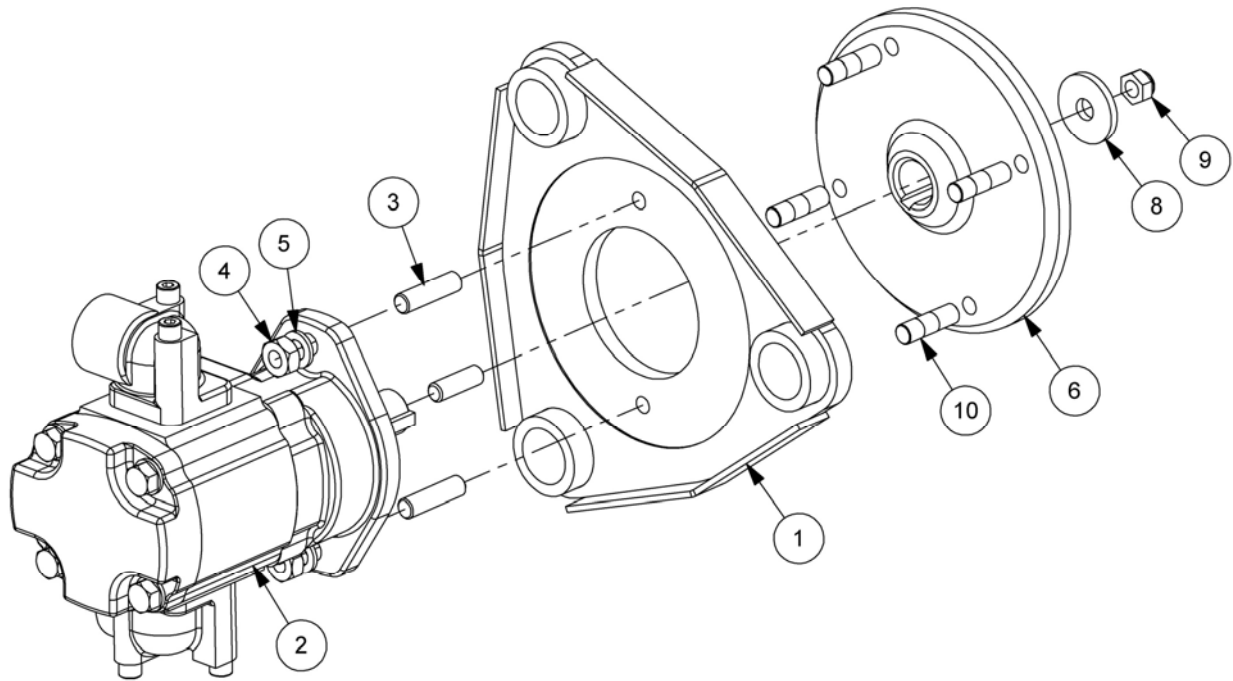
FLAILHEAD – MAIN ASSEMBLY

REF.	QTY.	PART No.	DESCRIPTION
44	2	8501247	HOSE - 5/8" BSP FS/FS x 43"
45	1	42374.10	HOSE SLEEVING
46	1	1290255	DECAL
47	1	1290341	DECAL
48	1	1290377	DECAL
49	1	1290392	DECAL
50	1	1335246	SERIAL No. PLATE
51	4	7103230	POP RIVET
52	1	9100204	SPRING WASHER
53	1	9100206	SPRING WASHER
54	3	9313076	BOLT
55	1	42603.01	MOTOR MOUNTING ASSEMBLY
	1	42603.02	MOTOR MOUNTING ASSEMBLY
56	1	09.132.01	MOTOR MOUNTING PLATE
57	1	08.785.04	MOTOR - Applicable to 42603.01
		08.785.05	MOTOR - Applicable to 42603.02
58	2	04.282.56	STUD
59	2	9113005	PLAIN NUT
60	2	9100205	SPRING WASHER
61	1	03.833.01	MOTOR DRIVE PLATE
62	1	03.960.02	STUD
63	1	03.959.02	WASHER
64	1	0141003	CLEVELOK NUT 
65	4	03.917.01	STUD
66	1	7114481	DECAL
67	2	9100305	INTERNAL SERRATED WASHER
68	1	21874.02	CLAMP BAR - SHORT
69	1	21874.01	CLAMP BAR - LONG
70	1	9213204	BOLT
71	1	9213284	BOLT
72	1	21872.01	HEAD BRACKET
73	1	21873.01	CLAMP PLATE
		08.785.02	SEAL KIT

Modules:

42603.01

42603.02 (*illustrated*)

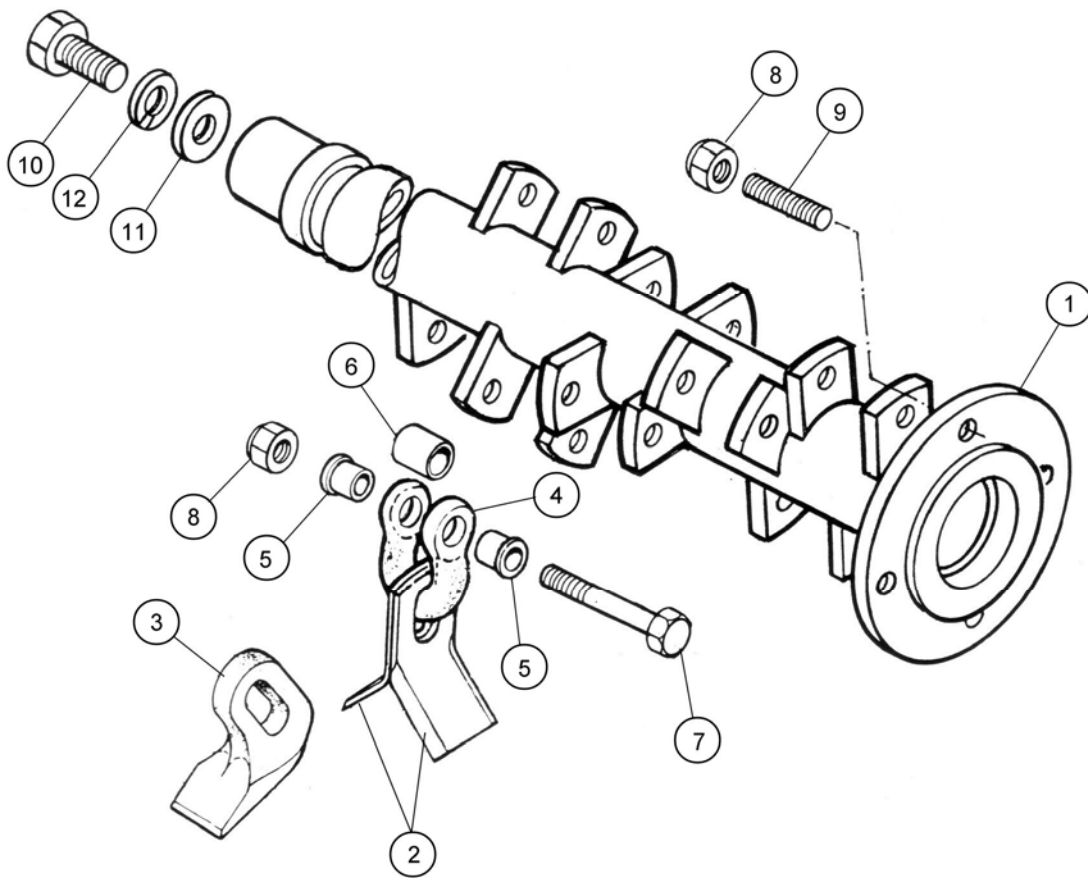


MOTOR MOUNTING ASSEMBLY

REF.	QTY.	PART No.	DESCRIPTION
		42603.01	MOTOR MOUNTING ASSEMBLY
		42603.02	MOTOR MOUNTING ASSEMBLY
1	1	09.132.01	MOTOR MOUNTING PLATE
2	1	08.785.04	MOTOR - Applicable to 42603.01
		08.785.05	MOTOR - Applicable to 42603.02
3	2	04.282.56	STUD
4	2	9113005	PLAIN NUT
5	2	9100205	SPRING WASHER
6	1	03.833.01	MOTOR DRIVE PLATE
7	1	03.960.02	STUD
8	1	03.959.02	WASHER
9	1	0141003	CLEVELOK NUT
10	4	03.917.01	STUD

ROTOR ASSEMBLY

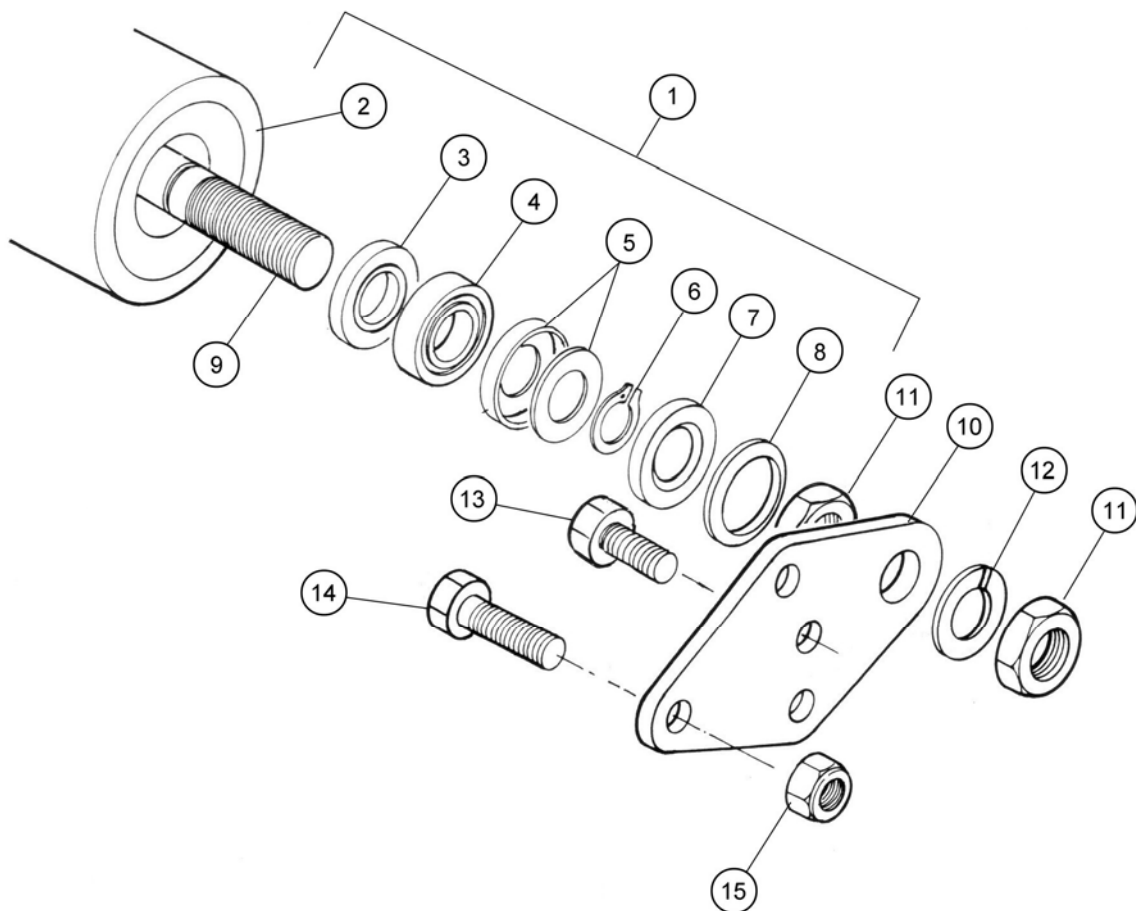
Module:
41284.01 - Rotor



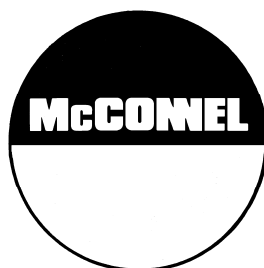
REF.	QTY.	PART No.	DESCRIPTION
			0.9M ROTOR ASSEMBLY
1	1	41284.01	ROTOR
2	48	7190166	FLAIL - GRASS
3	24	7190463	FLAIL - UNIVERSAL
4	24	05.895.01	SHACKLE
5	48	02.801.01	COLLAR
6	24	02.807.01	SPACER
7	24	05.775.02	BOLT
8	28	05.968.02	SELF-LOCKING NUT
9	4	03.917.01	STUD
10	1	9313076	SETSCREW
11	1	02.824.01	SPECIAL WASHER
12	1	9100206	SPRING WASHER

ROLLER ASSEMBLY

Module:
41301.01 – Roller Assembly



REF.	QTY.	PART No.	DESCRIPTION
			0.9M ROLLER ASSEMBLY
1		41301.01	ROLLER ASSEMBLY - <i>Comprising of:</i>
2		41301.31	ROLLER <i>Vervangen door</i>
3		04.456.07	SEAL <i>04.456.03.</i>
4		04.456.11	BEARING <i>Ersetzt durch</i>
5		04.456.06	LABYRINTH SEAL <i>04.456.03</i>
6		04.456.04	EXTERNAL CIRCLIP
7		04.456.08	V SEAL
8		04.456.05	BEARING RETAINER
9		41301.32	ROLLER SHAFT
10		41285.01	ROLLER BRACKET
11		9113008	PLAIN NUT
12		9100208	SPRING WASHER
13		9313066	SETSCREW
14		9313086	SETSCREW
15		9143006	SELF-LOCKING NUT



McConnel Limited, Temeside Works, Ludlow, Shropshire SY8 1JL. England.
Telephone: 01584 873131. Facsimile: 01584 876463. www.mcconnel.com