

SR15-6

FLAT DECK MODELS

FLEX WING MOWER

Parts Manual

(Revised: 24.10.13)

IMPORTANT

NOTE HERE THE SERIAL NUMBER OF YOUR MACHINE AND ALWAYS QUOTE IT IN ANY COMMUNICATION WITH US OR YOUR DEALER. THIS IS PARTICULARLY IMPORTANT WHEN ORDERING SPARES. REMEMBER TO INCLUDE ALL NUMBERS AND LETTERS.

MACHINE SERIAL NUMBERS _____

THE INFORMATION GIVEN THROUGHOUT THIS MANUAL IS CORRECT AT THE TIME OF PUBLICATION. HOWEVER, IN THE COURSE OF CONSTANT DEVELOPMENT OF MC CONNELL MACHINES, CHANGES IN SPECIFICATION ARE INEVITABLE. SHOULD YOU FIND THE INFORMATION GIVEN IN THIS BOOK TO BE AT VARIANCE WITH THE MACHINE IN YOUR POSSESSION, YOU ARE ADVISED TO CONTACT THE MC CONNELL SERVICE DEPARTMENT WHERE UP-TO-DATE INFORMATION WILL BE PROVIDED.

THE MANUAL CAN CONTAIN STANDARD AND OPTIONAL FEATURES AND IS NOT TO BE USED AS A MACHINE SPECIFICATION.

THE MACHINE HAS BEEN TESTED AND IS CONSIDERED SAFE IF CAREFULLY USED. ENSURE YOUR OPERATOR IS PROPERLY TRAINED IN ITS USE AND MAINTENANCE.

IMPORTANT

NOTEZ ICI LES NUMEROS DE SERIE DE VOTRE MACHINE ET MENTIONNEZ LES DANS TOUTE COMMUNICATION AVEC NOS SERVICES OU VOTRE REVENDEUR. CECI EST IMPORTANT POUR LA COMMANDE DE PIECES DETACHEES. PENSEZ A NOTER TOUS LES NUMEROS ET TOUTES LES LETTERS.

NUMEROS DE SERIE DE LA MACHINE _____

LES INFORMATIONS DONNEES DANS CE MANUEL SONT CORRECTES CEPENDANT, DU FAIT DE DEVELOPPEMENT CONSTANT DES MACHINES MC CONNELL.

CHANGEMENTS DANS LES CARACTERISTIQUES SONT INEVITABLES.

SI VOUS TROUVEZ QUE LES INFORMATIONS DONNEES NE CORRESPONDENT PAS A VOTRE MACHINE VEUILLEZ CONTACTER LE SERVICE DES REPARATIONS OU DES INFORMATIONS PLUS RECENTES VOUS SERONT DONNEES.

CE MANUEL PEUT MONTRER DES CARACTERISTIQUES OPTIONNELLES ET NE PEUT PAS ETRE CONSIDERE COMME SPECIFICATION DE LA MACHINE.

CETTE MACHINE A ETE TESTEE, ET ELLE EST CONSIDEREE COMME FIABLE A CONDITION D'UNE BONNE UTILISATION. ASSUREZ-VOUS QUE VOTRE OPERATEUR EST QUALIFIE EN CE QUI CONCERNE L'UTILISATION DE LA MACHINE AINSI QUE SON ENTRETIEN.

WICHTIG

TRAGEN SIE HIER DIE SERIENNUMMERN IHRER MASCHINE EIN UND GEBEN SIE DIESE IMMER AN, WENN SIE SICH AN UNS ODER IHREN HÄNDLER WENDEN. DAS IST BESONDERS BEI ERSATZTEILBESTELLUNGEN WICHTIG. VERGESSEN SIE NICHT, ALLE ZAHLEN UND BUCHSTABEN ZU NOTIEREN.

SERIENNUMMERN DER MASCHINE _____

DIE ANGABEN IN DIESEM HANDBUCH SIND BEI VERÖFFENTLICHUNG KORREKT. AUFGRUND DER KONSTANTEN WEITERENTWICKLUNG VON MC CONNELL MASCHINEN SIND JEDOCHÄNDERUGDEN IN DER SPEZIFIKATION UNVERMEIDLICH. WENN DIE INFORMATION IN DIESEM HANDBUCH NICHT MIT IHRER MASCHINE ÜBEREINSTIMMEN, NEHMEN SIE BITTE KONTAKT MIT DER BOMFORD TURNER KUNDENDIENSTABTEILUNG AUF, DIE IHNEN GERNE DIE AKTUELLEN INFORMATION ZUKOMMEN LÄSST.

DAS HANDBUCH KANN SOWOHL BESCHREIBUNGEN FÜR DIE STANDARD AUSFÜHRUNG ALS AUCH FÜR ZUBEHÖR ENTHALTEN UND IST NICHT ALS MASCHINENSPEZIFIKATION ZU VERWENDET.

DIE MASCHINE IST GETESTET UND BEI SACHGEMÄSSEM BETRIEB ALS SICHER BEFUNDEN WORDEN. SORGEN SIE DAFÜR, DASS IHR BEDIENPERSONAL IN ANWENDUNG UND WARTUNG RICHTIG GESCHULT WIRD.

SR15 MOWERS

PAGE ILLUSTRATION NUMBERS SHOWN ARE USED ONLY FOR REFERENCE PURPOSES
AND SHOULD NOT BE USED FOR ORDERING SPARE PARTS.
PLEASE ENSURE THE CORRECT PART NUMBER AND DESCRIPTION IS GIVEN WHEN
ORDERING SPARE PARTS.

PAGE NO

DESCRIPTION

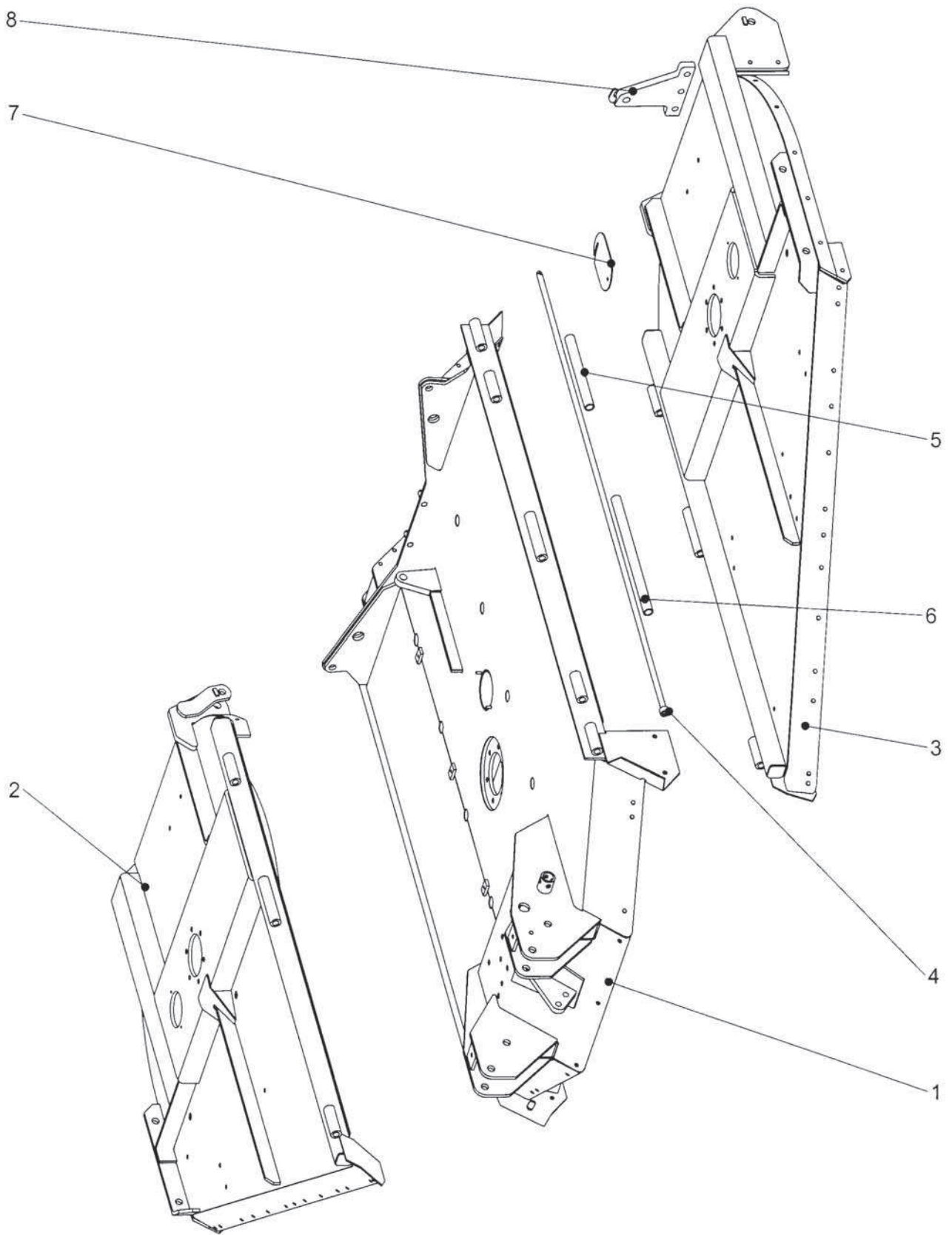
2	CENTRE DECK & WING ASSEMBLIES
6	CHAINGUARDS
10	BAFFLE ASSEMBLIES
12	SIDE SKIRTS & SKIDS
14	DRIVELINE GUARDS
16	HITCH AND LEVELLING ASSEMBLIES
20	GEARBOXES AND DRIVESHAFTS
22	HYDRAULIC RAM ASSEMBLIES
24	HYDRAULIC FITTINGS & HOSES
26	WHEELS, HUBS & AXLES
30	BLADE ASSEMBLIES
34	ROAD LIGHTING KIT
36	SAFETY DECALS

IMPORTANT

THIS MACHINE IS FOR VEGETATION CONTROL AND MUST NOT BE USED FOR ANY OTHER
PURPOSE.

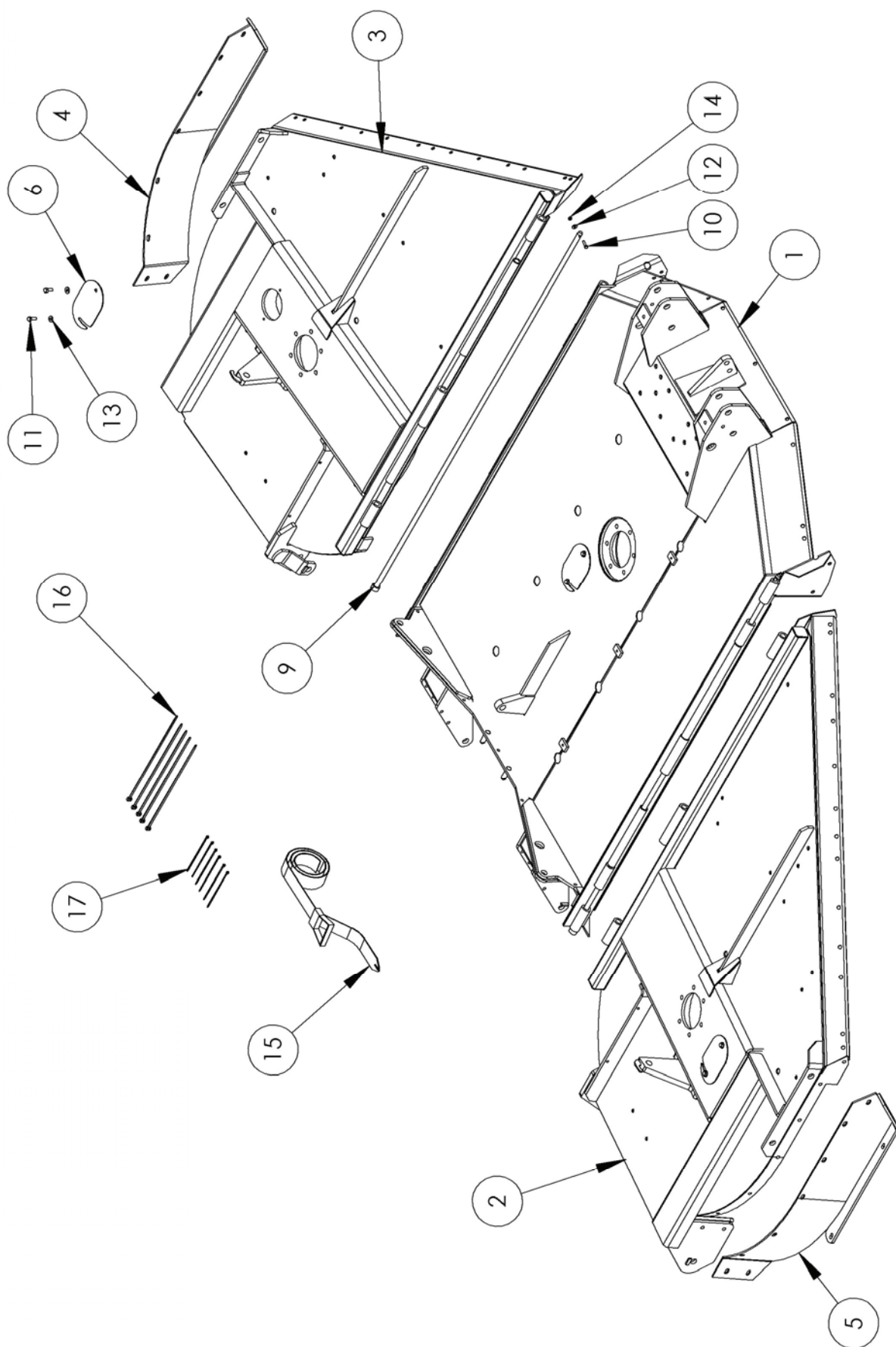
IT IS POTENTIALLY HAZARDOUS TO FIT OR USE ANY PARTS OTHER THAN GENUINE
MC CONNELL PARTS.

THE COMPANY DISCLAIMS ALL LIABILITY FOR THE CONSEQUENCES OF SUCH USE
WHICH, IN ADDITION, VOIDS THE MACHINE WARRANTY.

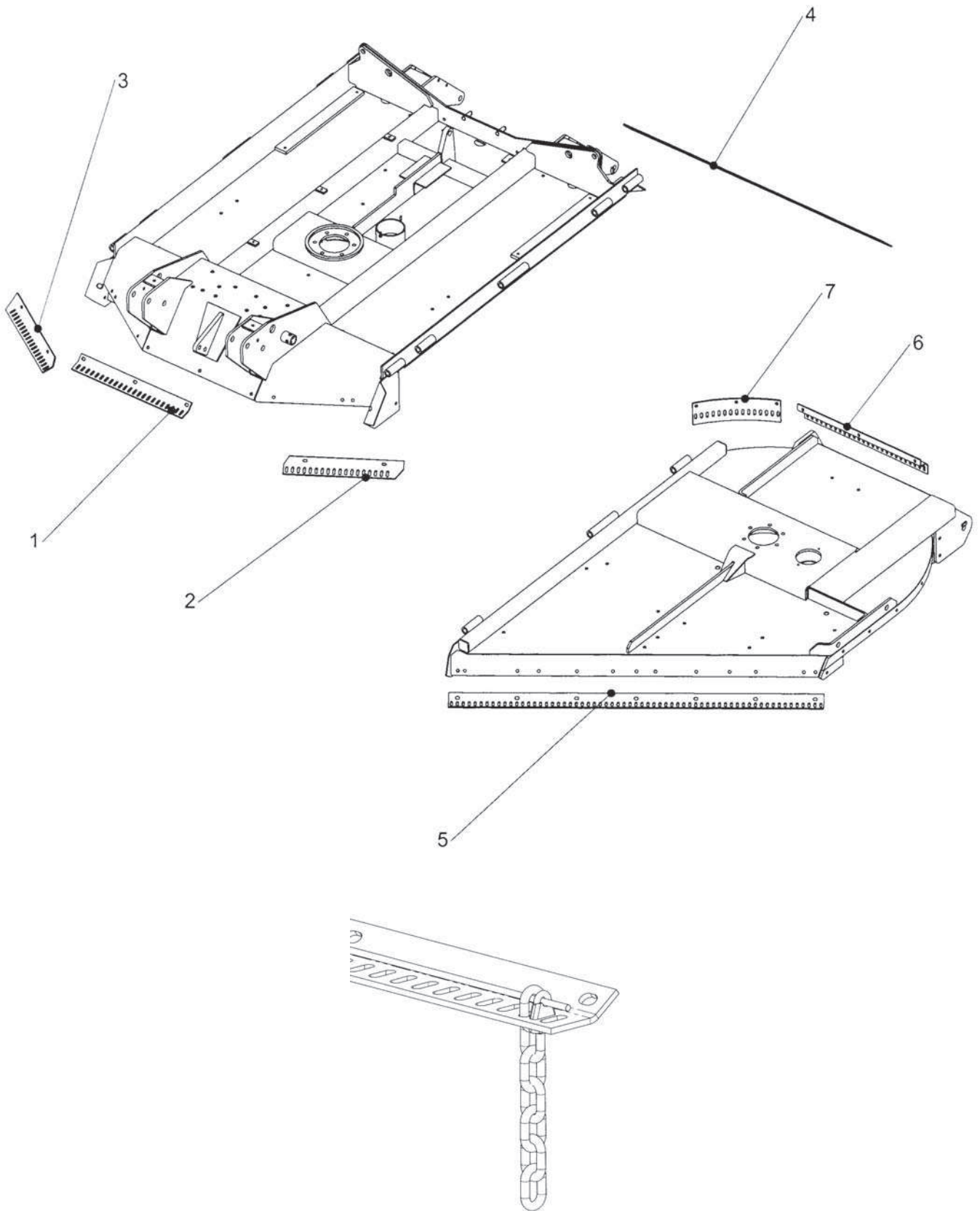


REF	PART NO	DESCRIPTION	QTY
77.500.10	MAINFRAME AND WINGS – Standard Deck & Wings		
01	46992.01	CENTRE DECK	1
02	46992.02	RH WING	1
03	46992.05	LH WING	1
04	45221.01	PIN – WING HINGE	2
04	05.264.03	SETSCREW	2
04	05.281.01	FLAT WASHER	2
04	05.287.01	SELF LOCKING NUT	2
05	45257.01	SPACER HINGE SHORT	2
06	45257.02	SPACER HINGE LONG	2
07	46774.88	COVER PLATE	3
07	03.100.01	STUD (WING COVER PLATES)	4
07	05.287.02	SELF LOCKING NUT	6
08	46992.11	LIFTING PLATE	2
08	05.281.05	FLAT WASHER	6
08	05.291.45	BOLT	6
09	45956.01	TENSIONER STRAP <i>N/I</i>	2

N/I = NOT ILLUSTRATED



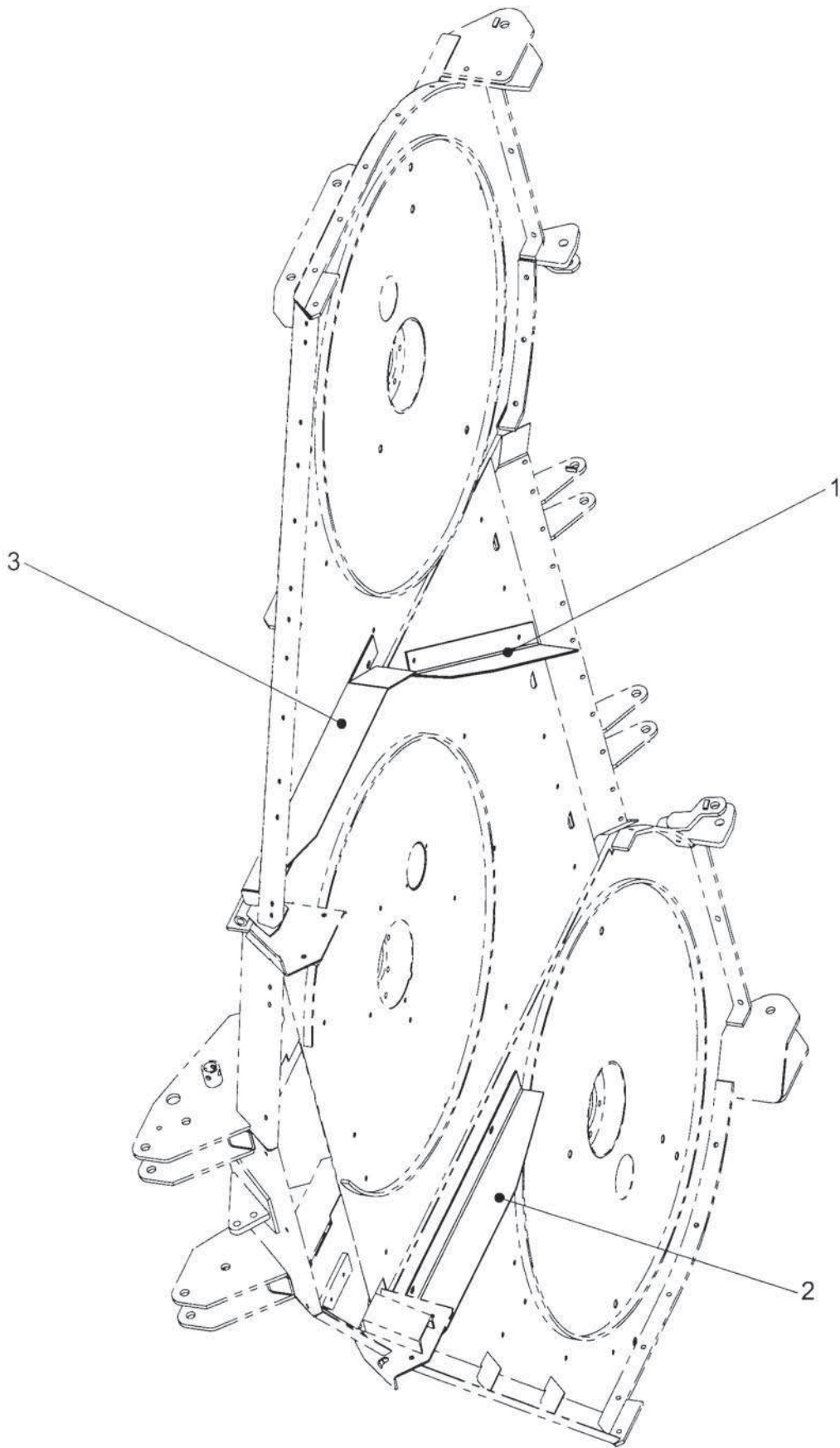
REF	PART NO	DESCRIPTION	QTY
77.500.20	MAINFRAME AND WINGS – Heavy Duty Deck & Wings		
01	47005.01	CENTRE DECK – HD	1
02	47005.02	RH WING – HD	1
03	47005.03	LH WING – HD	1
04	45238.01	LH SIDESKIRT	1
05	45238.02	RH SIDESKIRT	1
06	46774.88	COVER PLATE	3
07	45257.04	HINGE SPACER - LONG	2
08	45257.03	HINGE SPACER - SHORT	2
09	45221.01	HINGE PIN	2
10	05.264.03	SETSCREW	2
11	05.264.13	SETSCREW	6
12	05.281.01	FLAT WASHER	2
13	05.281.02	FLAT WASHER	6
14	05.287.01	SELF-LOCKING NUT	2
15	45956.01M	TENSION STRAP	1
16	06.023.01	CABLE TIE	16
17	30.058.66	CABLE CLIP	28



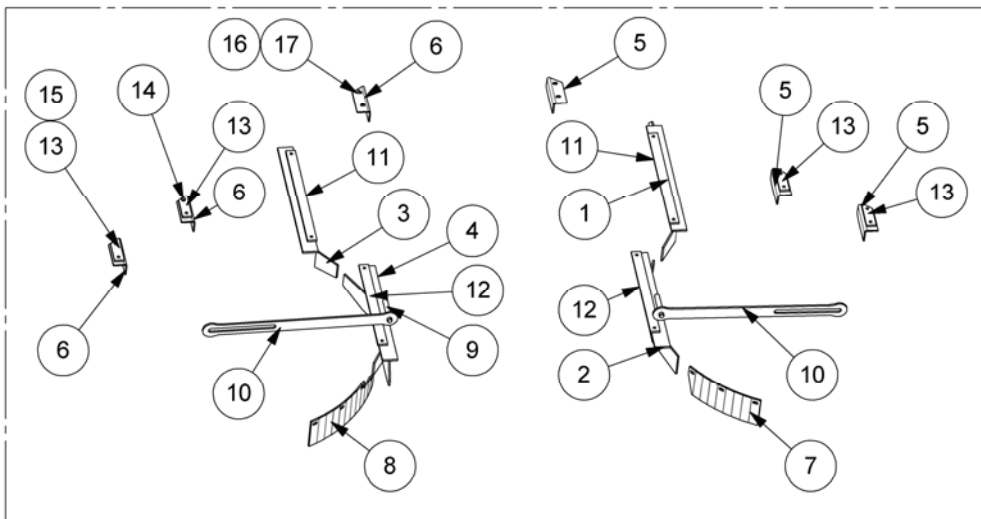
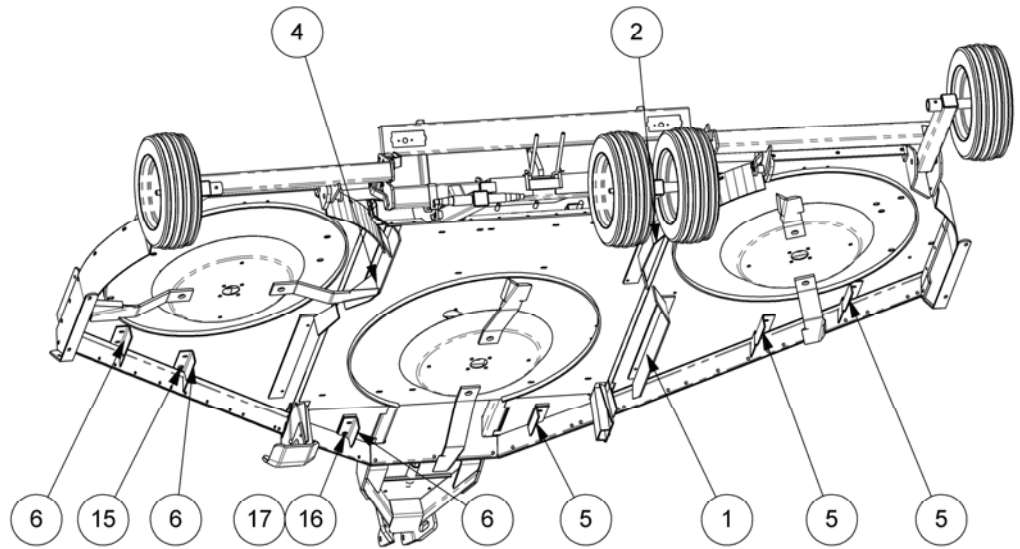
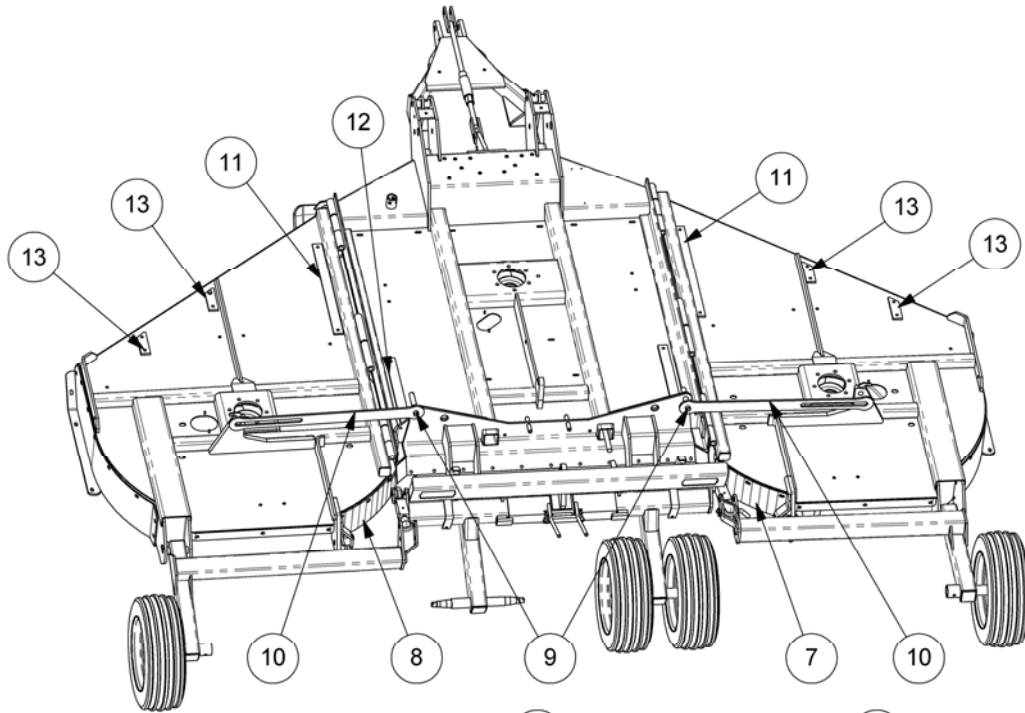
Chain Retention (After March 2006)

REF	PART NO	DESCRIPTION	QTY
77.500.12		CHAIN GUARDS - CENTRE AND WINGS	
01	45162.32	CHAIN GUARD CENTRE DECK FRONT	1
01	47057.14	RETENTION BAR 616 LG	1
01	46943.21	CHAIN ASSEMBLY	23
01	46192.01▶	PUSH ON RETAINER	2
01	6770907◀	U BOLT	2
01	9143003◀	NUT (COARSE)	4
01	05.264.23	SETSCREW	3
01	05.281.03	FLAT WASHER	3
01	05.287.03	SELF LOCKING NUT	3
02	45173.06	CHAIN GUARD CENTRE DECK FRONT LH	1
02	47057.14	RETENTION BAR 616 LG	1
02	46943.21	CHAIN ASSEMBLY	18
02	46192.01▶	PUSH ON RETAINER	2
02	6770907◀	U BOLT	2
02	9143003◀	NUT (COARSE)	4
02	05.264.23	SETSCREW	2
02	05.281.03	FLAT WASHER	2
02	05.287.03	SELF LOCKING NUT	2
03	45173.03	CHAIN GUARD CENTRE DECK FRONT RH	1
03	47057.14	RETENTION BAR 616 LG	1
03	46943.21	CHAIN ASSEMBLY	18
03	46192.01▶	PUSH ON RETAINER	2
03	6770907◀	U BOLT	2
03	9143003◀	NUT (COARSE)	4
03	05.264.23	SETSCREW	2
03	05.281.03	FLAT WASHER	2
03	05.287.03	SELF LOCKING NUT	2
04	45162.33	CHAIN GUARD CENTRE DECK REAR	1
04	47057.11	RETENTION BAR 1574 LG	1
04	46943.21	CHAIN ASSEMBLY	55
04	46192.01▶	PUSH ON RETAINER	2
04	6770907◀	U BOLT	2
04	9143003◀	NUT (COARSE)	4
04	05.264.23	SETSCREW	6
04	05.281.03	FLAT WASHER	6
04	05.287.03	SELF LOCKING NUT	6
05	45162.31	CHAIN GUARD WING FRONT	2
05	47057.10	RETENTION BAR 1800 LG	2
05	46943.21	CHAIN ASSEMBLY	126
05	46192.01▶	PUSH ON RETAINER	4
05	6770907◀	U BOLT	2
05	9143003◀	NUT (COARSE)	4
05	05.264.23	SETSCREW	14
05	05.281.03	FLAT WASHER	14
05	05.287.03	SELF LOCKING NUT	14
06	45173.01	CHAIN GUARD WING REAR	2
06	47057.12	RETENTION BAR 752 LG	2
06	46943.21	CHAIN ASSEMBLY	52
06	46192.01▶	PUSH ON RETAINER	4
06	6770907◀	U BOLT	2
06	9143003◀	NUT (COARSE)	4
06	05.264.25	SETSCREW	6
06	05.281.03	FLAT WASHER	6
06	05.287.03	SELF LOCKING NUT	6
07	45173.04	CHAIN GUARD WING REAR CENTRE	2
07	47057.13	RETENTION BAR 672 LG	2
07	46943.21	CHAIN ASSEMBLY	30
07	46192.01▶	PUSH ON RETAINER	4
07	6770907◀	U BOLT	2
07	9143003◀	NUT (COARSE)	4
07	45176.01	SPACER	6
07	05.292.22	BOLT	6
07	05.287.03	SELF LOCKING NUT	6

▶ Up to February 2006 ◀ From March 2006

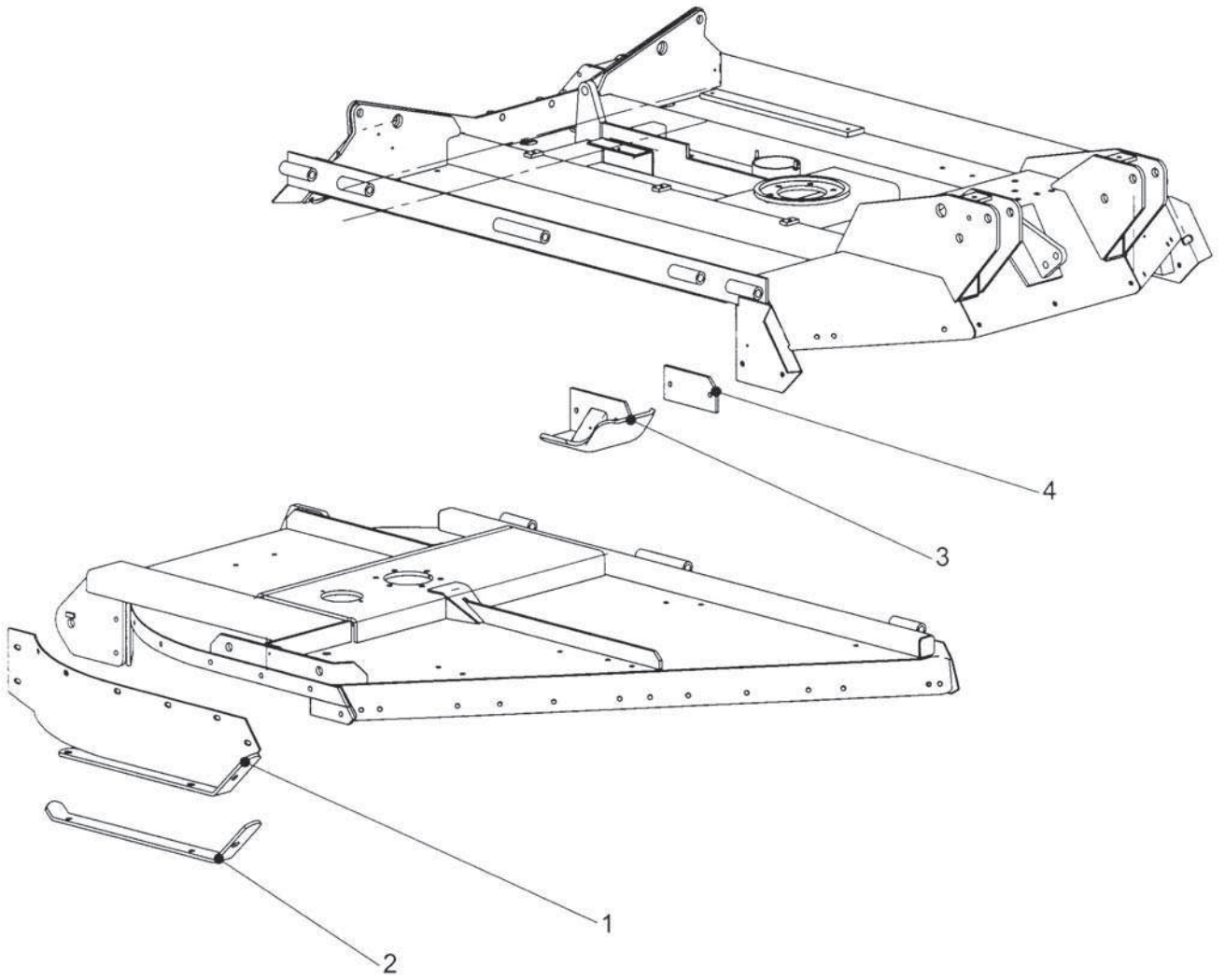


REF	PART NO	DESCRIPTION	QTY
1048523	BAFFLES - CENTRE AND WINGS (Std. Deck/Wing builds)		
01	45315.06	CENTRE BAFFLE	1
01	05.264.23	SETSCREW	2
01	05.281.03	FLAT WASHER	4
01	05.287.03	SELF LOCKING NUT	2
02	45315.05	RH BAFFLE	1
02	05.264.23	SETSCREW	2
02	05.281.03	FLAT WASHER	4
02	05.287.03	SELF LOCKING NUT	2
03	45315.02	LH BAFFLE	1
03	05.264.23	SETSCREW	2
03	05.281.03	FLAT WASHER	4
03	05.287.03	SELF LOCKING NUT	2
77.600.36	BAFFLES - CENTRE AND WINGS (HD Deck/Wing builds)		
01	47961.01	CENTRE BAFFLE	1
01	05.264.23	SETSCREW	2
01	05.281.03	FLAT WASHER	4
01	05.287.03	SELF LOCKING NUT	2
02	45315.05	RH BAFFLE	1
02	05.264.23	SETSCREW	2
02	05.281.03	FLAT WASHER	4
02	05.287.03	SELF LOCKING NUT	2
03	45315.03	LH BAFFLE	1
03	05.264.23	SETSCREW	2
03	05.281.03	FLAT WASHER	4
03	05.287.03	SELF LOCKING NUT	2

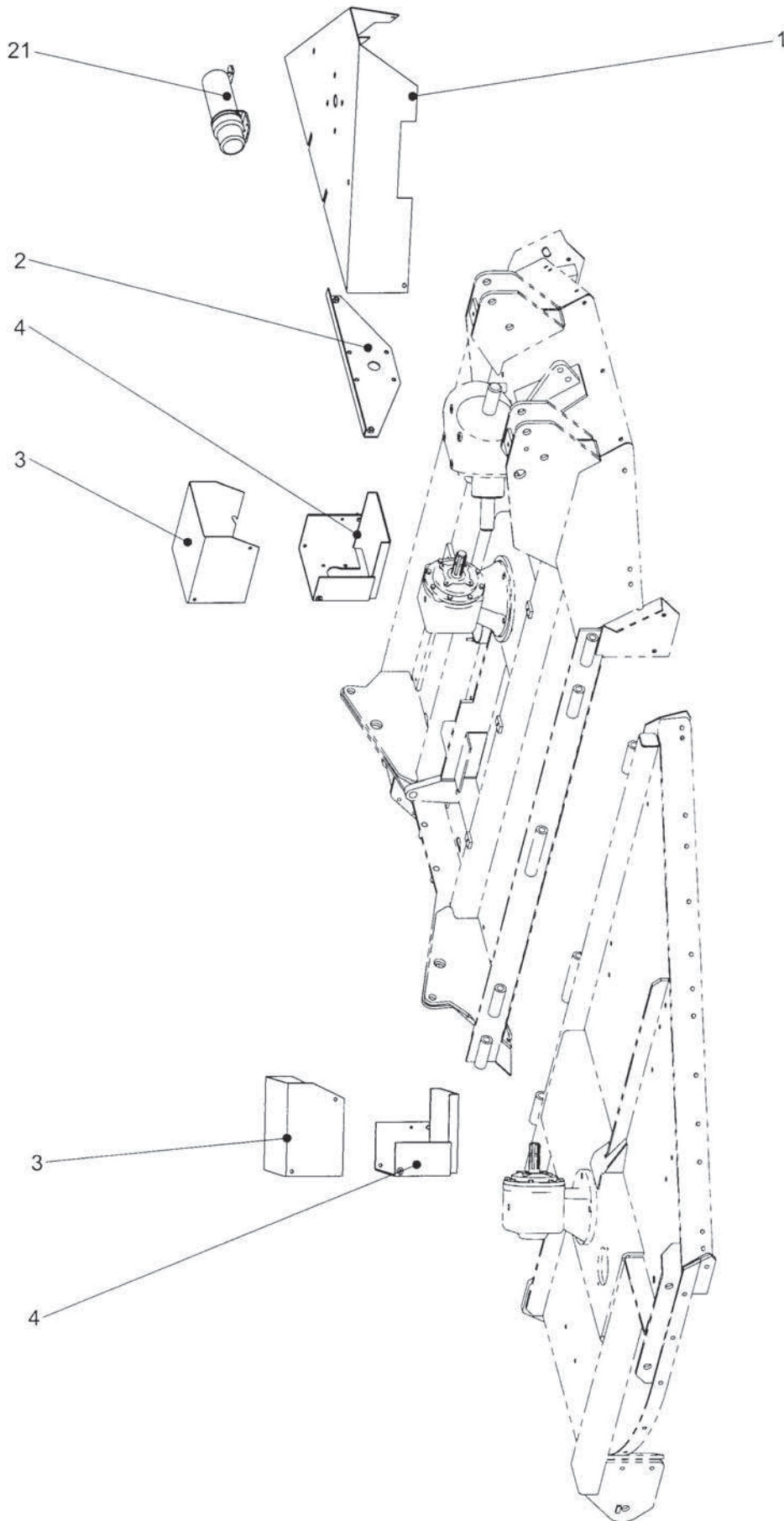


BAFFLE KIT

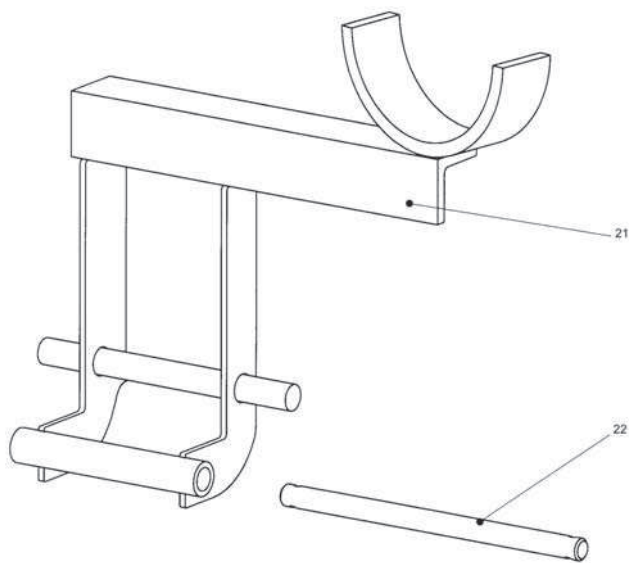
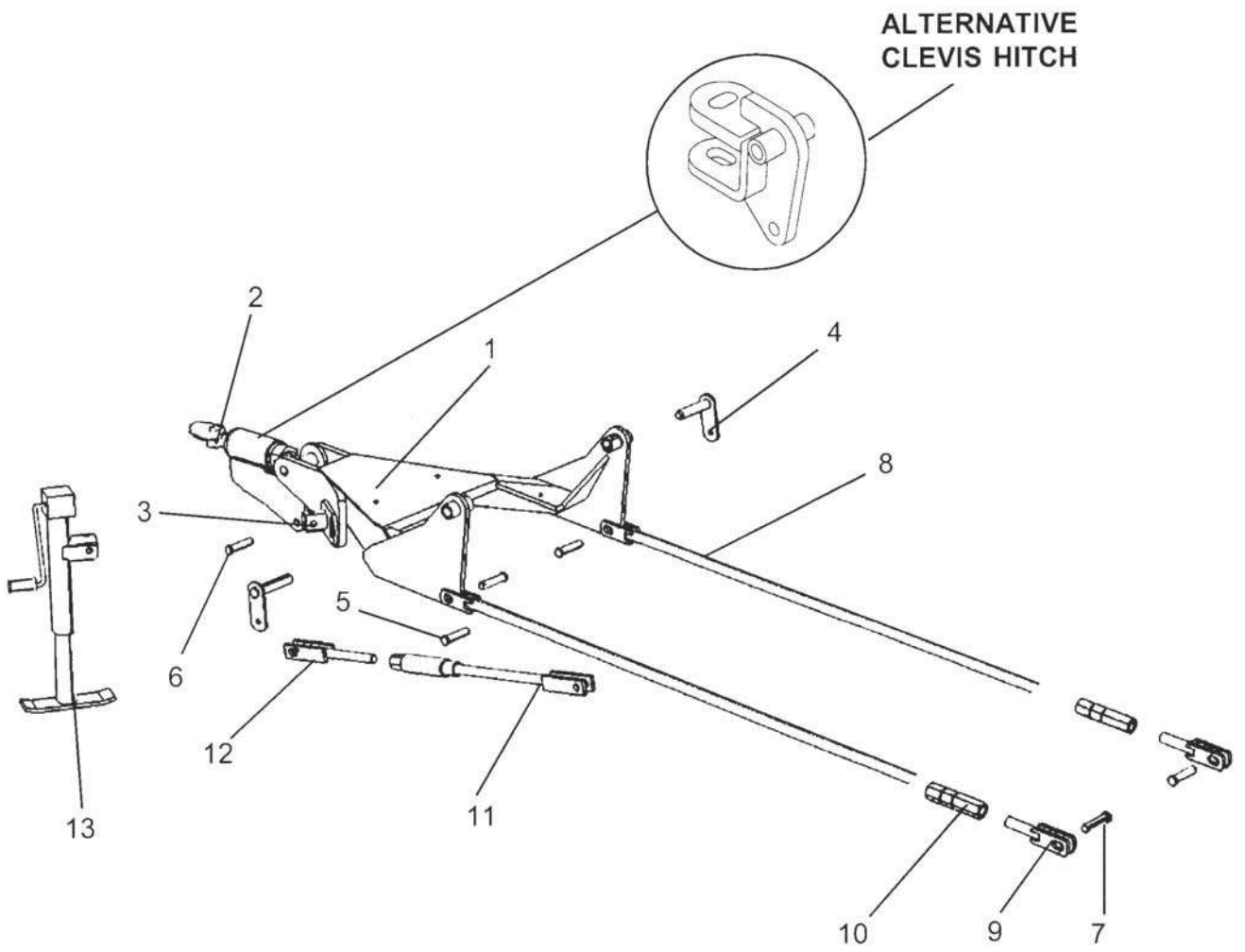
REF	PART NO	DESCRIPTION	QTY
1048524	BAFFLE KIT (SMA)		
01	309798	BAFFLE	1
02	309799	BAFFLE	1
03	309800	BAFFLE	1
04	309801	BAFFLE	1
05	309802	BAFFLE SHORT RH	3
06	309803	BAFFLE SHORT LH	3
07	309804	DEFLECTOR RH	1
08	309805	DEFLECTOR LH	1
09	309943	RAM PIN	4
10	309941	RAM LIMITER BAR	2
11	309813	BOLTING PLATE	2
12	309806	BOLTING PLATE	2
13	309940	BOLTING PLATE	4
14	9313076	SETSCREW	22
15	9163006	NYLOC NUT	22
16	9313046	SETSCREW	4
17	9100206	SPRING WASHER	2



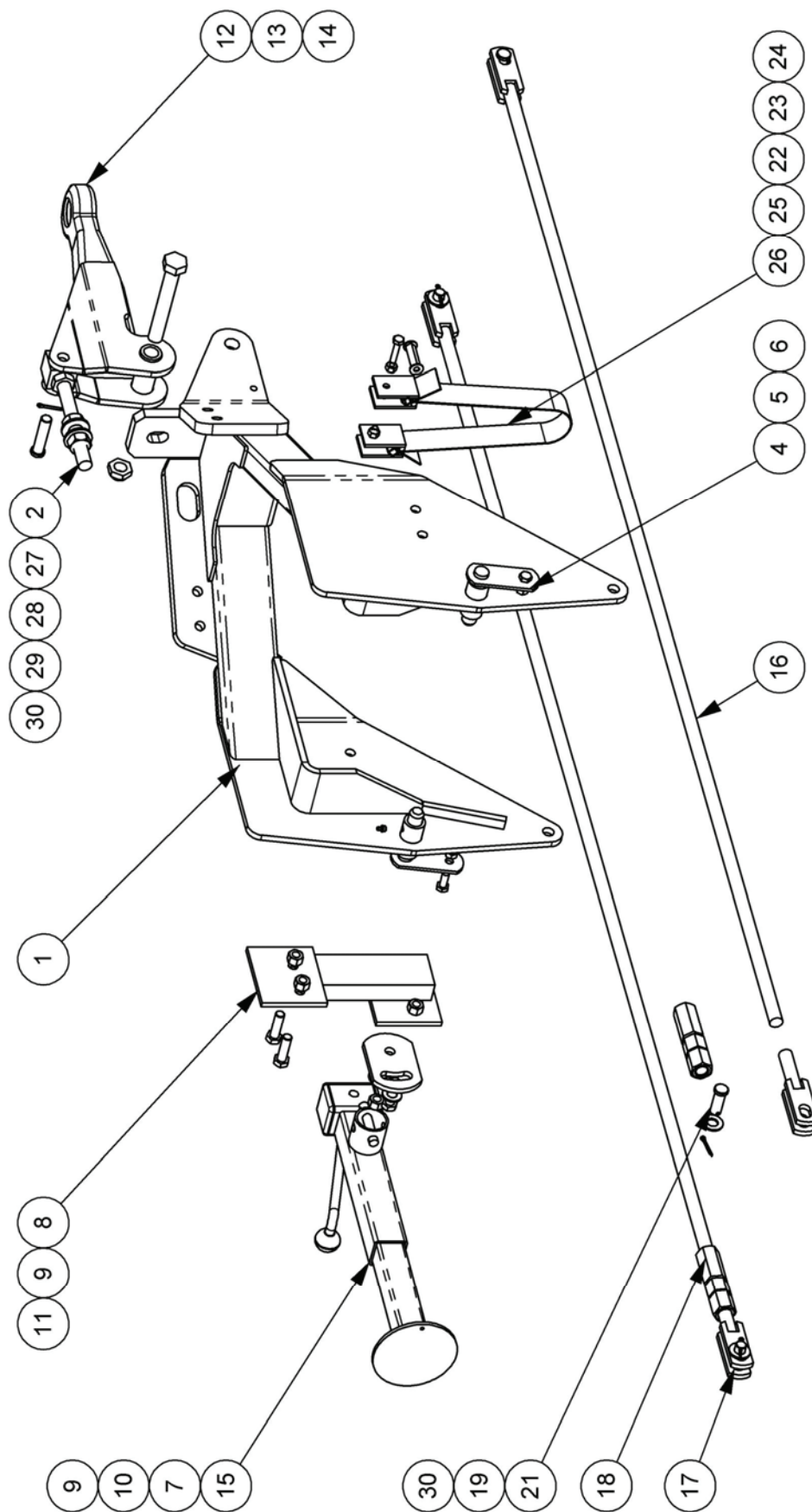
<u>REF</u>	<u>PART NO</u>	<u>DESCRIPTION</u>	<u>QTY</u>
1048505	SIDE SKIRTS & SKIDS		
01	45238.01	SIDE SKIRT LH	1
01	45238.02	SIDE SKIRT RH	1
01	05.264.25	SETSCREW	16
01	05.281.03	FLAT WASHER	16
01	05.287.03	SELF LOCKING NUT	16
02	45238.03	SKID SHOE LH	1
02	45238.04	SKID SHOE RH	1
02	6012034	PLOUGH BOLT	6
02	05.288.03	NUT	6
03	45239.01	SKID LH	1
03	45239.02	SKID RH	1
03	05.264.23	SETSCREW	4
03	05.287.03	SELF LOCKING NUT	4
04	45239.33	SPACER PLATE	2



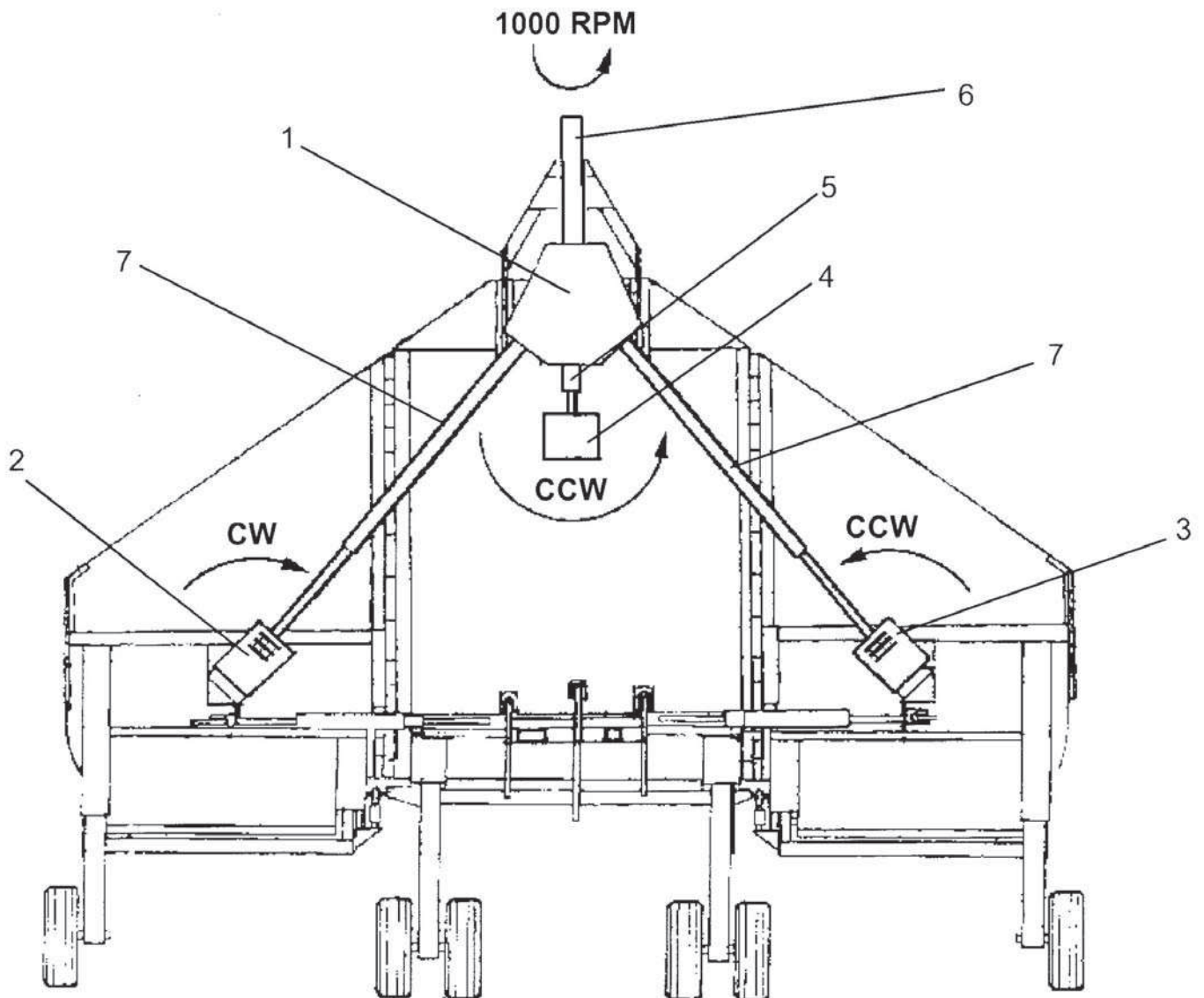
REF	PART NO	DESCRIPTION	QTY
77.500.14	DRIVELINE GUARDS		
01	45231.01	GUARD DIVIDER GEARBOX	1
01	05.256.22	SETSCREW	6
01	0100205	SPRING WASHER	6
02	45231.02	STIFFENER	1
03	45183.01	GEARBOX GUARD SUPPORT BRACKET	3
03	0312062	SETSCREW	12
03	0100202	SPRING WASHER	12
03	0111001	NUT	3
04	45187.01	GEARBOX GUARD	3
77.600.35	DRIVELINE GUARDS (Builds with Gearbox/Shaft Assembly 77.500.18)		
01	47951.01	GUARD DIVIDER GEARBOX	1
01	05.256.22	SETSCREW	6
01	05.293.05	SPRING WASHER	4
01	05.281.01	FLAT WASHER	4
03	0312062	SETSCREW	12
03	05.281.01	FLAT WASHER	12
04	21839.01	GEARBOX GUARD	3
46505.02	MANUAL HOLDER ASSEMBLY		
21	46505.01	LITERATURE HOLDER – PLASTIC	1
21	46503.01	SPACER	1
21	9313043	SETSCREW	3
21	30.070.64	NUT NYLOC	3
21	05.281.10	FLAT WASHER	3



REF	PART NO	DESCRIPTION	QTY
1048502/1048522 HITCH AND LEVELLING ASSEMBLY (PINTLE/CLEVIS)			
01	45203.01	LONG TONGUE	1
01	0901121	GREASE NIPPLE	2
02	45235.01	PINTLE HITCH EYE	1
02	45945.01	CLEVIS HITCH	1
02	0211569	BOLT	1
02	0141009	CLEVELOK NUT	1
03	45186.01	JACK MOUNT	1
03	00764515	CHAIN-SAFETY	1
03	9213117	BOLT	2
03	9143007	CLEVELOK NUT	2
04	45185.01	PIN-PIVOT	2
04	9313066	BOLT	2
04	9143006	CLEVELOK NUT	2
05	45213.01	PIN	1
05	9501326	SPLIT PIN	1
06	45213.02	PIN	1
06	9501326	SPLIT PIN	1
07	45213.03	PIN	4
07	9501326	SPLIT PIN	4
07	0100107	FLAT WASHER	4
08	45226.01	LEVEL ROD - LONG	2
09	45226.02	LEVEL ROD - SHORT	2
09	30.070,62	THIN NUT	2
10	45227.01	NUT ADJUSTMENT	2
11	45232.11	CONTROL ROD-LONG	1
12	45232.12	CONTROL ROD	1
12	30.070,62	THIN NUT	1
13	1048060	JACK ASSEMBLY	1
21182.27 PTO SUPPORT BRACKET			
21	21182.01	PTO SUPPORT BRACKET	1
22	21182.36	PIVOT BAR	1
22	9501255	COTTER PIN	2
21182.28 PTO SUPPORT BRACKET			
21	21182.01	PTO SUPPORT BRACKET	1
22	21182.36	PIVOT BAR	1
22	05.284.96	SPLIT COTTER	2

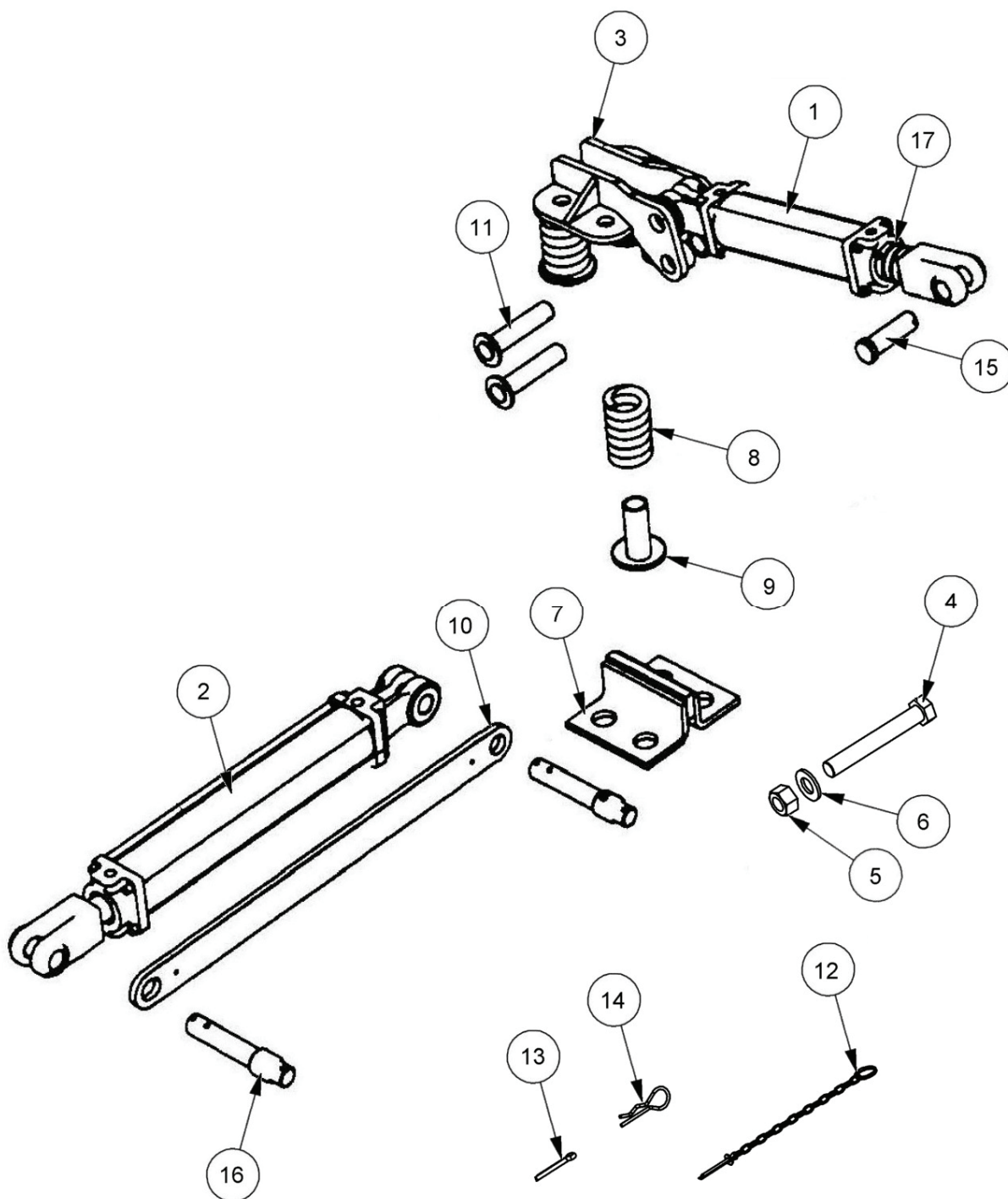


REF.	QTY.	PART No.	DESCRIPTION
		1048512	HIGH HITCH & LEVELLING (Non UK Models)
1	1	45203.02	HIGH HITCH TONGUE
2	1	45203.03	ADJUSTER ROD
3	2	0901121	GREASE NIPPLE
4	2	45185.01	TONGUE PIVOT PIN
5	2	9313066	SETSCREW
6	2	9143006	SELF-LOCKING NUT
7	1	45186.01	JACK TUBE MOUNT
8	1	45407.01	JACK ADAPTOR
9	3	9213117	BOLT
10	2	0100106	FLAT WASHER
11	4	9143007	SELF-LOCKING NUT
12	1	45235.04	FIXED HITCH EYE BRACKET
13	1	0211569	UNF BOLT
14	1	0141009	UNF CLEVELOC NUT
15	1	1048060	JACK
16	2	45226.01	LEVEL ROD - LONG
17	2	45226.02	LEVEL ROD - SHORT
18	2	45227.01	ADJUSTMENT NUT
19	3	0100107	FLAT WASHER
20	1	00764515	SAFETY CHAIN
21	4	45213.03	PIN - LONG LEVEL RODS
22	2	9213105	BOLT
23	2	9143005	SELF-LOCKING NUT
24	4	45830.21	CLEAT
25	2	45830.22	ROD
26	1	45830.46	STRAP
27	2	9113009	NUT
28	2	9100109	FLAT WASHER
29	1	45213.01	PIN - LEVEL ROD
30	5	9501326	SPLIT PIN

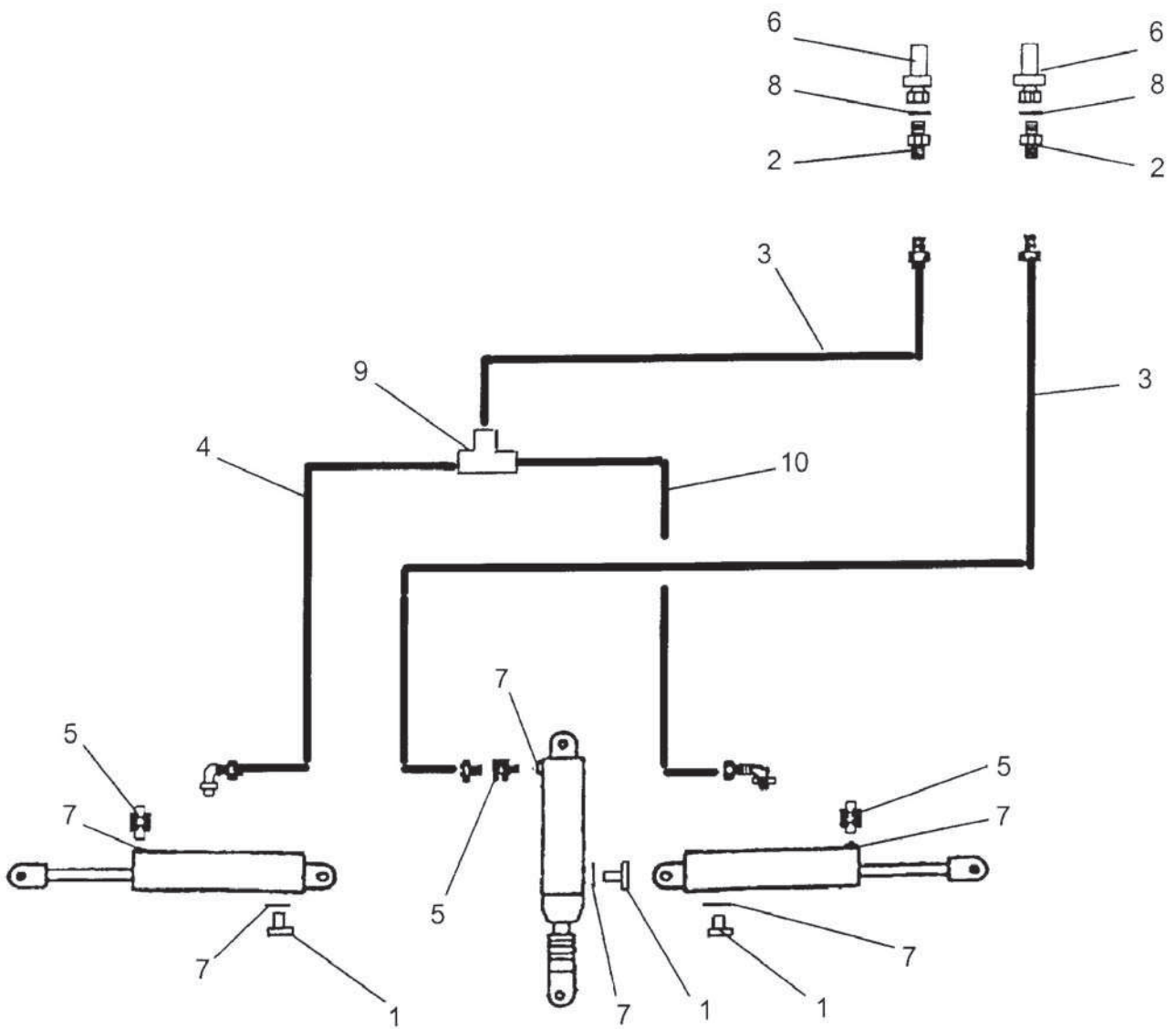


REF	PART NO	DESCRIPTION	QTY
77.500.18	GEARBOXES & SHAFTS (WALTERSCHEID)		
01	00769116P	GEARBOX – DIVIDER	1
01	05.256.34	SETECREW	4
01	05.281.04	FLAT WASHER	4
01	05.282.04	SPRING WASHER	4
02	00769918P	GEARBOX – LEFT WING	1
02	05.252.35	BOLT	6
02	05.295.05	SELF LOCKING NUT	6
03	00769921P	GEARBOX – RIGHT WING	1
03	05.252.35	BOLT	6
03	05.295.05	SELF LOCKING NUT	6
04	00769924P	GEARBOX – CENTRE	1
04	05.252.35	BOLT	6
04	05.295.05	SELF LOCKING NUT	6
05	00756581	INTERMEDIATE DRIVE SHAFT	1
06	310183	MAIN PTO SHAFT	1
07	1048055	SHAFT ASSEMBLY – WING	2

REF	PART NO	DESCRIPTION	QTY
1048507	GEARBOXES & SHAFTS		
01	00769116P	GEARBOX – DIVIDER	1
01	05.256.34	SETECREW	4
01	05.281.04	FLAT WASHER	4
01	05.282.04	SPRING WASHER	4
02	00769918P	GEARBOX – LEFT WING	1
02	05.252.35	BOLT	6
02	05.295.05	SELF LOCKING NUT	6
03	00769921P	GEARBOX – RIGHT WING	1
03	05.252.35	BOLT	6
03	05.295.05	SELF LOCKING NUT	6
04	00769924P	GEARBOX – CENTRE	1
04	05.252.35	BOLT	6
04	05.295.05	SELF LOCKING NUT	6
05	00756581	INTERMEDIATE DRIVE SHAFT	1
06	1048057	MAIN PTO SHAFT	1
07	00757375A	SHAFT ASSEMBLY – WING	2
1048525	GEARBOXES & SHAFTS (21 SPLINE + OVERRUN)		
01	00769116P	GEARBOX – DIVIDER	1
01	05.256.34	SETECREW	4
01	05.281.04	FLAT WASHER	4
01	05.282.04	SPRING WASHER	4
02	00769918P	GEARBOX – LEFT WING	1
02	05.252.35	BOLT	6
02	05.295.05	SELF LOCKING NUT	6
03	00769921P	GEARBOX – RIGHT WING	1
03	05.252.35	BOLT	6
03	05.295.05	SELF LOCKING NUT	6
04	00769924P	GEARBOX – CENTRE	1
04	05.252.35	BOLT	6
04	05.295.05	SELF LOCKING NUT	6
05	00756581	INTERMEDIATE DRIVE SHAFT	1
06	5614541	MAIN PTO SHAFT	1
06	028151	PTO YOKE	0
07	00757375A	SHAFT ASSEMBLY – WING	2
1048526	GEARBOXES & SHAFTS (6 SPLINE + OVERRUN)		
01	00769116P	GEARBOX – DIVIDER	1
01	05.256.34	SETECREW	4
01	05.281.04	FLAT WASHER	4
01	05.282.04	SPRING WASHER	4
02	00769918P	GEARBOX – LEFT WING	1
02	05.252.35	BOLT	6
02	05.295.05	SELF LOCKING NUT	6
03	00769921P	GEARBOX – RIGHT WING	1
03	05.252.35	BOLT	6
03	05.295.05	SELF LOCKING NUT	6
04	00769924P	GEARBOX – CENTRE	1
04	05.252.35	BOLT	6
04	05.295.05	SELF LOCKING NUT	6
05	00756581	INTERMEDIATE DRIVE SHAFT	1
06	310183	MAIN PTO SHAFT	1
07	00757375A	SHAFT ASSEMBLY – WING	2

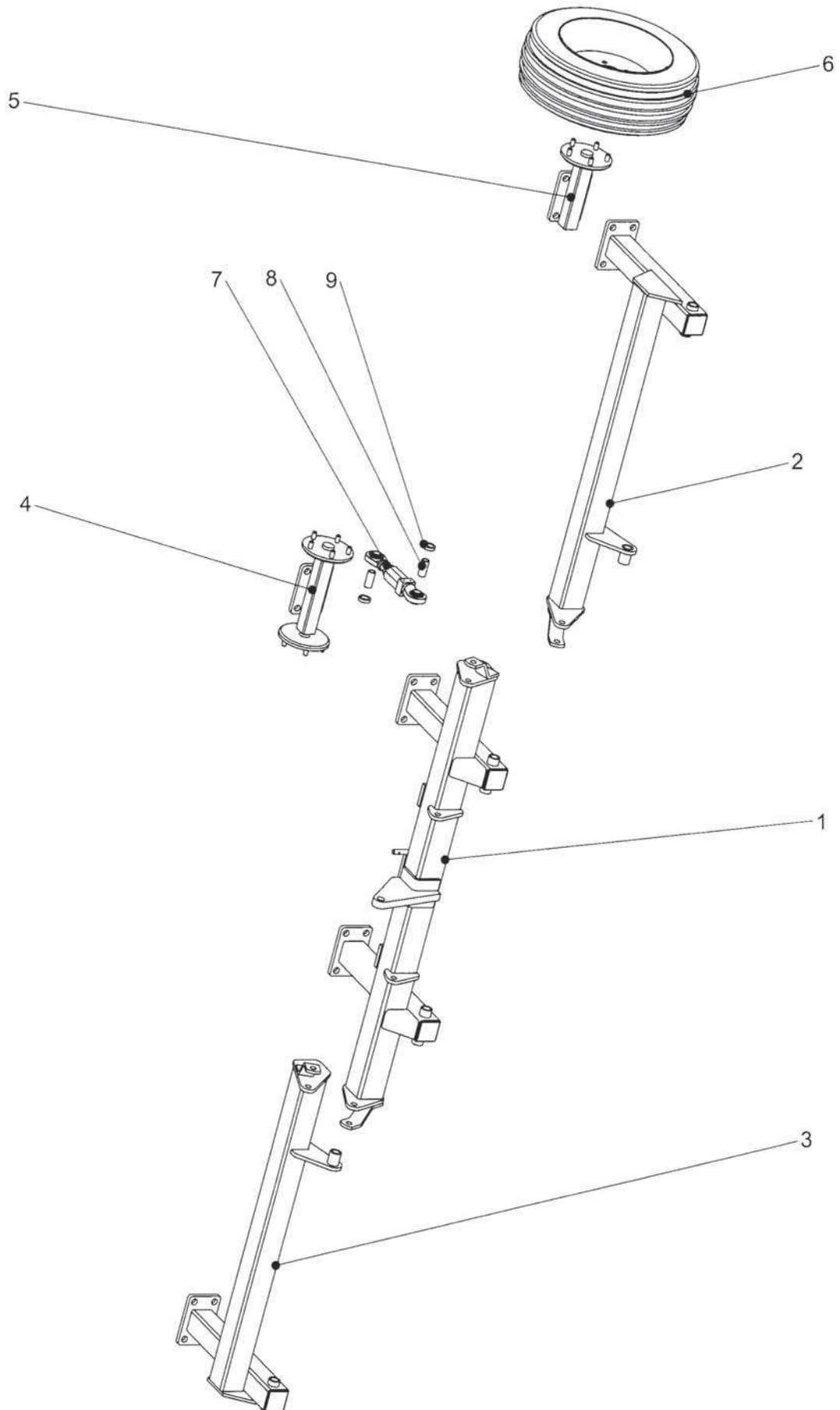


REF	PART NO	DESCRIPTION	QTY
1048506		HYDRAULIC RAMS & FITTINGS	
01	8727A	RAM – LIFT	1
02	8728A	RAM – WING	2
03	45200.01	BRACKET-UPPER SPRING	1
04	0212527	BOLT	4
05	0142007	SELF-LOCKING NUT	4
06	0100107	FLAT WASHER	4
07	45200.02	BRACKET-LOWER SPRING	1
08	371063A	SPRING	4
09	45246.01	SPRING GUIDE	4
10	45201.01	TRANSPORTER BAR	2
11	45214.01	PIN-BASE END LIFT RAM	2
12	03.255.05	CHAIN RING ASSEMBLY	2
13	0431105	SPLIT COTTER	2
14	05.964.01	SPRING COTTER	4
15	45217.01	PIN-ROD LIFT RAM	1
16	45163.01	PIN-WING RAM	4
17	00755234	CONTROL SPACER KIT	1
	00774760	SEAL KIT FOR RAMS	



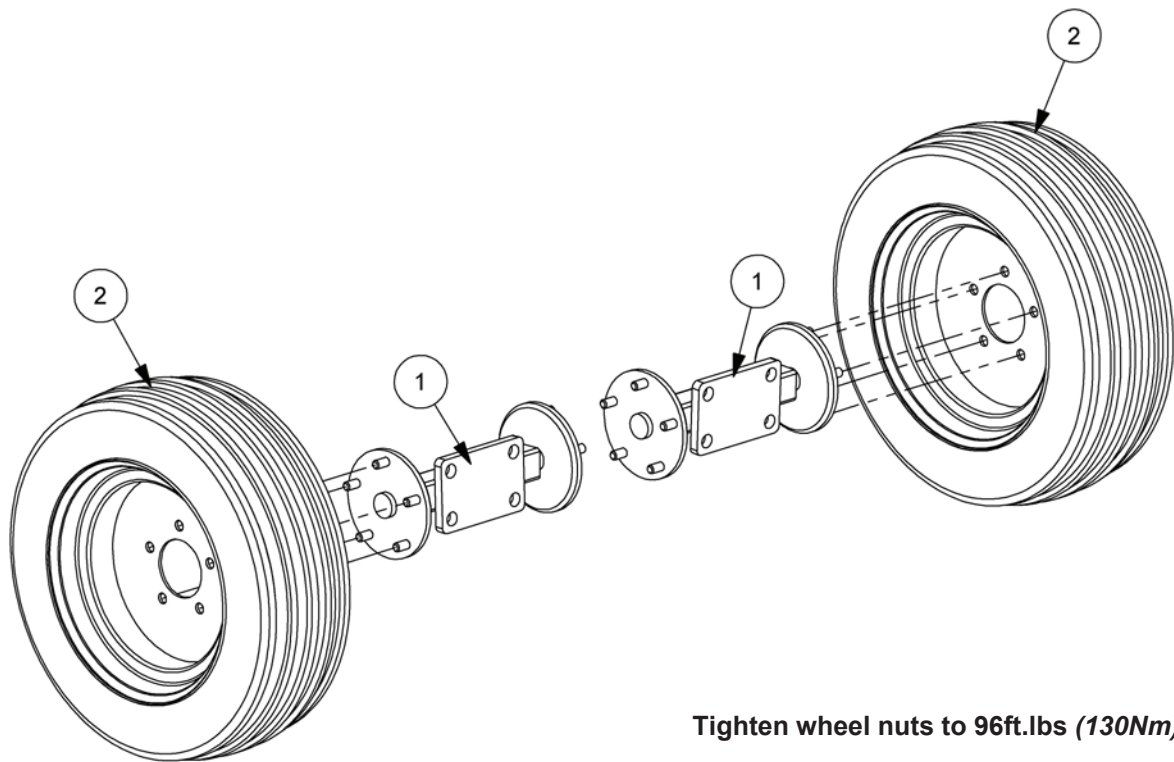
REF	PART NO	DESCRIPTION	QTY
77.500.16	HYDRAULIC FITTINGS AND HOSES		
01	00762114	BREATHER	3
02	8124064	RESTRICTOR	2
03	10.003.62	HOSE 3/8" BSP FS/FS X 5200	2
04	10.004.26	HOSE 3/8" BSP FS/F90 X 1600	1
05	8581170	CONED ADAPTOR JIC	3
06	05.146.01	BSP QUICK RELEASE	2
07	8600908	O RING	6
08	8650104	BONDED SEAL	2
09	04.056.05	ADAPTOR TEE	1
10	10.004.22	HOSE 3/8" BSP ST X 90 1200	1
11	T5386	DUST CAP FEMALE	2
12	04.282.66	STUD	3
13	05.281.02	FLAT WASHER	3
14	05.287.02	SELF LOCKING NUT	3
15	06.418.06	CLAMP PLATE	3
16	06.430.07	CLAMP – HOSE	6
17	05.264.17	SETSCREW	1
18	30.058.66	CABLE CLIP	17
19	47069.87	HOSE STAY BRACKET	1
20	47069.90	HOSE SUPPORT BRACKET	1

Tighten wheel nuts to 96ft.lbs (130Nm)



REF	PART NO	DESCRIPTION	QTY
77.500.11	WHEELS, HUBS AND AXLES		
01	46992.08	CENTRE AXLE	1
01	0212609	BOLT	2
01	05.296.08	SELF LOCKING NUT	2
02	46992.07	L.H. WING AXLE	1
02	0212569	BOLT	1
02	05.255.40	BOLT	1
02	05.296.08	SELF LOCKING NUT	2
03	46992.06	R.H. WING AXLE	1
03	0212569	BOLT	1
03	05.255.40	BOLT	1
03	05.296.08	SELF LOCKING NUT	2
04	46992.22	TWIN STUB AXLE ASSEMBLY	2
04	05.292.45	BOLT	8
04	05.287.05	SELF LOCKING NUT	8
05	46992.23	SINGLE STUB AXLE ASSEMBLY	2
05	05.292.45	BOLT	8
05	05.287.05	SELF LOCKING NUT	8
06	1048038AP	WHEEL AND TYRE ASSEMBLY – Standard Type	6
	48237.03	WHEEL AND TYRE ASSEMBLY – Foam Filled Type	6
07	00763449	CONTROL ROD ASSEMBLY	2
07	05.255.38	BOLT	4
08	45184.01	SPACER TUBE	4
09	1048010	SPACER	4
10	45410.02	CHOCK L.H. <i>N/I</i>	1
10	05.964.01	SPRING COTTER	1
11	45410.01	CHOCK R.H. <i>N/I</i>	1
11	05.964.01	SPRING COTTER	1

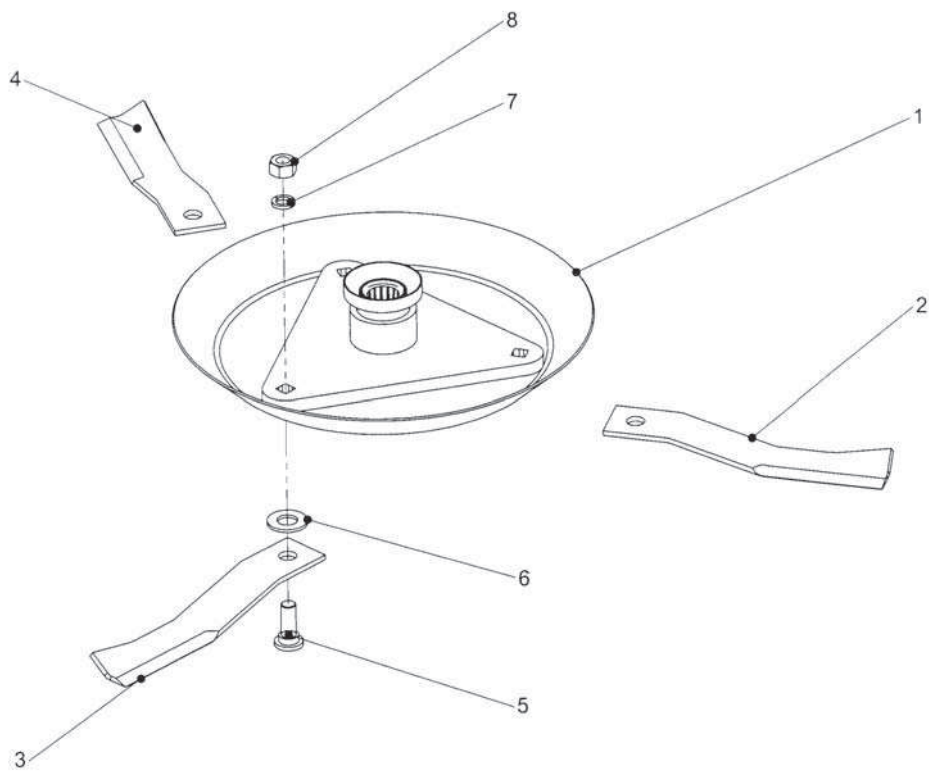
N/I = NOT ILLUSTRATED



Tighten wheel nuts to 96ft.lbs (130Nm)

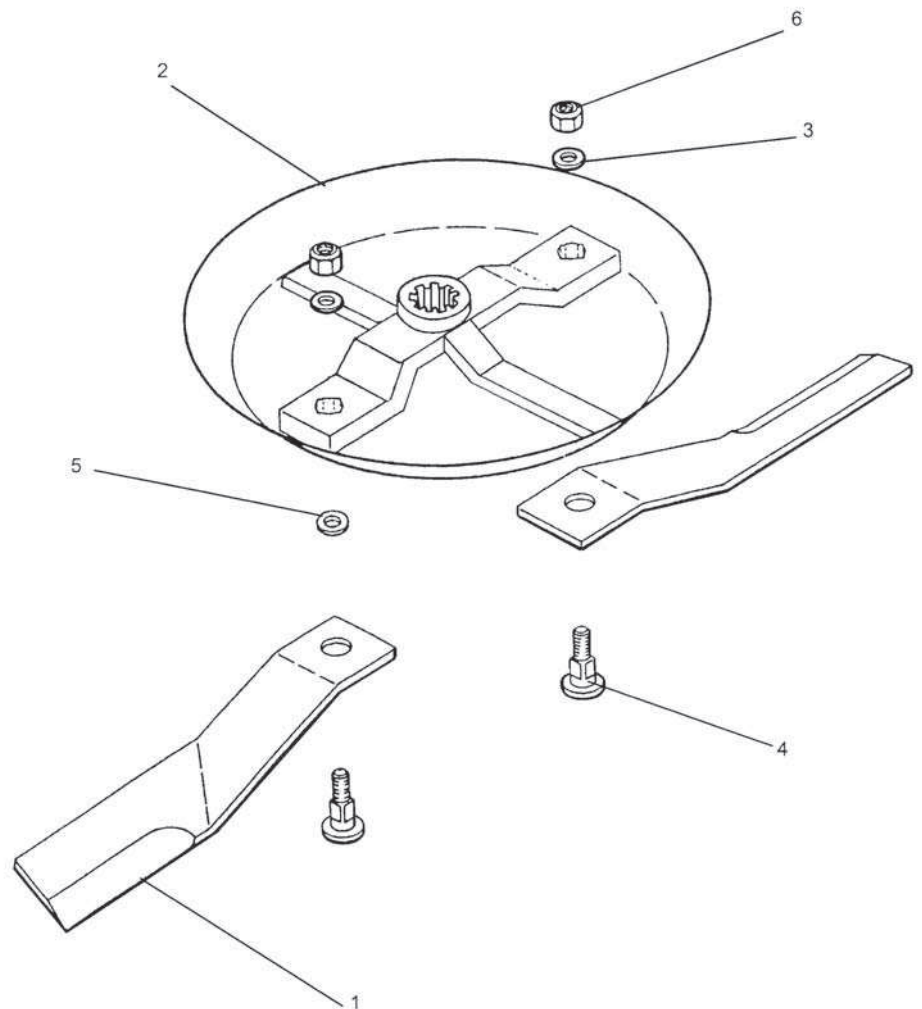
REF.	QTY.	PART No.	DESCRIPTION
		1058522	8 WHEEL CONVERSION KIT
1	2	46992.22	TWIN HUB (<i>includes Wheel Nuts</i>)
2	2	1048038AP	WHEEL ASSEMBLY

This page is intentionally blank

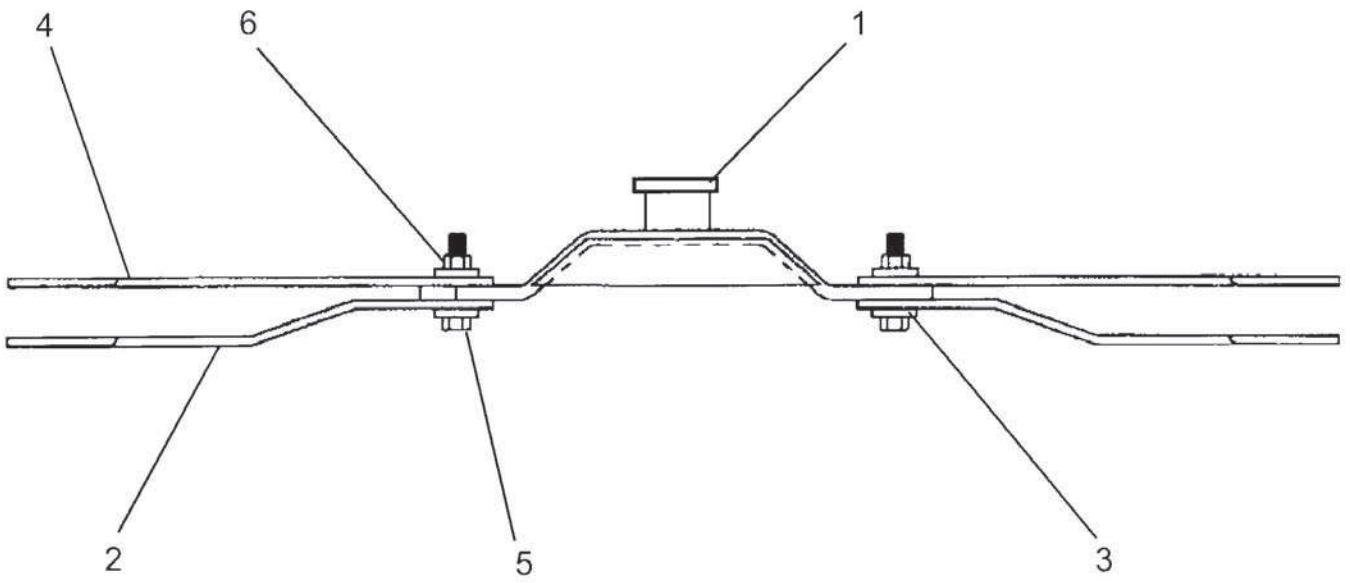


3 BLADE ASSY

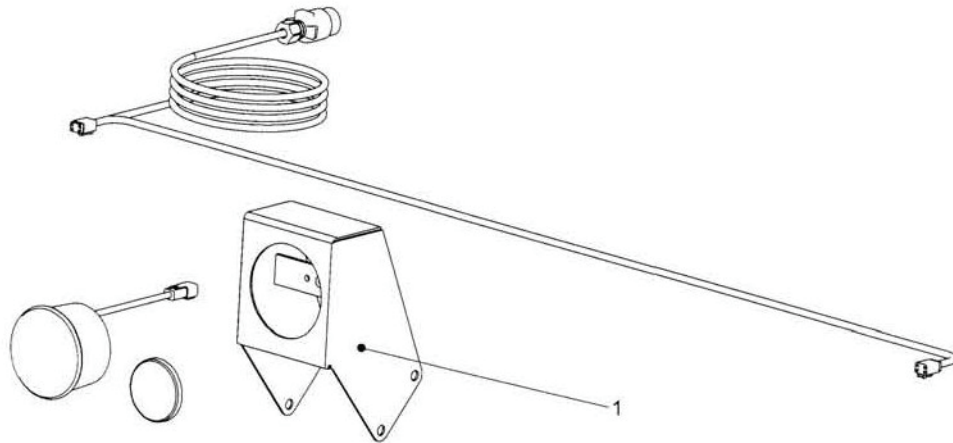
2 BLADE ASSY



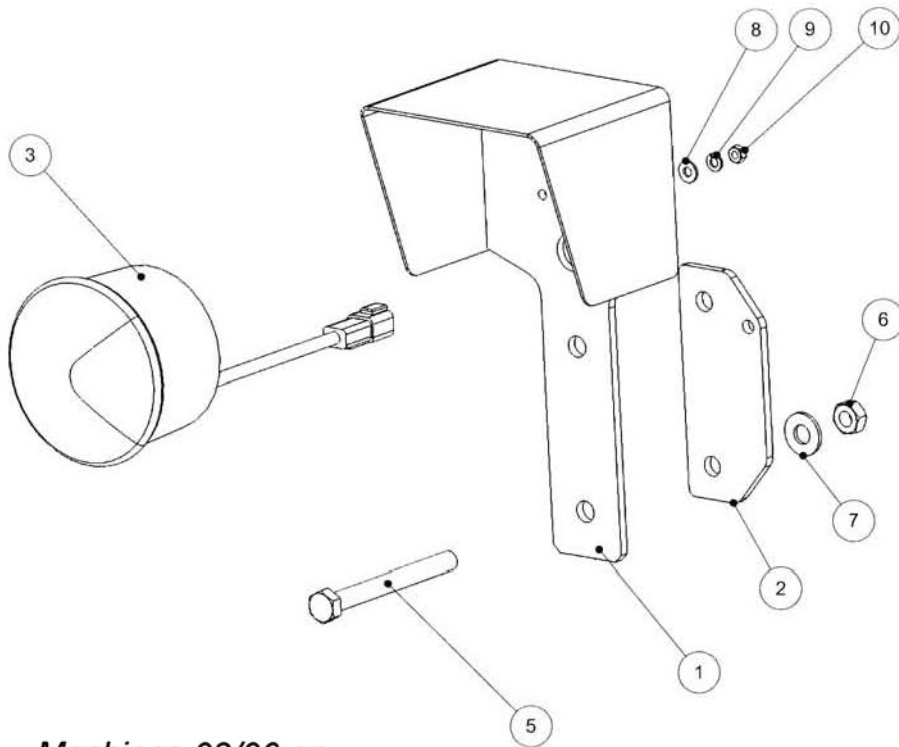
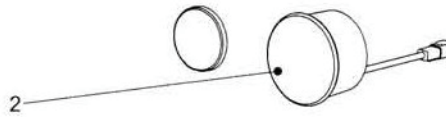
REF	PART NO	DESCRIPTION	QTY
77.500.22	3 BLADE PAN AND BLADES		
01	46992.25	3 BLADED PAN ASSEMBLY	3
02	00764663P	BLADE C/W	1
03	00764664P	BLADE AC/W	1
04	00764668P	BLADE AC/W	1
05	571044	BOLT	9
06	571045	WASHER – SHOLDER BOLT	9
07	0656150200	WASHER	9
08	5GL16140	LOCKNUT	9
1048509	2 BLADE PAN AND BLADES		
01	00764663P	BLADE C/W – WING LH	2
01	00764664P	BLADE AC/W – WING RH	2
01	00764668P	BLADE AC/W - CENTRE.	2
02	00771591P	2 BLADE PAN	3
03	0656150200	WASHER	6
04	571044	BOLT	6
05	571045	WASHER - SHOULDER BOLT	6
06	5GL16140	LOCK NUT	6



<u>REF</u>	<u>PART NO</u>	<u>DESCRIPTION</u>	<u>QTY</u>
1048265		SHREDDER BLADE ASSEMBLY	
01	00771594	BLADE BAR	3
02	8588	BLADES PAIR CENTRE	2
02	8589	BLADES PAIR WING LH	2
02	8590	BLADES PAIR WING RH	2
03	00763253	BLADE BUSHING	12
04	8279	TOP BLADE (WING)	4
04	8280	TOP BLADE (CENTRE)	2
05	7AH8141436	BOLT	6
06	00750226	LOCKNUT	6



Machines to 02/06



Machines 03/06 on

REF	PART NO	DESCRIPTION	QTY
77.500.15	LIGHT BRACKET AND LIGHT KIT (Machines to 02/06)		
01	46948.09	LIGHT MOUNTING BRACKET	2
01	05.291.12	BOLT	8
02	45662.10	LIGHT KIT	1
77.500.15	LIGHT BRACKET AND LIGHT KIT (Machines 03/06 on)		
01	47454.01	LIGHT BRACKET	2
02	46454.02	CLAMP PLATE	2
02	45326.01	LIGHT UNIT	2
04	45646.01	WIRING LOOM	1
05	05.292.25	BOLT	4
06	05.287.03	SELF-LOCKING NUT	4
07	05.281.03	FLAT WASHER	4
08	05.281.10	FLAT WASHER	4
09	05.282.07	SPRING WASHER	4
10	05.286.10	NUT	4
77.600.34	LIGHT BRACKET AND LIGHT KIT (Not illustrated)		
01	47454.05	LIGHT BRACKET	2
02	45326.01	LIGHT UNIT	2
03	45656.06	WIRING LOOM	1
04	05.291.12	BOLT	4
05	05.287.02	SELF-LOCKING NUT	4
06	05.281.02	FLAT WASHER	4
07	21151.01	D CLIP	6
08	30.058.66	CABLE CLIP	8

REF	PART NO	DESCRIPTION	QTY
1048511		LIST OF SAFETY DECALS	
01	09.810.01	DECAL-GREASE (8 HOURS)	4
02	09.810.02	DECAL-GREASE (40 HOURS)	4
03	09.810.05	DECAL - OIL LEVEL	3
04	09.811.05	DECAL - MAX PTO SPEED 1000 ACW	1
05	09.821.29	COMBINED EURO DECAL	1
06	09.821.30	COMBINED EURO DECAL	1
05	09.821.34	COMBINED EURO DECAL	1
14	09.843.07	DECAL - LIFT POINT 2000 KG	4
18	00763613	DECAL - SLIP CLUTCH ADJUSTMENT	1
19	D137	DECAL - BLADE CCW ROTATION	2
25	05.227.01	HAMMER DRIVE SCREW NO.6X3/8"	2
25	1335246	SERIAL NO. PLATE	1
26	D102	DECAL - PTO 5FT TO HITCH	1
27	D138	DECAL - BLADE CW ROTATION	1
28	7560093	ADHESIVE REFLECTOR	4
29	21175.01	DECAL - SET SLIP CLUTCH	1
30	21175.02	DECAL - CLUTCH SETTING	1
1048527		LIST OF SAFETY DECALS	
01	09.810.01	DECAL-GREASE (8 HOURS)	4
02	09.810.02	DECAL-GREASE (40 HOURS)	4
03	09.810.05	DECAL - OIL LEVEL	3
04	09.811.06	DECAL - MAX PTO SPEED 1000 ACW	1
05	09.821.29	COMBINED EURO DECAL	1
06	09.821.30	COMBINED EURO DECAL	1
05	09.821.34	COMBINED EURO DECAL	1
14	09.843.07	DECAL - LIFT POINT 2000 KG	4
18	00763613	DECAL - SLIP CLUTCH ADJUSTMENT	1
19	D137	DECAL - BLADE CCW ROTATION	2
25	05.227.01	HAMMER DRIVE SCREW NO.6X3/8"	2
25	1335246	SERIAL NO. PLATE	1
26	D102	DECAL - PTO 5FT TO HITCH	1
27	D138	DECAL - BLADE CW ROTATION	1
28	7560093	ADHESIVE REFLECTOR	4
29	21175.01	DECAL - SET SLIP CLUTCH	1
30	21175.02	DECAL - CLUTCH SETTING	1

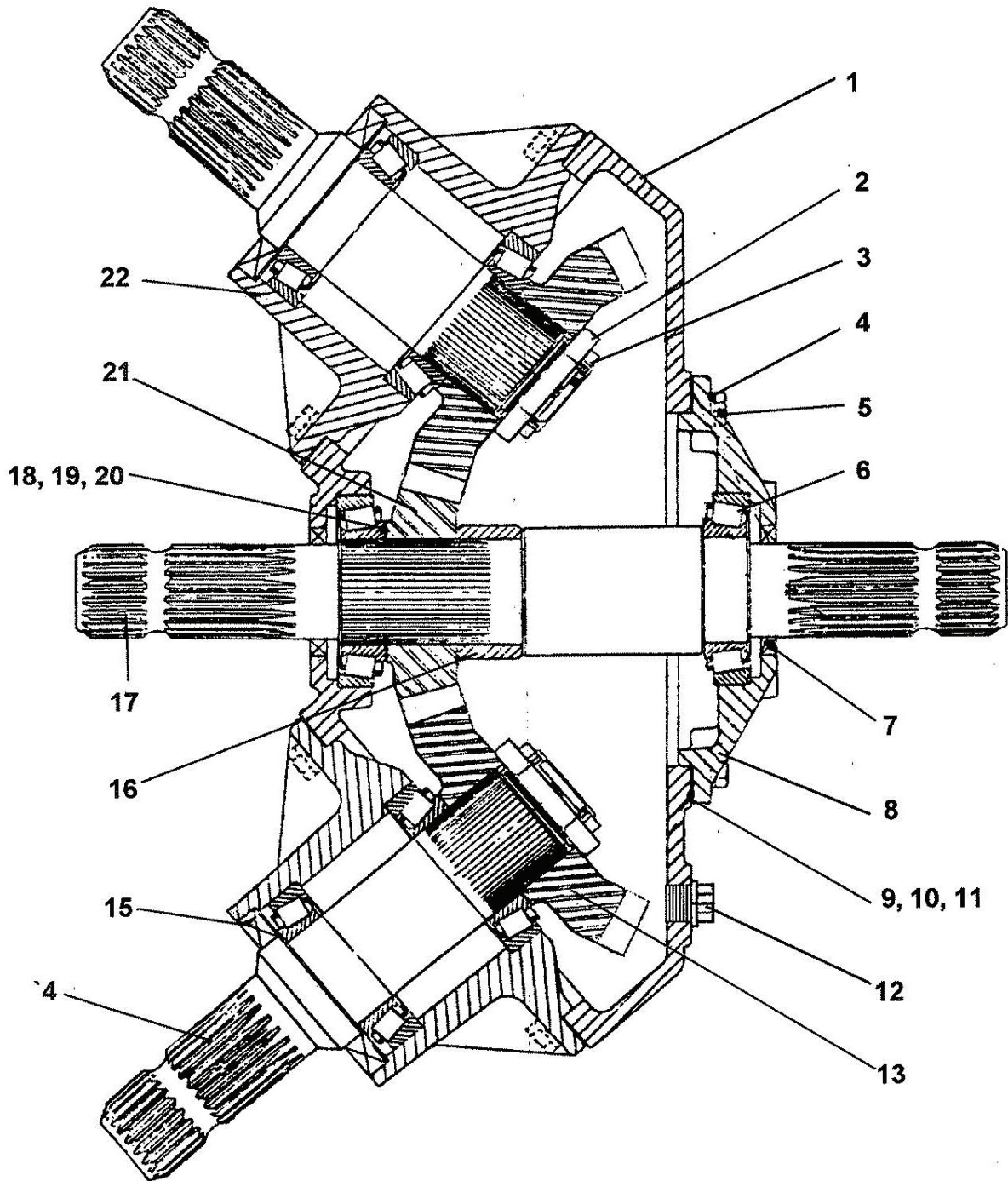


McConnel Limited, Temeside Works, Ludlow, Shropshire SY8 1JL. England.
Telephone: 01584 873131. Facsimile: 01584 876463. www.mcconnel.com

DIVIDER GEARBOX ASSEMBLY

Module(s): 00769116P

McCONNEL



DIVIDER GEARBOX ASSEMBLY

McCONNEL

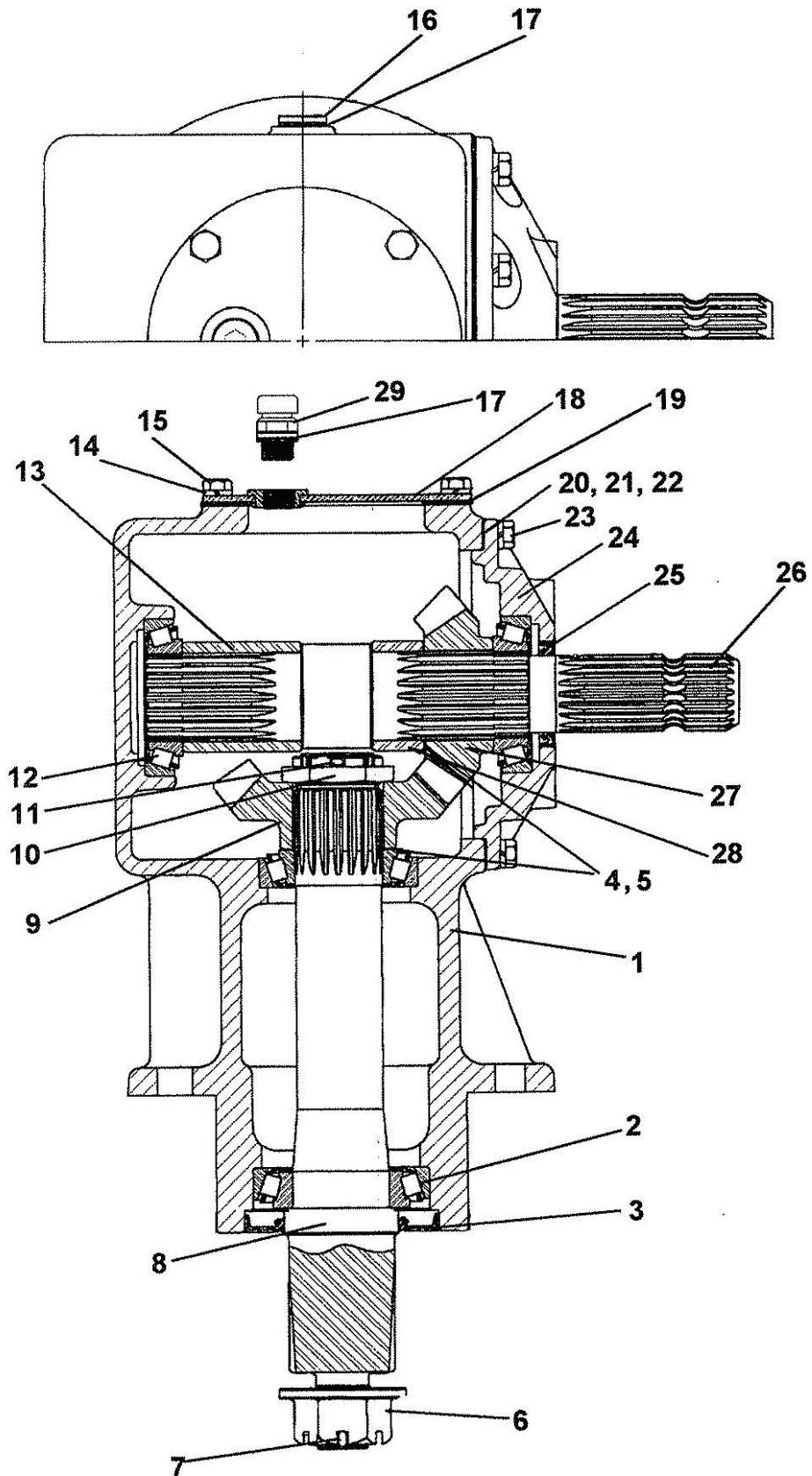
Module(s): 00769116P

REF.	QTY.	PART No.	DESCRIPTION
		00769116P	DIVIDER GEARBOX ASSEMBLY
1	1	00769162	HOUSING
2	2	00762121	BEARING ADJUSTER NUT
3	2	00026200	COTTER PIN
4	24	00755954	LOCKWASHER
5	24	00758659	CAP SCREW
6	6	00755628	BEARING
7	2	00758653	SEAL
8	1	00762128	INPUT CAP
9	<i>as req'd</i>	00758646	GASKET (0.1)
10	<i>as req'd</i>	00758647	GASKET (0.25)
11	<i>as req'd</i>	00758648	GASKET (0.5)
12	1	00762123	PLUG
13	2	00769159	GEAR (26 TOOTH)
14	2	00762522	HORIZONTAL OUTPUT SHAFT
15	2	00762521	SEAL
16	1	00758657	SPACER
17	1	00769163	INPUT SHAFT
18	<i>as req'd</i>	00758667	SHIM
19	<i>as req'd</i>	00758666	SHIM
20	<i>as req'd</i>	00758668	SHIM
21	1	00769158	GEAR (20 TOOTH)
22	2	00762520	HORIZONTAL HUB CAP
23	1	00762114	PIPE PLUG - VENTED (<i>not shown</i>)

Module(s): 00769918P, 00769924P

LEFT WING - 00769918P
CCW INPUT - CW OUTPUT

CENTRE SECTION - 00769924P
CW INPUT - CCW OUTPUT



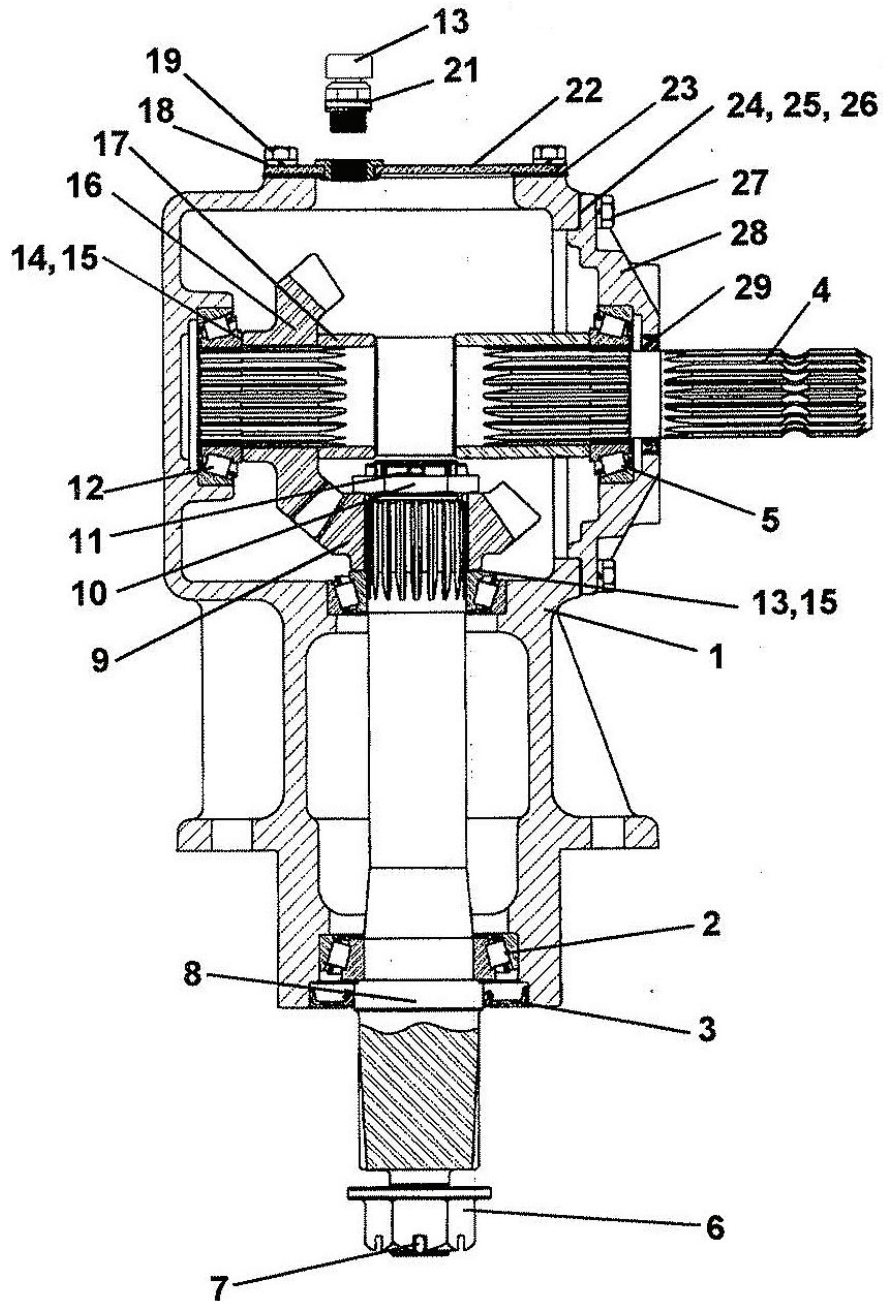
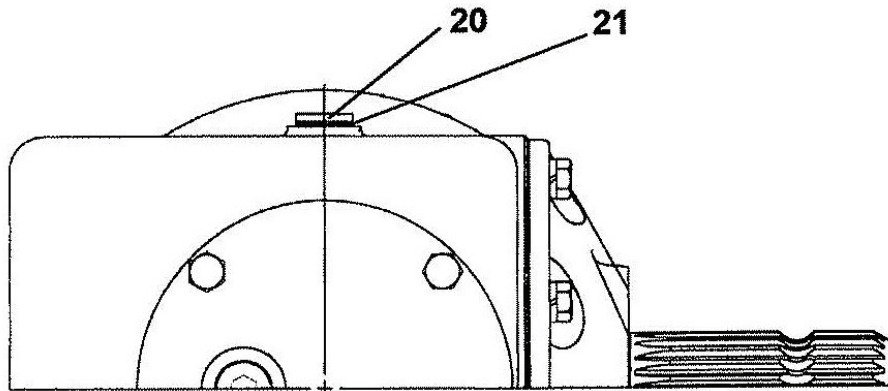
GEARBOXES – LEFT WING & CENTRE DECK

McCONNEL

Module(s): 00769918P, 00769924P

REF.	QTY.	PART No.	DESCRIPTION
		00769918P	GEARBOX ASSEMBLY - L/H WING
		00769924P	GEARBOX ASSEMBLY - CENTRE DECK
1	1	00770724	HOUSING
2	1	00770725	BEARING ASSEMBLY
3	1	00770726	OIL SEAL
4	<i>as req'd</i>	00758667	SHIM (0.30)
5	<i>as req'd</i>	00758668	SHIM (0.50)
6	1	00771226	FLANGE NUT (SLOTTED)
7	1	01422502	COTTER PIN
8	1	00770728	VERTICLE OUTPUT SHAFT
9	1	00770738	GEAR (14 TOOTH) Gearbox 00769918P
	1	00770739	GEAR (17 TOOTH) Gearbox 00769924P
10	1	00762121	NUT
11	1	00606000	COTTER PIN
12	3	00755628	BEARING ASSEMBLY
13	1	00770731	INPUT SHAFT SPACER
14	12	00766083	LOCKWASHER
15	4	00754338	BOLT
16	1	00762517	PLUG - SOCKET HEAD
17	2	00769321	SEALING WASHER
18	1	00770732	INSPECTION COVER
19	1	00770733	INSPECTION COVER GASKET
20	<i>as req'd</i>	00758646	SHIM (0.10)
21	<i>as req'd</i>	00758647	SHIM (0.25)
22	<i>as req'd</i>	00758648	SHIM (0.50)
23	8	00765905	BOLT
24	1	00770734	INPUT CAP
25	1	00758653	SEAL
26	1	00770735	INPUT SHAFT
27	1	00770739	GEAR (17 TOOTH) Gearbox 00769924P
	1	00770738	GEAR (14 TOOTH) Gearbox 00769918P
28	1	00758657	INPUT SHAFT SPACER
29	1	00762114	PRESSURE RELIEF VALVE
		00769918P	GEARBOX: CCW INPUT / CW OUTPUT
		00769924P	GEARBOX: CW INPUT / CCW OUTPUT

**RIGHT WING - 00769921P
CW INPUT - CW OUTPUT**



GEARBOX ASSEMBLY – RIGHT WING

McCONNEL

Module(s): 00769921P

REF.	QTY.	PART No.	DESCRIPTION
		00769921P	GEARBOX ASSEMBLY - R/H WING
1	1	00770724	HOUSING
2	1	00770725	BEARING ASSEMBLY
3	1	00770726	OIL SEAL
4	1	00770735	INPUT SHAFT
5	1	00770731	INPUT SHAFT SPACER
6	1	00771226	FLANGE NUT (SLOTTED)
7	1	01422502	COTTER PIN
8	1	00770728	VERTICLE OUTPUT SHAFT
9	1	00770738	GEAR (14 TOOTH)
10	1	00762121	NUT
11	1	00606000	COTTER PIN
12	3	00755628	BEARING ASSEMBLY
13	1	00762114	PRESSURE RELIEF VALVE
14	<i>as req'd</i>	00758667	SHIM (0.30)
15	<i>as req'd</i>	00758668	SHIM (0.50)
16	1	00770739	GEAR (17 TOOTH)
17	1	00758657	INPUT SHAFT SPACER
18	12	00766083	LOCKWASHER
19	4	00754338	BOLT
20	1	00762517	PLUG - SOCKET HEAD
21	2	00769321	SEALING WASHER
22	1	00770732	INSPECTION COVER
23	1	00770733	INSPECTION COVER GASKET
24	<i>as req'd</i>	00758646	SHIM (0.10)
25	<i>as req'd</i>	00758647	SHIM (0.25)
26	<i>as req'd</i>	00758648	SHIM (0.50)
27	8	00765905	BOLT
28	1	00770734	INPUT CAP
29	1	00758653	SEAL
		00769921P	GEARBOX: CW INPUT / CCW OUTPUT

Module(s): 1048503, 1048519

REF.	QTY.	PART No.	DESCRIPTION
		1048503	WHEELS, HUBS & AXLES
1	1	45195.28	AXLE - R/H WING
2	1	45195.27	AXLE - L/H WING
3	1	45195.29	AXLE - CENTRE
4	6	1048073	HUB ASSEMBLY c/w BEARING
5	6	1048038AP	WHEEL & TYRE
6	2	763449	CONTROL ROD ASSEMBLY
7	4	1048010	SPACER
8	4	45184.01	SPACER TUBE
9	1	45410.01	CHOCK - R/H (NOT ILLUSTRATED)
10	1	45410.02	CHOCK - L/H (NOT ILLUSTRATED)
	2	212609	BOLT
	4	05.255.37	BOLT
	2	05.255.40	BOLT
	8	05.296.08	SELF-LOCKING NUT
	2	05.964.01	SPRING COTTER
		1048519	8 WHEEL CONVERSION KIT
11	2	45195.62	CONVERSION AXLE
	2	1048073	HUB ASSEMBLY
	2	1048038AP	WHEEL & TYRE
	2	9213166	BOLT
	2	9143006	CLEVELOK NUT

NOTE:

It is recommended that the conversion axles are welded into the sockets provided on the standard axle fabrications.