

# **PARTS MANUAL**

**FOR**

**SERIAL NO: M1958332**

**PRINTED ON 04 MAR 2020**

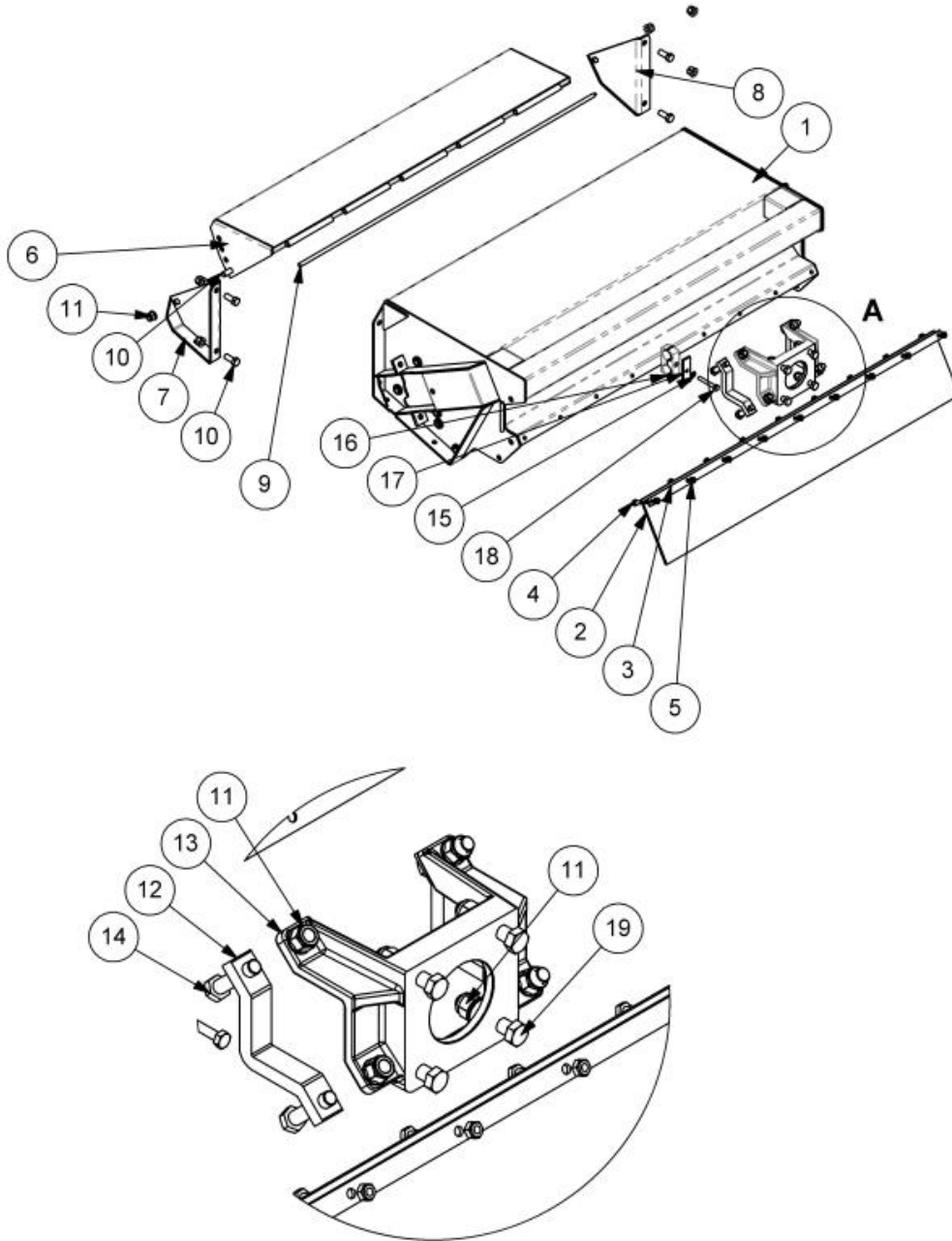
# 21523.08 - ROLLER ASSY



Ref	Part No	Description	QTY
1	21394.03	ROLLER	1
2	21394.32	CAP	2
3	21524.12	BRACKET	1
4	21524.13	BRACKET	1
5	0600111	BEARING	4
6	21523.31	SPACER	2
7	0402240	RING	2
8	9343105	SCREW	6
9	9200031	BOLT	4
10	9100024	NUT	4

<b>Ref</b>	<b>Part No</b>	<b>Description</b>	<b>QTY</b>
11	0901121	GREASER	2
12	0401230	CIRCLIP	2
13	8629239	SEAL	2
14	42257.10	SHIM	2

# 22494.05 - 1.2M DD FHEAD MODULE

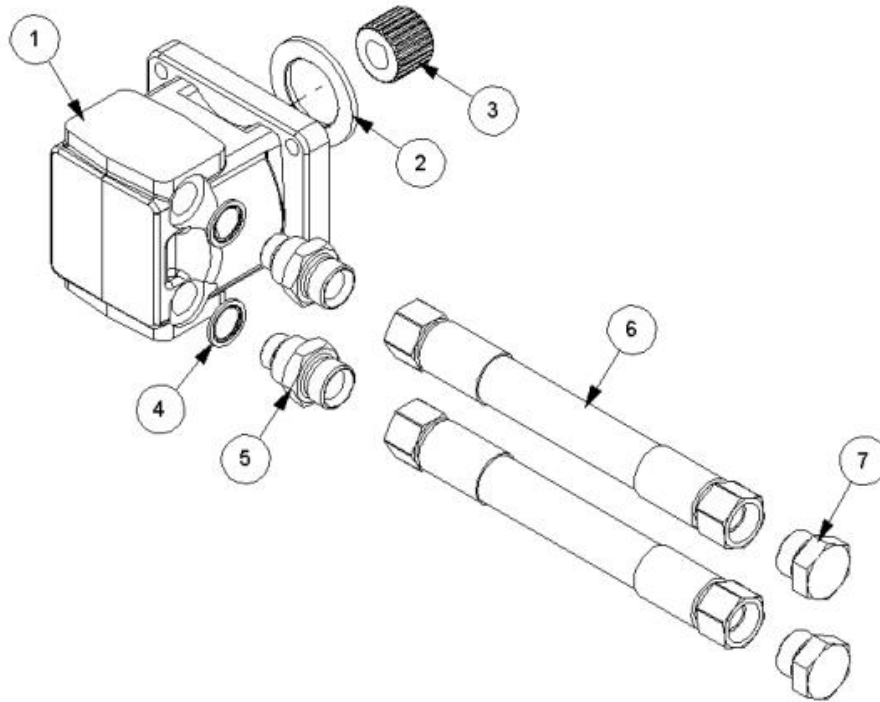


DETAIL A  
SCALE 1 : 6

Ref	Part No	Description	QTY
1	41685.01	CASING	1
2	7190314	FLAP	1
3	7190313	PLATE	1
4	9313065	SCREW	9
5	9163005	NUT	9
6	41695.02	FRONT HOOD	1
7	7290388	BRACKET - LH	1

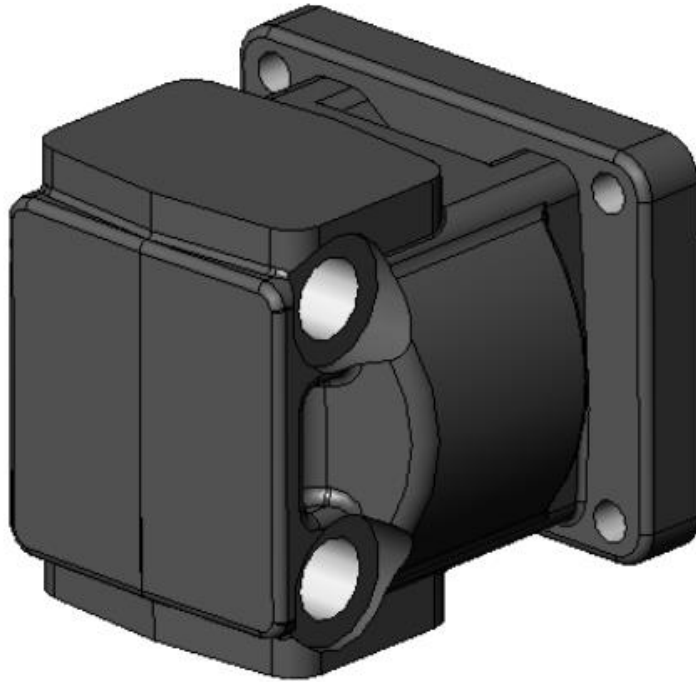
Ref	Part No	Description	QTY
8	7290387	BRACKET - RH	1
9	41700.01	PIN	1
10	30.073.25	BOLT	6
11	9100024	NUT	14
12	7198332	CLAMP	2
13	22748.01	BRACKET	1
14	12.714.75	BOLT	4
15	9100205	WASHER	1
16	7193063	CLAMP	1
17	06.418.05	PLATE	1
18	9213155	BOLT	1
19	9210167	BOLT	4

# 22495.06 - 100LPM DRIVE MODULE



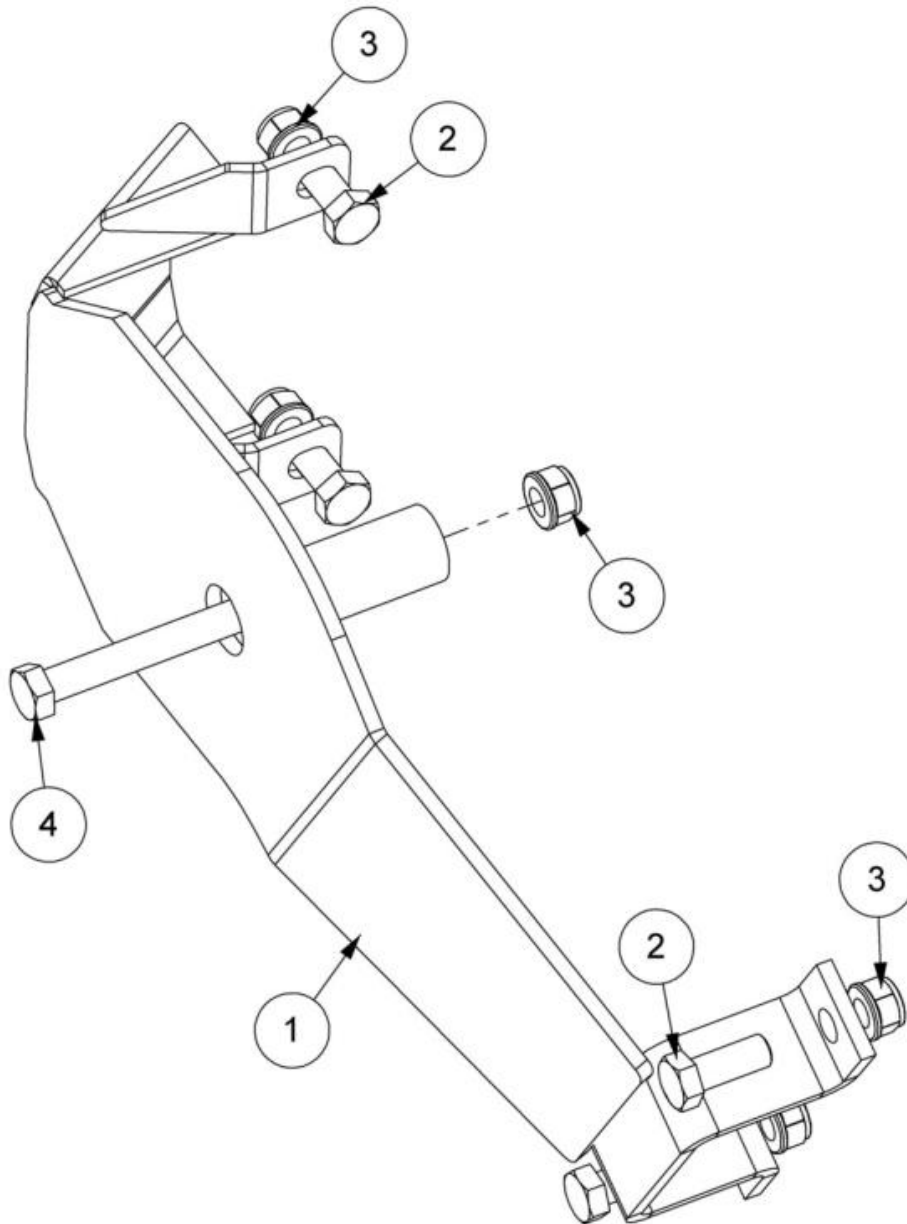
Ref	Part No	Description	QTY
1	<b>8301302</b>	MOTOR - 54 HP	1
2	7190015	WASHER	1
3	43390.02	USE 7190584	1
4	8650106	SEAL	2
5	8581295	ADAPTOR	2
6	8501254	HOSE	2
7	05.433.03	ADAPTOR	2

# 8301302 - MOTOR - 54 HP



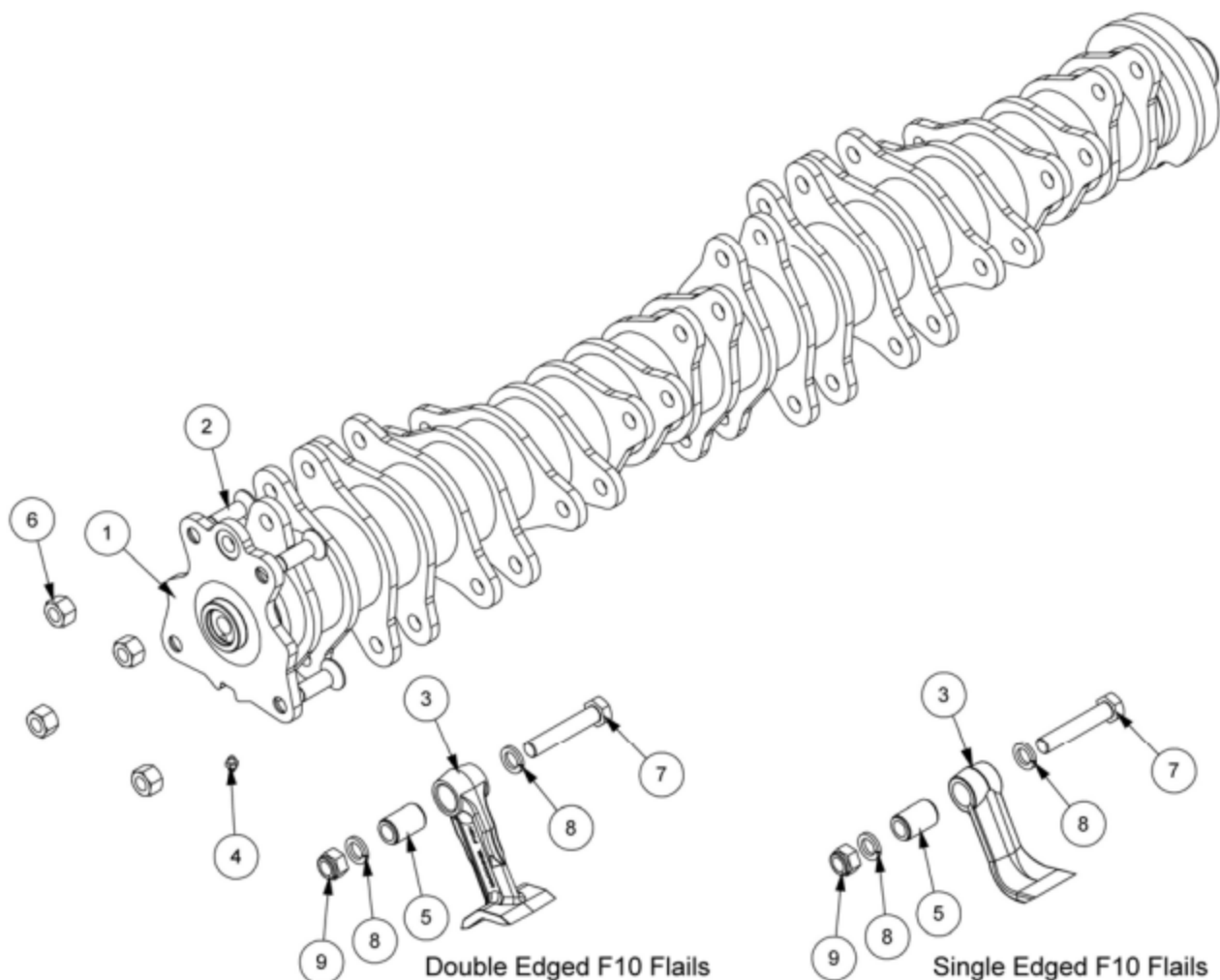
Ref	Part No	Description	QTY
1	8301010	KEY	1
1	8629209	SEAL	2
1	8699236	SEAL KIT	1
1	9100015	NUT	1

# 22496.03 - LH MOTOR COVER MOD



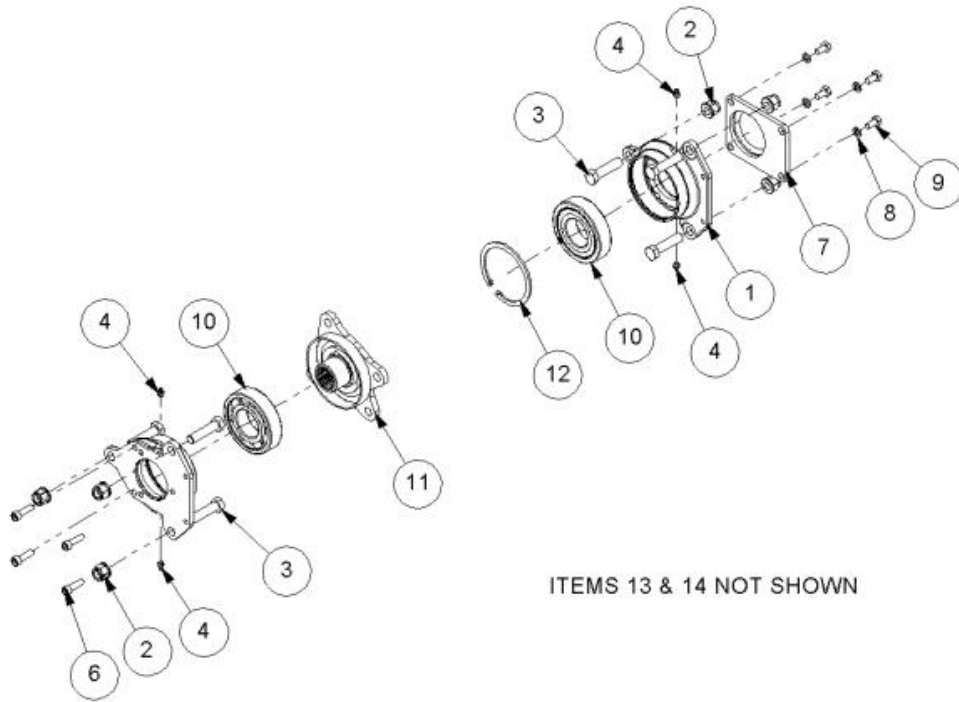
Ref	Part No	Description	QTY
1	42282.03	COVER - LH	1
2	9200028	BOLT	4
3	9100024	NUT	4
4	9200034	BOLT	1
5	T7942	NUT	1





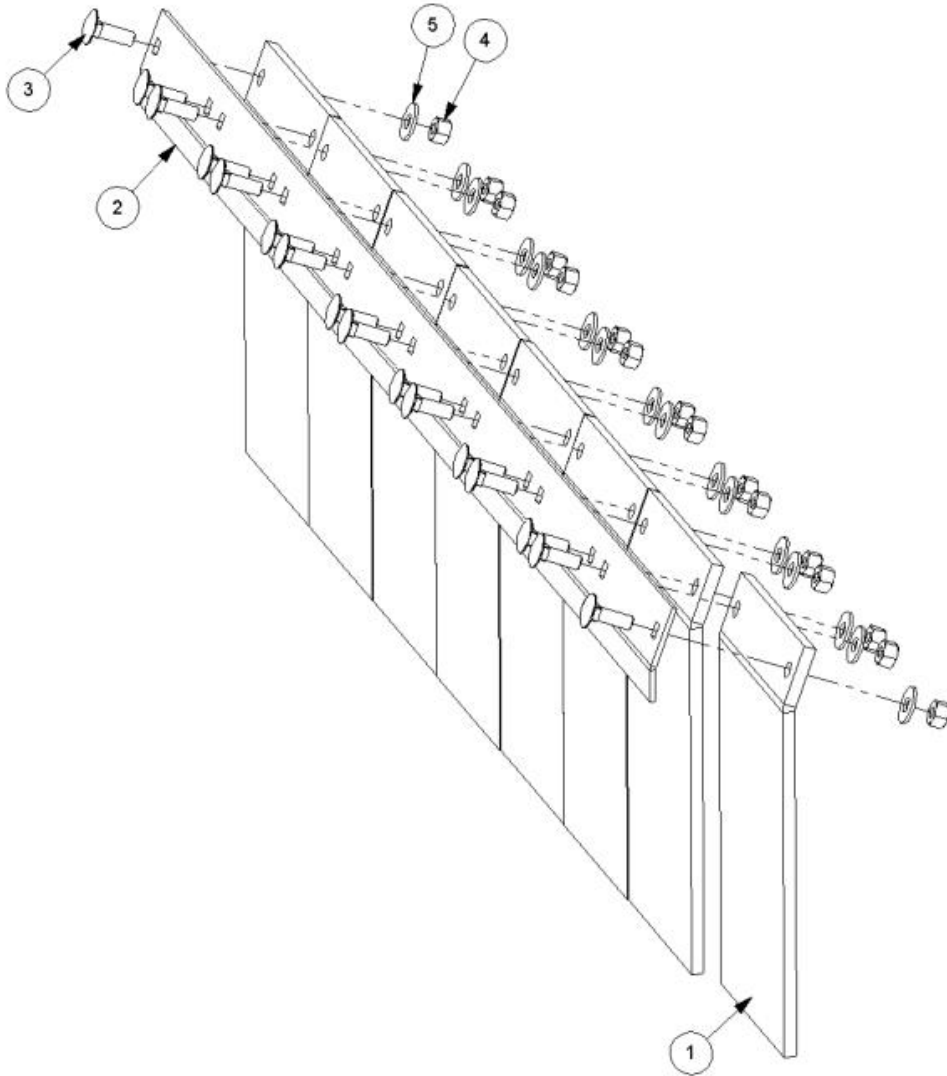
REF.	QTY.	PART No.	DESCRIPTION
		<b>22497.01</b>	<b>1.2M QUAD DRIVE ROTOR (F10DE FLAILS)</b>
		<b>22497.02</b>	<b>1.2M QUAD DRIVE ROTOR (F10SE FLAILS)</b>
1	1	22269.01	ROTOR - 1.2M QUAD DRIVE
2	4	9353097	CAPSCREW
3	24	7314366D	F10H DOUBLE EDGED FLAIL (CAST)
	24	7390276	F10 SINGLE EDGED FLAIL (CAST)
4	1	0901161	GREASE NIPPLE
5	24	7314223	FLAIL PIVOT BUSH (NARROW)
6	4	9143007	SELF-LOCKING NUT
7	24	7314201	SPECIAL BOLT (UNF)
8	48	0100206	SPRING WASHER
9	24	0141006	CLEVELOC NUT (UNF)

# 22498.03 - QUAD DRIVE MODULE



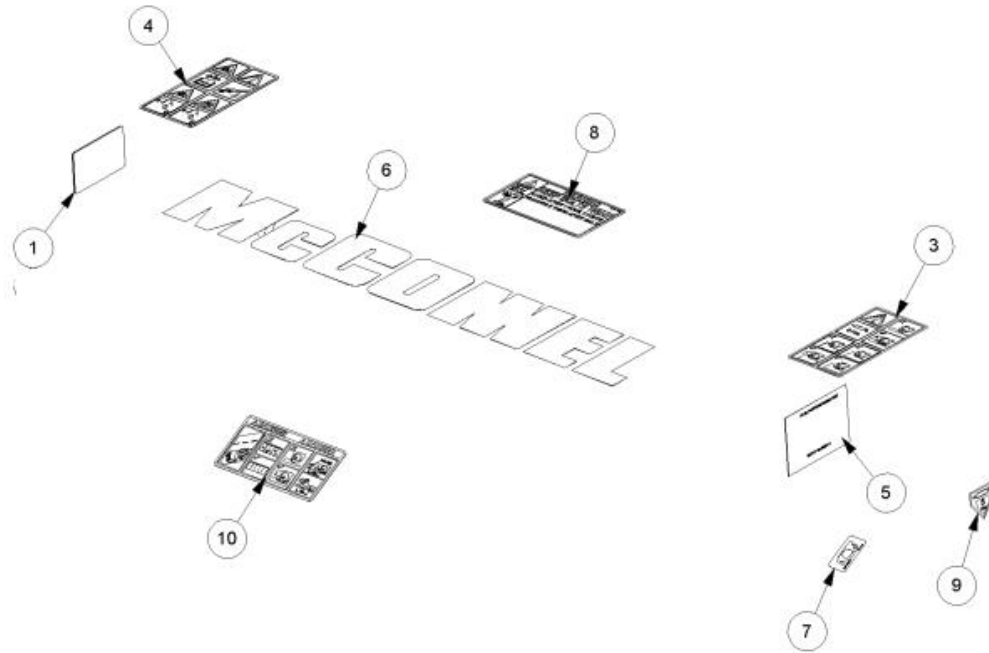
Ref	Part No	Description	QTY
1	7190261	BEARING HOUSING	2
2	9100024	NUT	6
3	9200024	BOLT	6
4	0901121	GREASER	4
6	9300144	SCREW	4
7	7190292	PLATE	1
8	9100205	WASHER	4
9	9313045	SCREW	4
10	0600018	BEARING - ROTOR	2
11	22269.02	HUB	1
12	7190022	CIRCLIP	1
13	8121043	SPACER	5
14	8121044	SPACER	5

# 7290375 - USE 7290375 FOR SPARES



Ref	Part No	Description	QTY
1	7290053	FLAP	8
2	7190304	STRIP	1
3	9293054	BOLT	16
4	9163004	NUT	16
5	9100104	WASHER	16

# 7350707 - STICKER KIT



Ref	Part No	Description	QTY
1	1335246	SERIAL No. PLATE	1
2	7103230	RIVET	4
3	1290738	DECAL	1
4	09.821.35	DECAL	1
5	1290392	DECAL	1
6	1290527	DECAL	1
7	21917.02	DECAL	1
8	1291045	DECAL	1
9	09.810.01	DECAL	2
10	1291231	DECAL	1