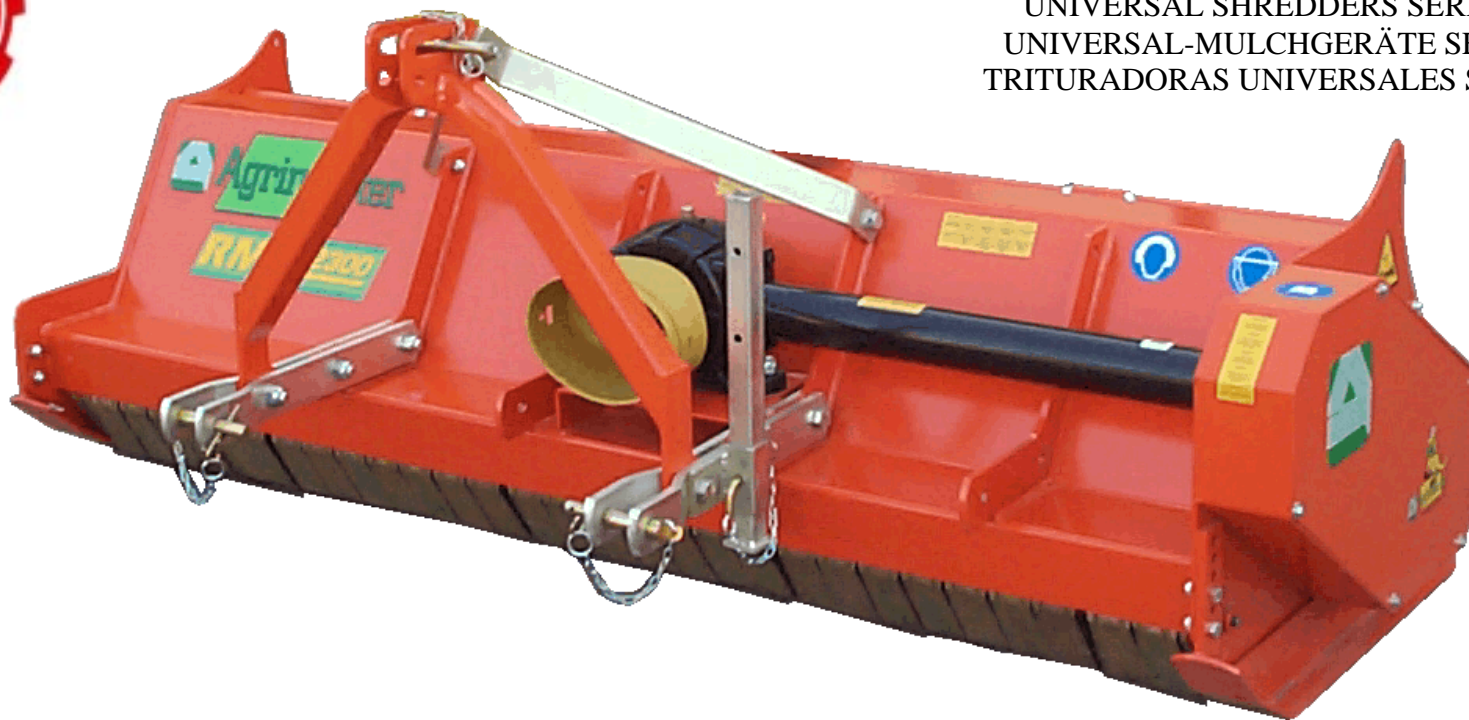




TRINCIATRICI UNIVERSALI SERIE "RMU"

BROYEURS UNIVERSELS SÉRIE "RMU"
UNIVERSAL SHREDDERS SERIES "RMU"
UNIVERSAL-MULCHGERÄTE SERIE "RMU"
TRITURADORAS UNIVERSALES SERIE "RMU"



CATALOGO PARTI DI RICAMBIO
SPARE PARTS CATALOGUE
CATALOGUE PIÈCES DE RECHANGE
ERSATZTEILLISTE
CATÁLOGO PARTES DE REQUESTO

1250

1400

1600

2000

2300

2600

per ordinare i pezzi di ricambio

Per una corretta ordinazione dei pezzi di ricambio è necessario indicare i seguenti elementi:

- 1) Modello della macchina,
 - 2) Numero di catalogo,
 - 3) Codice del ricambio,
 - 4) Quantità richiesta.
-

pour commander les pièces de rechange

Pour commander les pièces de rechange il faut indiquer:

- 1) Modèle de la machine,
 - 2) Nombre du catalogue,
 - 3) Code de la pièce de rechange,
 - 4) Quantité demandé.
-

to order the spare parts

To order the spare parts correctly you must specify:

- 1) Model of the machine,
 - 2) Catalogue number,
 - 3) Spare part code number,
 - 4) Required quantity.
-

um die Ersatzteile zu bestellen

Für eine korrekte Bestellung der Ersatzteilen müssen die folgende Einzelheiten angegeben werden:

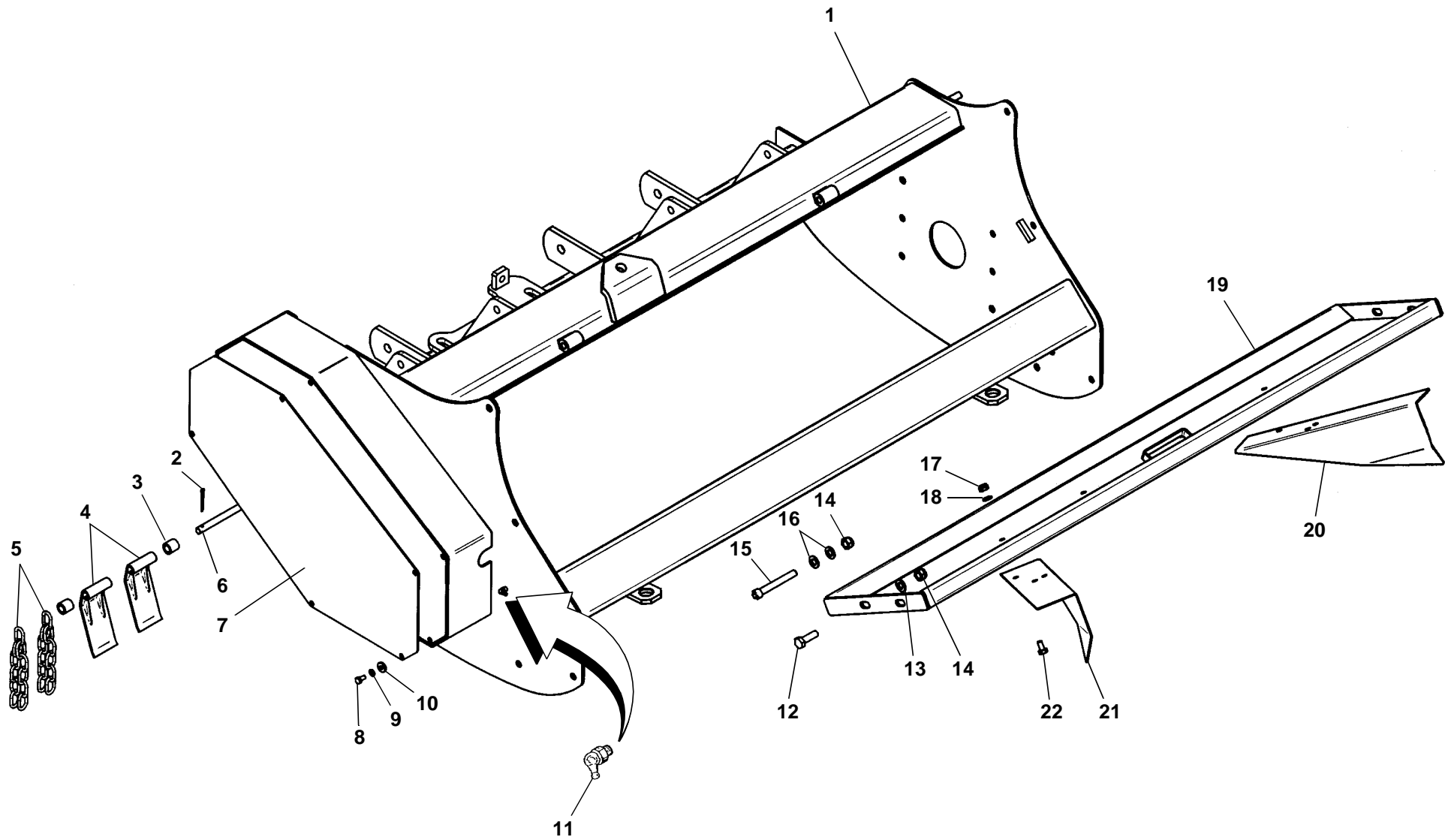
- 1) Gerät-Modell,
 - 2) Katalog-Nummer,
 - 3) Teil-Nummer,
 - 4) Gewünschte Menge.
-

para pedir las partes de requesto

Para pedir correctamente las partes de requesto se tiene que especificar:

- 1) Modelo de la máquina,
- 2) Número de catálogo,
- 3) Código de la parte de requesto,
- 4) Cantidad pedida.

TAV. 1068



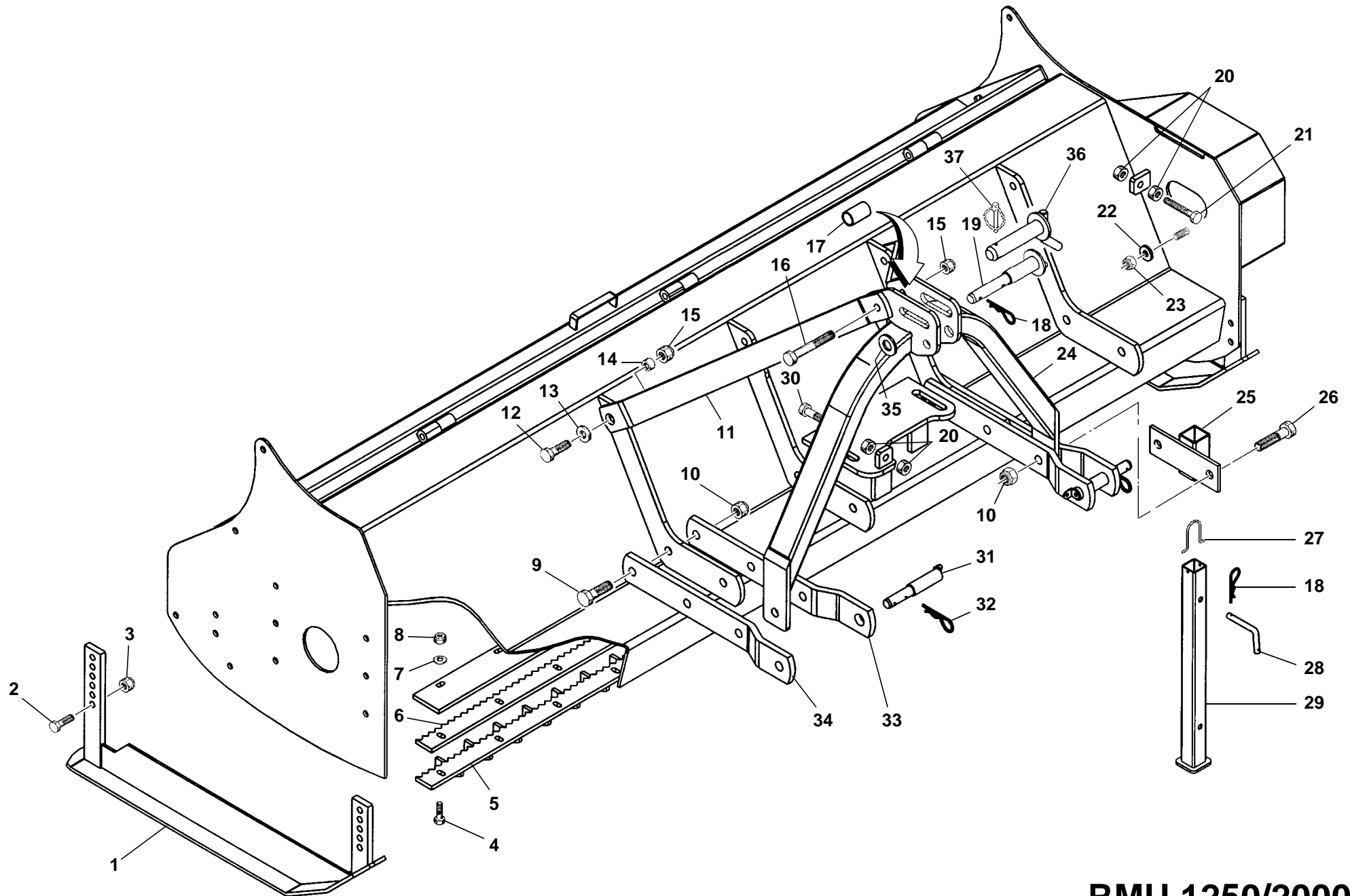
TAV. 1068

| RIF. | CODICE | DESCRIZIONE | N. |
|---------|---------|--|-------------------------|
| 1 | 3007521 | RMU 1250 | 1 |
| | 3007528 | RMU 1400 | 1 |
| | 3007407 | RMU 1600 | 1 |
| | 3007425 | RMU 2000 | 1 |
| | 3007416 | RMU 2300 | 1 |
| | 3007617 | RMU 2600 | 1 |
| | 3007618 | RMU 2600 con spostamento avec déport with displacement mit Verstellung con desplazamiento | 1 |
| | 2 | 1559028 | ø4,5x45 UNI1336 |
| 3 | 3001545 | RMU 1250 | 37 |
| | 3001545 | RMU 1400 | 43 |
| | 3001545 | RMU 1600 | 49 |
| | 3001545 | RMU 2000 | 60 |
| | 3001545 | RMU 2300 | 70 |
| | 3001545 | RMU 2600 | 78 |
| | 4 | 3005253 | L=35 RMU 1400-2000-2300 |
| 3000197 | | L=70 RMU 1250 | 16 |
| 3000197 | | L=70 RMU 1400 | 18 |
| 3000197 | | L=70 RMU 1600 | 21 |
| 3000197 | | L=70 RMU 2000 | 25 |
| 3000197 | | L=70 RMU 2300 | 30 |
| 3000197 | | L=70 RMU 2600 | 34 |
| 5 | | 3001927 | RMU 1250 |
| | 3001927 | RMU 1400 | 45 |
| | 3001927 | RMU 1600 | 51 |
| | 3001927 | RMU 2000 | 63 |
| | 3001927 | RMU 2300 | 74 |

| RIF. | CODICE | DESCRIZIONE | N. |
|------|---------|-------------------------------|----------|
| | 3001927 | RMU 2600 | 82 |
| 6 | 3000196 | RMU 1250 | 1 |
| | 3000772 | RMU 1400 | 1 |
| | 3000073 | RMU 1600 | 1 |
| | 3000074 | RMU 2000 | 1 |
| | 3000075 | RMU 2300 | 1 |
| | 3000167 | RMU 2600 | 1 |
| | 7 | 3007399 | |
| 8 | 1110804 | M8x16 UNI5739 | 4 |
| 9 | 1508150 | ø8 UNI6798A | 4 |
| 10 | 1309243 | ø8x24x3 UNI6593 | 4 |
| 11 | 0002661 | M10x1x90° | 1 |
| 12 | 1111414 | M14x40 UNI5739 | 2 |
| 13 | 3001118 | ø14,5x35x5 | 2 |
| | 1012414 | M14 UNI7474 RMU 1250/1600 | 4 |
| | 1012414 | M14 UNI7474 RMU 2000-2300 | 5 |
| 14 | 1012414 | M14 UNI7474 RMU 2600 | 6 |
| | 1121442 | M14x110 UNI5931 RMU 1250/1600 | 2 |
| | 1121442 | M14x110 UNI5931 RMU 2000-2300 | 3 |
| 15 | 1121442 | M14x110 UNI5931 RMU 2600 | 4 |
| | 1114000 | ø14 UNI6592 RMU 1250/1600 | 4 |
| | 1114000 | ø14 UNI6592 RMU 2000-2300 | 6 |
| 16 | 1114000 | ø14 UNI6592 RMU 2600 | 8 |
| | 1012410 | M10 UNI7474 RMU 1250/1600 | 8 |
| | 1012410 | M10 UNI7474 RMU 2000 | 12 |
| 17 | 1012410 | M10 UNI7474 RMU 2300-2600 | 16 |
| | 1110000 | ø10 UNI6592 RMU 1250/1600 | 8 |
| | 1110000 | ø10 UNI6592 RMU 2000 | 12 |
| 18 | 1110000 | ø10 UNI6592 RMU 2300-2600 | 16 |
| | 3007522 | RMU 1250 | 1 |
| | 19 | 3007522 | RMU 1250 |

| RIF. | CODICE | DESCRIZIONE | N. |
|------|---------|------------------------------|----|
| | 3007529 | RMU 1400 | 1 |
| | 3007410 | RMU 1600 | 1 |
| | 3007403 | RMU 2000 | 1 |
| | 3007417 | RMU 2300 | 1 |
| | 3007423 | RMU 2600 | 1 |
| 20 | 3000199 | Dx RMU 1250/1600 | 2 |
| | 3000199 | Dx RMU 2000 | 3 |
| | 3000199 | Dx RMU 2300-2600 | 4 |
| 21 | 3000176 | Sx RMU 1250/1600 | 2 |
| | 3000176 | Sx RMU 2000 | 3 |
| | 3000176 | Sx RMU 2300-2600 | 4 |
| 22 | 1111006 | M10x20 UNI5739 RMU 1250-1600 | 8 |
| | 1111006 | M10x20 UNI5739 RMU 2000 | 12 |
| | 1111006 | M10x20 UNI5739 RMU 2300-2600 | 16 |

TAV. 1069



RMU 1250/2000

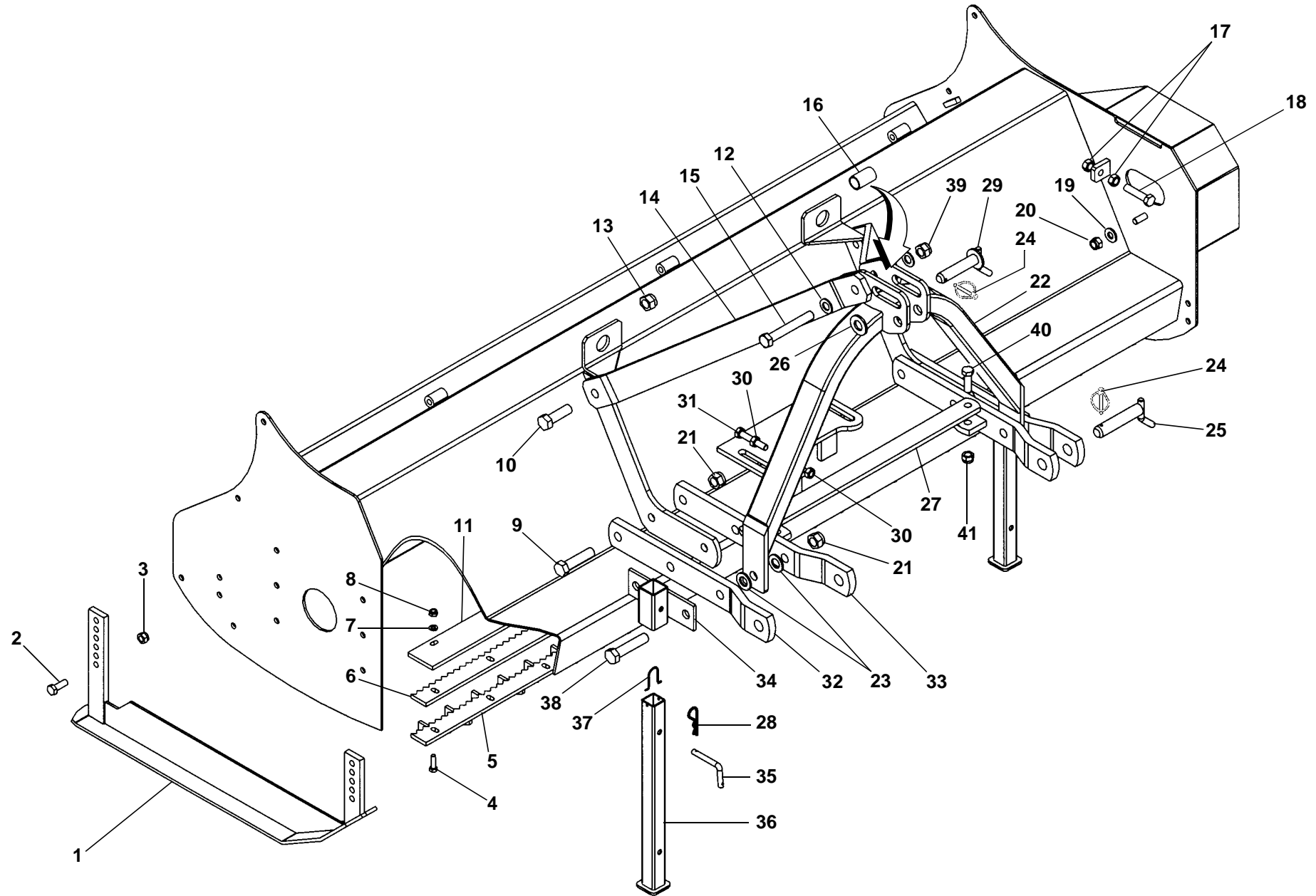
TAV. 1069

| RIF. | CODICE | DESCRIZIONE | N. |
|------|---------|-------------------------|----|
| 1 | 3000054 | | 2 |
| 2 | 1111414 | M14x40 UNI5739 | 8 |
| 3 | 1012414 | M14 UNI7474 | 8 |
| 4 | 1111010 | M10x30 UNI5739 RMU 1250 | 7 |
| | 1111010 | M10x30 UNI5739 RMU 1400 | 8 |
| | 1111010 | M10x30 UNI5739 RMU 1600 | 9 |
| | 1111010 | M10x30 UNI5739 RMU 2000 | 11 |
| 5 | 3001083 | RMU 1250 | 1 |
| | 3001052 | RMU 1400 | 1 |
| | 3001084 | RMU 1600 | 1 |
| | 3001085 | RMU 2000 | 1 |
| 6 | 3000201 | RMU 1250 | 1 |
| | 3000661 | RMU 1400 | 1 |
| | 3000067 | RMU 1600 | 1 |
| | 3000068 | RMU 2000 | 1 |
| 7 | 1110000 | ø10 UNI6592 RMU 1250 | 7 |
| | 1110000 | ø10 UNI6592 RMU 1400 | 8 |
| | 1110000 | ø10 UNI6592 RMU 1600 | 9 |
| | 1110000 | ø10 UNI6592 RMU 2000 | 11 |
| 8 | 1012410 | M10 UNI7474 RMU 1250 | 7 |
| | 1012410 | M10 UNI7474 RMU 1400 | 8 |
| | 1012410 | M10 UNI7474 RMU 1600 | 9 |
| | 1012410 | M10 UNI7474 RMU 2000 | 11 |
| 9 | 1102026 | M20x70 UNI5737 | 4 |
| 10 | 1012420 | M20 UNI7474 | 6 |
| 11 | 3000055 | | 4 |
| 12 | 1111618 | M16x50 UNI5739 | 2 |

| RIF. | CODICE | DESCRIZIONE | N. |
|------|---------|-----------------|----|
| 13 | 3001120 | ø16,5x35x5 | 2 |
| 14 | 3001800 | | 2 |
| 15 | 1012416 | M16 UNI7474 | 3 |
| 16 | 1101646 | M16x120 UNI5737 | 1 |
| 17 | 3007706 | | 1 |
| 18 | 0002115 | ø4 | 2 |
| 19 | 3000090 | | 1 |
| 20 | 1012514 | M14 UNI5588 | 4 |
| 21 | 1111430 | M14x80 UNI5739 | 1 |
| 22 | 3001118 | ø14,5x35x5 | 1 |
| 23 | 1012414 | M14 UNI7474 | 1 |
| 24 | 3007704 | | 1 |
| 25 | 3000742 | | 1 |
| 26 | 1102030 | M20x80 UNI5737 | 2 |
| 27 | 3007374 | | 1 |
| 28 | 3000088 | | 1 |
| 29 | 3000741 | | 1 |
| 30 | 1111426 | M14x70 UNI5739 | 1 |
| 31 | 3000089 | | 2 |
| 32 | 0002116 | ø5 | 2 |
| 33 | 3002111 | ø22,5 | 2 |
| 34 | 3002110 | ø28,5 | 2 |
| 35 | 1120000 | ø20 UNI6592 | 1 |
| | 3000178 | 25,5x50x5 | 1 |
| 36 | 3001508 | | 1 |
| 37 | 0002101 | ø9 | 1 |

| RIF. | CODICE | DESCRIZIONE | N. |
|------|--------|-------------|----|
| | | | |

TAV. 1070



RMU 2300-2600

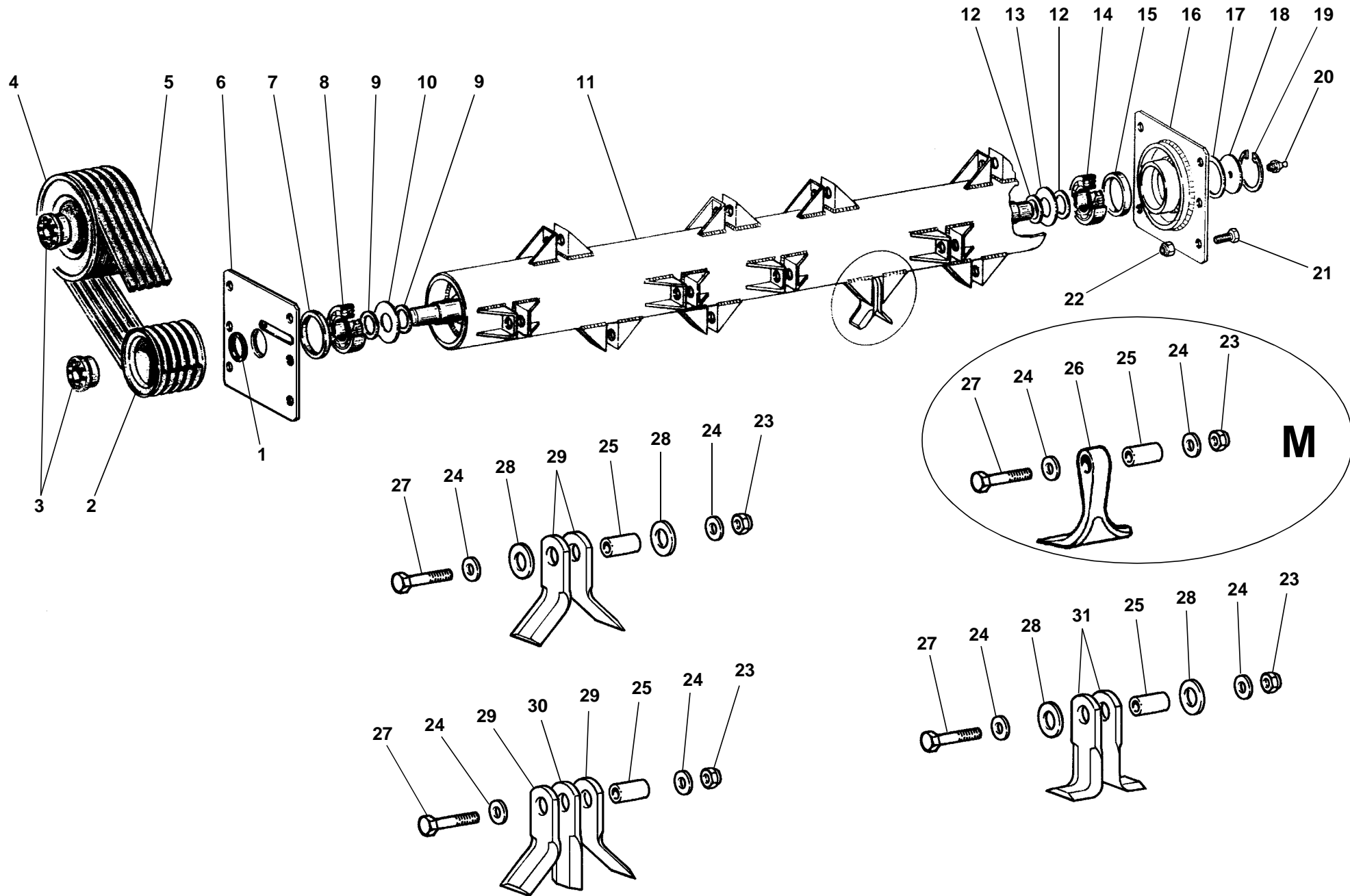
TAV. 1070

| RIF. | CODICE | DESCRIZIONE | N. |
|------|---------|--------------------------|----|
| 1 | 3000054 | | 2 |
| 2 | 1111414 | M14x40 UNI5739 | 8 |
| 3 | 1012414 | M14 UNI7474 | 8 |
| 4 | 1111010 | M10x30 UNI5739 RMU 2300 | 13 |
| | 1111010 | M10x30 UNI5739 RMU 2600 | 14 |
| 5 | 3001086 | RMU 2300 | 1 |
| | 3001049 | RMU 2600 | 1 |
| 6 | 3000069 | RMU 2300 | 1 |
| | 3000143 | RMU 2600 | 1 |
| 7 | 1110000 | ø 10 UNI6592 RMU 2300 | 13 |
| | 1110000 | ø 10 UNI6592 RMU 2600 | 14 |
| 8 | 1012410 | M10 UNI7474 RMU 2300 | 13 |
| | 1012410 | M10 UNI7474 RMU 26300 | 14 |
| 9 | 1102030 | M20x80 UNI5737 RMU 2300 | 2 |
| | 1102234 | M22x90 UNI5737 RMU 2600 | 2 |
| 10 | 1111618 | M16x50 UNI5739 RMU 2300 | 2 |
| | 1102226 | M22x70 UNI5737 RMU 2600 | 2 |
| 11 | 3007412 | RMU 2300 | 1 |
| | 3007419 | RMU 2600 | 1 |
| 12 | 1120000 | (RMU 2600) | 2 |
| 13 | 1012416 | M16 UNI7474 RMU 2300 | 2 |
| | 1012422 | M22 UNI7474 RMU 2600 | 2 |
| 14 | 3000055 | RMU 2300 | 2 |
| | 3000147 | RMU 2600 | 2 |
| 15 | 1102046 | M20x120 UNI5737 RMU 2300 | 1 |
| | 1102054 | M20x140 UNI5737 RMU 2600 | 1 |

| RIF. | CODICE | DESCRIZIONE | N. |
|------|---------|-------------------------|----|
| 16 | 3007706 | | 1 |
| 17 | 1012514 | M14 UNI5588 RMU 2300 | 2 |
| | 1012516 | M16 UNI5588 RMU 2600 | 2 |
| 18 | 1111426 | M14x70 UNI5739 RMU 2300 | 1 |
| | 1111626 | M16x70 UNI5739 RMU 2600 | 1 |
| 19 | 3001118 | 14,5x35x5 RMU 2300 | 1 |
| | 3001120 | 16,5x35x5 RMU 2600 | 1 |
| 20 | 1012414 | M14 UNI7474 RMU 2300 | 1 |
| | 1012416 | M16 UNI7474 RMU 2600 | 1 |
| 21 | 1012420 | M20 UNI7474 RMU 2300 | 6 |
| | 1012422 | M22 UNI7474 RMU 2600 | 6 |
| 22 | 3007640 | | 1 |
| 23 | 1124000 | ø24 UNI6592 (RMU 2600) | 4 |
| 24 | 0002101 | ø9 | 3 |
| 25 | 3000406 | | 2 |
| 26 | 3000178 | | 1 |
| 27 | 3000364 | | 1 |
| 28 | 0002115 | ø4 | 2 |
| 29 | 3001508 | | 1 |
| 30 | 1012514 | M14 UNI5588 | 2 |
| 31 | 1111430 | M14x80 UNI5739 RMU 2300 | 1 |
| | 1111430 | M14x80 UNI5739 RMU 2600 | 1 |
| 32 | 3000363 | | 2 |
| 33 | 3000374 | | 2 |
| 34 | 3000742 | RMU 2300 | 2 |
| | 3000086 | RMU 2600 | 2 |

| RIF. | CODICE | DESCRIZIONE | N. |
|------|---------|--------------------------|----|
| 35 | 3000088 | | 2 |
| 36 | 3000741 | | 2 |
| 37 | 3007374 | | 2 |
| 38 | 1102034 | M20x90 UNI5737 RMU 2300 | 4 |
| | 1102238 | M22x100 UNI5737 RMU 2600 | 4 |
| 39 | 1012420 | M20 UNI7474 | 1 |
| 40 | 1111618 | M16x50 UNI5739 | 2 |
| 41 | 1012416 | M16 UNI7474 | 2 |

TAV. 1071



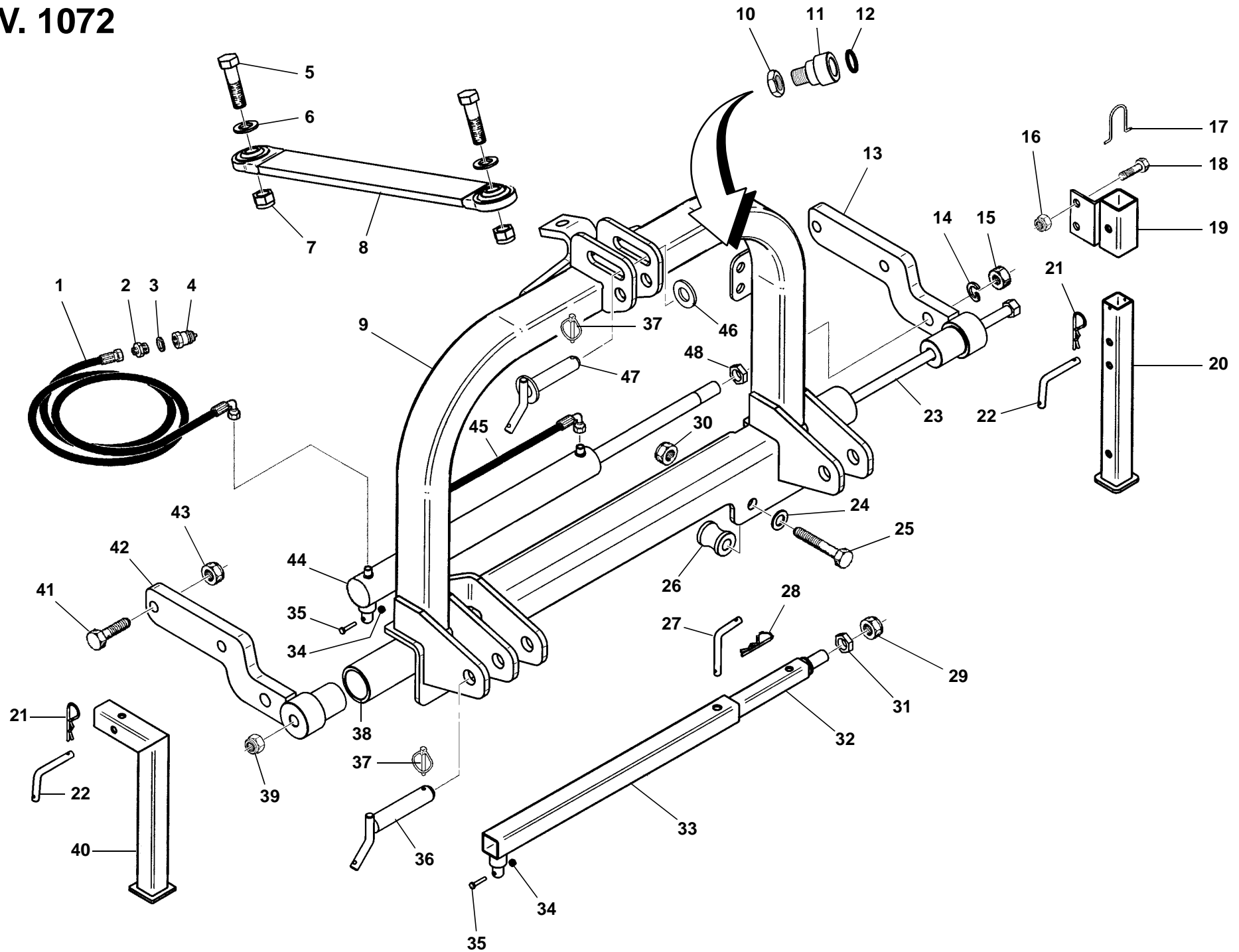
TAV. 1071

| RIF. | CODICE | DESCRIZIONE | N. |
|------|---------|---|----|
| 1 | 0001821 | A-NBR 55x75x5,5 | 1 |
| 2 | 3000102 | SPB 160x4 RMU 1250/2000 | 1 |
| | 3000370 | SPB 180x4 RMU 1250/2000 (M) | 1 |
| | 3000497 | SPB 180x5 RMU 2300-2600 (540 rpm) | 1 |
| | 3000907 | SPB 200x5 RMU 2300-2600 (1000 rpm) | 1 |
| 3 | 0001332 | 45x80 | 2 |
| 4 | 3000103 | SPB 250x4 RMU 1250/2000 | 1 |
| | 3000100 | SPB 250x5 RMU 2300-2600 (540 rpm) | 1 |
| | 3001359 | SPB 225x5 RMU 2300 (1000 rpm) | 1 |
| | 3000725 | SPB 212x5 RMU 2300 (M 1000 rpm) | 1 |
| | 3000725 | SPB 212x5 RMU 2600 (1000 rpm) | 1 |
| 5 | 0001000 | SPB-X 1500 RMU 1250/2000 | 4 |
| | 0001000 | SPB-X 1500 RMU 2300-2600 (540-1000 rpm) | 5 |
| 6 | 3000027 | Sx | 1 |
| 7 | 3001936 | 99x119x3 | 2 |
| 8 | 0001473 | 21311 | 1 |
| 9 | 3000347 | 58x65x1 | 4 |
| 10 | 3000346 | Sx | 1 |
| 11 | 3000203 | RMU 1250 | 1 |
| | 3000663 | RMU 1400 | 1 |
| | 3000016 | RMU 1600 | 1 |
| | 3000017 | RMU 2000 | 1 |
| | 3000018 | RMU 2300 | 1 |
| | 3001937 | RMU 2600 | 1 |
| 12 | 3000180 | 45x51,5x1,5 | 2 |
| 13 | 3000345 | Dx | 1 |
| 14 | 0001517 | 21309 | 1 |

| RIF. | CODICE | DESCRIZIONE | N. |
|------|---------|---------------------------|----|
| 15 | 3001935 | 84x99x3 | 4 |
| 16 | 3000028 | Dx | 1 |
| 17 | 3001123 | 83,5x99x1 | — |
| 18 | 3001012 | | 1 |
| 19 | 1020100 | Seeger I 100 UNI7437 | 1 |
| 20 | 0002654 | M10x1 | 1 |
| 21 | 1111410 | M14x30 UNI5739 | 12 |
| 22 | 1012414 | M14 UNI7474 | 12 |
| 23 | 1012416 | M16 UNI7474 RMU 1250 | 12 |
| | 1012416 | M16 UNI7474 RMU 1400-1600 | 16 |
| | 1012416 | M16 UNI7474 RMU 2000 | 20 |
| | 1012416 | M16 UNI7474 RMU 2300 | 24 |
| | 1012416 | M16 UNI7474 RMU 2600 | 28 |
| 24 | 3000182 | ø17x35x4 RMU 1250 | 24 |
| | 3000182 | ø17x35x4 RMU 1400-1600 | 32 |
| | 3000182 | ø17x35x4 RMU 2000 | 40 |
| | 3000182 | ø17x35x4 RMU 2300 | 48 |
| | 3000182 | ø17x35x4 RMU 2600 | 56 |
| 25 | 3000011 | RMU 1250 | 12 |
| | 3000011 | RMU 1400-1600 | 16 |
| | 3000011 | RMU 2000 | 20 |
| | 3000011 | RMU 2300 | 24 |
| | 3000011 | RMU 2600 | 28 |
| 26 | 3002936 | RMU 1250 | 12 |
| | 3002936 | RMU 1400-1600 | 16 |
| | 3002936 | RMU 2000 | 20 |
| | 3002936 | RMU 2300 | 24 |
| | 3002936 | RMU 2600 | 28 |

| RIF. | CODICE | DESCRIZIONE | N. |
|------|---------|------------------------------|----|
| 27 | 1101630 | M16x80 UNI5737 RMU 1250 | 12 |
| | 1101630 | M16x80 UNI5737 RMU 1400-1600 | 16 |
| | 1101630 | M16x80 UNI5737 RMU 2000 | 20 |
| | 1101630 | M16x80 UNI5737 RMU 2300 | 24 |
| | 1101630 | M16x80 UNI5737 RMU 2600 | 28 |
| 28 | 3000178 | RMU 1250 | 24 |
| | 3000178 | RMU 1400-1600 | 32 |
| | 3000178 | RMU 2000 | 40 |
| | 3000178 | RMU 2300 | 48 |
| | 3000178 | RMU 2600 | 56 |
| 29 | 3000106 | RMU 1250 | 24 |
| | 3000106 | RMU 1400-1600 | 32 |
| | 3000106 | RMU 2000 | 40 |
| | 3000106 | RMU 2300 | 48 |
| | 3000106 | RMU 2600 | 56 |
| 30 | 3000107 | RMU 1250 | 12 |
| | 3000107 | RMU 1400-1600 | 16 |
| | 3000107 | RMU 2000 | 20 |
| | 3000107 | RMU 2300 | 24 |
| | 3000107 | RMU 2600 | 28 |
| 31 | 3001221 | RMU 1250 | 24 |
| | 3001221 | RMU 1400-1600 | 32 |
| | 3001221 | RMU 2000 | 40 |
| | 3001221 | RMU 2300 | 48 |
| | 3001221 | RMU 2600 | 56 |

TAV. 1072



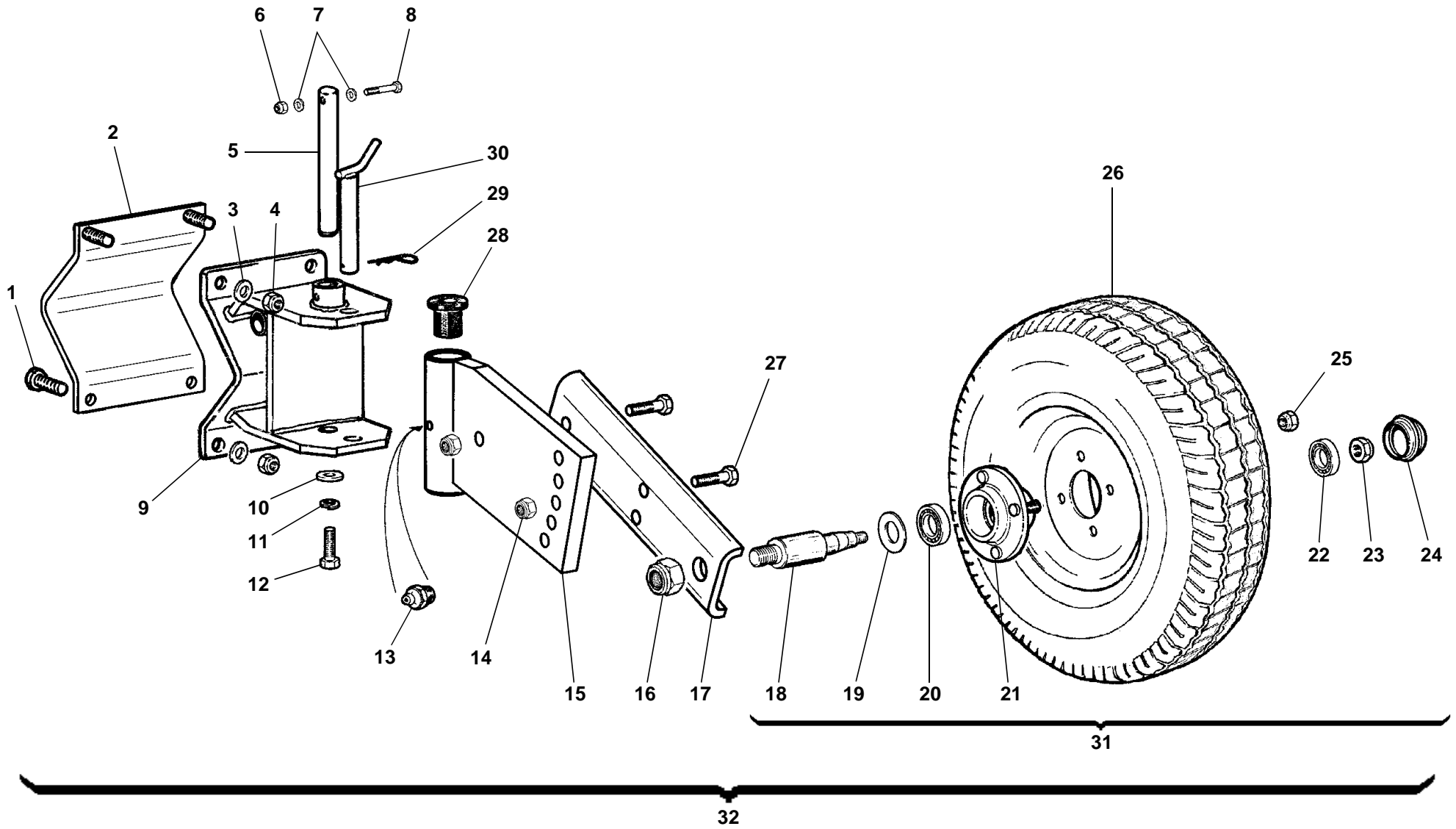
TAV. 1072

| RIF. | CODICE | DESCRIZIONE | N. |
|------|---------|------------------------------|----|
| 1 | 0002632 | R1T 1/4" L=2100 | 1 |
| 2 | 0002300 | 1/2"-1/4" | 2 |
| 3 | 0002006 | 1/2" | 2 |
| 4 | 0002701 | 1/2" | 2 |
| 5 | 1102230 | M22x80 UNI5737 | 2 |
| 6 | 1124000 | ø24 UNI6592 | 2 |
| 7 | 1012422 | M22 UNI7474 | 2 |
| 8 | 3007508 | | 1 |
| 9 | 3007499 | | 1 |
| 10 | 1021518 | M18x1,5 UNI5589 | 2 |
| 11 | 3005472 | 1/2" | 2 |
| 12 | 0001715 | OR 4093-131 | 2 |
| 13 | 3007454 | Sx RMU 1600/2300 | 1 |
| | 3007781 | Sx RMU 2600 | 1 |
| 14 | 1224000 | ø24 UNI1751 | 1 |
| 15 | 1022524 | M24x2 UNI5588 | 1 |
| 16 | 1012414 | M14 UNI7474 RMU 1600/2300 | 4 |
| 17 | 3007374 | RMU 1600/2300 | 2 |
| 18 | 1111416 | M14x45 UNI5739 RMU 1600/2300 | 4 |
| 19 | 3004352 | RMU 1600/2300 | 2 |
| 20 | 3000741 | RMU 1600/2300 | 2 |
| 21 | 0002115 | ø4 | 2 |
| 22 | 3000088 | | 2 |
| 23 | 3004919 | RMU 1600 | 1 |
| | 3004920 | RMU 2000/2600 | 1 |
| 24 | 1120000 | ø20 UNI6592 | 2 |

| RIF. | CODICE | DESCRIZIONE | N. |
|------|---------|------------------------------|----|
| 25 | 3002392 | M20x120 | 2 |
| 26 | 3007501 | | 2 |
| 27 | 3000088 | | 1 |
| 28 | 0002115 | ø4 | 1 |
| 29 | 1012422 | M22 UNI7474 | 1 |
| 30 | 1012420 | M20 UNI7474 | 2 |
| 31 | 1021522 | M22 UNI5589 | 1 |
| 32 | 3001366 | | 1 |
| 33 | 3001365 | | 1 |
| 34 | 1012406 | M6 UNI7474 | 1 |
| 35 | 1110610 | M6x30 UNI5739 | 1 |
| 36 | 3000406 | | 2 |
| 37 | 0002101 | ø9 | 3 |
| 38 | 3002581 | RMU 1600 | 1 |
| | 3002270 | RMU 2000/2600 | 1 |
| 39 | 1012418 | M18 UNI7474 | 1 |
| 40 | 5000244 | RMU 2600 | 2 |
| 41 | 1102026 | M20x70 UNI5737 RMU 1600/2300 | 4 |
| | 1102226 | M22x70 UNI5737 RMU 2600 | 4 |
| 42 | 3007453 | Dx RMU 1600/2300 | 1 |
| | 3007780 | Dx RMU 2600 | 1 |
| 43 | 1012420 | M20 UNI7474 RMU 1600/2300 | 4 |
| | 1012422 | M22 UNI7474 RMU 2600 | 4 |
| 44 | 3007684 | RMU 1600 | 1 |
| | 3007619 | RMU 2000/2600 | 1 |
| 45 | 0002634 | R1T 1/4" L=2600 | 1 |

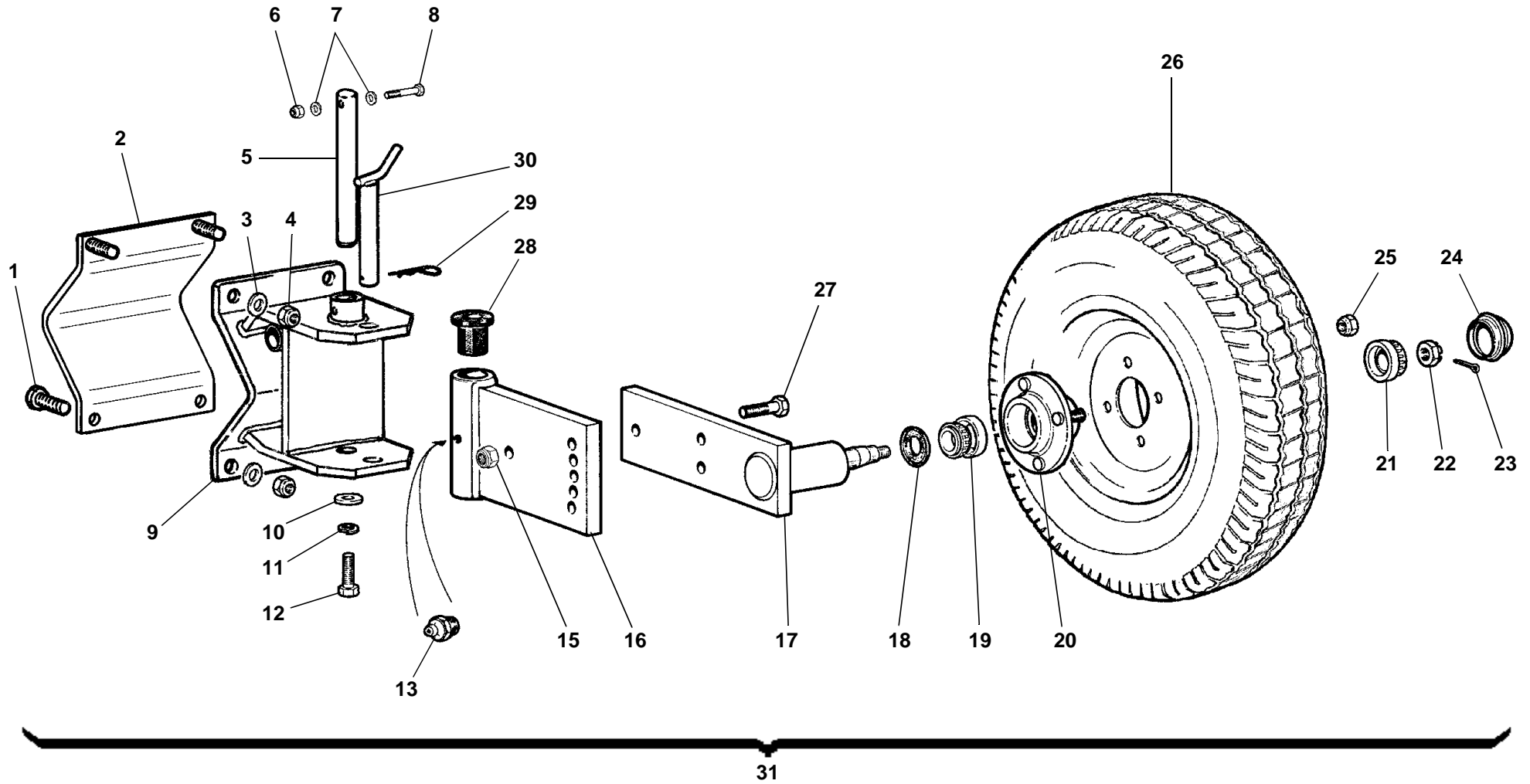
| RIF. | CODICE | DESCRIZIONE | N. |
|------|---------|---------------|----|
| 46 | 3000178 | | 1 |
| 47 | 3001508 | | 1 |
| 48 | 1021524 | M24x2 UNI5589 | 1 |

TAV. 1073



RMU 1600 P

TAV. 1075



RMU 2600

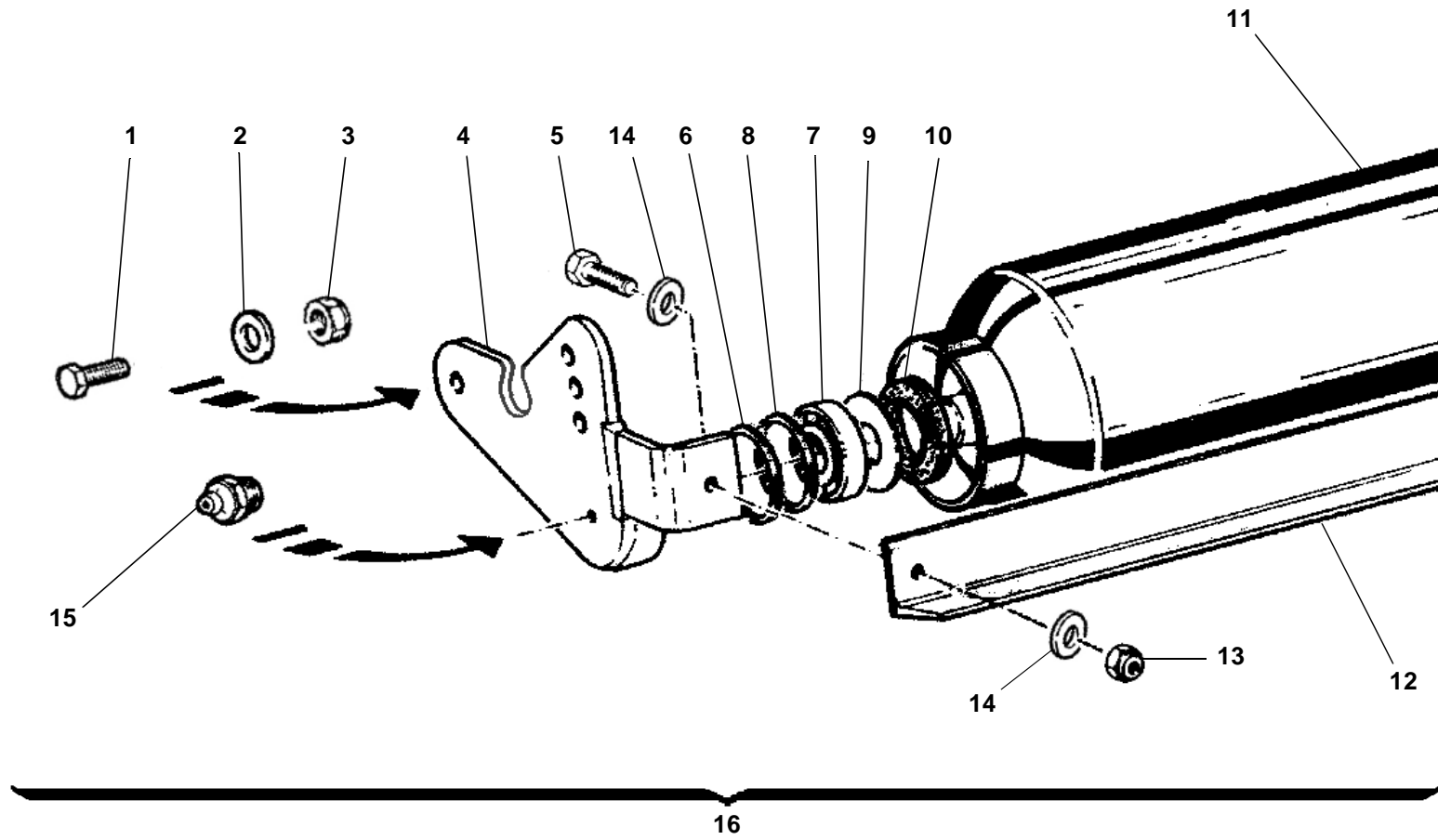
TAV. 1075

| RIF. | CODICE | DESCRIZIONE | N. |
|------|---------|-----------------|----|
| 1 | 1101622 | M16x60 UNI5737 | 2 |
| 2 | 3005605 | | 1 |
| 3 | 1116000 | ø16 UNI6592 | 4 |
| 4 | 1012416 | M16 UNI7474 | 4 |
| 5 | 3004400 | | 1 |
| 6 | 1012408 | M8 UNI7474 | 1 |
| 7 | 1108000 | ø8 UNI6592 | 2 |
| 8 | 1100820 | M8x55 UNI5737 | 1 |
| 9 | 3005611 | | 1 |
| 10 | 3001118 | ø14,5x35x5 | 1 |
| 11 | 1214000 | ø14 UNI1751 | 1 |
| 12 | 1111414 | M14x40 UNI5739 | 1 |
| 13 | 0002654 | M10x1 | 1 |
| 15 | 1012414 | M14 UNI7474 | 2 |
| 16 | 3002152 | | 1 |
| 17 | 3001989 | | 1 |
| 18 | 0001802 | 30x62 | 1 |
| 19 | 0001403 | 30206 | 1 |
| 20 | 0003732 | | 1 |
| 21 | 0001431 | 30204 | 1 |
| 22 | 0003719 | | 1 |
| 23 | 1559028 | ø4,5x45 UNI1336 | 1 |
| 24 | 0003713 | | 1 |
| 25 | 0003701 | | 4 |
| 26 | 0003560 | 165/70 R13 | 1 |
| 27 | 1101426 | M14x70 UNI5737 | 2 |

| RIF. | CODICE | DESCRIZIONE | N. |
|------|---------|-------------|----|
| 28 | 3000078 | | 2 |
| 29 | 0002101 | ø9 | 1 |
| 30 | 3002230 | | 1 |
| 31 | 8499012 | Dx | 1 |
| | 8499013 | Sx | 1 |

| RIF. | CODICE | DESCRIZIONE | N. |
|------|--------|-------------|----|
|------|--------|-------------|----|

TAV. 1076



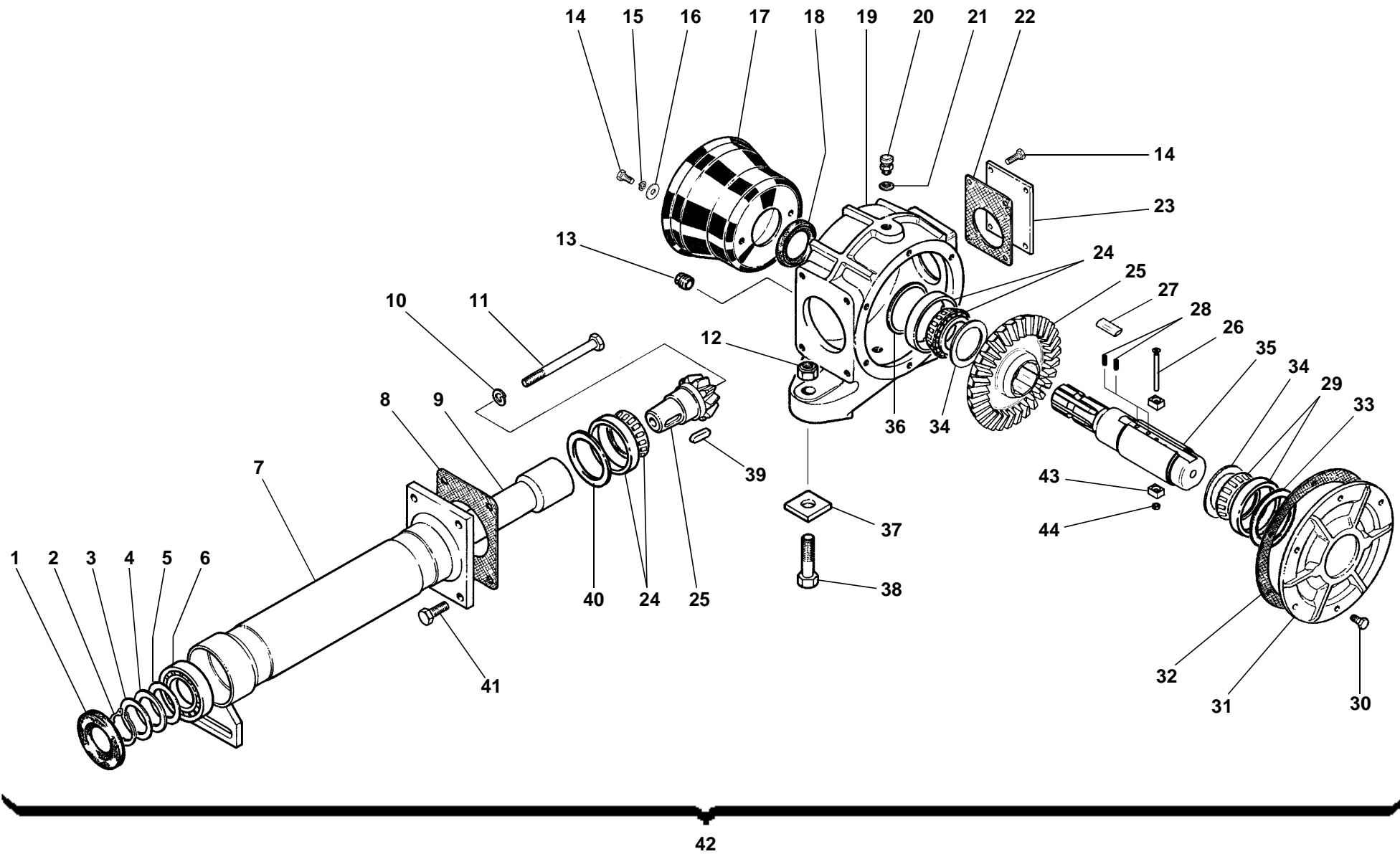
TAV. 1076

| RIF. | CODICE | DESCRIZIONE | N. |
|------|---------|----------------|----|
| 1 | 1111414 | M14x40 UNI5739 | 4 |
| 2 | 3001118 | ø14,5x35x5 | 4 |
| 3 | 1012414 | M14 UNI7474 | 4 |
| 4 | 3001422 | Dx | 1 |
| | 3001423 | Sx | 1 |
| 5 | 1111012 | M10x35 UNI5739 | 2 |
| 6 | 3000181 | 61x71,5x1,5 | 2 |
| 7 | 0001521 | 21306 | 2 |
| 8 | 3000640 | 65x71x3 | 2 |
| 9 | 3000648 | | 2 |
| 10 | 0001805 | 35x72x10 | 2 |
| 11 | 3007628 | RMU 1250 | 1 |
| | 3007627 | RMU 1400 | 1 |
| | 3007427 | RMU 1600 | 1 |
| | 3005219 | RMU 2000 | 1 |
| | 3001434 | RMU 2300 | 1 |
| | 3002429 | RMU 2600 | 1 |
| 12 | 3001308 | RMU 1250 | 1 |
| | 3004846 | RMU 1400 | 1 |
| | 3005456 | RMU 1600 | 1 |
| | 3002860 | RMU 2000 | 1 |
| | 3001476 | RMU 2300 | 1 |
| | 3002428 | RMU 2600 | 1 |
| 13 | 1012410 | M10 UNI7474 | 2 |
| 14 | 1110000 | ø10 UNI6592 | 4 |
| 15 | 0002654 | M10x1 | 2 |

| RIF. | CODICE | DESCRIZIONE | N. |
|------|---------|-------------|----|
| 16 | 8010021 | RMU 1250 | 1 |
| | 8340013 | RMU 1400 | 1 |
| | 8020022 | RMU 1600 | 1 |
| | 8031001 | RMU 2000 | 1 |
| | 6440003 | RMU 2300 | 1 |
| | 6850002 | RMU 2600 | 1 |

| RIF. | CODICE | DESCRIZIONE | N. |
|------|--------|-------------|----|
|------|--------|-------------|----|

TAV. 1077



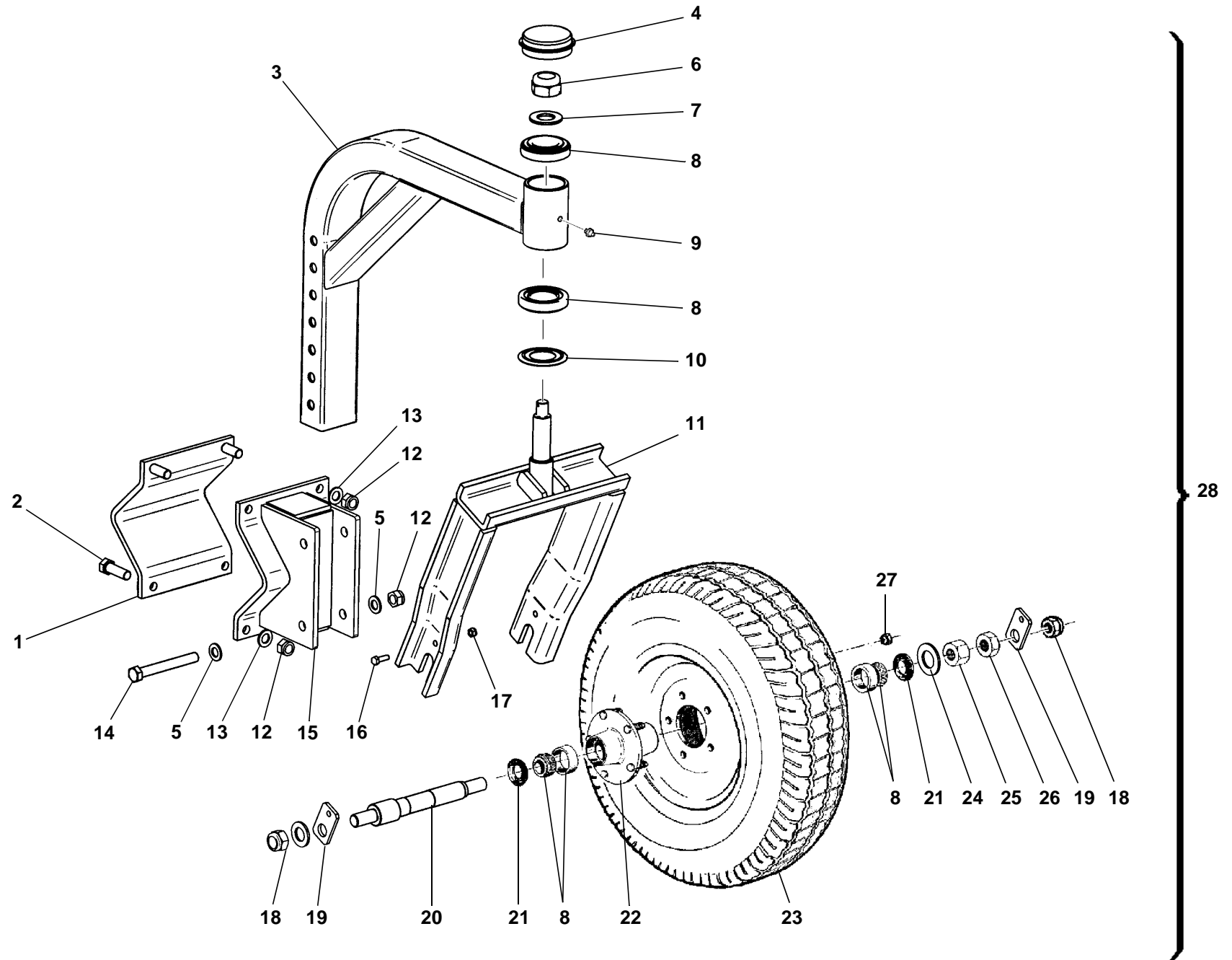
TAV. 1077

| RIF. | CODICE | DESCRIZIONE | N. |
|------|---------|------------------------|----|
| 1 | 0001800 | 45x85x10 | 1 |
| 2 | 1010045 | Seeger E45 UNI7435 | 1 |
| 3 | 3002681 | 45,2x55x2 | — |
| 4 | 3001949 | 46x61x0,5 | — |
| 5 | 3004422 | 46x61x0,25 | — |
| 6 | 0001475 | 6209 RMU 1250/2000 | 1 |
| | 0001414 | 22209-CC RMU 2300/2600 | 1 |
| 7 | 3000002 | RMU 1250/1600 | 1 |
| | 3000003 | RMU 2000 | 1 |
| | 3000004 | RMU 2300 | 1 |
| | 3000005 | RMU 2600 | 1 |
| 8 | 3000108 | | — |
| 9 | 3000006 | RMU 1250/1600 | 1 |
| | 3000007 | RMU 2000 | 1 |
| | 3000008 | RMU 2300 | 1 |
| | 3000140 | RMU 2600 | 1 |
| 10 | 1212000 | ø12 UNI1751 | 1 |
| 11 | 1101254 | M12x140 UNI5737 | 1 |
| 12 | 1012418 | M18 UNI7474 | 2 |
| 13 | 0002663 | M18x1,5 | 2 |
| 14 | 1110804 | M8x16 UNI5739 | 6 |
| 15 | 1208000 | ø8 UNI1751 | 2 |
| 16 | 1309243 | ø8x24x3 UNI6593 | 2 |
| 17 | 0003424 | | 1 |
| 18 | 0001801 | 45x65x10 | 1 |
| 19 | 3000001 | | 1 |

| RIF. | CODICE | DESCRIZIONE | N. |
|------|----------|--------------------------|----|
| 20 | 0002679 | 18x1,5 | 1 |
| 21 | 0002024 | 18x24x1,5 | 1 |
| 22 | 3000204 | | 1 |
| 23 | 3000095 | | 1 |
| 24 | 0001402 | 30209 | 2 |
| 25 | 3006826 | RMU 1250/2600 (540 rpm) | 1 |
| | 3008099 | RMU 2300-2600 (1000 rpm) | 1 |
| 26 | 11205222 | M5x60 UNI5931 12.9 | 1 |
| 27 | 3006959 | | 2 |
| 28 | 0006142 | | 4 |
| 29 | 0001402 | 30209 | 1 |
| 30 | 1110808 | M8x25 UNI5739 | 6 |
| 31 | 3000000 | | 1 |
| 32 | 3000206 | | — |
| 33 | 3004488 | 51,5x61,5x0,35 | — |
| 34 | 0001503 | 47x65x4 | 2 |
| 35 | 3006740 | | 1 |
| 36 | 3004481 | 73,5x84x0,15 | — |
| | 3004480 | 73,5x84x0,4 | — |
| | 3001040 | 73,5x84x0,5 | — |
| | 3004458 | 75,2x84x0,25 | — |
| 37 | 3001028 | | 2 |
| 38 | 1101826 | M18x70 UNI5737 | 2 |
| 39 | 1552073 | 10x8x35 UNI6604 | 1 |
| 40 | 3001040 | 73,5x84x0,5 | — |
| 41 | 1111212 | M12x35 UNI5739 | 4 |

| RIF. | CODICE | DESCRIZIONE | N. |
|------|---------|---------------------|----|
| 42 | 3006810 | RMU 1250/1600 | 1 |
| | 3007209 | RMU 2000 (540 rpm) | 1 |
| | 3007835 | RMU 2000 (1000 rpm) | 1 |
| | 3007210 | RMU 2300 (540 rpm) | 1 |
| | 3008182 | RMU 2300 (1000 rpm) | 1 |
| | 3007278 | RMU 2600 (540 rpm) | 1 |
| | 3008253 | RMU 2600 (1000 rpm) | 1 |
| 43 | 3009283 | | 2 |
| 44 | 1012405 | M5 UNI7474 | 1 |

TAV. 1078



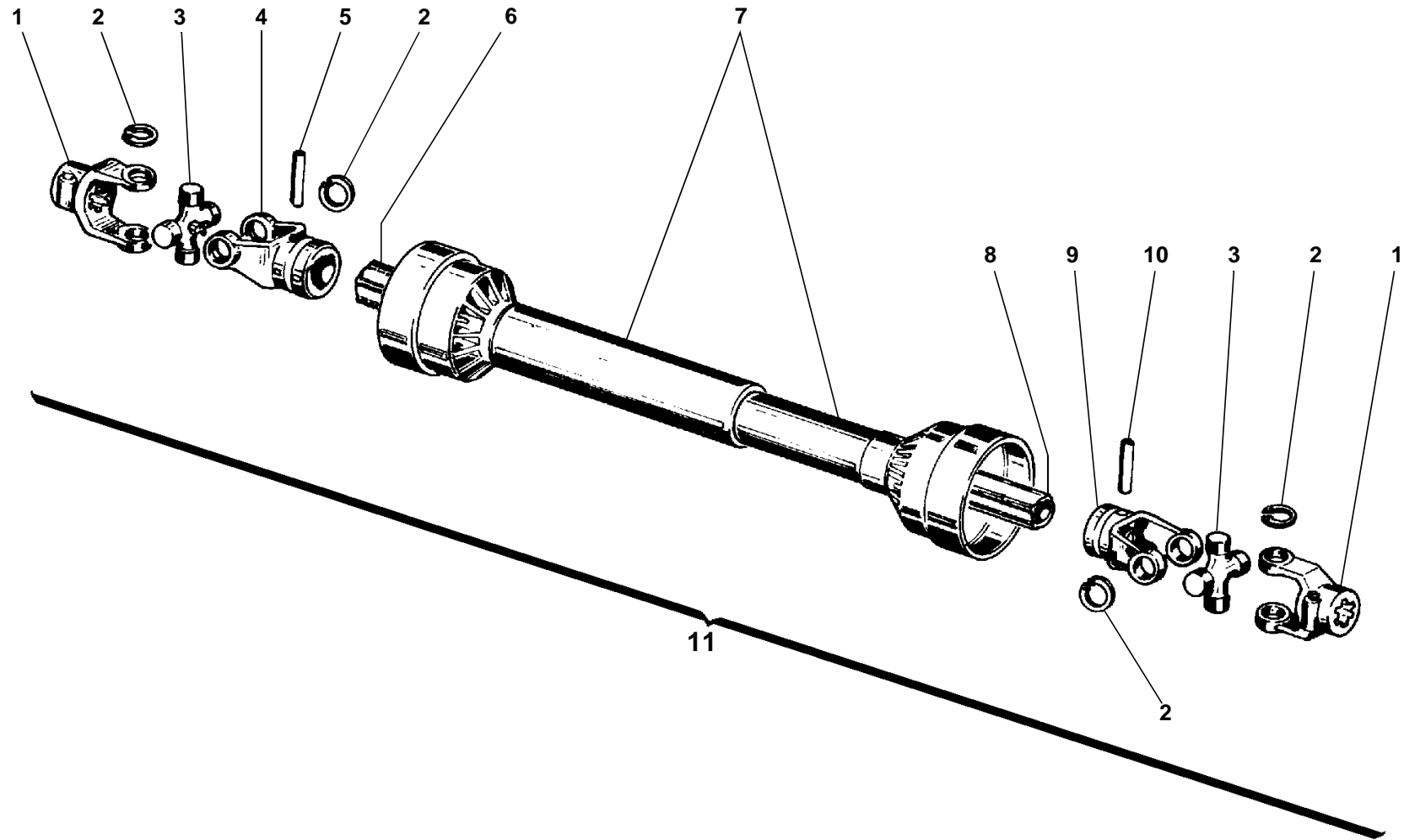
TAV. 1078

| RIF. | CODICE | DESCRIZIONE | N. |
|------|---------|-----------------|----|
| 1 | 3005605 | | 1 |
| 2 | 1101622 | M16x60 UNI5737 | 2 |
| 3 | 3006171 | | 1 |
| 4 | 0003776 | | 1 |
| 5 | 3001120 | 16,5x35x5 | 4 |
| 6 | 1022430 | M30x2 | 1 |
| 7 | 1130000 | ø30 UNI6592 | 1 |
| 8 | 0001402 | 30209 | 2 |
| 9 | 0002654 | M10x1 | 1 |
| 10 | 0001822 | 45x85 | 1 |
| 11 | 3006169 | | 1 |
| 12 | 1012416 | M16 UNI7474 | 6 |
| 13 | 1116000 | ø16 UNI1751 | 4 |
| 14 | 1101650 | M16x130 UNI5737 | 2 |
| 15 | 3008139 | | 1 |
| 16 | 1110808 | M8x25 UNI5739 | 2 |
| 17 | 1012408 | M8 UNI7474 | 2 |
| 18 | 1012422 | M22 UNI7474 | 2 |
| 19 | 3008167 | | 2 |
| 20 | 3000153 | | 1 |
| 21 | 0001802 | 30x62 | 2 |
| 22 | 0003702 | | 1 |
| 23 | 0003662 | 200/60-R14,5 | 1 |
| 24 | 1130000 | ø30 UNI6592 | 1 |
| 25 | 1022530 | M30x2 UNI5588 | 1 |
| 26 | 1021530 | M30x2 UNI5589 | 1 |

| RIF. | CODICE | DESCRIZIONE | N. |
|------|---------|-------------|----|
| 27 | 0003707 | | 5 |
| 28 | 8499109 | | 2 |

| RIF. | CODICE | DESCRIZIONE | N. |
|------|--------|-------------|----|
|------|--------|-------------|----|

TAV. 1079



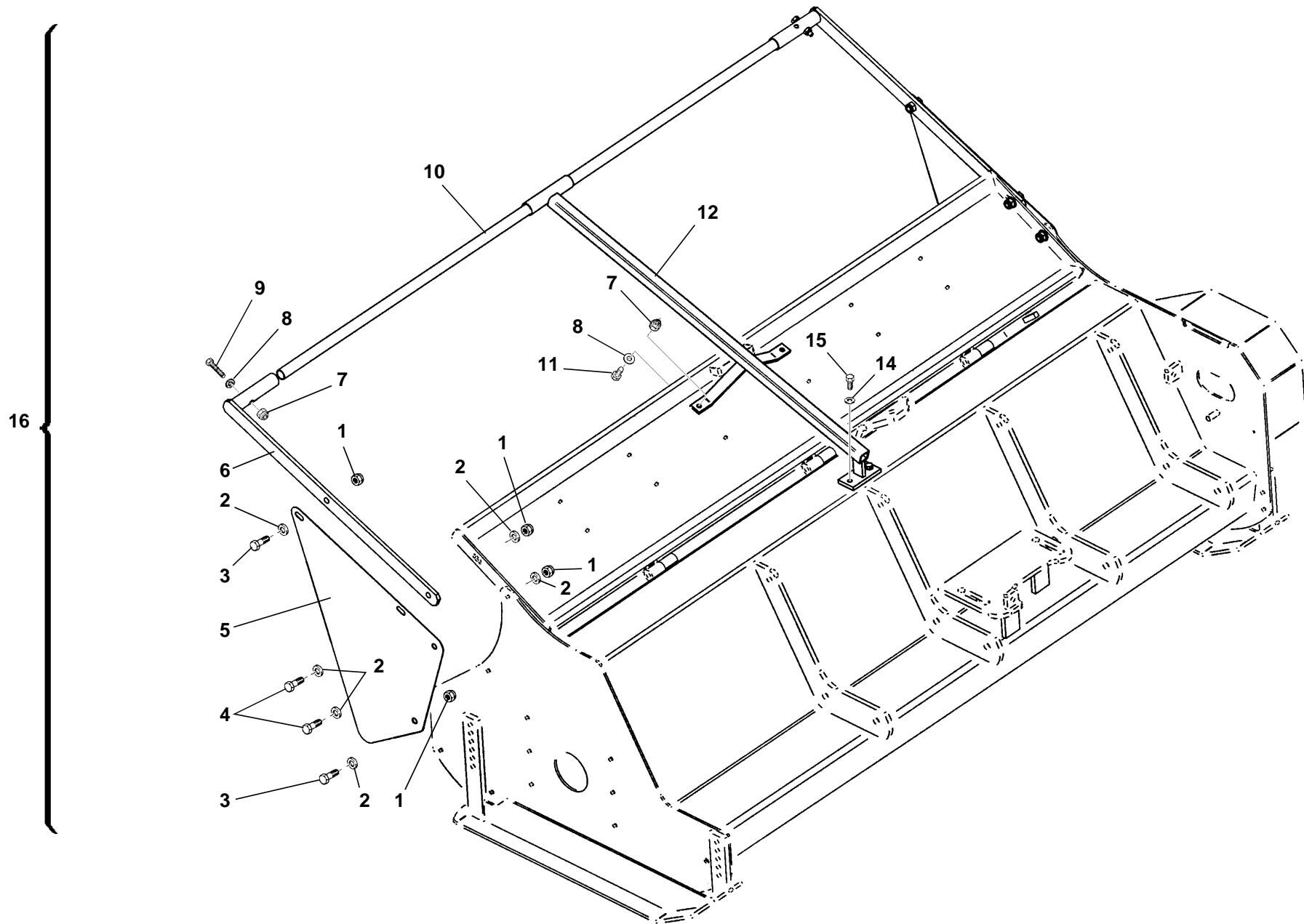
TAV. 1079

| RIF. | CODICE | DESCRIZIONE | N. |
|------|---------|---------------|----|
| 1 | 0003118 | RMU 1250/1600 | 2 |
| | 0003100 | RMU 2000 | 2 |
| | 0003135 | RMU 2300-2600 | 2 |
| 2 | 0003124 | RMU 1250/1600 | 8 |
| | 0003102 | RMU 2000 | 8 |
| | 0003136 | RMU 2300-2600 | 8 |
| 3 | 0003119 | RMU 1250/1600 | 2 |
| | 0003104 | RMU 2000 | 2 |
| | 0003137 | RMU 2300-2600 | 2 |
| 4 | 0003120 | RMU 1250/1600 | 1 |
| | 0003106 | RMU 2000 | 1 |
| | 0003138 | RMU 2300-2600 | 1 |
| 5 | 0003212 | RMU 1250/1600 | 1 |
| | 0003202 | RMU 2000 | 1 |
| | 0003224 | RMU 2300-2600 | 1 |
| 6 | 0003213 | RMU 1250/1600 | 1 |
| | 0003200 | RMU 2000 | 1 |
| | 0003232 | RMU 2300-2600 | 1 |
| 7 | 0003416 | RMU 1250/1600 | 1 |
| | 0003408 | RMU 2000 | 1 |
| | 0003419 | RMU 2300-2600 | 1 |
| 8 | 0003217 | RMU 1250/1600 | 1 |
| | 0003203 | RMU 2000 | 1 |
| | 0003233 | RMU 2300-2600 | 1 |
| 9 | 0003121 | RMU 1250/1600 | 1 |
| | 0003108 | RMU 2000 | 1 |

| RIF. | CODICE | DESCRIZIONE | N. |
|------|---------|---------------|----|
| | 0003139 | RMU 2300-2600 | 1 |
| 10 | 0003214 | RMU 1250/1600 | 1 |
| | 0003205 | RMU 2000 | 1 |
| | 0003227 | RMU 2300-2600 | 1 |
| 11 | 0003004 | RMU 1250/1600 | 1 |
| | 0003000 | RMU 2000 | 1 |
| | 0003010 | RMU 2300-2600 | 1 |

| RIF. | CODICE | DESCRIZIONE | N. |
|------|--------|-------------|----|
| | | | |

TAV. 1080



TAV. 1080

| RIF. | CODICE | DESCRIZIONE | N. |
|------|---------|----------------|----|
| 1 | 1012414 | M14 UNI7474 | 8 |
| 2 | 1114000 | ø14 UNI6592 | 12 |
| 3 | 1111410 | M14x30 UNI5739 | 4 |
| 4 | 1111414 | M14x40 UNI5739 | 4 |
| 5 | 3007693 | | 2 |
| 6 | 3007695 | | 2 |
| 7 | 1012410 | M10 UNI7474 | 4 |
| 8 | 1110000 | ø10 UNI6592 | 4 |
| 9 | 1101020 | M10x55 UNI5737 | 2 |
| 10 | 3007724 | RMU 1250 | 1 |
| | 3007725 | RMU 1400 | 1 |
| | 3007726 | RMU 1600 | 1 |
| | 3007697 | RMU 2000 | 1 |
| | 3007727 | RMU 2300 | 1 |
| | 3007728 | RMU 2600 | 1 |
| 11 | 1111010 | M10x30 UNI5739 | 2 |
| 12 | 3007696 | RMU 2000/2600 | 1 |
| 14 | 1216000 | ø16 UNI1751 | 2 |
| 15 | 1111008 | M10x25 UNI5739 | 2 |
| 16 | 8010022 | RMU 1250 | 1 |
| | 8340014 | RMU 1400 | 1 |
| | 8020025 | RMU 1600 | 1 |
| | 8030022 | RMU 2000 | 1 |
| | 8040014 | RMU 2300 | 1 |
| | 8490017 | RMU 2600 | 1 |

| RIF. | CODICE | DESCRIZIONE | N. |
|------|--------|-------------|----|
|------|--------|-------------|----|

| RIF. | CODICE | DESCRIZIONE | N. |
|------|--------|-------------|----|
|------|--------|-------------|----|