

Publication 468  
December 2004  
Part No. 41570.68  
Revision: 17.06.08

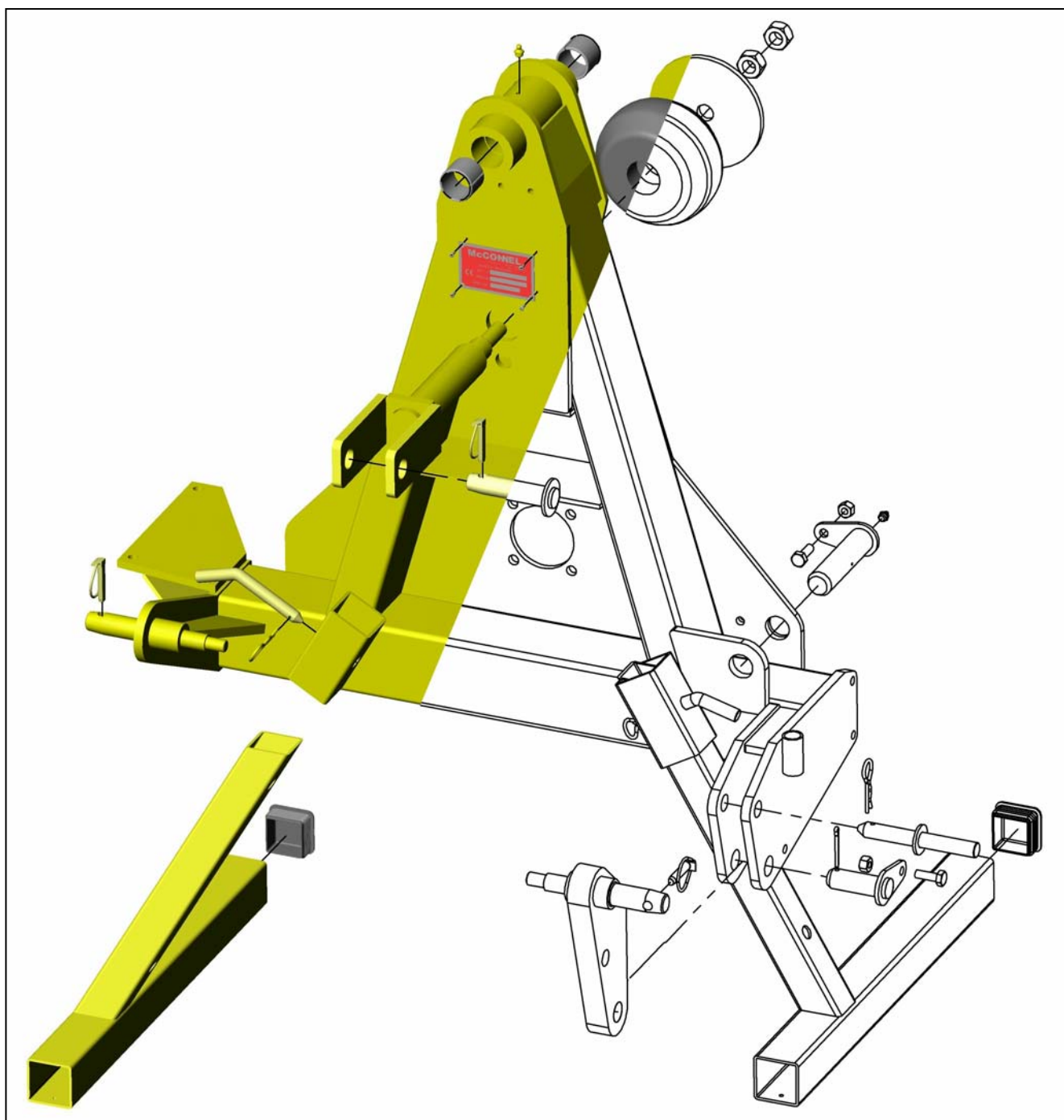


# PA 47

## *Mk2 Models*

### HEDGE/GRASS TRIMMER

## Parts Manual





*For best performance ...*

## **USE ONLY GENUINE McCONEL SERVICE PARTS**

*To be assured of the latest design improvements purchase your  
'Genuine Replacements' from the 'Original Equipment Manufacturer'*

### **McCONEL LIMITED**

*Through your local Dealer or Stockist*

**Always quote:**

- ***Machine Type***
- ***Serial Number***
- ***Part Number***

*Design improvements may alter some of the parts listed in this manual –  
the latest part will always be supplied when it is interchangeable with an earlier one.*

# CONTENTS

## Page

### FRAME AND TANK

Mainframe Assembly	1
Rocker Assembly	3
Main Arm Assembly	5
Dipper Arm Assembly	7
Head Angling Mechanism	
Hydraulic Tank Assembly	11

### PUMPS AND GEARBOXES

Pump & Gearbox - <i>SI models</i>	13
Pump & Gearbox - <i>TI models</i>	15
Pump Assembly - <i>SI models</i>	17
Pump Assembly - <i>TI models</i>	19
Gearbox Assembly	21

### ARMHEAD & ROTOR CONTROL VALVES

Control Assembly - <i>Cable SI models</i>	23
Control Assembly - <i>Cable TI models</i>	25
Cable Control Valve	27
Control Assembly - <i>Electric TI models</i>	29
Control Assembly - <i>Proportional TI models</i>	31
Solenoid Valves	33
Lift Float Kit	35
Angle Float Kit - ( <i>Optional Extra</i> )	37

### MACHINE CONTROLS

Cable Control Unit - <i>see pages 23 -26</i>	
Switchbox Controls & Loom	39
Monolever Controls & Loom	41
Proportional Control Box	43
Control Mountings - <i>Cable / Electric / Proportional</i>	45

### HYDRAULIC RAMS

Angling Ram	47
Reach Ram	48
Lift Ram	49

# CONTENTS

	<b>Page</b>
<b>HYDRAULIC HOSE INSTALLATIONS</b>	
Valve Hose Installation - <i>Cable models</i>	51
Valve Hose Installation - <i>Electric / Proportional models</i>	53
Arm & Ram Hose Locations	55
<b>MACHINE COVERS</b>	
Rear Covers	57
<b>LIGHTING</b>	
Rear Lighting Kit - ( <i>Optional Extra</i> )	59
<b>DECALS</b>	
Machine Decals	61
<b>OPERATOR GUARD</b>	
Cab Guard Kit	63
<b>OPTIONAL EXTRAS</b>	
Debris Blower Mounting Kit	64

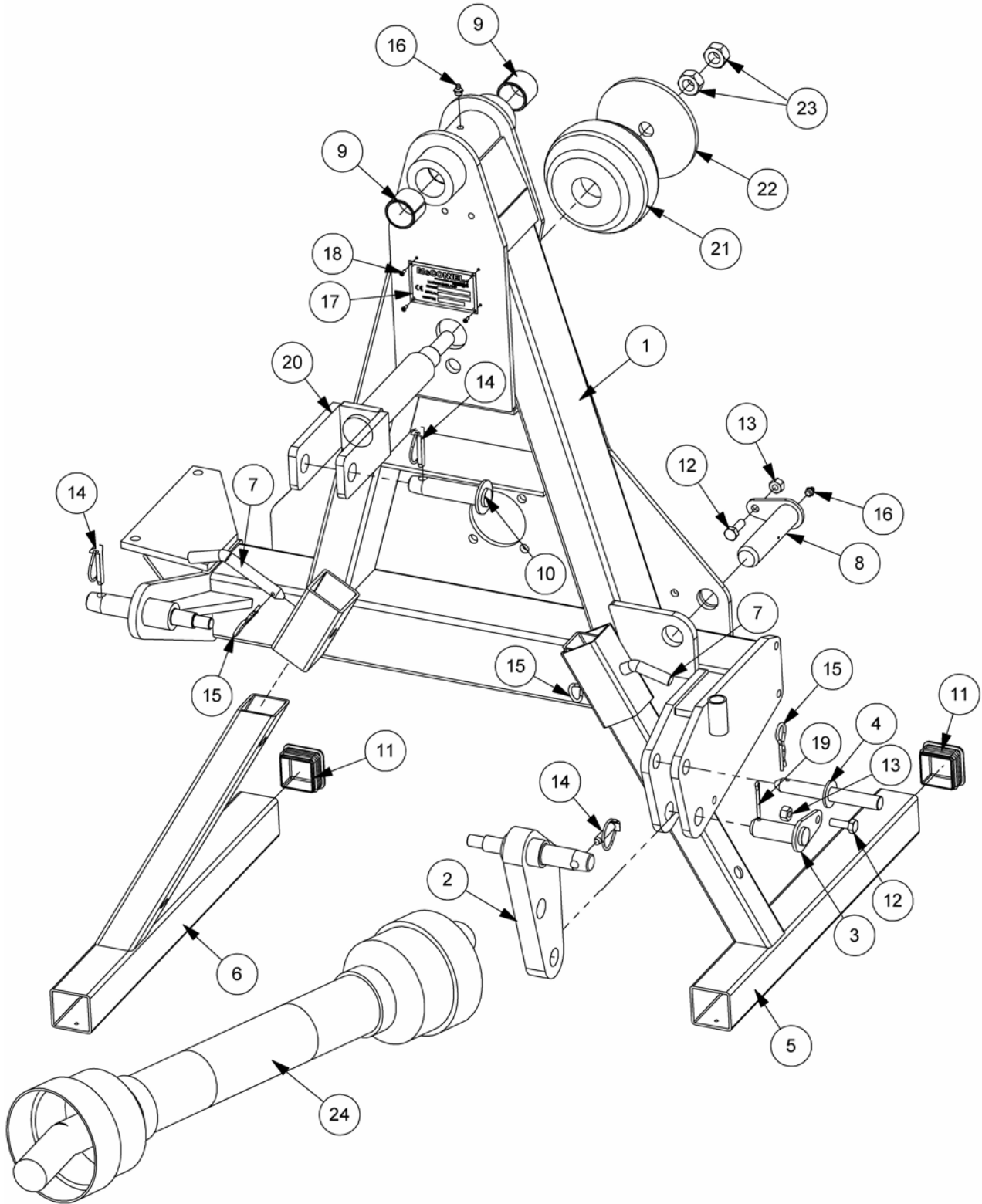
# MAIN FRAME ASSEMBLY

**Modules:**

7447594 – L/H Build

7447595 – R/H Build

*Illustrated in Left Hand Build*

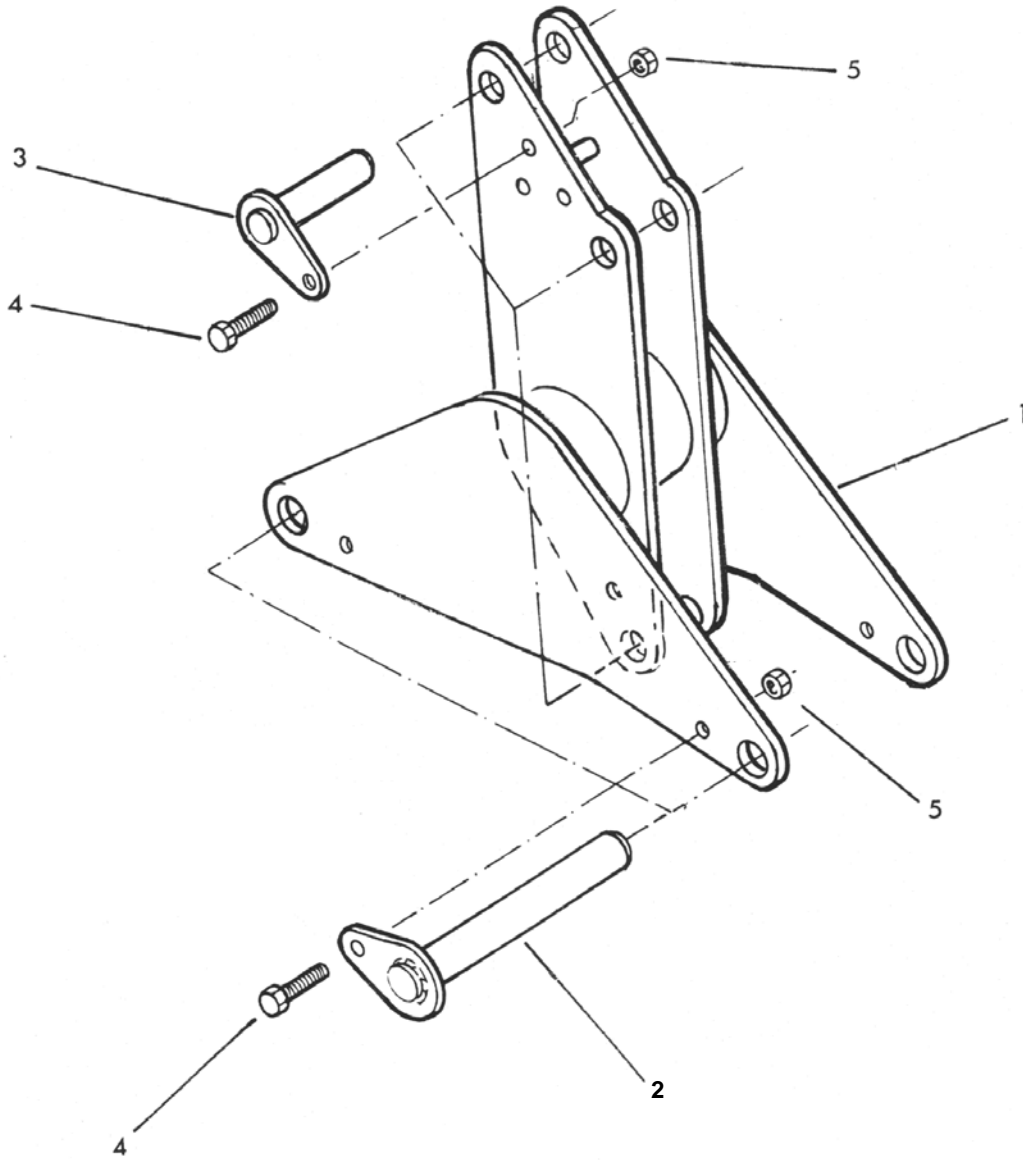


**MAIN FRAME ASSEMBLY**

REF.	QTY.	PART No.	DESCRIPTION
		<b>7447594</b>	<b>MAIN FRAME ASSEMBLY - L/H Build</b>
		<b>7447595</b>	<b>MAIN FRAME ASSEMBLY - R/H Build</b>
1	1	41860.05	MAIN FRAME - L/H Build
	1	41860.06	MAIN FRAME - L/H Build ( <i>not illustrated</i> )
2	1	42350.05	SWING LINK
3	1	41693.05	PIN
4	1	42489.01	LOCK PIN
5	1	7198046	STAND LEG - L/H
6	1	7198016	STAND LEG - R/H
7	2	7192023	LEG PIN
8	1	41692.03	PIN
9	2	7213023	PLASTIC BUSH
10	1	7118112	PIN - STABILIZER
11	2	7191108	PLASTIC PLUG
12	2	9313065	SETSCREW
13	2	9143005	SELF-LOCKING NUT
14	3	0431217	LINCH PIN
15	3	0431105	SPRING COTTER
16	2	0901121	GREASE NIPPLE
17	1	1335246	SERIAL No. PLATE
18	4	7103230	POP RIVET
19	1	9501406	SPLIT PIN
20	1	21557.01	TOP HITCH BRACKET
21	1	7135033	RUBBER SPRING
22	1	21558.01	SPRING PLATE
23	2	9113008	NUT
24	1	7114289	DRIVESHAFT

# ROCKER ASSEMBLY

Module:  
7447504



**ROCKER ASSEMBLY**

REF.	QTY.	PART No.	DESCRIPTION
		<b>7447504</b>	<b>ROCKER ASSEMBLY</b>
1	1	41861.01	ROCKER
2	2	7191033	PIVOT PIN - MAIN ARM / ROCKER
3	3	41692.02	PIVOT PIN - TENSION LINK / REACH RAM / LIFT RAM
4	5	9213065	BOLT
5	5	9143005	SELF LOCKING NUT



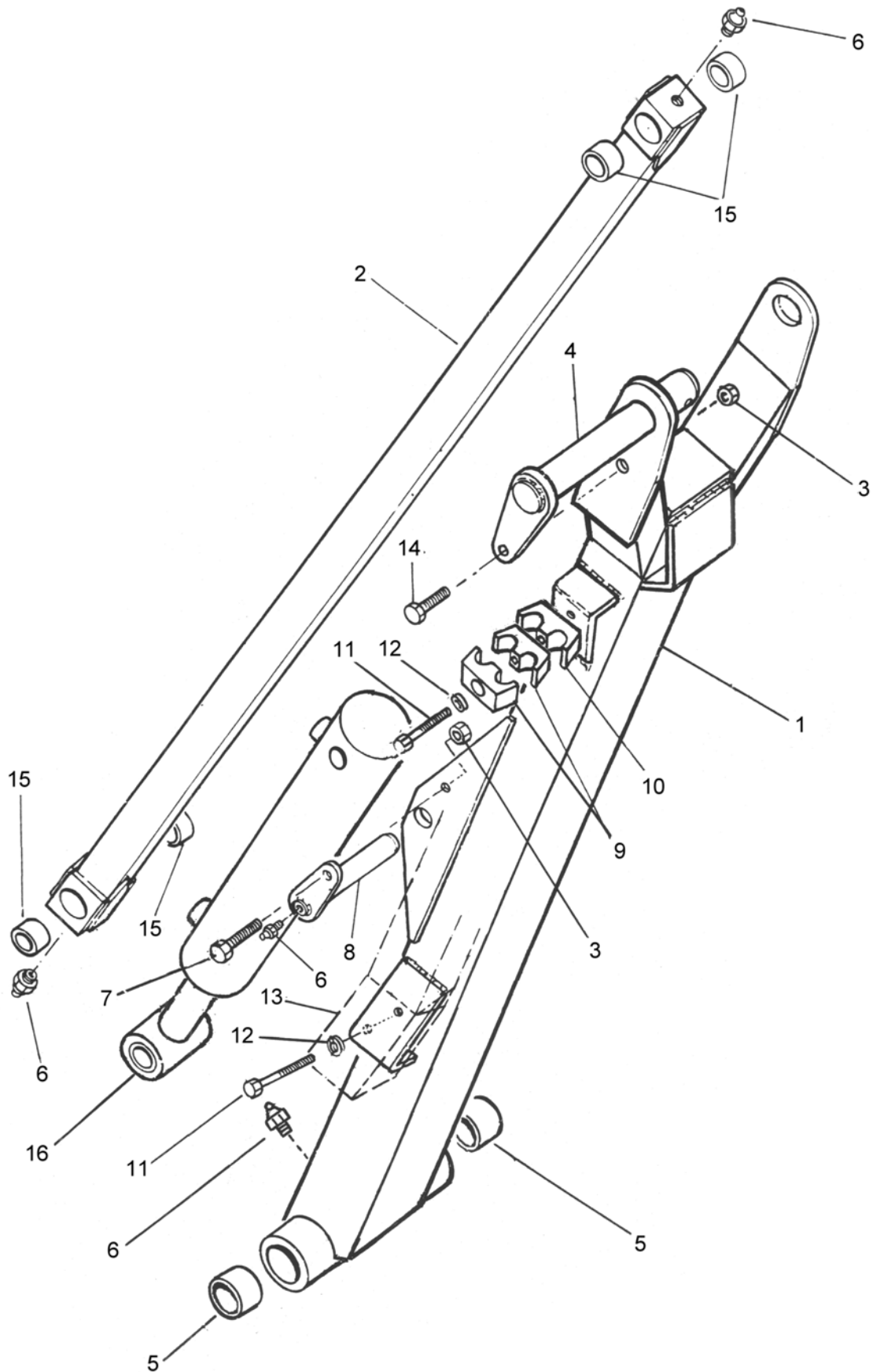
# MAIN ARM ASSEMBLY

**Modules:**

7447506 – L/H Build

7447505 – R/H Build

*Illustrated in Left Hand Build*



**MAIN ARM ASSEMBLY**

REF.	QTY.	PART No.	DESCRIPTION
		<b>7447506</b>	<b>MAIN ARM ASSEMBLY - L/H Build</b>
		<b>7447505</b>	<b>MAIN ARM ASSEMBLY - R/H Build</b>
1	1	41862.01	MAIN ARM - L/H
	1	41862.02	MAIN ARM - R/H
2	1	41662.03	TENSION LINK
3	1	7191033	PIVOT PIN - DIPPER ARM
4	2	9143005	SELF LOCKING NUT
5	2	7213023	BUSH
6	4	0901121	GREASER
7	2	9313075	SETSCREW
8	1	41692.03	PIVOT PIN - REACH BASE
9	2	7190148	HOSE CLAMP
10	1	7193063	HOSE CLAMP
11	2	9213205	BOLT
12	2	9100105	PLAIN WASHER
13	1	7198341	HOSE COVER
14	1	9313075	BOLT
15	4	6012032	BUSH
16	1	7198376	REACH RAM ASSEMBLY

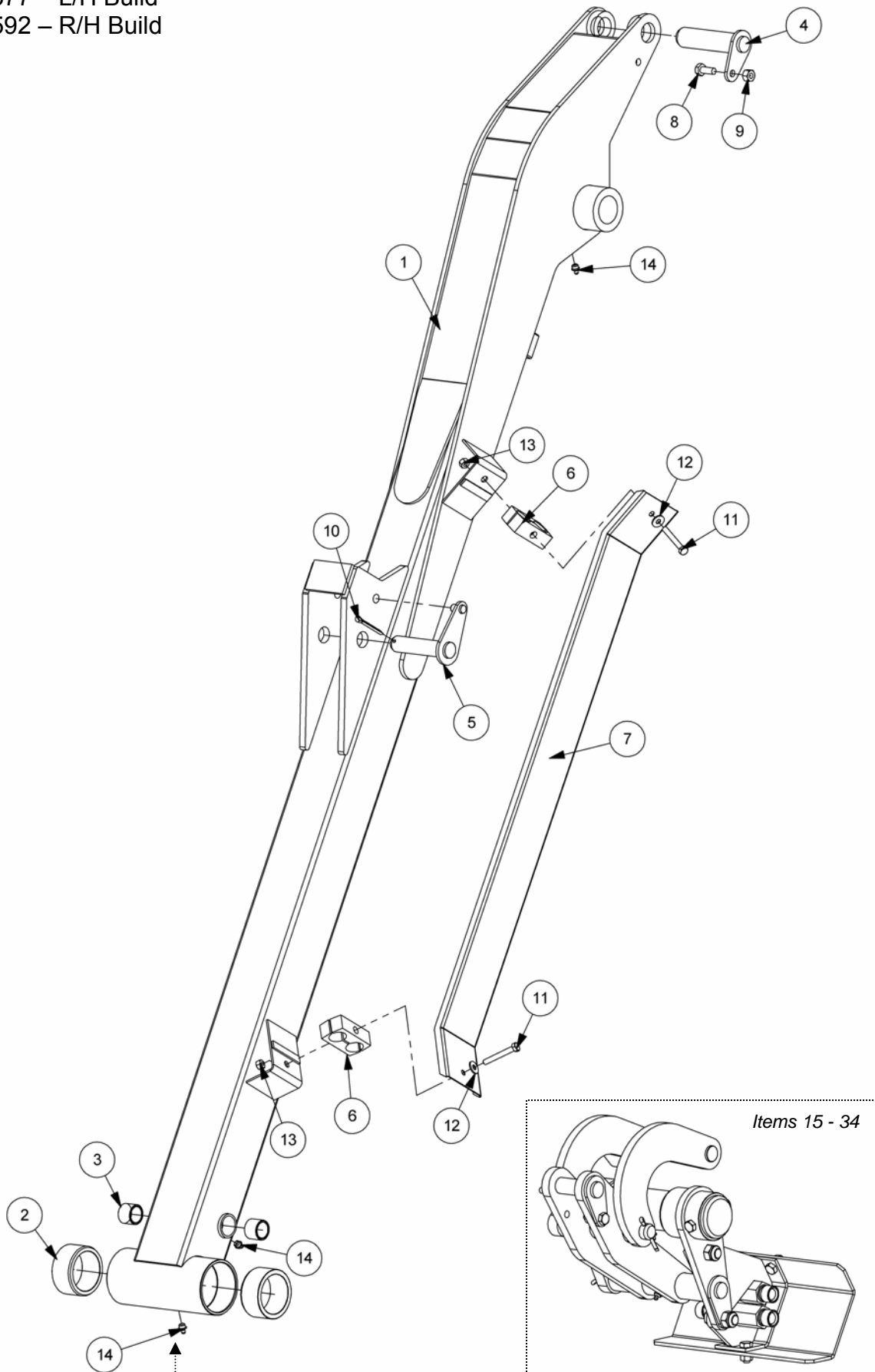
# DIPPER ARM ASSEMBLY

**Modules:**

7447577 – L/H Build

7447592 – R/H Build

*Illustrated in Left Hand Build*



Refer to Head Angling Mechanism page for exploded view of this component

**DIPPER ARM ASSEMBLY**

REF.	QTY.	PART No.	DESCRIPTION
		<b>7447577</b>	<b>DIPPER ARM ASSEMBLY - L/H Build</b>
		<b>7447592</b>	<b>DIPPER ARM ASSEMBLY - R/H Build</b>
1	1	41869.05	DIPPER ARM - L/H Build
	1	41869.06	DIPPER ARM - R/H Build ( <i>not illustrated</i> )
2	2	7136035	PLASTIC BUSH
3	2	41690.01	BUSH
4	1	41692.04	PIN
5	1	7192024	PIN - ANGLE BASE
6	2	7198077	PIPE CLAMP
7	1	21506.01	HOSE COVER
8	1	9313055	SETSCREW
9	1	9143005	SELF-LOCKING NUT
10	1	9501507	SPLIT PIN
11	2	9213124	BOLT
12	2	9100104	FLAT WASHER
13	2	9143004	SELF-LOCKING NUT
14	3	0901121	GREASE NIPPLE

**HEAD ANGLING MECHANISM COMPONENTS**

15	1	7192308	PIVOT TUBE
16	1	7450250	RADIUS ARM - REAR
17	1	7450251	RADIUS ARM - FRONT
18	4	41690.01	BUSH
19	1	7450252	SLAVE LINK
20	1	7192316	JAW PLATE
21	1	7192009	PIN - SLAVE LINK
22	1	7192321	HOSE BRACKET
23	1	7198333	HOSE TRAY
24	1	41693.01	PIN - ANGLE ROD END
25	1	9200028	BOLT
26	1	30.073.25	BOLT
27	2	9100028	SELF-LOCKING NUT
28	1	0423548	SPRING DOWEL
29	1	9213185	BOLT
30	4	9143005	SELF-LOCKING NUT
31	1	9313075	SETSCREW
32	2	9313055	SETSCREW
33	4	9501507	SPLIT PIN
34	2	0901121	GREASE NIPPLE

Refer to Head Angling Mechanism page for exploded view of items 15 - 34

# HEAD ANGLING MECHANISM

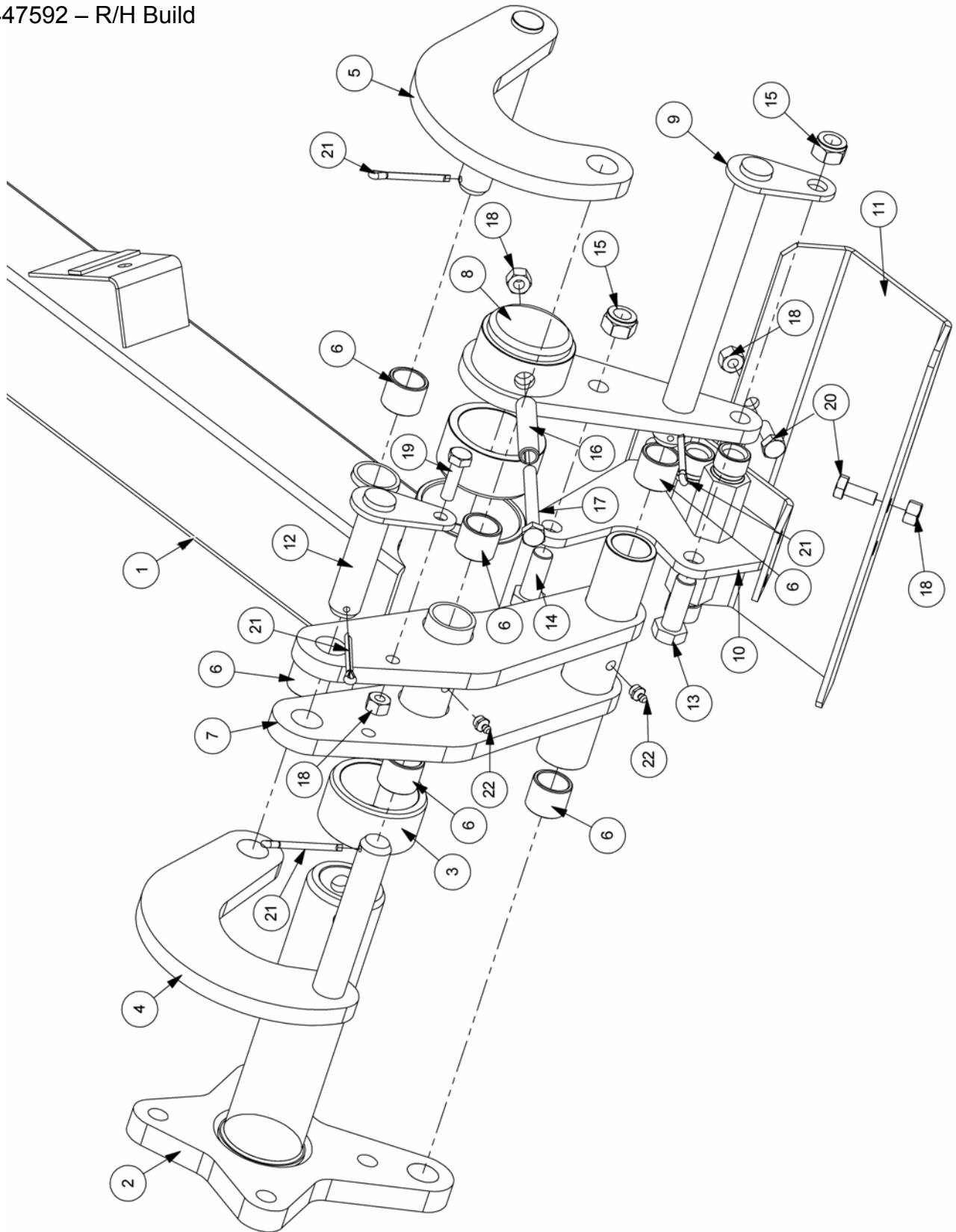
**Modules:**

Sub-Component of Dipper Arm modules:

7447577 – L/H Build

7447592 – R/H Build

*Illustrated in Left Hand Build*

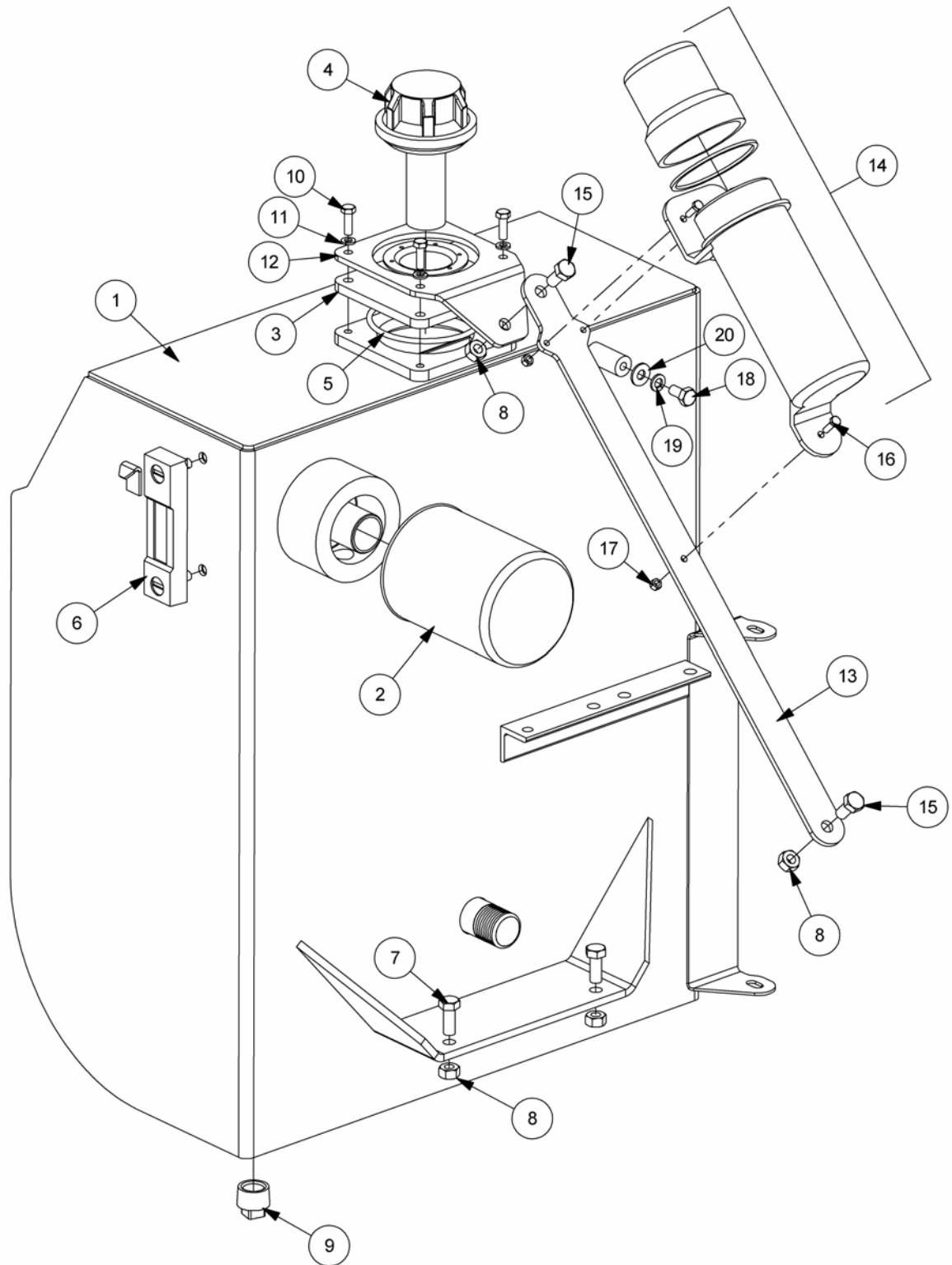


**HEAD ANGLING MECHANISM**

REF.	QTY.	PART No.	DESCRIPTION
			<b>HEAD ANGLING MECHANISM</b>
			<b>(Sub-Component of 7447577 &amp; 74475592)</b>
1	1	41869.05	DIPPER ARM - L/H Build
	1	41869.06	DIPPER ARM - R/H Build <i>(not illustrated)</i>
2	1	7192308	PIVOT TUBE
3	2	7136035	PLASTIC BUSH
4	1	7450250	RADIUS ARM - REAR
5	1	7450251	RADIUS ARM - FRONT
6	6	41690.01	BUSH
7	1	7450252	SLAVE LINK
8	1	7192316	JAW PLATE
9	1	7192009	PIN - SLAVE LINK
10	1	7192321	HOSE BRACKET
11	1	7198333	HOSE TRAY
12	1	41693.01	PIN - ANGLE ROD END
13	1	9200028	BOLT
14	1	30.073.25	BOLT
15	2	9100028	SELF-LOCKING NUT
16	1	0423548	SPRING DOWEL
17	1	9213185	BOLT
18	4	9143005	SELF-LOCKING NUT
19	1	9313075	SETSCREW
20	2	9313055	SETSCREW
21	4	9501507	SPLIT PIN
22	2	0901121	GREASE NIPPLE

**Modules:**  
7447576 – L/H Build  
7447591 – R/H Build

*Illustrated in Left Hand Build*



**HYDRAULIC TANK ASSEMBLY**

REF.	QTY.	PART No.	DESCRIPTION
		<b>7447576</b>	<b>HYDRAULIC TANK ASSEMBLY - L/H Build</b>
		<b>7447591</b>	<b>HYDRAULIC TANK ASSEMBLY - R/H Build</b>
1	1	45243.07	OIL TANK - L/H Build
	1	45243.11	OIL TANK - R/H Build ( <i>not illustrated</i> )
2	1	8401041	FILTER ELEMENT
3	1	43175.01	COVER PLATE
4	1	8401074	FILLER BREATHER
5	1	8600151	O RING
6	1	8401048	LEVEL GAUGE
7	2	9313066	SETSCREW
8	4	9143006	SELF-LOCKING NUT
9	1	8581203	TAPER PLUG - HOLLOW
10	4	9313054	SETSCREW
11	4	9100204	SPRING WASHER
12	1	21504.01	TANK STAY BRACKET
13	1	45865.03	TANK STRAP
14	1	46505.01	LITERATURE HOLDER
15	2	9313056	SETSCREW
16	3	9313043	SETSCREW
17	3	9143003	SELF-LOCKING NUT
18	1	9313045	SETSCREW
19	1	9100205	SPRING WASHER
20	1	9100105	FLAT WASHER

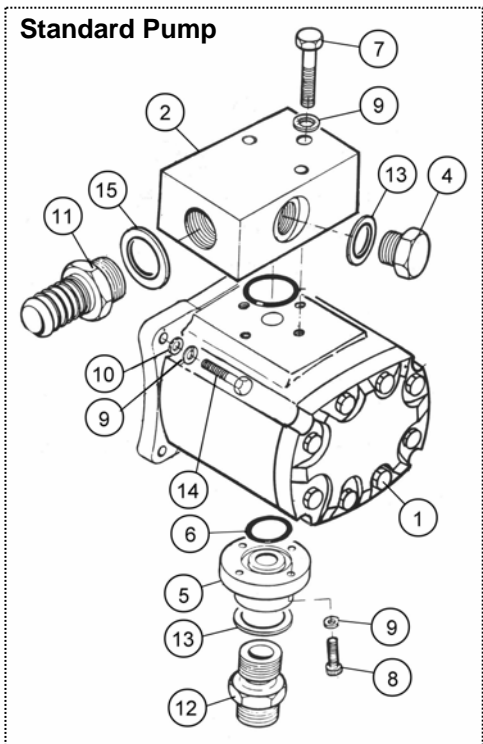
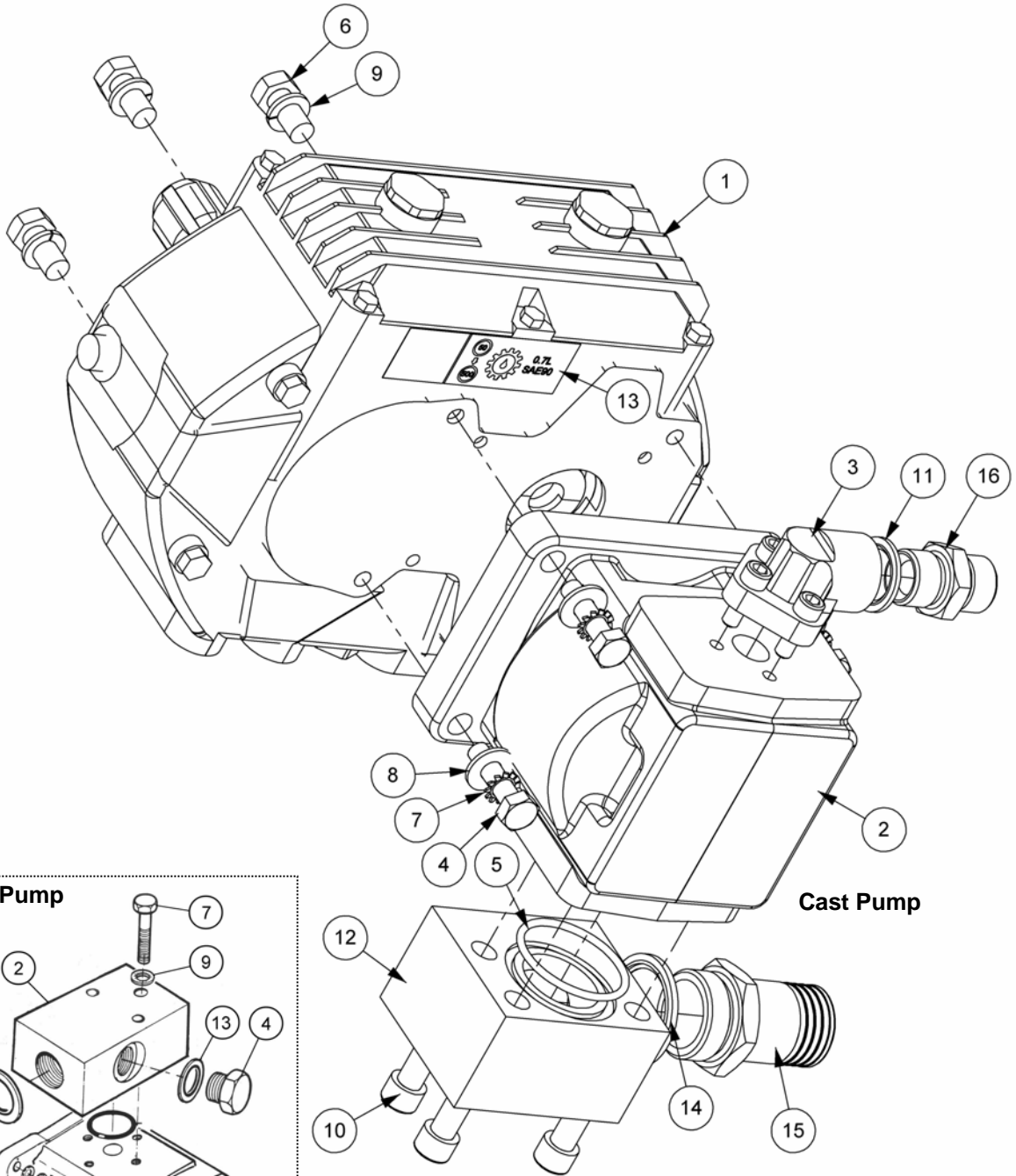


# PUMP & GEARBOX – SI Models

**Modules:**

7447553 – With Cast Iron Pump

8013507 – With Standard Pump



**PUMP & GEARBOX – SI Models**

REF.	QTY.	PART No.	DESCRIPTION
		<b>7447553</b>	<b>CAST PUMP &amp; GEARBOX ASSEMBLY - SI Models</b>
1	1	21931.01	CAST IRON GEARBOX 1:4.25 13T SPLINE
2	1	8201711	PUMP (SI)
3	1	8005052	PRESSURE CONNECTION KIT - <i>includes:</i>
	3	9300147	CAPSCREW
	1	8600403	O RING
4	4	9313085	SETSCREW
5	1	8600304	O RING
6	4	9313056	SETSCREW
7	4	9100405	EXTERNAL SHAKEPROOF WASHER
8	4	9100105	FLAT WASHER
9	4	9100206	SPRING WASHER
10	3	9243126	CAPSCREW
11	1	8650106	BONDED SEAL
12	1	42142.01	BLOCK - SUCTION PARALLEL
13	1	1290092	GEARBOX DECAL
14	1	8650109	BONDED SEAL
15	1	8581260	ADAPTOR (LP)
16	1	8581136	ADAPTOR

REF.	QTY.	PART No.	DESCRIPTION
		<b>8013507</b>	<b>STD. PUMP &amp; GEARBOX ASSEMBLY - SI Models</b>
1	1	8201463	PUMP
2	1	7192372	SUCTION BLOCK
3	1	8600122	O RING
4	1	8581302	PLUG
5	1	8013088	PUMP FLANGE
6	1	8600119	O RING
7	3	9213144	BOLT
8	4	9313054	SETSCREW
9	7	9100204	SHAKEPROOF WASHER
10	4	9100104	WASHER
11	1	8581260	ADAPTOR
12	1	8581136	UNION
13	2	8650106	BONDED SEAL
14	4	9213074	BOLT
15	1	8650109	BONDED SEAL
16	1	21931.01	CAST IRON GEARBOX 1:4.25 13T SPLINE
		<b>8699231</b>	<b>PUMP SEAL KIT</b>

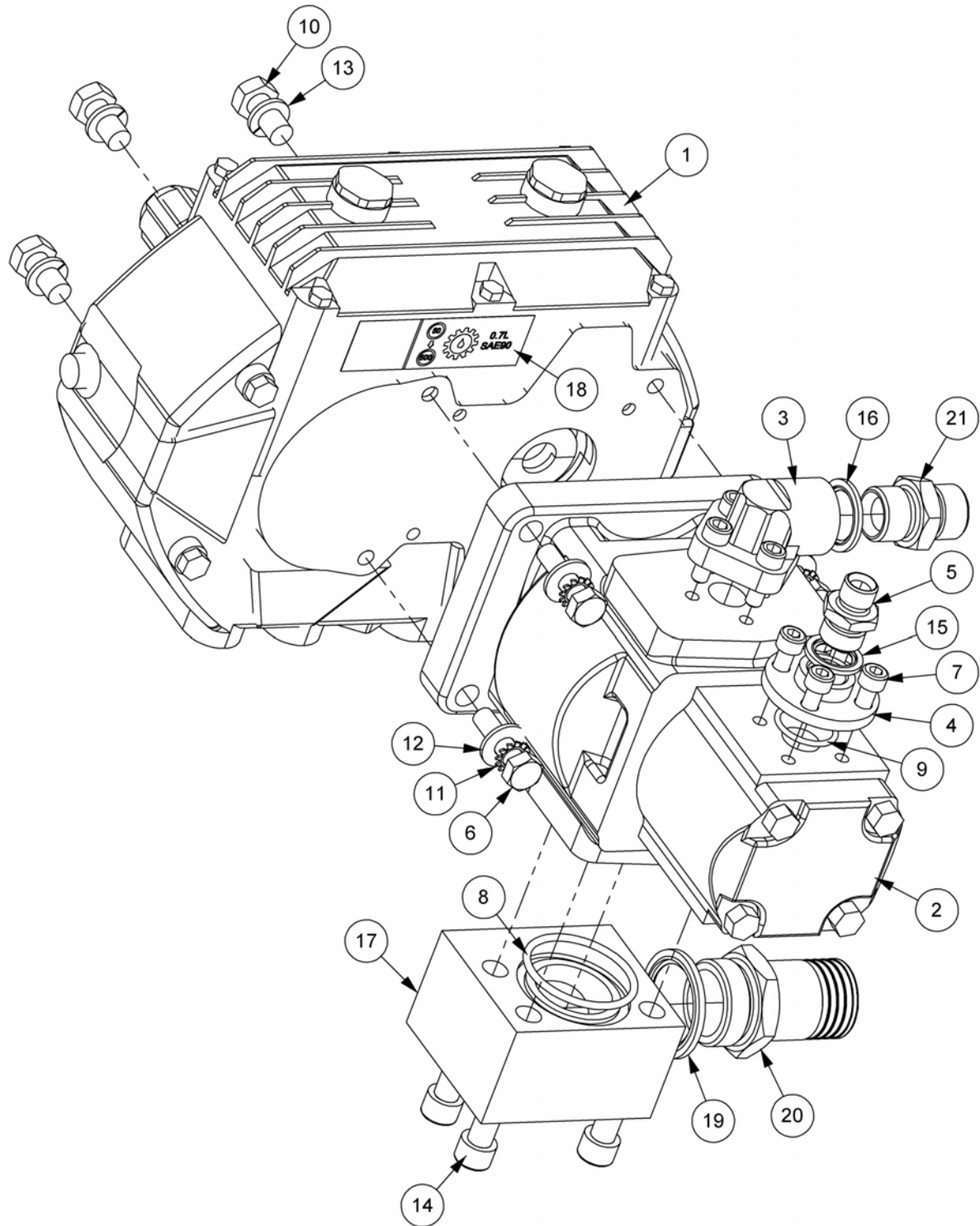
# PUMP & GEARBOX – TI Models

**Modules:**

7447555 – L/H Build

7447554 – R/H Build

*Illustrated in Left Hand Build*

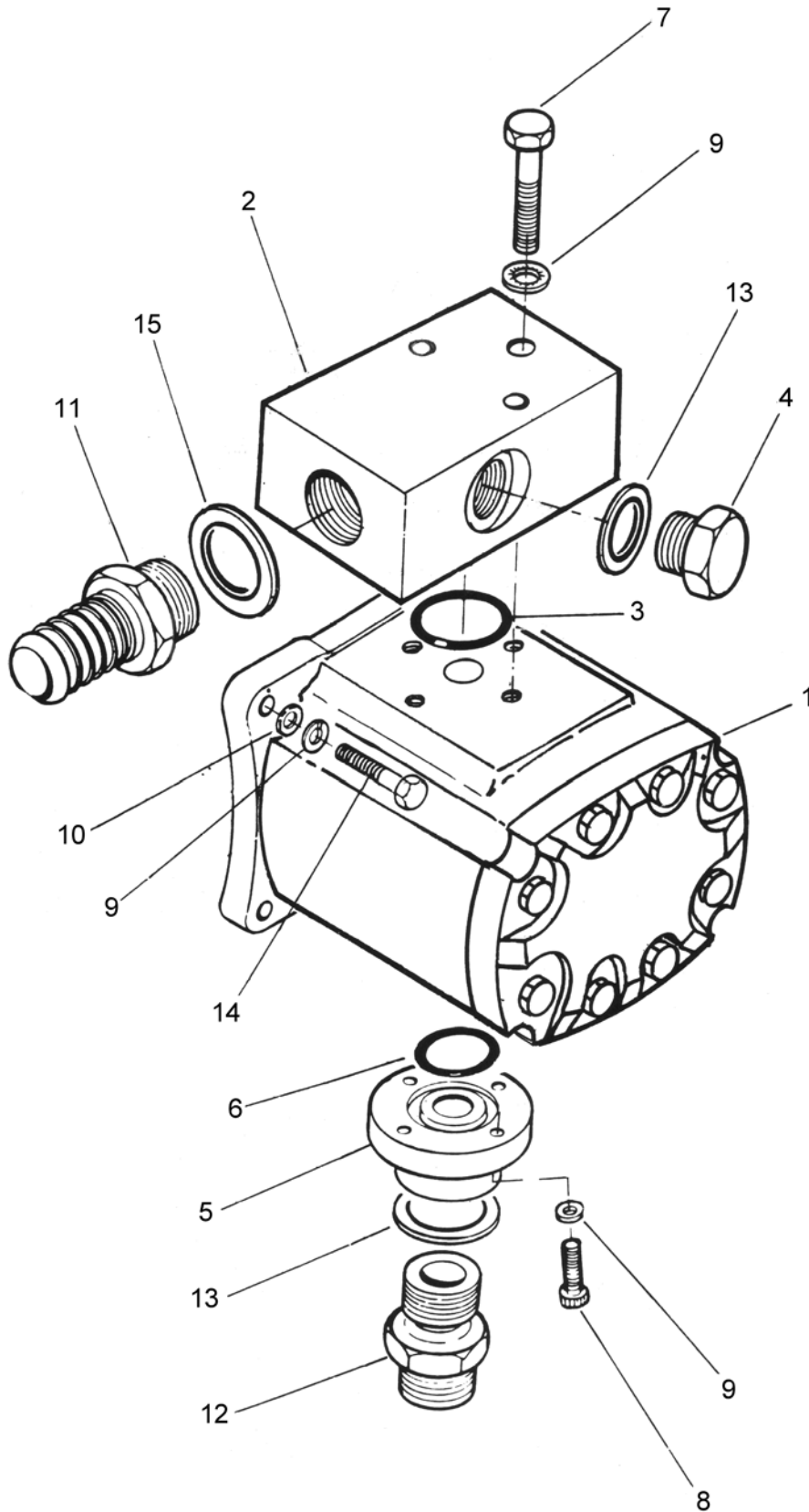


**PUMP & GEARBOX – TI Models**

REF.	QTY.	PART No.	DESCRIPTION
		<b>7447555</b>	<b>TI PUMP &amp; GEARBOX ASSEMBLY - L/H Build</b>
		<b>7447554</b>	<b>TI PUMP &amp; GEARBOX ASSEMBLY - R/H Build</b>
1	1	21931.01	CAST IRON GEARBOX 1:4.25 13T SPLINE
2	1	8201710	PUMP IRON TI
3	1	8005052	PRESSURE CONNECTION KIT - <i>includes:</i>
	3	9300147	CAPSCREW
	1	8600403	O RING
4	1	42029.01	PORT PLATE
5	1	6000112	ADAPTOR
6	4	9313085	SETSCREW
7	4	9300147	CAPSCREW
8	1	8600304	O RING
9	1	8600405	O RING
10	4	9313056	SETSCREW
11	4	9100405	EXTERNAL SHAKEPROOF WASHER
12	4	9100105	FLAT WASHER
13	4	9100206	SPRING WASHER
14	3	9243126	CAPSCREW
15	1	8650104	BONDED SEAL
16	1	8650106	BONDED SEAL
17	1	42142.01	BLOCK - SUCTION PARALLEL
18	1	1290092	GEARBOX DECAL
19	1	8650109	BONDED SEAL
20	1	8581260	ADAPTOR (LP)
21	1	8581136	ADAPTOR

**Modules:**  
8013511 – L/H Build  
8013507 – R/H Build

*Illustrated in Left Hand Build*



**SI PUMP ASSEMBLY (Standard)**

REF.	QTY.	PART No.	DESCRIPTION
		<b>8013511</b>	<b>SI PUMP ASSEMBLY - L/H BUILD</b>
		<b>8013507</b>	<b>SI PUMP ASSEMBLY - R/H BUILD</b>
1	1	8201463	PUMP
2	1	7192371	SUCTION BLOCK - L/H BUILD
	1	7192372	SUCTION BLOCK - R/H BUILD ( <i>not illustrated</i> )
3	1	8600122	'O' RING
4	1	8581302	PLUG
5	1	8013088	PUMP FLANGE
6	1	8600119	'O' RING
7	3	9213144	BOLT
8	4	9313054	SETSCREW
9	11	9100404	SHAKEPROOF WASHER
10	4	9100104	PLAIN WASHER
11	1	8581260	ADAPTOR
12	1	8581136	UNION
13	2	8650106	BONDED SEAL
14	4	9213094	BOLT
15	3	8650109	BONDED SEAL
		<b>8699231</b>	<b>PUMP SEAL KIT</b>

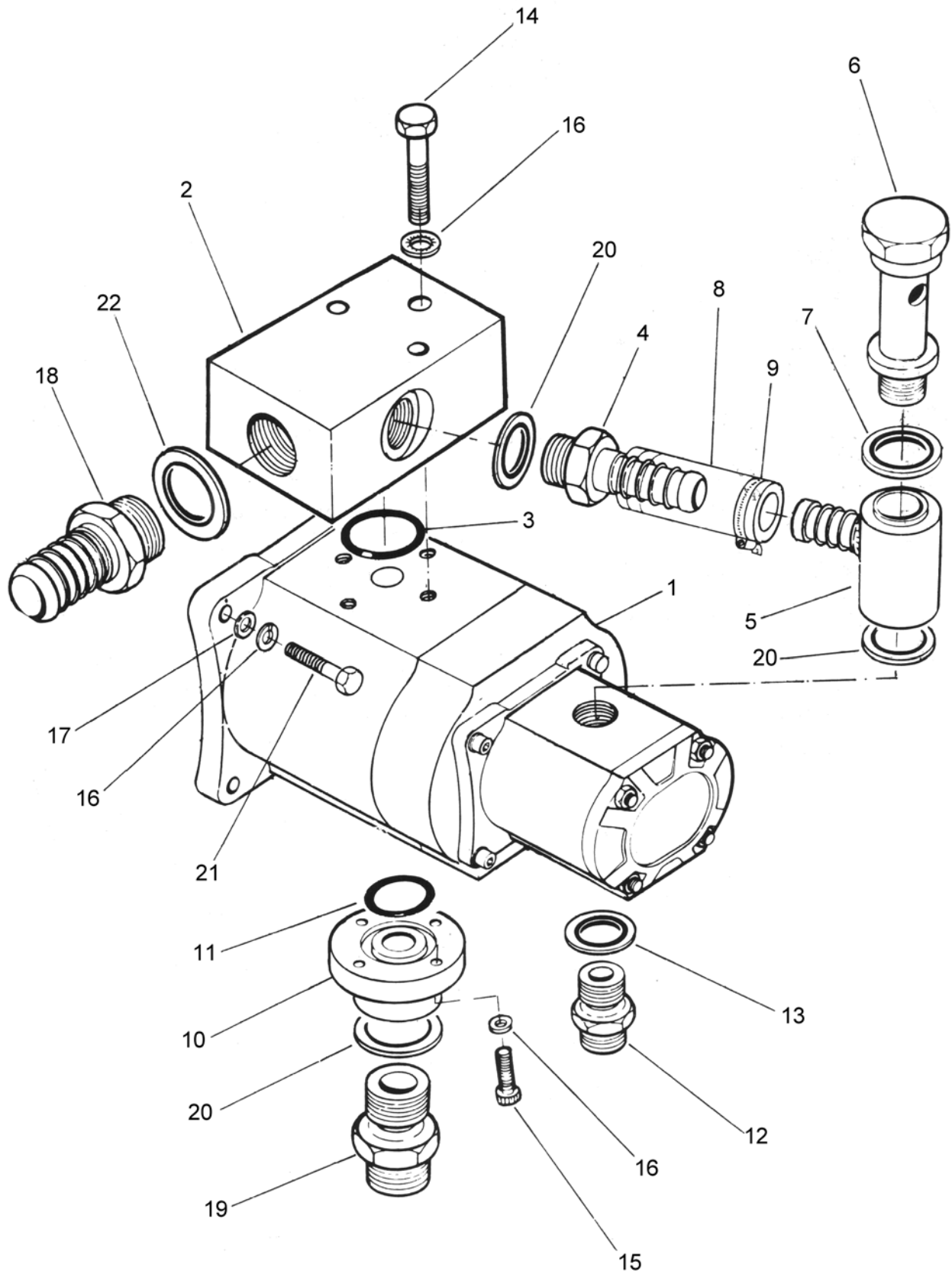
PA47 Mk2

# TI PUMP ASSEMBLY (Standard)



**Modules:**  
7447562 – L/H Build  
8013505 – R/H Build

*Illustrated in Left Hand Build*



**TI PUMP ASSEMBLY (Standard)**

REF.	QTY.	PART No.	DESCRIPTION
		<b>7447562</b>	<b>TI PUMP &amp; GEARBOX ASSEMBLY - L/H Build</b>
		<b>8013505</b>	<b>TI PUMP &amp; GEARBOX ASSEMBLY - R/H Build</b>
1	1	8201466	TANDEM PUMP - <i>comprising of:</i>
	1	8201684	LARGE PUMP
	1	8201677	SMALL PUMP
2	1	7192371	SUCTION BLOCK - L/H BUILD
	1	7192372	SUCTION BLOCK - R/H BUILD
3	1	8600122	'O' RING
4	1	8581301	ADAPTOR - LOW PRESSURE
5	1	8013096	BANJO
6	1	8013095	BANJO BOLT
7	1	8650107	BONDED SEAL
8	1	8501213	CONNECTING HOSE
9	2	0904204	HOSE CLIP
10	1	8013088	PUMP FLANGE
11	1	8600119	'O' RING
12	1	8581110	ADAPTOR
13	1	8550104	BONDED SEAL
14	3	9213144	BOLT
15	4	9313054	SETSCREW
16	11	9100404	SHAKEPROOF WASHER
17	4	9100104	PLAIN WASHER
18	1	8581260	ADAPTOR - LOW PRESSURE
19	1	8581136	UNION
20	3	8650106	BONDED SEAL
21	4	9213094	BOLT
22	1	8650109	BONDED SEAL
23	1	21931.01 *	GEARBOX - <i>not shown</i>
24	1	1290092	GEARBOX DECAL - <i>not shown</i>
		<b>8699231</b>	<b>PUMP SEAL KIT</b>

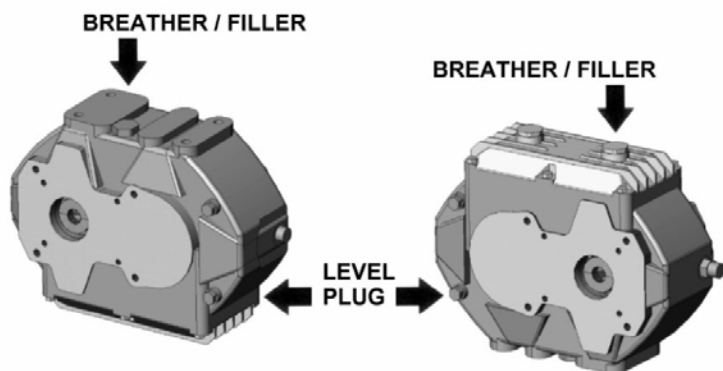
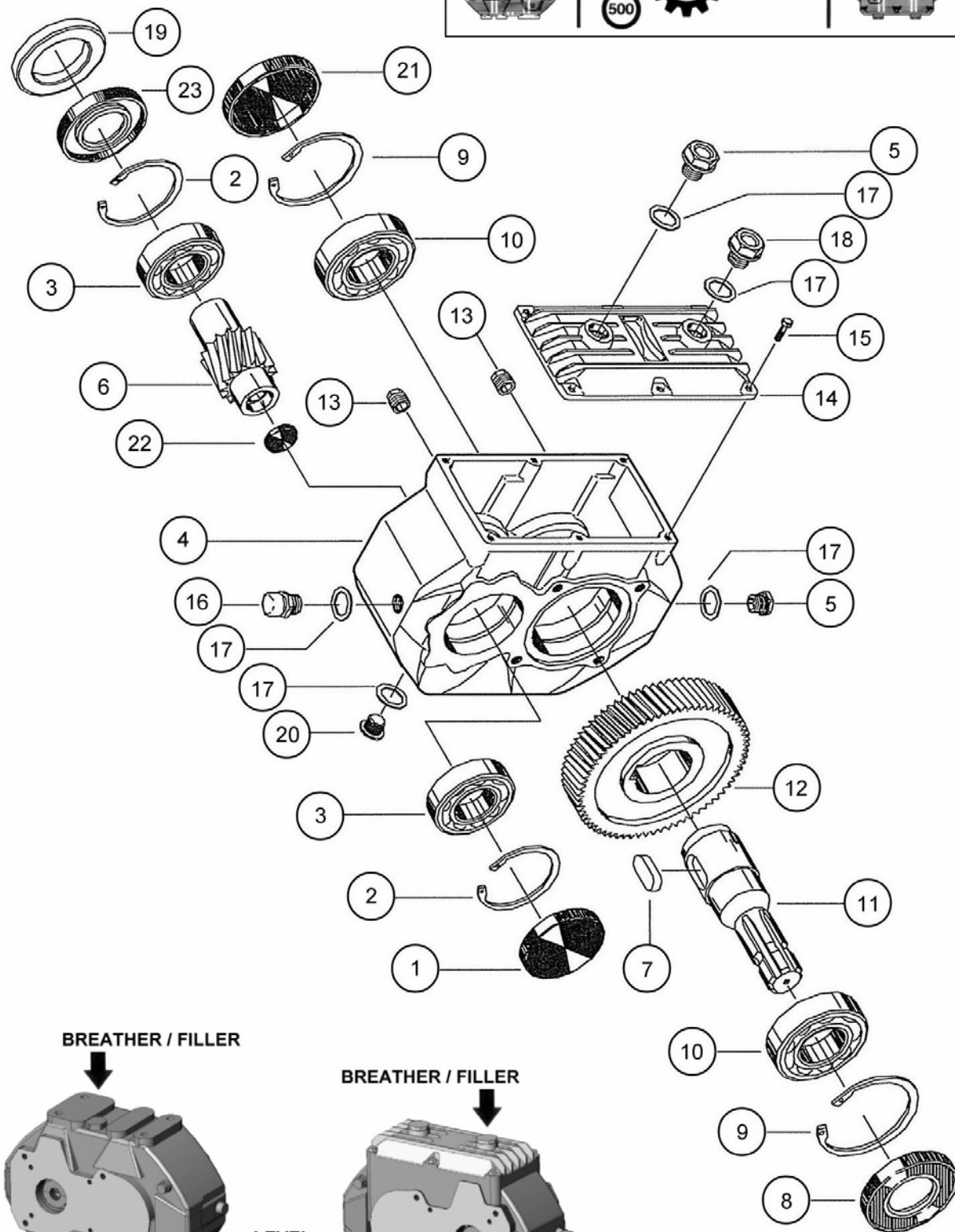
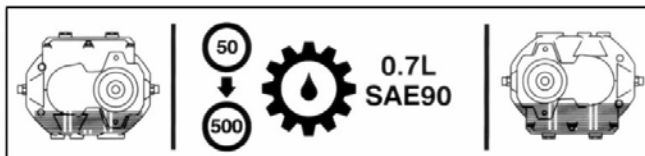
\* Refer to gearbox pages for exploded view and parts breakdown of this component



# GEARBOX ASSEMBLY

**Modules:**

21931.01 – Gearbox (Ratio 1:4.25) 13T



NOTE: Plug positions are dependent on gearbox orientation

**GEARBOX ASSEMBLY**

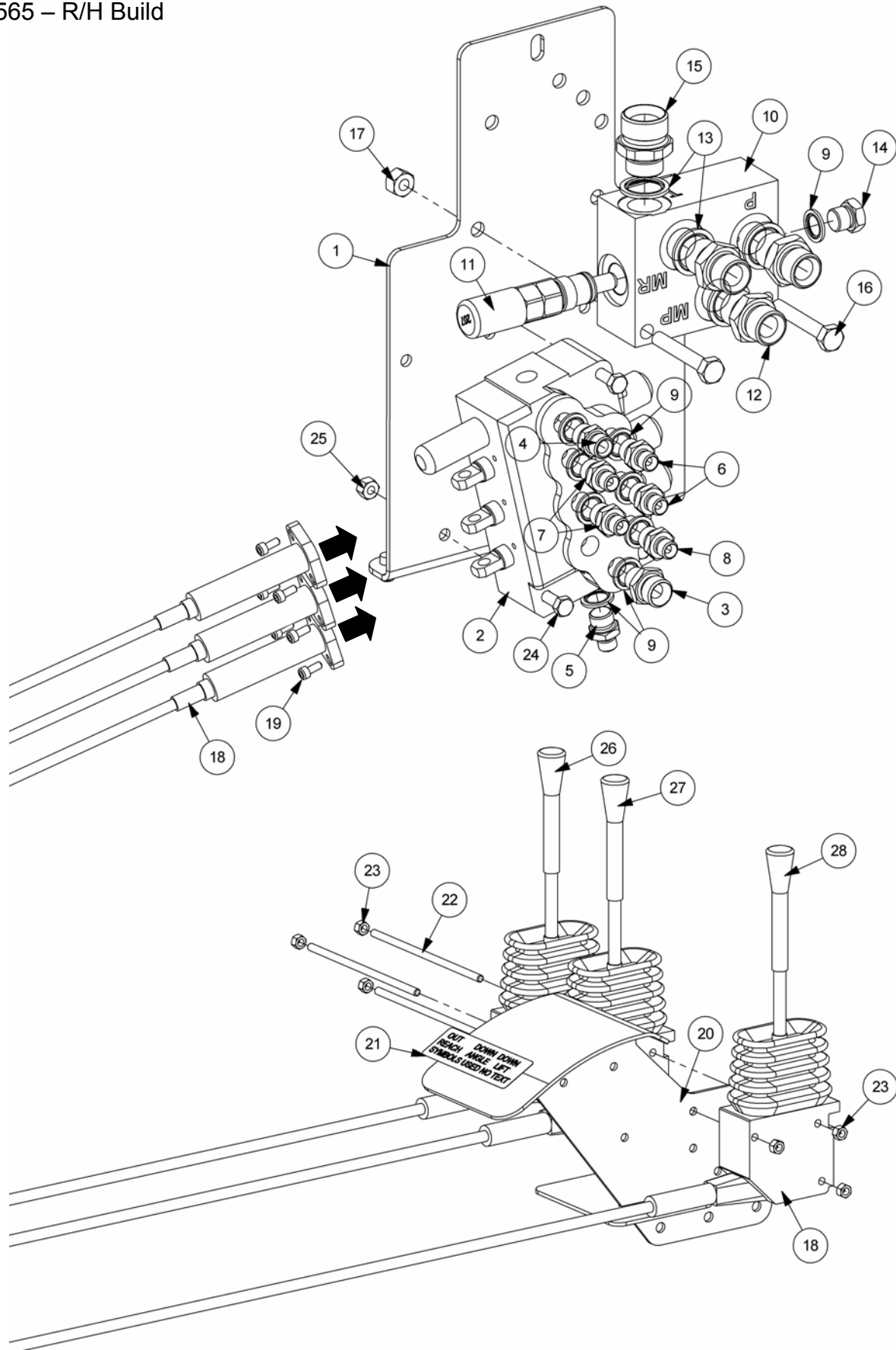
REF.	QTY.	PART No.	DESCRIPTION
		<b>21931.01</b>	<b>GEARBOX ASSEMBLY (Cast Iron)</b>
		<i>Specification:</i>	<i>Ratio 1:4.25 with 13 tooth spline</i>
1	1	8013530	CAP
2	2	8013529	INTERNAL CIRCLIP
3	2	8013528	BEARING
4	1	8013585	GEARBOX CASTING
5	2	8013533	DRAIN PLUG
6	1	8013575	SHAFT
7	1	8013586	DRIVESHAFT KEY
8	2	8013526	SHAFT SEAL
9	2	8013525	INTERNAL CIRCLIP
10	1	8013524	BEARING
11	1	8013522	INPUT SHAFT
12	1	8013587	PRIMARY GEAR
13	2	8013588	LEVEL PLUG
14	1	8013589	GEARBOX COVER
15	6	9313033	SCREW
16	1	8013590	OIL PLUG
17	5	8013591	SEALING WASHER
18	1	8013592	OIL PLUG
19	1	8013576	RING
20	1	8013593	OIL PLUG
21	1	8013527	CAP
22	1	8013594	OIL PLUG
23	1	8699264	GEARBOX SEAL

**Modules:**

7447564 – L/H Build

7447565 – R/H Build

*Illustrated in Left Hand Build*



**CONTROL ASSEMBLY – Cable SI**

REF.	QTY.	PART No.	DESCRIPTION
		<b>7447564</b>	<b>SI CABLE CONTROL ASSEMBLY - L/H Build</b>
		<b>7447565</b>	<b>SI CABLE CONTROL ASSEMBLY - R/H Build</b>
1	1	45850.31	VALVE PLATE
2	1	8130580	VALVE - 3 SPOOL
3	1	6000112	ADAPTOR
4	1	6000113	ADAPTOR
5	1	8581115	ADAPTOR
6	2	8130066	ADAPTOR RESTRICTOR - 1.15 'S'
7	2	8130046	ADAPTOR RESTRICTOR - 1.5 'A'
8	1	8130048	ADAPTOR RESTRICTOR - 1.3 'C'
9	9	8650103	BONDED SEAL
10	1	8125352	BLOCK - ROTOR RELIEF SI
11	1	8125095	RELIEF VALVE - 207 BAR
12	3	8581136	ADAPTOR
13	4	8650106	BONDED SEAL
14	1	8003001	ADAPTOR PLUG
15	1	8002086	ADAPTOR
16	2	9213135	BOLT
17	2	9143005	SELF-LOCKING NUT
18	3	8017058	ARM CONTROL HEAD & CABLE - 2.5m
19	6	9343022	CAPSCREW
20	1	7650305	CABLE ARMREST - 3 LEVER
21	1	1290368	CONTROL DECAL
22	3	04.282.73	STUD
23	6	9143003	SELF-LOCKING NUT
24	3	9213124	BOLT
25	3	9143004	SELF-LOCKING NUT
26	1	09.968.99	KNOB (RED) - <i>Reach Control Lever</i>
27	1	8017067	KNOB (GREEN) - <i>Angle Control Lever</i>
28	1	8017068	KNOB (YELLOW) - <i>Lift Control Lever</i>

# CONTROL ASSEMBLY – Cable TI

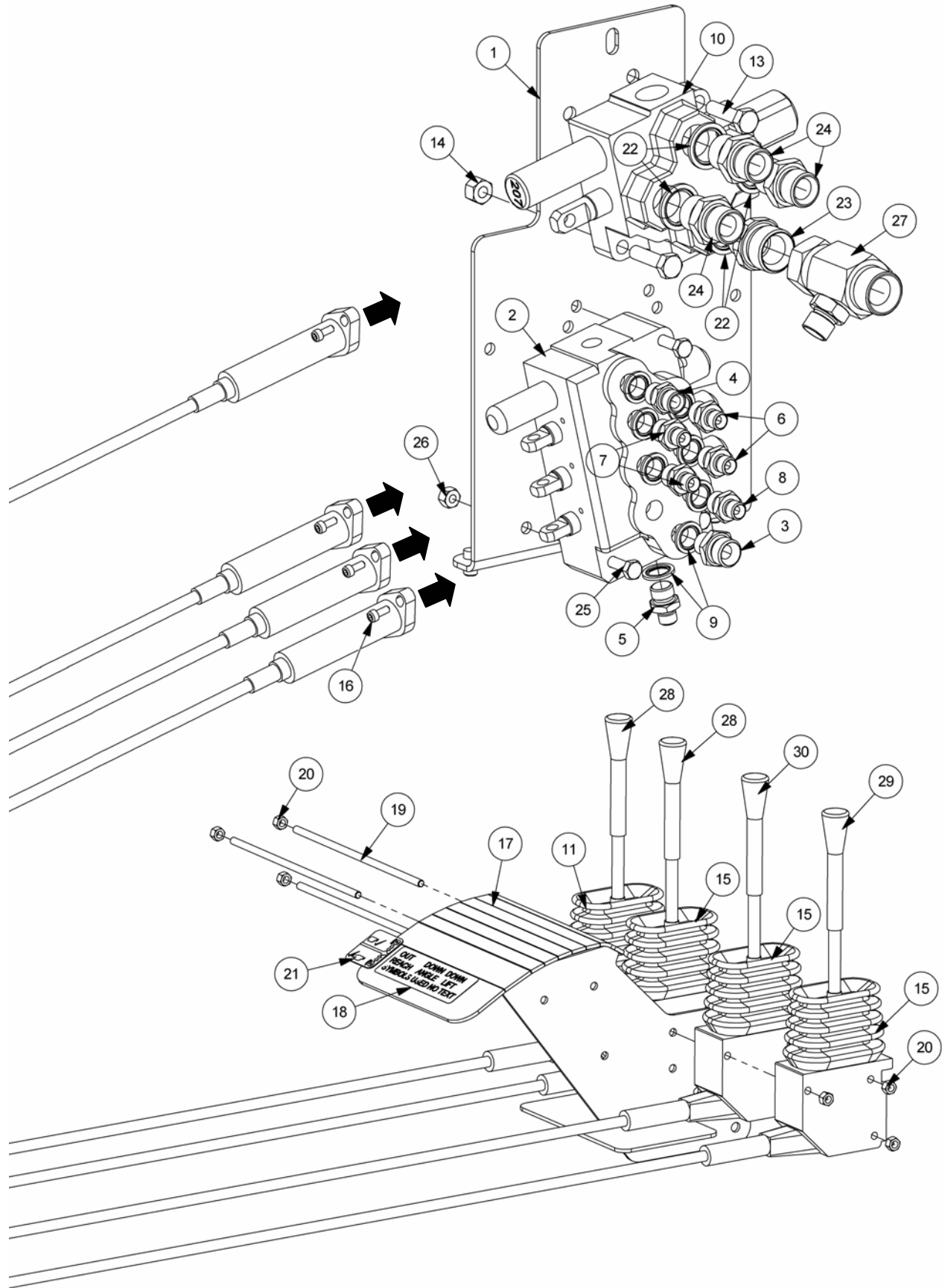
**Modules:**

7447566 – L/H Build

7447567 – R/H Build

7447570 – R/H Build with Angle Float

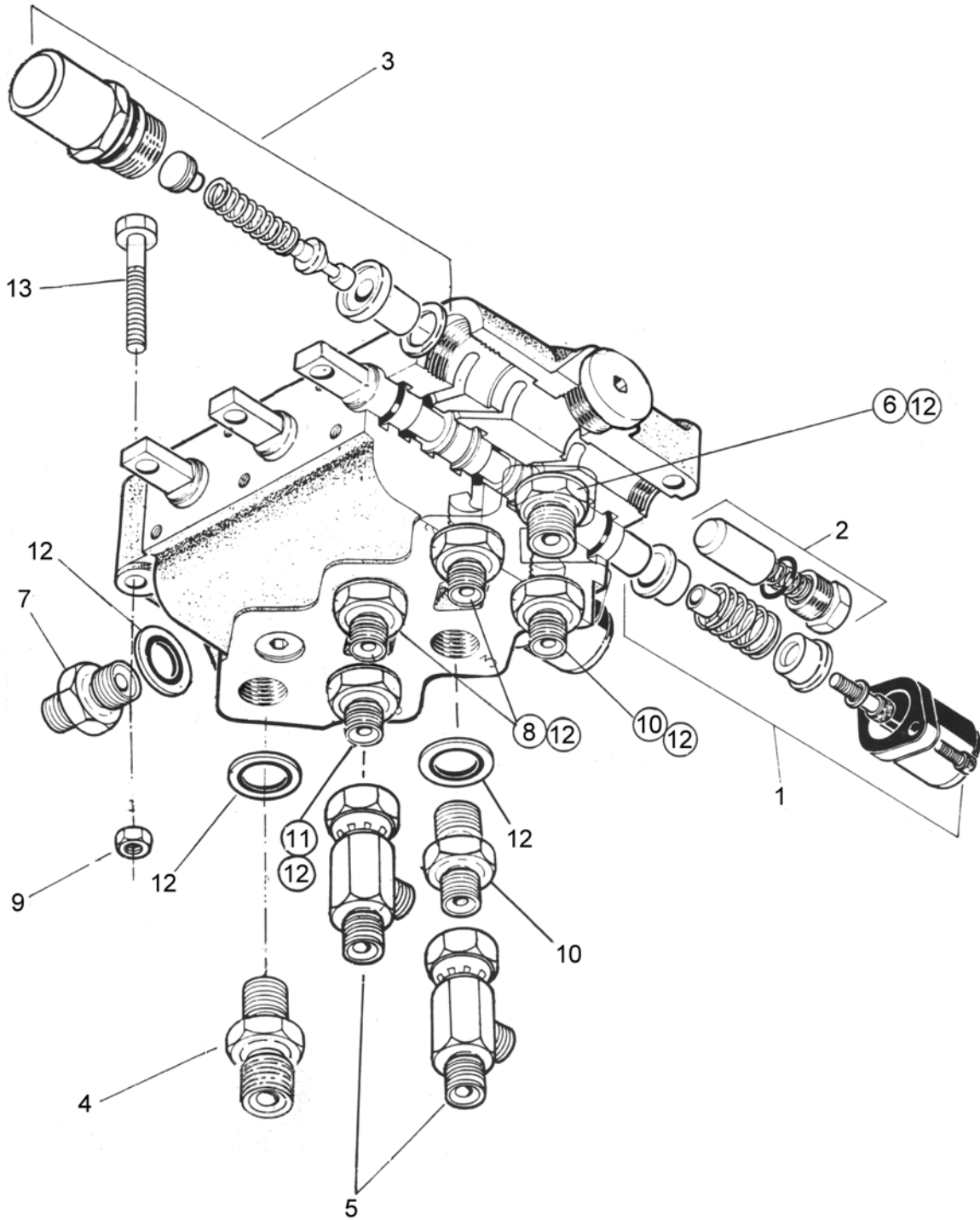
*Illustrated in Left Hand Build*



**CONTROL ASSEMBLY – Cable TI**

REF.	QTY.	PART No.	DESCRIPTION
		<b>7447566</b>	<b>TI CABLE CONTROL ASSEMBLY - L/H Build</b>
		<b>7447567</b>	<b>TI CABLE CONTROL ASSEMBLY - R/H Build</b>
		<b>7447570</b>	<b>TI CABLE CONTROL ASSEMBLY - R/H Build with A/Float</b>
1	1	45850.31	VALVE PLATE
2	1	8130580	CONTROL VALVE
	1	8130417	CONTROL VALVE - <i>Angle Float Models</i>
3	1	6000112	ADAPTOR
4	1	6000113	ADAPTOR
5	1	8581115	ADAPTOR
6	2	8130066	ADAPTOR RESTRICTOR - 1.15 'S'
7	2	8130046	ADAPTOR RESTRICTOR - 1.5 'A'
8	1	8130048	ADAPTOR RESTRICTOR - 1.3 'C'
9	8	8650103	BONDED SEAL
10	1	8125385	RCV - 207 BAR - L/H Build
	1	8125355	RCV - 207 BAR - R/H Build
11	1	8017065	ROTOR CONTROL HEAD & CABLE - 2.5m
12	2	9343023	CAPSCREW
13	2	9213085	BOLT
14	2	9143005	SELF-LOCKING NUT
15	3	8017058	ARM CONTROL HEAD & CABLE 2.5m
16	6	9343022	CAPSCREW
17	1	7650306	CABLE ARMREST - 4 LEVER
18	1	1290368	CONTROL STICKER
19	3	04.282.70	STUD
20	6	9143003	SELF-LOCKING NUT
21	1	1290338	DECAL - ROTOR REVERSE
22	4	8650106	BONDED SEAL
23	1	8002086	ADAPTOR
24	3	8581136	ADAPTOR
25	3	9213124	BOLT
26	3	9143004	SELF-LOCKING NUT
27	1	04.056.34	ADAPTOR TEE
28	2	09.968.99	KNOB (RED) - <i>Reach &amp; Rotor Control Levers</i>
29	1	8017068	KNOB (YELLOW) - <i>Lift Control Lever</i>
30	1	8017067	KNOB (GREEN) - <i>Angle Control Lever</i>

Module:  
8130589



**CABLE CONTROL VALVE**

REF.	QTY.	PART No.	DESCRIPTION
		<b>8130589</b>	<b>ARM CONTROL VALVE ASSEMBLY</b>
		8130580	VALVE - <i>including:</i>
1	3	8130134	CENTERING SPRING ASSEMBLY
2	1	8130022	NON RETURN VALVE ASSEMBLY
3	1	G3812539	RELIEF VALVE ASSEMBLY 2320 psi (160 bar)
4	1	6000112	ADAPTER
5	2	8581254	TEE
6	1	6000113	UNION
7	1	8581115	ADAPTER
8	2	8130046	RESTRICTOR UNION 'A'
9	3	9113004	SELF LOCKING NUT
10	2	8130066	RESTRICTOR UNION 'M'
11	1	8130048	RESTRICTOR UNION 'C'
12	8	8650103	BONDED SEAL
13	3	9213124	BOLT
		<b>8699163</b>	<b>SEAL KIT</b>

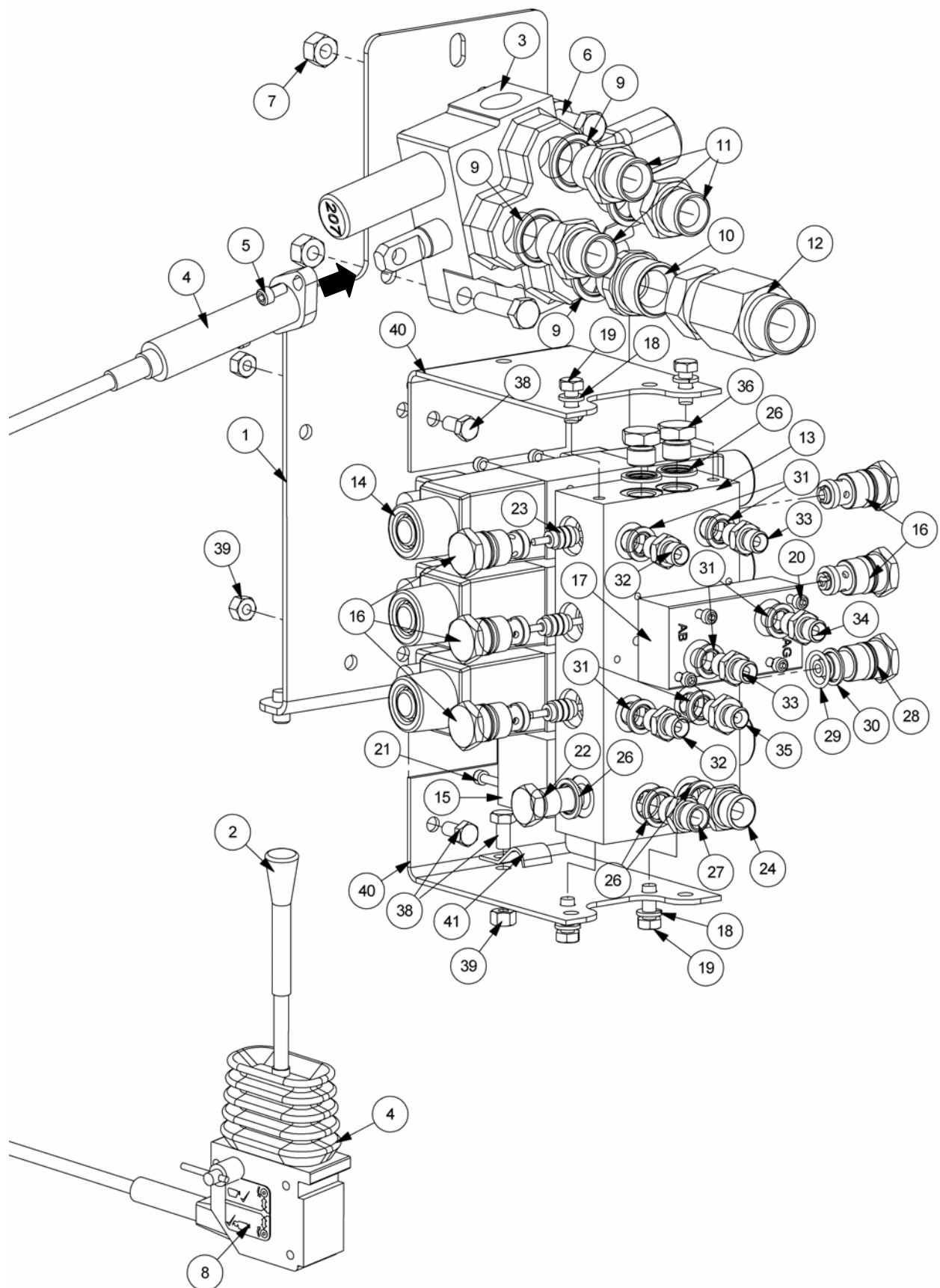


**Modules:**

7447568 – L/H Build

7447569 – R/H Build

*Illustrated in Left Hand Build*





REF.	QTY.	PART No.	DESCRIPTION
		<b>7447568</b>	<b>TI ELECTRIC CONTROL ASSEMBLY - L/H Build</b>
		<b>7447569</b>	<b>TI ELECTRIC CONTROL ASSEMBLY - R/H Build</b>
1	1	45850.01	VALVE PLATE
2	1	09.968.99	KNOB (RED) - <i>Rotor Control Lever</i>
3	1	8125385	RCV - 207 BAR - L/H Build
	1	8125355	RCV - 207 BAR - R/H Build
4	1	8017065	ROTOR CONTROL HEAD & CABLE - 2.5m
5	2	9343023	CAPSCREW
6	2	9213085	BOLT
7	2	9143005	SELF-LOCKING NUT
8	1	1290338	DECAL - ROTOR REVERSE
9	4	8650106	BONDED SEAL
10	1	8002086	ADAPTOR
11	3	8581136	ADAPTOR
12	1	04.056.34	ADAPTOR TEE
13	1	8130321	BLOCK - 3 FUNCTION MANIFOLD
14	3	8130629	VALVE - DOUBLE SOLENOID
15	1	8130456	CUT OFF SOLENOID VALVE
16	5	8130090	CHECK VALVE ASSEMBLY
17	1	8130322	HOSE PLATE
18	4	9100204	SPRING WASHER
19	4	9313044	SETSCREW
20	4	9243082	CAPSCREW
21	16	9243062	CAPSCREW
22	1	8130032	RELIEF VALVE CAP
23	3	8130087	ACTUATOR
24	1	6000112	ADAPTOR
25	1	8130092	RELIEF VALVE - 190BAR
26	5	8650103	BONDED SEAL
27	1	6000113	ADAPTOR
28	1	8130078	CHECK VALVE CAP
29	1	8700644	O RING
30	1	8709644	AE RING
31	6	8650102	BONDED SEAL
32	2	8130038	ADAPTOR RESTRICTOR - 1.4 'L'
33	2	8130037	ADAPTOR RESTRICTOR - 1.15 'S'
34	1	8130103	ADAPTOR RESTRICTOR - 0.9 'T'
35	1	8581169	ADAPTOR
36	2	8003001	ADAPTOR PLUG
37	7	8700511	O RING
38	5	9313034	SETSCREW
39	5	9143004	SELF-LOCKING NUT
40	2	7198050	VALVE BRACKET
41	1	7109151	CABLE CLAMP
42	1	41844.02	LOOM 14 CORE PLUG IN ( <i>not illustrated</i> )

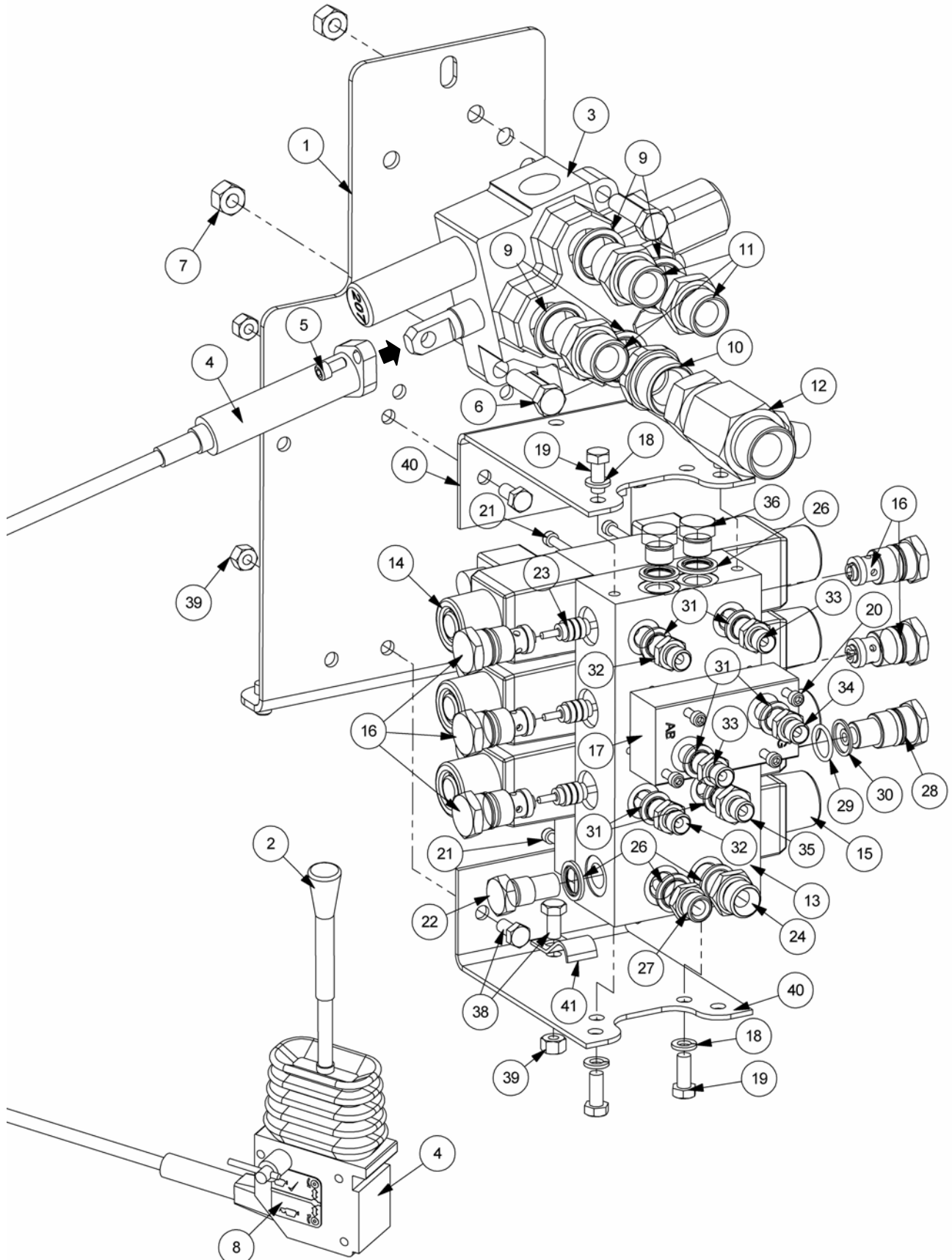
# CONTROL ASSEMBLY – Prop. TI

**Modules:**

7447572 – L/H Build

7447573 – R/H Build

*Illustrated in Left Hand Build*



**CONTROL ASSEMBLY – Prop. TI**

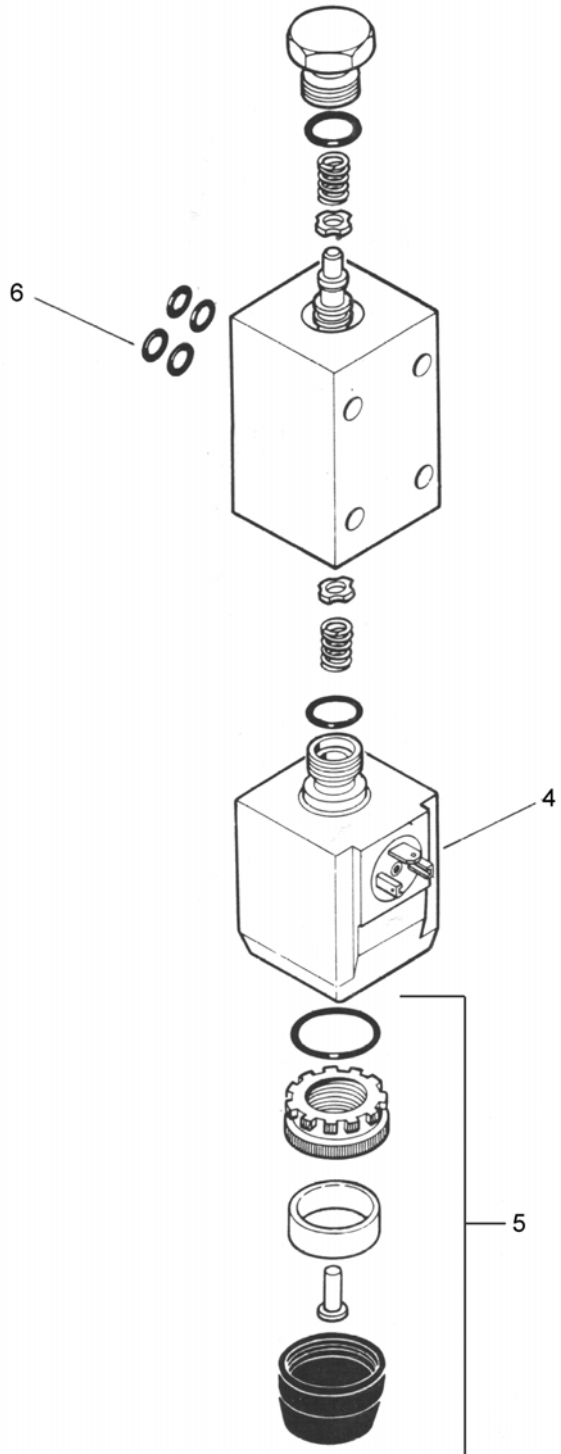
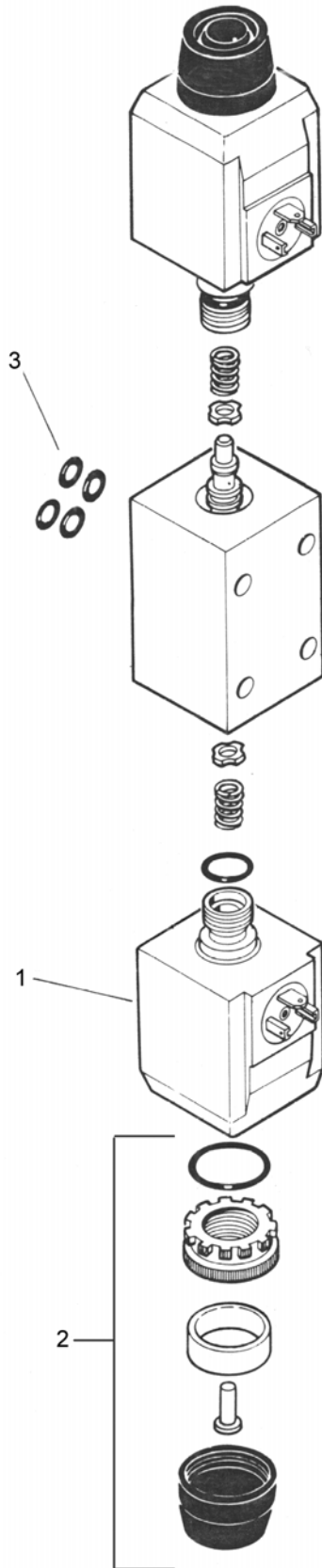
REF.	QTY.	PART No.	DESCRIPTION
		<b>7447572</b>	<b>TI PROPORTIONAL CONTROL ASSEMBLY - L/H Build</b>
		<b>7447573</b>	<b>TI PROPORTIONAL CONTROL ASSEMBLY - R/H Build</b>
1	1	45850.31	VALVE PLATE
2	1	09.968.99	KNOB (RED) - <i>Rotor Control Lever</i>
3	1	8125385	RCV - 207 BAR - L/H Build
	1	8125355	RCV - 207 BAR - R/H Build
4	1	8017065	ROTOR CONTROL HEAD & CABLE - 2.5m
5	2	9343023	CAPSCREW
6	2	9213085	BOLT
7	2	9143005	SELF-LOCKING NUT
8	1	1290338	DECAL - ROTOR REVERSE
9	4	8650106	BONDED SEAL
10	1	8002086	ADAPTOR
11	3	8581136	ADAPTOR
12	1	04.056.34	ADAPTOR TEE
13	1	8130321	BLOCK - 3 FUNCTION MANIFOLD
14	3	41784.48	DOUBLE SOLENOID PROPORTIONAL VALVE
15	1	8130456	CUT OFF SOLENOID VALVE
16	5	8130090	CHECK VALVE ASSEMBLY
17	1	8130322	HOSE PLATE
18	4	9100204	SPRING WASHER
19	4	9313044	SETSCREW
20	4	9243082	CAPSCREW
21	16	9243062	CAPSCREW
22	1	8130032	RELIEF VALVE CAP
23	3	8130087	ACTUATOR
24	1	6000112	ADAPTOR
25	1	8130092	RELIEF VALVE - 190BAR
26	5	8650103	BONDED SEAL
27	1	6000113	ADAPTOR
28	1	8130078	CHECK VALVE CAP
29	1	8700644	O RING
30	1	8709644	AE RING
31	6	8650102	BONDED SEAL
32	2	8130038	ADAPTOR RESTRICTOR - 1.4 'L'
33	2	8130037	ADAPTOR RESTRICTOR - 1.15 'S'
34	1	8130103	ADAPTOR RESTRICTOR - 0.9 'T'
35	1	8581169	ADAPTOR
36	2	8003001	ADAPTOR PLUG
37	7	8700511	O RING
38	5	9313034	SETSCREW
39	5	9143004	SELF-LOCKING NUT
40	2	7198050	VALVE BRACKET
41	1	7109151	CABLE CLAMP
42	1	41844.02	LOOM 14 CORE PLUG IN ( <i>not illustrated</i> )

# SOLENOID VALVES

**Modules:**

8130456 – Single Solenoid

8130629 – Double Solenoid



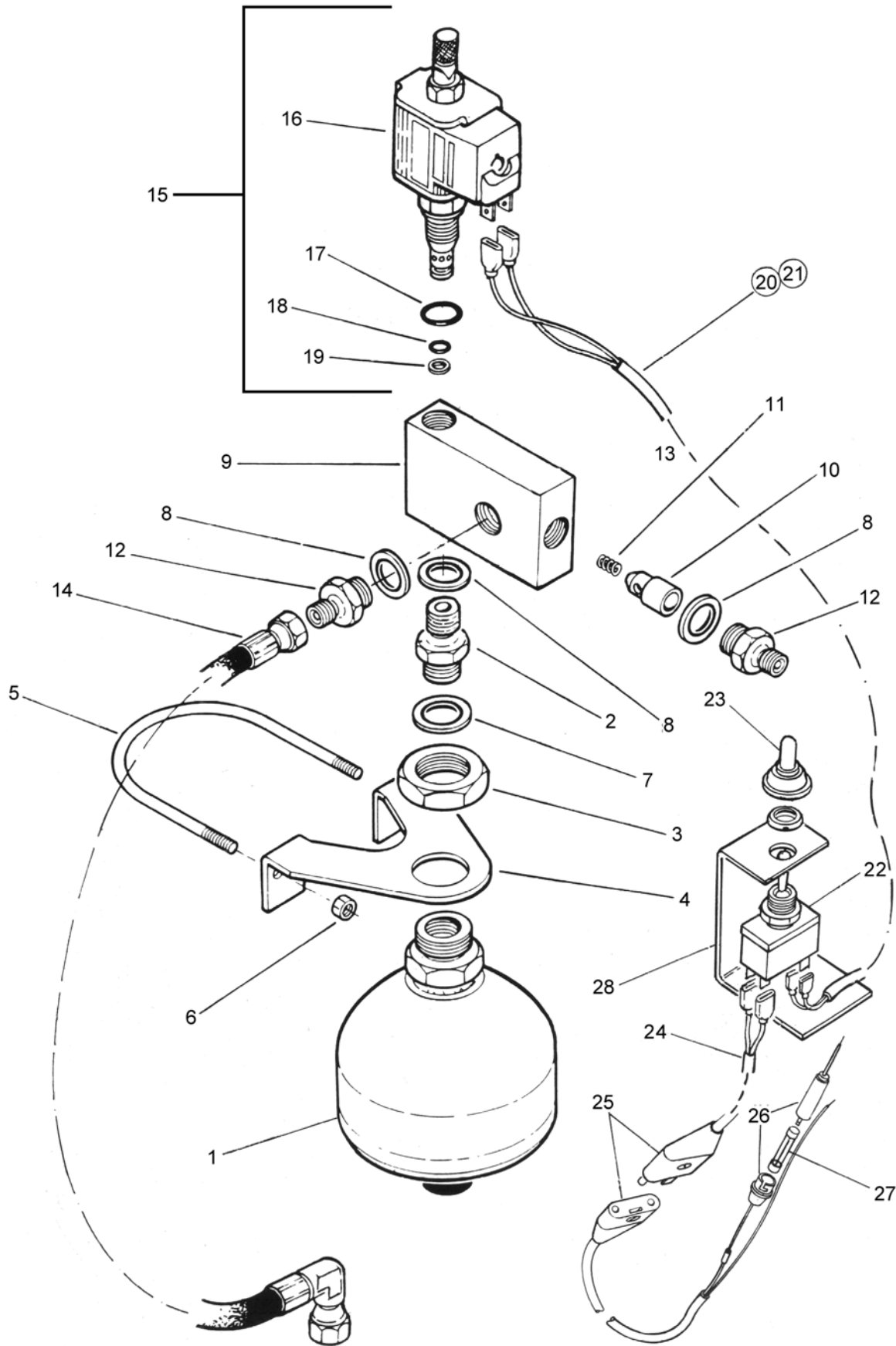
**SOLENOID VALVES**

REF.	QTY.	PART No.	DESCRIPTION
		<b>8130629</b>	<b>DOUBLE SOLENOID VALVE</b>
1	2	8130175	COIL
2	2	8130176	MANUAL OVERRIDE KIT
3	4	8600107	'O' RING
		<b>8130456</b>	<b>SINGLE SOLENOID VALVE</b>
4	1	8130175	COIL
5	1	8130176	MANUAL OVERRIDE KIT
6	4	8600107	'O' RING

# LIFT FLOAT KIT

**Modules:**  
8126295 – Cable  
8126294 – Electric

*Electric model illustrated -  
for Cable models items 20-28 are not applicable*



**LIFT FLOAT KIT**

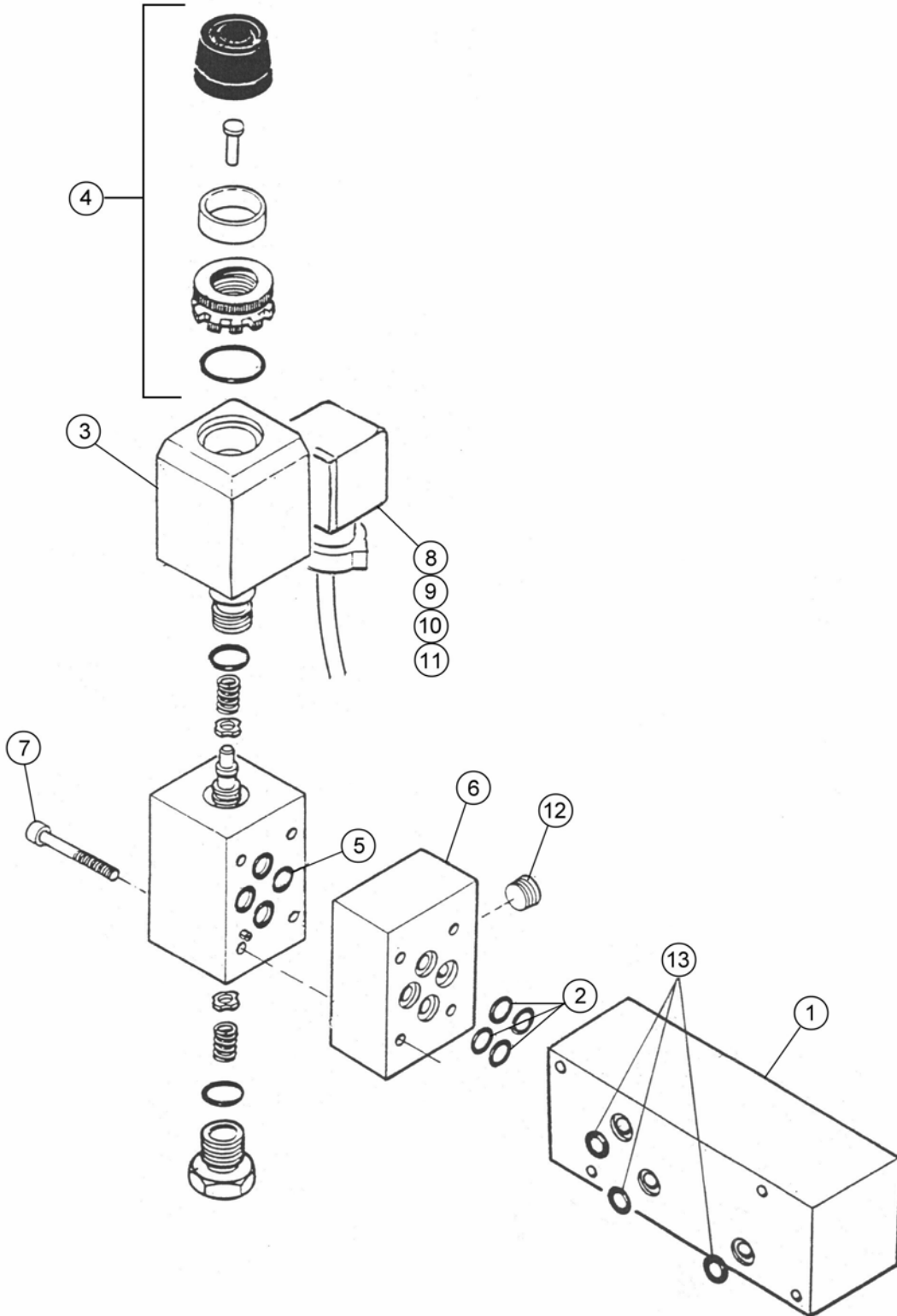
REF.	QTY.	PART No.	DESCRIPTION
		<b>8126294</b>	<b>LIFT FLOAT KIT - ELECTRIC (<i>Quick response</i>)</b>
		<b>8126295</b>	<b>LIFT FLOAT KIT - CABLE (<i>Quick response</i>)</b>
1	1	8126042	ACCUMULATOR
2	1	G2410380	ADAPTOR M22
3	1	8126035	BULKHEAD NUT
4	1	8126286	BRACKET
5	1	8126031	U BOLT
6	2	9143004	SELF LOCKING NUT
7	1	8650322	BONDED SEAL
8	3	8650103	BONDED SEAL
9	1	8126287	CONTROL BLOCK
10	1	8126037	RESPONSE PISTON
11	1	8116011	SPRING
12	2	8581115	ADAPTOR
13	1	1290061	OPERATING DECAL
14	1	8535012	HOSE - 1/4" BSP SF/90F x 12" LONG
15	1	8130183	POPPET VALVE - <i>including:</i>
16	1	8130184	COIL
17	1	8700017	O RING
18	1	8700511	O RING
19	1	8709511	ANTI EXTRUSION RING

***The following items apply to Electric Models only***

20	1	8402194	CABLE ASSEMBLY - <i>including:</i>
21	1	8402194/1	CABLE
22	1	8402182	SWITCH
23	1	8402024	SWITCH COVER
24	1	8402284	SUPPLY HARNESS - <i>including:</i>
25	1	8402062	PLUG / SOCKET
26	1	8402114	FUSE HOLDER
27	1	8402037	FUSE - 10amp
28	1	7192081	SWITCH MOUNTING BRACKET



Module:  
8126261



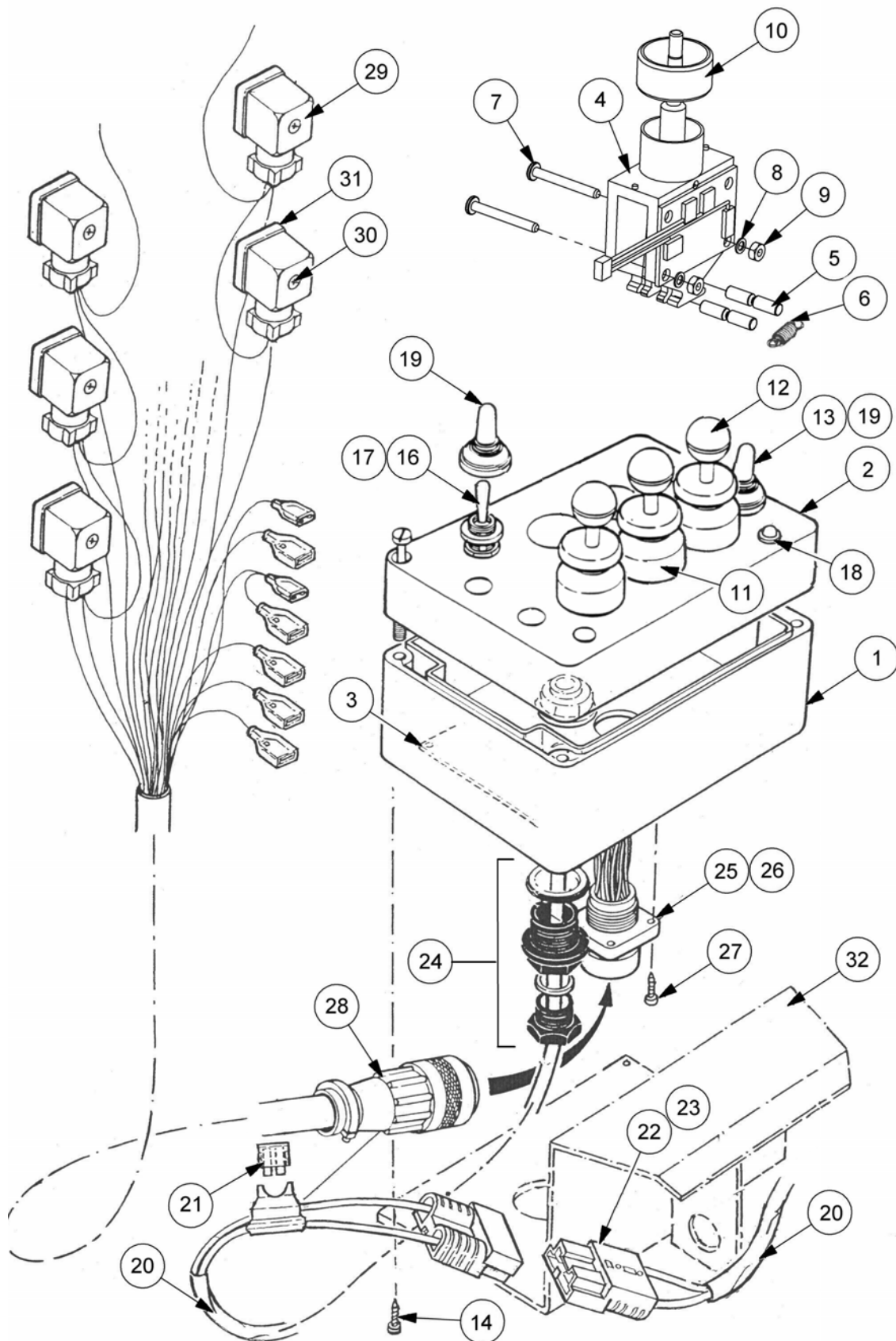
**ANGLE FLOAT KIT(Optional Extra)**

REF.	QTY.	PART No.	DESCRIPTION
		<b>8126261</b>	<b>ANGLE FLOAT KIT</b>
1	1	8130323	FLOAT VALVE BLOCK
2	4	8700511	O RING
	1	8130457	ANGLE FLOAT SOLENOID - <i>includes</i>
3	2	8130175	COIL
4	1	8130176	MANUAL OVERRIDE KIT
5	4	8600107	O RING
6	1	8126280	BRIDGING PLATE
7	4	9243102	SETSCREW - SOCKET HEADED
8	1	8402338	WIRING HARNESS - <i>including Plug &amp; Gasket</i>
9	1	07.835.04	PLUG <i>c/w Screw and Gasket</i>
10	1	07.835.03	SCREW
11	1	07.835.02	GASKET
12	1	8582041	PLUG
13	3	8700511	O RING
		<b>8699224</b>	<b>SOLENOID SEAL KIT</b>

**Module:**

8402900 - Switchbox & Loom

41845.01 - Multi 3 Lever Switchbox



## SWITCHBOX CONTROLS &amp; LOOM

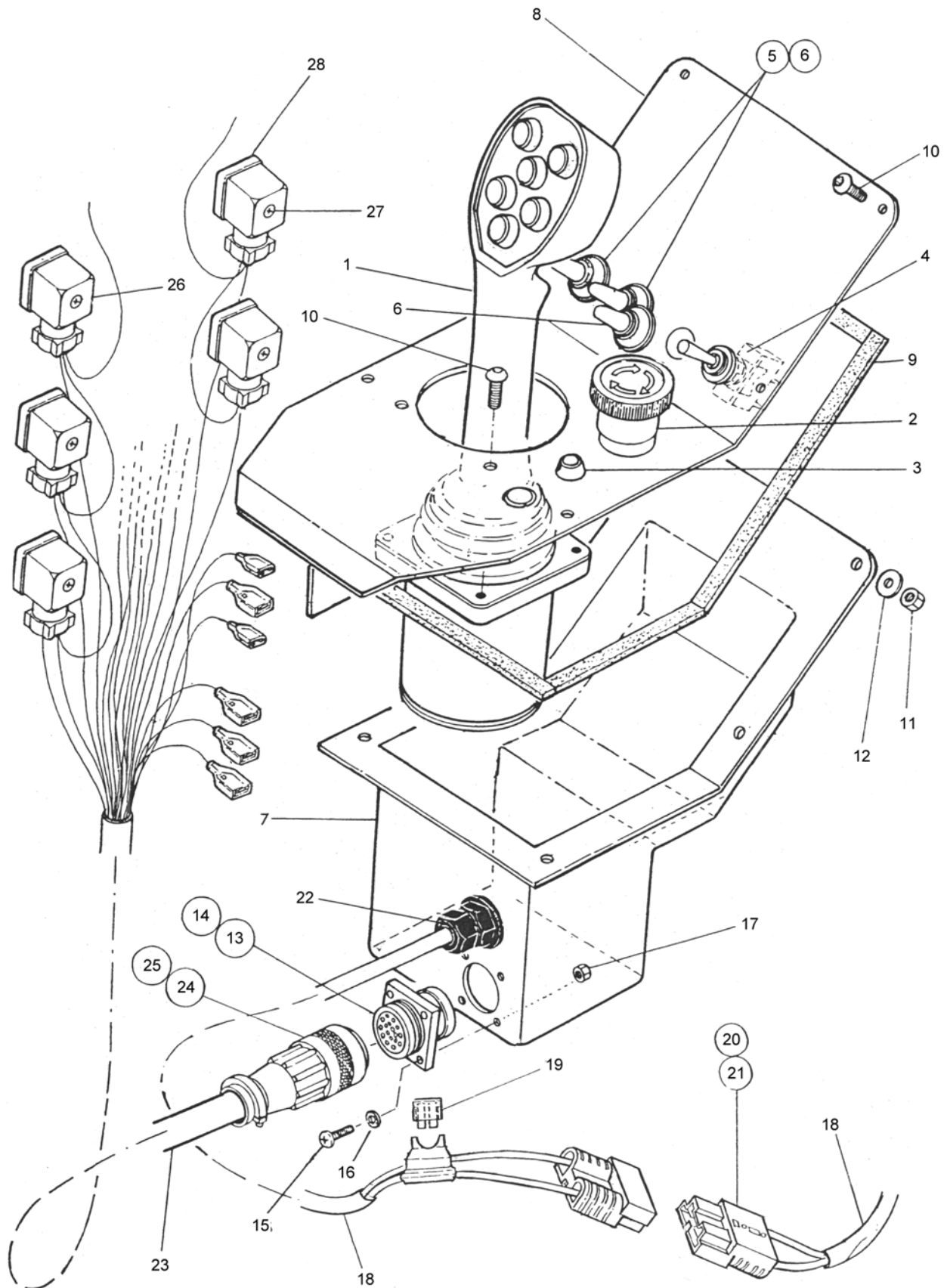


REF.	QTY.	PART NO.	DESCRIPTION
		<b>8402901</b>	<b>SWITCHBOX &amp; LOOM ASSEMBLY</b>
		<b>41845.01</b>	<b>MULTI 3 LEVER SWITCHBOX</b>
1	1	41845.32	BOX
2	1	41845.31	LID c/w SCREWS
3	1	41845.33	CIRCUIT BOARD
			LEVER SWITCH UNIT - <i>comprising of:</i>
4	3	8402133	SWITCH BODY/LEVER/CIRCUIT BOARD c/w
5	2	8402111	BAR
6	1	8402101	SPRING
7	2	9200006	SCREW - POSIDRIVE PANHEAD
8	2	8402120	PLAIN WASHER
9	2	9113000	NUT - PLATED
10	1	8402051	BEZEL RING
11	1	8402022	LEVER GAITER
12	5	8402056	KNOB - BLACK
13	1	8402023	SWITCH - POWER ON/OFF
14	4	2800243	SELF-TAPPING SCREW
15	1	8402193	SPECIAL TOOL - <i>not illustrated</i>
16	1	8402197	SWITCH - FLOAT
17	1	41845.37	LOOM - FLOAT SWITCH
18	1	41845.41	L.E.D. AND LOOM
19	2	8402024	WEATHER GAITER
20	1	8402232	POWER LOOM - <i>including:</i>
21	1	43034.02	FUSE
22	2	8402230	CONTACTS HOUSING
23	4	8402229	CONTACTS
24	1	8402042	GLAND
25	1	8402189	SOCKET SHELL
26	19	8402192	PIN SOCKET
27	4	2800203	SCREW
28	1	8402331	WIRING LOOM - <i>including:</i>
29	12	07.835.04	PLUG - INCLUDING SCREW & GASKET
30	1	07.835.03	SCREW
31	1	07.835.02	GASKET
32	1	8402345	MOUNTING BRACKET

Modules:

8402905

8402906 – Electric Rotor Reverse



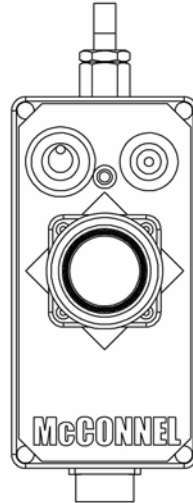


REF.	QTY.	PART NO.	DESCRIPTION
		<b>8402905</b>	<b>MONOLEVER 6 BUTTON CONTROL ASSEMBLY</b>
		<b>8402906</b>	<b>MONOLEVER WITH ELECTRIC ROTOR REVERSE</b>
		<b>41590.03</b>	<b>MONOLEVER 6 BUTTON UNIT</b>
		<b>41590.05</b>	<b>MONOLEVER UNIT - with Electric Rotor Reverse</b>
1	1	41590.32	JOYSTICK - <i>Including Circuit Board</i>
2	1	8402184	POWER ON / EMERGENCY STOP
3	1	8402174	L.E.D. MAIN POWER ON
4	1	8402182	SWITCH - SLEW / AUTO RESET
5	2	8402023	SWITCH - LIFT AND ANGLE FLOAT
6	3	8402024	WEATHER COVER
7	1	7550300	COVER POD
8	1	7550339	TOP PLATE
9	1	7290052	SEALING STRIP ( <i>Cut to suit</i> )
10	10	9300125	SCREW - BUTTON HEAD
11	6	9143003	SELF LOCKING NUT
12	6	9100103	WASHER
13	1	8402189	SOCKET SHELL
14	14	8402192	FEMALE SOCKET PIN
15	4	9200007	SCREW - POSIDRIVE PANHEAD
16	4	9100400	EXTERNAL SERRATED WASHER
17	4	9100013	NUT - PLATED
18	1	8402232	POWER LOOM - <i>Including:</i>
19	1	43034.03	FUSE
20	2	8402230	CONTACT HOUSING
21	4	8402229	CONTACTS
22	1	8402042	GLAND
23	1	41844.01	WIRING LOOM - <i>Including:</i>
24	1	8402188	SHELL
25	1	8402190	CABLE CLAMP
26	12	07.835.04	PLUG - <i>Including:</i>
27	1	07.835.03	SCREW
28	1	07.835.02	GASKET
29	1	8402193	SPECIAL TOOL

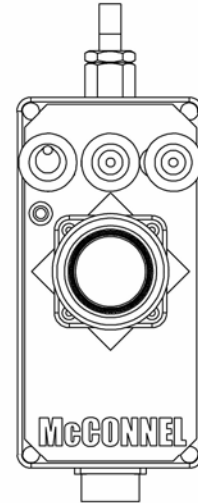
**Modules:**

8402393 Illustrated

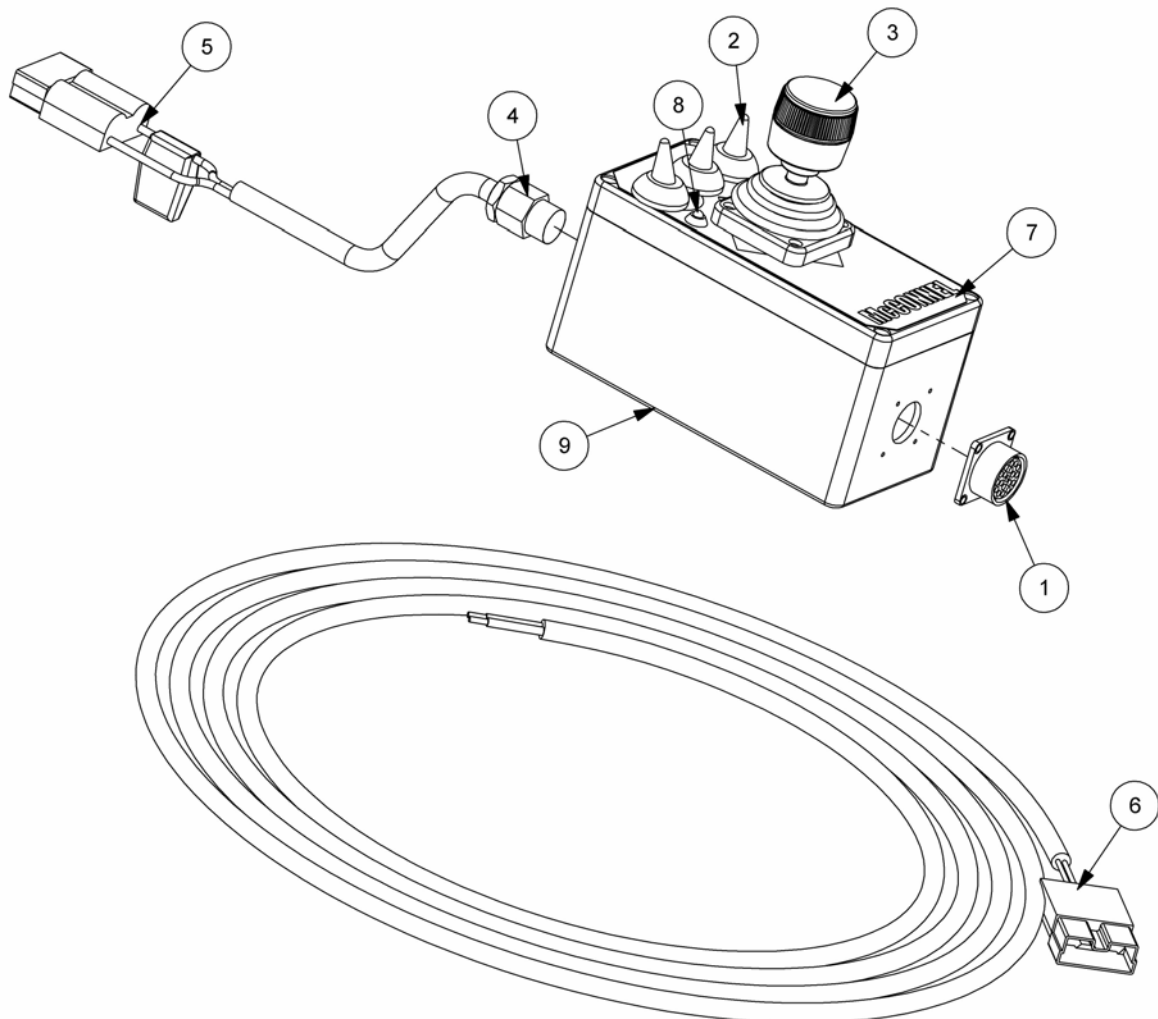
- 8402390 – 3 Service B/B 2 Switch
- 8402391 – 3 Service Prop. B/B 2 Switch
- 8402392 – 3 Service Prop. B/B 3 Switch
- 8402393 – 3 Service Prop. 3 Switch



8402390 & 8402391



8402392 & 8402393



**PROPORTIONAL CONTROL BOX**

REF.	QTY.	PART No.	DESCRIPTION
		<b>8402390</b>	<b>CONTROL BOX - B/B 2 Switch</b>
		<b>8402391</b>	<b>CONTROL BOX - Prop. B/B 2 Switch</b>
		<b>8402392</b>	<b>CONTROL BOX - Prop. B/B 3 Switch</b>
		<b>8402393</b>	<b>CONTROL BOX - Prop. 3 Switch</b>
1	1	8402189	PANEL MTG SHELL
2	3*	8402024	SWITCH COVER
3	1	8402246	JOYSTICK (4 AXIS)
4	1	8402149	GLAND - PLASTIC
5	1	43022.47	CONNECTOR
6	1	8402237	LOOM POWER SUPPLY
7	1	1290494	DECAL - SWITCH BOX
8	1	41845.41	LED
9	1	8402349	CONTROL BOX
10	1	43034.02	BLADE FUSE - 20 amp

\* *Control Boxes 8402390 & 8402391 use 2 off only*



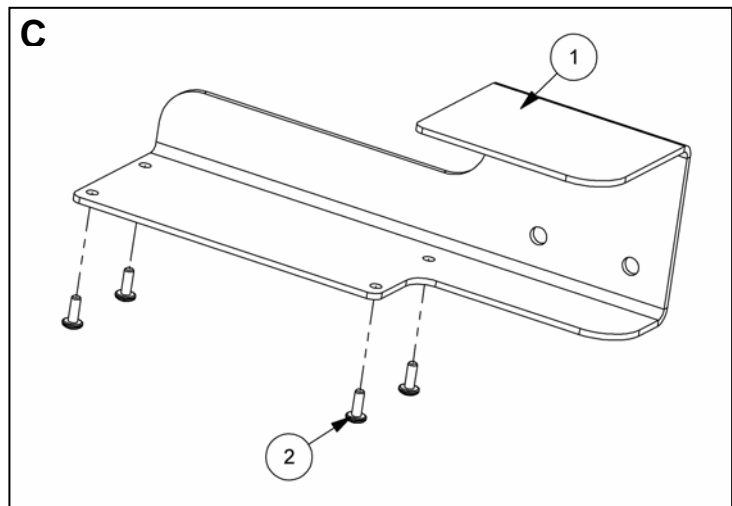
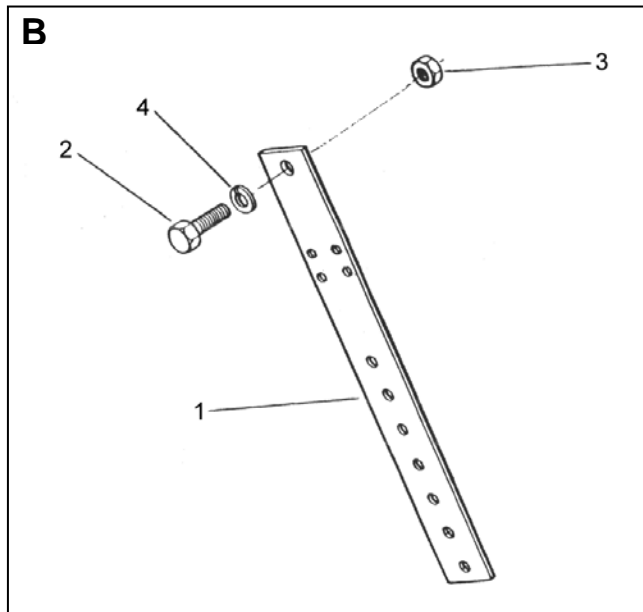
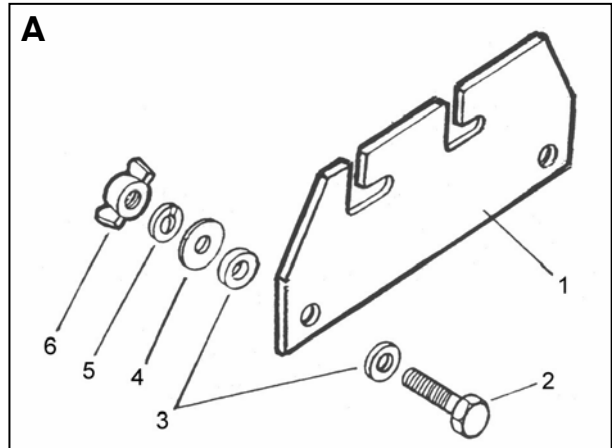
# CONTROL MOUNTINGS

**Modules:**

7313282 – Cable Controls (*Diagram A*)

7109319 – Electric Switchbox (*Diagram B*)

42442.01 – Proportional Controls (*Diagram C*)



**CONTROL MOUNTINGS**

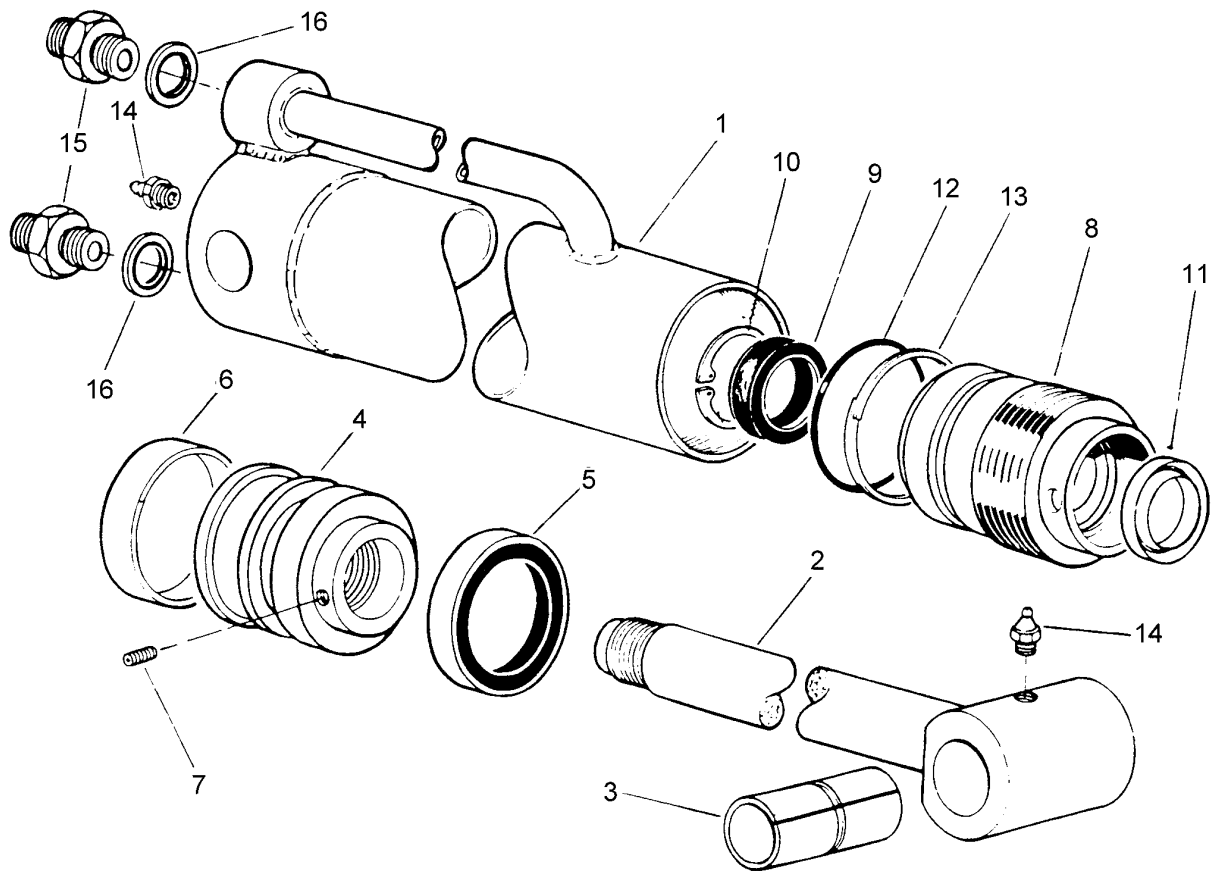
REF.	QTY.	PART NO.	DESCRIPTION
<b>A</b>		<b>7313282</b>	<b>CABLE CONTROL UNIT MOUNTING</b>
1	1	42491.01	BRACKET
2	2	9313094	SETSCREW
3	4	03.152.01	RUBBER WASHER
4	2	9100104	PLAIN WASHER
5	2	9100204	SPRING WASHER
6	2	9193004	WINGNUT

REF.	QTY.	PART NO.	DESCRIPTION
<b>B</b>		<b>7109319</b>	<b>ELECTRIC SWITCHBOX CONTROL MOUNTING</b>
1	1	7109146	PILLAR
2	1	9311086	SETSCREW
3	1	0111006	NUT
4	1	0100206	SPRING WASHER

REF.	QTY.	PART NO.	DESCRIPTION
<b>C</b>		<b>42442.01</b>	<b>PROPORTIONAL CONTROL BOX</b>
1	1	42442.01	CONTROL BOX BRACKET
2	4	2800243	SELF TAPPING SCREW

**ANGLING RAM ASSEMBLY**

**Module:**  
7560344

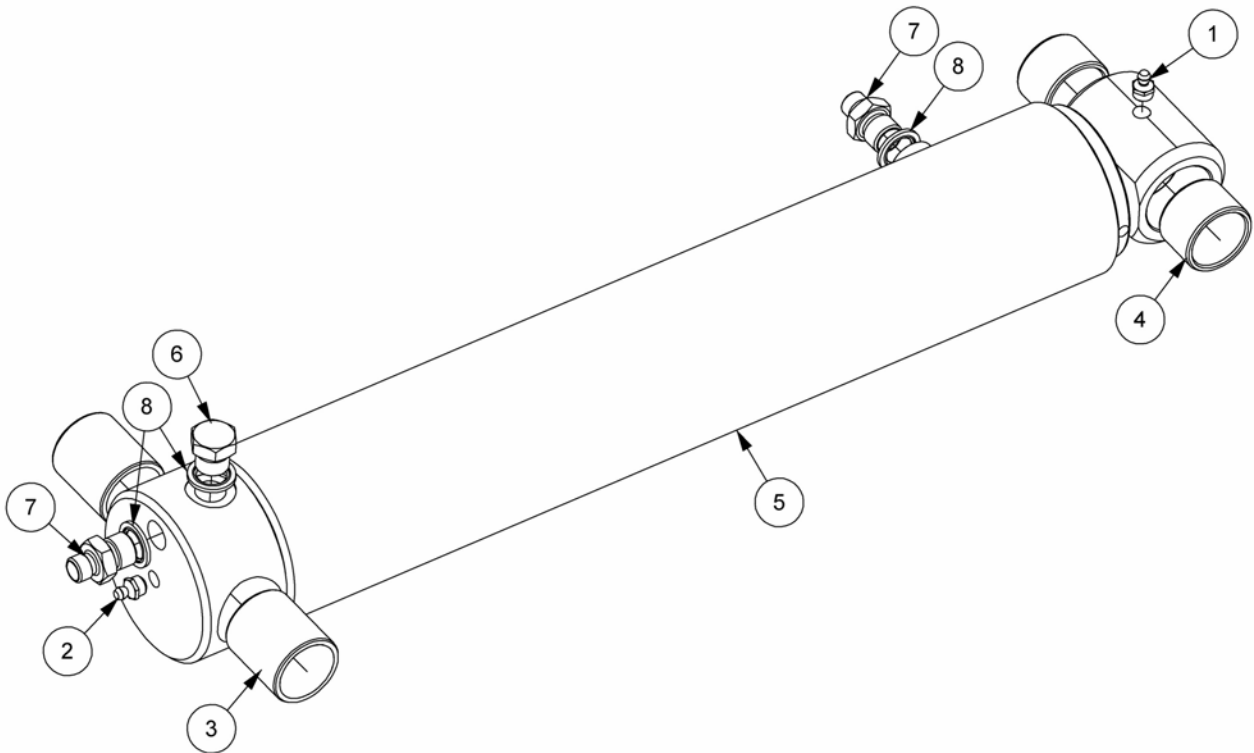


REF.	QTY.	PART NO.	DESCRIPTION
		<b>7560344</b>	<b>ANGLING RAM ASSEMBLY</b>
1	1	7135292	CYLINDER
2	1	7135009	ROD
3	1	7105050	BUSH
4	1	7560095	PISTON
5	1	8629187	PISTON SEAL
6	1	8629188	BEARING RING
7*	1	9363023	GRUB SCREW - SOCKET HEAD M6 x 12
8	1	7135291	GLAND HOUSING
9	1	8629148	GLAND SEAL
10	1	0416240	INTERNAL CIRCLIP
11	1	8629149	WIPER SEAL
12	1	8600302	O' RING
13	1	8609302	ANTI EXTRUSION RING
14	2	0901121	GREASER
15	2	8581169	UNION 1/4" BSP MM
16	2	8650102	BONDED SEAL 1/4" BSP
		<b>8699188</b>	<b>SEAL KIT</b>

**\*Assembly note:**

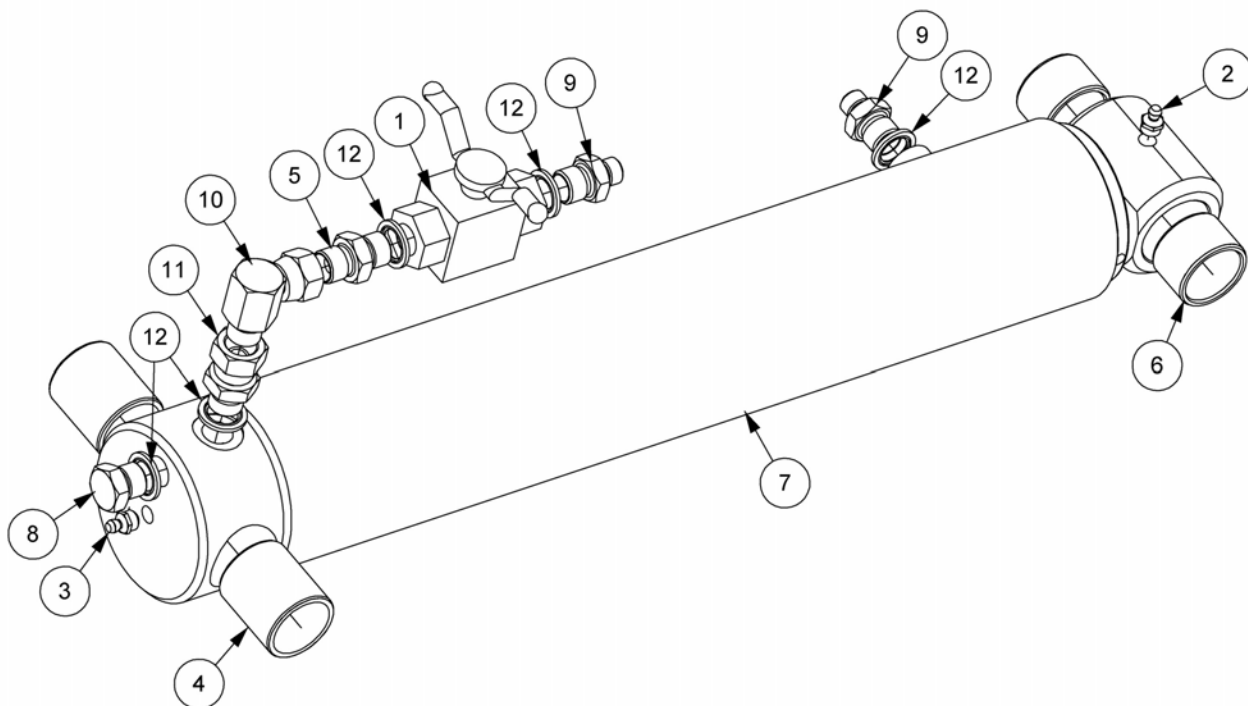
*Tighten fully and centre punch edge of hole to secure.*

**Module:**  
7198376



REF.	QTY.	PART No.	DESCRIPTION
		<b>7198376</b>	<b>REACH RAM ASSEMBLY</b>
1	1	0901121	GREASE NIPPLE - STRAIGHT
2	1	0901124	GREASE NIPPLE - 67°
3	2	21149.02	PLASTIC BUSH
4	2	6012032	PLASTIC BUSH
5	1	7198377	BASIC RAM ASSEMBLY (80mm)
6	1	8003001	ADAPTOR PLUG
7	2	8581115	ADAPTOR
8	3	8650103	BONDED SEAL
		<b>8699187</b>	<b>SEAL KIT</b>

**Module:**  
7198375



REF.	QTY.	PART No.	DESCRIPTION
		<b>7198375</b>	<b>LIFT RAM ASSEMBLY</b>
1	1	08.200.01	ISOLATING VALVE
2	1	0901121	GREASE NIPPLE - STRAIGHT
3	1	0901124	GREASE NIPPLE - 67°
4	2	21149.02	PLASTIC BUSH
5	1	6000113	ADAPTOR
6	2	6012032	BUSH PLASTIC
7	1	7198377	BASIC RAM ASSEMBLY (80mm)
8	1	8003001	ADAPTOR PLUG
9	2	8581115	ADAPTOR
10	1	8581117	ADAPTOR ELBOW
11	1	8581178	SWIVEL ADAPTOR
12	5	8650103	BONDED SEAL
		<b>8699187</b>	<b>SEAL KIT</b>

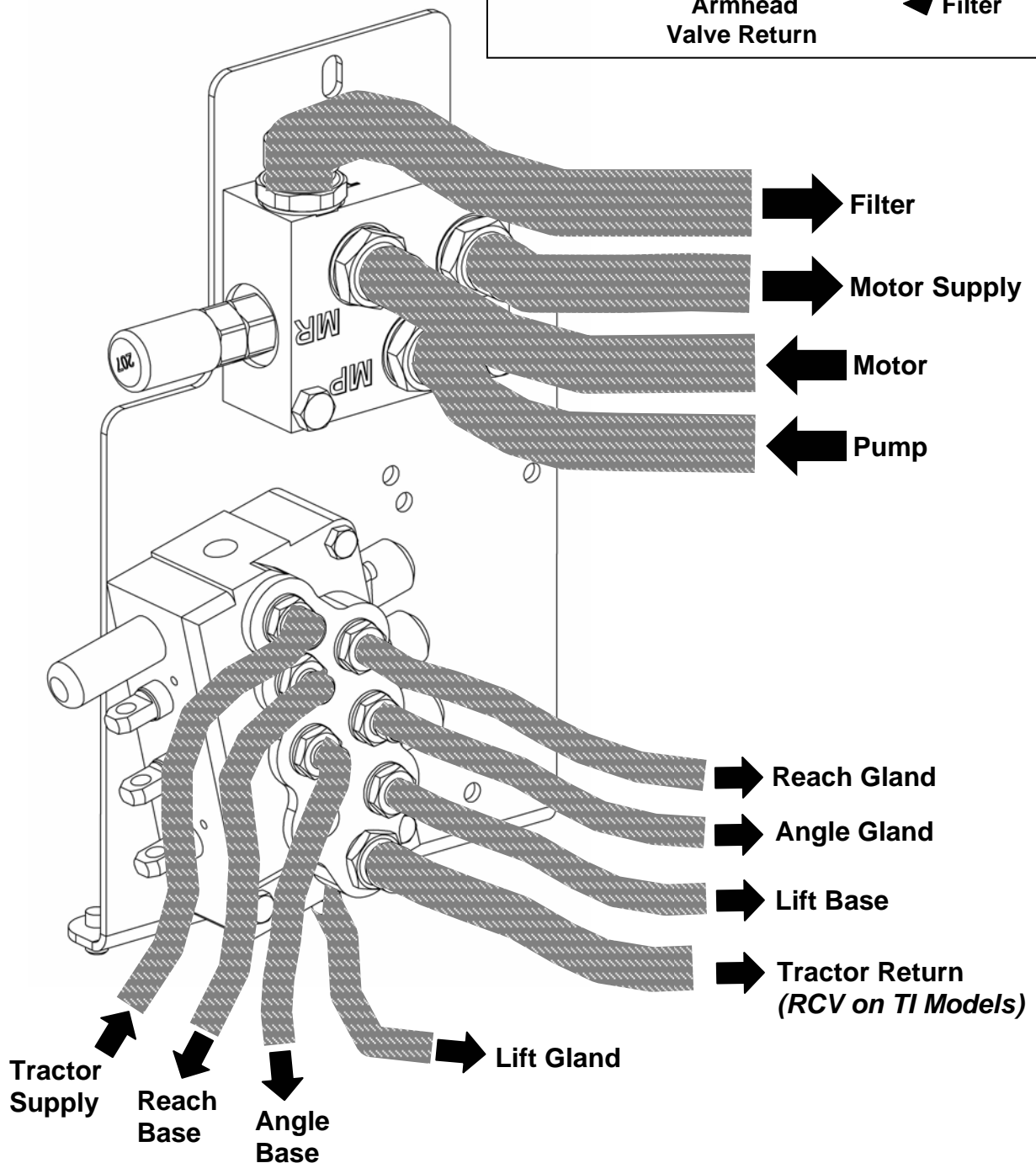
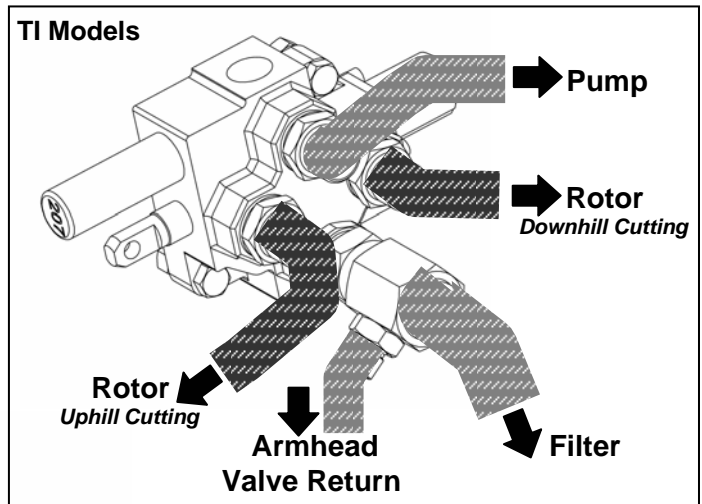
*This page is intentionally blank*

# VALVE HOSES – Cable Models

*Illustrated in Left Hand SI Build*

### Modules:

- 7447564 – L/H SI Cable Valve
- 7447565 – R/H SI Cable Valve
- 7447566 – L/H TI Cable Valve
- 7447567 – R/H TI Cable Valve



**HOSE KITS - All Models**

REF.	QTY.	PART NO.	DESCRIPTION	
		<b>74475711</b>	<b>PA47 Mk2 HOSE KIT - SI Models</b>	
1	1	10.010.15	HOSE - 3/4" BSP FS/F90 x 750mm Long	<i>Pump to RCV</i>
2	1	10.012.19	HOSE - 1" BSP FS/F90 x 950mm Long	<i>RCV Return</i>
3	2	10.010.57	HOSE - 3/4" BSP FS/F90 x 4700mm Long	<i>Flailhead</i>
4	1	10.004.30	HOSE - 3/8" BSP FS/F90 x 2000mm Long	<i>Tractor Pressure</i>
5	1	10.006.30	HOSE - 1/2" BSP ST/90 x 2000mm Long	<i>Tractor Return</i>
6	2	10.001.44	HOSE - 1/4" BSP ST/ST x 3400mm Long	<i>Angle Base/Gland</i>
7	1	10.001.32	HOSE - 1/4" BSP ST/ST x 2200mm Long	<i>Reach Base</i>
8	1	10.002.38	HOSE - 1/4" BSP FS/F90 x 2800mm Long	<i>Reach Gland</i>
9	2	10.002.21	HOSE - 1/4" BSP ST/90 x 1100mm Long	<i>Lift Base/Gland</i>
		<b>74475712</b>	<b>PA47 Mk2 HOSE KIT - TI Models</b>	
1	1	10.010.15	HOSE - 3/4" BSP FS/F90 x 750mm Long	<i>Pump to RCV</i>
2	1	10.012.19	HOSE - 1" BSP FS/F90 x 950mm Long	<i>RCV Return</i>
3	2	10.010.57	HOSE - 3/4" BSP FS/F90 x 4700mm Long	<i>Flailhead</i>
4	1	10.004.13	HOSE - 3/8" BSP ST/90 x 650mm Long	<i>C/Valve Pressure</i>
5	1	10.006.09	HOSE - 1/2" BSP ST/90 x 450mm Long	<i>C/Valve Return</i>
6	2	10.001.44	HOSE - 1/4" BSP ST/ST x 3400mm Long	<i>Angle Base/Gland</i>
7	1	10.001.32	HOSE - 1/4" BSP ST/ST x 2200mm Long	<i>Reach Base</i>
8	1	10.002.38	HOSE - 1/4" BSP FS/F90 x 2800mm Long	<i>Reach Gland</i>
9	2	10.002.21	HOSE - 1/4" BSP ST/90 x 1100mm Long	<i>Lift Base/Gland</i>

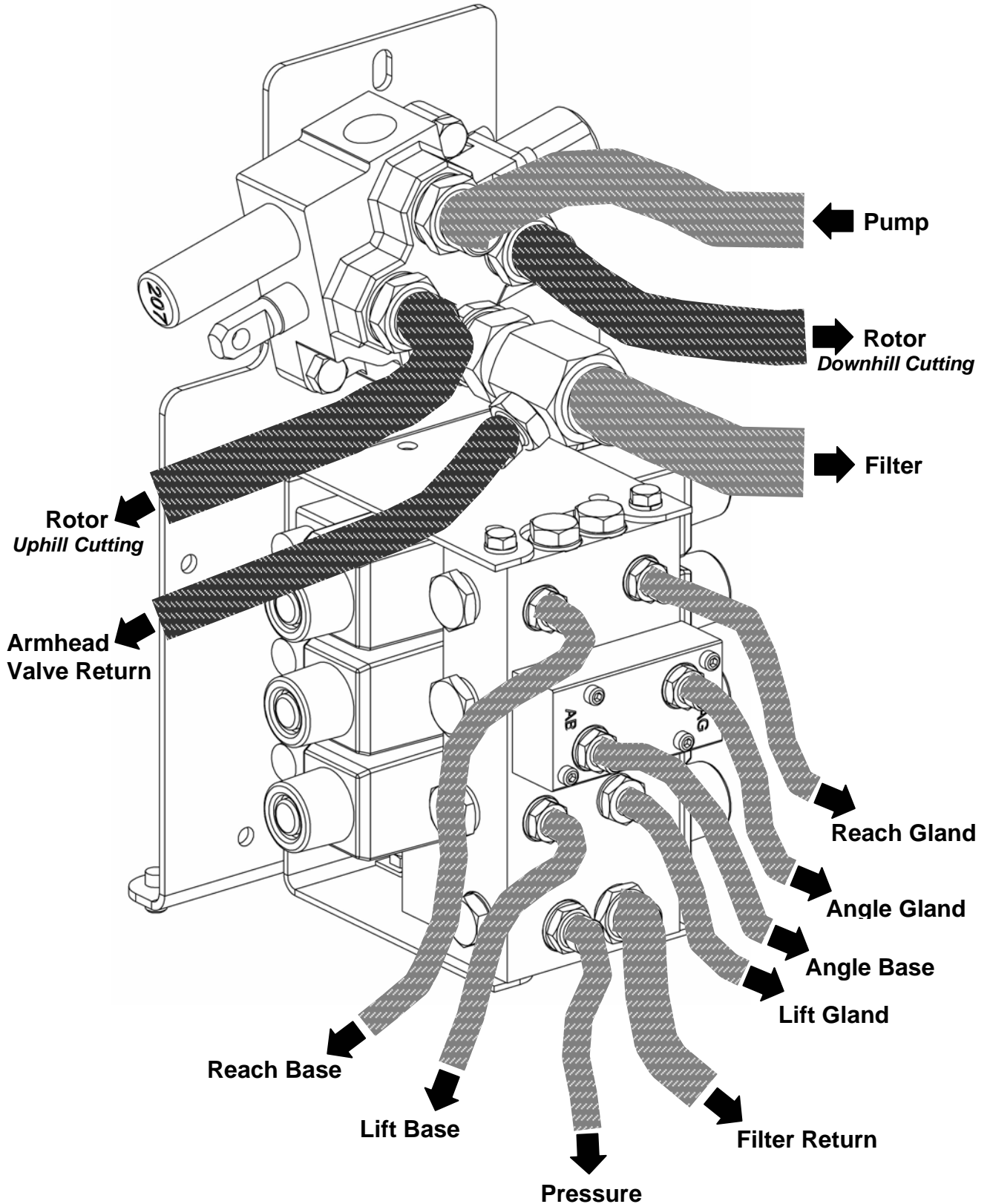


### VALVE HOSES – Elec/Prop Models

**Modules:**

- 7447568 – L/H TI Standard Electric
- 7447569 – R/H TI Standard Electric
- 7447572 – L/H TI Proportional Electric
- 7447573 – R/H TI Proportional Electric

*Illustrated in Left Hand Build*



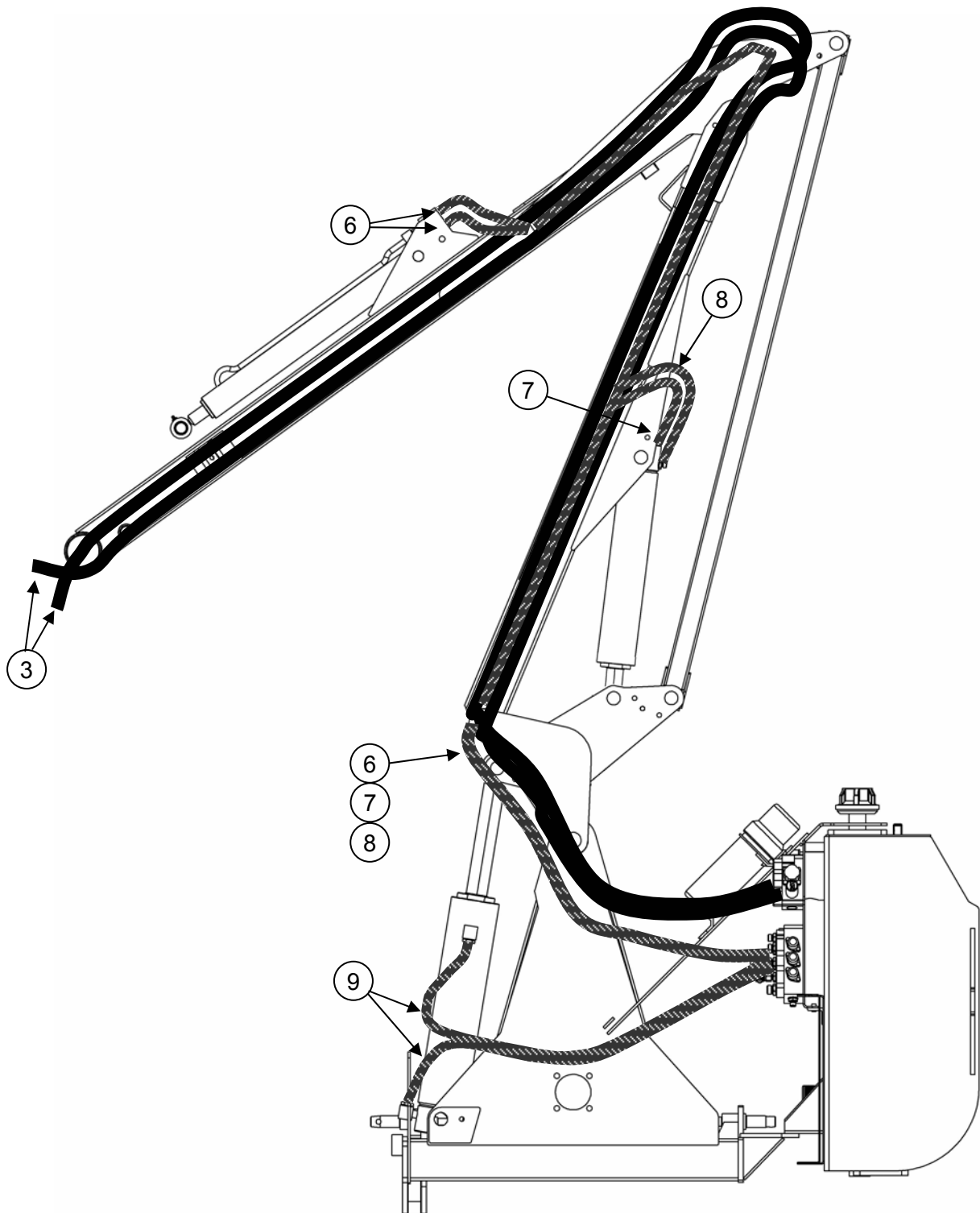
**HOSE KITS - All Models**

REF.	QTY.	PART NO.	DESCRIPTION	
		<b>74475711</b>	<b>PA47 Mk2 HOSE KIT - SI Models</b>	
1	1	10.010.15	HOSE - 3/4" BSP FS/F90 x 750mm Long	<i>Pump to RCV</i>
2	1	10.012.19	HOSE - 1" BSP FS/F90 x 950mm Long	<i>RCV Return</i>
3	2	10.010.57	HOSE - 3/4" BSP FS/F90 x 4700mm Long	<i>Flailhead</i>
4	1	10.004.30	HOSE - 3/8" BSP FS/F90 x 2000mm Long	<i>Tractor Pressure</i>
5	1	10.006.30	HOSE - 1/2" BSP ST/90 x 2000mm Long	<i>Tractor Return</i>
6	2	10.001.44	HOSE - 1/4" BSP ST/ST x 3400mm Long	<i>Angle Base/Gland</i>
7	1	10.001.32	HOSE - 1/4" BSP ST/ST x 2200mm Long	<i>Reach Base</i>
8	1	10.002.38	HOSE - 1/4" BSP FS/F90 x 2800mm Long	<i>Reach Gland</i>
9	2	10.002.21	HOSE - 1/4" BSP ST/90 x 1100mm Long	<i>Lift Base/Gland</i>
		<b>74475712</b>	<b>PA47 Mk2 HOSE KIT - TI Models</b>	
1	1	10.010.15	HOSE - 3/4" BSP FS/F90 x 750mm Long	<i>Pump to RCV</i>
2	1	10.012.19	HOSE - 1" BSP FS/F90 x 950mm Long	<i>RCV Return</i>
3	2	10.010.57	HOSE - 3/4" BSP FS/F90 x 4700mm Long	<i>Flailhead</i>
4	1	10.004.13	HOSE - 3/8" BSP ST/90 x 650mm Long	<i>C/Valve Pressure</i>
5	1	10.006.09	HOSE - 1/2" BSP ST/90 x 450mm Long	<i>C/Valve Return</i>
6	2	10.001.44	HOSE - 1/4" BSP ST/ST x 3400mm Long	<i>Angle Base/Gland</i>
7	1	10.001.32	HOSE - 1/4" BSP ST/ST x 2200mm Long	<i>Reach Base</i>
8	1	10.002.38	HOSE - 1/4" BSP FS/F90 x 2800mm Long	<i>Reach Gland</i>
9	2	10.002.21	HOSE - 1/4" BSP ST/90 x 1100mm Long	<i>Lift Base/Gland</i>

**ARM & RAM HOSE LOCATION****Modules:**

74475711 –SI Hose Kit

74475712 –TI Hose Kit

*Cable TI L/H Build Illustrated*

*Note: When replacing a hydraulic hoses run the new hose alongside the old one prior to it's removal – this will help to ensure the hose is positioned and routed correctly. Failure to install a hose in its correct position may lead to damage or failure due to chaffing, pinching, or stretching of the hose.*

**HOSE KITS - All Models**

REF.	QTY.	PART NO.	DESCRIPTION	
		<b>74475711</b>	<b>PA47 Mk2 HOSE KIT - SI Models</b>	
1	1	10.010.15	HOSE - 3/4" BSP FS/F90 x 750mm Long	<i>Pump to RCV</i>
2	1	10.012.19	HOSE - 1" BSP FS/F90 x 950mm Long	<i>RCV Return</i>
3	2	10.010.57	HOSE - 3/4" BSP FS/F90 x 4700mm Long	<i>Flailhead</i>
4	1	10.004.30	HOSE - 3/8" BSP FS/F90 x 2000mm Long	<i>Tractor Pressure</i>
5	1	10.006.30	HOSE - 1/2" BSP ST/90 x 2000mm Long	<i>Tractor Return</i>
6	2	10.001.44	HOSE - 1/4" BSP ST/ST x 3400mm Long	<i>Angle Base/Gland</i>
7	1	10.001.32	HOSE - 1/4" BSP ST/ST x 2200mm Long	<i>Reach Base</i>
8	1	10.002.38	HOSE - 1/4" BSP FS/F90 x 2800mm Long	<i>Reach Gland</i>
9	2	10.002.21	HOSE - 1/4" BSP ST/90 x 1100mm Long	<i>Lift Base/Gland</i>
		<b>74475712</b>	<b>PA47 Mk2 HOSE KIT - TI Models</b>	
1	1	10.010.15	HOSE - 3/4" BSP FS/F90 x 750mm Long	<i>Pump to RCV</i>
2	1	10.012.19	HOSE - 1" BSP FS/F90 x 950mm Long	<i>RCV Return</i>
3	2	10.010.57	HOSE - 3/4" BSP FS/F90 x 4700mm Long	<i>Flailhead</i>
4	1	10.004.13	HOSE - 3/8" BSP ST/90 x 650mm Long	<i>C/Valve Pressure</i>
5	1	10.006.09	HOSE - 1/2" BSP ST/90 x 450mm Long	<i>C/Valve Return</i>
6	2	10.001.44	HOSE - 1/4" BSP ST/ST x 3400mm Long	<i>Angle Base/Gland</i>
7	1	10.001.32	HOSE - 1/4" BSP ST/ST x 2200mm Long	<i>Reach Base</i>
8	1	10.002.38	HOSE - 1/4" BSP FS/F90 x 2800mm Long	<i>Reach Gland</i>
9	2	10.002.21	HOSE - 1/4" BSP ST/90 x 1100mm Long	<i>Lift Base/Gland</i>

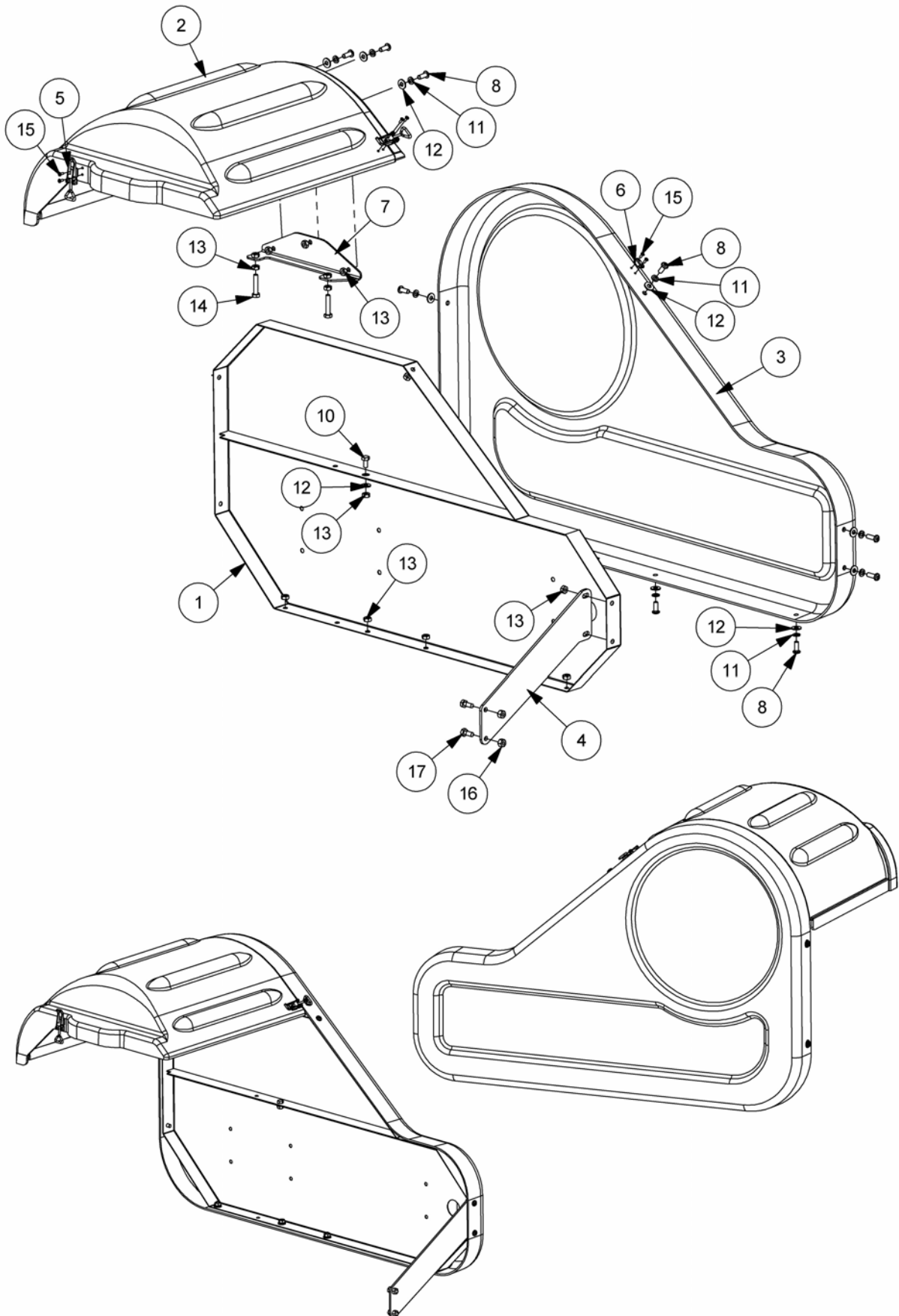
# REAR COVER ASSEMBLY

**Modules:**

7447578 – L/H Build

7447593 – R/H Build

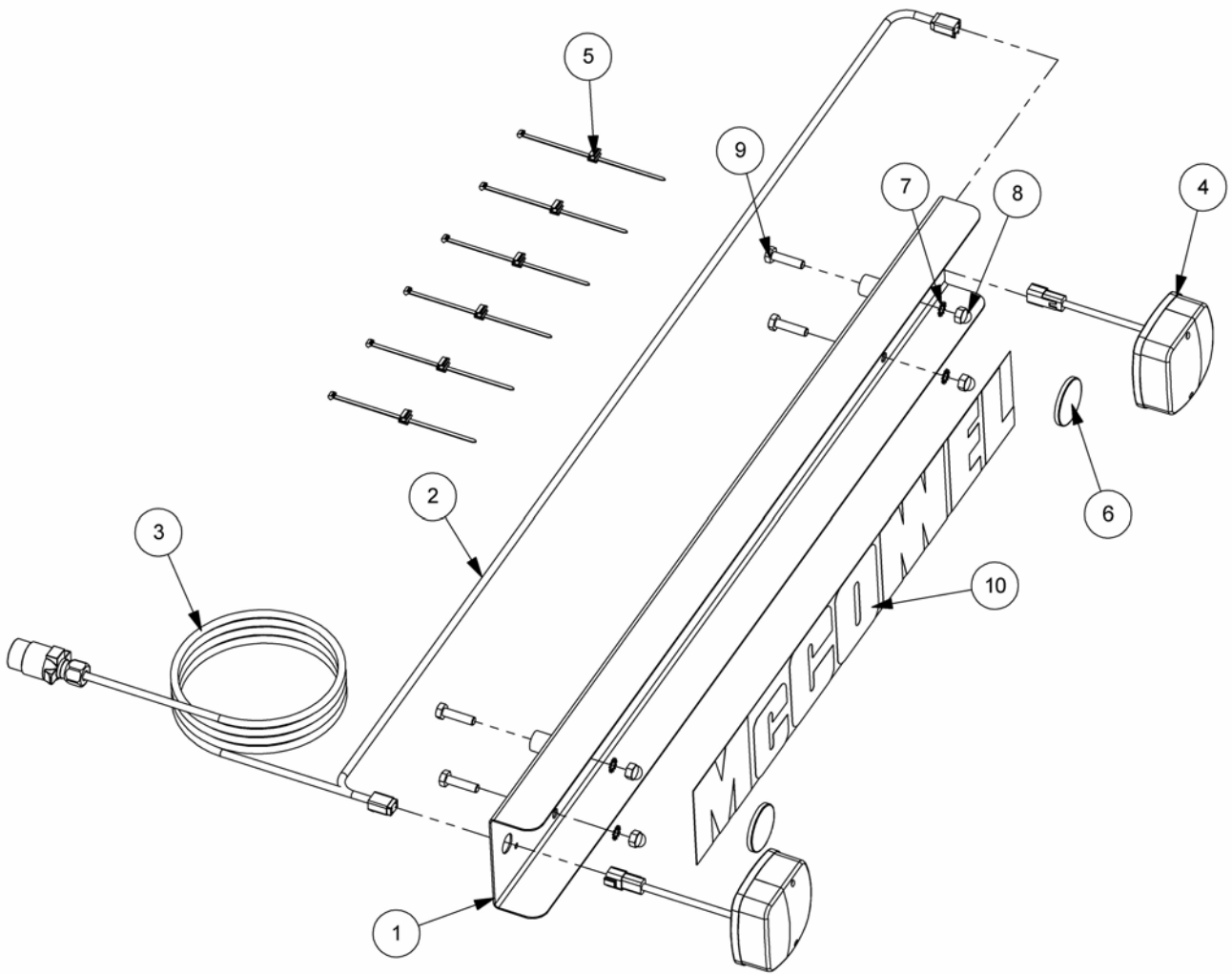
*Illustrated in Left Hand Build*



**REAR COVER ASSEMBLY**

REF.	QTY.	PART No.	DESCRIPTION
		<b>7447578</b>	<b>REAR COVER ASSEMBLY - L/H Build</b>
		<b>7447593</b>	<b>REAR COVER ASSEMBLY - R/H Build</b>
1	1	21501.01	REAR COVER SUPPORT - L/H Build
	1	21501.02	REAR COVER SUPPORT - R/H Build
2	1	21500.32	TANK COVER - L/H Build
	1	21500.37	TANK COVER - R/H Build
3	1	21306.07	REAR COVER - L/H Build
	1	21306.09	REAR COVER - R/H Build
4	1	21502.01	SUPPORT PLATE
5	2	43449.02	OVERCENTRE FASTENER
6	1	46007.01	HOOK
7	1	21309.04	SUPPORT ANGLE - L/H Build
	1	21309.06	SUPPORT ANGLE - R/H Build
8	10	9300154	SOCKET SCREW
9	2	9300166	SOCKET SCREW
10	1	9313045	SETSCREW
11	13	9100205	SPRING WASHER
12	13	9100105	FLAT WASHER
13	13	9113005	NUT
14	2	9313105	SETSCREW
15	6	1069088	POP RIVET
16	2	9143005	SELF-LOCKING NUT
17	2	9313055	SETSCREW

Module:  
7451780



**REAR LIGHTING KIT**

<b>REF.</b>	<b>QTY.</b>	<b>PART No.</b>	<b>DESCRIPTION</b>
		<b>7451780</b>	<b>REAR LIGHTING KIT</b>
1	1	45828.01	LIGHT BAR
2	1	45900.02	LIGHTING KIT - <i>comprising of:</i>
3	1	45656.02	LIGHTING LOOM c/w PLUG
4	2	45642.02	COMBINATION LAMP ASSEMBLY
5	6	21150.01	PUSH ON CABLE TIE
6	2	45671.01	REFLECTOR (SELF-ADHESIVE)
7	4	9100405	SHAKEPROOF WASHER - EXTERNAL
8	4	9100025	DOME NUT
9	4	9213085	BOLT
10	1	1290527	DECAL - McCONNEL

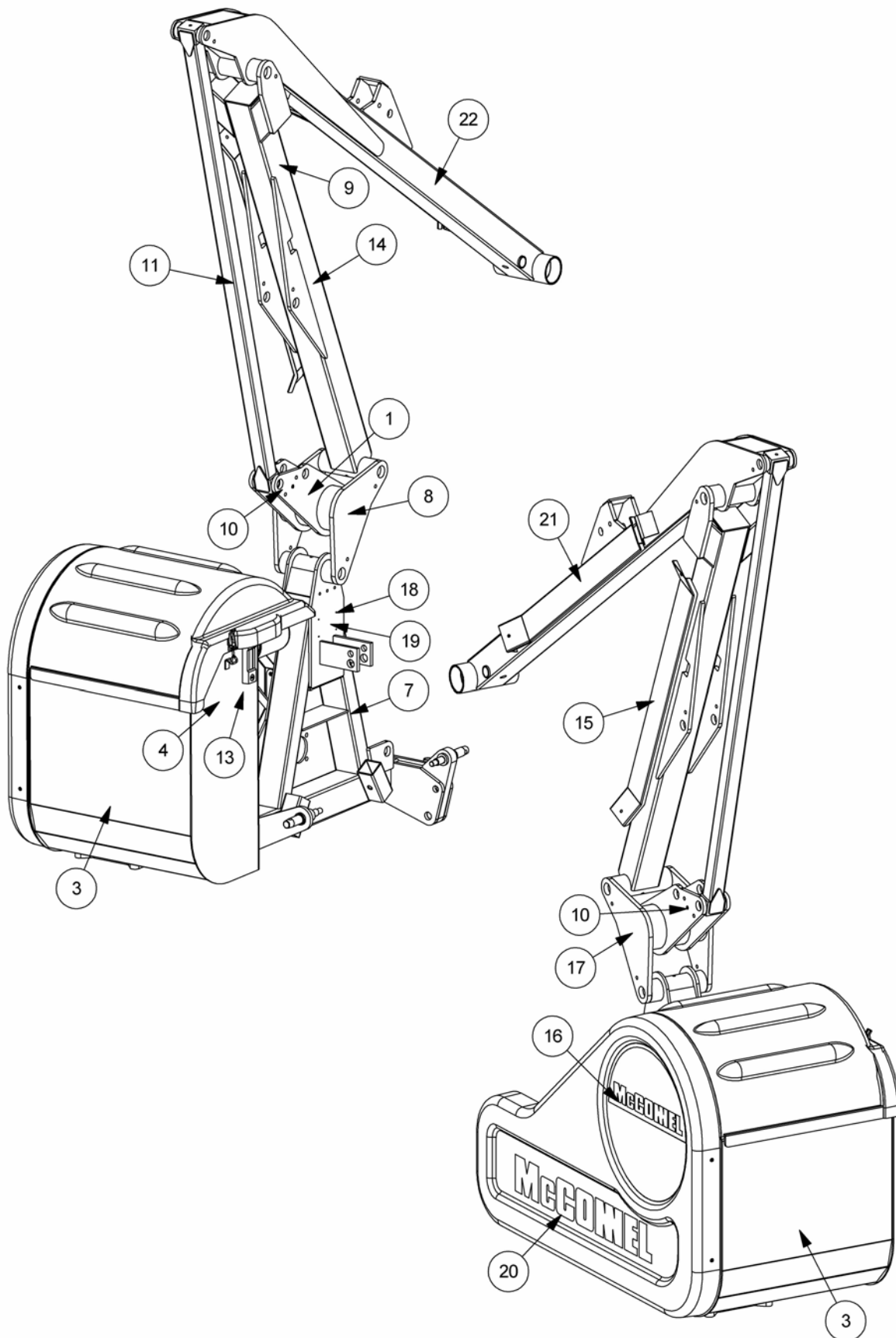


# MACHINE DECALS

**Modules:**

7451820 – Basic Decal Kit

7447588 – PA47 Specific Decal Kit

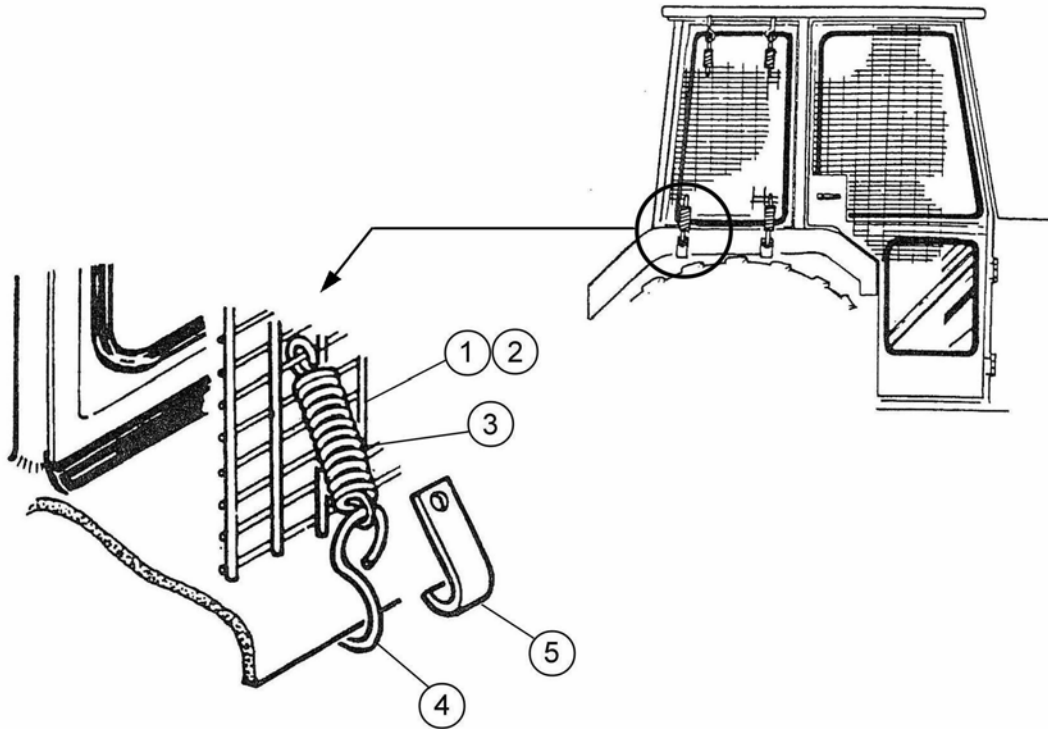


**MACHINE DECALS**

REF.	QTY.	PART No.	DESCRIPTION
		<b>7451820</b>	<b>BASIC DECAL KIT</b>
1	1	7105130	DECAL - READ THE BOOK FIRST
2	1	1290352	DECAL - ENGLISH / FRENCH (CAB)
3	1	1290391	DECAL - GENERAL SAFETY
4	1	00756494	DECAL - DRIVELINE HAZARD
5	6	02962764	DECAL - SPECIFIC PINCH POINT
6	1	1290571	DECAL - QUEENS AWARD
7	1	09.811.03	DECAL - PTO SPEED (500 RPM)
8	1	7135295	DECAL - TIGHTEN CHECK CHAINS
9	1	1290403	DECAL - BREAKAWAY RETURN WARNING
10	2	1290074	DECAL - SLING HERE
11	1	1290406	DECAL - TRANSPORT WARNING
12	1	8402135	DECAL - CAUTION
13	1	1290023	DECAL - OIL FILTER
14	1	1290255	DECAL - McCONNEL (435mm X 63mm)
15	1	1290588	DECAL - McCONNEL (63mm SILVER)
16	1	1290647	DECAL - McCONNEL ROUNDEL (500mm)
17	1	1290296	DECAL - LOGO
18	4	7103230	POP RIVET
19	1	1335246	SERIAL No. PLATE
20	1	1290649	DECAL - McCONNEL (SILVER)
		<b>7447588</b>	<b>SPECIFIC DECAL KIT</b>
21	1	1290650 *	DECAL - PA47 / PA47E (SILVER)
22	1	1290651 *	DECAL - PA47 / PA47E (BLACK)

\* **NOTE: When ordering items 21 & 22 please specify either 'PA47' or 'PA47E'**

Module:  
7313324

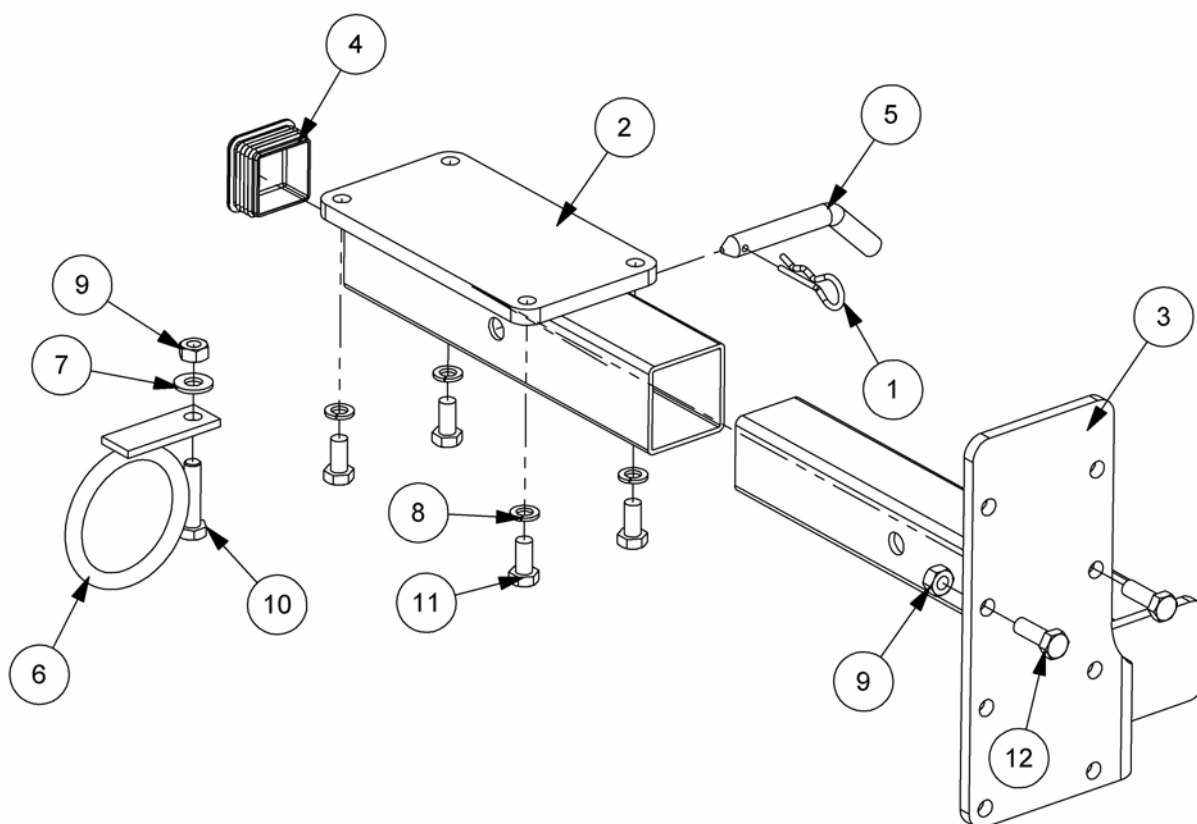


REF.	QTY.	PART No.	DESCRIPTION
		<b>7313324</b>	<b>CAB GUARD &amp; MOUNTING KIT</b>
1	1	7313049	GUARD PANEL - LARGE
2	1	7313050	GUARD PANEL - SMALL
3	12	6001064	SPRING
4	6	6001065	HOOK
5	6	7313051	HOOK

**DEBRIS BLOWER MOUNTING KIT**
**Modules:**

7150770 – L/H Build

7150771 – R/H Build

*Illustrated in Left Hand Build*

REF.	QTY.	PART No.	DESCRIPTION
		<b>7150770</b>	<b>DEBRIS BLOWER MOUNTING KIT - L/H Machines</b>
		<b>7150771</b>	<b>DEBRIS BLOWER MOUNTING KIT - R/H Machines</b>
1	1	0431105	SPRING COTTER
2	1	43492.01	BLOWER BRACKET
3	1	43492.05	BLOWER BRACKET - L/H Build
	1	43492.06	BLOWER BRACKET - R/H Build
4	1	7191108	PLASTIC PLUG
5	1	7192023	LEG PIN
6	1	7319282	HOSE RING
7	1	9100106	FLAT WASHER
8	4	9100206	SPRING WASHER
9	3	9143006	SELF-LOCKING NUT
10	1	9213106	BOLT
11	4	9313056	SETSCREW
12	2	9313076	SETSCREW

*Suitable for the following machines:*

PA32, PA41, PA45\*, PA47 Mk1\*, PA47 Mk2, PA48, PA50Mk1\*, PA50 Mk2, PA55/60  
 (\* without lightbars)



McConnel Limited, Temeside Works, Ludlow, Shropshire SY8 1JL. England.  
Telephone: 01584 873131. Facsimile: 01584 876463. [www.mcconnel.com](http://www.mcconnel.com)