



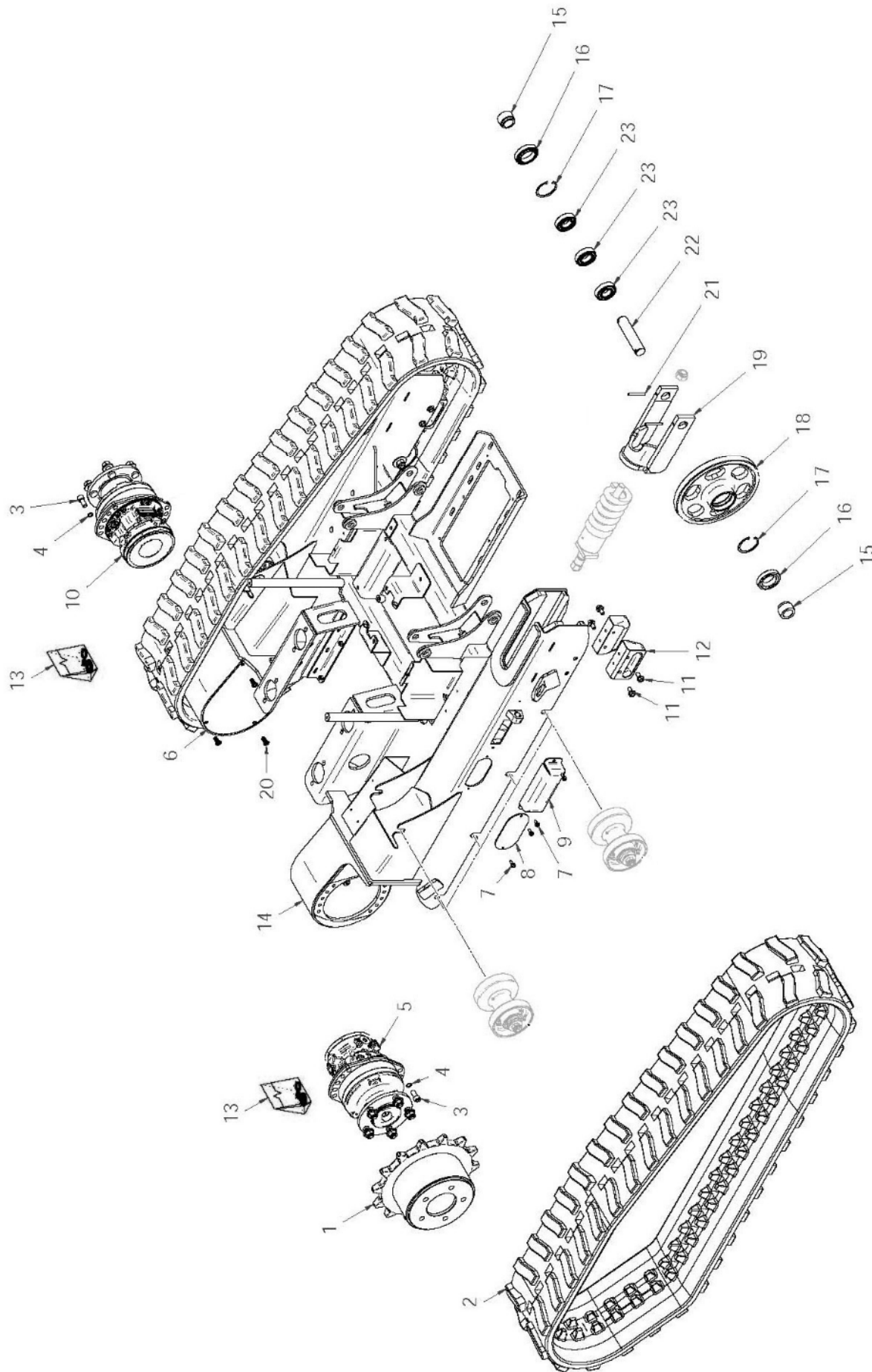
ROBOCUT

- Parts Section -
For machines 07/13 onwards
From S/No: ROBO071300323
(Rev. 21.05.15)

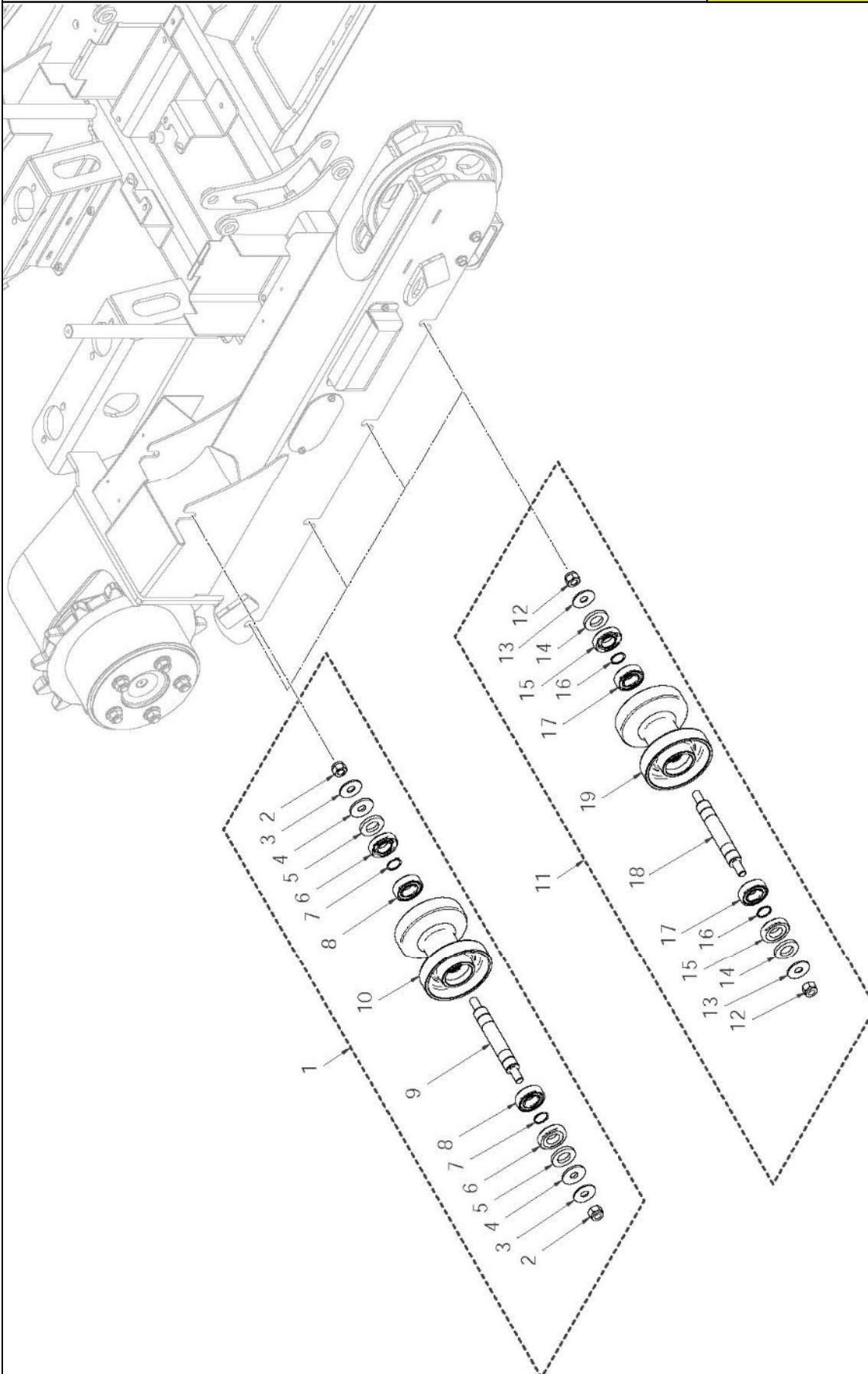


LIST OF CONTENTS

	<i>Page No.</i>
Parts Section	
Chassis Assembly	2
Track Roller Assemblies	4
Track Tensioner Assemblies	6
Rubber Tracks	8
Equipment Mounting Assembly	10
Engine Cover Assembly	12
Radiator Cover Assembly	14
Machine Cover Assembly	16
Roll bar Assembly	18
Diesel Engine	20
Diesel Engine Components	24
Pumps Assembly (Early Machines)	26
Pumps Assembly (Current Machines)	28
Actuator Assembly	30
Reversible Fan Assemblies	32
Diesel Fuel Circuit	36
Oil Tank Assembly	38
Electrical Components	40
Electrical Wiring	44
Control Transmitting / Receiving Units	46
Intake & Drain Pumps	48
Tracks Hydraulic Circuit	50
Hydraulic Rams Circuit	52
Hydraulic Equipment Circuit	54
Flailhead Assembly	56
Rotors & Flails	60
Decal Kit	62
Service Parts	63

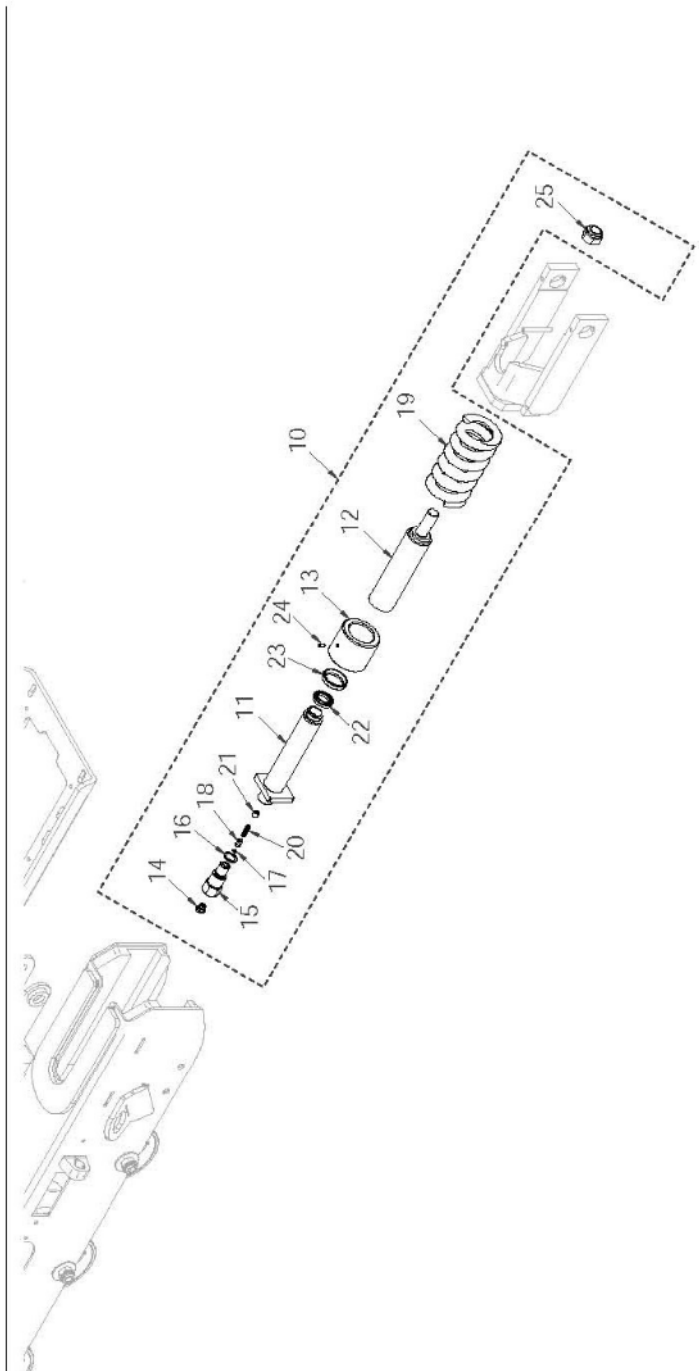
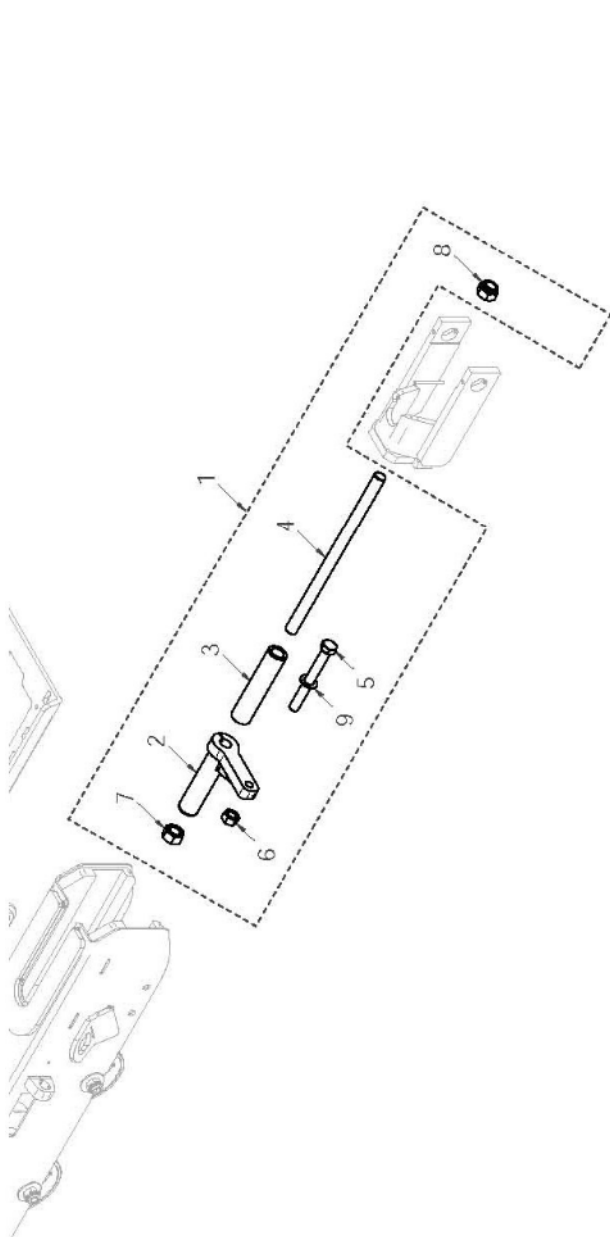


REF.	QTY.	PART No.	DESCRIPTION
			CHASSIS ASSEMBLY
1	2	4000006	DRIVE SPROCKET
2	2	4000263	RUBBER TRACK 250/72/47
3	20	4000352	CYLINDRIC HEAD SCREW
4	20	4000357	KNURLED WASHER
5	1	4000360	RH TRACK DRIVE MOTOR
6	2	4001226	TRACK MOTOR COVER
7	8	4000316	FLANGED HEAD SCREW
8	2	4000011	COVER PLATE
9	2	4000775	TENSIONER COVER
10	1	4000359	LH TRACK DRIVE MOTOR
11	8	4000442	FLANGED HEAD SCREW
12	4	4000744	TRACK BLOCKING
13	2	4000777	SEAL KIT
14	1	4000039	UNDERCARRIAGE HOUSING
15	4	4000010	BUSH
16	4	4000778	SEAL
17	4	4000024	CIRCLIP
18	2	4000005	SPROCKET
19	2	4000004	SPROCKET FORK
20	8	4000353	FLANGED HEAD SCREW
21	4	4000032	ROLL PIN
22	2	4000009	PIN
23	6	4000776	BEARING



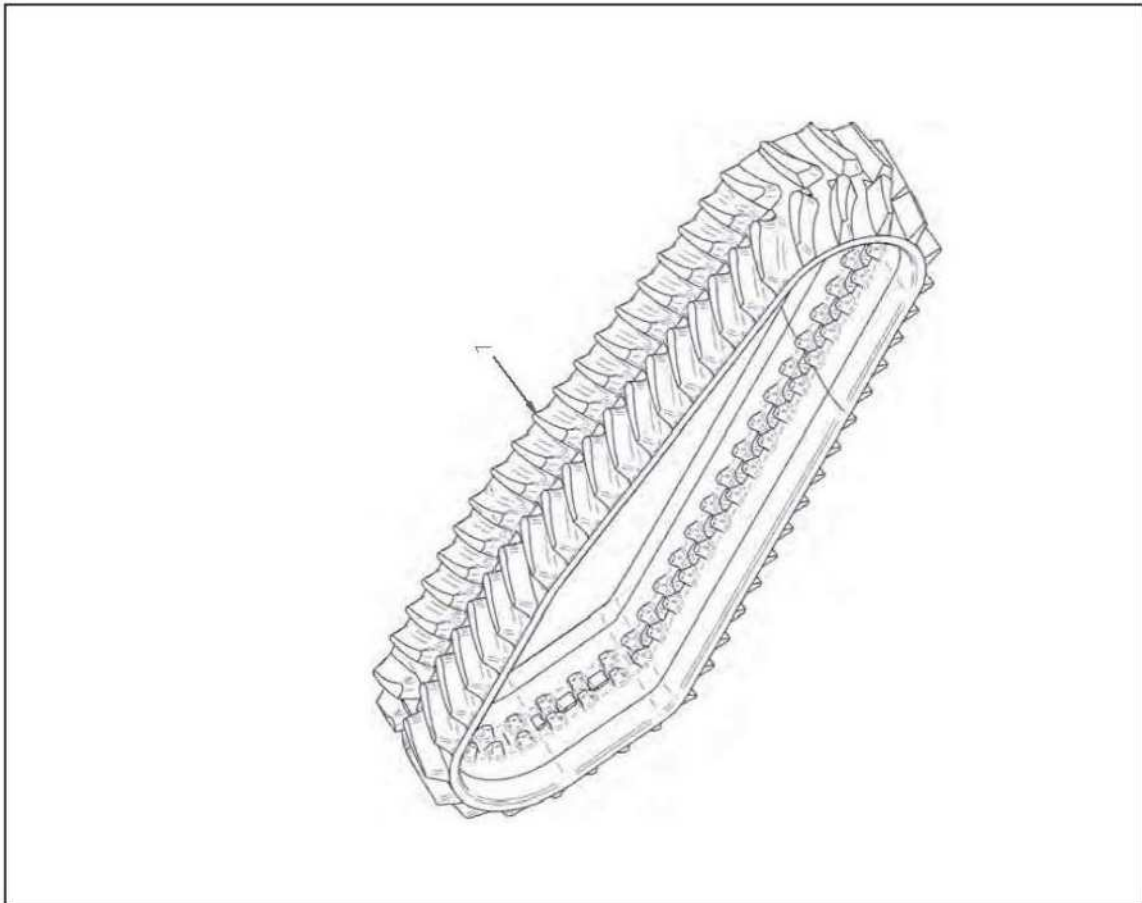
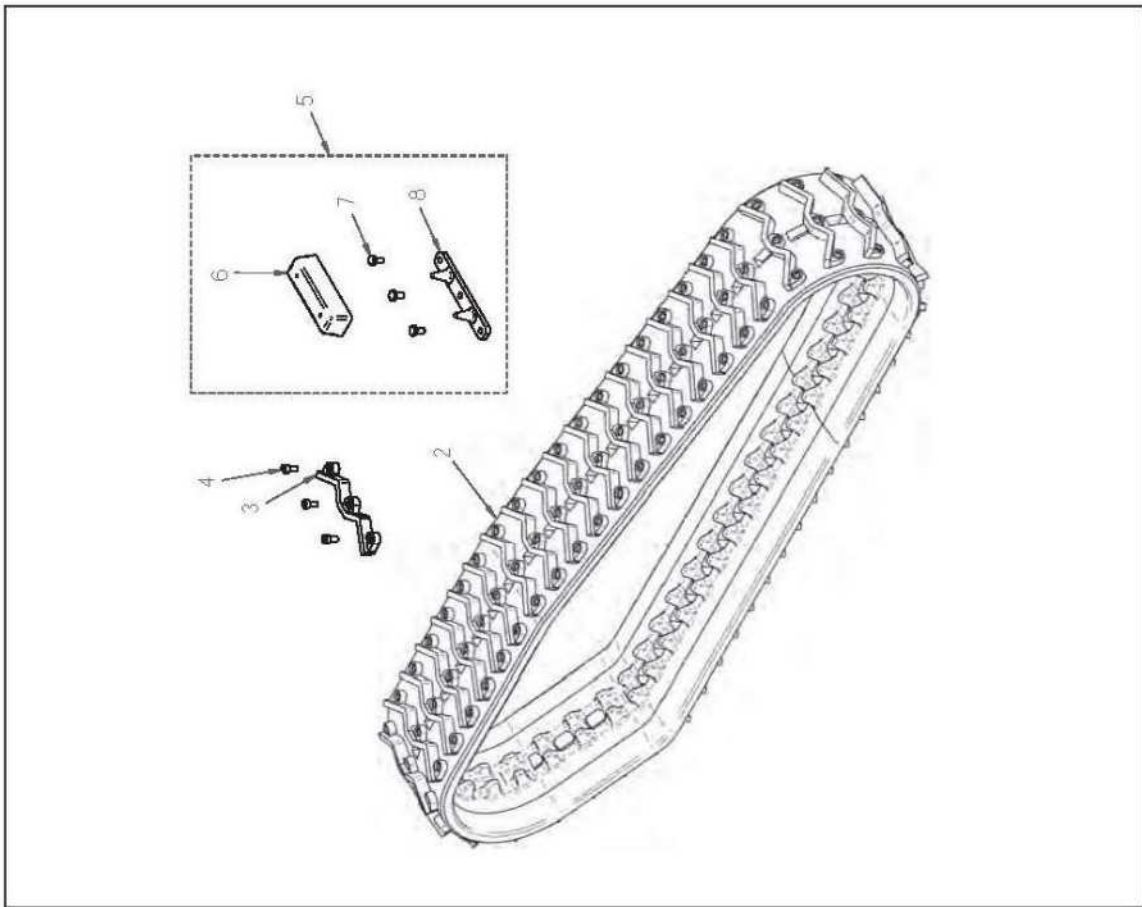
ROBOCUT

REF.	QTY.	PART No.	DESCRIPTION
			TRACK ROLLER ASSEMBLIES
			UPPER ROLLER ASSEMBLY - <i>Comprising of:</i>
1	2	4000362	
2	2	4000355	LOCK NUT
3	2	4000019	WASHER
4	2	4000361	WASHER
5	2	4000351	ROLLER WASHER
6	2	4000780	ROLLER SEAL
7	2	4000023	CIRCLIP
8	2	4000781	TRACK ROLLER BEARING
9	1	4000015	ROLLER PIN
10	1	4000016	ROLLER
			LOWER ROLLER ASSEMBLY - <i>Comprising of:</i>
11	8	4000705	
12	2	4000355	LOCK NUT
13	2	4000019	WASHER
14	2	4000351	ROLLER WASHER
15	2	4000780	ROLLER SEAL
16	2	4000023	CIRCLIP
17	2	4000781	TRACK ROLLER BEARING
18	1	4000015	ROLLER PIN
19	1	4000016	ROLLER

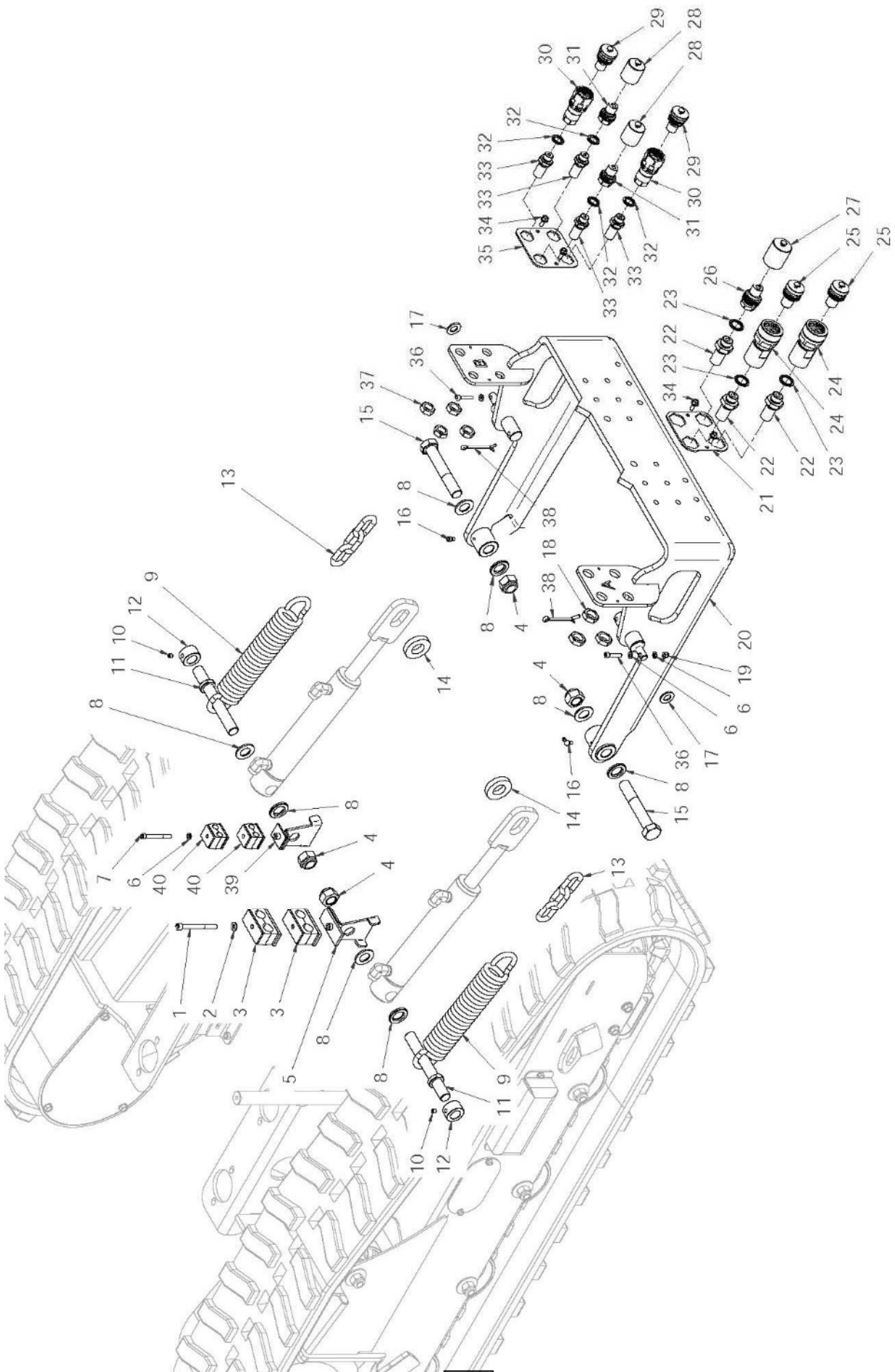


ROBOCUT

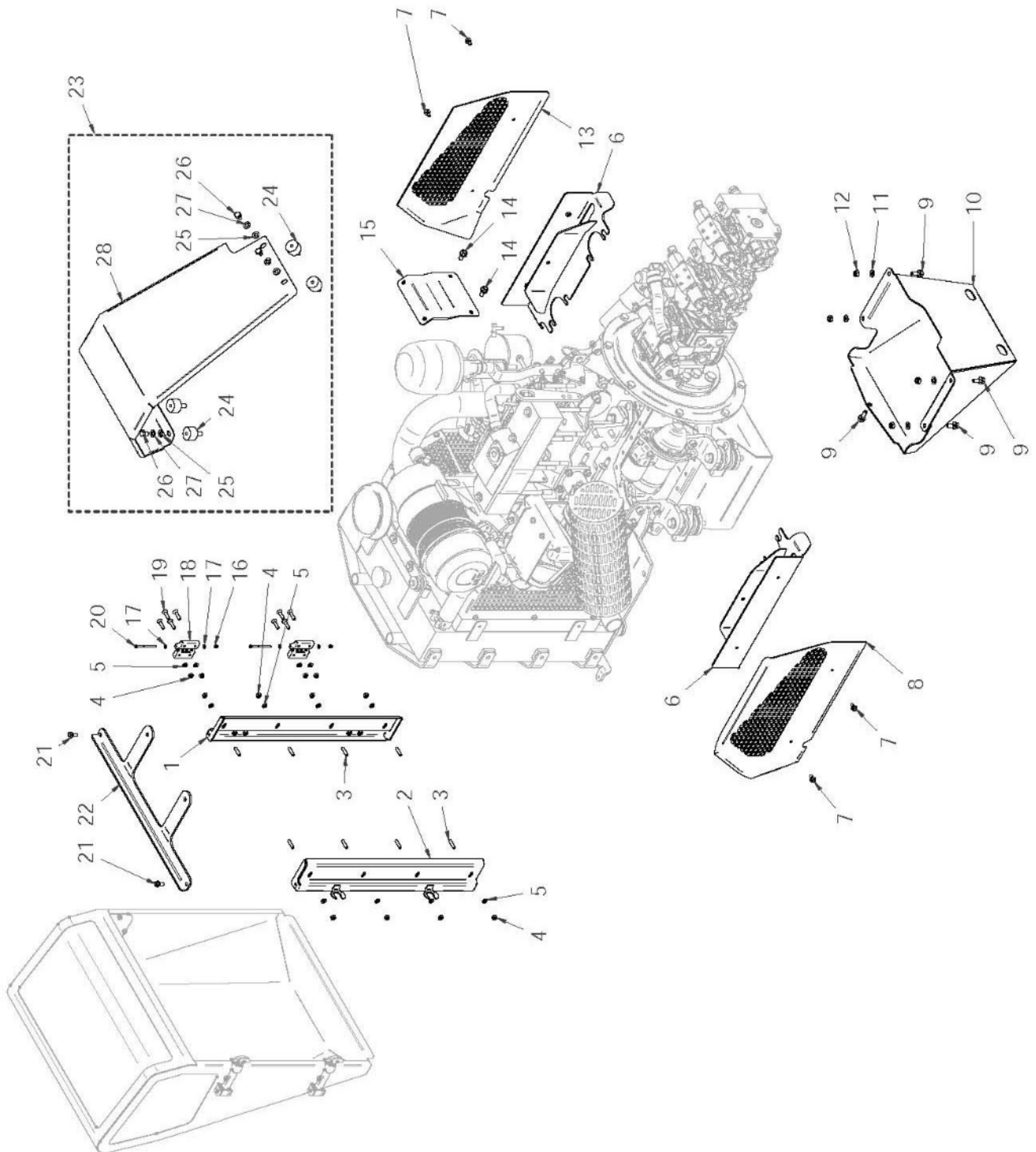
REF.	QTY.	PART No.	DESCRIPTION
			TRACK TENSIONER ASSEMBLIES
1	2	4000782	MECHANICAL TENSIONER - <i>Comprising of:</i>
2	1	4000783	TENSIONER LEVER
3	1	4000784	SPACER
4	1	4000785	TENSIONER
5	1	4000786	HEX HEAD SCREW
6	1	4000787	NUT
7	1	4000788	NUT
8	1	4000018	LOCKNUT
9	1	4000253	WASHER
10	2	4001227	HYDRAULIC TENSIONER - <i>Comprising of:</i>
11	1	4000001	TENSIONER ROD
12	1	4000002	TENSIONER CYLINDER
13	1	4000003	TENSIONER CAP
14	1	4000358	BUTTING HEAD FITTING
	1	4001301	BLANKING PLUG (<i>not shown</i>)
15	1	4000012	VALVE
16	1	4001228	BOLT SEAL
17	1	4000030	O RING
18	1	4000013	VALVE
19	1	4000008	SPRING
20	1	4000014	SPRING
21	1	4000029	PERFORATED NUT
22	1	4000031	WASHER
23	1	4000028	BUSHING
24	1	4000354	GRUB SCREW
25	1	4000018	LOCKNUT



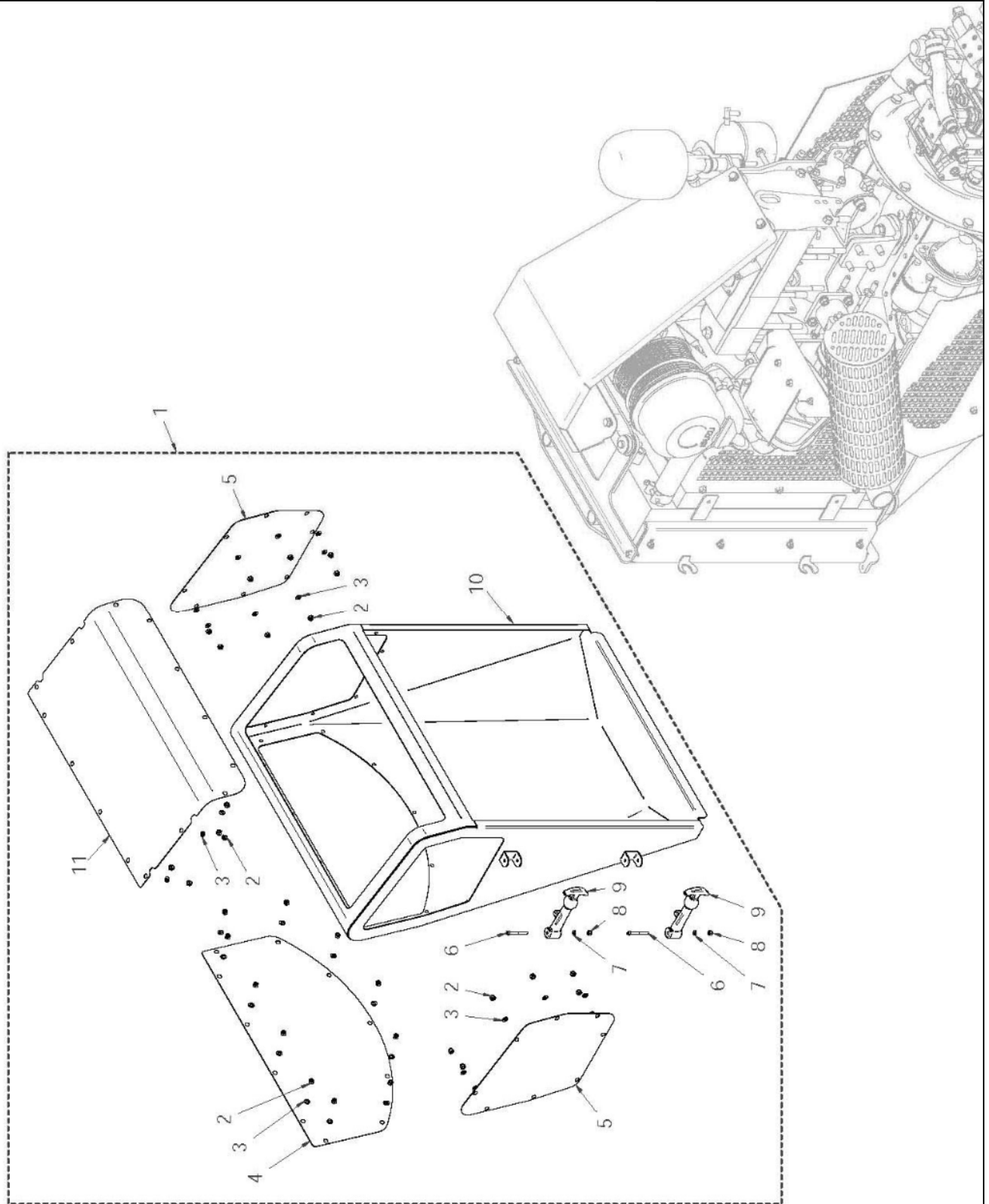
REF.	QTY.	PART No.	DESCRIPTION
			RUBBER TRACKS
1	2	4000263	RUBBER TRACK 250/72/47
	2	4000289	RUBBER TRACK 280/72/47
2	2	4000290	RUBBER TRACK (MOVEABLE STIRRUPS)
3	94	4000035	STEEL STIRRUP
4	282	4000037	BOLT
5	1	4000264	RIVETED STIRRUP KIT - <i>Comprising of:</i>
6	47	4000036	RUBBER TRANSPORT BLOCK
7	141	4000038	BOLT
8	47	4000034	RIVETED STIRRUP



REF.	QTY.	PART No.	DESCRIPTION
			EQUIPMENT MOUNTING ASSEMBLY
1	1	4000365	CYLINDRIC HEAD SCREW
2	1	4000078	WASHER
3	2	4000366	HOSE CLAMP
4	4	4000018	LOCK NUT
5	1	4000363	RH HOSE SUPPORT BRACKET
6	5	4000789	WASHER
7	1	4000108	CYLINDRIC HEAD SCREW
8	8	4000370	BAR WASHER
9	2	4000110	SPRING
10	2	4000369	SETSCREW
11	2	4000089	RAM PIN
12	2	4000090	RETAINING COLLAR
13	2	4000095	CHAIN
14	2	4000091	WASHER
15	2	4000373	SCREW
16	2	4000371	GREASE NIPPLE
17	2	4000790	WASHER
18	3	4000131	NUT
19	2	4000791	LOCKNUT
20	1	4000088	ATTACHMENT MOUNTING FRAME
21	1	4000093	RIGHT BULKHEAD FIXING PLATE
22	3	4000129	BULKHEAD FITTING
23	3	4000792	BONDED SEAL
24	2	4000133	QR COUPLING
25	2	4000139	PLUG (Option)
26	1	4000134	QR COUPLING
27	1	4000137	PLUG (Option)
28	2	4000668	PLUG (Option)
29	2	4000140	PLUG (Option)
30	2	4000132	QR COUPLING
31	2	4000135	QR COUPLING
32	4	7315818	BONDED SEAL
33	4	4000128	BULKHEAD FITTING
34	4	4000316	FLANGED HEAD SCREW
35	1	4000092	LEFT BULKHEAD FIXING PLATE
36	2	4000793	CYLINDRIC HEAD SCREW
37	4	4000130	NUT
38	2	4000794	SPLIT PIN
39	1	4000364	LH HOSE SUPPORT BRACKET
40	2	4000367	HOSE CLAMP

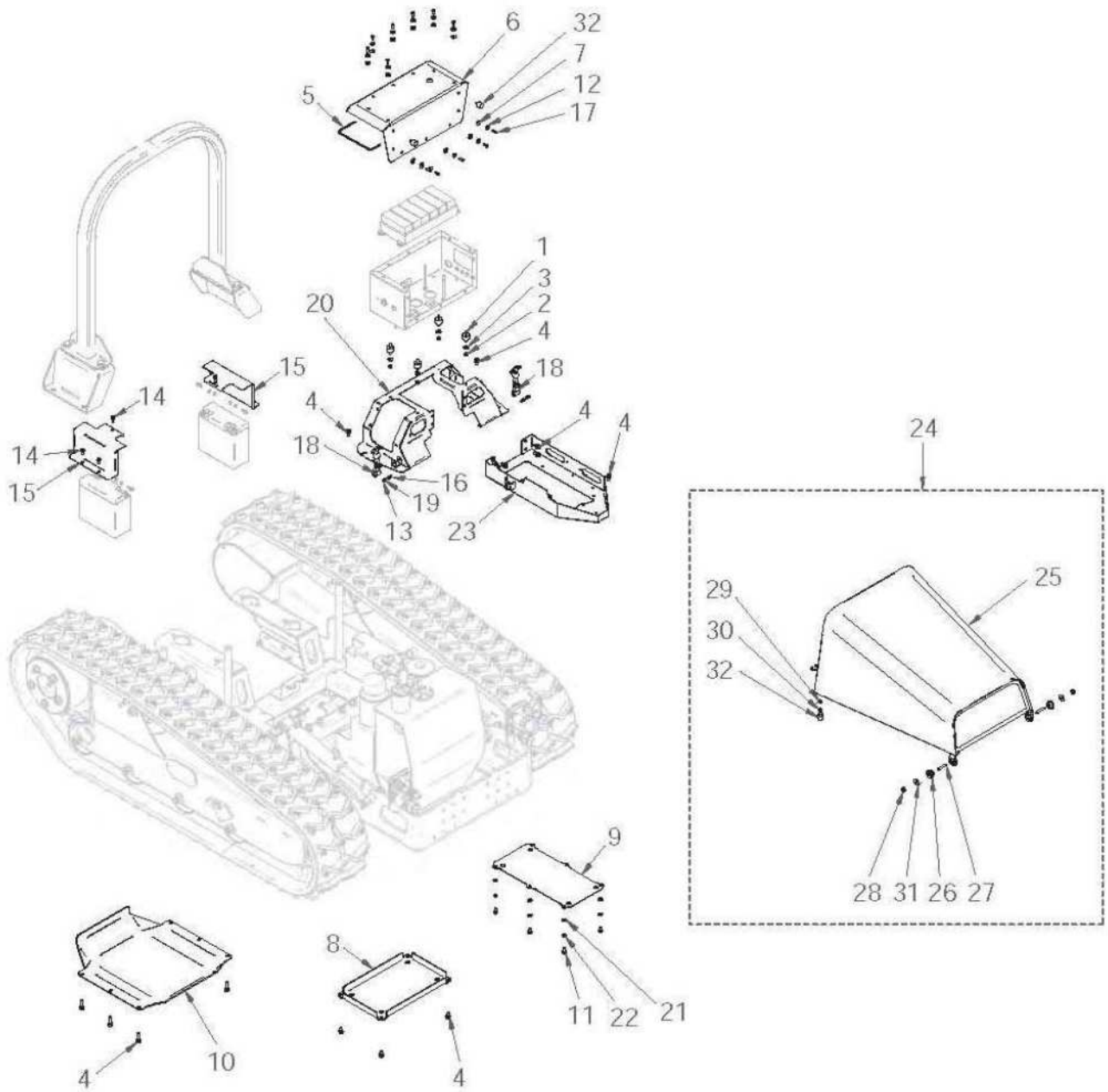


REF.	QTY.	PART No.	DESCRIPTION
			ENGINE COVERS ASSEMBLY
1	1	4000169	RADIATOR LEFT SUPPORT
2	1	4000170	RADIATOR RIGHT SUPPORT
3	8	4000176	HEADLESS SCREW
4	12	4000075	AUTOGRIP NUT
5	12	9100103	WASHER
6	2	4000375	SIDE PROTECTION SUPPORT
7	4	4000379	FLANGED HEAD SCREW
8	1	4000164	RIGHT SIDE BONNET
9	5	4000380	FLANGED HEAD SCREW
10	1	4000172	REAR COVER
11	4	9100104	WASHER
12	4	4000381	AUTOGRIP NUT
13	1	4000165	LEFT SIDE BONNET
14	2	4000353	FLANGED HEAD SCREW
15	1	4000167	AIR FILTER BONNET SUPPORT
16	2	9163001	LOCK NUT
17	4	9100101	WASHER
18	2	4000383	HINGE
19	8	4000378	COUNTERSUNK HEAD SCREW
20	2	4000377	CYLINDRIC HEAD SCREW
21	2	4000316	FLANGED HEAD SCREW
22	1	4000171	RADIATOR CLOSING SUPPORT
23	1	4000795	AIR FILTER BONNET KIT - <i>comprising of:</i>
24	4	4000609	ANTI-VIBRATION BLOCK
25	4	9100104	WASHER
26	4	4000376	SCREW
27	4	9100204	SPRING WASHER
28	1	4000166	AIR FILTER BONNET

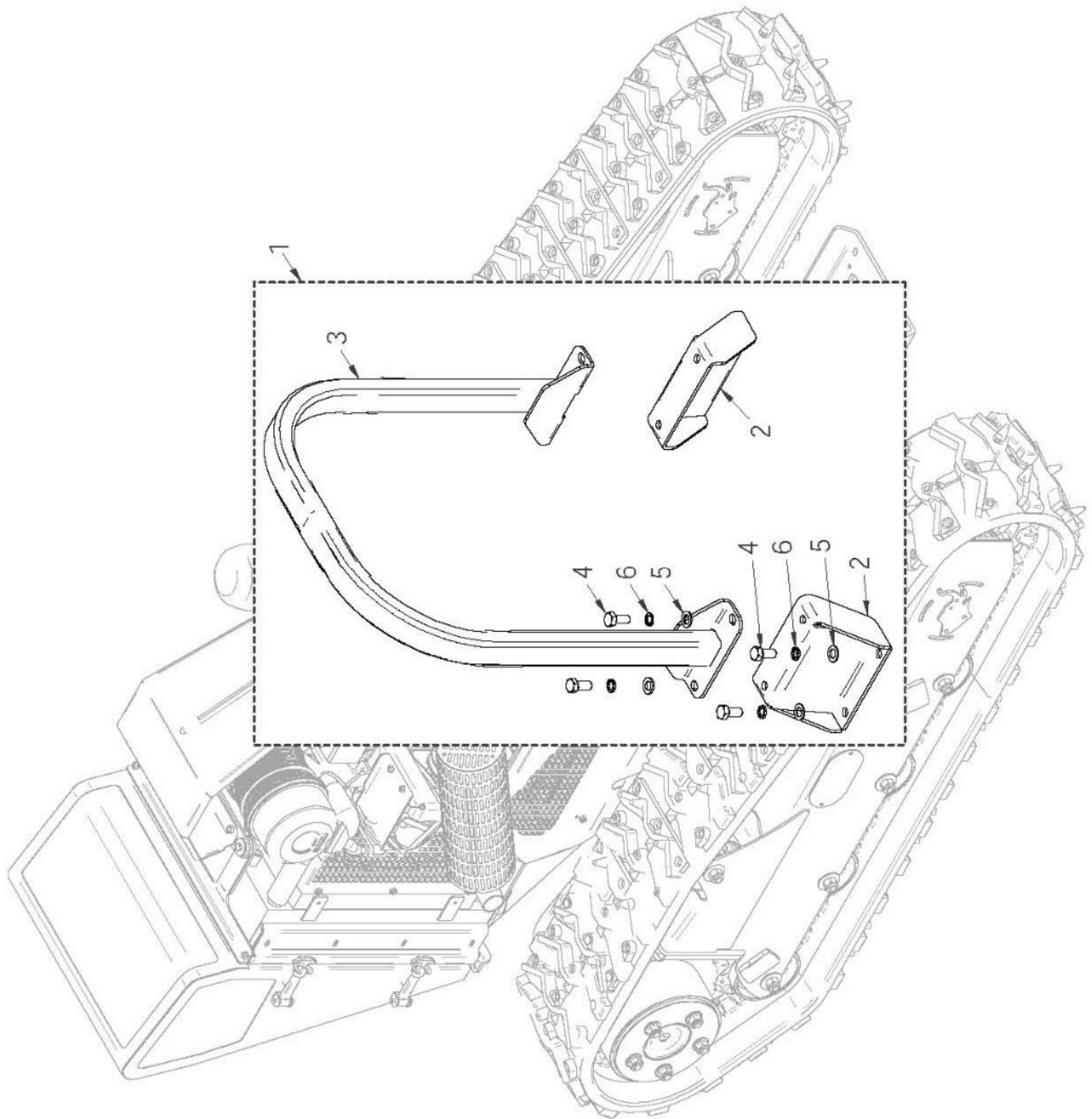


ROBOCUT

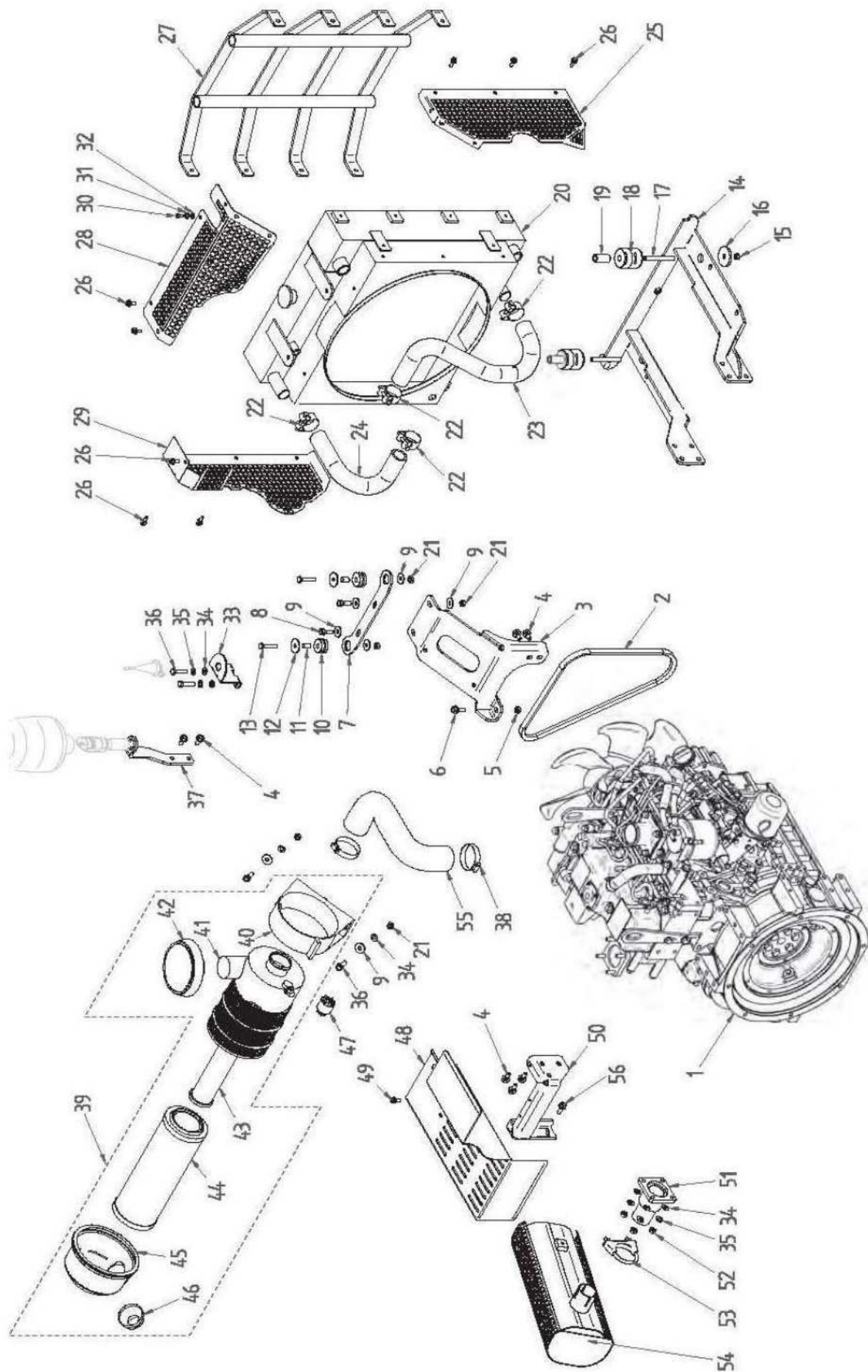
REF.	QTY.	PART No.	DESCRIPTION
			RADIATOR COVERS ASSEMBLY
1	1	4000401	RADIATOR BONNET ASSEMBLY - <i>comprising of:</i>
2	41	4001229	LOCKNUT
3	41	9100102	WASHER
4	1	4000155	CENTRAL LOWER MESH
5	2	4000154	SIDE MESH
6	2	4000107	CYLINDRIC HEAD SCREW
7	2	4000798	WASHER
8	2	4000799	LOCKNUT
9	2	4000112	BONNET FASTENER
10	1	4001230	RADIATOR BONNET
11	1	4000374	CENTRAL UPPER MESH



REF.	QTY.	PART No.	DESCRIPTION
			MACHINE COVERS ASSEMBLY
1	4	4000386	ANTI-VIBRATION BLOCK
2	4	9163003	LOCK NUT
3	4	4000321	WASHER (LARGE SERIES)
4	17	4000353	FLANGED HEAD SCREW
5	1	4000800	RUBBER GASKET
6	1	4000801	ELECTRICAL BOX COVER
7	12	4000388	RUBBER WASHER
8	1	4000161	VALVE COVER PLATE
9	1	4000162	TANK COVER PLATE
10	1	4000168	OIL SUMP PROTECTION
11	6	4000376	SCREW
12	16	4000321	WASHER
13	2	4000107	CYLINDRIC HEAD SCREW
14	6	4000316	FLANGED HEAD SCREW
15	2	4000153	BATTERY COVER
16	2	9163001	LOCKNUT
17	12	4000387	HEX SKT BUTTON HEAD SCREW
18	2	4000112	BONNET FASTENER
19	4	9100101	WASHER
20	1	4000098	ELECTRIC BOX MOUNTING FRAME
21	6	9100104	WASHER
22	6	9100204	SPRING WASHER
23	1	4000099	REMOTE RECEIVER MOUNTING
24	1	4000803	UPPER BONNET ASSEMBLY - <i>comprising of:</i>
25	1	4000804	UPPER BONNET
26	2	4000163	BUSHING
27	2	4000384	HEADLESS SCREW
28	2	4000381	AUTOGRIP NUT
29	2	4000075	AUTOGRIP NUT
30	2	9100103	WASHER
31	2	4000385	WASHER
32	4	4000251	ANTI-VIBRATION BLOCK

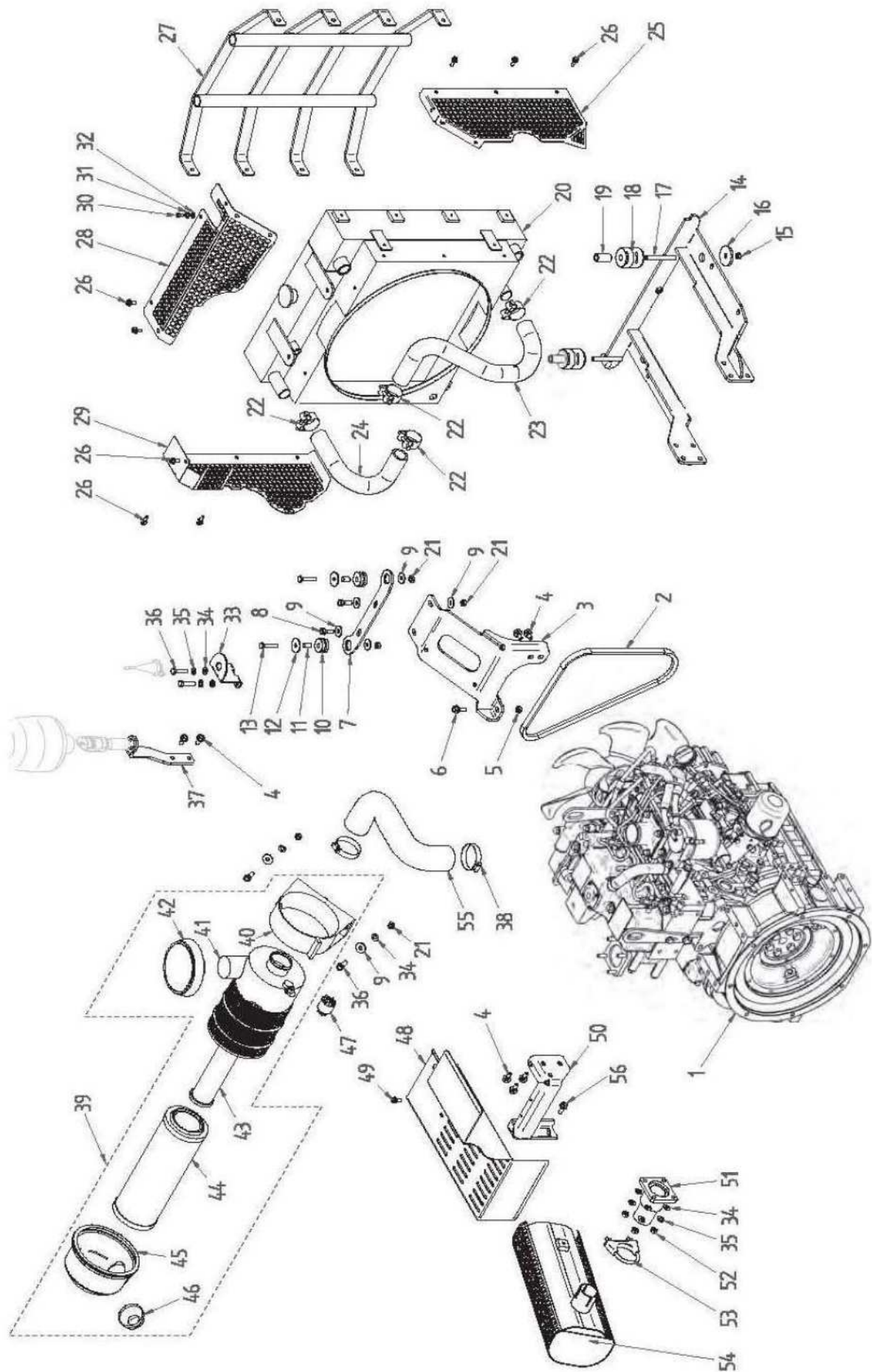


REF.	QTY.	PART No.	DESCRIPTION
			ROLL BAR ASSEMBLY
1	1	4000805	ROLL BAR KIT - <i>comprising of:</i>
2	2	4000151	ROLL BAR SUPPORT
3	1	4000152	ROLL BAR
4	8	4000175	HEX HEAD SCREW
5	8	9100207	SPRING WASHER
6	8	0100106	WASHER

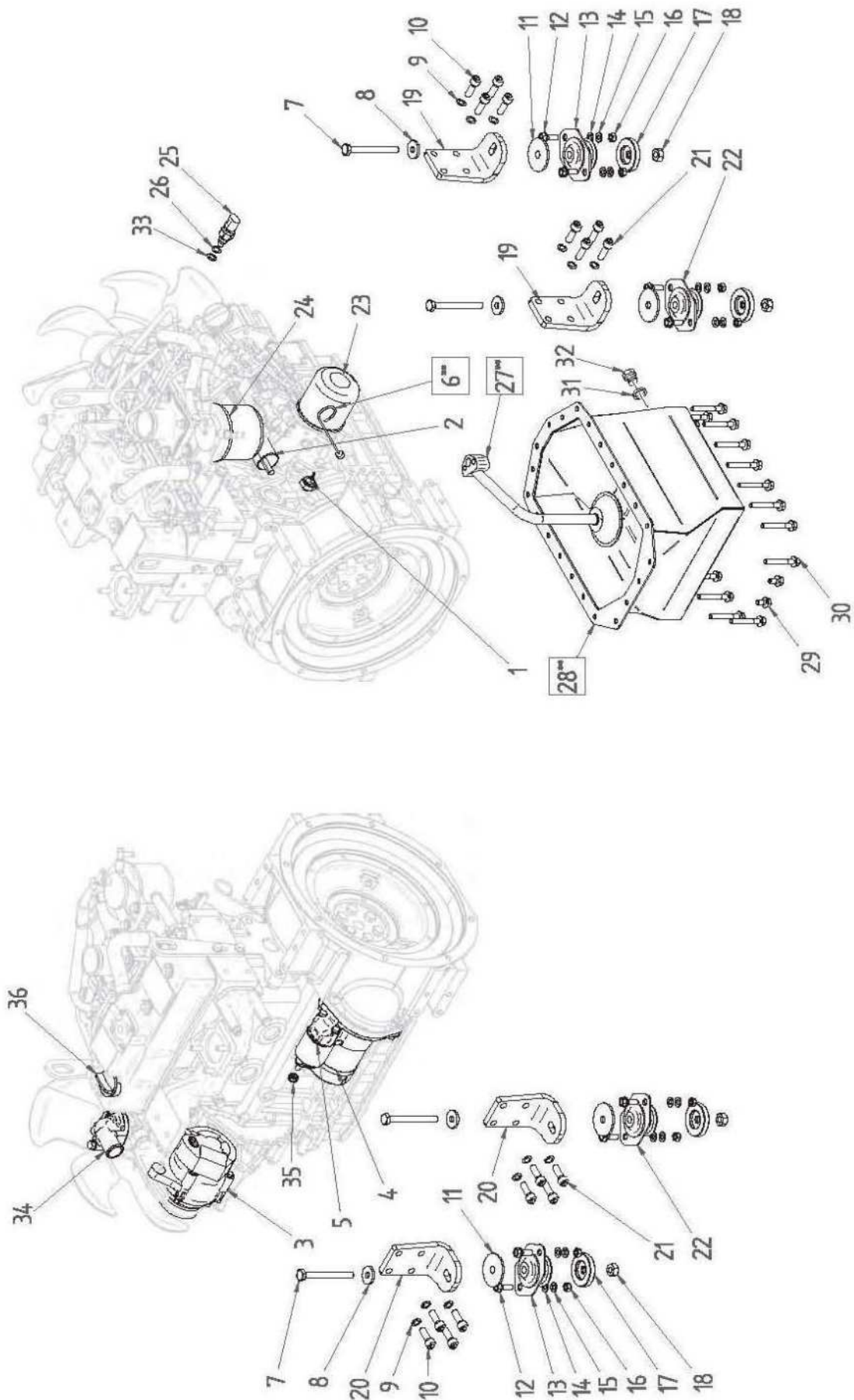


REF.	QTY.	PART No.	DESCRIPTION
			DIESEL ENGINE
1	1	4000701	ISUZU ENGINE (40HP)
2	1	4000275	MOTOR BELT
3	1	4000054	AIR FILTER MOUNTING
4	7	4000353	FLANGED HEAD SCREW
5	8	4000381	AUTOGRIP NUT
6	1	4000380	FLANGED HEAD SCREW
7	1	4001231	RADIATOR BRACKET
8	2	4000806	HEXAGON HEAD SCREW
9	8	4000385	WASHER (LARGE SERIES)
10	2	4000084	ANTI-VIBRATION RUBBER
11	2	4000389	SPACER
12	2	4000080	WASHER (LARGE SERIES)
13	2	4000807	HEXAGON HEAD SCREW
14	1	4001232	RADIATOR SUPPORT BRACKET
15	2	4000416	AUTOGRIP NUT
16	2	4000390	WASHER
17	2	4000068	HEADLESS SCREW
18	2	4000083	ANTI-VIBRATION MOUNTING
19	2	4000391	SPACER
20	1	4000046	RADIATOR
21	6	4000808	LOCKNUT
22	4	4000607	HEAVY DUTY HOSE CLIP
23	1	4000392	RADIATOR HOSE LEFT
24	1	4000393	RADIATOR HOSE RIGHT
25	1	4000041	LEFT MESH GUARD
26	11	4000394	FLANGED HEAD SCREW
27	1	4000047	RADIATOR PROTECTION
28	1	4000043	UPPER MESH GUARD
29	1	4000042	RIGHT MESH GUARD
30	1	4000395	SCREW
31	1	9100203	WASHER
32	1	9100103	WASHER
33	1	4000396	ANTENNA BRACKET
34	8	9100104	WASHER
35	6	9100204	SPRING WASHER
36	4	9313074	SETSCREW
37	1	4000286	LIGHT BRACKET
38	2	4000397	CLIP
39	1	4000400	AIR FILTER COMPLETE c/w CLIP
40	1	4000052	AIR FILTER BRACKET
41	1	4000048	AIR FILTER HOUSING
42	1	4000051	AIR FILTER COVER

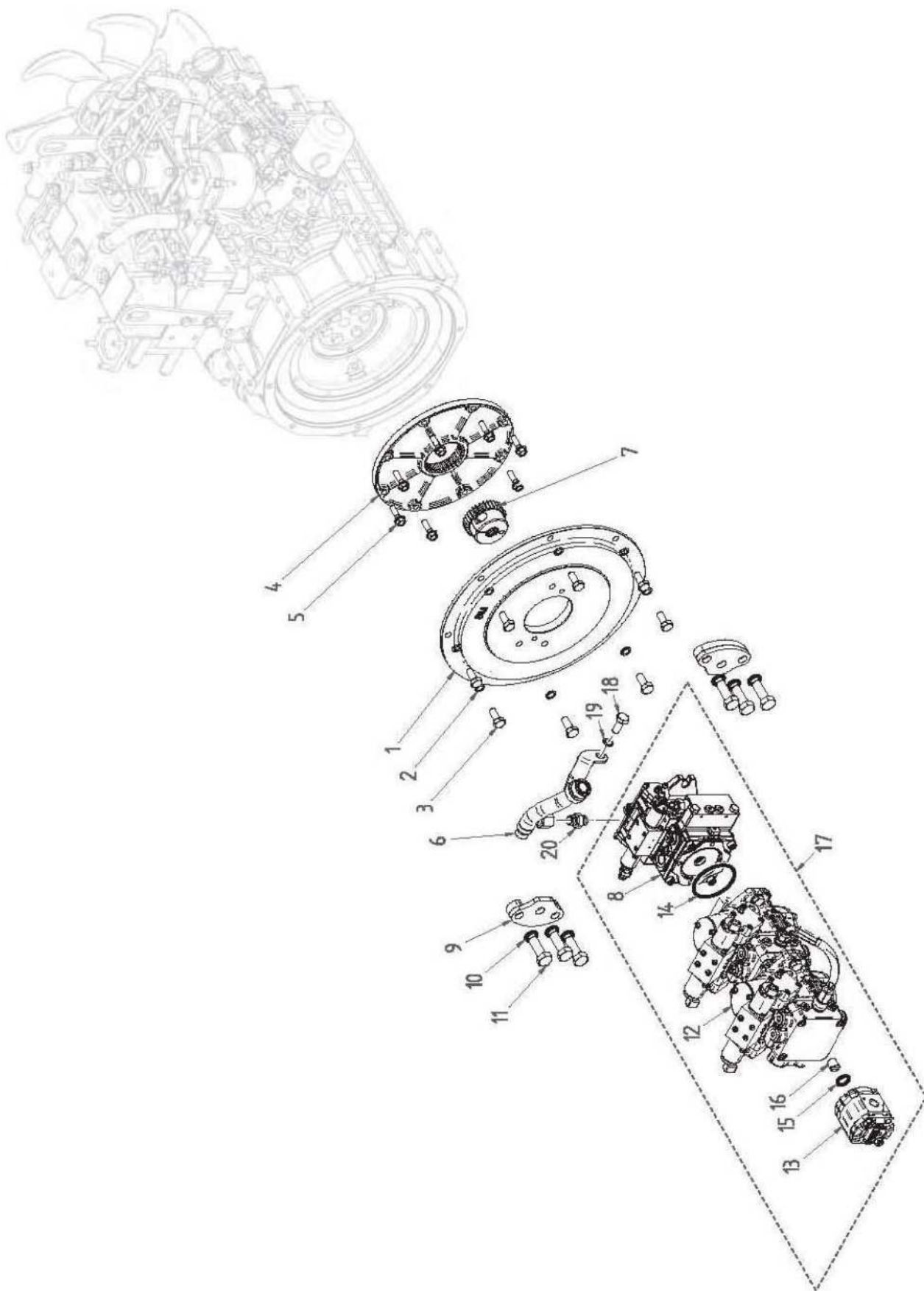
Continued ...



REF.	QTY.	PART No.	DESCRIPTION
			DIESEL ENGINE (Continued)
43	1	4000261	SECONDARY AIR FILTER
44	1	4000260	PRIMARY AIR FILTER
45	1	4000280	FILTER HOUSING CAP
46	1	4000279	RUBBER VALVE
47	1	4000281	CLOGGING SENSOR
48	1	4001233	ALTERNATOR LID
49	2	4000810	FLANGED HEAD SCREW
50	1	4000062	EXHAUST SUPPORT
51	1	4000061	EXHAUST MANIFOLD
52	4	9113004	NUT
53	1	4000399	CLIP
54	1	4001234	EXHAUST SILENCER
55	1	4000398	RUBBER HOSE
56	1	4000319	FLANGED HEAD SCREW

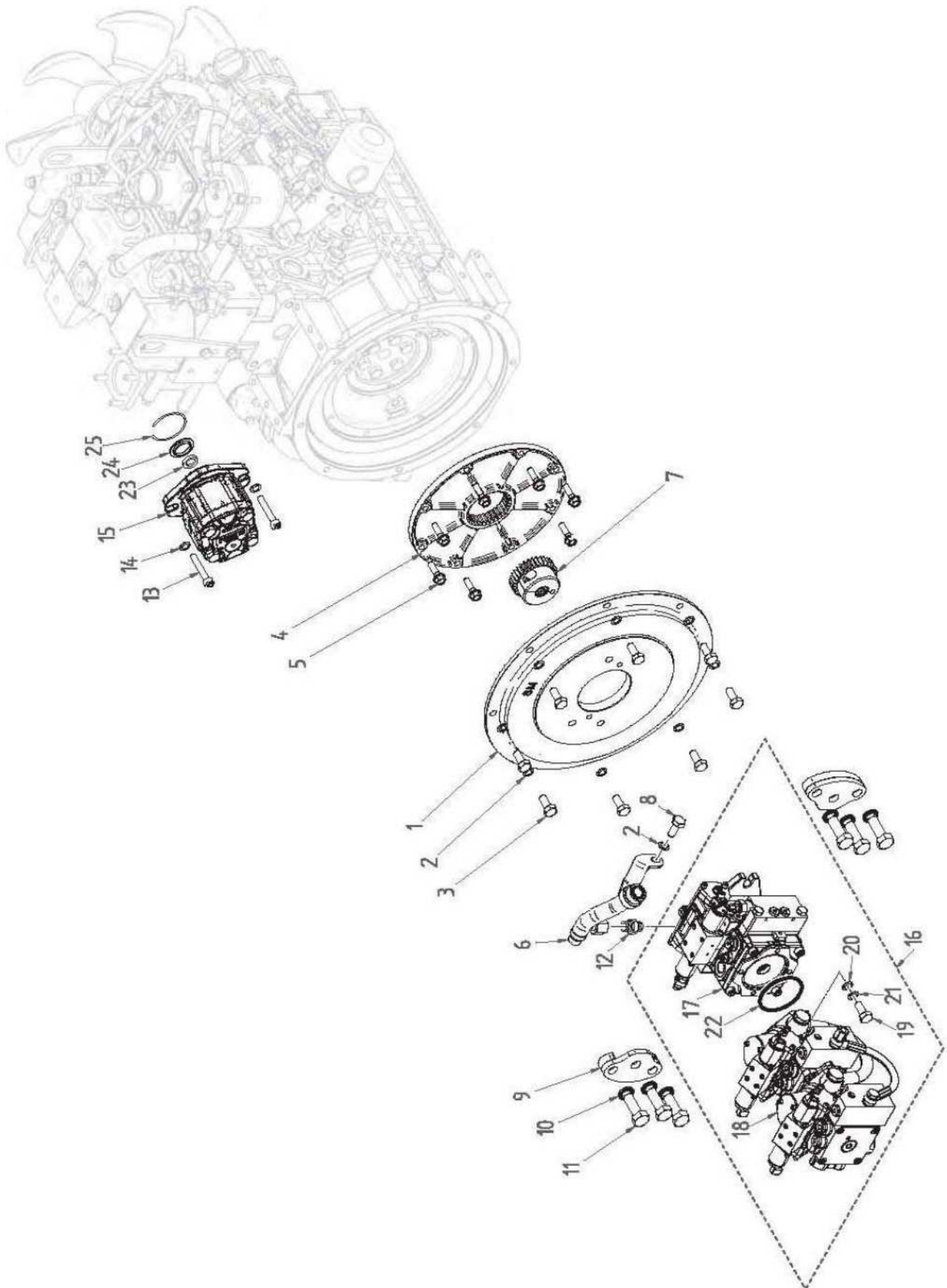


REF.	QTY.	PART No.	DESCRIPTION
			DIESEL ENGINE COMPONENTS
1	1	4000403	OIL SENSOR
2	1	4000404	SOLENOID - ELECTRICAL STOP
3	1	4000405	ALTERNATOR
4	1	4000406	STARTER MOTOR
5	1	4000407	SOLENOID - STARTER MOTOR
6	1	4000408	DIPSTICK
7	4	4000409	SETSCREW
8	4	9100106	WASHER
9	16	4000410	KNURLED WASHER
10	8	4000411	CYLINDRIC HEAD SCREW
11	4	4000412	SILENCING WASHER
12	8	4001235	HEX SKT BUTTON HEAD SCREW
13	2	4000414	REAR ANTI-VIBRATION MOUNTING
14	8	9100105	WASHER
15	8	4000415	WASHER
16	8	4000416	AUTOGRIP NUT
17	4	4000417	ANTI-VIBRATION BLOCK
18	4	4000418	AUTOGRIP NUT
19	2	4000419	LH ENGINE MOUNTING
20	2	4000420	RH ENGINE MOUNTING
21	8	4000421	CYLINDRIC HEAD SCREW
22	2	4000422	FRONT ANTI-VIBRATION MOUNTING
23	1	4000257	ENGINE OIL FILTER
24	1	4000105	FUEL FILTER
25	1	4000698	WATER SENSOR
26	2	4000424	COPPER WASHER
27	1	4000425	SUCTION STRAINER
28	1	4000053	OIL SUMP
29	4	4000353	FLANGED HEAD SCREW
30	20	4000812	FLANGED HEAD SCREW
31	1	4000427	COPPER WASHER
32	1	4000428	PLUG
33	1	4000813	ALUMINIUM WASHER
34	1	4000814	WATER PUMP
35	1	4000815	FLANGED NUT
36	1	4000735	OIL FILLER PLUG

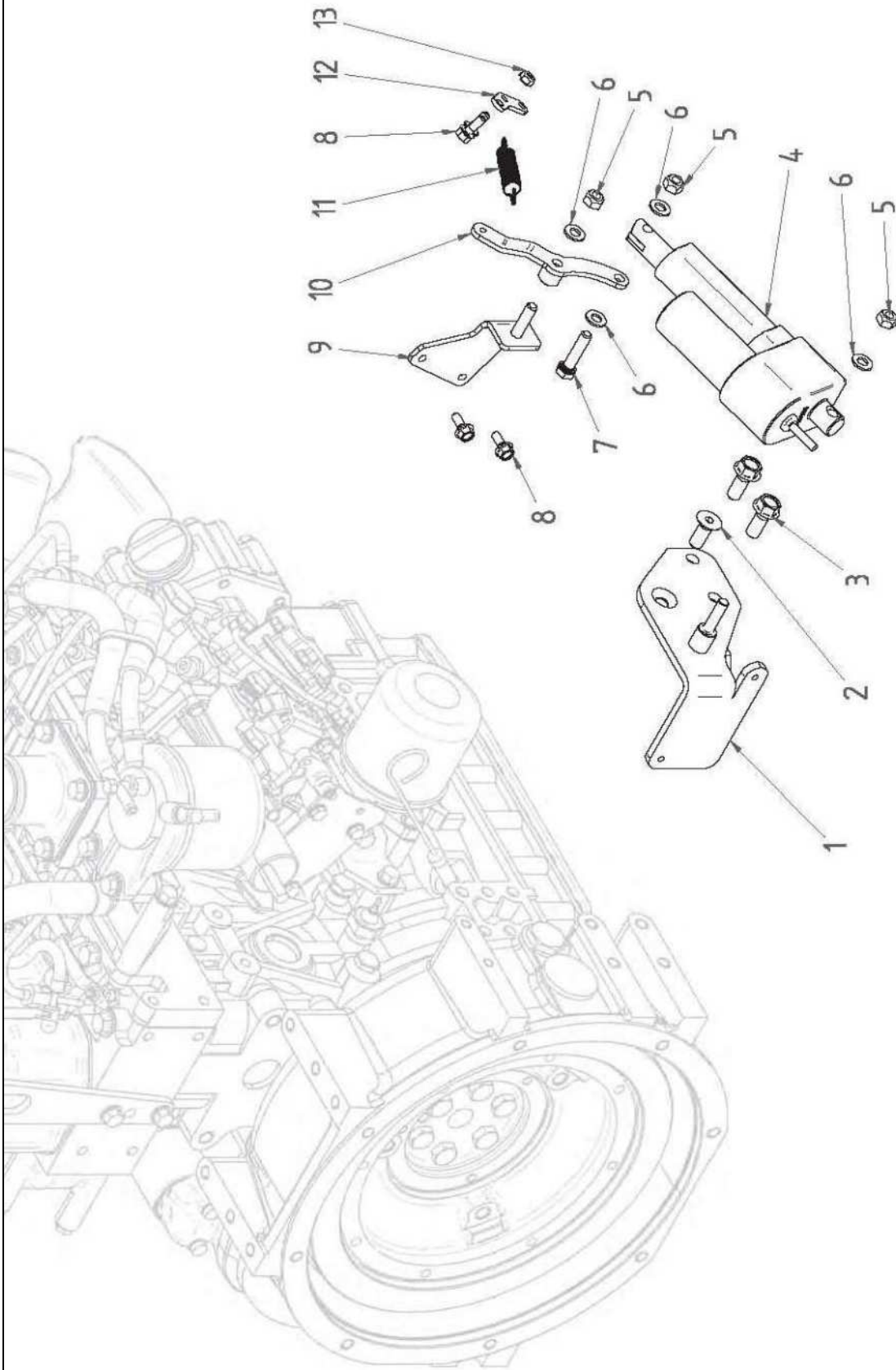


ROBOCUT

REF.	QTY.	PART No.	DESCRIPTION
			PUMPS ASSEMBLY (Early Builds)
			Machines S/N: ► ROBO071100027
1	1	4000429	FLYWHEEL PUMP ADAPTOR
2	9	4000410	KNURLED WASHER
3	8	4000209	HEX HEAD SCREW
4	1	4000297	FLYWHEEL
5	8	4000430	FLANGED HEAD SCREW
6	1	4000431	PUMP MANIFOLD
7	1	4000432	GROOVED JOINT
8	1	4000296	ROTOR PUMP
9	2	4000433	PUMP CLAMP
10	6	4000434	LOCK WASHER
11	6	4000435	HEX HEAD SCREW
12	1	4001312	TANDEM PISTON PUMP
13	1	4001313	GEAR PUMP
14	1	4000438	O RING
15	1	4001314	O RING
16	1	4001315	DRIVE COUPLING
17	1	4001316	PUMPS ASSEMBLY
18	1	4000440	SETCREW
19	1	4000758	WASHER
20	1	7315797	CONNECTOR

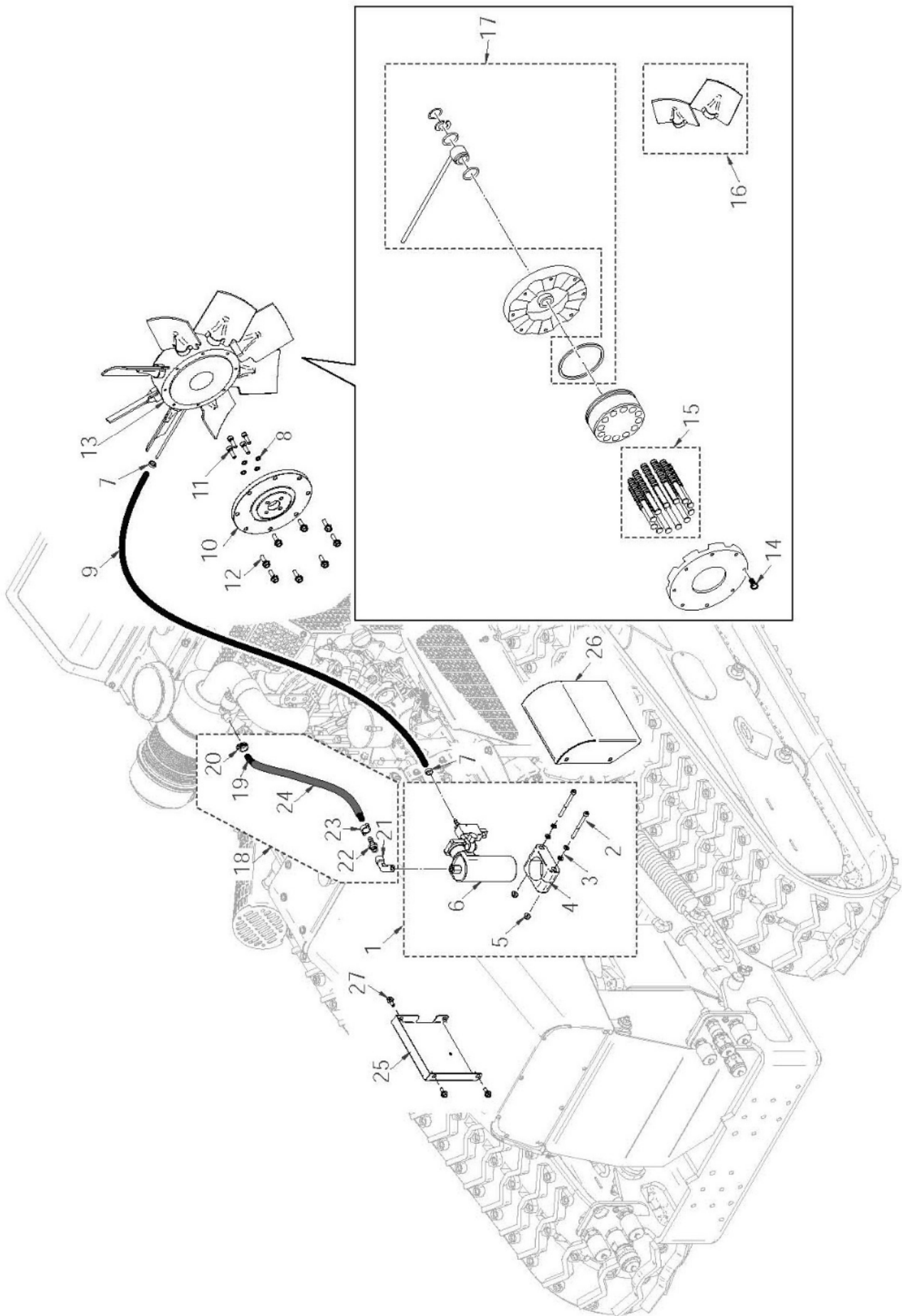


REF.	QTY.	PART No.	DESCRIPTION
			PUMPS ASSEMBLY (Current Builds)
			Machines S/N: ROBO071100028 ►
1	1	4000429	FLYWHEEL PUMP ADAPTOR
2	9	4000410	KNURLED WASHER
3	8	4000209	HEX HEAD SCREW
4	1	4000297	FLYWHEEL
5	8	4000430	FLANGED HEAD SCREW
6	1	4000431	PUMP MANIFOLD
7	1	4000432	GROOVED JOINT
8	1	4000440	HEX HEAD SCREW
9	2	4000433	PUMP CLAMP
10	6	4000434	LOCK WASHER
11	6	4000435	HEX HEAD SCREW
12	1	7315797	CONNECTOR
13	2	4000437	CYLINDRIC HEAD SCREW
14	2	4000758	WASHER
15	1	4000345	GEAR PUMP
16	1	4000439	PISTON PUMP
17	1	4000296	ROTOR PUMP
18	1	4000436	TANDEM PISTON PUMP
19	2	4000210	HEX HEAD SCREW
20	2	4000410	KNURLED WASHER
21	2	9100105	WASHER
22	1	4000438	O RING
23	1	4000346	OIL SEAL
24	1	4000898	PUMP RING
25	1	4001236	CIRCLIP



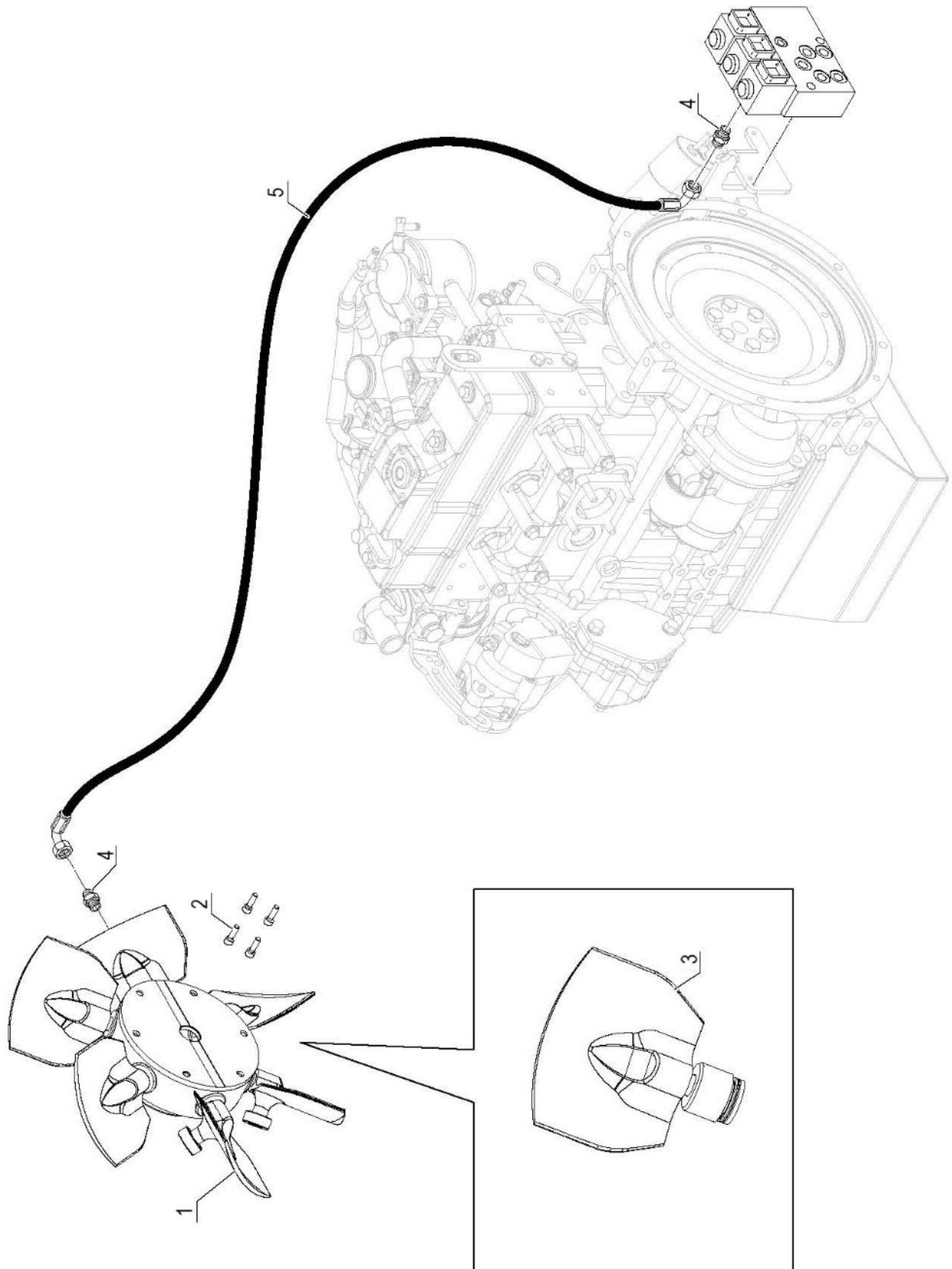
REF.	QTY.	PART No.	DESCRIPTION
			ACTUATOR ASSEMBLY
1	1	4000057	BRACKET
2	1	4000441	COUNTERSUNK HEAD SCREW
3	2	4000442	FLANGED HEAD SCREW
4	1	4000086	ACTUATOR
5	3	4000381	AUTOGRIP NUT
6	4	4000078	WASHER
7	1	4000806	HEX HEAD SCREW
8	4	4000316	FLANGED HEAD SCREW
9	1	4000058	THROTTLE BRACKET
10	1	4000059	ACTUATOR ARM
11	1	4000074	THROTTLE SPRING
12	1	4000060	ACTUATOR SPRING LINKAGE
13	2	4000443	AUTOGRIP NUT

ROBOCUT



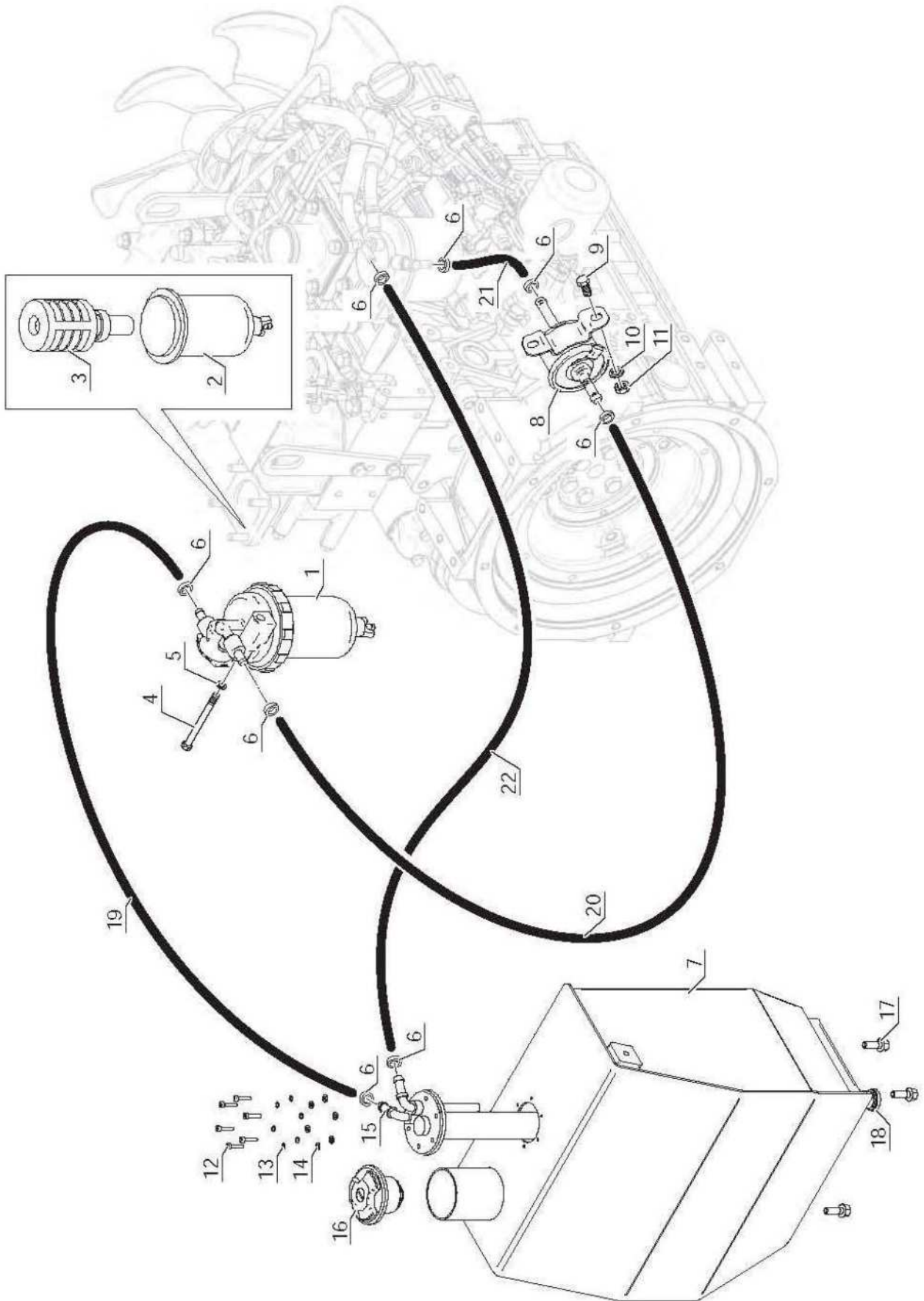
ROBOCUT

REF.	QTY.	PART No.	DESCRIPTION
			REVERSIBLE FAN ASSEMBLY
1	1	4001237	COMPRESSOR ASSEMBLY - <i>comprising of:</i>
2	2	4001238	CYLINDRIC HEAD SCREW
3	2	4000789	WASHER
4	1	4000450	COMPRESSOR CLAMP
5	2	4000449	FLANGED NUT
6	1	4000446	COMPRESSOR
7	2	4000453	HOSE CLAMP
8	4	4001239	KNURLED WASHER
9	1	4000466	AIR HOSE
10	1	4001240	FAN FLANGE
11	4	4000543	CYLINDRIC HEAD SCREW
12	8	4000472	FLANGED HEAD SCREW
13	1	4001241	REVERSIBLE FAN
14	8	4001242	SCREW
15	12	4001243	SPRING KIT
16	4	4000699	BLADE SET FOR FAN (2 BLADES)
17	1	4001244	IRON PIPE KIT
18	1	4001245	AIR FILTER SUCTION LINE KIT - <i>comprising of:</i>
19	1	4001246	SLEEVING
20	1	4001247	JUBILEE CLIP
21	1	4001248	CONNECTOR
22	1	4001249	HOSE CONNECTOR
23	1	4000467	HOSE CLAMP
24	1	4001250	HOSE
25	1	4001251	COMPRESSOR REAR COVER
26	1	4001252	COMPRESSOR FRONT COVER
27	1	4000316	FLANGED HEAD SCREW

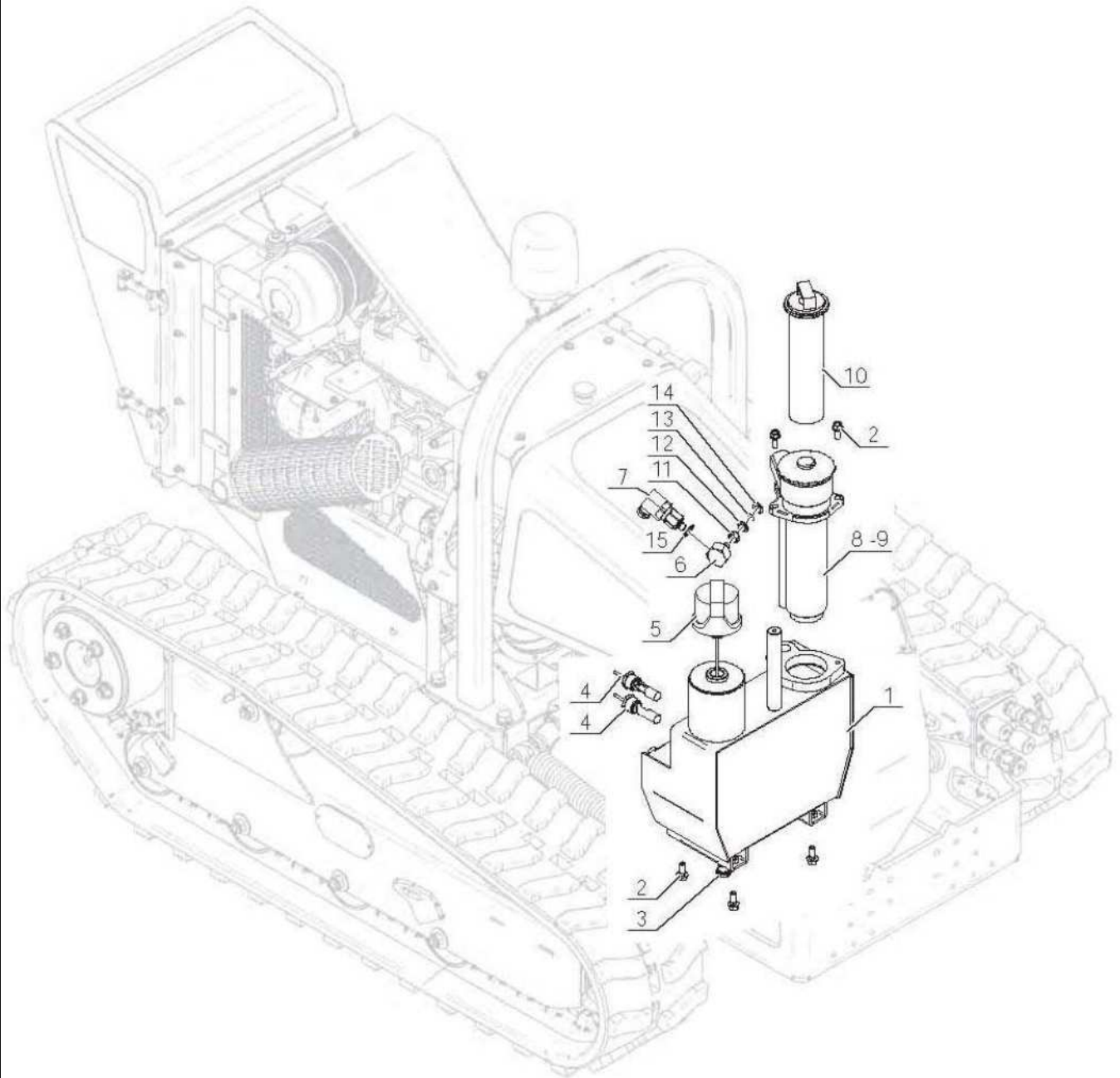


ROBOCUT

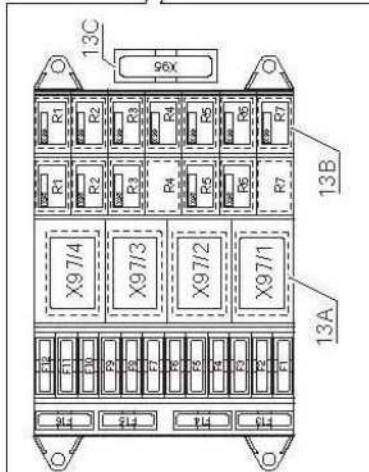
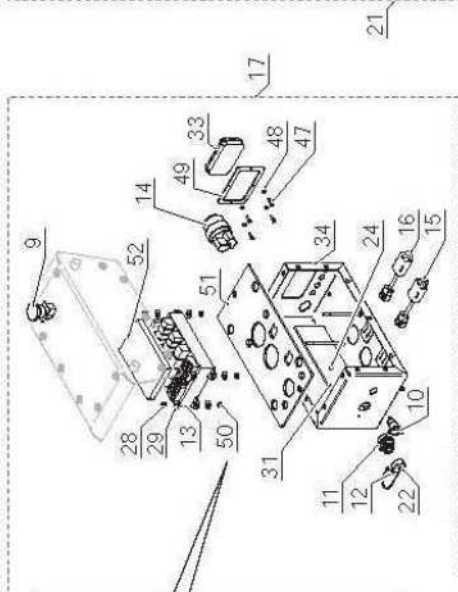
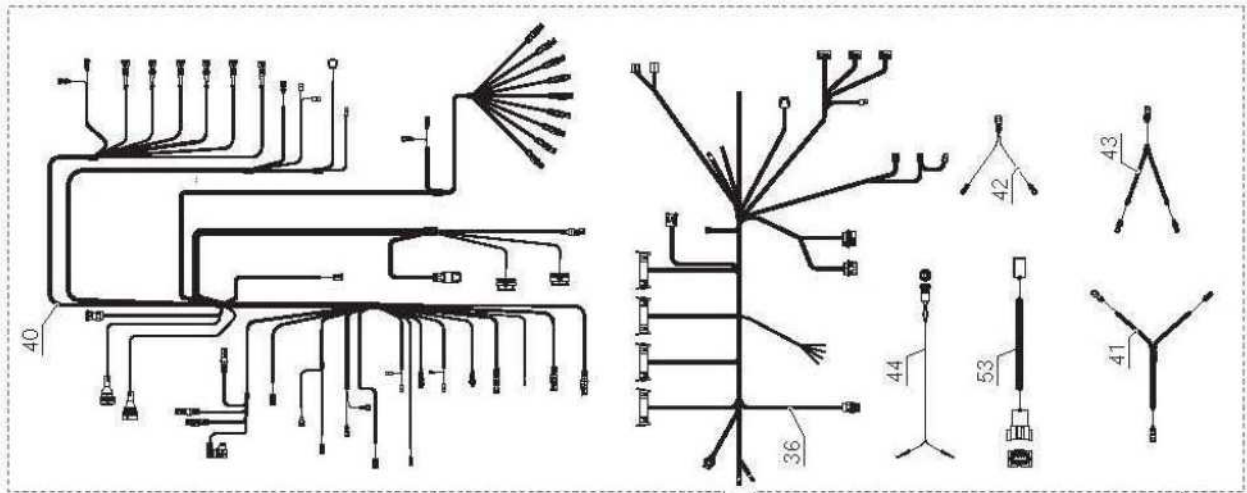
REF.	QTY.	PART No.	DESCRIPTION
			REVERSIBLE FAN ASSEMBLY
1	1	4001098	REVERSIBLE FAN
2	4	4000543	CYLINDRIC HEAD SCREW
3	6	4001099	FAN BLADE
4	1	4001100	ADAPTOR
5	1	4003186	HYDRAULIC HOSE



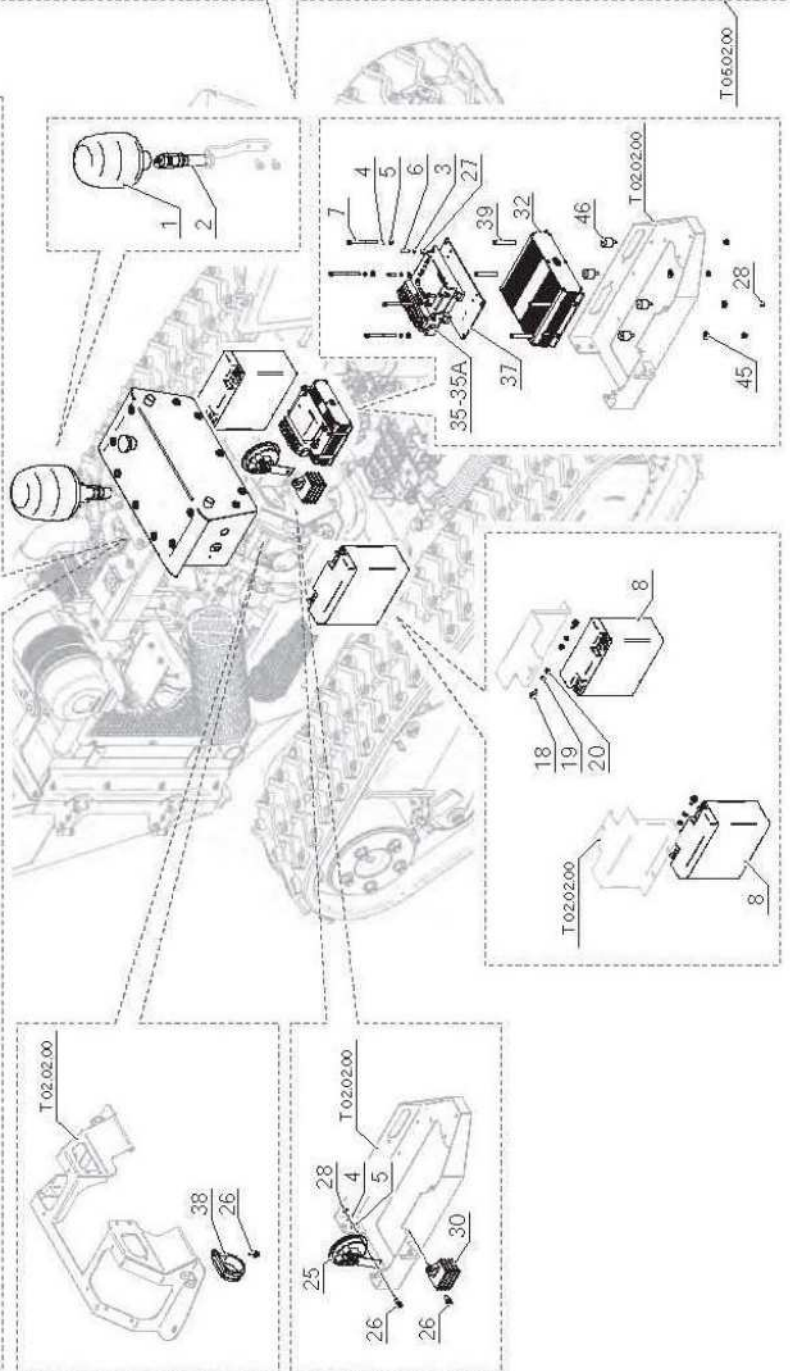
REF.	QTY.	PART No.	DESCRIPTION
			DIESEL FUEL CIRCUIT
1	1	4000292	PRIMARY FUEL FILTER
2	1	4000341	FUEL FILTER CAP
3	1	4000342	PRIMARY FILTER CARTRIDGE
4	1	9213144	HEX HEAD SCREW
5	1	9100104	WASHER
6	8	4000467	HOSE CLAMP
7	1	4000096	FUEL TANK
8	1	4000126	FUEL PUMP
9	2	4000472	FLANGED HEAD SCREW
10	2	9100103	WASHER
11	2	4000443	AUTOGRIP NUT
12	6	4000106	CYLINDRIC HEAD SCREW
13	6	4000113	SPRING WASHER
14	6	9100101	WASHER
15	1	4000473	FUEL LEVEL SENSOR
16	1	4000474	FUEL CAP
17	8	7315750	FLANGED HEAD SCREW
18	2	4000127	PLUG
19	1	4000468	DIESEL HOSE - 1190mm
20	1	4000469	DIESEL HOSE - 870mm
21	1	4000470	DIESEL HOSE - 260mm
22	1	4000471	DIESEL HOSE - 1350mm



REF.	QTY.	PART No.	DESCRIPTION
			OIL TANK ASSEMBLY
1	1	4000097	OIL TANK
2	6	7315750	FLANGED HEAD SCREW
3	2	4000127	PLUG
4	2	4000148	LEVEL SENSOR
5	1	4000124	OIL CAP / LEVEL
6	1	4000475	OIL FILTER SENSOR BRACKET
7	1	4000476	FILTER CLOGGING SWITCH
8	1	4000122	OIL FILTER HOUSING
9	1	4000817	OIL FILTER
10	1	4000259	OIL FILTER ELEMENT
11	1	4000818	NUT
12	1	4000819	O RING WASHER
13	1	4000820	O RING
14	1	4000821	O RING STOPPER
15	1	4000822	BOLT SEAL

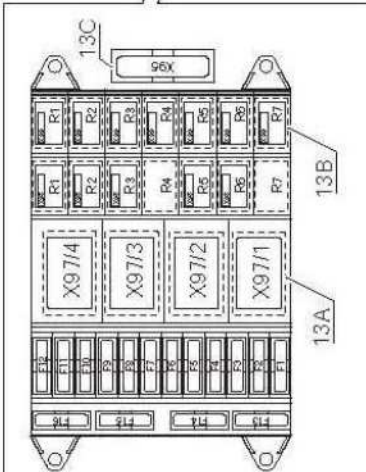
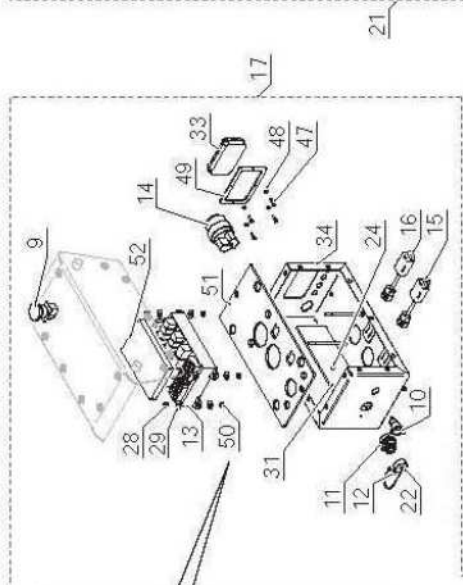
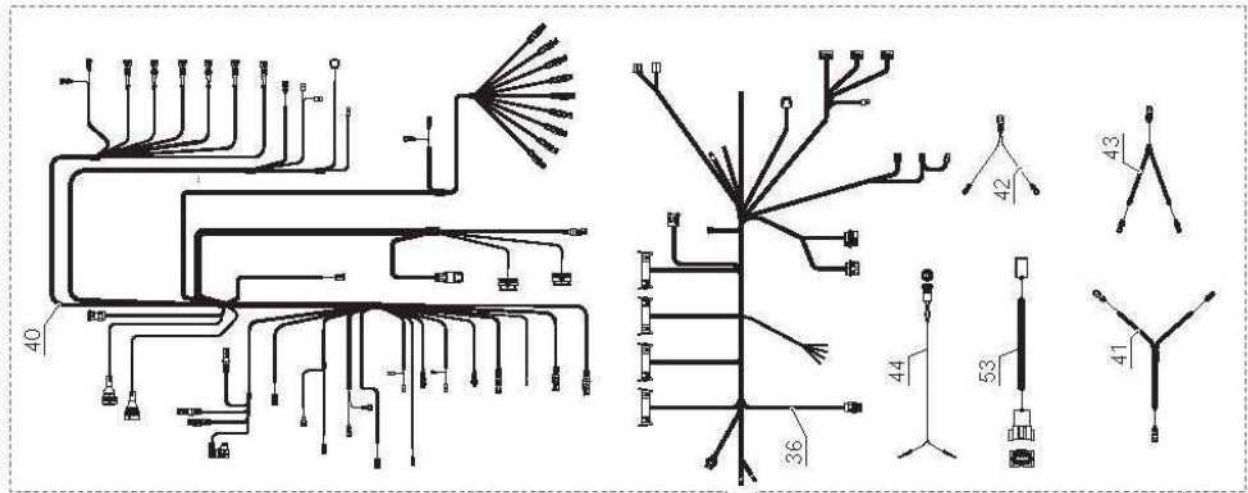


F1	E9 1109 0000 0075	7.5 Amp
F2	E9 1109 0000 0075	7.5 Amp
F3	E9 1109 0000 005A	5 Amp
F4	E9 1109 0000 10A	10 Amp
F5	E9 1109 0000 30A	30 Amp
F6	E9 1109 0000 05A	5 Amp
F7	E9 1109 0000 15A	15 Amp
F8	E9 1109 0000 10A	10 Amp
F9	E9 1109 0000 15A	15 Amp
F10	E9 1109 0000 03A	3 Amp
F11	E9 1109 0000 05A	5 Amp
F12	E9 1109 0000 20A	20 Amp
F13	E9 1109 0000 10A	10 Amp
F14	E9 1109 0000 075	7.5 Amp
F15	E9 1109 0000 03A	3 Amp
F16	E9 1109 0000 040A	40 Amp
X95	E9 1109 0000 040A	40 Amp

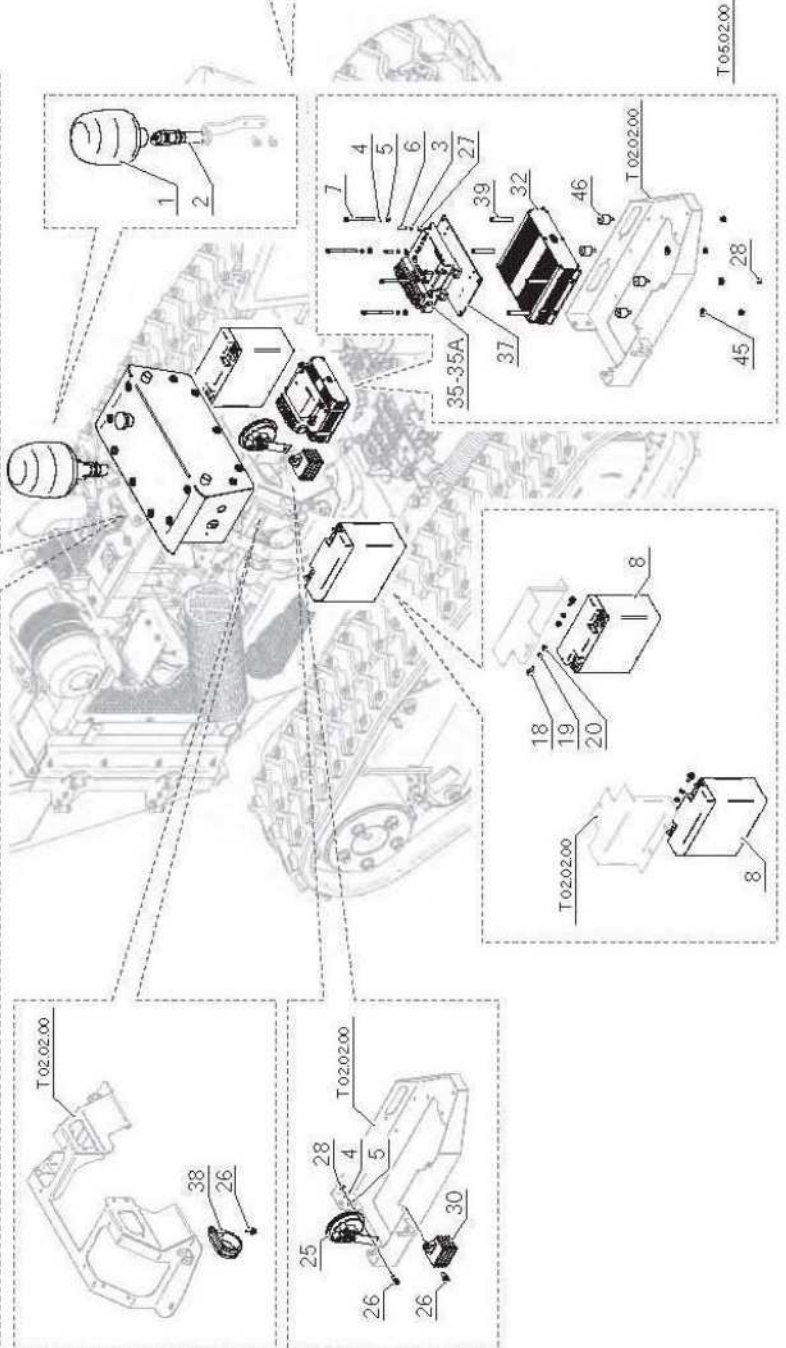


REF.	QTY.	PART No.	DESCRIPTION
			ELECTRICAL COMPONENTS
1	1	4000283	ROTATING LIGHT (BEACON)
2	1	4000284	LIGHT CONNECTION
3	4	4000823	WASHER
4	5	4000544	WASHER
5	5	4000789	WASHER
6	4	4000824	SCREW
7	4	4000452	SCREW
8	2	4000181	BATTERY
9	1	4000306	RED EMERGENCY SWITCH
10	1	4000307	PLUG
11	1	4000308	CONNECTOR
12	2	4000309	SCREW
13	1	4000825	RELAYS FUSE BOX
13a	4	4000302	RELAY WITH DIODE
13b	21	4000303	MICRO RELAY
13c	1	4000311	FUSE
14	1	4000145	IGNITION SWITCH
15	1	4000313	PRE AIR HEATER
16	1	4000326	INJECTION PUMP DELAY
17	1	4000802	ELECTRICAL BOX
18	4	4000316	SCREW
19	4	4000789	WASHER
20	4	4000075	NUT
21	1	4000826	WIRING LOOMS - ELECTRICAL SYSTEM
22	1	4000318	CONNECTOR PLUG
23	1	4000798	WASHER
24	1	4000799	LOCK NUT
25	1	4000301	HORN
26	3	4000316	SCREW
27	4	4000827	WASHER
28	8	4000791	LOCK NUT
29	8	4000321	WASHER
30	1	4000322	SHUNT BOX
31	1	4000828	SOUNDPROOF PROTECTION
32	1	4000829	CONTROL UNIT
33	1	4000830	INDICATOR
34	1	4000831	BOX PROTECTION
35	1	4000729	RECEIVER UNIT (870 MHZ)
35A	1	4000730	RECEIVER UNIT (915 MHZ)
36	1	4000833	WIRING LOOM - CONTROL UNIT
37	1	4000834	SUPPORT RECEIVER
38	1	4000835	CLIP
39	4	4000836	DISTANCE PIECE
40	1	4000837	WIRING LOOM - CHASSIS LINE

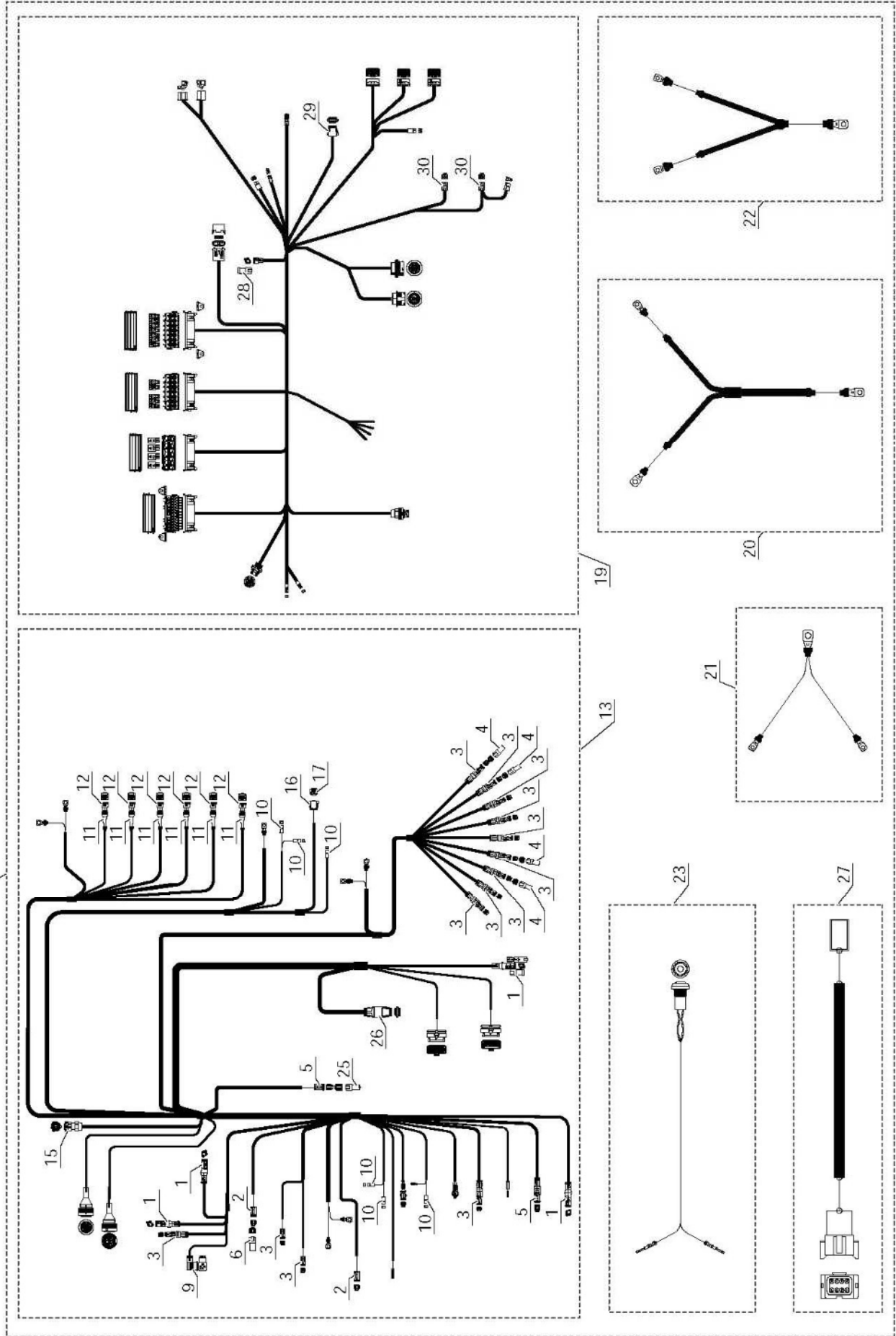
Continued...



F1	E911090000075	7.5 Amp
F2	E911090000075	7.5 Amp
F3	E91109000005A	5 Amp
F4	E91109000010A	10 Amp
F5	E91109000030A	30 Amp
F6	E91109000005A	5 Amp
F7	E91109000015A	15 Amp
F8	E91109000010A	10 Amp
F9	E91109000015A	15 Amp
F10	E91109000003A	3 Amp
F11	E91109000005A	5 Amp
F12		
F13	E91109000020A	20 Amp
F14	E91109000010A	10 Amp
F15	E911090000075	7.5 Amp
F16	E91109000003A	3 Amp
X95	E91109000040A	40 Amp

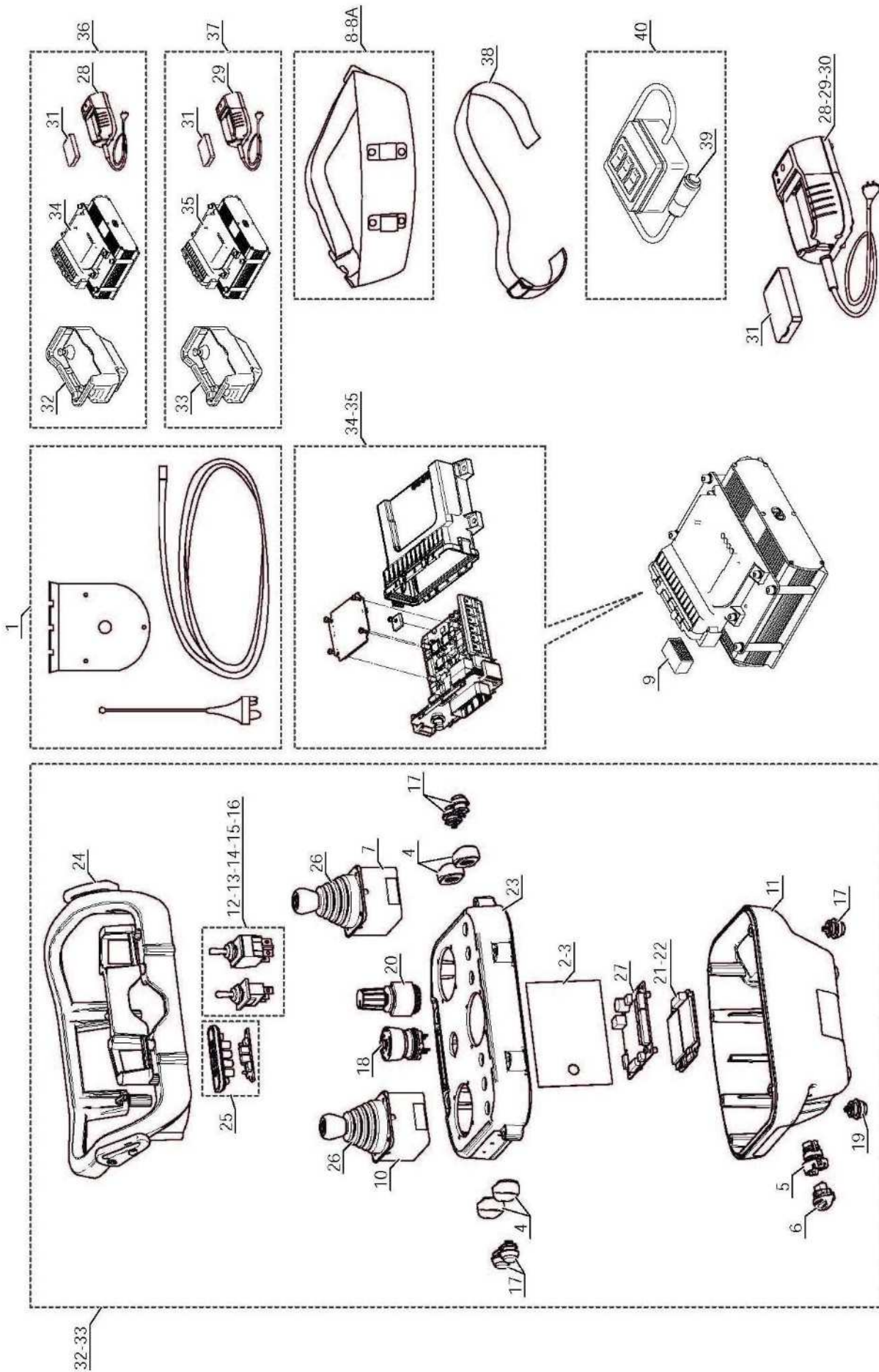


REF.	QTY.	PART No.	DESCRIPTION
			ELECTRICAL COMPONENTS (Continued)
41	1	4000329	BATTERY CABLE - POSITIVE (+)
42	1	4000330	BATTERY CABLE - NEGATIVE (-)
43	1	4000331	STARTER MOTOR/ALTERNATOR POWER LINE
44	1	4000838	SWITCH
45	4	4000114	WASHER
46	4	4000839	ANTI-VIBRATION
47	4	4000840	SCREW
48	4	4000841	NUT
49	1	4000842	DISPLAY FASTENING
50	4	4000841	NUT
51	1	4000843	SOUNDPROOF BOX PROTECTION
52	1	4000844	INNER SOUNDPROOF BOX PROTECTION
53	1	4000847	REMOTE CONTROL LINE

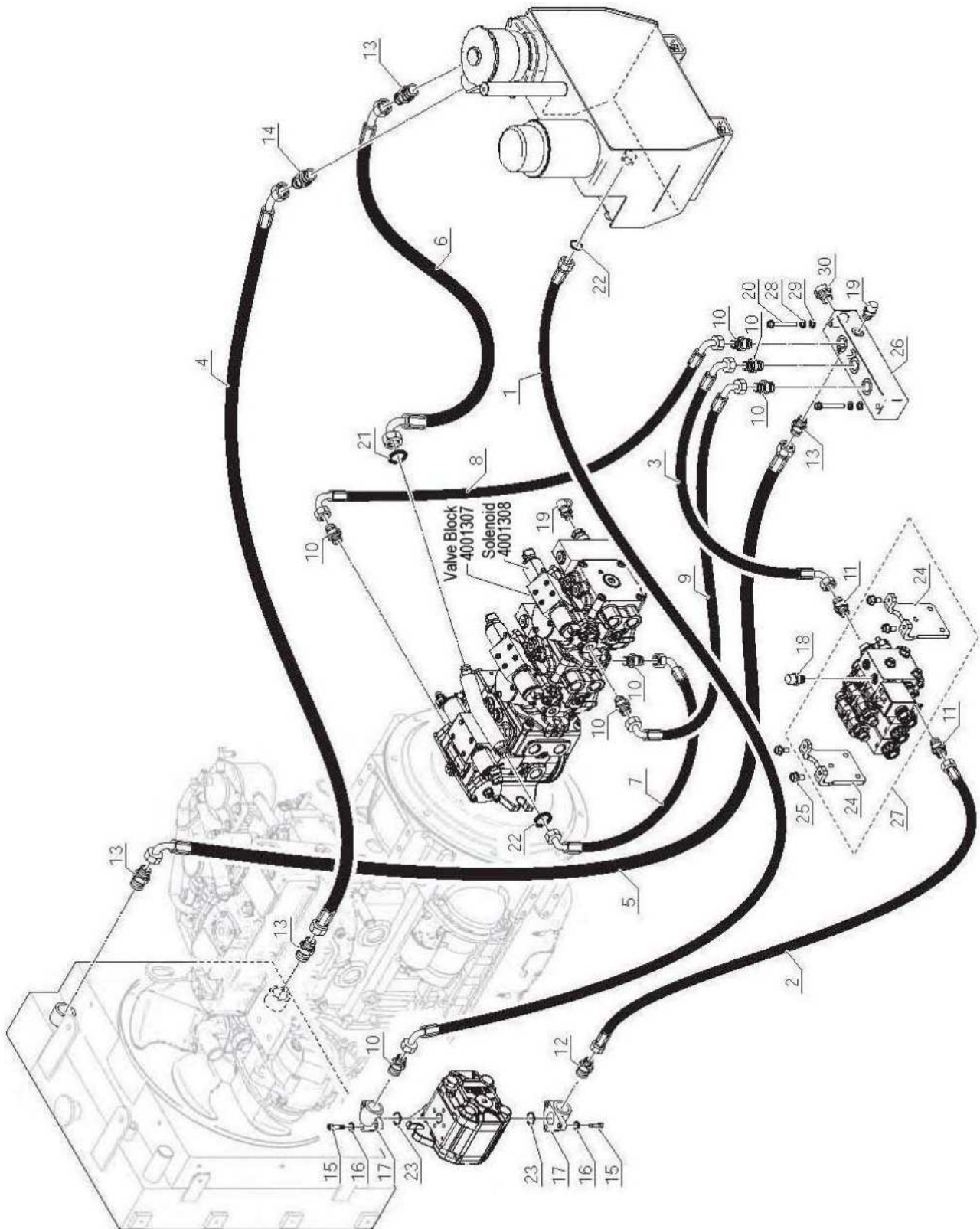


REF.	QTY.	PART No.	DESCRIPTION
			ELECTRICAL WIRING
1	4	4000477	CONNECTOR
2	2	4000478	CONNECTOR
3	11	4000479	CONNECTOR
4	2	4000480	CONNECTOR
5	1	4000481	CONNECTOR
6	1	4000482	CONNECTOR
7	1	4000483	CONNECTOR
8	2	4000484	CONNECTOR
9	1	4000485	CONNECTOR
10	5	4000486	CONNECTOR
11	7	4000487	RUBBER CABLE SLEEVE
12	7	4000337	CONNECTOR
13	1	4000837	WIRING LOOM - CHASSIS LINE
14	2	4000488	CONNECTOR
15	1	4000489	CONNECTOR
16	1	4000490	CONNECTOR
17	1	4000491	RUBBER COVER
18	2	4000492	CONNECTOR
19	1	4000833	WIRING LOOM - CONTROL UNIT
20	1	4000329	BATTERY CABLE - POSITIVE (+)
21	1	4000330	BATTERY CABLE - NEGATIVE (-)
22	1	4000331	STARTER MOTOR/ALTERNATOR POWER LINE
23	1	4000838	SWITCH
24	1	4000826	WIRING LOOMS - ELECTRICAL SYSTEM
25	1	4000845	CONNECTOR
26	1	4000846	CONNECTOR
27	1	4000847	REMOTE CONTROL LINE
28	1	4000477	CONNECTOR
29	1	4000846	CONNECTOR
30	1	4000848	CONNECTOR

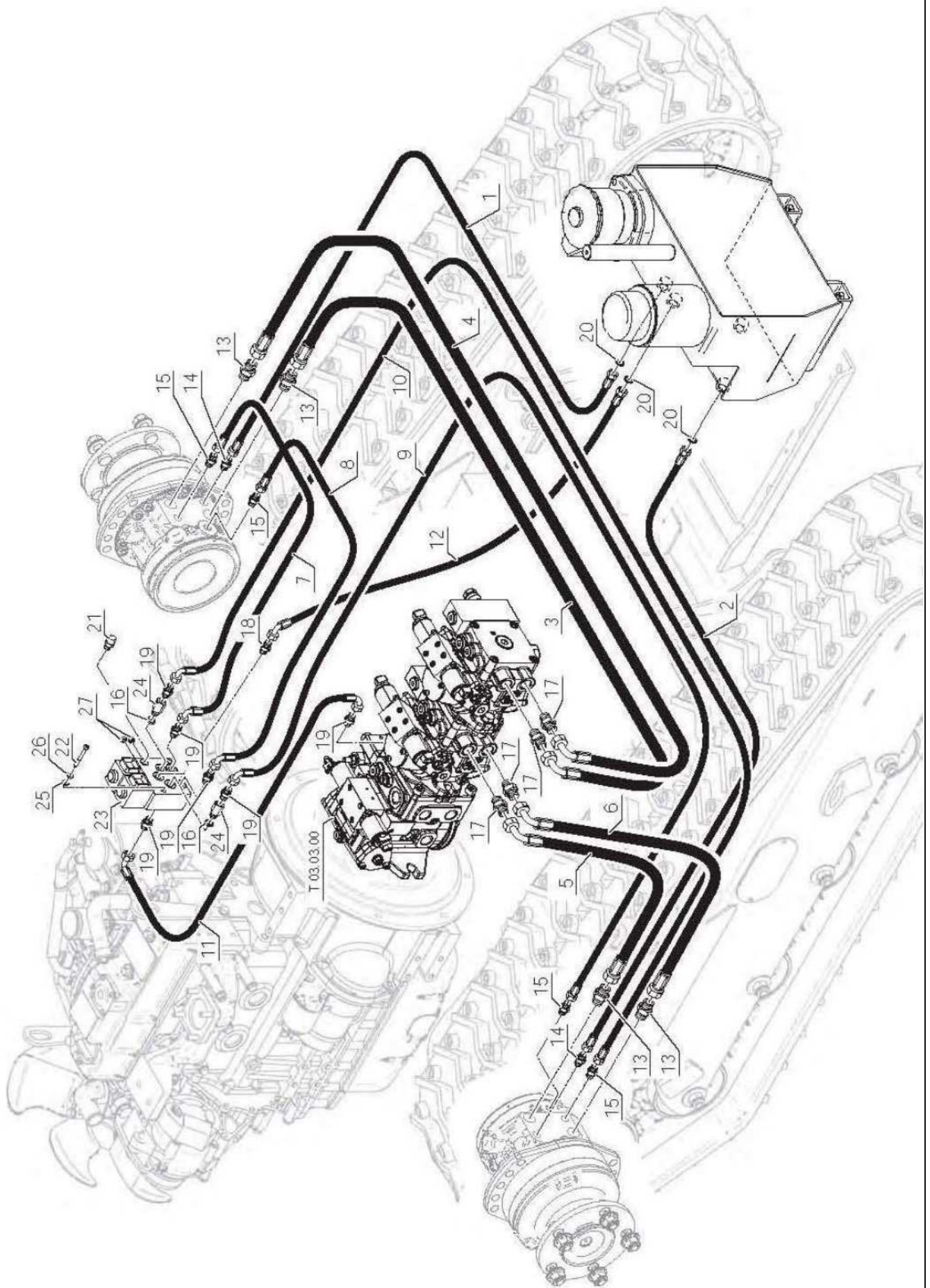
ROBOCUT



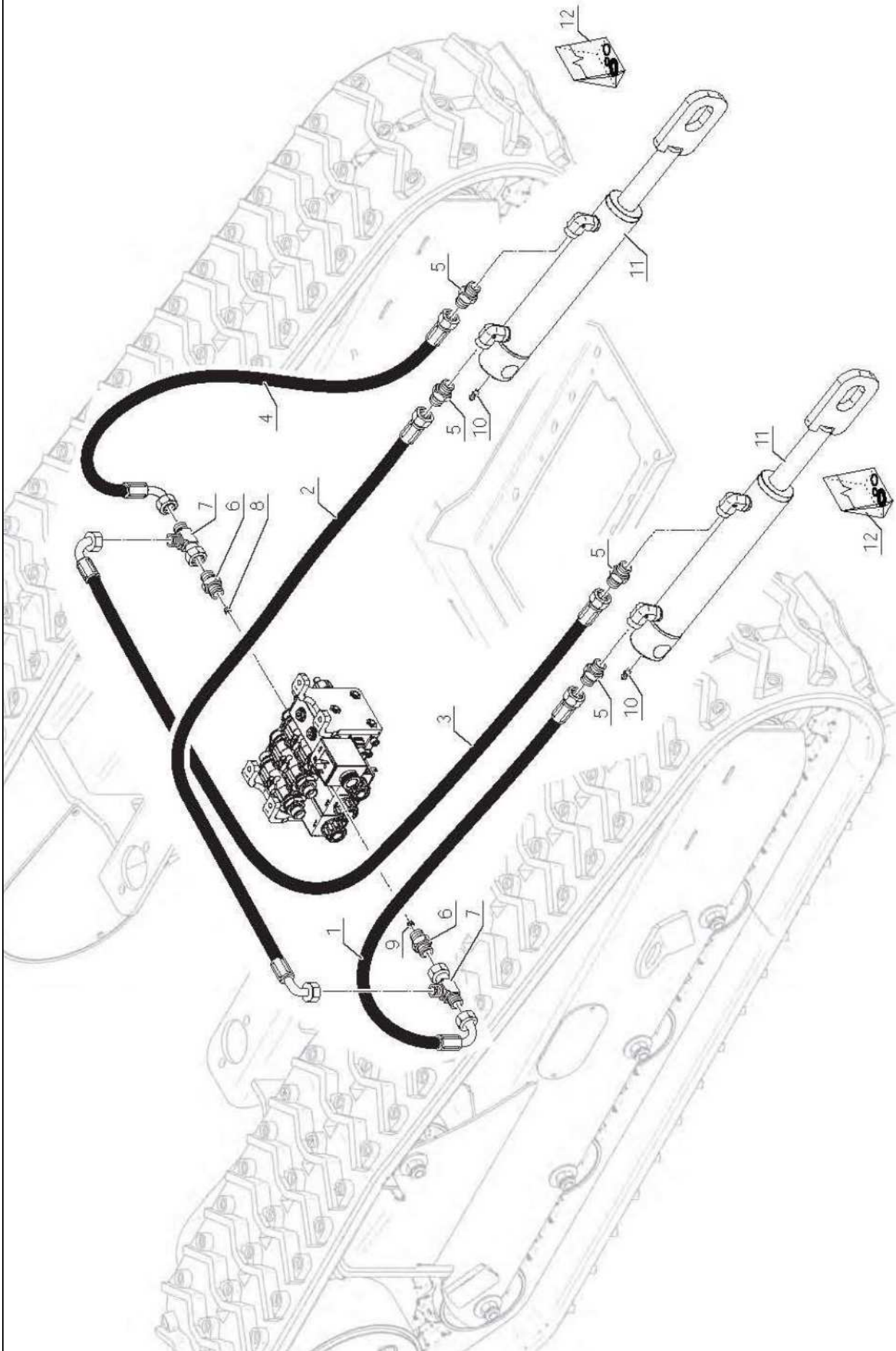
REF.	QTY.	PART No.	DESCRIPTION
			CONTROL TRANSMITTING/RECEIVING UNITS
1	1	4000282	AERIAL (ANTENNA)
2	1	4000494	ANTENNA (EUR)
3	1	4000495	ANTENNA (USA)
4	4	4000717	SWITCH COVER
5	1	4000718	START KEY CONNECTOR KIT
6	1	4000349	START KEY
7	1	4000719	PROPORTIONAL JOYSTICK (SINGLE AXIS)
8	1	4000500	WAIST BELT
	1	4000501	WAIST BELT XXL (Optional)
9	1	4000502	SOCKET
10	1	4000503	PROPORTIONAL JOYSTICK (DUAL AXIS)
11	1	4000720	<i>i</i> LOWER CONTROL UNIT (<i>Requires Serial No. of R/C</i>)
12	1	4000721	TOGGLE SWITCH (ON)-OFF-(ON)
13	1	4000722	TOGGLE SWITCH ON-OFF-(ON)
14	1	4000723	TOGGLE SWITCH ON-(ON)
15	2	4000724	TOGGLE SWITCH (ON)-ON
16	1	4000725	TOGGLE SWITCH ON-OFF-ON
17	5	4000510	PUSH-BUTTON (BLACK)
18	1	4000511	STOP PUSH-BUTTON
19	1	4000512	PUSH-BUTTON (GREEN)
20	2	4000513	POTENTIOMETRIC SELECTOR
21	1	4000514	RADIO MODULE (EUR)
22	1	4000515	RADIO MODULE (USA)
23	1	4000726	<i>i</i> UPPER CONTROL UNIT (<i>Requires Serial No. of R/C</i>)
24	1	4000727	CONTROL UNIT FRAME
25	1	4000518	KIT CARD (4 LEDS)
26	1	4000519	JOYSTICK GAITOR
27	1	4000525	<i>i</i> CODER CARD (<i>Requires Serial No. of R/C</i>)
28	1	4000526	BATTERY CHARGER 80-250V - USA
29	1	4000293	BATTERY CHARGER - EUR
30	1	4000728	BATTERY CHARGER 110V - USA
31	1	4000270	REMOTE CONTROL BATTERY
32	1	4000273	TRANSMITTER (EUR)
33	1	4000528	TRANSMITTER (USA - AUS)
34	1	4000729	RECEIVER UNIT 870MHZ / TRANSMITTER KEY
35	1	4000730	RECEIVER UNIT 915MHZ / TRANSMITTER KEY
36	1	4000731	REMOTE CONTROL KIT (870MHZ)
37	1	4000732	REMOTE CONTROL KIT (915MHZ)
38	1	4000733	SHOULDER BELT
39	1	4000734	CONNECTOR
40	1	4000527	MANUAL CONTROLLER



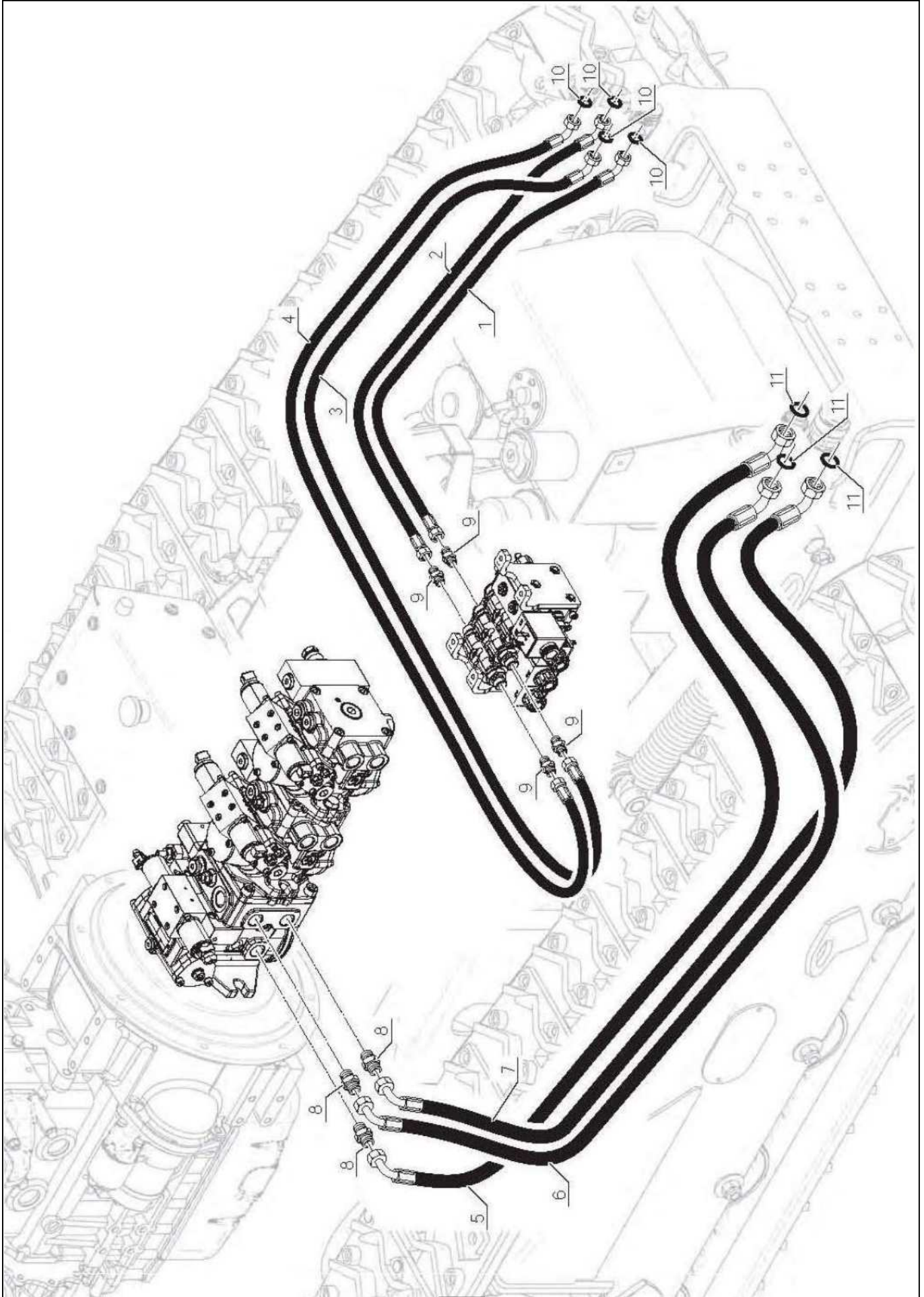
REF.	QTY.	PART No.	DESCRIPTION
			INTAKE & DRAIN PUMPS
1	1	4000533	HYDRAULIC HOSE
2	1	4000534	HYDRAULIC HOSE
3	1	4000535	HYDRAULIC HOSE
4	1	4000536	HYDRAULIC HOSE
5	1	4000537	HYDRAULIC HOSE
6	1	4000538	HYDRAULIC HOSE
7	1	4000539	HYDRAULIC HOSE
8	1	4000540	HYDRAULIC HOSE
9	1	4000541	HYDRAULIC HOSE
10	7	7315797	CONNECTOR
11	2	7315777	CONNECTOR
12	1	7315775	CONNECTOR
13	4	7315774	CONNECTOR
14	1	4000542	CONNECTOR
15	6	4000543	CYLINDRIC HEAD SCREW
16	6	4000544	SPRING WASHER
17	2	4000545	PUMP CONNECTION
18	1	4000546	CHECK COUPLING
19	2	7315769	CHECK COUPLING
20	2	4000547	HEX HEAD SCREW
21	1	4000548	O RING
22	2	4000549	O RING
23	2	4000550	O RING
24	2	4000551	VALVE BLOCK BRACKET
25	8	4000353	FLANGED HEAD SCREW
26	1	4000552	OIL MANIFOLD
27	1	4000553	VALVE BLOCK
28	2	9100204	SPRING WASHER
29	2	9100104	FLAT WASHER
30	1	4000864	PLUG



REF.	QTY.	PART No.	DESCRIPTION
			TRACK HYDRAULIC CIRCUIT
1	1	4000564	HYDRAULIC HOSE
2	1	4000565	HYDRAULIC HOSE
3	1	4000566	HYDRAULIC HOSE
4	1	4000567	HYDRAULIC HOSE
5	1	4000568	HYDRAULIC HOSE
6	1	4000569	HYDRAULIC HOSE
7	1	4000570	HYDRAULIC HOSE
8	1	4000571	HYDRAULIC HOSE
9	1	4000572	HYDRAULIC HOSE
10	1	4000573	HYDRAULIC HOSE
11	1	4000574	HYDRAULIC HOSE
12	1	4000575	HYDRAULIC HOSE
13	4	4000576	CONNECTOR
14	2	4000577	CONNECTOR
15	4	4000578	CONNECTOR
16	2	8650102	BONDED SEAL
17	4	7315775	CONNECTOR
18	1	4000560	CONNECTOR
19	5	4000579	CONNECTOR
20	3	4000549	O RING
21	1	4000546	CHECK COUPLING
22	2	4000580	CYLINDRIC HEAD SCREW
23	1	4000522	SPEED-BRAKE VALVE
24	1	4000581	HEXAGON SPACER
25	2	4000544	SPRING WASHER
26	2	9100103	WASHER
27	2	4000582	PLUG



REF.	QTY.	PART No.	DESCRIPTION
			HYDRAULIC RAMS CIRCUIT
1	1	4000583	HYDRAULIC HOSE
2	1	4000584	HYDRAULIC HOSE
3	1	4000585	HYDRAULIC HOSE
4	1	4000586	HYDRAULIC HOSE
5	4	4000579	CONNECTOR
6	2	4000587	CONNECTOR
7	2	4000588	TEE FITTING
8	1	4000882	RESTRICTOR
9	1	4000697	RESTRICTOR
10	2	4000368	GREASE NIPPLE
11	2	4000101	HYDRAULIC RAM
12	2	4000883	RAM SEAL KIT

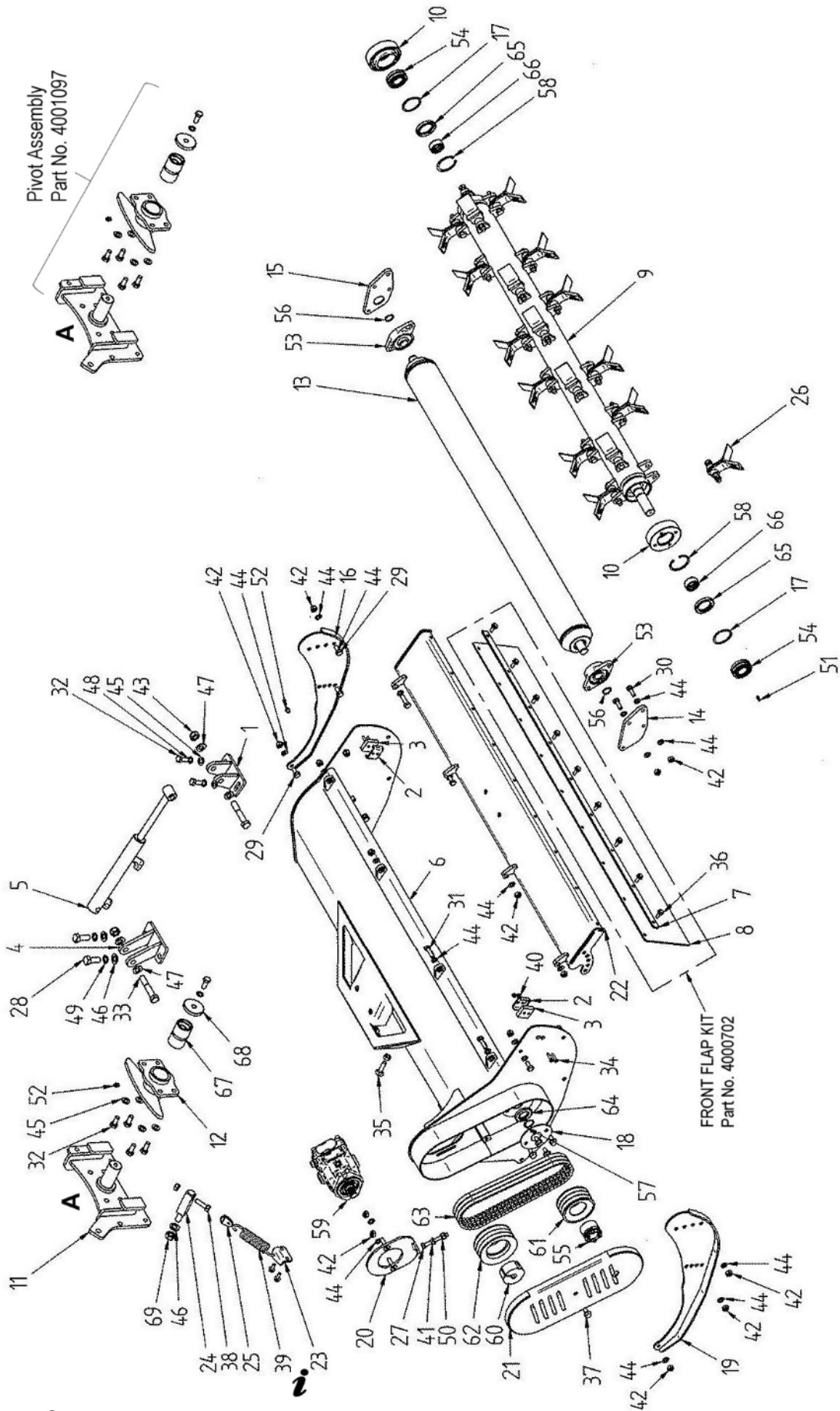


REF.	QTY.	PART No.	DESCRIPTION
			HYDRAULIC EQUIPMENT CIRCUIT
1	1	4000589	HYDRAULIC HOSE
2	1	4000590	HYDRAULIC HOSE
3	1	4000591	HYDRAULIC HOSE
4	1	4000592	HYDRAULIC HOSE
5	1	4000593	HYDRAULIC HOSE
6	1	4000594	HYDRAULIC HOSE
7	1	4000595	HYDRAULIC HOSE
8	3	7315797	CONNECTOR
9	4	4000587	CONNECTOR
10	4	4000596	O RING
11	3	4000549	O RING

FLAILHEAD ASSEMBLY

McCONEL

ROBOCUT



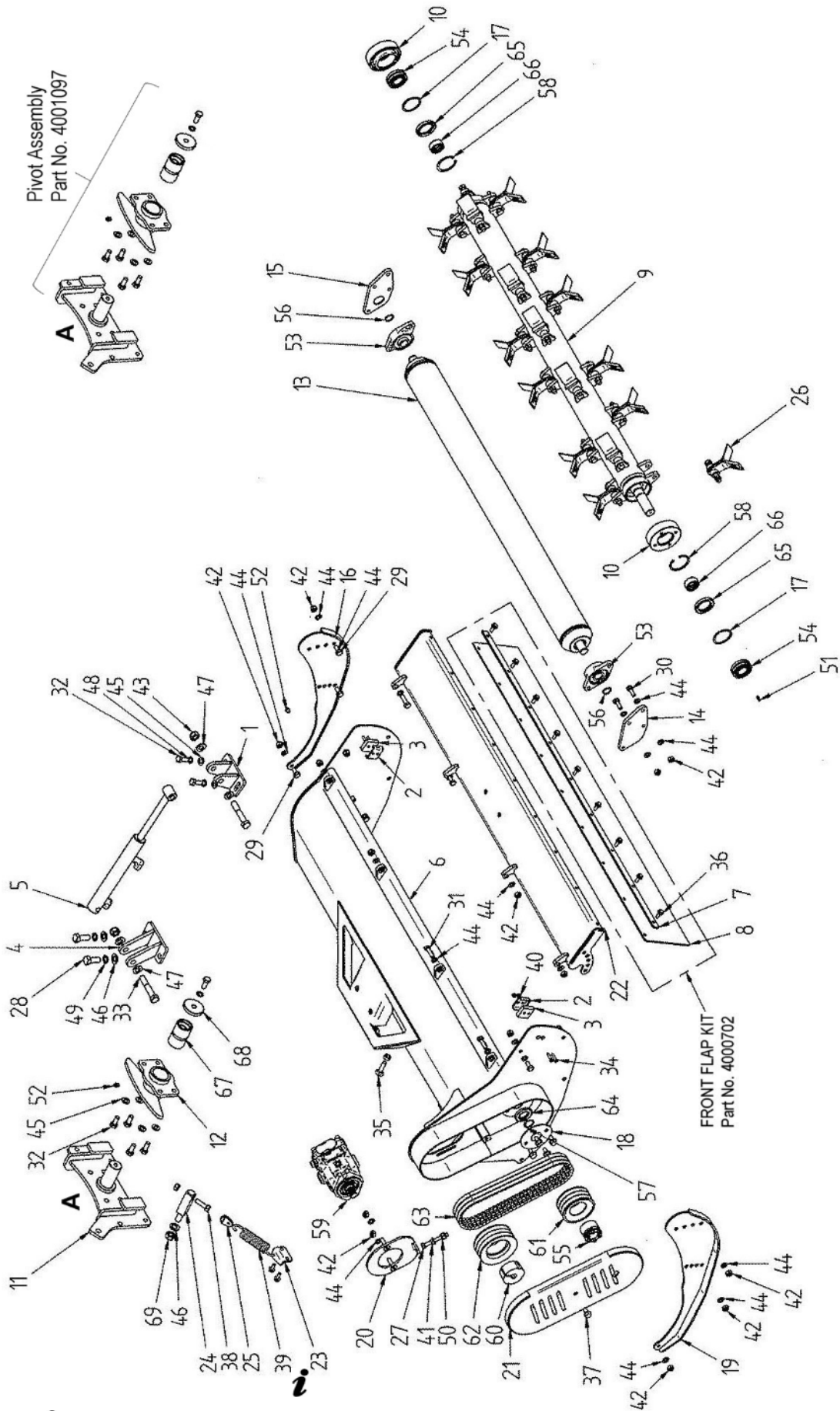
REF.	QTY.	PART No.	DESCRIPTION
			FLAILHEAD ASSEMBLY
1	1	4000182	CYLINDER FIXING STIRRUP
2	2	4000184	STOP BRACKET
3	2	4000183	RUBBER STOP
4	1	4000185	RAM BRACKET
5	1	4000186	HYDRAULIC RAM
6	1	4000187	HEAD CASING (1.3m)
7	1	4000188	CLAMP STRIP
8	1	4000189	RUBBER FLAP
9	1	4000190	ROTOR (1.3m)
10	2	4000191	ROTOR BEARING SUPPORT
11	1	4000192	HEAD PIVOT BRACKET
12	1	4000193	PIVOT JOINT
13	1	4000194	ROLLER
14	1	4000195	ROLLER BRACKET - R/H
15	1	4000196	ROLLER BRACKET - L/H
16	1	4000197	LEFT SKID
17	2	4000198	WASHER
18	1	4000199	PLATE
19	1	4000200	RIGHT SKID
20	1	4000201	MOTOR MOUNTING PLATE
21	1	4000202	BELT COVER
22	1	4000203	FRONT HOOD (<i>Builds to S/N ROBO071300390</i>)
	1	4001257	FRONT HOOD (<i>Builds from S/N ROBO071300391</i>)
23	1	4000204	i SPRING BRACKET (Fits Spring 4000219 only)
	1	4000338	i SPRING BRACKET (Fits Springs 4000219 & 4000749)
24	1	4000205	SPRING TENSIONER FIXING
25	1	4000206	SPRING TENSIONER
26	1	4000255	Y-FLAILS KIT (SINGLE STATION)
	1	4000268	Y-FLAILS KIT (22 STATION)
27	1	4000208	SCREW
28	1	4000252	SCREW
29	2	4000209	SCREW
30	1	4000210	SCREW
31	1	4000211	SCREW
32	2	4000212	SCREW
33	1	4000213	SCREW
34	1	4000214	SCREW
35	1	4000215	SCREW
36	1	4000216	SCREW
37	1	4000217	SCREW
38	1	4000218	NUT

i When replacing the now obsolete early type Spring 4000219 with the later type Spring 4000749 the early type Bracket 4000204 must also be replaced with later type bracket 4000338.

FLAILHEAD ASSEMBLY

McCONEL

ROBOCUT

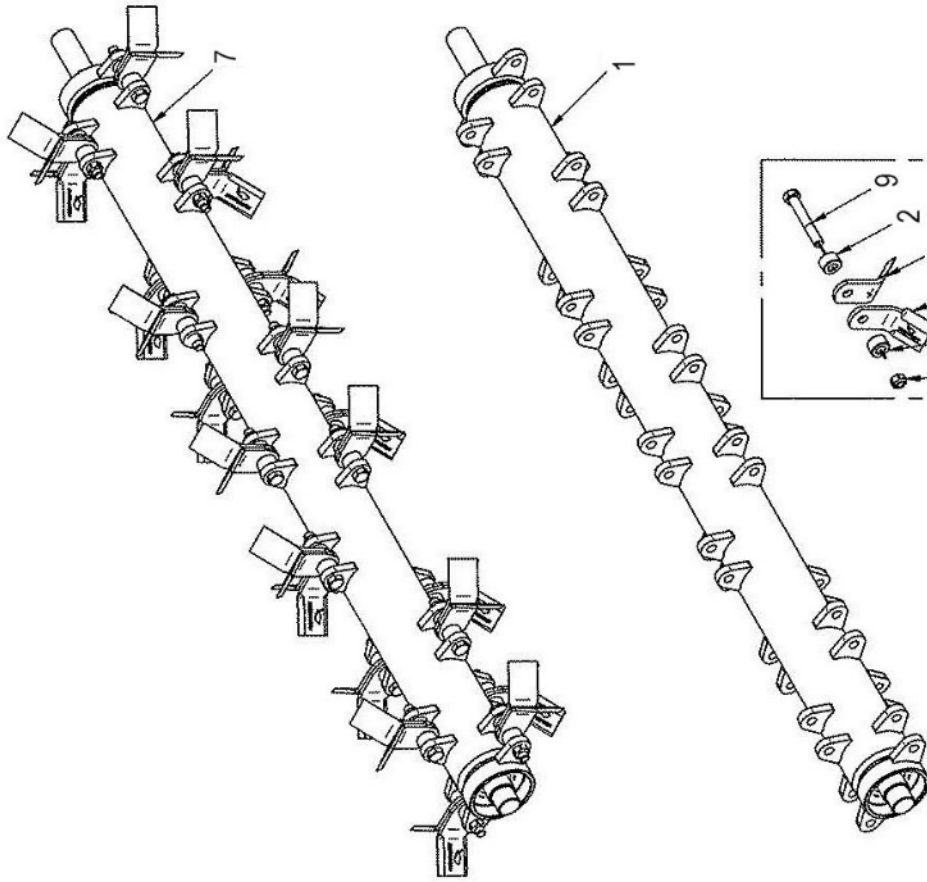


i Items # 23 & 39 refer to notes in parts list important information on these components

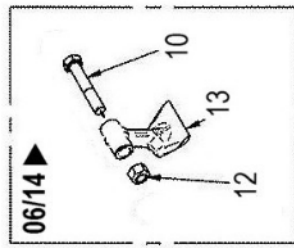
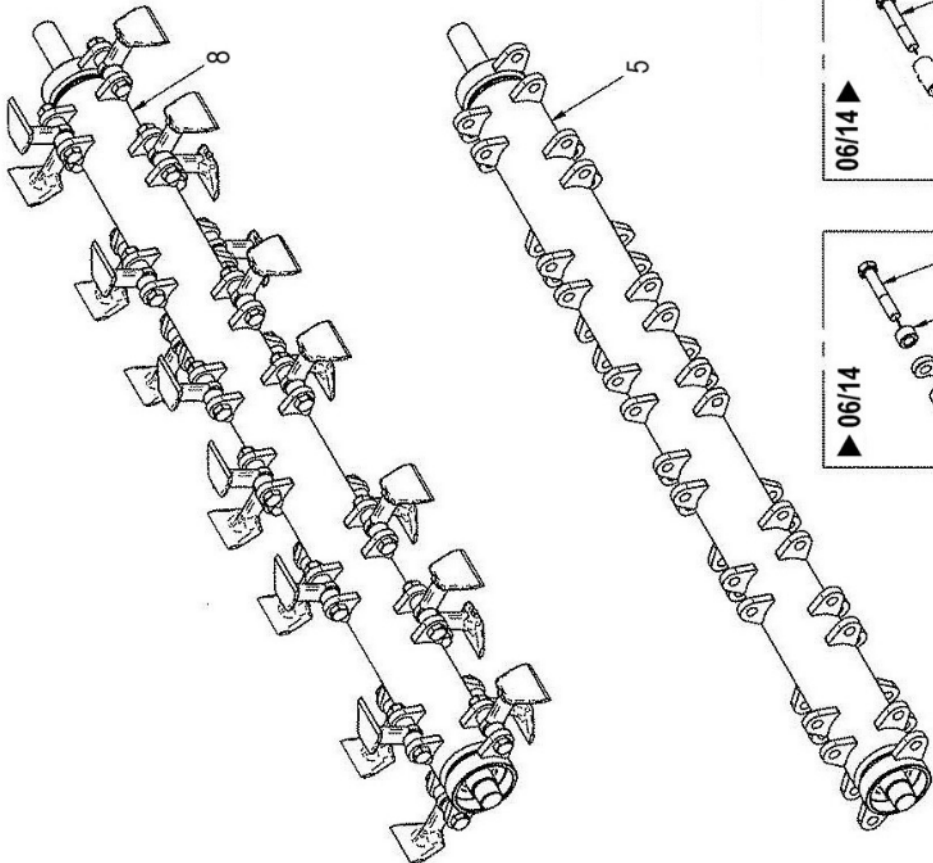
REF.	QTY.	PART No.	DESCRIPTION
			FLAILHEAD ASSEMBLY
39	1	4000219	<i>i</i> SPRING (Item now obsolete use Spring 4000749)
	1	4000749	<i>i</i> SPRING (Not compatible with Spring Bracket 4000204)
40	1	9163003	LOCK NUT
41	1	4000220	FLANGED NUT
42	8	9163005	LOCK NUT
43	1	4000221	LOCK NUT
44	11	9100105	WASHER
45	2	9100106	WASHER
46	2	4000253	WASHER
47	2	4000222	WASHER
48	1	9100206	SPRING WASHER
49	1	4000254	WASHER
50	1	9100105	WASHER
51	1	4000223	GREASER
52	2	4000224	GREASER
53	2	4000225	BEARING
54	2	4000226	ROLLER BEARING
55	1	4000227	TAPERLOCK BUSH
56	2	4000023	CIRCLIP
57	1	4000228	RETAINING RING
58	2	4000024	CIRCLIP
59	1	4000229	MOTOR
60	1	4000230	CONICAL BUSH
61	1	4000231	PULLEY
62	1	4000232	PULLEY
63	3	4000233	TRAPEZOIDAL TOOTHED BELT
64	1	4000234	OILSEAL
65	2	4000235	OIL SEAL
66	2	4000236	GUIDE FOR OIL SEAL
67	1	4000237	BUSH
68	1	4000238	WASHER
69	1	4000757	LOCK NUT

i When replacing the now obsolete early type Spring 4000219 with the later type Spring 4000749 the early type Bracket 4000204 must also be replaced with later type bracket 4000338.

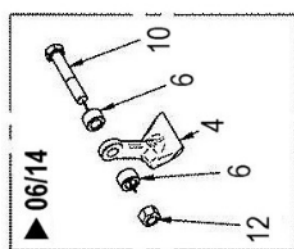
4000716**SEAL KIT FOR MOTOR 4000229**



Part No. 4000255
Y-FLAILS KIT (6mm)
(Single Station)



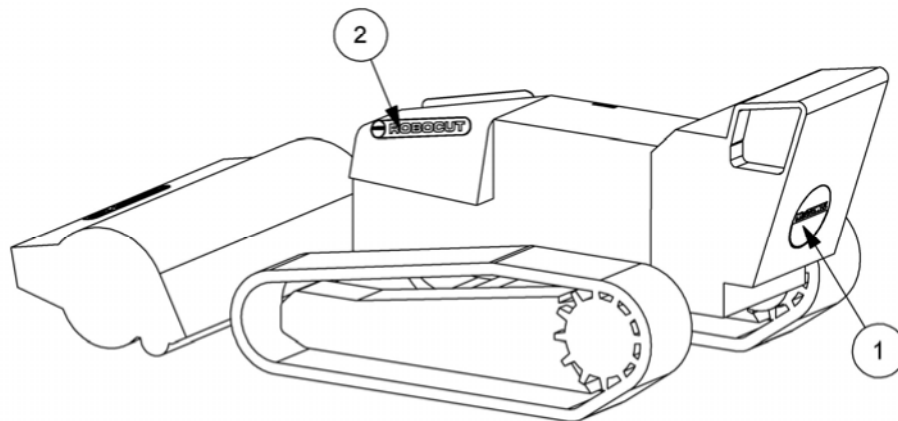
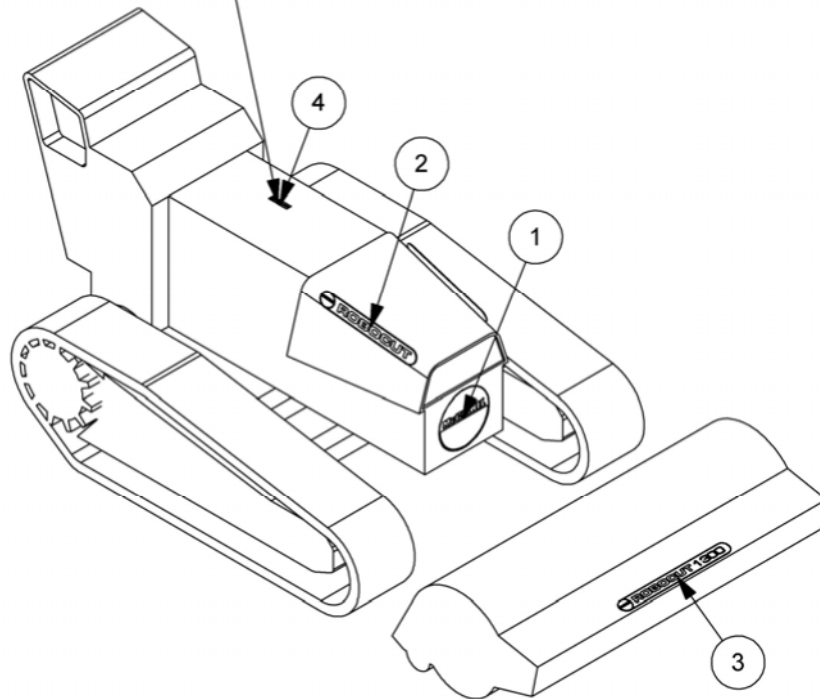
Part No. 4001092
HAMMER FLAIL KIT
(Single Station)



Part No. 4000256
HAMMER FLAIL KIT
(Single Station)

REF.	QTY.	PART No.	DESCRIPTION
ROTORS & FLAILS ASSEMBLY			
1	1	4000190	1.3M ROTOR (Y-FLAILS TYPE)
2	2	4000241	STEEL BUSHING
3	2	4000242	Y-FLAIL (6mm)
4	1	4000243	HAMMER FLAIL (Early Type) ► 06/14
5	1	4000244	1.3M ROTOR (HAMMER FLAIL TYPE)
6	2	4000245	BUSHING
7	1	4000703	1.3M ROTOR C/W Y-FLAILS
8	1	4000704	1.3M ROTOR C/W HAMMER FLAILS
9	2	4000246	SCREW
10	1	4000247	SCREW
11	2	4000248	AUTOGRIP NUT
12	1	4000249	AUTOGRIP NUT
13	1	4001091	HAMMER FLAIL (Later type) 06/14 ►
SINGLE STATION FLAIL KITS			
	1	4000255	Y-FLAILS KIT (6mm Flail)
	1	4000256	HAMMER FLAIL KIT (Flail 4000243) ► 06/14
	1	4001092	HAMMER FLAIL KIT (Flail 4001091) 06/14 ►
22 STATION FLAIL KIT			
	1	4000268	Y-FLAILS KIT (6mm Flail)

ROBOCUT
OVERLAY FOR
CONTROL BOX



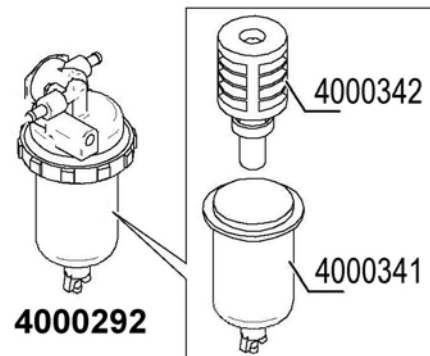
REF.	QTY.	PART No.	DESCRIPTION
		4000700	ROBOCUT DECAL KIT
1	2	1290829	DECAL - MCCONNEL ROUNDEL
2	2	1290954	DECAL - ROBOCUT
3	1	1290955	DECAL - ROBOCUT 1300
4	1	1290956	DECAL - ROBOCUT (OVERLAY)



FUEL FILTER
(Part No. 4000105)



OIL FILTER
(Part No. 4000257)



PRIMARY FUEL FILTER



Fitted to Early Models
HYDRAULIC OIL FILTER CARTRIDGE (Part No. 4000258)

Fitted to Later Models
HYDRAULIC OIL FILTER CARTRIDGE (Part No. 4000259)



PRIMARY AIR FILTER CARTRIDGE (Part No. 4000260)



SECURITY AIR FILTER CARTRIDGE (Part No. 4000261)



McConnel Limited, Temeside Works, Ludlow, Shropshire SY8 1JL. England.
Telephone: 01584 873131. Facsimile: 01584 876463. www.mcconnel.com