

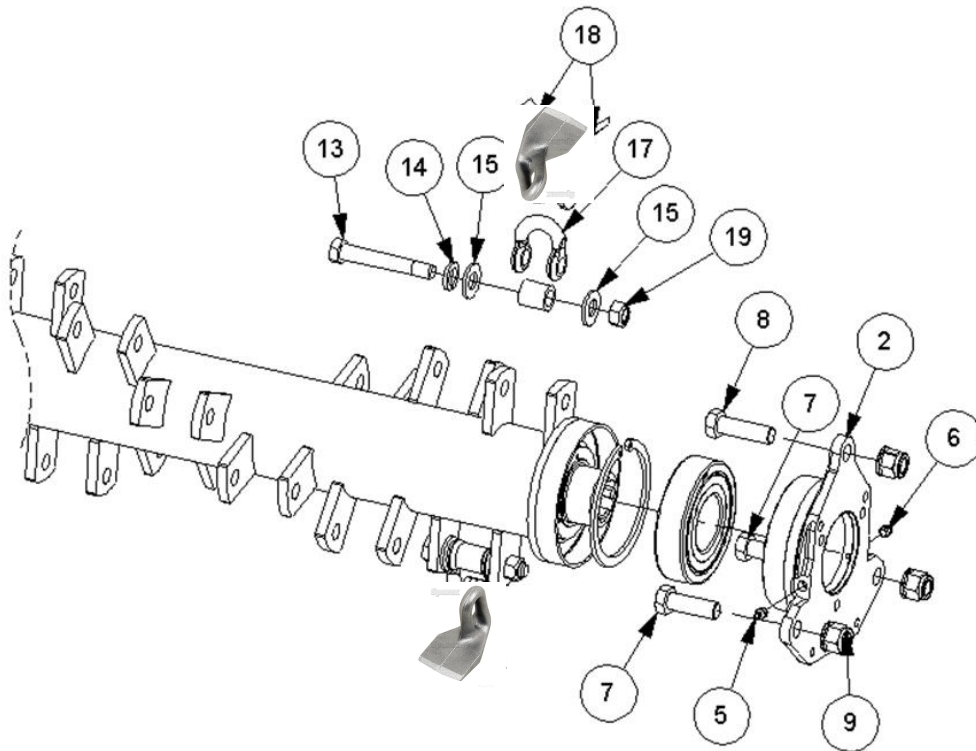
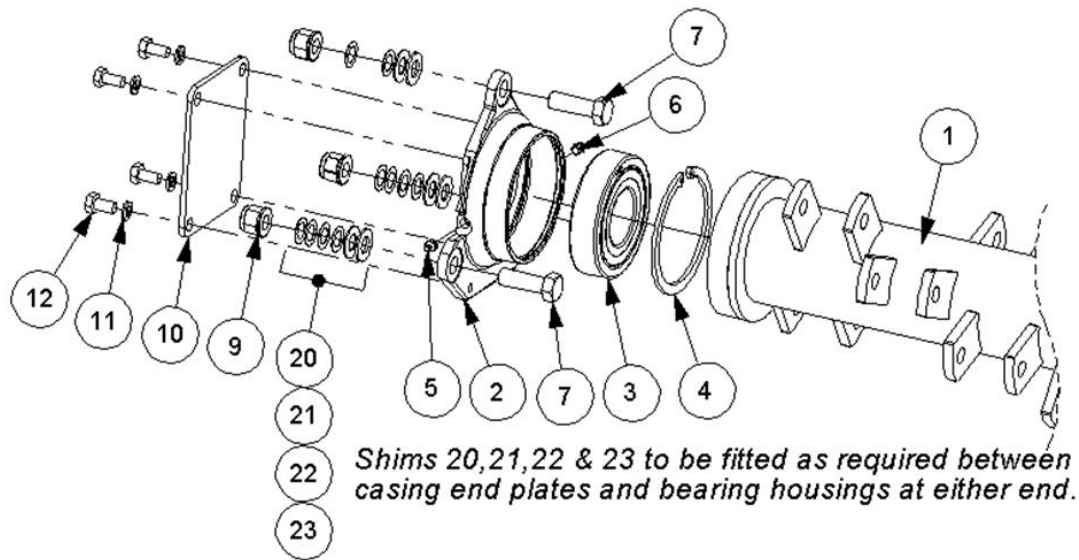
PARTS MANUAL

FOR

SERIAL NO: M2272046

PRINTED ON 14 FEB 2023

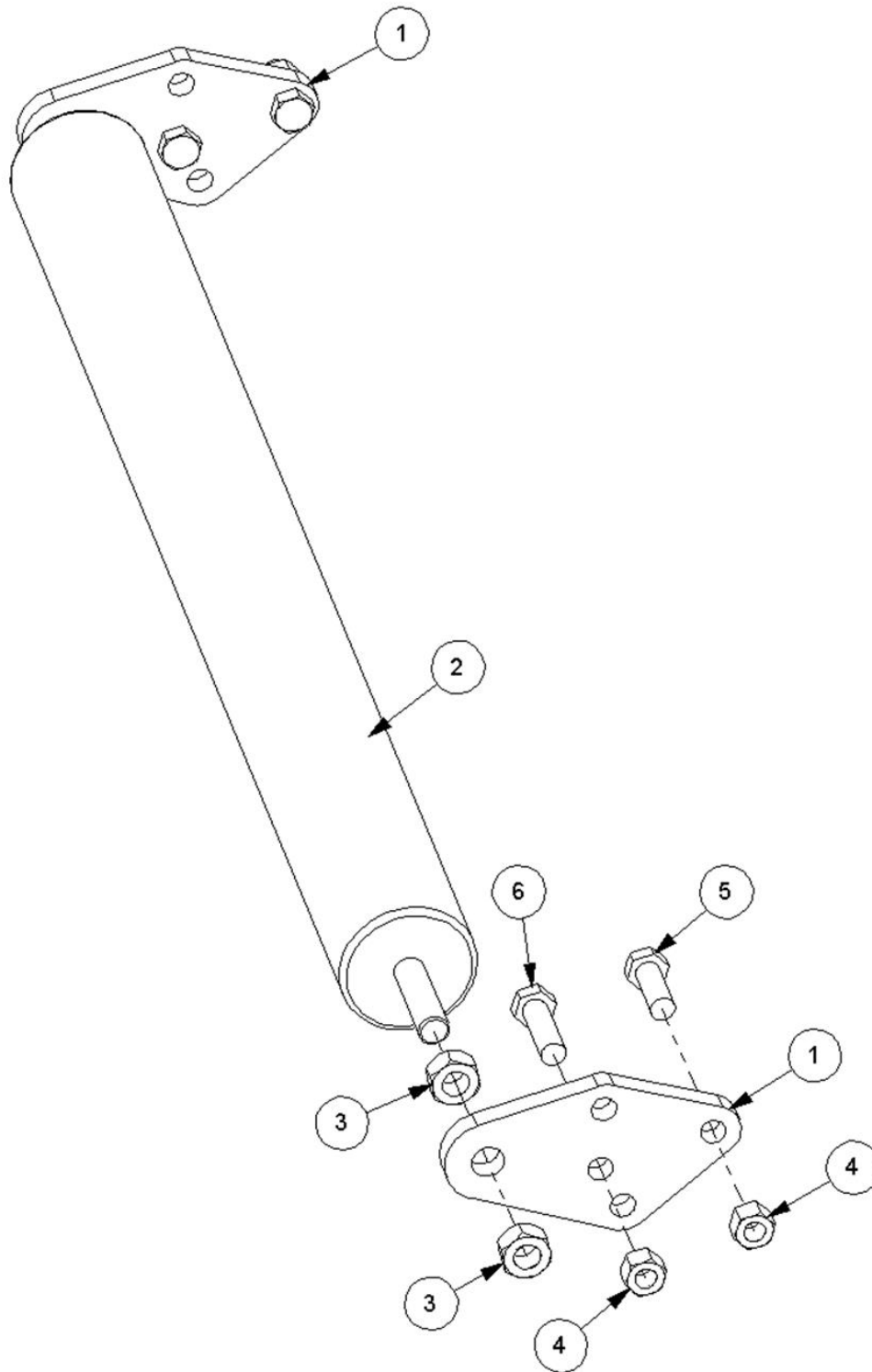
21959.02 - ROTOR MODULE



Ref	Part No	Description	QTY
1	7198345	ROTOR-SUPERCUT 1.0M DID/DR	1
2	7190261	BEARING HOUSING	2
3	0600018	BEARING - ROTOR	2
4	7190022	CIRCLIP	2
5	0901121	GREASER	2
6	0901125	GREASER	2
7	9200025	BOLT	5
8	9200023	BOLT	1
9	9100024	NUT	6

Ref	Part No	Description	QTY
10	7190444	PLATE	1
11	9100205	WASHER	4
12	9313045	SCREW	4
13	05.775.10	BOLT	20
14	9100207	WASHER	20
15	05.281.04	WASHER	40
16	02.807.01	SPACER	20
17	05.895.01	SHACKLE	20
18	7190462	FLAIL	40
19	05.968.06	NUT	20
20	7191098	SHIM	3
21	7191099	SHIM	3
22	8121043	SPACER	5
23	8121044	SPACER	5

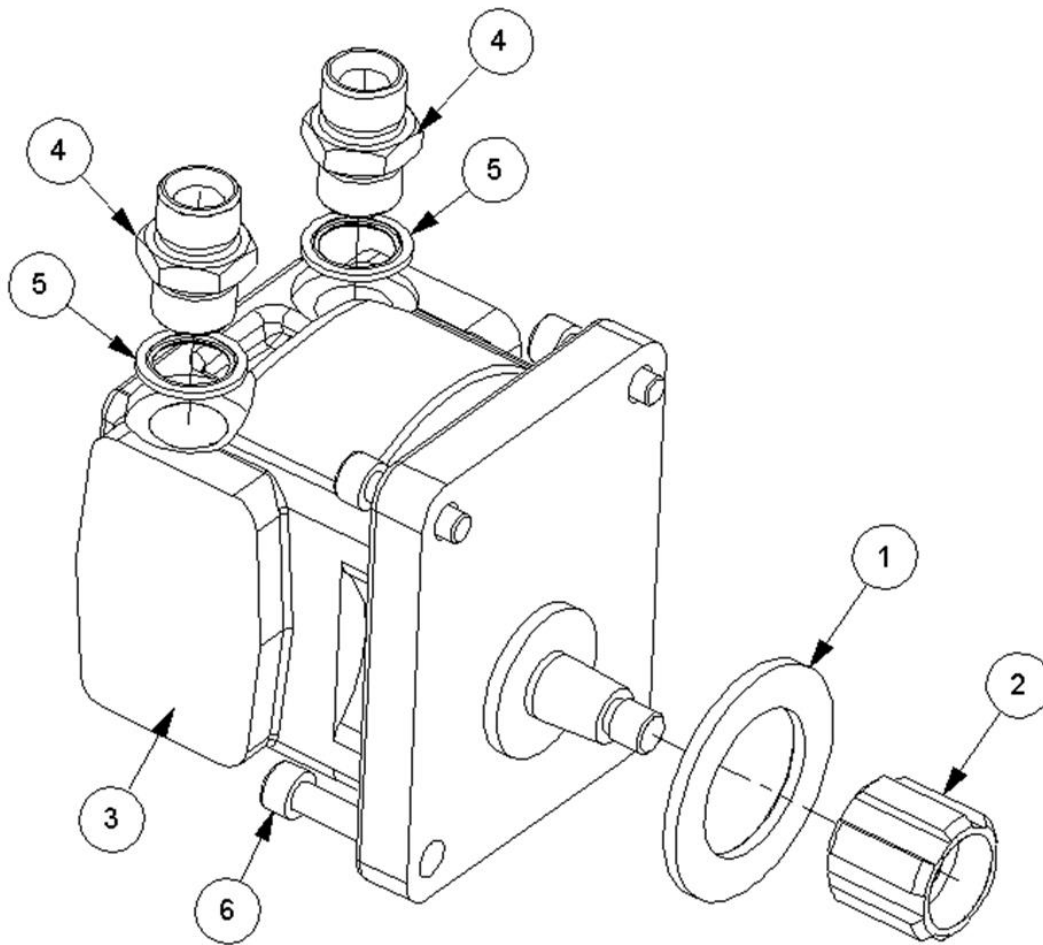
21960.01 - ROLLER MODULE



Ref	Part No	Description	QTY
1	21967.01	BRACKET	2
2	41301.02	ROLLER	1
3	9113008	NUT	4
4	9163007	NUT	4
5	9313097	SCREW	2
6	9313117	SCREW	2

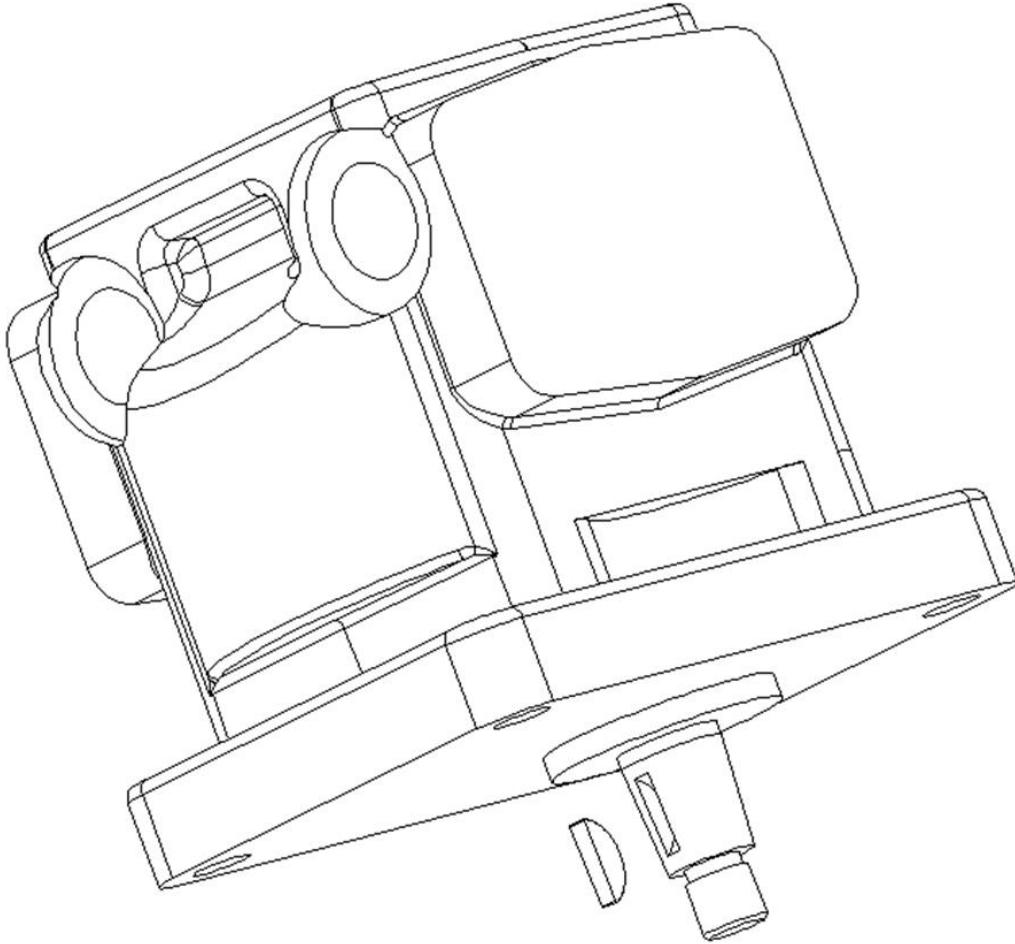
Ref	Part No	Description	QTY
7	04.456.03	BEARING KIT	0

21965.01 - MOTOR MODULE



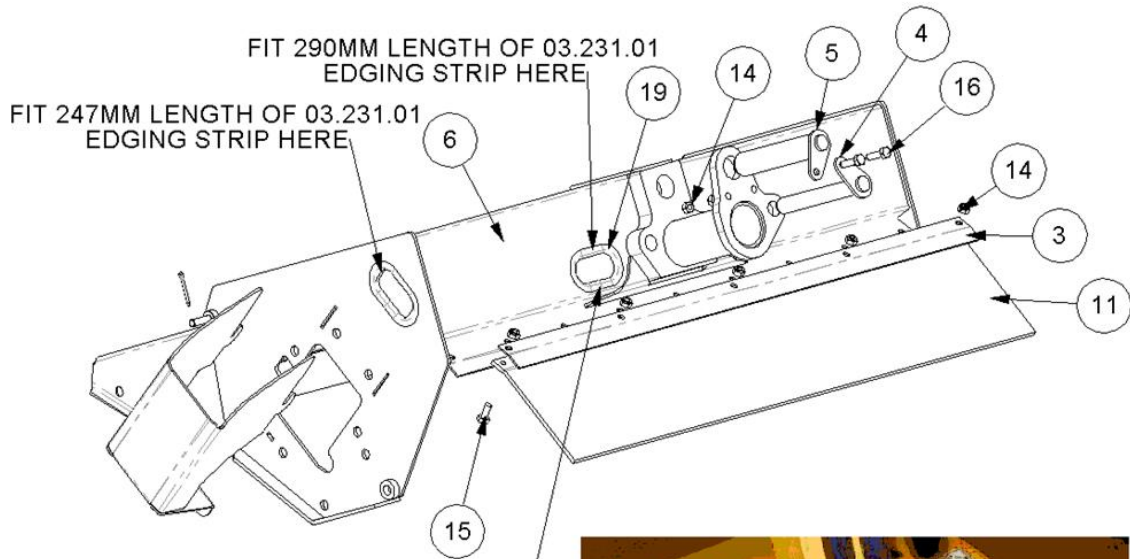
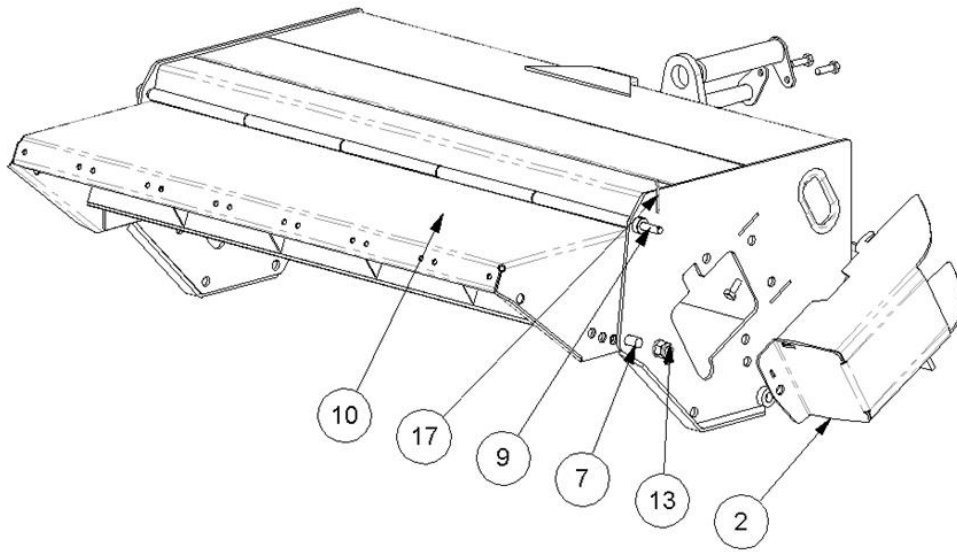
Ref	Part No	Description	QTY
1	7190015	WASHER	1
2	7190573	USE 7190580/549	1
3	8301303	MOTOR	1
4	8581136	ADAPTOR	2
5	8650106	SEAL	2
6	9300144	SCREW	4

8301303 - MOTOR



Ref	Part No	Description	QTY
1	9100015	NUT	1
2	8301010	KEY	1
3	8629209	SEAL	2
4	8699236	SEAL KIT	1

21969.03 - CASING & HOOD MOD



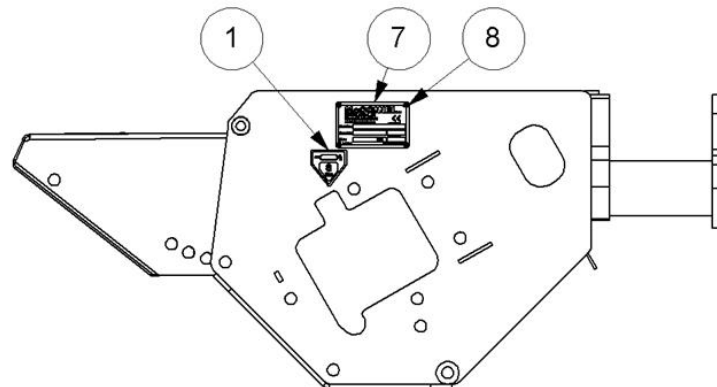
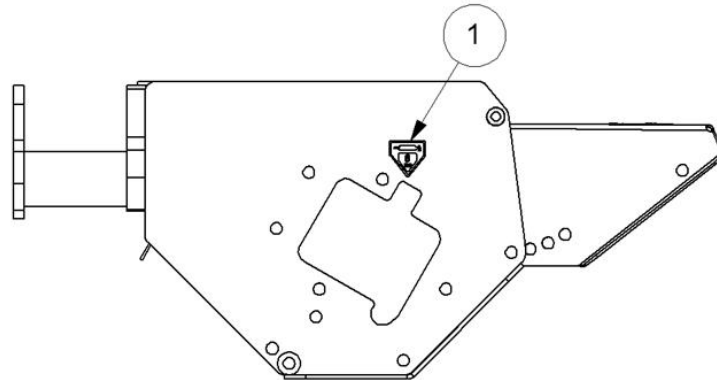
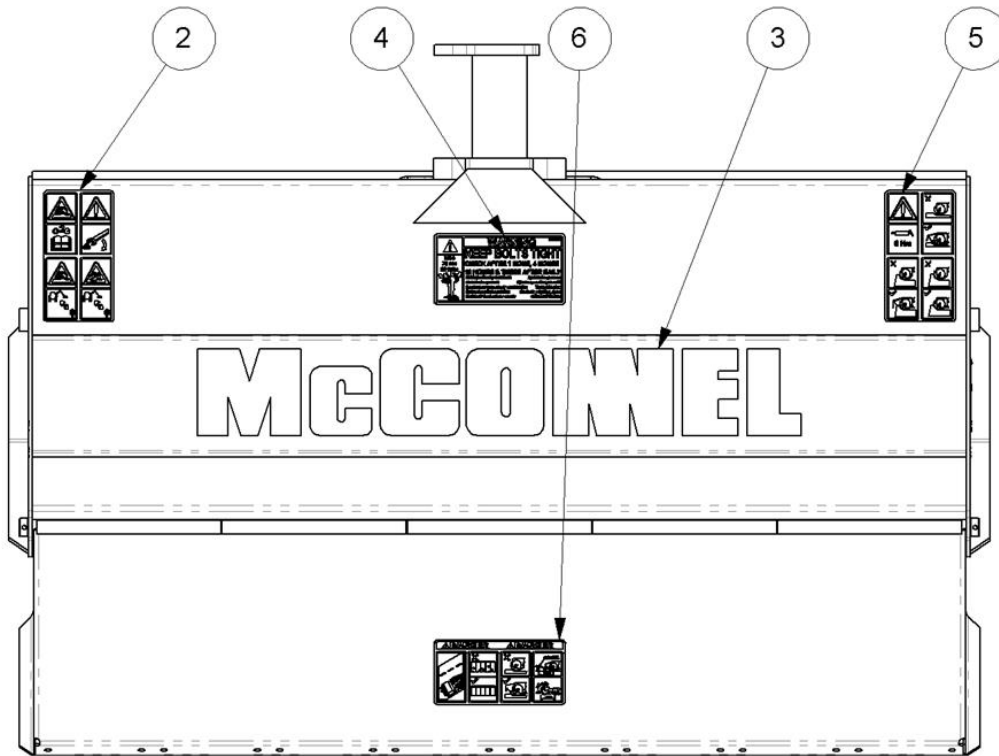
RUN FLAIL HOSES FROM ARM THROUGH 1.0M LENGTH OF 00900913 SLEEVING BEFORE FITTING THROUGH CUTOUT IN CASING. SECURE SLEEVING AT EACH END WITH 7196045 HOSE TIES.



Ref	Part No	Description	QTY
2	21966.01	COVER	1
3	21968.01	PRESSING	1
4	21970.01	PIN	1
5	21971.01	PIN	1
6	22459.01	CASING W.A.	1
7	30.073.25	BOLT	2
9	7191094	PIN	1

Ref	Part No	Description	QTY
10	7191279	FRONT HOOD	1
11	7191300	FLAP	1
13	9100024	NUT	2
14	9163005	NUT	7
15	9313055	SCREW	5
16	9313075	SCREW	2
17	9501406	PIN	1
19	03.231.17	RUBBER EDGE MOULDING 537mm	1

21978.01 - STICKER MODULE



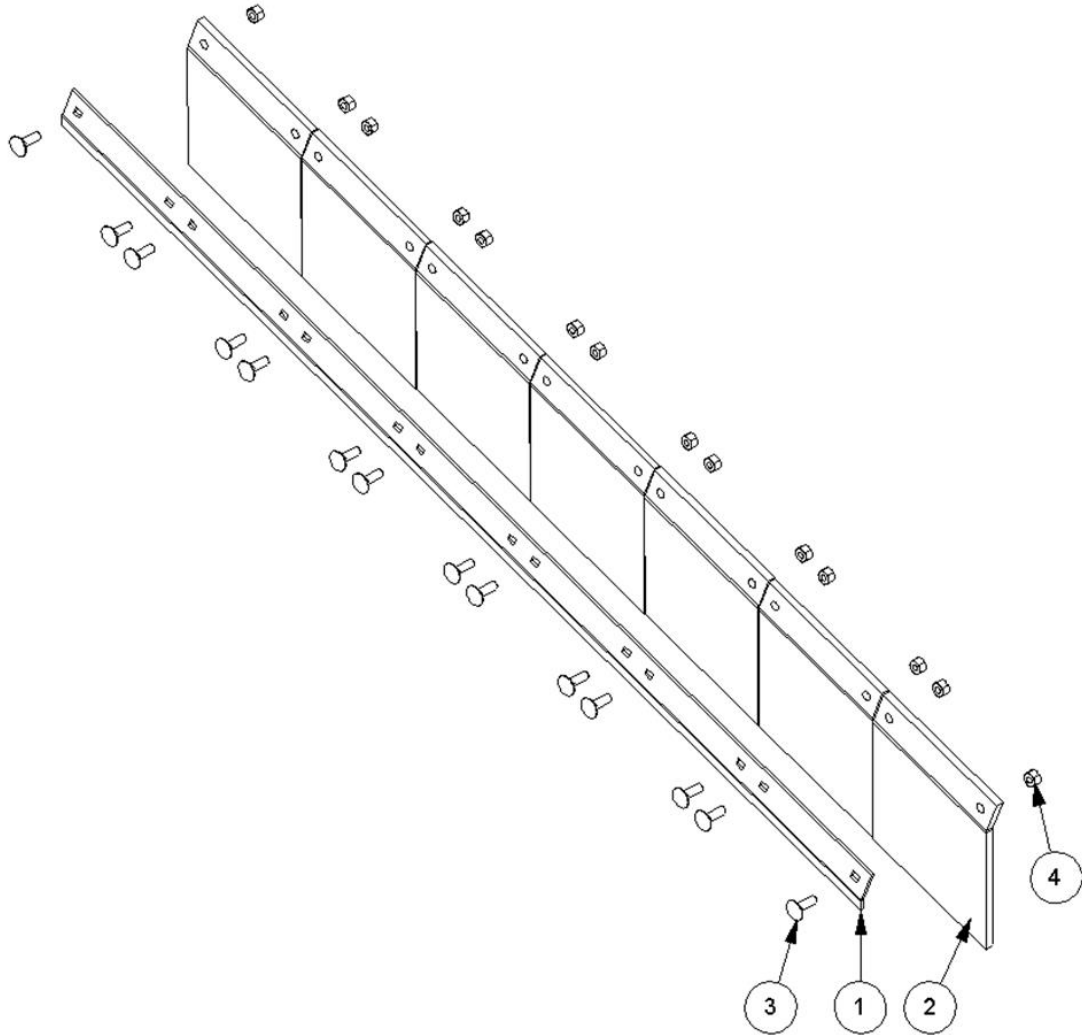
NOTE: LAYOUT SHOWN FOR LH OB/RH IB
 NUMBER PLATE FITTED TO OPPOSITE
 END FOR LH IB/RH OB

Ref	Part No	Description	QTY
1	09.810.01	DECAL	2
2	09.821.35	DECAL	1

Ref	Part No	Description	QTY
3	1290527	DECAL	1
4	1291315	DECAL	1
5	1290738	DECAL	1
6	1291231	DECAL	1
7	1335246	SERIAL No. PLATE	1
8	7103230	RIVET	4

7191321 - FLAP KIT 1.0M

SUPERCUT



Ref	Part No	Description	QTY
1	7190035	FLAP	7
2	7190350	CLAMP STRIP	1
3	9293054	BOLT	14
4	9163004	NUT	14

