



SHUTTLE SERIE RV

CATALOGO PARTI DI RICAMBIO
SPARE PARTS CATALOGUE
CATALOGUE PIECES DE RECHANGE
ERSATZTEILLISTE
CATÁLOGO PARTES DE REQUESTO

125	150	175	200
230	260	280	
	300	320	

per ordinare i pezzi di ricambio

Per una corretta ordinazione dei pezzi di ricambio è necessario indicare i seguenti elementi:

- 1) Modello della macchina,
 - 2) Numero di catalogo,
 - 3) Codice del ricambio,
 - 4) Quantità richiesta.
-

pour commander les pièces de rechange

Pour commander les pièces de rechange il faut indiquer:

- 1) Modèle de la machine,
 - 2) Nombre du catalogue,
 - 3) Code de la pièce de rechange,
 - 4) Quantité demandé.
-

to order the spare parts

To order the spare parts correctly you must specify:

- 1) Model of the machine,
 - 2) Catalogue number,
 - 3) Spare part code number,
 - 4) Required quantity.
-

um die Ersatzteile zu bestellen

Für eine korrekte Bestellung der Ersatzteilen müssen die folgende Einzelheiten angegeben werden:

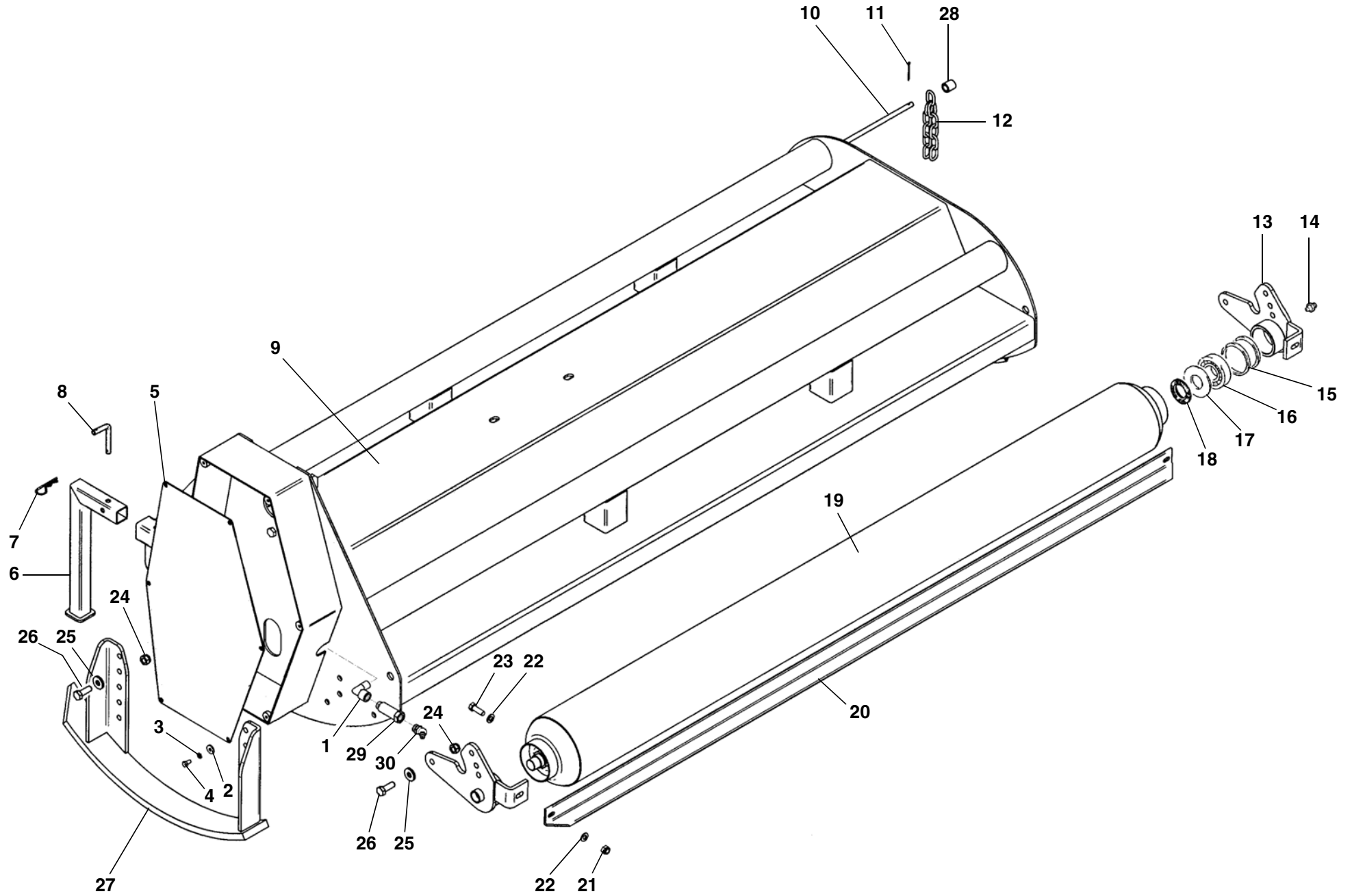
- 1) Gerät-Modell,
 - 2) Katalog-Nummer,
 - 3) Teil-Nummer,
 - 4) Gewünschte Menge.
-

para pedir las partes de requesto

Para pedir correctamente las partes de requesto se tiene que especificar:

- 1) Modelo de la máquina,
- 2) Número de catálogo,
- 3) Código de la parte de requesto,
- 4) Cantidad pedida.

TAV. 1199



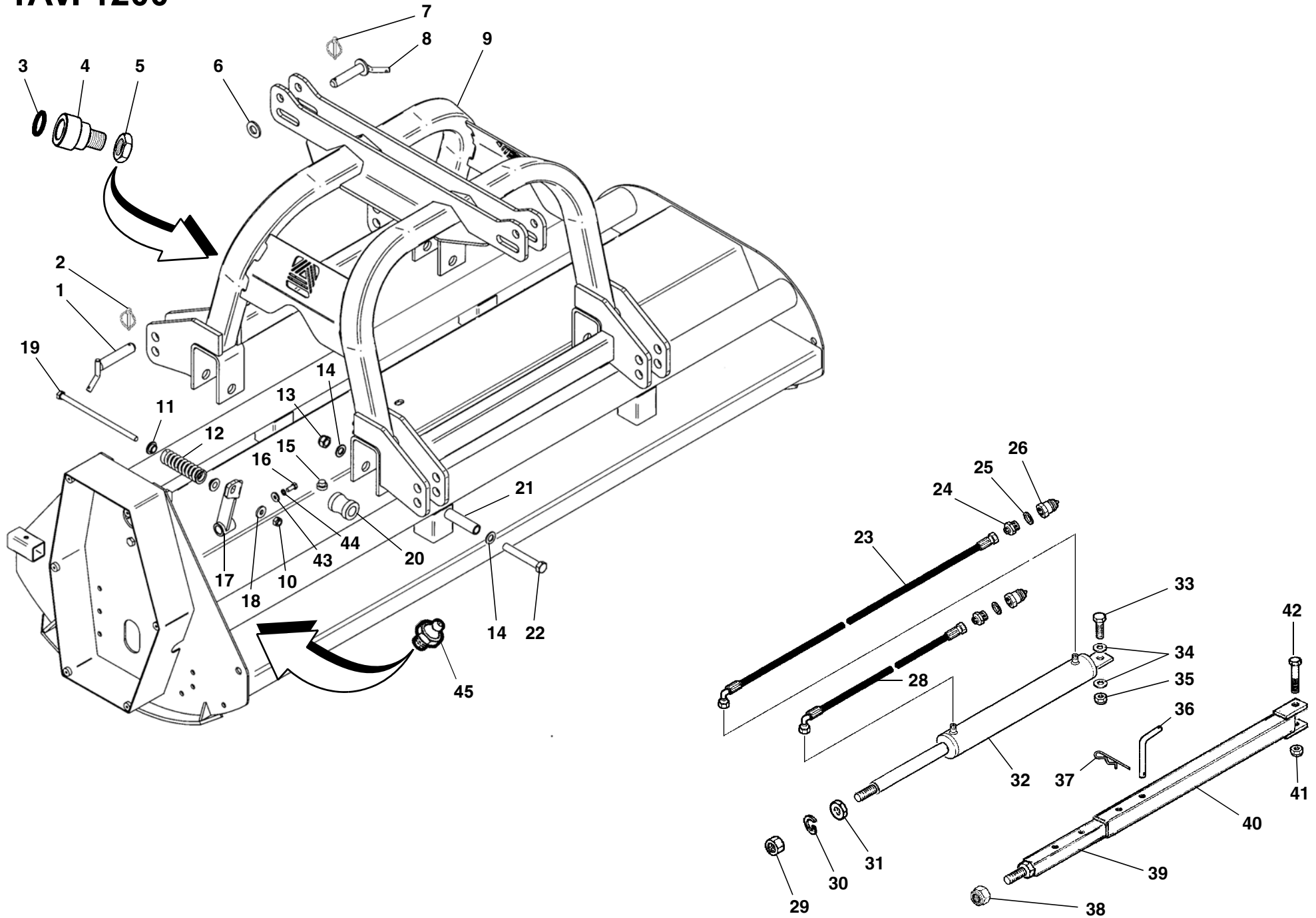
TAV. 1199

RIF.	CODICE	DESCRIZIONE	N.
1	0002445	1/8" - 1/8" 90°	1
2	1309243	ø8x24x3 UNI6593	6
3	1508150	ø8 UNI6798A	6
4	1110804	M8x16 UNI5739	6
5	3007647		1
6	3000362		1
7	0002115	ø4	1
8	3000088		1
9	3007742	RV 125	1
	3007743	RV 150	1
	3007744	RV 175	1
	3007745	RV 200	1
	3007748	RV 230	1
	3012242	RV 260	1
	3008158	RV 280	1
	3013500	RV 300	1
	3008159	RV 320	1
10	3000315	RV 125	1
	3000316	RV 150	1
	3000317	RV 175	1
	3000318	RV 200	1
	3000075	RV 230	1
	3000167	RV 260	1
	3002604	RV 280	1
	3006487	RV 300	1
	3000168	RV 320	1
11	1559028	ø4,5x45 UNI1336	1
12	3001927	RV 125	40

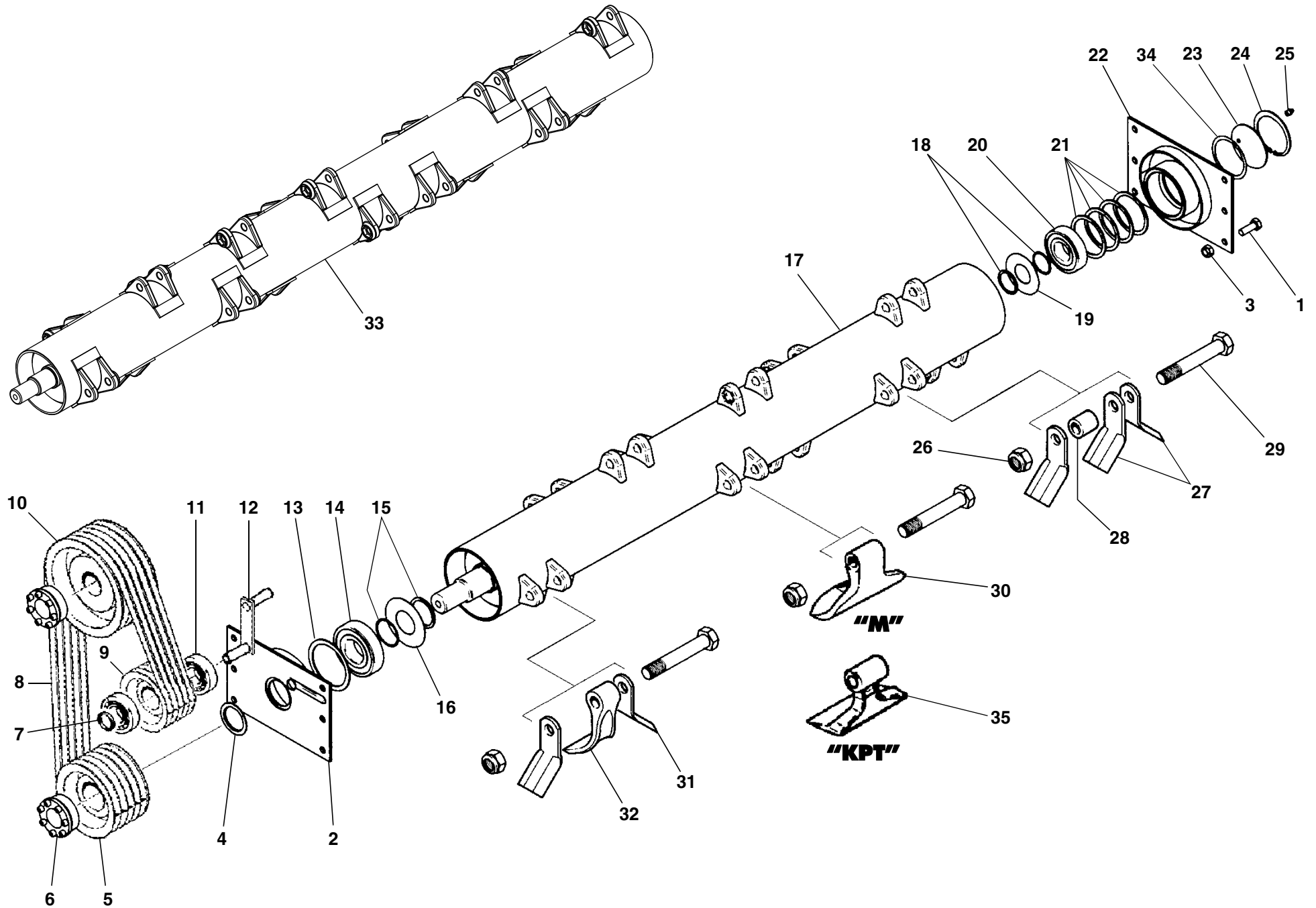
RIF.	CODICE	DESCRIZIONE	N.
	3001927	RV 150	48
	3001927	RV 175	56
	3001927	RV 200	64
	3001927	RV 230	74
	3001927	RV 260	82
	3001927	RV 280	90
	3001927	RV 300	97
	3001927	RV 320	102
13	3001422	Dx	1
	3001423	Sx	1
14	0002654	M10x1	2
15	3000640	65x71x3	2
	3000181	61x71,5x1,5	2
16	0001521	21306	2
17	3000648		2
18	0001805	35x72x10	2
19	3002768	RV 125	1
	3001431	RV 150	1
	3001432	RV 175	1
	3001433	RV 200	1
	3001434	RV 230	1
	3002429	RV 260	1
	3001435	RV 280	1
	3008453	RV 300	1
	3003086	RV 320	1
20	3001089	RV 125	1
	3001479	RV 150	1
	3001478	RV 175	1

RIF.	CODICE	DESCRIZIONE	N.
	3001477	RV 200	1
	3001476	RV 230	1
	3002428	RV 260	1
	3001464	RV 280	1
	3007790	RV 300	1
	3003088	RV 320	1
21	1012410	M10 UNI7474 RV 125/200	2
	1012412	M12 UNI7474 RV 230/320	2
22	1310303	ø10 UNI6593 RV 125/200	4
	1312363	ø12 UNI6593 RV 230/320	4
23	1111010	M10x30 UNI5739 RV 125/200	2
	1111212	M12x35 UNI5739 RV 230/320	2
24	1012414	M14 UNI7474	12
25	3001118	ø14,5x35x5	12
26	1111414	M14x40 UNI5739	12
27	3007688	Dx	1
	3007689	Sx	1
28	3001545	RV 125	38
	3001545	RV 150	46
	3001545	RV 175	54
	3001545	RV 200	61
	3001545	RV 230	70
	3001545	RV 260	78
	3001545	RV 280	86
	3001545	RV 300	92
	3001545	RV 320	103
29	0002446	1/8" - 1/8" L=42	1
30	0002653	M10x1x45°	1

TAV. 1200



TAV. 1201



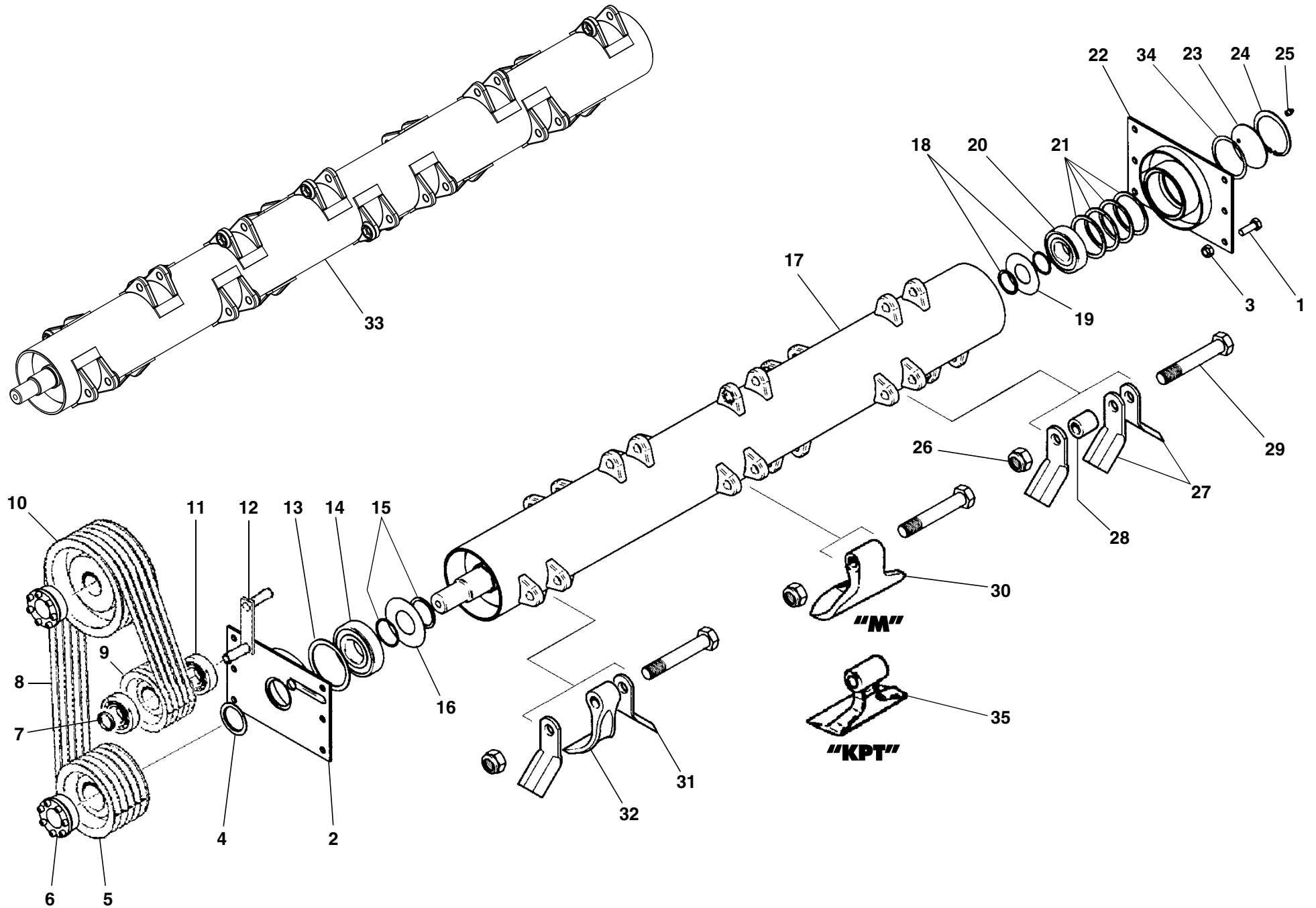
TAV. 1201

RIF.	CODICE	DESCRIZIONE	N.
1	1111410	M14x30 UNI5739	12
2	3000225	Sx RV 125/200	1
	3001404	Sx RV 230/280	1
	3003069	Sx RV 320	1
3	1012414	M14 UNI7474	12
4	0001821	55x75x5,5	1
5	3000102	160x4 SPB RV 125/200 (540 rpm)	1
	3001027	225x4 SPB RV 125/200 (1000 rpm)	1
	3010374	170x4 SPB RV 125/200 M-KPT (540 rpm)	1
	3001027	225x4 SPB RV 125/200 M-KPT (1000 rpm)	1
	3000099	160x5 SPB RV 230 (540 rpm)	1
	3000497	180x5 SPB RV 230 M-KPT (540 rpm)	1
	3000100	250x5 SPB RV 230 M-KPT (1000 rpm)	1
	3000497	180x5 SPB RV 260-280 (540 rpm)	1
	3000725	212x5 SPB 260 (1000 rpm)	1
	3000497	180x5 SPB RV 260 M-KPT (540 rpm)	1
	3000907	200x5 SPB RV 260 M-KPT (1000 rpm)	1
	3000907	200x5 SPB RV 280 (1000 rpm)	1
	3004082	140x5 SPB 300-320 (540 rpm)	1
	3001359	225x5 SPB RV 230-300-320 (1000 rpm)	1
	3000725	212x5 SPB RV 300-320 M-KPT (1000 rpm)	1
6	0001332	45x80-8V RV 125/280	2
	0001354	45x80-10V RV 300-320	2

RIF.	CODICE	DESCRIZIONE	N.
7	1010025	Seeger E 25 UNI7435	1
8	0001016	SPB-X 1400 RV 125/200 (540-1000 rpm)	4
	0001016	SPB-X 1400 RV 230-280 (540-1000 rpm)	5
	0001016	SPB-X 1400 RV 230 M-KPT (540 rpm)	5
	0001016	SPB-X 1400 RV 260 (540 rpm)	5
	0001027	SPB-X 1450 RV 260 (1000 rpm)	5
	0001016	SPB-X 1400 RV 260 M-KPT (540-1000 rpm)	5
	0001027	SPB-X 1450 RV 230-300-320 M-KPT (1000 rpm)	5
	0001016	SPB-X 1400 RV 300-320 (540 rpm)	5
	0001000	SPB-X 1500 RV 300-320 (1000 rpm)	5
9	3007646	RV 125/200	1
	3007645	RV 230/320	1
10	3001027	225x4 SPB RV 125/200 (540 rpm)	1
	3000102	160x4 SPB RV 125/200 (1000 rpm)	1
	3001104	212x4 SPB RV 125/200 M-KPT (540 rpm)	1
	3000102	160x4 SPB RV 125/200 M-KPT (1000 rpm)	1
	3001359	225x5 SPB RV 230 (540 rpm)	1
	3000725	212x5 SPB RV 230 M-KPT (540 rpm)	1
	3000099	160x5 SPB RV 230 M-KPT (1000 rpm)	1
	3000099	160x5 SPB RV 230 (1000 rpm)	1
	3000725	212x5 SPB RV 260-280 (540 rpm)	1
	3000725	212x5 SPB RV 260 (1000 rpm)	1

RIF.	CODICE	DESCRIZIONE	N.
	3000725	212x5 SPB RV 260 M-KPT (540 rpm)	1
	3000497	180x5 SPB RV 260 M-KPT (1000 rpm)	1
	3000497	180x5 SPB RV 280 (1000 rpm)	1
	3001359	225 SPB RV 300-320 (540 rpm)	1
	3000907	200x5 SPB RV 300-320 (1000 rpm)	1
	3000497	180x5 SPB RV 300-320 M-KPT (1000 rpm)	1
11	0001496	6205-2RS	2
12	3008276		1
13	3001936	99x119x3	1
14	0001400	1311	1
15	3000347	58x65x1	6
16	3000346		1
17	3000287	RV 125	1
	3000288	RV 150	1
	3000277	RV 175	1
	3004281	RV 200	1
	3001413	RV 230	1
	3002432	RV 260	1
	3001414	RV 280	1
	3013498	RV 300	1
	3003054	RV 320	1
18	3000180	45x51,5x1,5 RV 125/280	5
	3000347	58x65x1 RV 300-320	5
19	3000345	RV 125/280	1
	3000346	RV 300-320	1

TAV. 1201



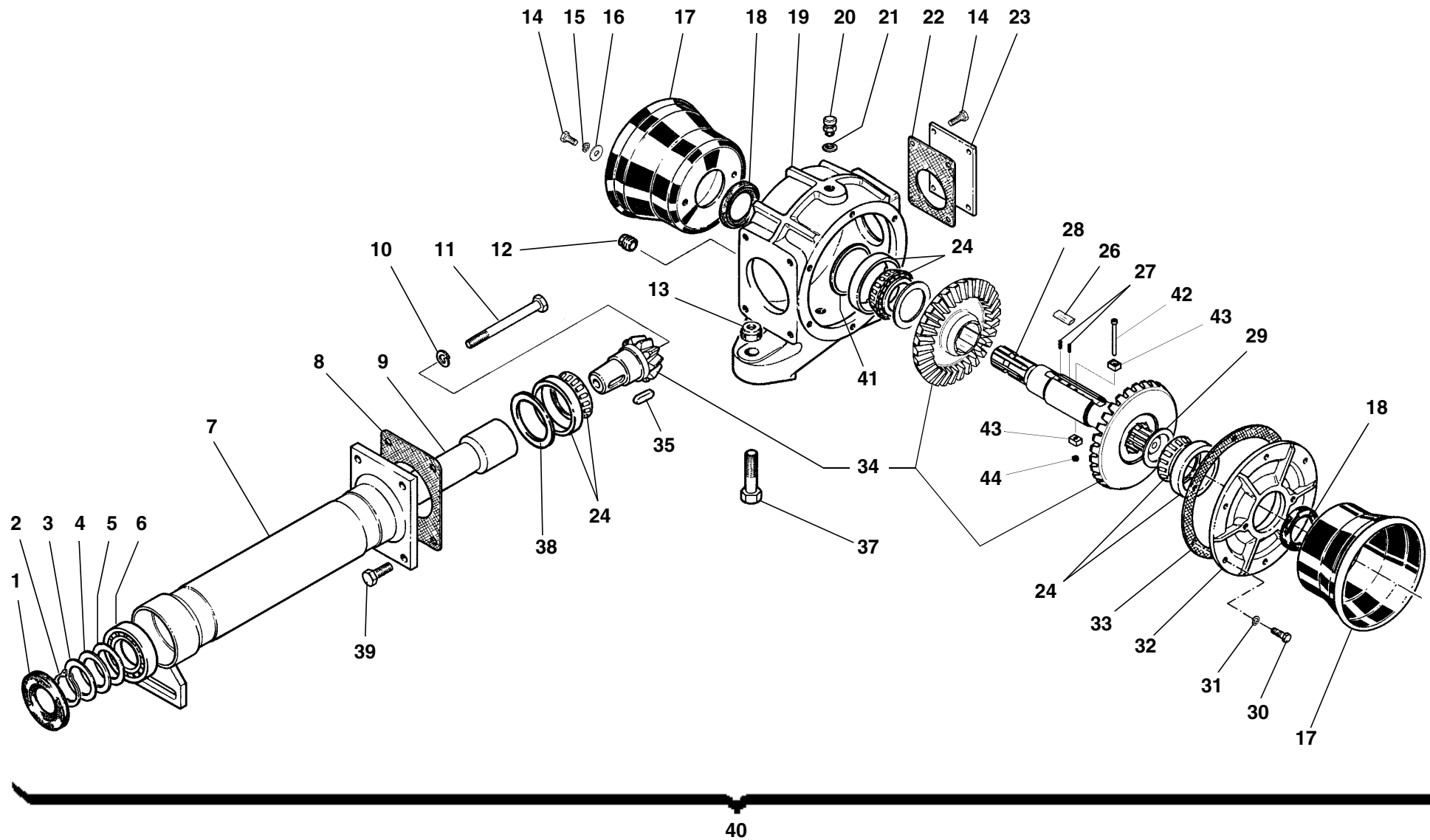
TAV. 1201

RIF.	CODICE	DESCRIZIONE	N.
20	0001401	1309 RV 125/280	1
	0001400	1311 RV 300-320	1
21	3001935	84x99x3 RV 125/280	4
	3001936	99x119x3 RV 300-320	3
22	3001009	Dx RV 125/200	1
	3001405	Dx RV 230/280	1
	3003070	Dx RV 300-320	1
23	3001012	RV 125/280	1
	3003067	RV 300-320	1
24	1020100	Seeger I 100 UNI7437 RV 125/280	1
	1020120	Seeger I 120 UNI7437 RV 300-320	1
25	0002654	M10x1	1
26	1012420	M20 UNI7474 RV 125-150	12
	1012420	M20 UNI7474 RV 175	16
	1012420	M20 UNI7474 RV 200-230	20
	1012420	M20 UNI7474 RV 260	24
	1012420	M20 UNI7474 RV 280/320	32
27	3000323	RV 125-150	36
	3000323	RV 175	48
	3000323	RV 200-230	60
	3000323	RV 260	72
	3000323	RV 280/320	96
28	3000552	RV 125-150	12
28	3000552	RV 175	16
	3000552	RV 200-230	20
	3000552	RV 260	24
	3000552	RV 280/320	32

RIF.	CODICE	DESCRIZIONE	N.
29	3002392	M20x120 RV 125-150	12
	3002392	M20x120 RV 175	16
30	3002392	M20x120 RV 200-230	20
	3002392	M20x120 RV 260	24
30	3002392	M20x120 RV 280/320	32
	3001119	RV 125-150	12
	3001119	RV 175	16
	3001119	RV 200-230	20
	3001119	RV 260	24
31	3001119	RV 280/320	32
	3000323	RV 125-150	24
	3000323	RV 175	32
	3000323	RV 200-230	40
	3000323	RV 260	48
32	3000323	RV 280/320	64
	3000548	RV 125-150	12
	3000548	RV 175	16
	3000548	RV 200-230	20
	3000548	RV 260	24
33	3000548	RV 280/320	32
	3007877	RV 125	1
	3006483	RV 150	1
	3006006	RV 175	1
	3006007	RV 200	1
	3007878	RV 230	1
	3008009	RV 260	1
	3008010	RV 280	1

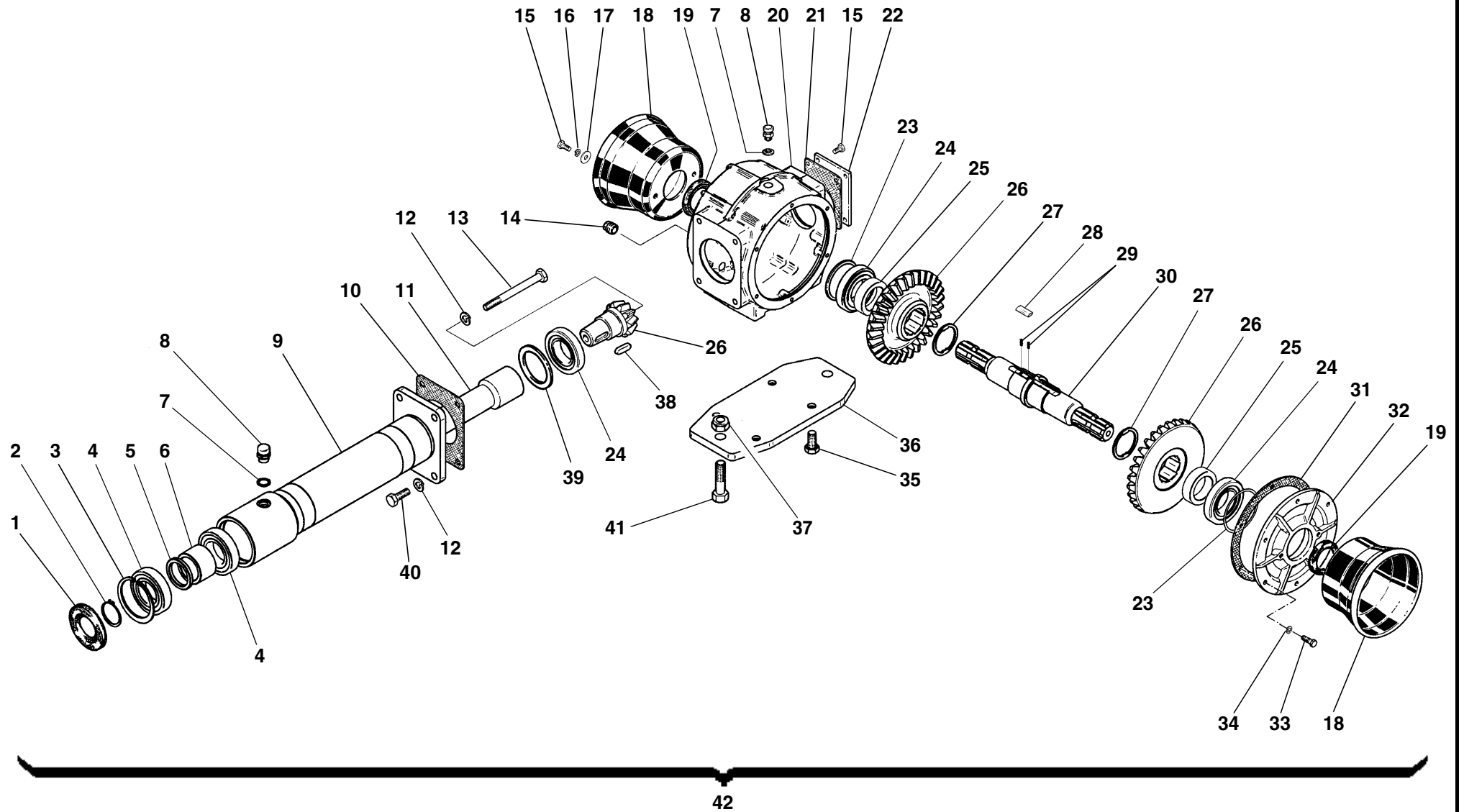
RIF.	CODICE	DESCRIZIONE	N.
34	3013506	RV 300	1
	3008011	RV 320	1
35	3001123	83,5x99x1 RV 125/280	—
	3004403	99x119x1 RV 300-320	—
35	3011270	RV 125-150	12
	3011270	RV 175	16
	3011270	RV 200-230	20
	3011270	RV 260	24
	3011270	RV 280/320	32

TAV. 1202



RV 125 - 150 - 175 - 200

TAV. 1202/1



RV 230/320

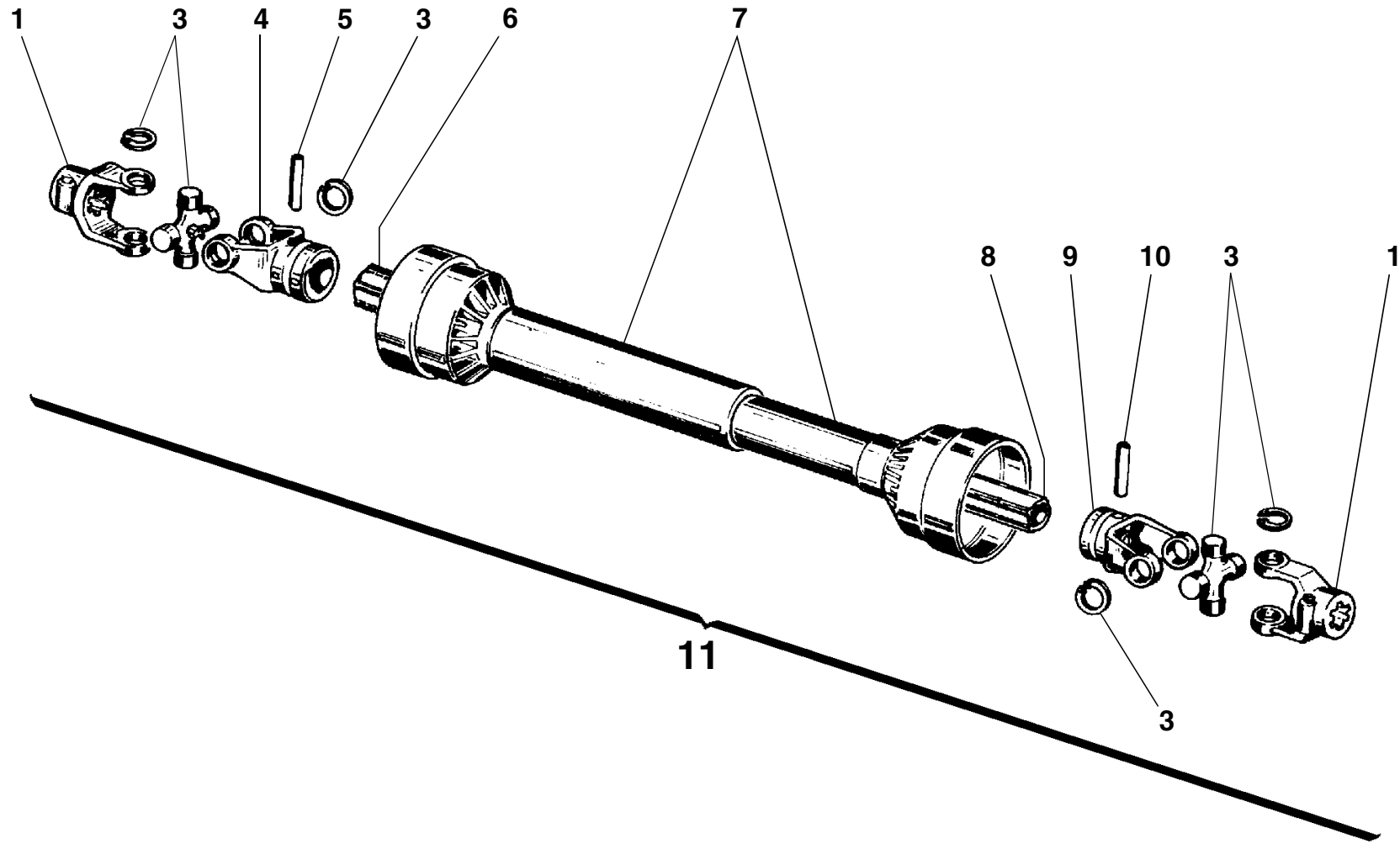
TAV. 1202/1

RIF.	CODICE	DESCRIZIONE	N.
1	0001800	45x85x10	1
2	1010045	Seeger E 45 UNI7435	1
3	1020085	Seeger I 85 UNI7437	1
4	0001475	6209	2
5	3011421		1
6	3004971	RV 230-260	1
	3008827	RV 280/320	1
7	0002031		2
8	0002679	M18x1,5	2
9	3013607	RV 230	1
	3013589	RV 260	1
	3013591	RV 280-300	1
	3013638	RV 320	1
10	3000108		—
11	3013608	RV 230	1
	3013590	RV 260	1
	3013592	RV 280-300	1
	3013639	RV 320	1
12	1212000	ø12 UNI1751	5
13	1101254	M12x140 UNI5737	1
14	0002663	M18x1,5	2
15	1110804	M8x16 UNI5739	8
16	1208000	ø8 UNI1751	4
17	1309243	ø8x24x3 UNI6593	4
18	0003411		2
19	0001801	45x65x10	2

RIF.	CODICE	DESCRIZIONE	N.
20	3013456		1
21	3000204		1
22	3000095		1
23	3004481	73,5x84x0,15	—
	3004480	73,5x84x0,4	—
	3001040	73,5x84x0,5	—
	3004458	75,2x84x0,25	—
24	0001402	30209	3
25	3011736		2
26	3007679	RV 230 (540-1000 rpm)	1
	3007679	RV 260-280 (540 rpm)	1
	3008054	RV 260/320 (1000 rpm)	1
27	3013578		2
28	3006959		4
29	0006142		8
30	3013462		1
31	3000206	≠ 0,2	—
	3006675	≠ 0,4	—
32	3001447		1
33	1110808	M8x25 UNI5739	6
34	1508150	ø8 UNI6798A	6
35	1111408	M14x25 UNI5739	4
		RV 230-260-300-320	
	1101418	M14x50 UNI5737 RV 280	4
36	3010177	RV 230-260-300-320	1
37	1012418	M18 UNI7474	2
		RV 230-260-300-320	

RIF.	CODICE	DESCRIZIONE	N.
38	1552073	10x8x35 UNI6604	1
39	3001040	73,5x84x0,5	—
40	1111212	M12x35 UNI5739	4
41	1111822	M18x60 UNI5737	2
		RV 230-260-300-320	
42	3013594	RV 230 (540-1000 rpm)	1
	3013769	RV 260 (540 rpm)	1
	3013926	RV 260 (1000 rpm)	1
	3013835	RV 280 (540 rpm)	1
	3013645	RV 300 (540 rpm)	1
	3013645	RV 280-300 (1000 rpm)	1
	3013770	RV 320 (540-1000 rpm)	1

TAV. 1203



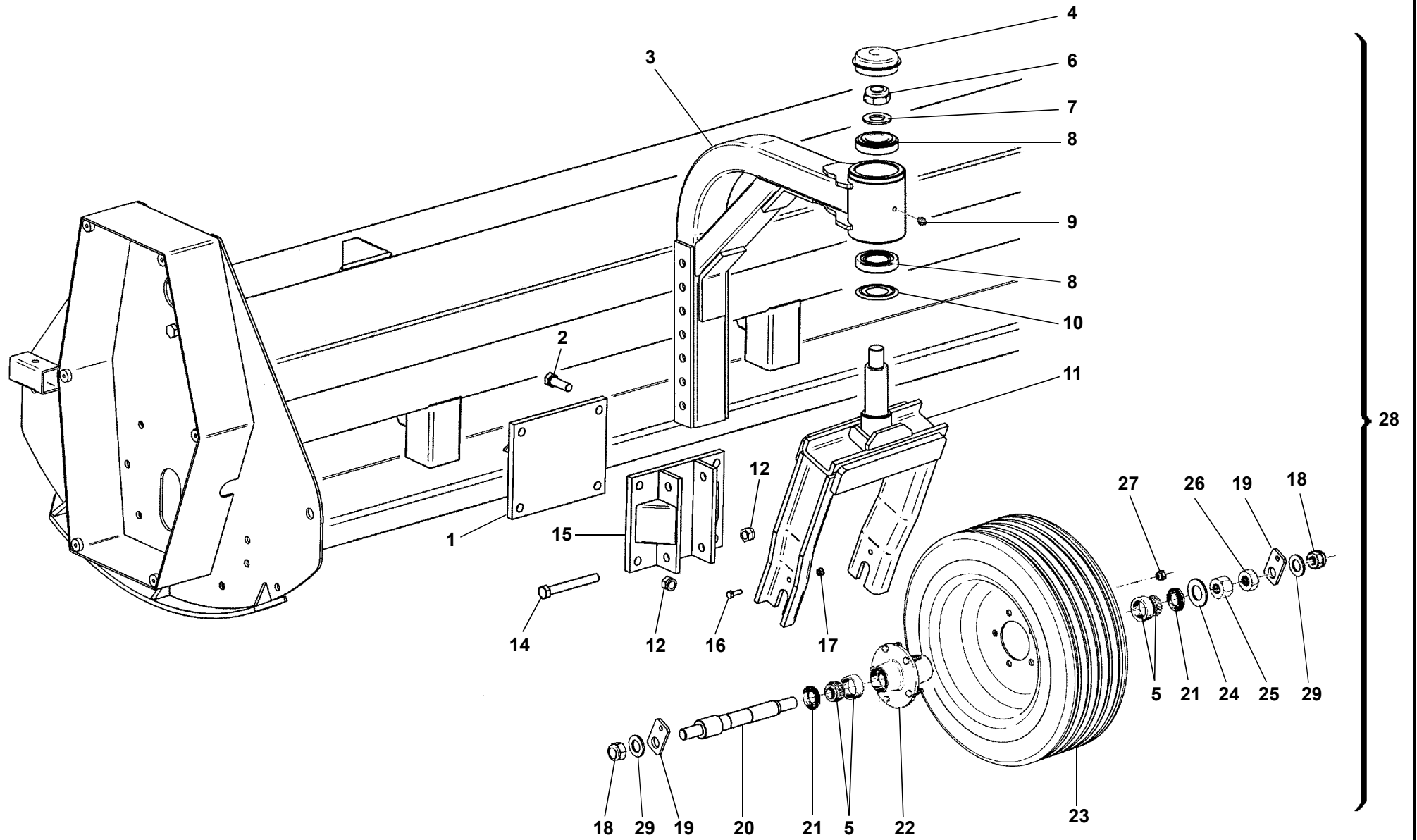
TAV. 1203

RIF.	CODICE	DESCRIZIONE	N.
1	0003100	RV 125/260	2
	0003135	RV 280/320	2
3	0003104	RV 125/260	2
	0003137	RV 280/320	2
4	0003106	RV 125/260	1
	0003138	RV 280/320	1
5	0003202	RV 125/260	1
	0003224	RV 280/320	1
6	0003240	RV 125/260	1
	0003242	RV 280/320	1
7	0003427	RV 125/260	1
	0003419	RV 280/320	1
8	0003241	RV 125/260	1
	0003243	RV 280/320	1
9	0003108	RV 125/260	1
	0003139	RV 280/320	1
10	0003205	RV 125/260	1
	0003227	RV 280/320	1
11	0003047	RV 125/260	1
	0003010	RV 280/320	1

RIF.	CODICE	DESCRIZIONE	N.
------	--------	-------------	----

RIF.	CODICE	DESCRIZIONE	N.
------	--------	-------------	----

TAV. 1204



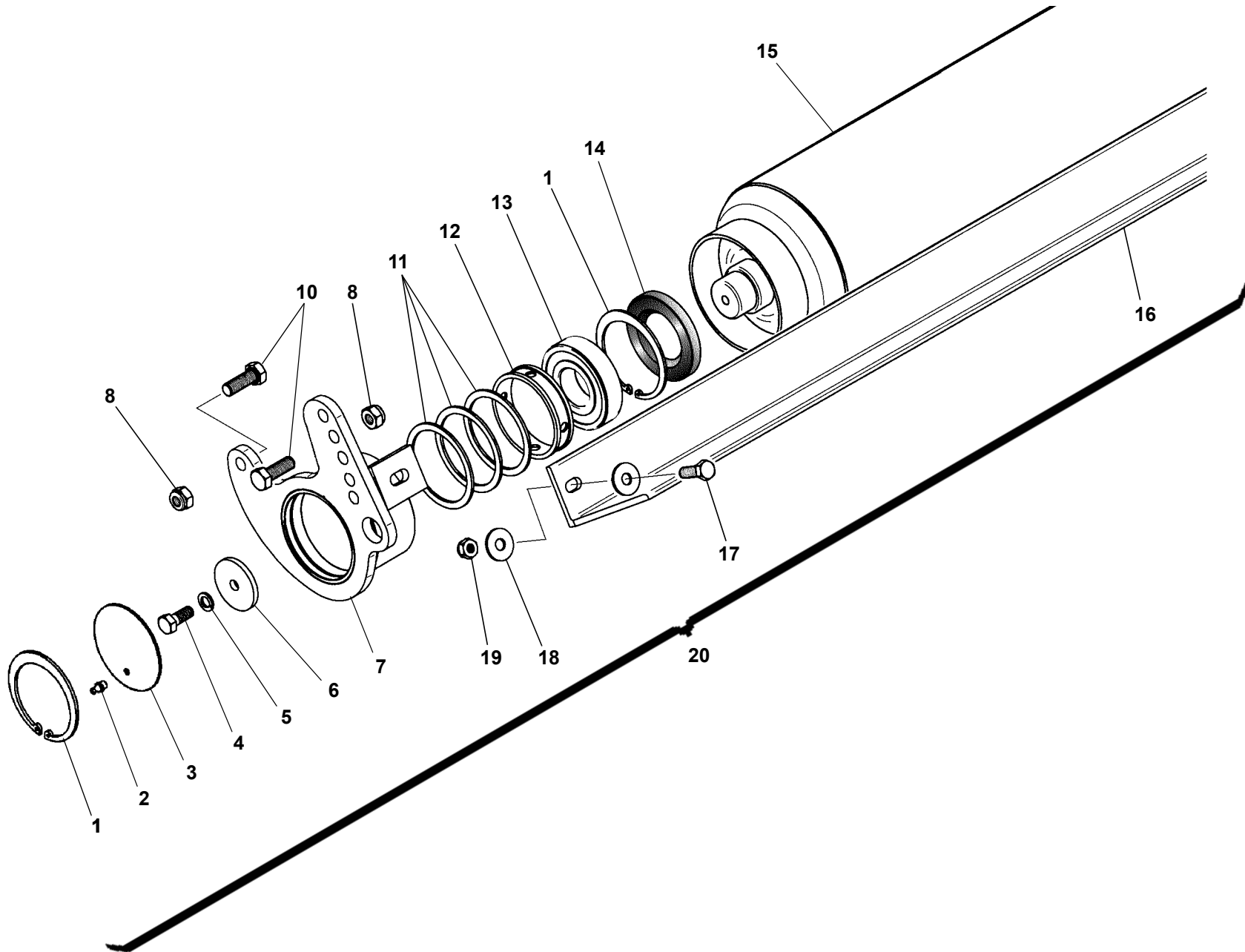
TAV. 1204

RIF.	CODICE	DESCRIZIONE	N.
1	3008168		1
2	1111618	M16x50 UNI5739	4
3	3012661		1
4	0003776		1
5	0001403	30206	2
6	1022430	M30x2	1
7	1130000	ø30 UNI6592	1
8	0001402	30209	2
9	0002654	M10x1	1
10	0001822	45x85	1
11	3006169		1
12	1012416	M16 UNI7474	6
14	1101658	M16x160 UNI5737	2
15	3012662		1
16	1110808	M8x25 UNI5739	2
17	1012408	M8 UNI7474	2
18	1012422	M22 UNI7474	2
19	3008167		2
20	3000153		1
21	0001802	30x62	2
22	0003702		1
23	0003662	200/60-R14,5	1
24	1130000	ø30 UNI6592	1
25	1022530	M30x2 UNI5588	1
26	1021530	M30x2 UNI5589	1
27	0003707		5

RIF.	CODICE	DESCRIZIONE	N.
28	8459002		2
29	1124000	ø24 UNI6593	2

RIF.	CODICE	DESCRIZIONE	N.
------	--------	-------------	----

TAV. 1205



TAV. 1205

RIF.	CODICE	DESCRIZIONE	N.
1	1020100	Seeger I 100 UNI7437	4
2	0002654	M10x1 UNI7663-A	2
3	3001012		2
4	1111210	M12x30 UNI5739	2
5	1212000	ø12 UNI1751	2
6	3008815		2
7	3010632	Sx	1
	3010633	Dx	1
8	1012414	M14 UNI7474	4
9	3001118		4
10	1111414	M14x40 UNI5739	4
11	3001935		6
12	3010024		2
13	0001401	1309	2
14	0001831	55x100x13	2
15	3010092	RV 200	1
	3010093	RV 230	1
	3010094	RV 260	1
	3010095	RV 280	1
	3013505	RV 300	1
	3010096	RV 320	1
16	3001477	RV 200	1
	3001476	RV 230	1
	3002428	RV 260	1
	3001464	RV 280	1
	3007790	RV 300	1

RIF.	CODICE	DESCRIZIONE	N.
	3003088	RV 320	1
17	1111012	M10x35 UNI5739 RV 200	2
	1111212	M12x35 UNI 5739 RV 230/320	2
18	1310303	ø10 UNI6593 RV 200	4
	1312363	ø12 UNI6593 RV 230/320	4
19	1012410	M10 UNI7474 RV 200	2
	1012412	M12 UNI7474 RV 230/320	2
20	8430002	RV 200	1
	8440004	RV 230	1
	8850006	RV 260	1
	8450010	RV 280	1
	8869094	RV 300	1
	8890010	RV 320	1

RIF.	CODICE	DESCRIZIONE	N.

