

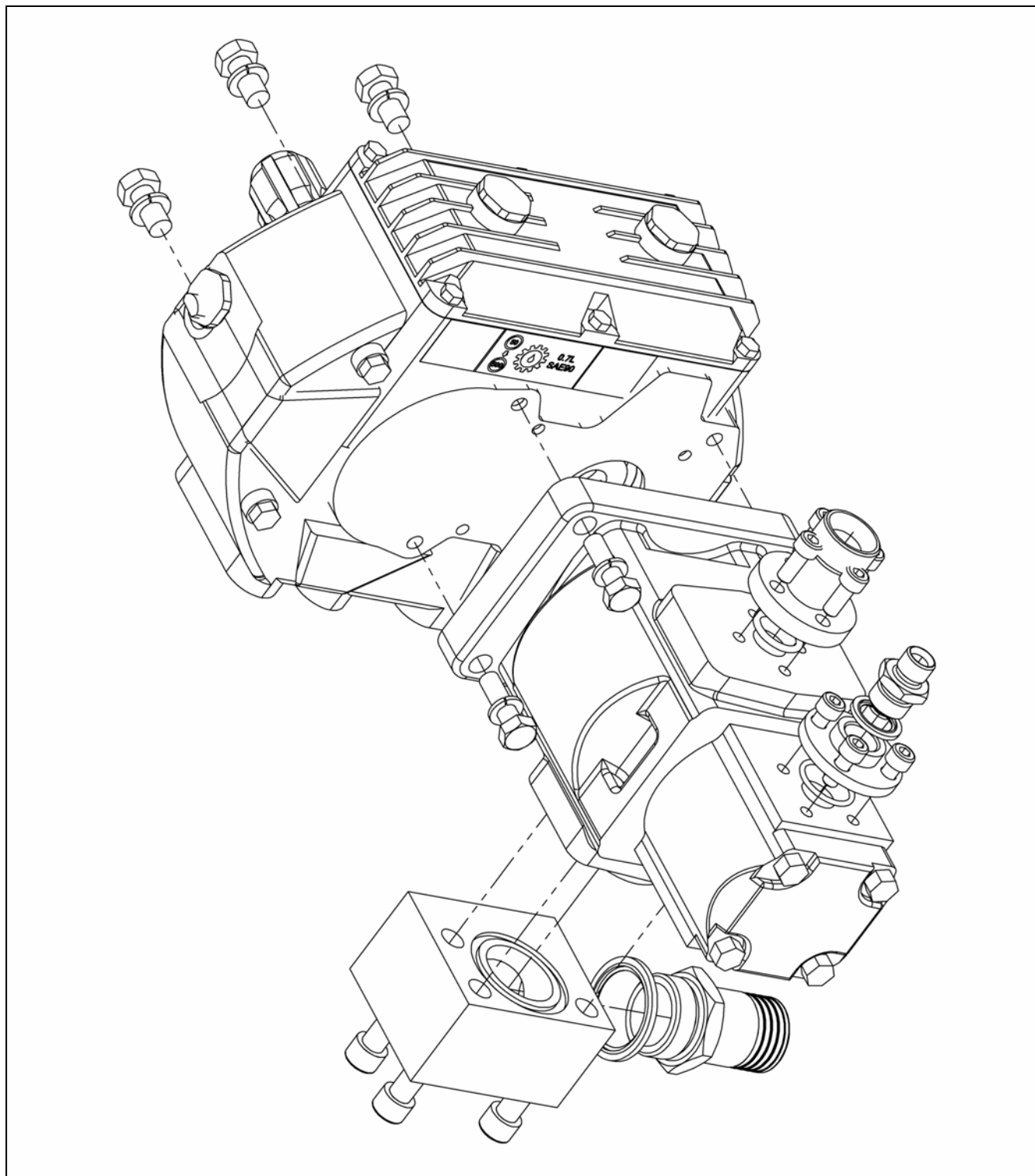
Publication 595  
April 2009  
Part No. 41571.95  
Revision: 20.05.10

# PA48 *Mk2*

## HEDGE CUTTER / MOWER



### Parts Manual





*For best performance...*

## **USE ONLY McCONNEL GENUINE SERVICE PARTS**

To be assured of the latest design improvements purchase your 'Genuine Replacements' from the **Original Equipment Manufacturer:**

# **McCONNEL LIMITED**

*through your local Dealer or Stockist.*

**Always quote:**

- ***Machine Type***
- ***Serial Number***
- ***Part Number***

### **McConnell Limited**

**Temeside Works, Ludlow, Shropshire, SY8 1JL, England.**

**Telephone: 01584 873131**

**[www.mcconnel.com](http://www.mcconnel.com)**

*Design Improvements may alter some of the components listed in this manual –  
The latest part will always be supplied when it is interchangeable with an earlier one.*

# CONTENTS

---

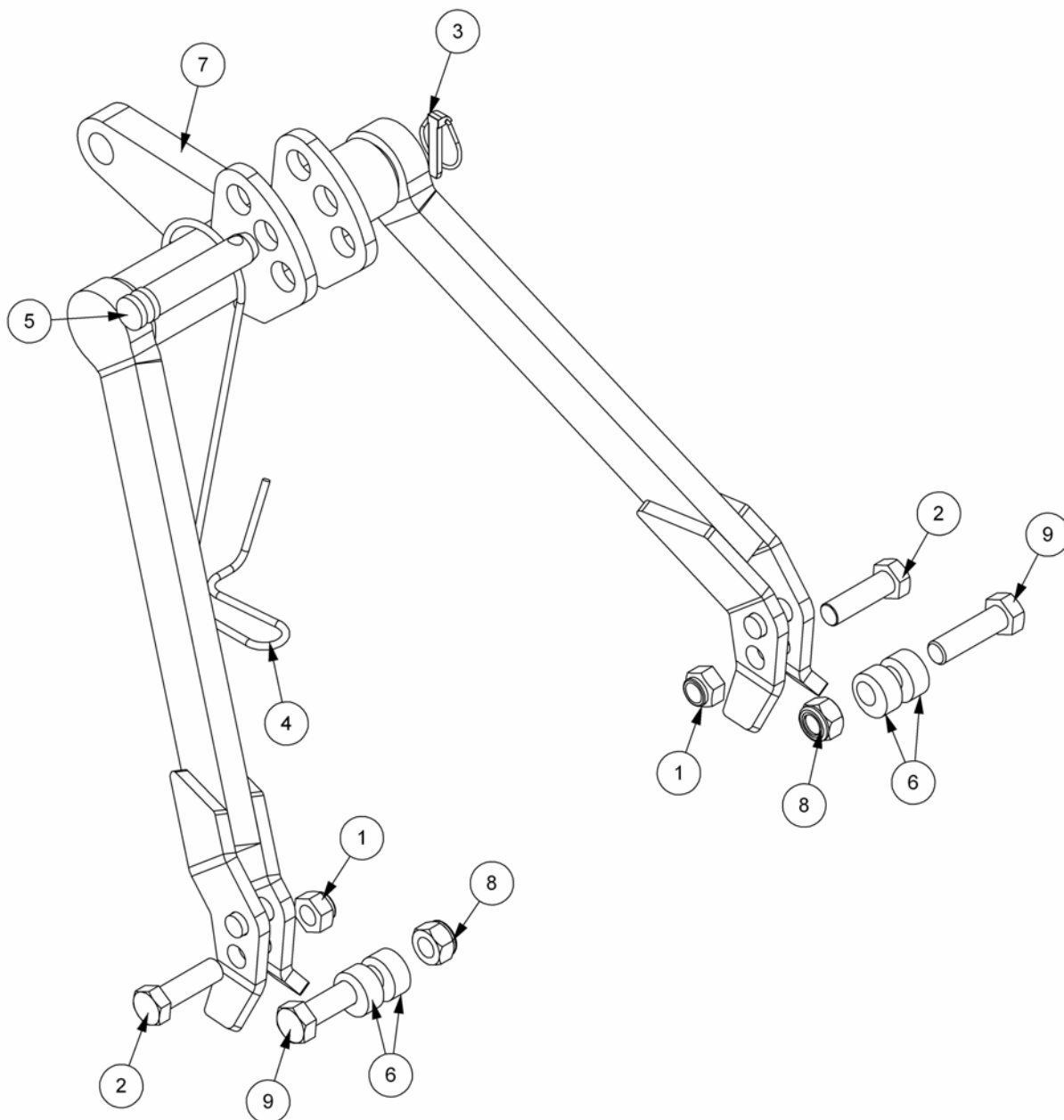
	<i>Page No.</i>
Stabilizer Assembly	1
Main Frame Assembly	2
Pillar Assembly	4
Rocker Assembly	6
Main Arm Assembly	8
Dipper Arm Assembly - Standard	10
Dipper Arm Assembly – Fixed Midcut	12
Head Angling Mechanism	14
Hydraulic Tank Assembly	16
Pump & Gearbox Assembly – <i>SI L/H Build</i>	18
Pump & Gearbox Assembly – <i>SI R/H Build</i>	20
Pump & Gearbox Assembly – <i>TI L/H Build</i>	22
Pump & Gearbox Assembly – <i>TI R/H Build</i>	24
Rotor Relief Valve Assembly	26
Cable Rotor Control Valve Assembly	28
Electric Rotor Control Valve Assembly	30
Cable SI Armhead Control Valve Assembly	32
Cable TI Armhead Control Valve & Rotor Control Valve Assemblies	33
Adaptor Kits – <i>Cable Valves</i>	35
Port Identification – <i>Cable Valves</i>	36
Electric Armhead Control Valve Assemblies	38
Manifold Assemblies	41
Adaptor Kits – <i>Electric Valves</i>	42
Control Solenoid Assemblies	44
V4 ACB Controller Wiring Diagrams	47
Multi Lever Electric Controls – <i>3 Lever</i>	50
Multi Lever Electric Controls – <i>5 Lever</i>	52
Mono Lever Electric Controls	54
Mini Proportional XTC Controls	56
XTC Proportional Controls	58
V4 Proportional Controls	60
Control Mountings – <i>Cable Models</i>	64
Control Mountings – <i>Electric Models</i>	65
Hydraulic Installations	66
Lift Ram Assembly	71
Reach Ram Assembly	72
Angling Ram Assembly	73
Angle Float Kit – <i>Electric Models (Optional Extra)</i>	74
Lift Float Kit – <i>Cable Models (Optional Extra)</i>	75
Lift Float Kit – <i>Electric Models (Optional Extra)</i>	76
Hydraulic Hose Kits	78
Rear Covers Assembly	94
Rear Lighting Kit ( <i>Optional Extra</i> )	96
Decal Kit – <i>Warnings &amp; Safety Information</i>	98
Decal Kits – <i>Identification &amp; Branding</i>	100
Debris Blower Kit – <i>High Flow (Optional Extra)</i>	102



# STABILIZER ASSEMBLY

**McCONEL**

Module(s): 7148754



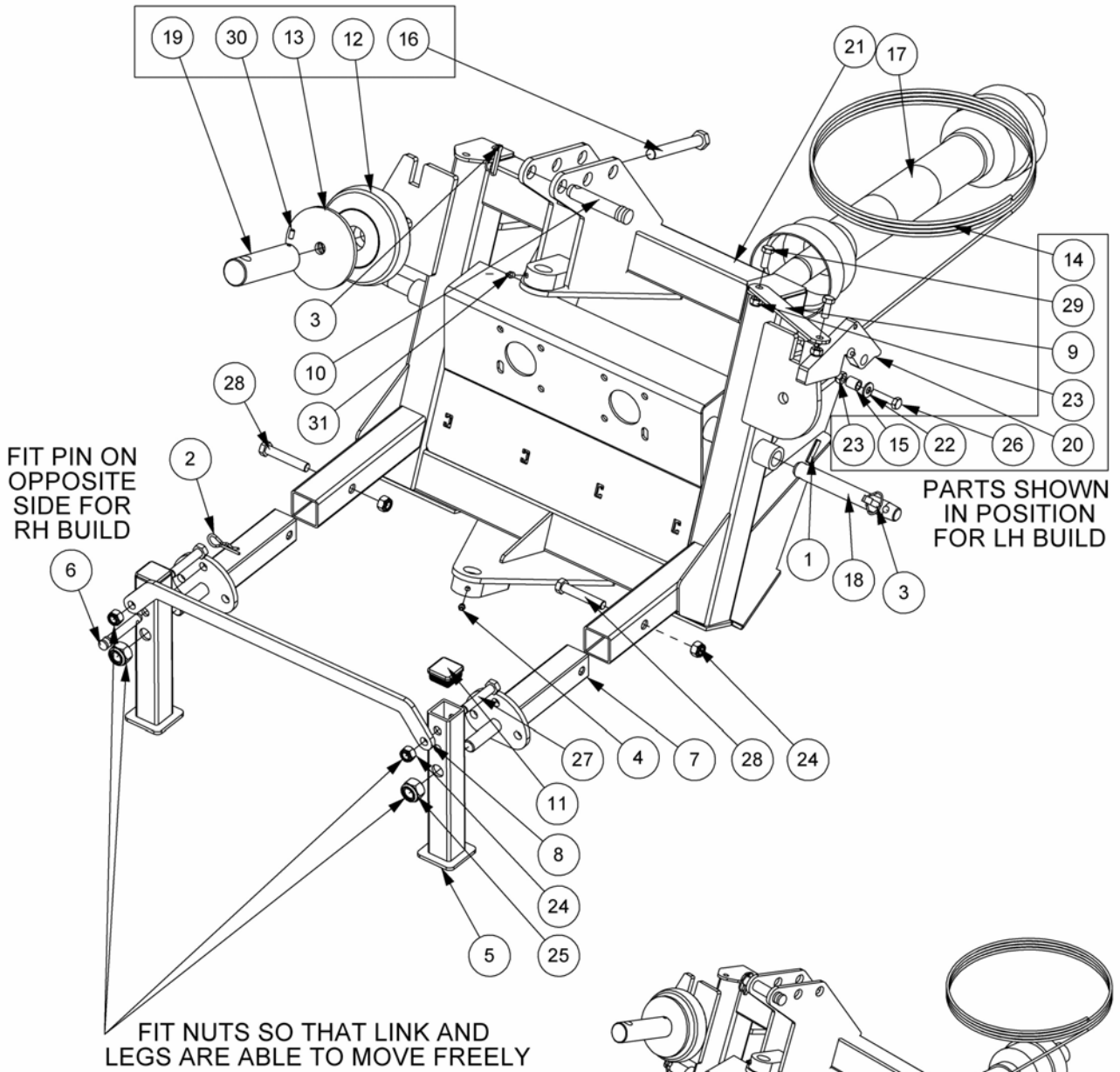
REF.	QTY.	PART NO.	DESCRIPTION
		<b>7148754</b>	<b>STABILIZER ASSEMBLY</b>
1	2	0141007	CLEVELOC NUT
2	2	0211207	BOLT
3	1	0431217	LINCH PIN
4	1	21160.03	PTO HOOK
5	1	41267.06	LINK PIN
6	4	7192080	ECCENTRIC COLLAR
7	1	7192405	UNIVERSAL STABILIZER
8	2	9163008	NYLOC NUT
9	2	9213148	BOLT

# MAIN FRAME ASSEMBLY

**McCONEL**

Module(s): 7148753

PARTS SHOWN IN POSITION FOR LH BUILD



SHOWN ASSEMBLED FOR LH BUILD MACHINE

**MAIN FRAME ASSEMBLY****McCONNEL**

Module(s): 7148753

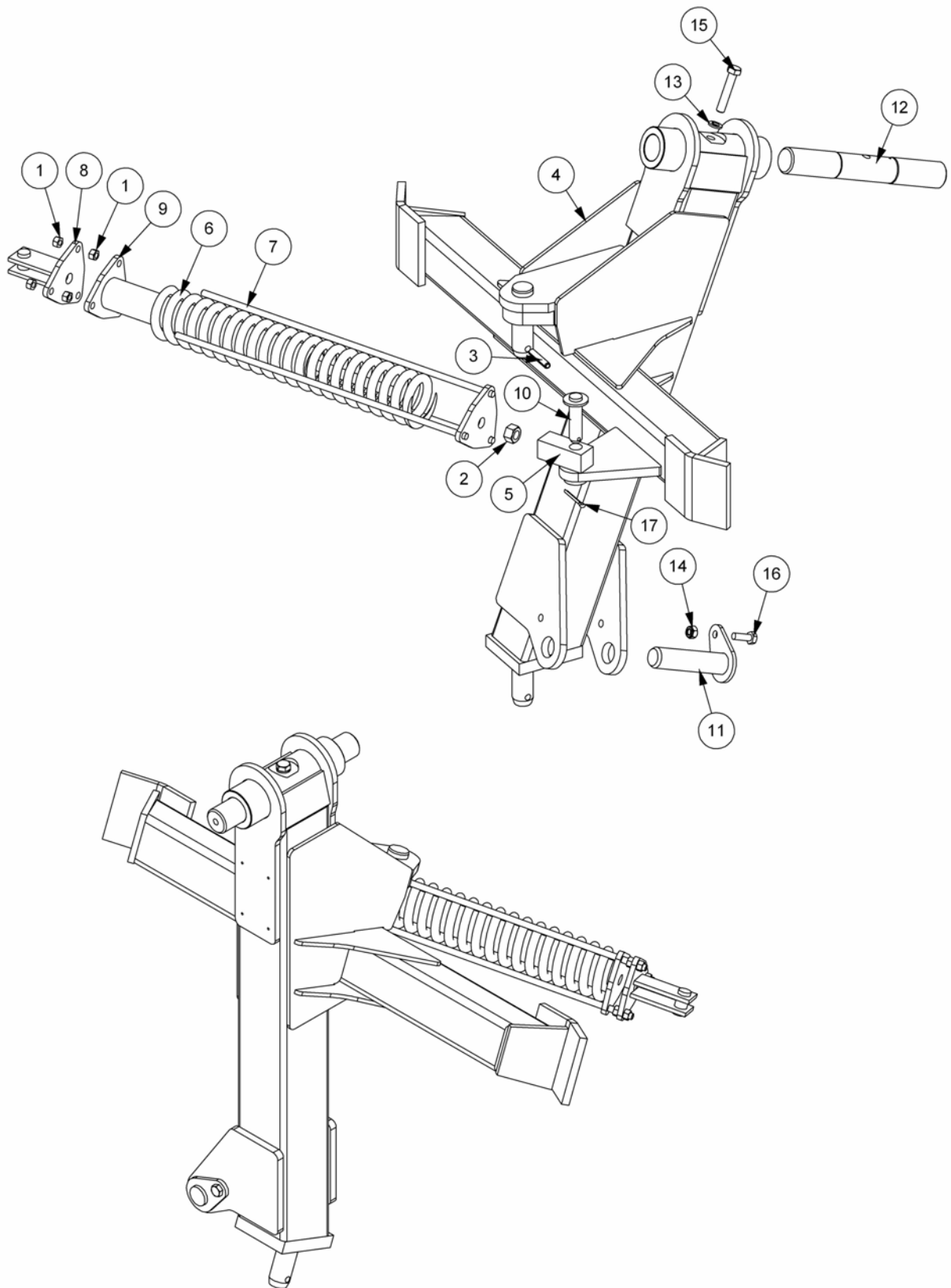
<b>REF.</b>	<b>QTY.</b>	<b>PART NO.</b>	<b>DESCRIPTION</b>
		<b>7148753</b>	<b>MAIN FRAME ASSEMBLY</b>
1	2	0422628	SPRING DOWEL
2	1	0431105	SPRING COTTER
3	3	0431217	LINCH PIN
4	1	0901121	GREASE NIPPLE
5	2	21781.02	STAND LEG
6	1	21997.01	LEG PIN
7	2	22539.01	LEG MOUNTING BRACKET
8	1	22540.01	LEG PARALLEL LINK
9	1	22544.01	TANK STRAP
10	1	41267.06	LINK PIN
11	2	41580.04	PLASTIC PLUG
12	1	7135033	RUBBER SPRING
13	1	7135034	BUFFER LOCATING DISC
14	1	71350361	NYLON CORD
15	1	7135097	SPACER
16	1	7135293	BOLT
17	1	7136330	DRIVE SHAFT ASSEMBLY
18	2	7193020	LINKAGE PIN
19	1	7193323	BUFFER ABUTMENT
20	1	7193325	LATCH
21	1	7193391	MAIN FRAME
22	1	9100106	FLAT WASHER
23	3	9163006	NYLOC NUT
24	4	9163007	NYLOC NUT
25	2	9163009	NYLOC NUT
26	1	9213106	BOLT
27	2	9213167	BOLT
28	2	9213187	BOLT
29	2	9313066	SETSCREW
30	1	9363034	GRUB SCREW
31	1	0901125	GREASE NIPPLE

**Note: L/H & R/H builds use identical components and differ only in the assembled location of the component parts.**

# PILLAR ASSEMBLY

Module(s): 7148755 – L/H Build, 7148756 – R/H Build

**McCONEL**





**PILLAR ASSEMBLY****McCONNEL**

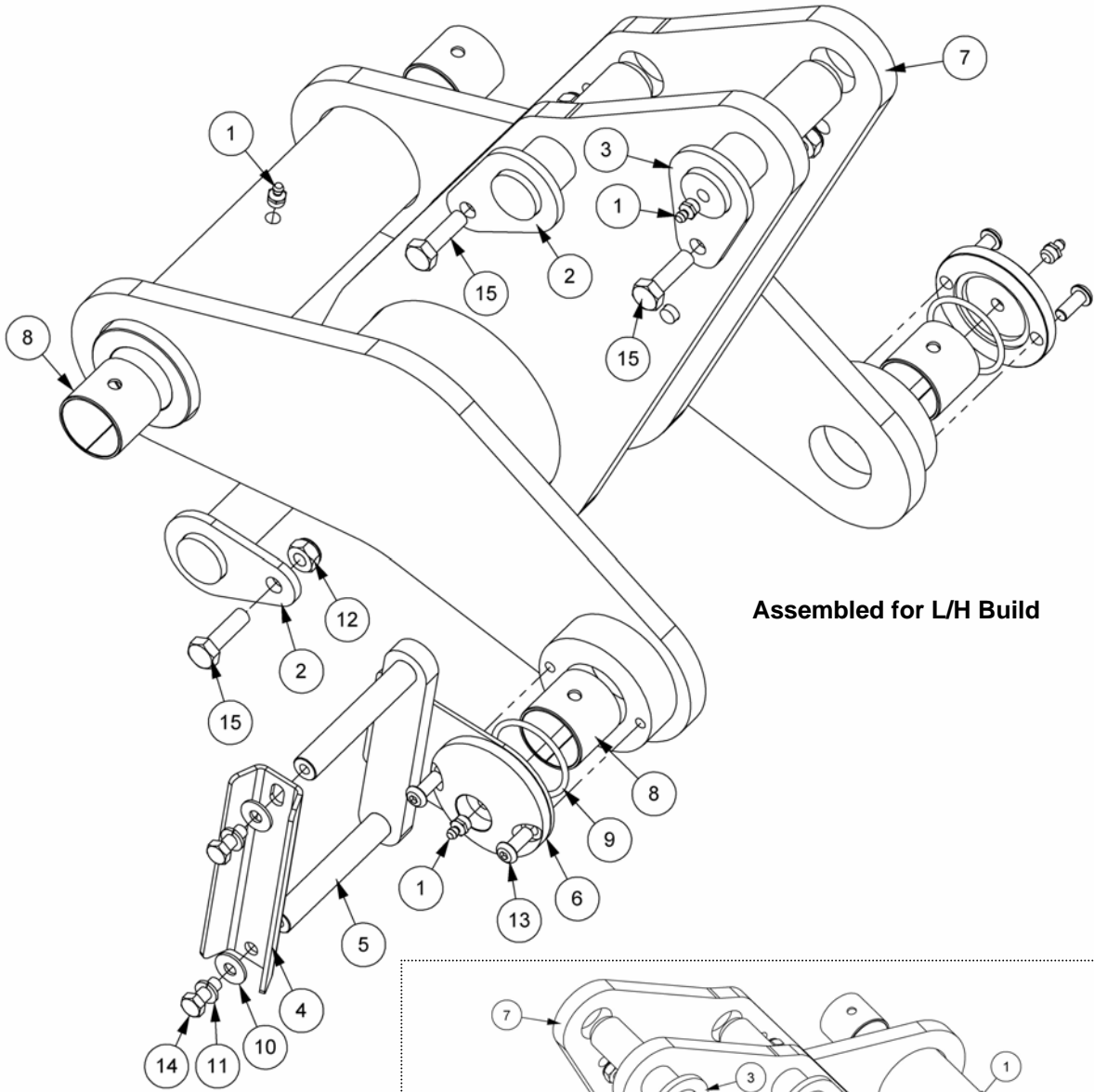
Module(s): 7148755 – L/H Build, 7148756 – R/H Build

<b>REF.</b>	<b>QTY.</b>	<b>PART NO.</b>	<b>DESCRIPTION</b>
		<b>7148755</b>	<b>PILLAR ASSEMBLY - L/H Build</b>
		<b>7148756</b>	<b>PILLAR ASSEMBLY - R/H Build</b>
1	6	0111003	NUT
2	1	0111006	NUT
3	1	0422632	SPRING DOWEL
4	1	22500.01	PILLAR - L/H Build
	1	22500.02	PILLAR - R/H Build
5	1	7135081	ROD END
6	1	7135298	BREAKAWAY SPRING
7	1	7135315	SPRING CAGE
8	1	7135317	SPRING UNIT (BASE END)
9	1	7190459	TENSION TUBE
10	1	7193021	PIN (SPRING ANCHOR)
11	1	41692.11	PIN
12	1	45264.01	MAIN PIVOT PIN
13	1	9100206	SPRING WASHER
14	1	9163005	NYLOC NUT
15	1	9213136	BOLT
16	1	9313065	SETSCREW
17	1	9501406	SPLIT PIN

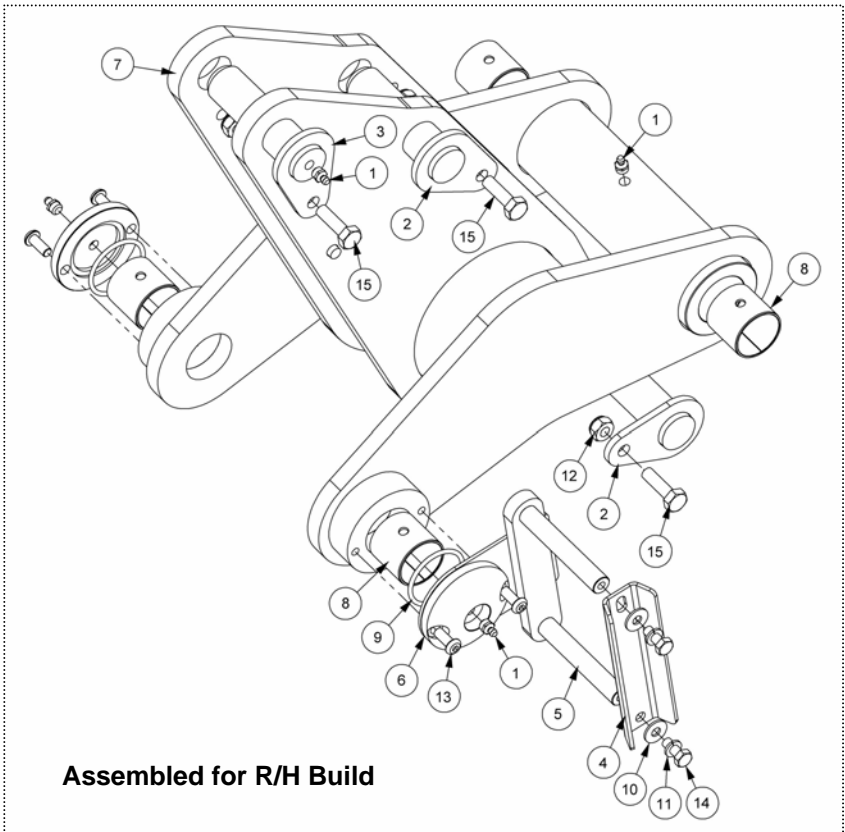
# ROCKER ASSEMBLY

Module(s): 7150743

# McCONEL



**Assembled for L/H Build**



**Assembled for R/H Build**

**ROCKER ASSEMBLY****McCONNEL**

Module(s): 7150743

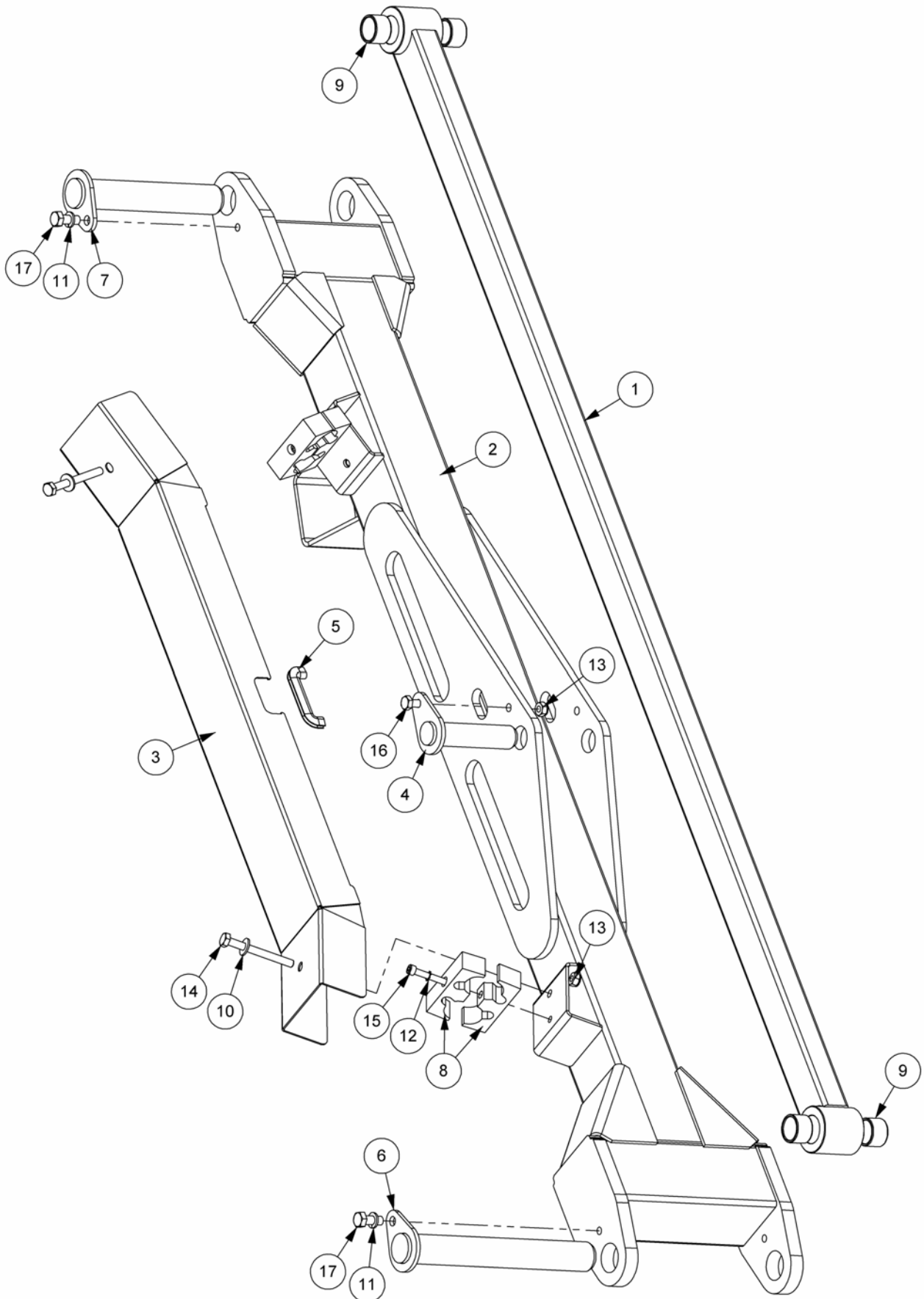
<b>REF.</b>	<b>QTY.</b>	<b>PART No.</b>	<b>DESCRIPTION</b>
		<b>7150743</b>	<b>ROCKER ASSEMBLY</b>
1	4	0901121	GREASE NIPPLE
2	2	41692.12	PIN
3	1	41692.13	PIN
4	1	43048.10	HOSE RETAINER
5	1	43048.14	HOSE RETAINING BRACKET
6	2	45266.01	PIN CAP
7	1	45445.03	ROCKER
8	4	7115208	BUSH
9	2	8600303	O RING
10	2	9100104	FLAT WASHER
11	2	9100204	SPRING WASHER
12	3	9163005	NYLOC NUT
13	4	9300161	SOCKET BUTTON SCREW
14	2	9313044	SETSCREW
15	3	9313075	SETSCREW

**NOTE: The Rocker Assembly for both L/H & R/H builds are the same but differ in the positioning of the assembled components.**

# MAIN ARM ASSEMBLY

Module(s): 7150716 – L/H Build, 7150717 – R/H Build

**McCONEL**



**MAIN ARM ASSEMBLY****McCONNEL**

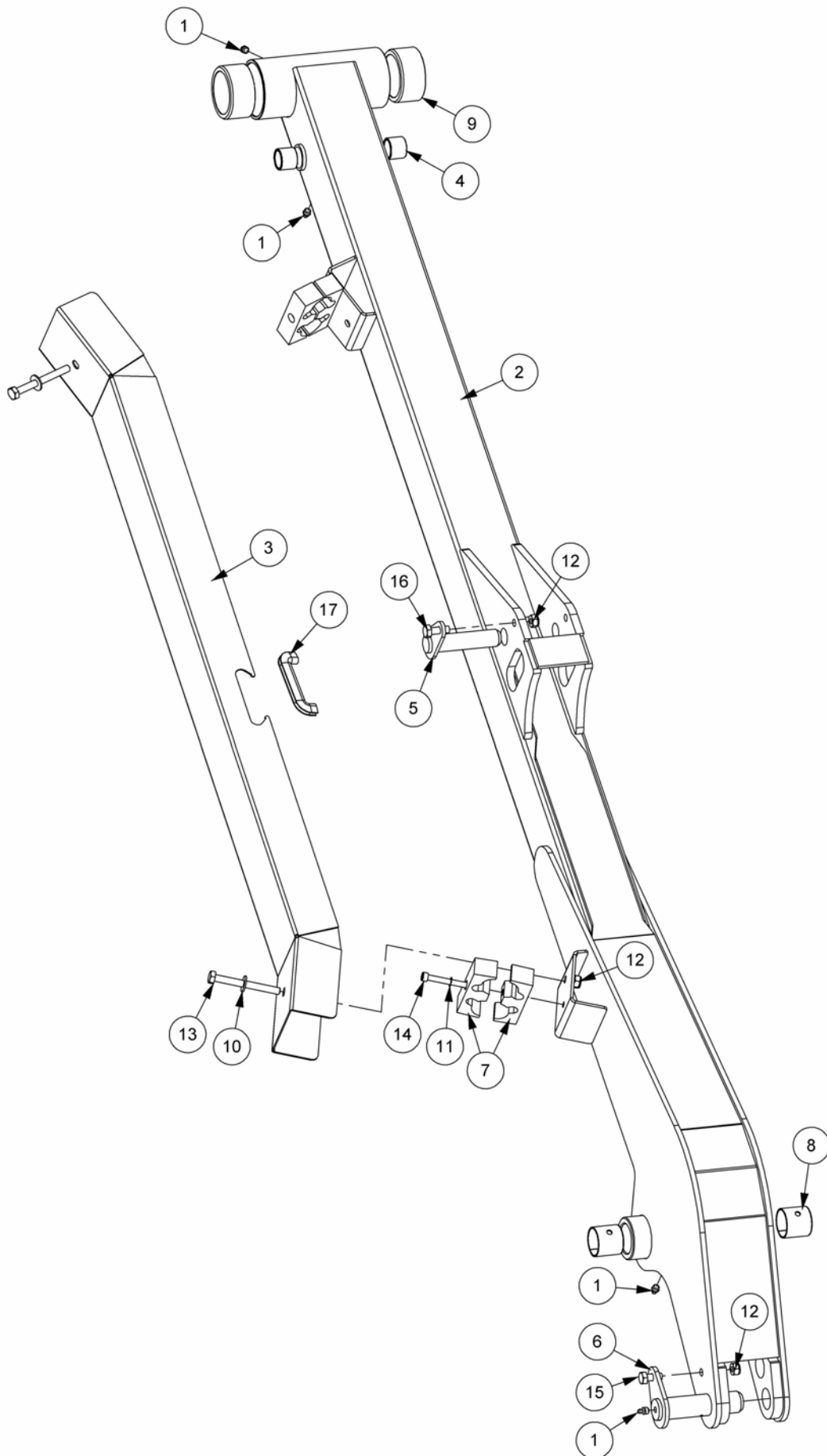
Module(s): 7150716 – L/H Build, 7150717 – R/H Build

<b>REF.</b>	<b>QTY.</b>	<b>PART No.</b>	<b>DESCRIPTION</b>
		<b>7150716</b>	<b>MAIN ARM ASSEMBLY - L/H Build</b>
		<b>7150717</b>	<b>MAIN ARM ASSEMBLY - R/H Build</b>
1	1	22499.02	TENSION LINK
2	1	22501.01	MAIN ARM - L/H Build
	1	22501.02	MAIN ARM - R/H Build
3	1	22522.01	HOSE GUARD
4	1	41692.11	PIN
5	1	41741.11	EDGING STRIP (110mm)
6	1	43324.13	PIN
7	1	43324.14	PIN
8	4	45630.01	HOSE CLAMP
9	4	6012032	BUSH
10	2	9100105	FLAT WASHER
11	2	9100206	SPRING WASHER
12	2	9100404	SHAKEPROOF WASHER
13	3	9163005	NYLOC NUT
14	2	9213205	BOLT
15	2	9243154	CAPSCREW
16	1	9313065	SETSCREW
17	2	9313066	SETSCREW

# DIPPER ARM ASSEMBLY

Module(s): 7150718 – L/H Build, 7150719 – R/H Build

**McCONEL**



**DIPPER ARM ASSEMBLY****McCONNEL**

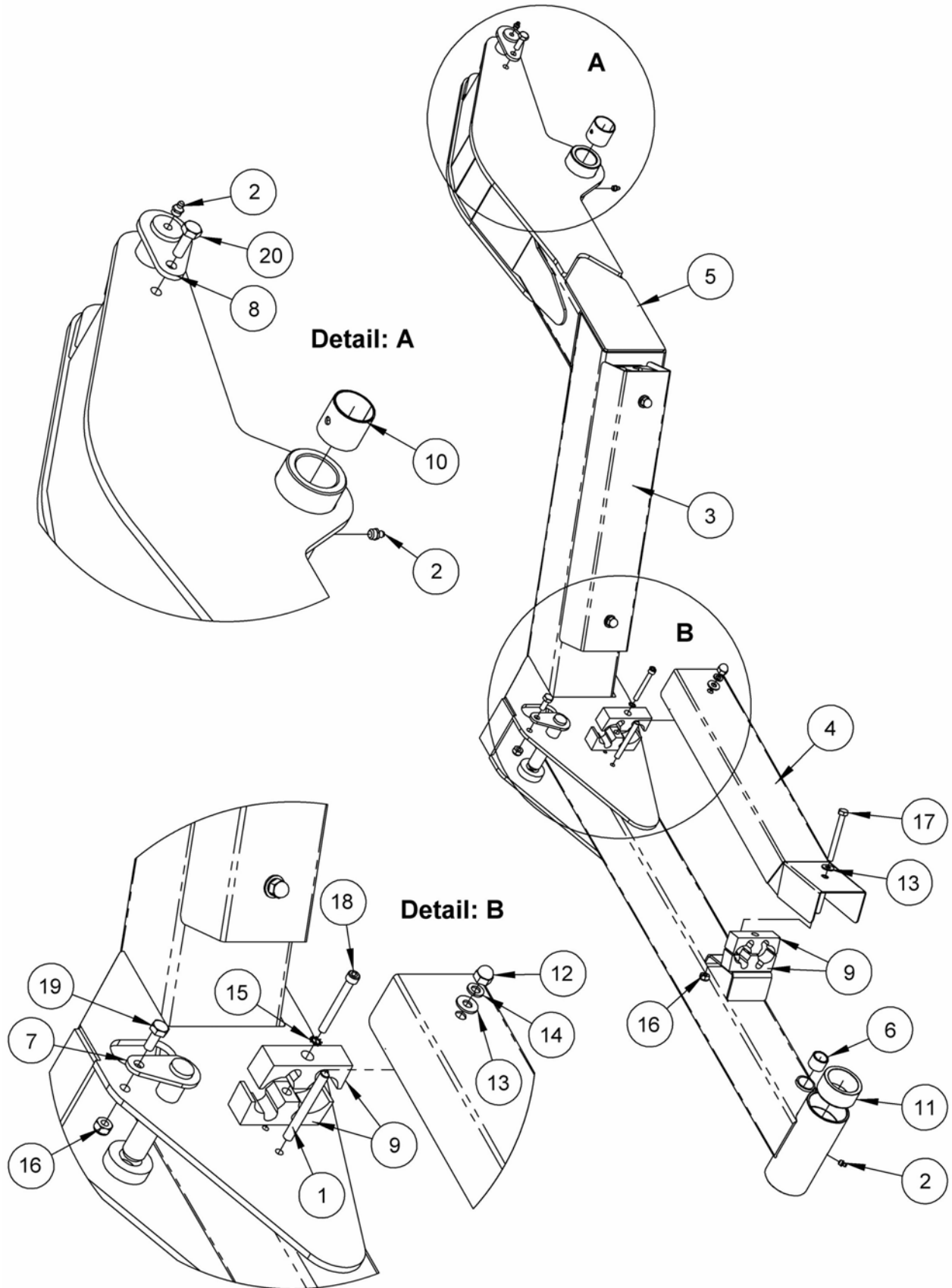
Module(s): 7150718 – L/H Build, 7150719 – R/H Build

<b>REF.</b>	<b>QTY.</b>	<b>PART No.</b>	<b>DESCRIPTION</b>
		<b>7150718</b>	<b>DIPPER ARM ASSEMBLY - L/H Build</b>
		<b>7150719</b>	<b>DIPPER ARM ASSEMBLY - R/H Build</b>
1	4	0901121	GREASE NIPPLE
2	1	22517.02	DIPPER ARM - L/H Build
	1	22517.03	DIPPER ARM - R/H Build
3	1	22522.03	HOSE GUARD
4	2	41690.01	BUSH
5	1	41691.01	PIN - ANGLE BASE END
6	1	41692.14	PIN
7	4	45630.01	HOSE CLAMP
8	2	7115208	BUSH
9	2	7136035	BUSH
10	2	9100105	FLAT WASHER
11	2	9100404	SHAKEPROOF WASHER
12	4	9163005	NYLOC NUT
13	2	9213205	BOLT
14	2	9243154	CAPSCREW
15	1	9313055	SETSCREW
16	1	9313065	SETSCREW
17	1	41741.16	EDGING STRIP (160mm)

# DIPPER ARM ASSEMBLY – Fixed Midcut Models

Module(s): L/H Build 7150744 (*illustrated*), R/H Build 7150745

# McCONEL





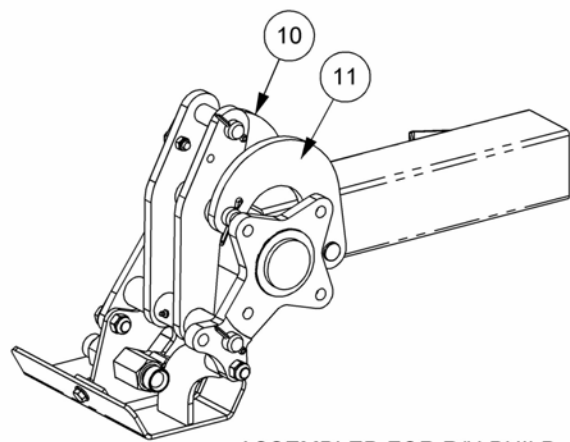
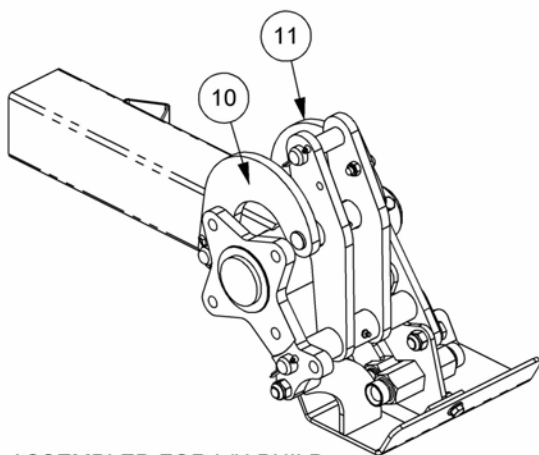
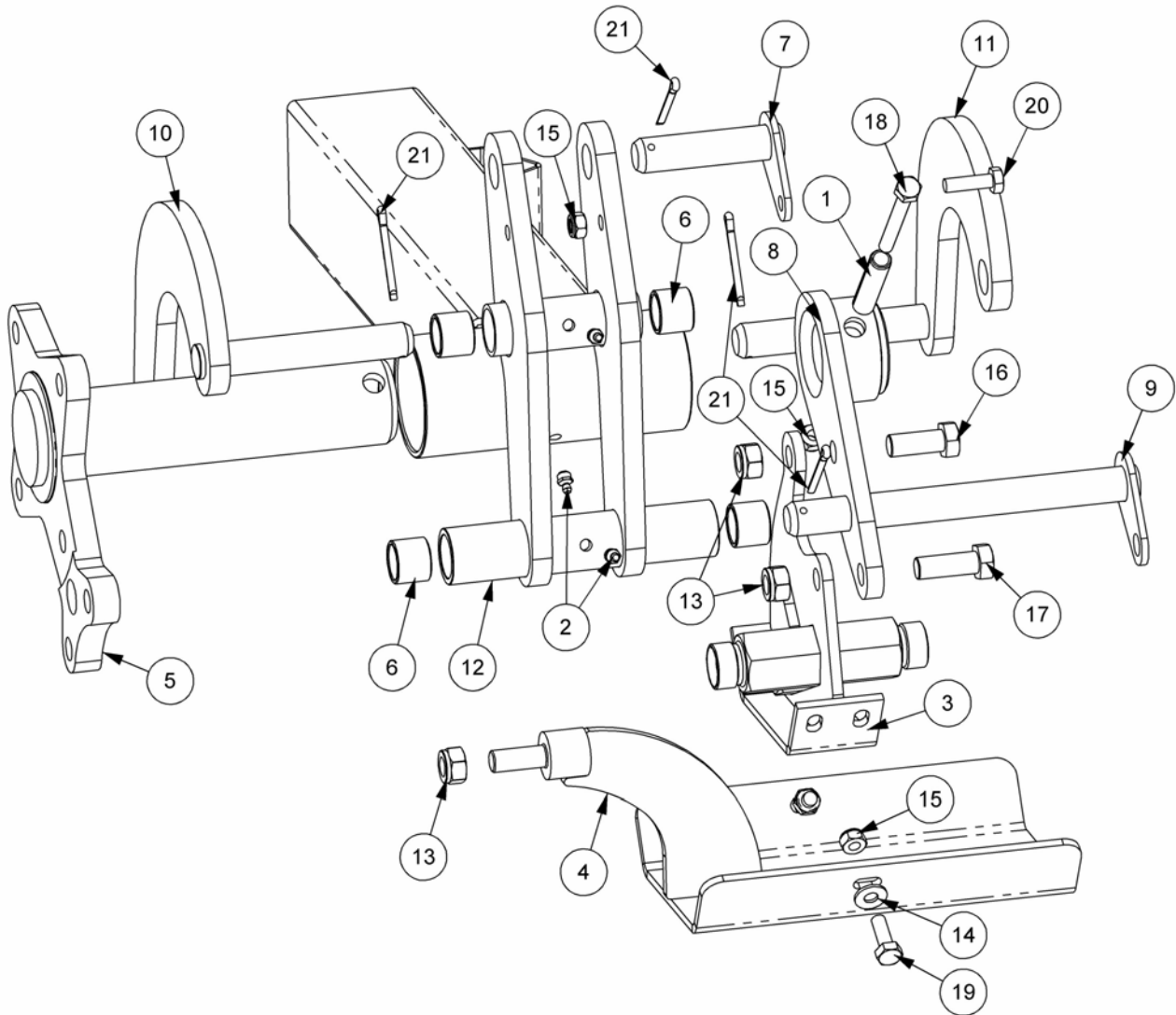
**DIPPER ARM ASSEMBLY – Fixed Midcut Models****McCONNEL**Module(s): L/H Build 7150744 (*illustrated*), R/H Build 7150745

<b>REF.</b>	<b>QTY.</b>	<b>PART No.</b>	<b>DESCRIPTION</b>
		<b>7150744</b>	<b>FIXED MIDCUT DIPPER ARM - L/H Build</b>
		<b>7150745</b>	<b>FIXED MIDCUT DIPPER ARM - R/H Build</b>
1	3	04.282.84	STUD
2	3	0901121	GREASE NIPPLE
3	1	22522.05	CENTRE HOSE GUARD
4	1	22522.06	HOSE GUARD
5	1	22557.03	MIDCUT DIPPER - L/H Build
	1	22557.04	MIDCUT DIPPER - R/H Build
6	2	41690.01	BUSH
7	1	41691.04	PIN
8	1	41692.14	PIN (C/W GREASE POINT)
9	8	45630.01	HOSE CLAMP
10	2	7115208	BUSH
11	2	7136035	BUSH
12	3	9100025	DOME NUT
13	4	9100105	FLAT WASHER
14	3	9100205	SPRING WASHER
15	4	9100404	SHAKEPROOF WASHER
16	3	9163005	NYLOC NUT
17	1	9213205	BOLT
18	4	9243154	CAPSCREW
19	1	9313055	SETSCREW
20	1	9313065	SETSCREW

# HEAD ANGLING MECHANISM

**McCONEL**

Module(s): 7170703



**HEAD ANGLING MECHANISM****McCONNEL**

Module(s): 7170703

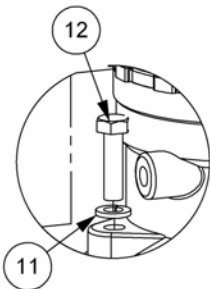
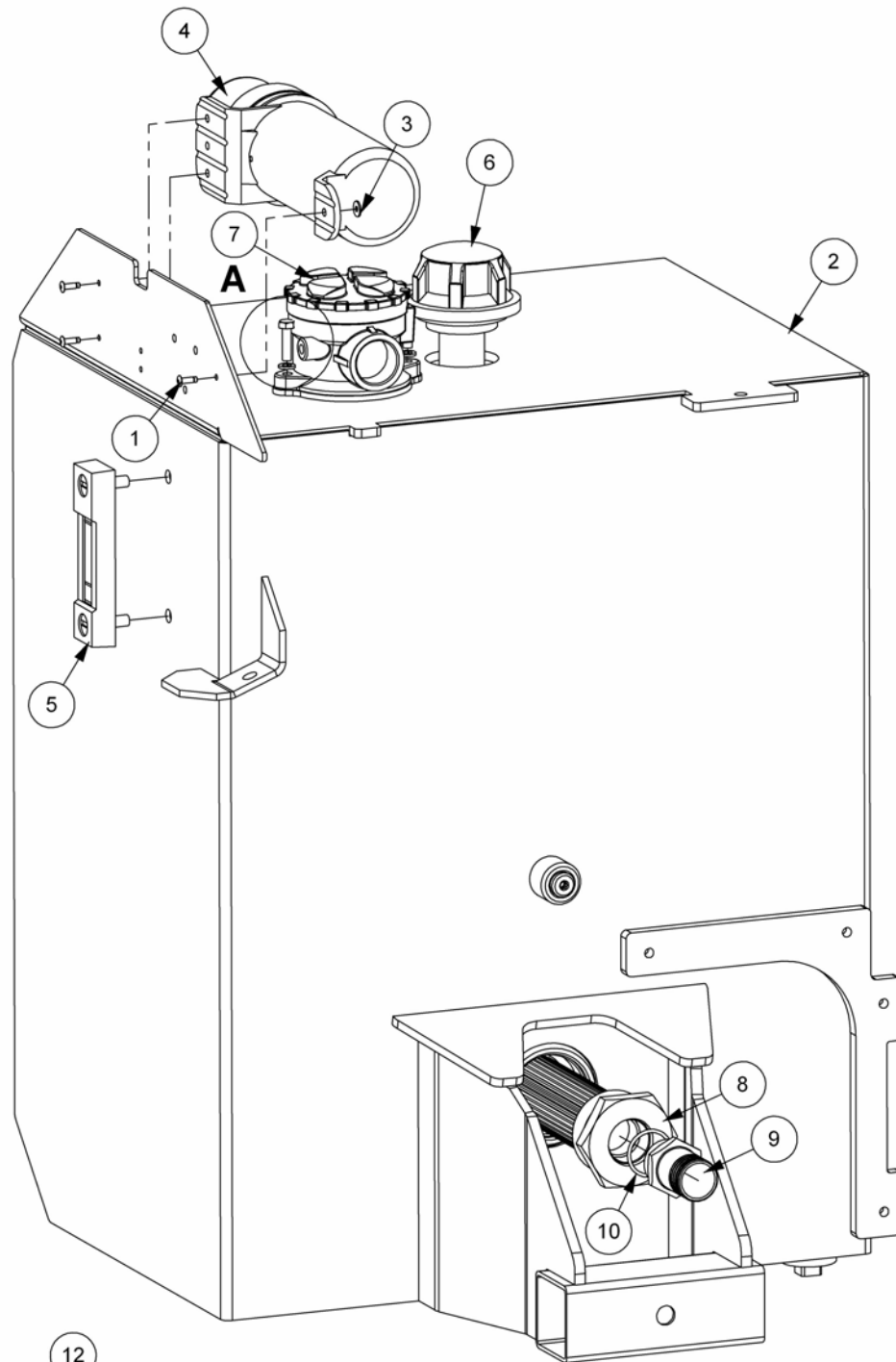
<b>REF.</b>	<b>QTY.</b>	<b>PART No.</b>	<b>DESCRIPTION</b>
		<b>7170703</b>	<b>HEAD ANGLING MECHANISM</b>
1	1	0423548	SPRING DOWEL
2	3	0901121	GREASE NIPPLE
3	1	21261.02	JUNCTION BRACKET (BSP)
4	1	21262.02	HOSE TRAY
5	1	21263.02	PIVOT TUBE
6	4	41690.01	BUSH
7	1	41693.01	PIN - ANGLE ROD END
8	1	42648.02	JAW PLATE
9	1	7192009	PIN - SLAVE LINK
10	1	7450250	RADIUS ARM - REAR
11	1	7450251	RADIUS ARM - FRONT
12	1	7450252	SLAVE LINK
13	3	9100028	SELF LOCKING NUT
14	2	9100105	FLAT WASHER
15	4	9163005	NYLOC NUT
16	1	30.073.25	BOLT
17	1	9200028	BOLT
18	1	9213185	BOLT
19	2	9313065	SETSCREW
20	1	9313075	SETSCREW
21	4	9501507	SPLIT PIN

**NOTE: The Head Angling Mechanism for L/H & R/H builds are the same but differ in the orientation of the assembled components.**

# HYDRAULIC TANK ASSEMBLY

Module(s): 7148751 – L/H Build, 7148752 – R/H Build

**McCONEL**



**A**

# HYDRAULIC TANK ASSEMBLY

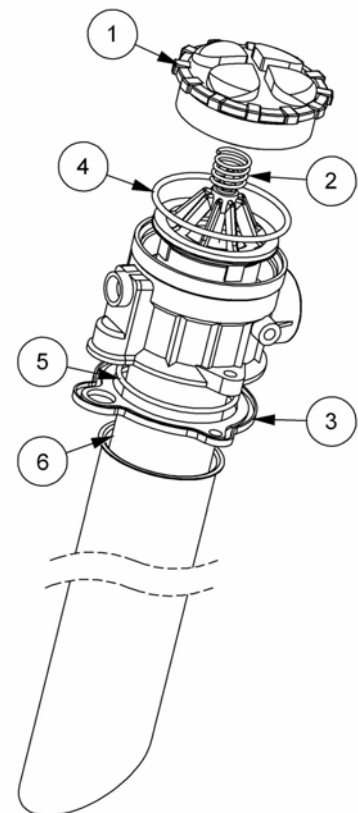
**McCONNEL**

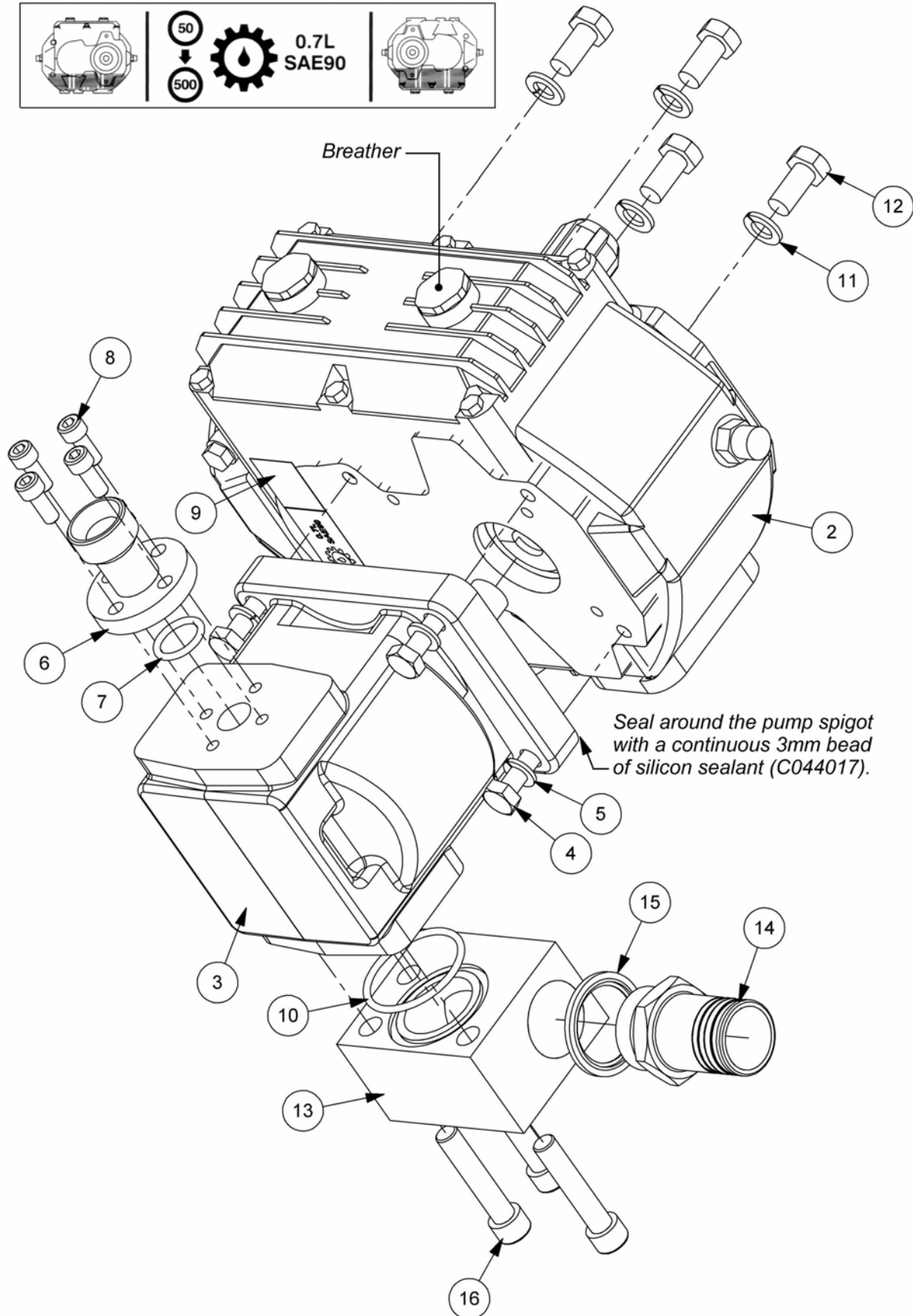
Module(s): 7148751 – L/H Build, 7148752 – R/H Build

REF.	QTY.	PART NO.	DESCRIPTION
		<b>7148751</b>	<b>HYDRAULIC TANK ASSEMBLY - L/H Build</b>
		<b>7148752</b>	<b>HYDRAULIC TANK ASSEMBLY - R/H Build</b>
1	3	21612.02	POP RIVET
2	1	22470.01	TANK - L/H Build
	1	22470.02	TANK - R/H Build
3	3	22530.01	RIVET WASHER
4	1	46505.01	LITERATURE HOLDER
5	1	8401048	LEVEL GAUGE
6	1	8401050	BREATHER
7	1	8401088	FILTER ASSEMBLY
8	1	8401097	SUCTION STRAINER
9	1	8581260	ADAPTOR
10	1	8700784	O RING
11	2	9100204	SPRING WASHER
12	2	9313064	SETSCREW

## SERVICE PARTS FOR FILTER ASSEMBLY 8401088

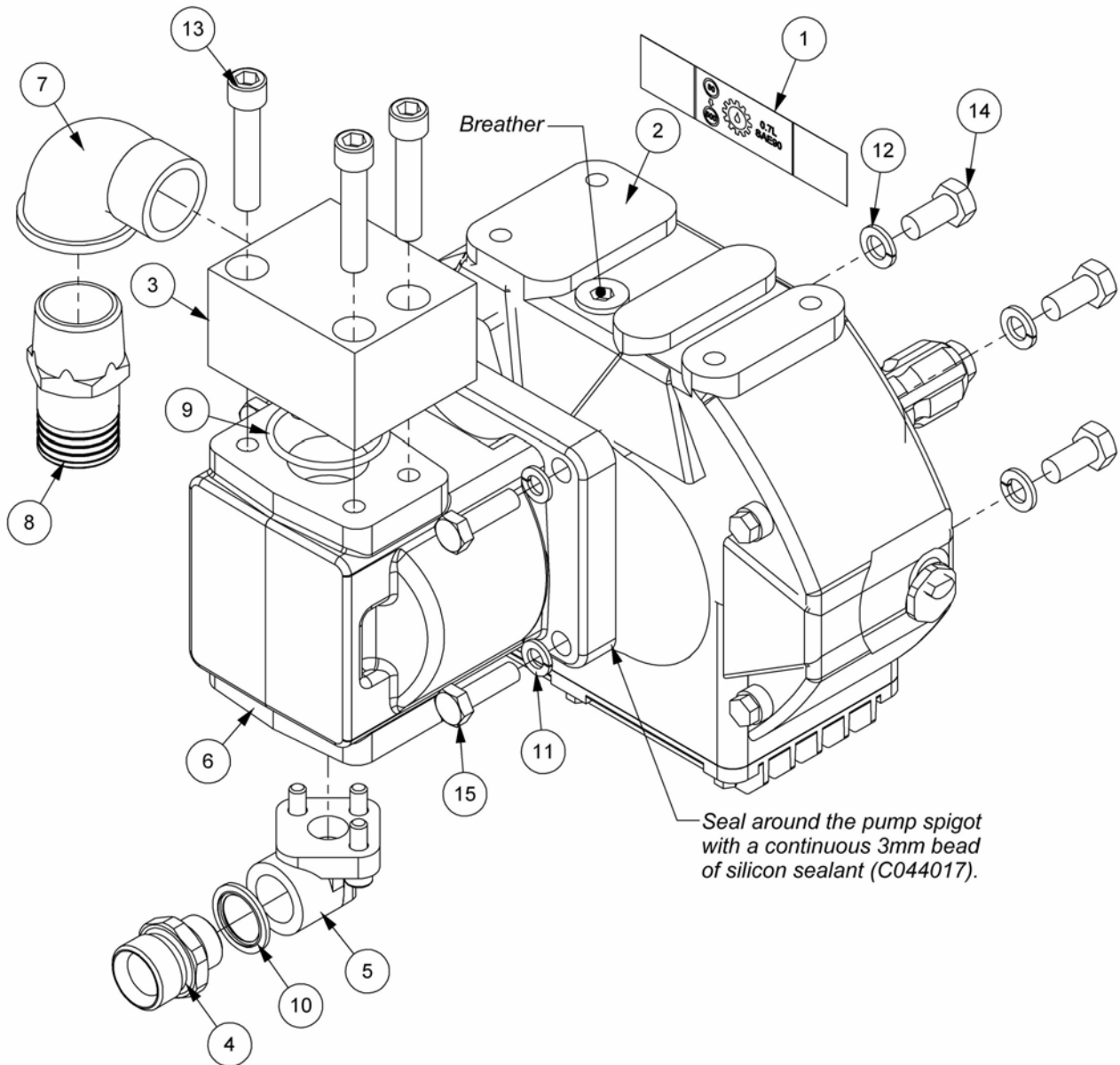
1	1	212.013.04	FILLER CAP
2	1	212.013.05	SPRING
3	1	212.013.06	FILTER SEAL
4	1	212.013.07	O RING (FILLER CAP)
5	1	212.013.08	O RING (FILLER HOUSING)
6	1	8401089	FILTER ELEMENT (25 Micron)





Module(s): 8013498

REF.	QTY.	PART NO.	DESCRIPTION
		<b>8013498</b>	<b>SI PUMP &amp; GEARBOX ASSEMBLY - L/H Build</b>
1	1	8600523	O RING
2	1	21931.01	GEARBOX - CAST IRON 1:4.25 (13T SPLINE)
3	1	8201686	PUMP - SI
4	4	9313075	SETSCREW
5	4	9100205	SPRING WASHER
6	1	8013090	PUMP CONNECTION
7	1	8600117	O RING
8	4	9300147	CAPSCREW
9	1	1290092	DECAL - GEARBOX
10	1	8600304	O RING
11	4	9100206	SPRING WASHER
12	4	9313056	SETSCREW
13	1	42142.01	SUCTION BLOCK - PARALLEL
14	1	8581260	ADAPTOR - LP
15	1	8650109	BONDED SEAL
16	3	9243126	CAPSCREW

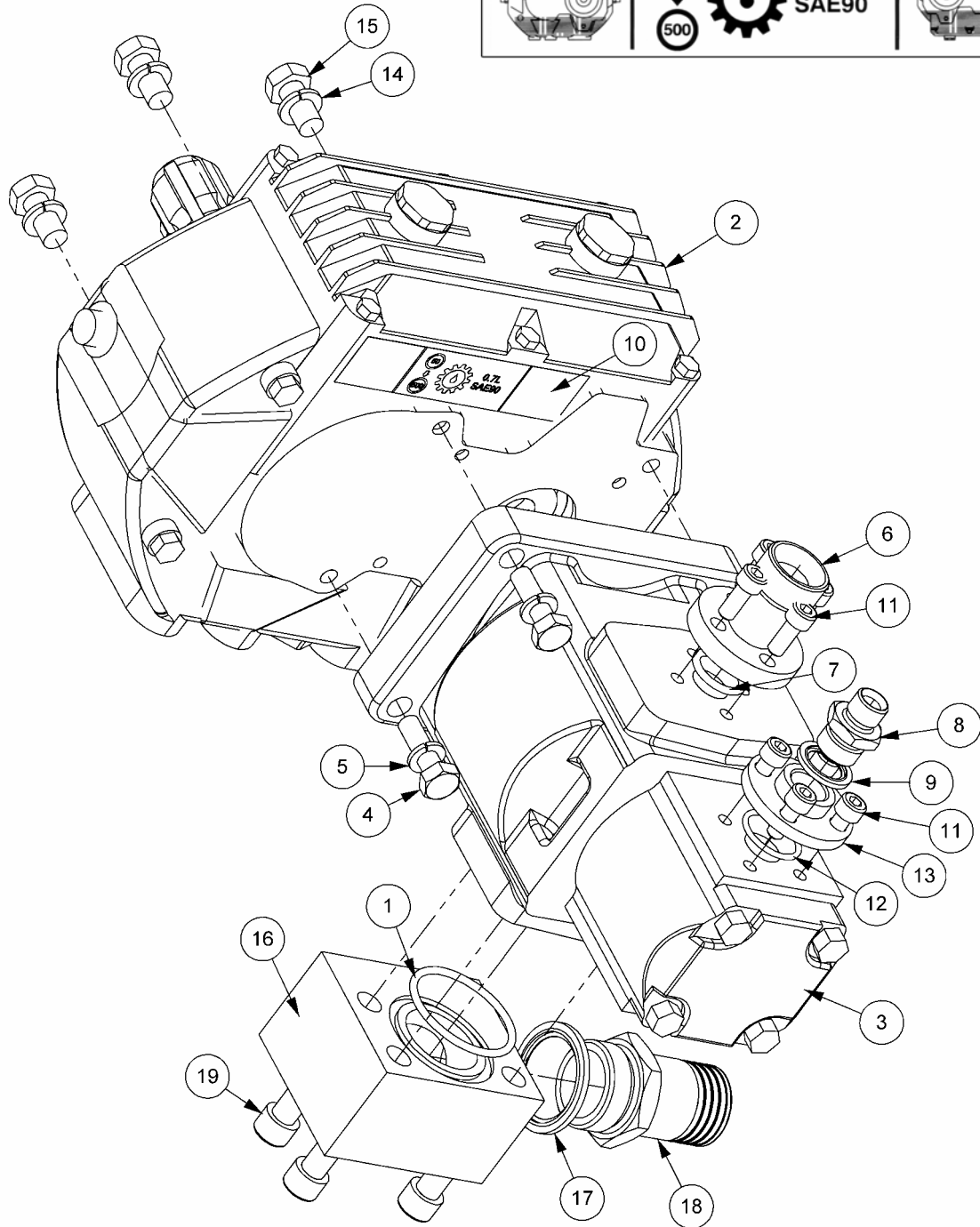




Module(s): 8013608

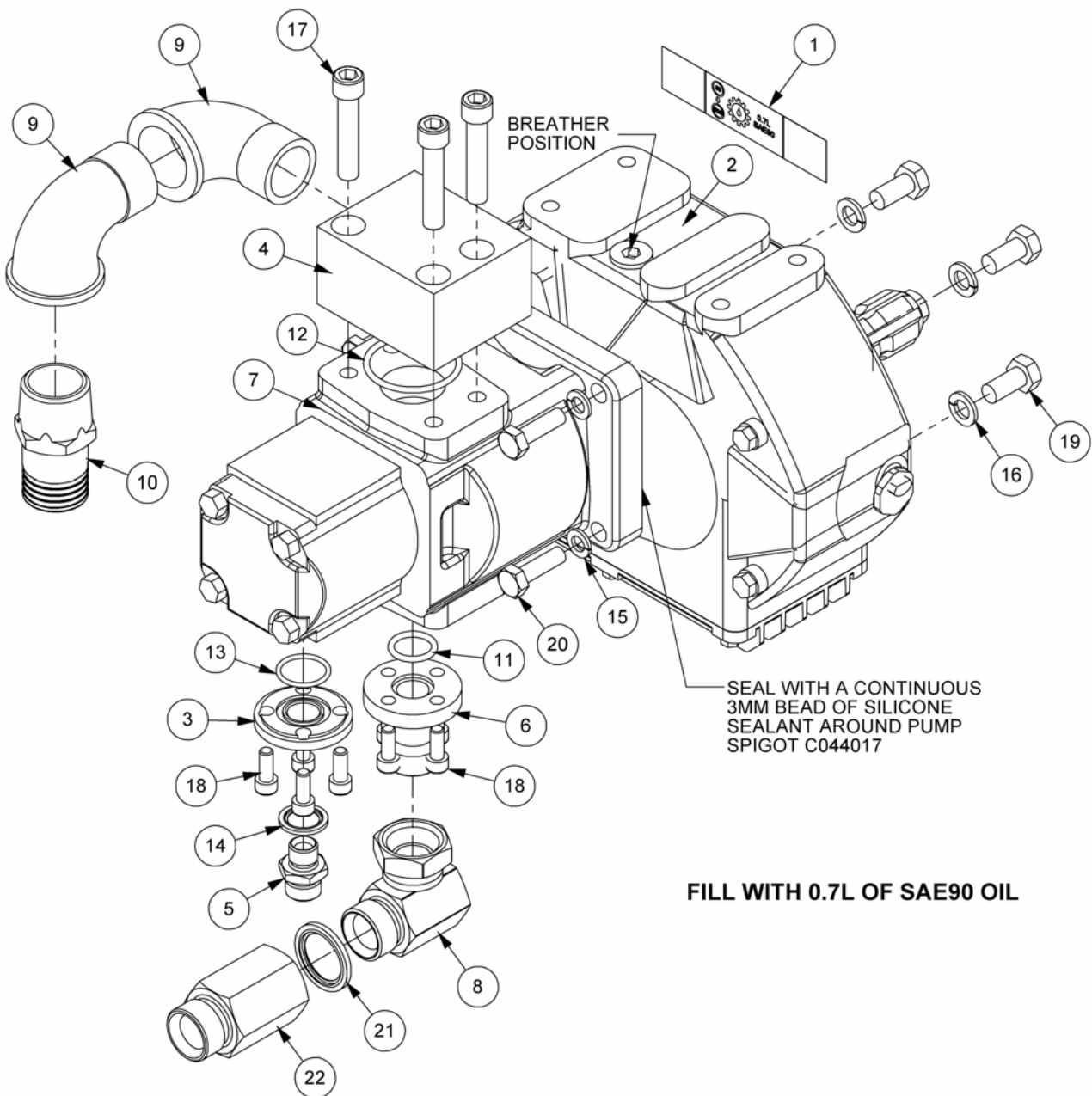
REF.	QTY.	PART NO.	DESCRIPTION
		<b>8013608</b>	<b>SI PUMP &amp; GEARBOX ASSEMBLY - R/H Build</b>
1	1	1290092	DECAL - GEARBOX
2	1	21931.01	GEARBOX - CAST IRON 1:4.25 (13T SPLINE)
3	1	42142.02	BLOCK - SUCTION TAPER
4	1	8002086	ADAPTOR
5	1	8005052	PRESSURE CONNECTION KIT
6	1	8201686	PUMP - SI
7	1	8581261	ADAPTOR
8	1	8581367	ADAPTOR - LP
9	1	8600304	O RING
10	1	8650106	BONDED SEAL
11	4	9100205	SPRING WASHER
12	4	9100206	SPRING WASHER
13	3	9243126	CAPSCREW
14	4	9313056	SETSCREW
15	4	9313075	SETSCREW

Module(s): 8013500



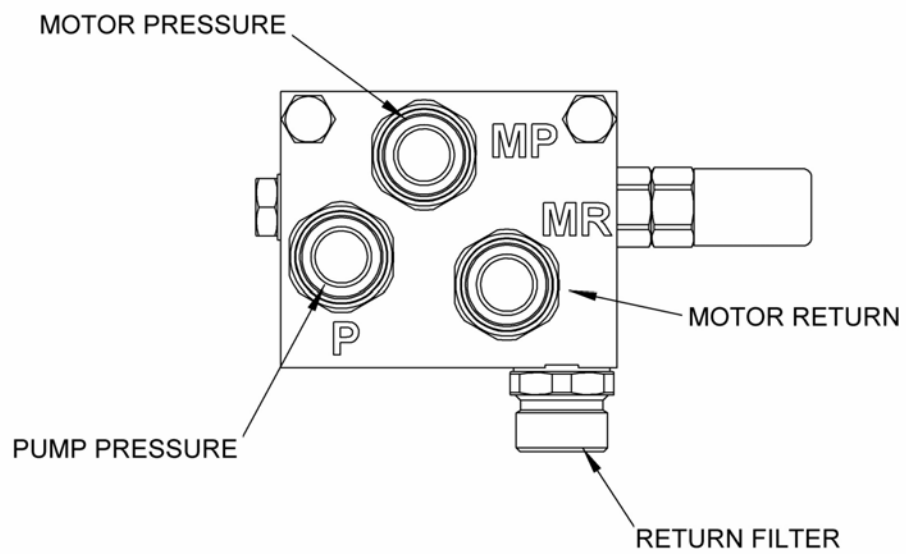
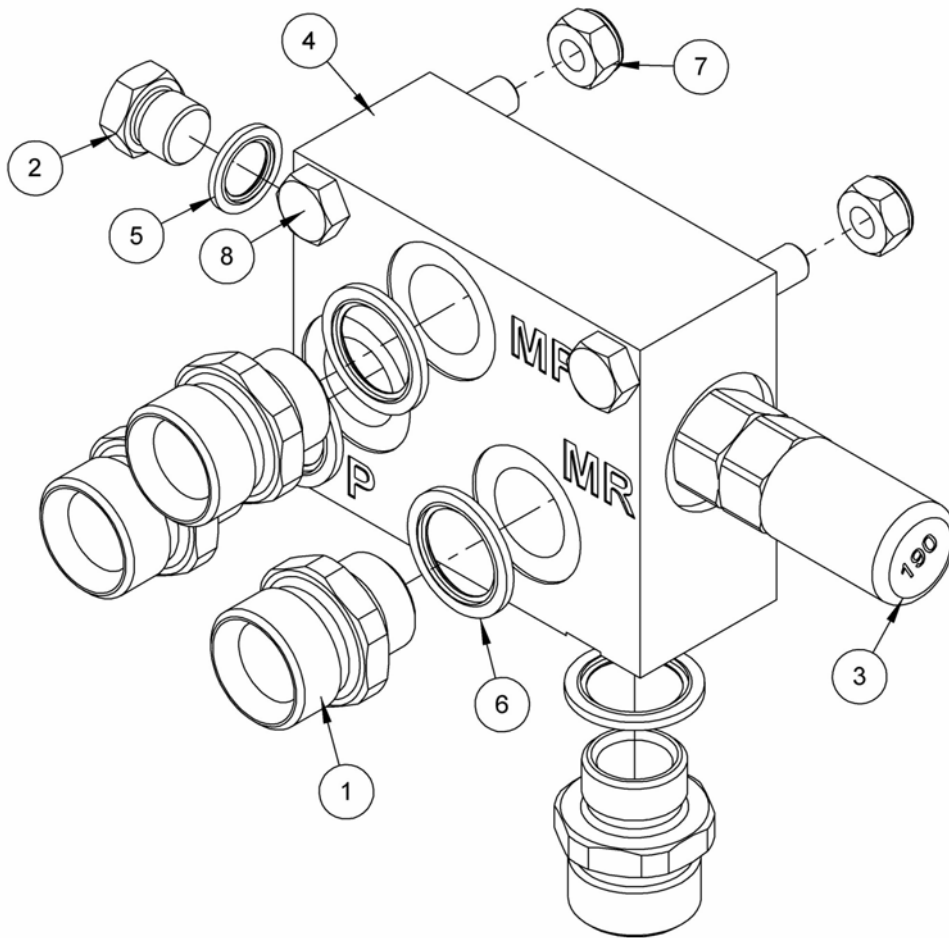
Module(s): 8013500

REF.	QTY.	PART NO.	DESCRIPTION
		<b>8013500</b>	<b>TI PUMP &amp; GEARBOX ASSEMBLY - L/H Build</b>
1	1	21931.01	GEARBOX 1:4.25 13T SPLINE
2	1	8201700	TANDEM PUMP ASSEMBLY (TI)
	1	8201165	FRONT PUMP (LARGE)
	1	8201728	REAR PUMP (SMALL)
	1	8201729	COUPLING (MM)
3	1	8600304	O RING
4	4	9313075	SETSCREW
5	4	9100205	SPRING WASHER
6	1	8013090	PUMP CONNECTION
7	1	8600117	O RING
8	1	6000112	ADAPTOR
9	1	8650104	BONDED SEAL
10	1	1290092	GEARBOX DECAL
11	8	9300147	CAPSCREW
12	1	8600405	O RING
13	1	42029.01	PORT PLATE
14	4	9100206	SPRING WASHER
15	4	9313056	SETSCREW
16	1	42142.01	BLOCK - SUCTION PARALLEL
17	1	8650109	BONDED SEAL
18	1	8581260	ADAPTOR
19	3	9243126	CAPSCREW



Module(s): 8013609

REF.	QTY.	PART NO.	DESCRIPTION
		<b>8013609</b>	<b>TI PUMP &amp; GEARBOX ASSEMBLY - R/H Build</b>
1	1	1290092	DECAL - GEARBOX
2	1	21931.01	GEARBOX - CAST IRON 1:4.25 (13T SPLINE)
3	1	42029.01	PORT PLATE
4	1	42142.02	BLOCK - SUCTION TAPER
5	1	6000112	ADAPTOR
6	1	8013090	PUMP CONNECTION
7	1	8201700	TANDEM PUMP ASSEMBLY (TI)
	1	8201165	FRONT PUMP (LARGE)
	1	8201728	REAR PUMP (SMALL)
	1	8201729	COUPLING (MM)
8	1	8581212	BLOCK ELBOW - 90°
9	2	8581261	ADAPTOR
10	1	8581367	ADAPTOR - LP
11	1	8600117	O RING
12	1	8600304	O RING
13	1	8600405	O RING
14	1	8650104	BONDED SEAL
15	4	9100205	SPRING WASHER
16	4	9100206	SPRING WASHER
17	3	9243126	CAPSCREW
18	8	9300147	CAPSCREW
19	4	9313056	SETSCREW
20	4	9313075	SETSCREW
21	1	8650108	BONDED SEAL
22	1	8581211	EXTENSION ADAPTOR



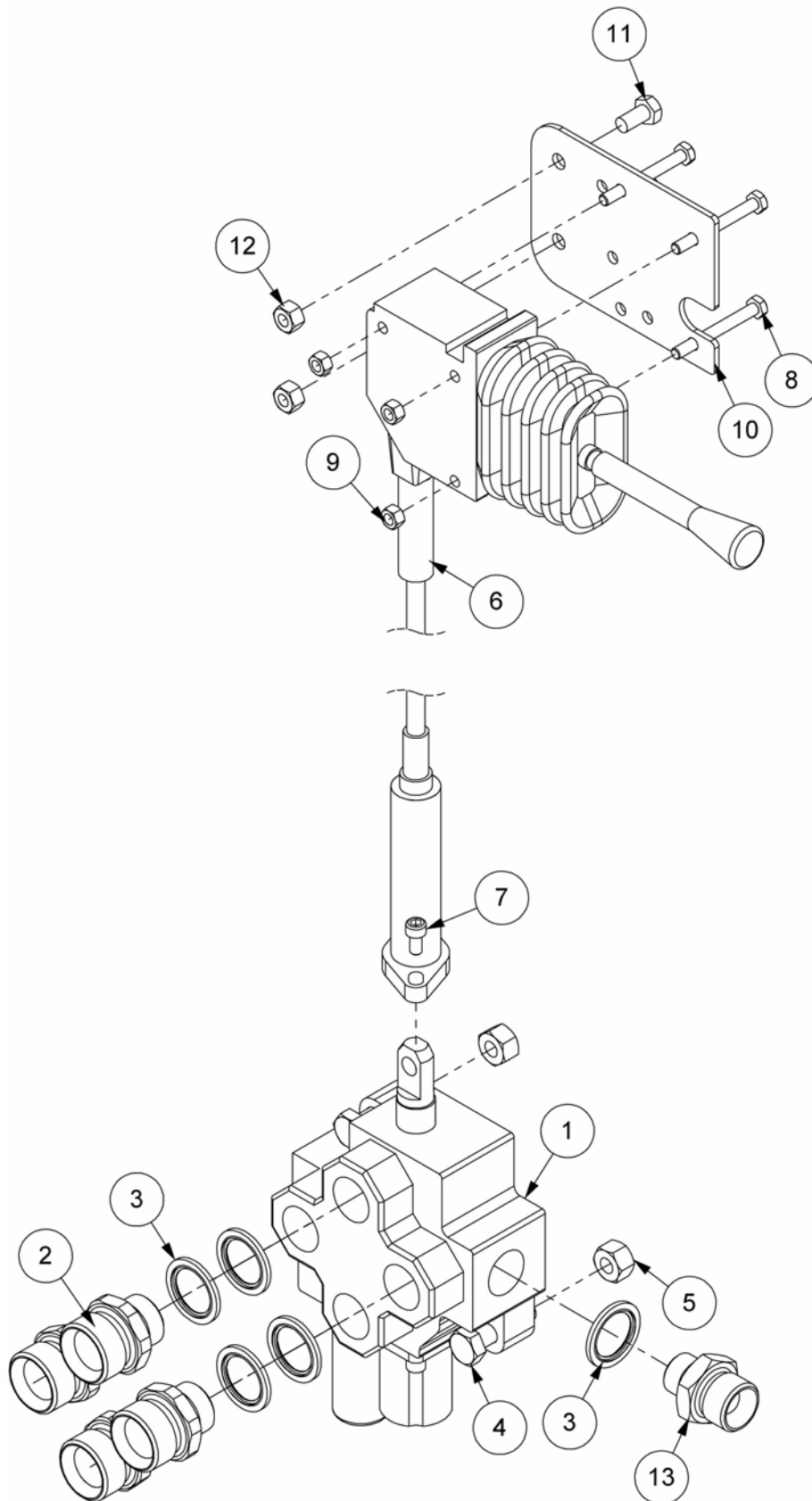
Module(s): 7150709

REF.	QTY.	PART No.	DESCRIPTION
		<b>7150709</b>	<b>ROTOR RELIEF VALVE - SI Models</b>
1	4	8002086	ADAPTOR
2	1	8003001	ADAPTOR PLUG
3	1	8125108	RELIEF VALVE - 190 BAR
4	1	8125352	ROTOR RELIEF BLOCK
5	1	8650103	BONDED SEAL
6	4	8650106	BONDED SEAL
7	2	9163005	NYLOC NUT
8	2	9213135	BOLT

# CABLE ROTOR CONTROL VALVE ASSEMBLY

Module(s): 7150736 – L/H Build (*Illustrated*), 7150738 – R/H Build

**McCONEL**



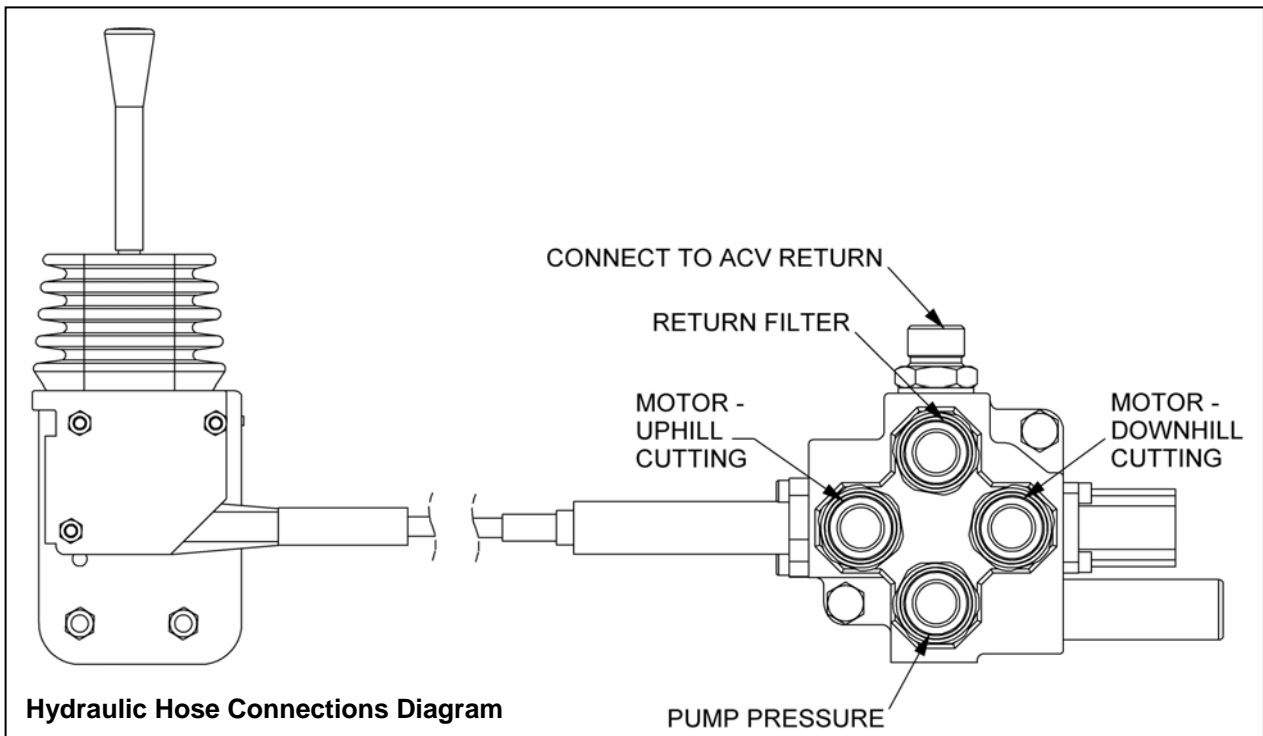


# CABLE ROTOR CONTROL VALVE ASSEMBLY

**McCONEL**

Module(s): 7150736 – L/H Build (*Illustrated*), 7150738 – R/H Build

REF.	QTY.	PART No.	DESCRIPTION
		<b>7150736</b>	<b>CABLE RCV ASSEMBLY - L/H Build</b>
		<b>7150738</b>	<b>CABLE RCV ASSEMBLY - R/H Build</b>
1	1	8125381	ROTOR CONTROL VALVE (190BAR) - L/H Build
	1	8125356	ROTOR CONTROL VALVE (190BAR) - R/H Build
2	4	8002086	ADAPTOR
3	5	8650106	BONDED SEAL
4	2	9213085	BOLT
5	2	9143005	SELF-LOCKING NUT
6	1	8017065	ROTOR CONTROL HEAD & CABLE (2.5m)
7	2	9343023	CAPSCREW
8	3	9213113	BOLT
9	3	9143003	SELF-LOCKING NUT
10	1	7650282	CONTROL CABLE BRACKET
11	2	9313034	SETSCREW
12	2	9113004	NUT
13	1	8581130	ADAPTOR



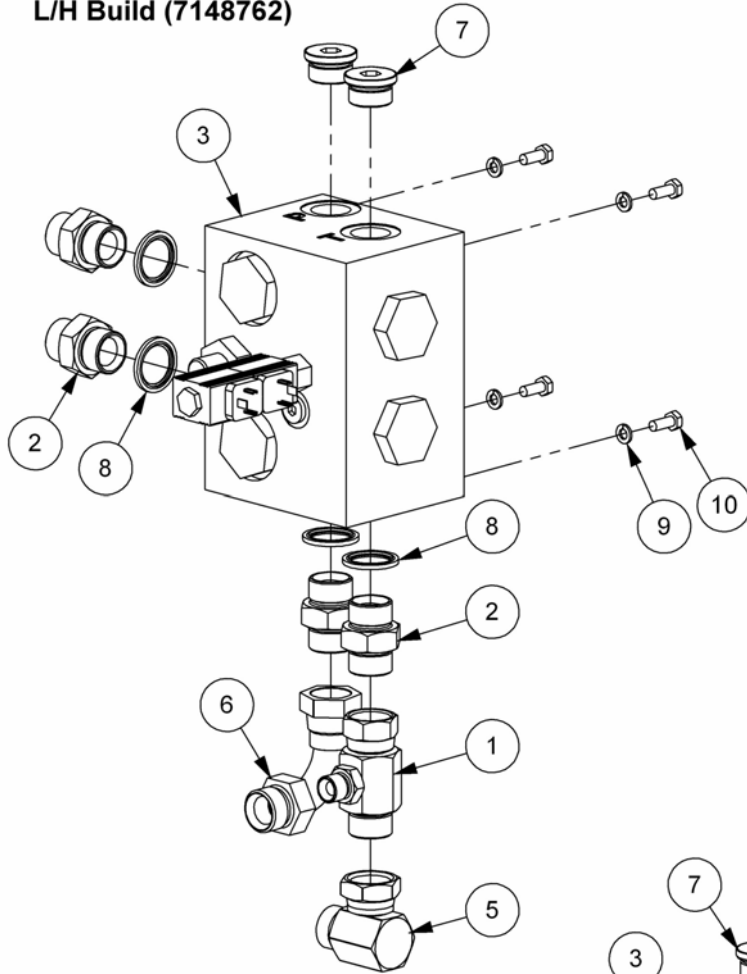
**Hydraulic Hose Connections Diagram**

# ELECTRIC ROTOR CONTROL VALVE ASSEMBLY

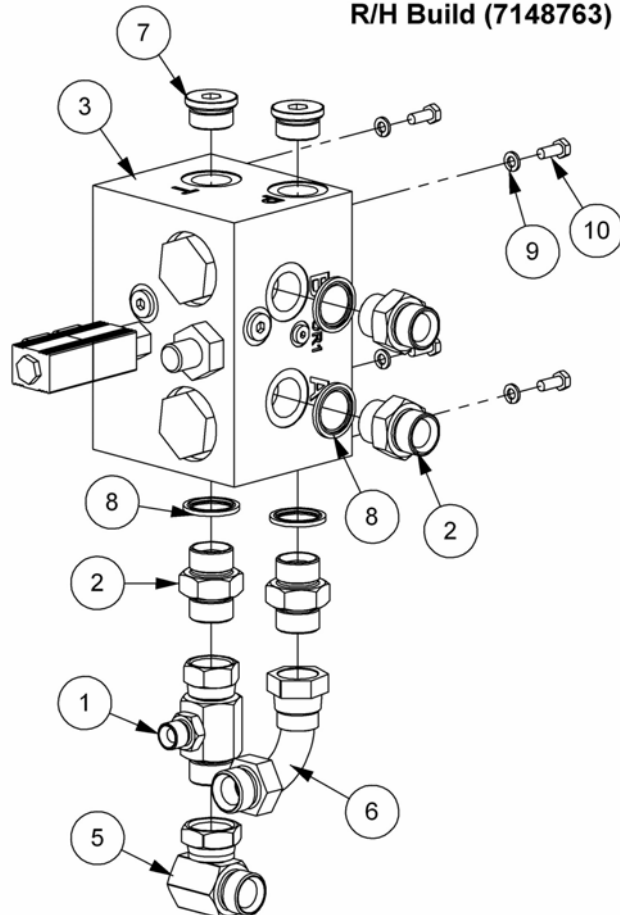
**McCONEL**

Module(s): 7148762 – L/H Build, 7148763 – R/H Build

## L/H Build (7148762)



## R/H Build (7148763)

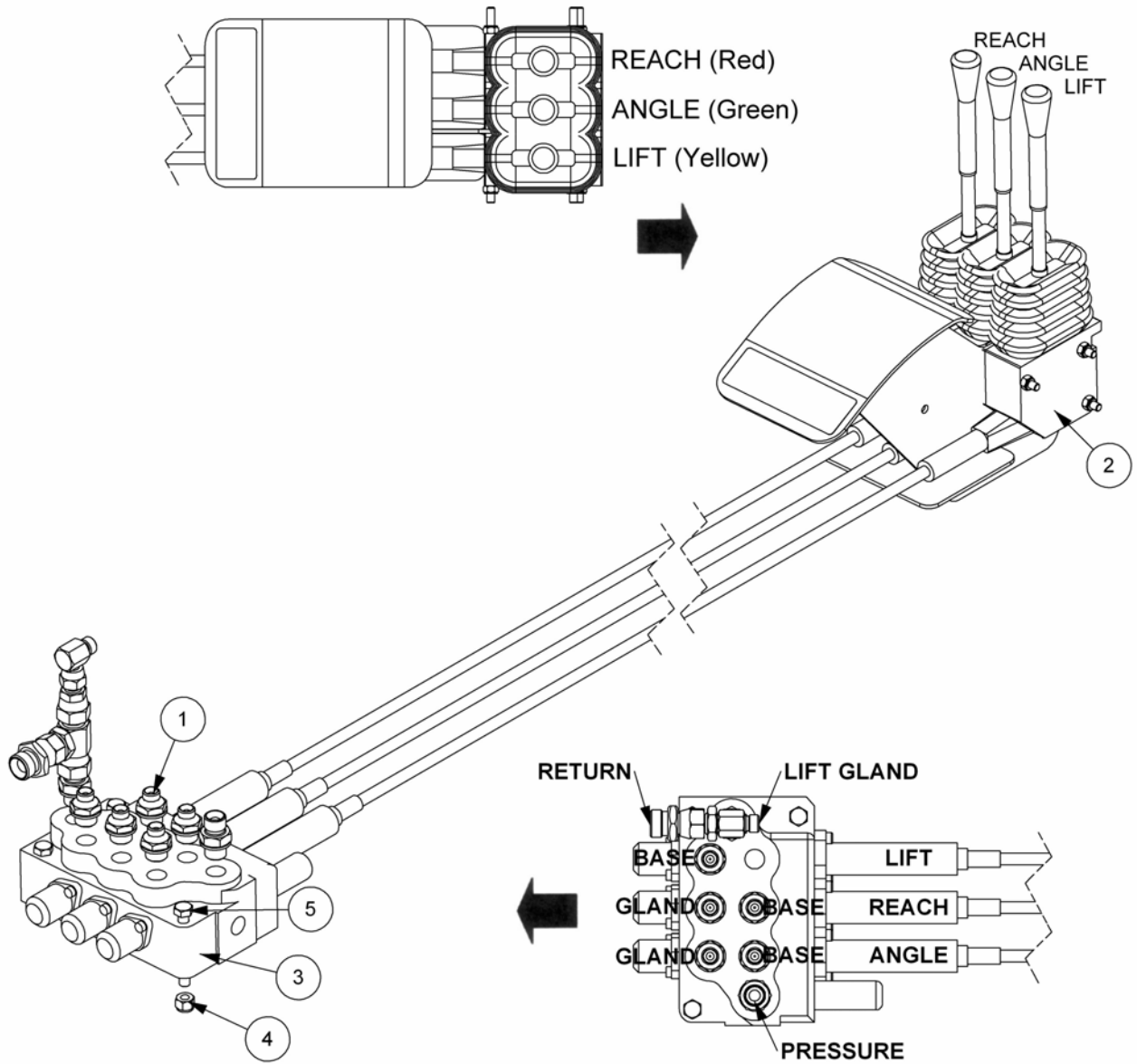


**ELECTRIC ROTOR CONTROL VALVE ASSEMBLY****McCONNEL**

Module(s): 7148762 – L/H Build, 7148763 – R/H Build

<b>REF.</b>	<b>QTY.</b>	<b>PART NO.</b>	<b>DESCRIPTION</b>
		<b>7148762</b>	<b>ELECTRIC RCV ASSEMBLY - L/H Build</b>
		<b>7148763</b>	<b>ELECTRIC RCV ASSEMBLY - R/H Build</b>
1	1	04.056.34	ADAPTOR TEE
2	4	05.434.01	ADAPTOR
3	1	42768.01	ELECTRIC RCV - <i>comprising of:</i>
	1	8600920	O RING
	1	42768.32	LOGIC ELEMENT
	1	42768.35	SOLENOID
	1	42768.36	ORIFICE PLUG
	1	42768.40	MANIFOLD
	1	42768.41	RELIEF VALVE
	1	42768.43	SOLENOID COIL
	1	42768.45	RELIEF VALVE
	1	42768.49	CARTRIDGE SPOOL VALVE
	1	8699260	SEAL KIT
4	1	43177.26	LOOM - ROTOR REVERSE
5	1	8581212	BLOCK ELBOW (90°)
6	1	8581264	90° SWEPT ADAPTOR
7	2	8581389	PLUG
8	4	8650108	BONDED SEAL
9	4	9100204	SPRING WASHER
10	4	9313044	SETSCREW

**Note:****L/H & R/H Builds use identical components and differ only in their assembled location.**

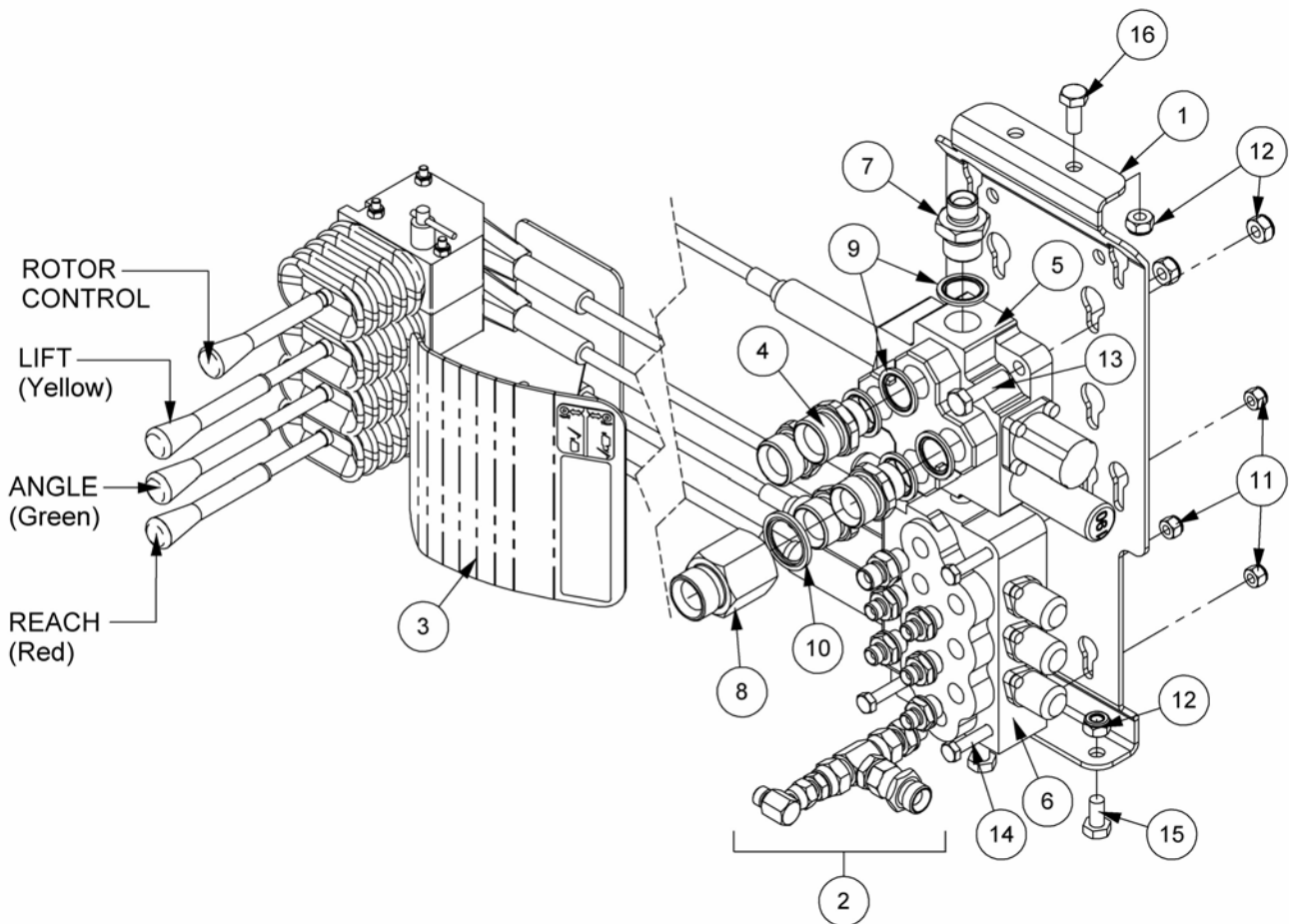


REF.	QTY.	PART NO.	DESCRIPTION
		<b>7148772</b>	<b>SI CABLE CONTROL VALVE ASSEMBLY</b>
1	1	22524.18	ADAPTOR KIT
2	1	22595.01	3 LEVER CABLE CONTROL KIT (3.0m)
3	1	8130334	3 SPOOL CONTROL VALVE
4	3	9163004	NYLOC NUT
5	3	9213134	BOLT

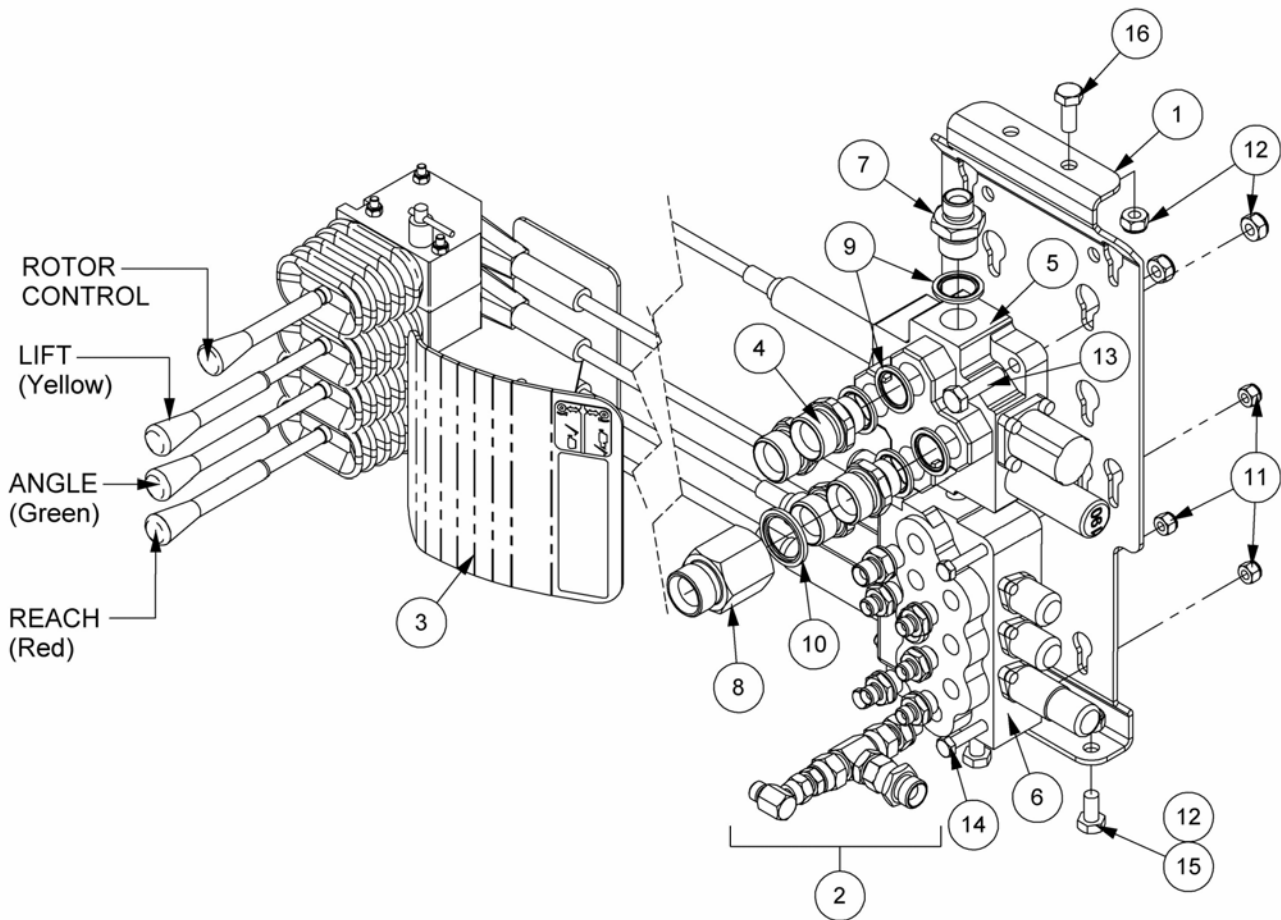
# CABLE TI ACV & RCV ASSEMBLIES

# McCONEL

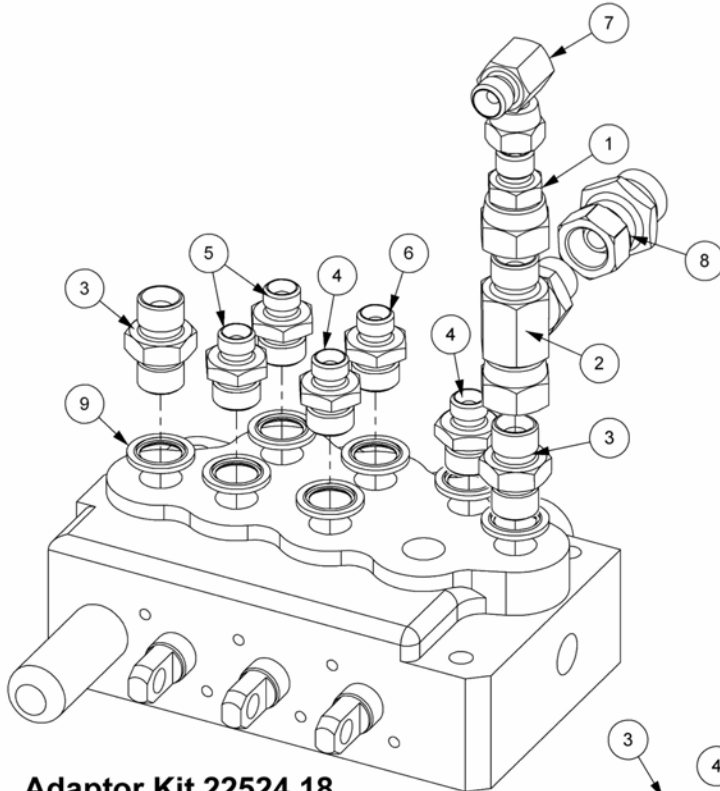
Module(s): 7148792 – L/H Build (*Illustrated*), 7148793 – R/H Build



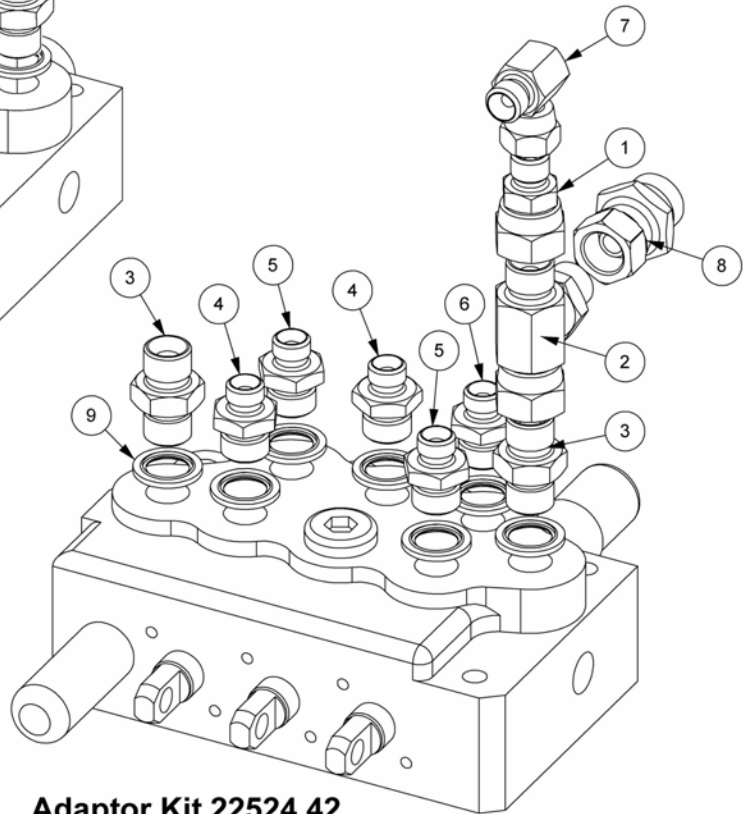
REF.	QTY.	PART NO.	DESCRIPTION
		<b>7148792</b>	<b>CABLE TI ACV &amp; RCV ASSEMBLY - L/H Build</b>
		<b>7148793</b>	<b>CABLE TI ACV &amp; RCV ASSEMBLY - R/H Build</b>
1	1	22506.02	VALVE MOUNTING
2	1	22524.18	ADAPTOR KIT
3	1	22595.05	4 LEVER CABLE CONTROL KIT
4	4	8002086	ADAPTOR
5	1	8125381	ROTOR CONTROL VALVE (190BAR) - L/H Build
	1	8125356	ROTOR CONTROL VALVE (190BAR) - R/H Build
6	1	8130334	3 SPOOL CONTROL VALVE
7	1	8581130	ADAPTOR
8	1	8581241	EXTENSION ADAPTOR
9	5	8650106	BONDED SEAL
10	1	8650108	BONDED SEAL
11	3	9163004	NYLOC NUT
12	5	9163005	NYLOC NUT
13	2	9213085	BOLT
14	3	9213134	BOLT
15	2	9313045	SETSCREW
16	1	9313055	SETSCREW



REF.	QTY.	PART NO.	DESCRIPTION
		<b>7148798</b>	<b>CABLE TI ACV (A/F) &amp; RCV ASSEMBLY - L/H Build</b>
1	1	22506.02	VALVE MOUNTING
2	1	22524.42	ADAPTOR KIT
3	1	22595.05	4 LEVER CABLE CONTROL KIT
4	4	8002086	ADAPTOR
5	1	8125381	ROTOR CONTROL VALVE (190BAR) - L/H Build
6	1	8130260	3 SPOOL CONTROL VALVE (WITH ANGLE FLOAT)
7	1	8581130	ADAPTOR
8	1	8581241	EXTENSION ADAPTOR
9	5	8650106	BONDED SEAL
10	1	8650108	BONDED SEAL
11	3	9163004	NYLOC NUT
12	5	9163005	NYLOC NUT
13	2	9213085	BOLT
14	3	9213134	BOLT
15	2	9313045	SETSCREW
16	1	9313055	SETSCREW



**Adaptor Kit 22524.18**



**Adaptor Kit 22524.42**

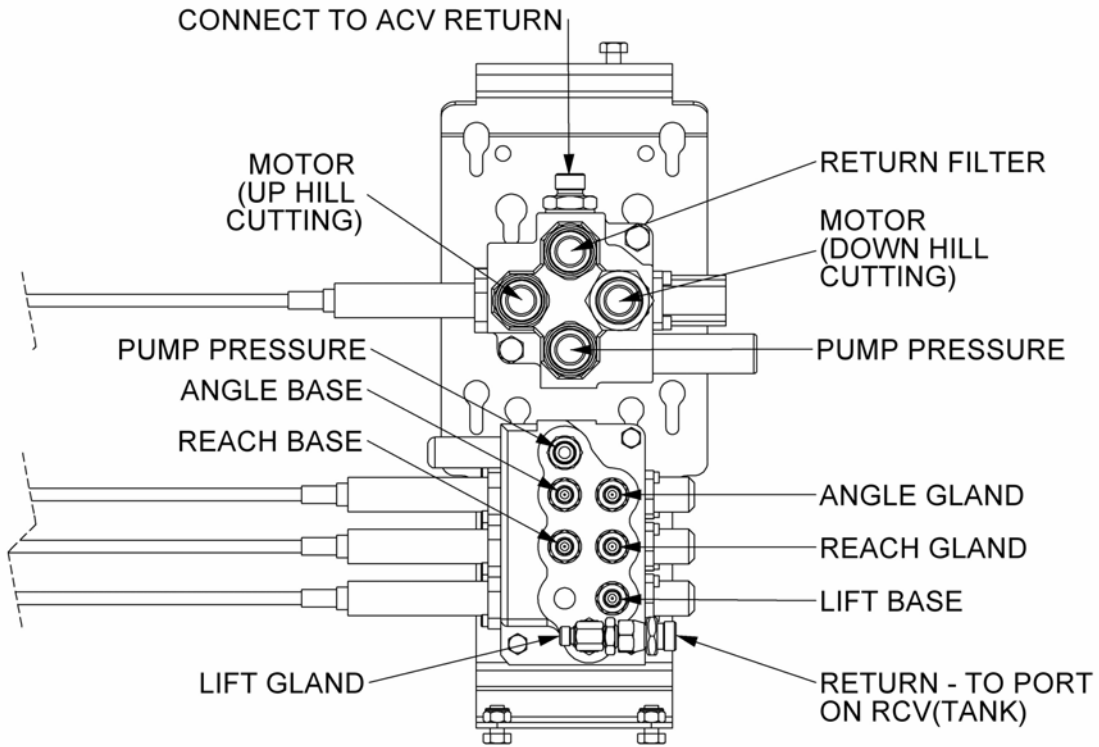
*NOTE: Adaptor Kits 22524.18 & 22524.42 comprise of identical components but differ in the assembled location in their respective Control Valve.*

REF.	QTY.	PART NO.	DESCRIPTION
		<b>22524.18</b>	<b>ADAPTOR KIT (Control Valve 8130334)</b>
		<b>22524.42</b>	<b>ADAPTOR KIT (Control Valve 8130260)</b>
1	1	02.714.10	ADAPTOR
2	1	11.068.69	ADAPTOR TEE
3	2	6000113	ADAPTOR
4	2	8130046	ADAPTOR RESTRICTOR - 1.5 'A'
5	2	8130048	ADAPTOR RESTRICTOR - 1.3 'C'
6	1	8130066	ADAPTOR RESTRICTOR - 1.15 'M'
7	1	8581190	ADAPTOR ELBOW (90°)
8	1	8581285	ADAPTOR
9	7	8650103	BONDED SEAL

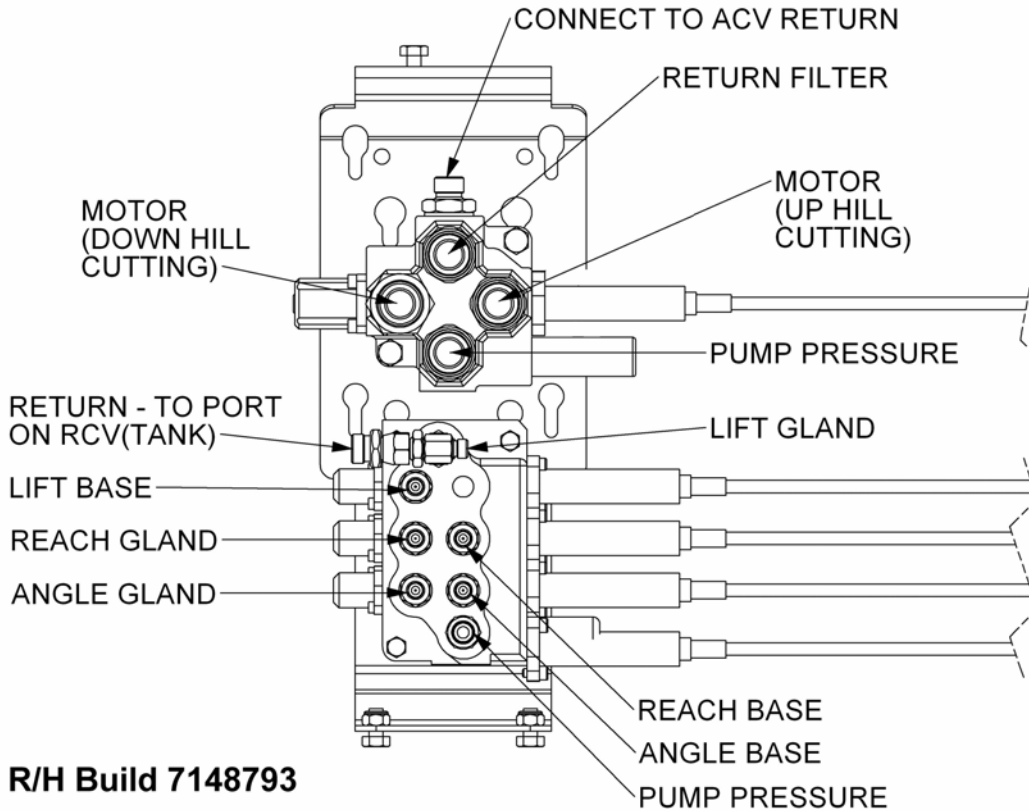
# CABLE TI ACV & RCV PORT IDENTIFICATION

**McCONEL**

Module(s): 7148792 – L/H Build, 7148793 – R/H Build



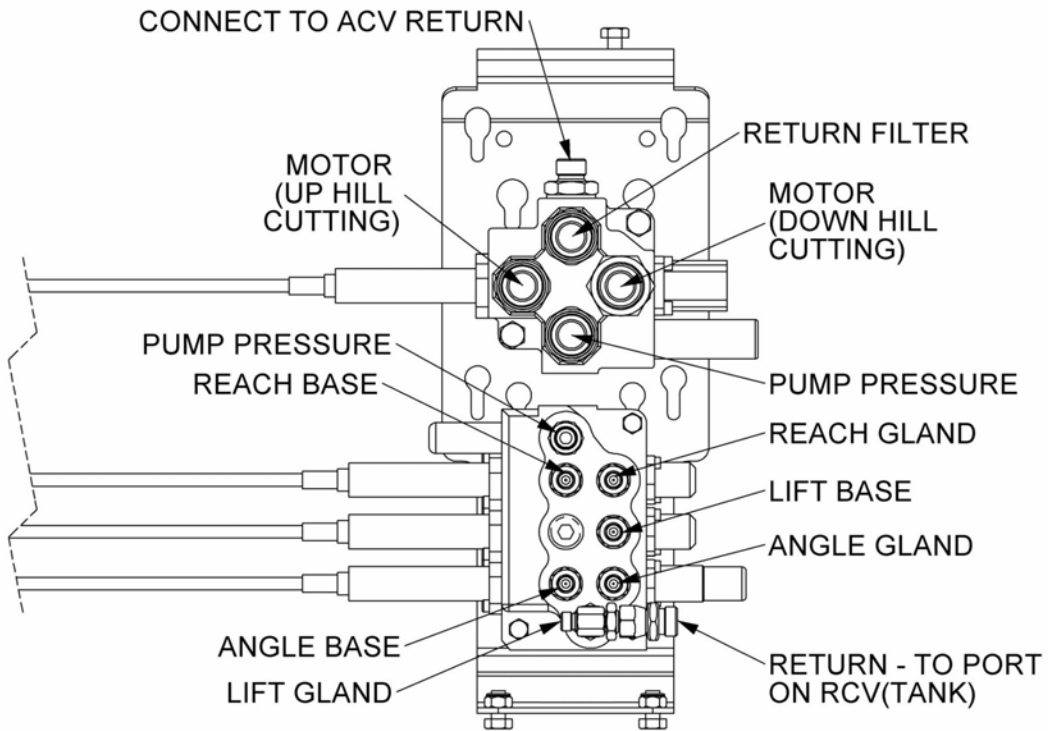
**L/H Build 7148792**



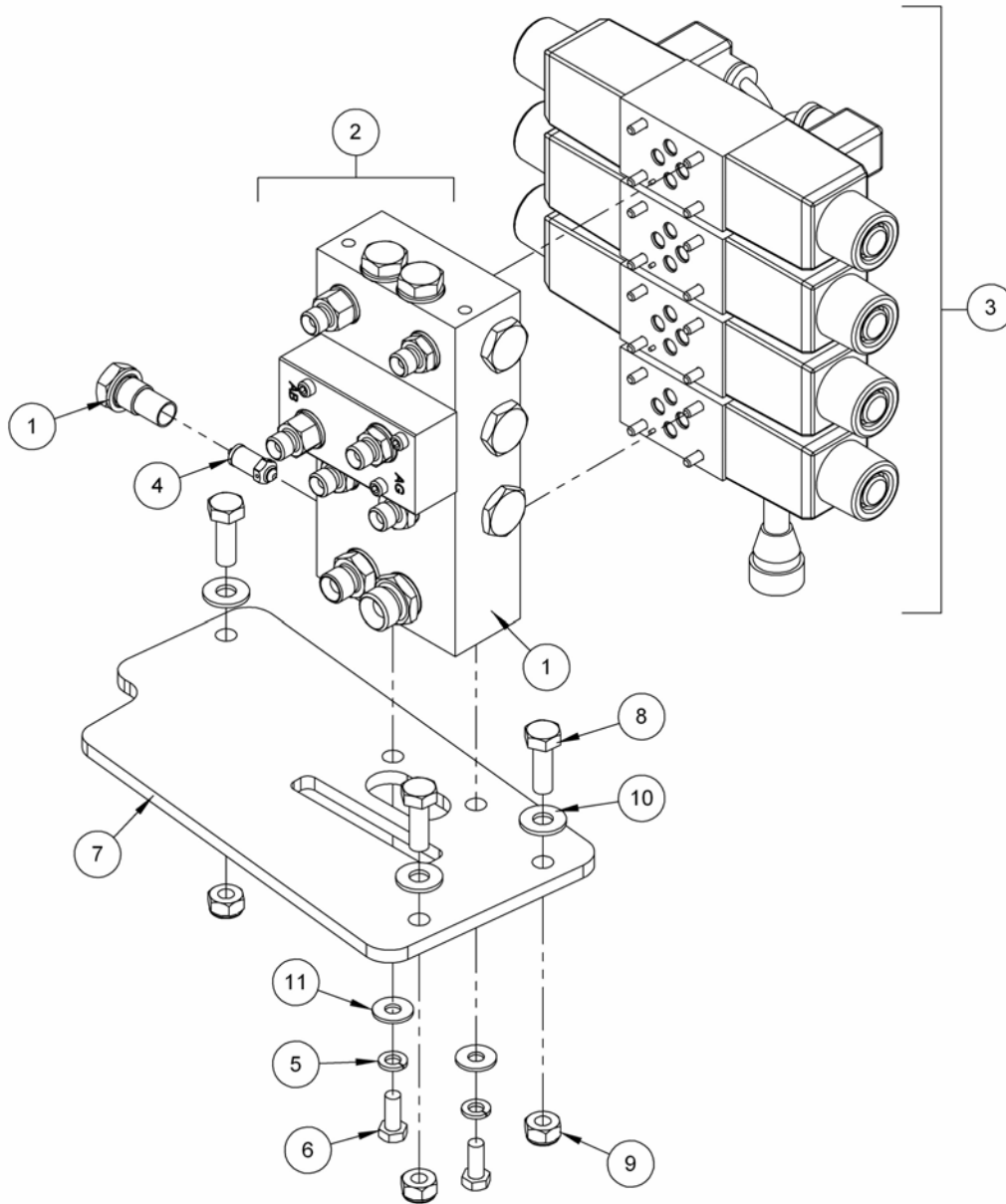
**R/H Build 7148793**



Module(s): 7148798 – L/H Build (with ANGLE FLOAT)

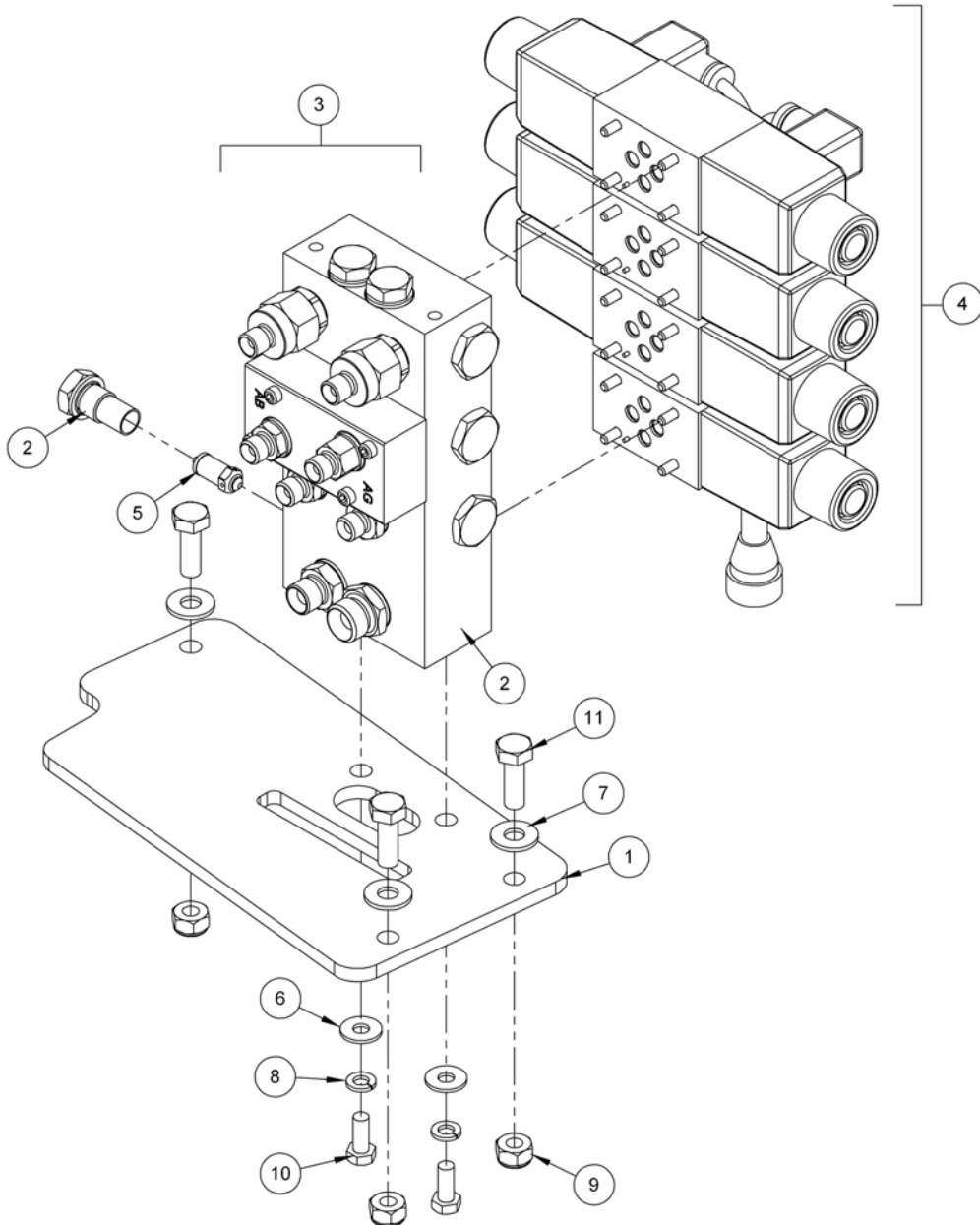


**L/H Build (with Angle Float) 7148798**



REF.	QTY.	PART NO.	DESCRIPTION
		<b>7148766</b>	<b>ELECTRIC CONTROL VALVE - L/H Build</b>
		<b>7148767</b>	<b>ELECTRIC CONTROL VALVE - R/H Build</b>
1	1	22523.03	3 BANK MANIFOLD ASSEMBLY
2	1	22524.04	ADAPTOR KIT
3	1	22525.04	CONTROL SOLENOIDS KIT
4	1	8130124	RELIEF VALVE (140BAR)
5	2	9100204	SPRING WASHER
6	2	9313044	SETSCREW
7	1	22516.02	VALVE MOUNTING PLATE
8	3	9313065	SETSCREW
9	3	9163005	NYLOC NUT
10	3	9100105	FLAT WASHER
11	2	9100104	FLAT WASHER

Note: L/H & R/H Builds use identical parts and differ only in component orientation.



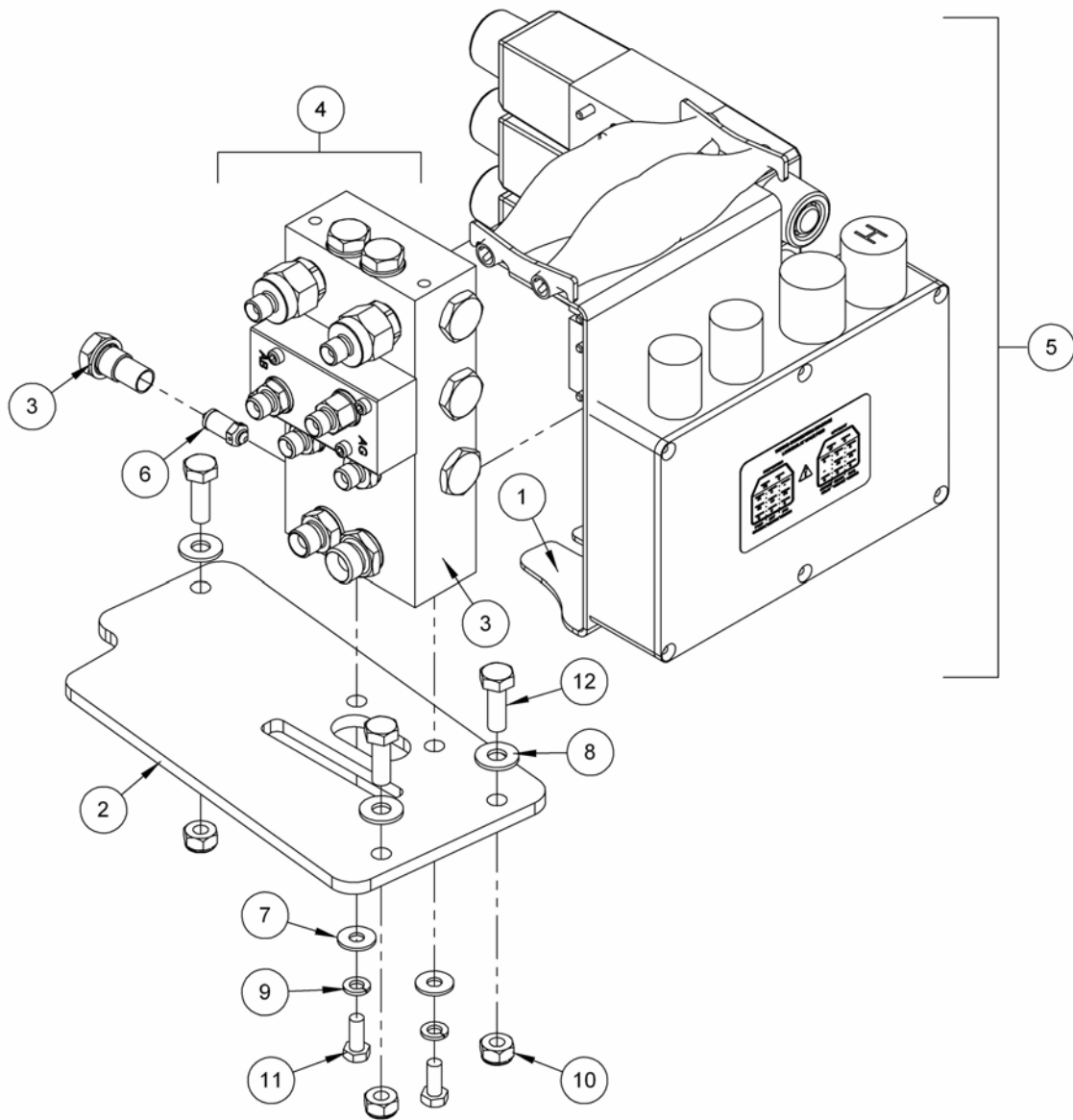
REF.	QTY.	PART NO.	DESCRIPTION
		<b>7148768</b>	<b>XTC PROP. CONTROL VALVE - L/H Build</b>
		<b>7148769</b>	<b>XTC PROP. CONTROL VALVE - R/H Build</b>
1	1	22516.02	VALVE MOUNTING PLATE
2	1	22523.03	3 BANK MANIFOLD ASSEMBLY
3	1	22524.17	ADAPTOR KIT
4	1	22525.16	CONTROL SOLENOIDS KIT
5	1	8130124	RELIEF VALVE (140BAR)
6	2	9100104	FLAT WASHER
7	3	9100105	FLAT WASHER
8	2	9100204	SPRING WASHER
9	3	9163005	NYLOC NUT
10	2	9313044	SETSCREW
11	3	9313065	SETSCREW

Note: L/H & R/H Builds use identical parts and differ only in component orientation.

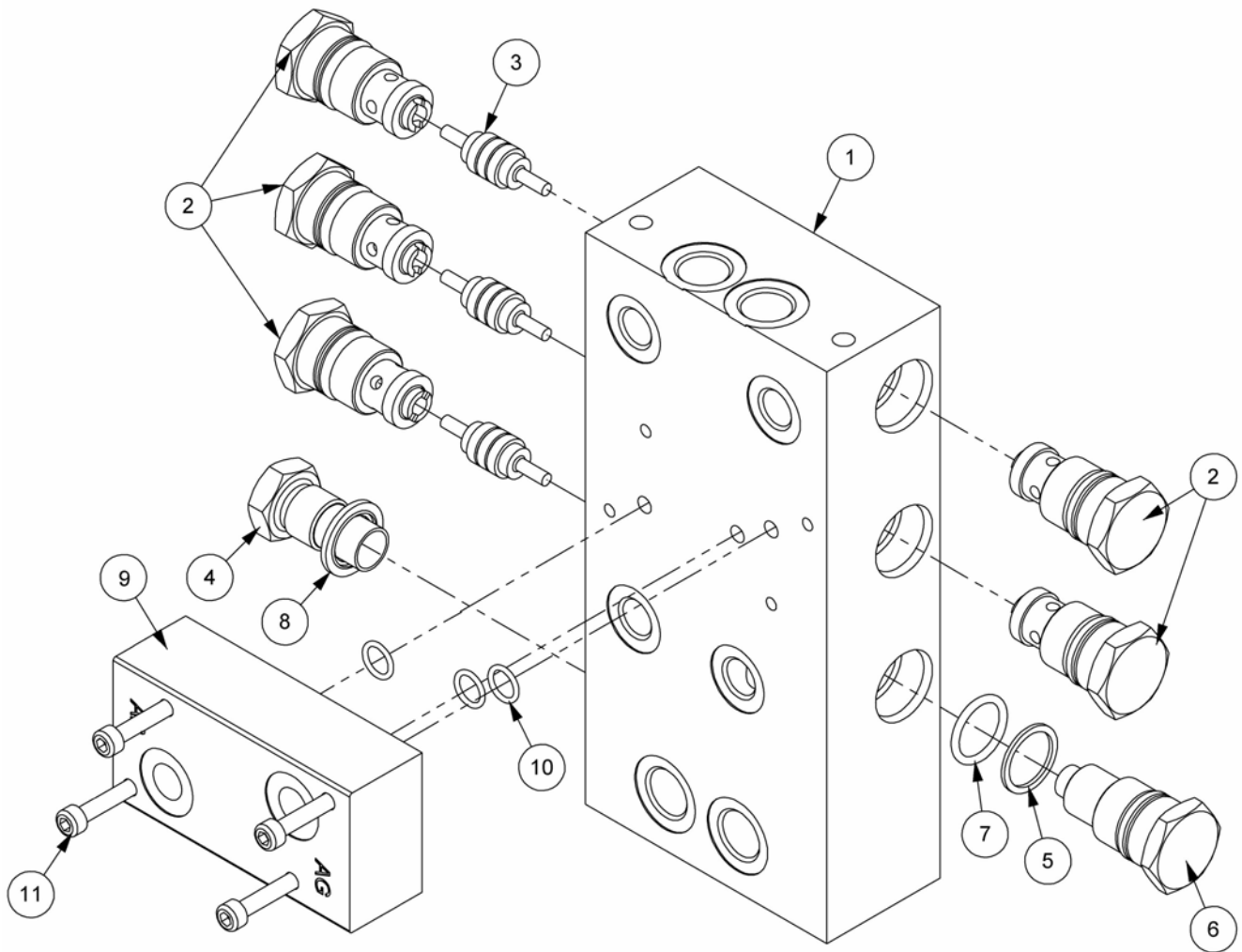
# V4 PROP. CONTROL VALVE ASSEMBLY

**McCONEL**

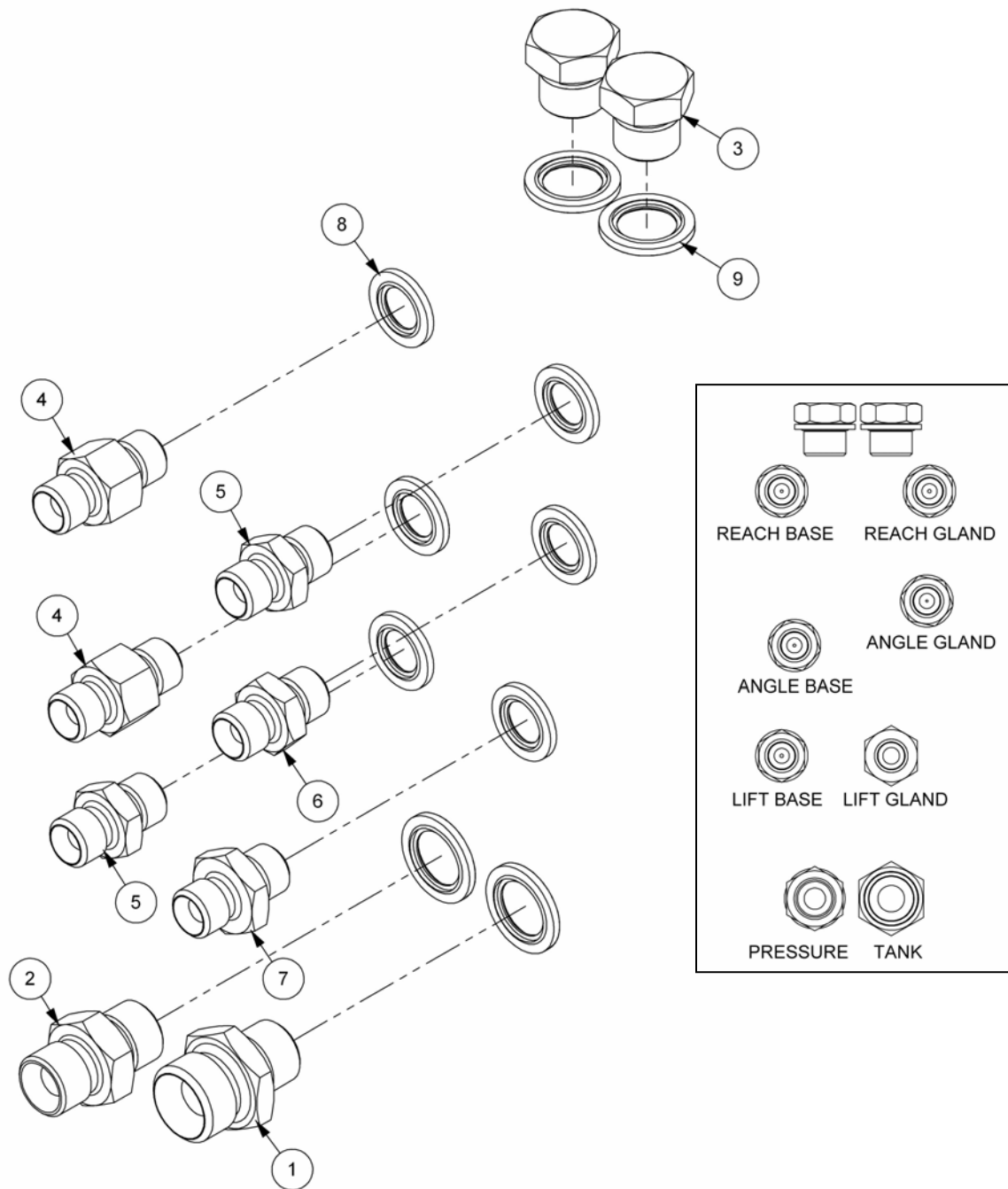
Module(s): 7148770 – L/H Build (*illustrated*), 7148771 – R/H Build



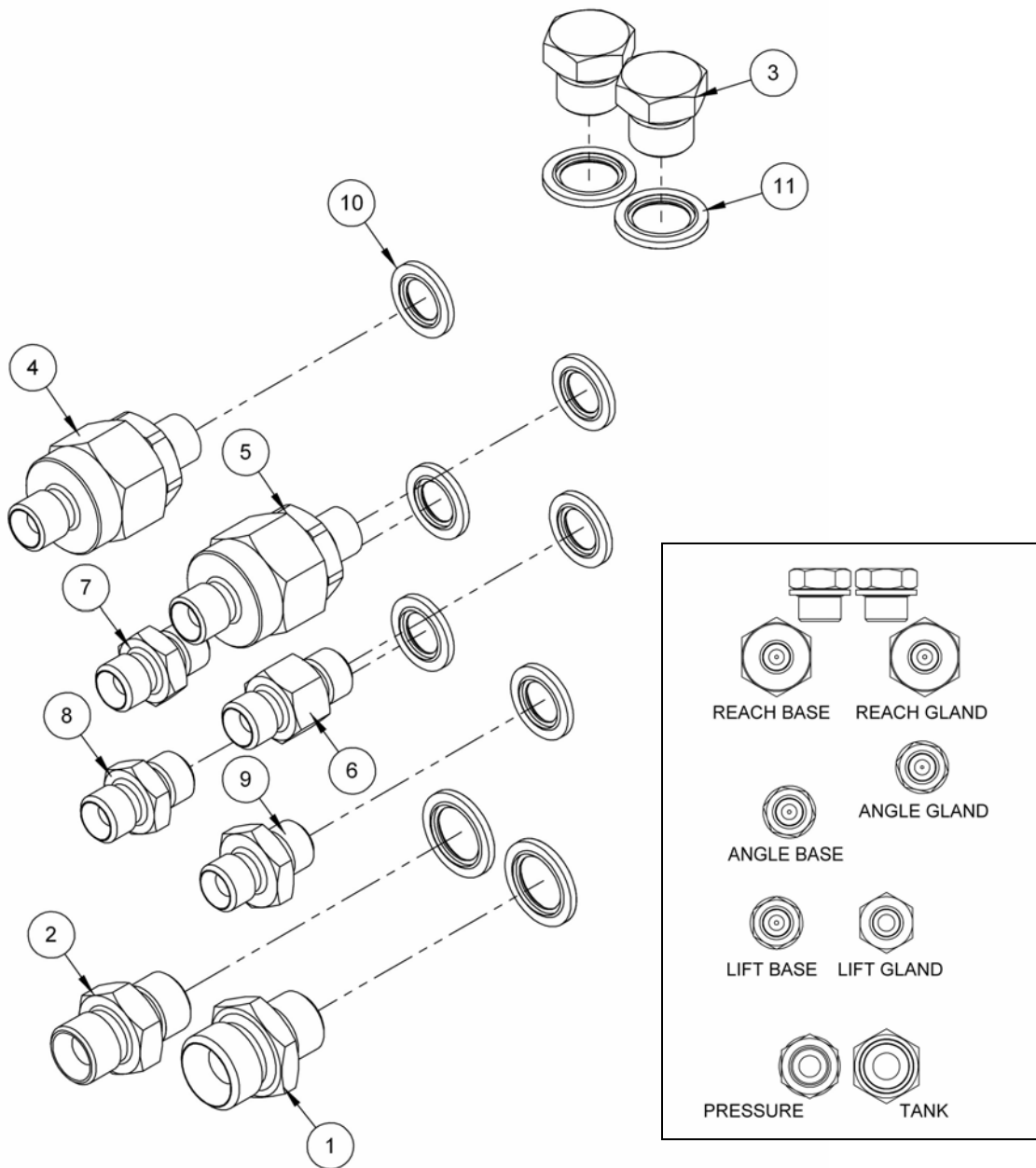
REF.	QTY.	PART No.	DESCRIPTION
		<b>7148770</b>	<b>V4 PROP. CONTROL VALVE ASSEMBLY - L/H Build</b>
		<b>7148771</b>	<b>V4 PROP. CONTROL VALVE ASSEMBLY - R/H Build</b>
1	1	21170.13	CONTROLLER MOUNTING BRACKET - L/H Build
	1	21170.14	CONTROLLER MOUNTING BRACKET - R/H Build
2	1	22516.02	VALVE MOUNTING PLATE
3	1	22523.03	3 BANK MANIFOLD ASSEMBLY
4	1	22524.17	ADAPTOR KIT
5	1	22525.17	CONTROL SOLENOIDS KIT
6	1	8130124	RELIEF VALVE (140BAR)
7	2	9100104	FLAT WASHER
8	3	9100105	FLAT WASHER
9	2	9100204	SPRING WASHER
10	3	9163005	NYLOC NUT
11	2	9313044	SETScrew
12	3	9313065	SETScrew



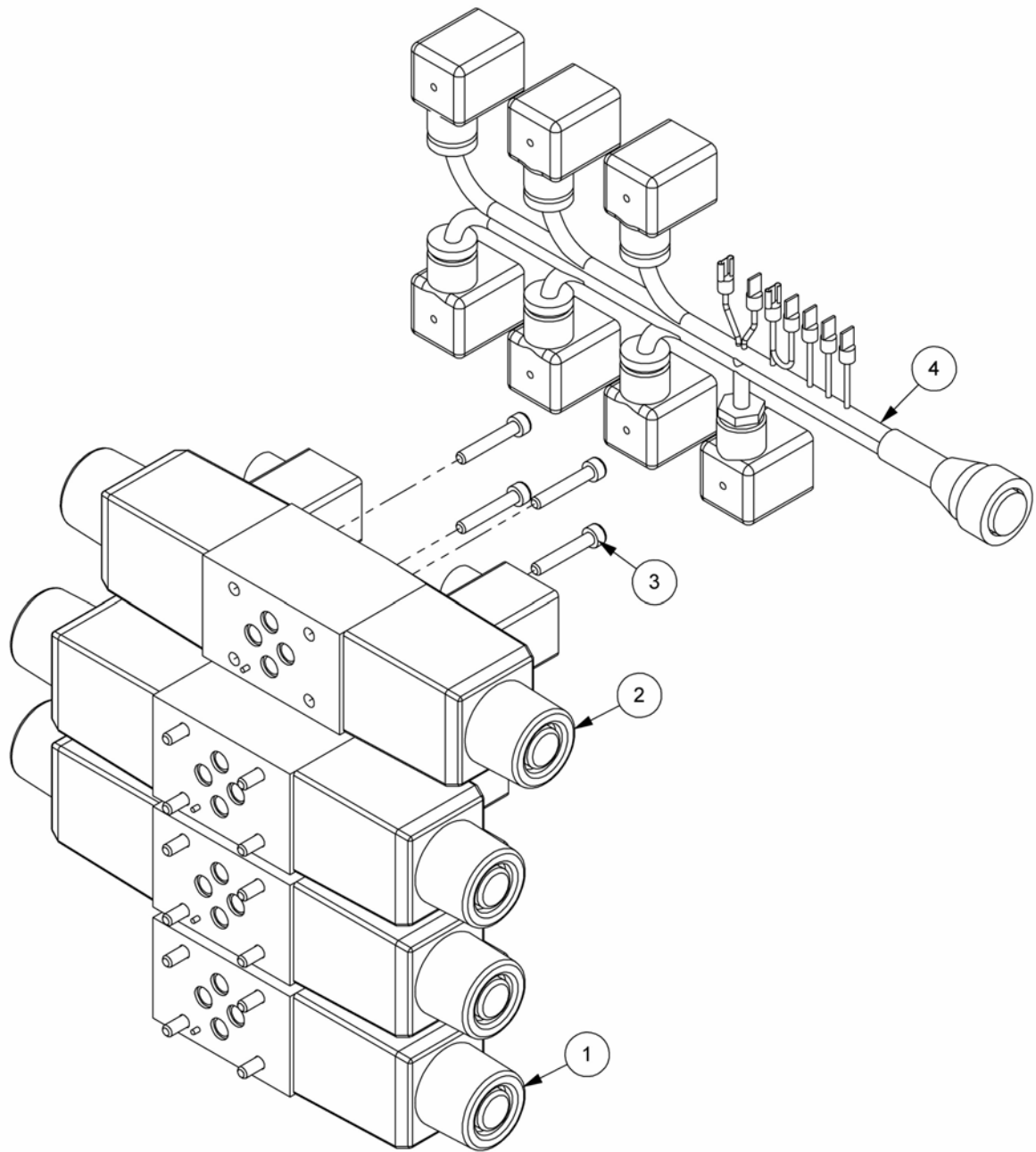
REF.	QTY.	PART No.	DESCRIPTION
		<b>22523.03</b>	<b>MANIFOLD ASSEMBLY - 3 BANK</b>
1	1	8130321	MANIFOLD BLOCK - 3 FUNCTION
2	5	8130090	CHECK VALVE ASSEMBLY - <i>comprising of:</i>
	1	8130025	CHECK VALVE CAP
	1	8114045	SPRING
	1	8130089	SPRING GUIDE
	1	0905509	STEEL BALL
	1	8700644	O RING
	1	8130088	CHECK VALVE SEAT
	1	8709644	BACKUP RING
3	3	8130087	ACTUATOR
4	1	8130032	RELIEF VALVE CAP
5	1	8709644	BACK UP RING
6	1	8130078	CHECK VALVE CAP
7	1	8700644	O RING



REF.	QTY.	PART NO.	DESCRIPTION
		<b>22524.04</b>	<b>ADAPTOR KIT</b>
1	1	6000112	ADAPTOR
2	1	6000113	ADAPTOR
3	2	8003001	ADAPTOR PLUG
4	2	8130037	ADAPTOR RESTRICTOR - 1.15 'S'
5	2	8130038	ADAPTOR RESTRICTOR - 1.4 'L'
6	1	8130103	ADAPTOR RESTRICTOR - 0.9 'T'
7	1	8581169	ADAPTOR
8	6	8650102	BONDED SEAL
9	4	8650103	BONDED SEAL

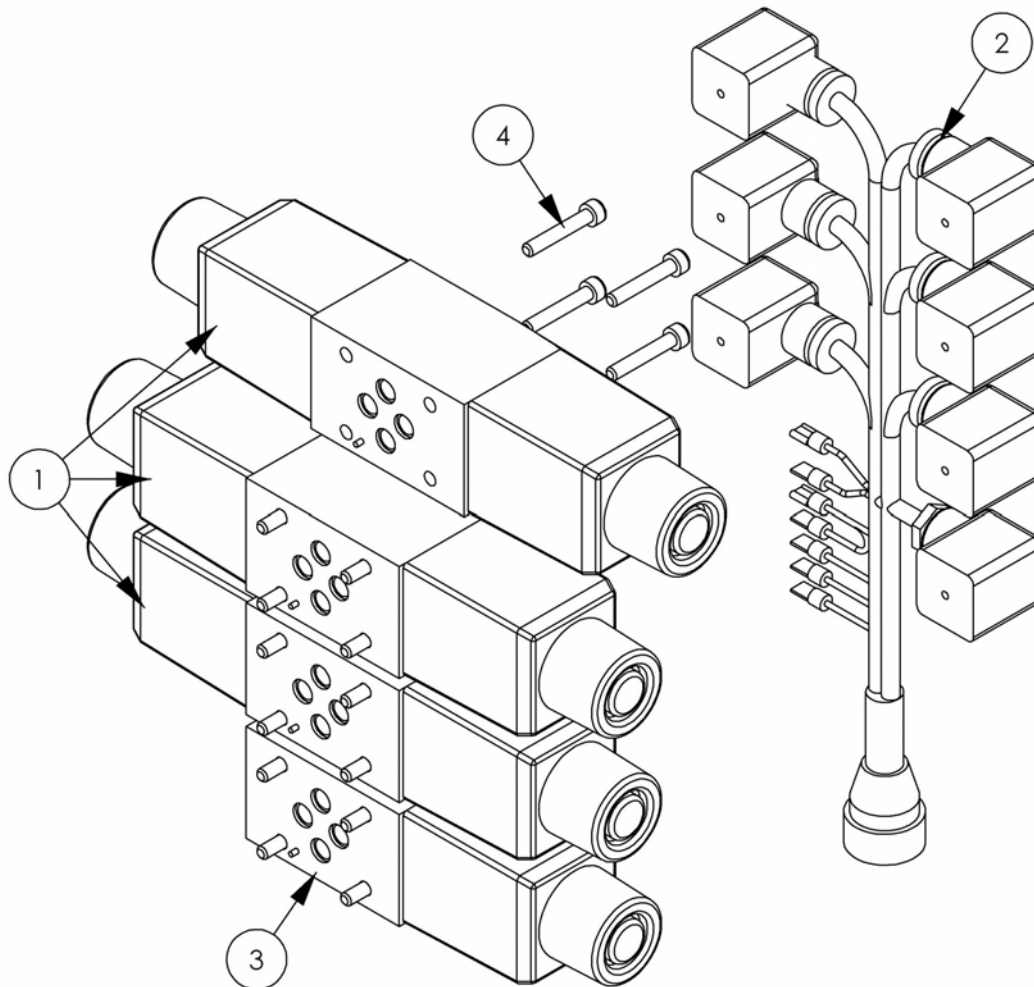


REF.	QTY.	PART No.	DESCRIPTION
		<b>22524.17</b>	<b>ADAPTOR KIT</b>
1	1	6000112	ADAPTOR
2	1	6000113	ADAPTOR
3	2	8003001	ADAPTOR PLUG
4	1	8123088	RESTRICTOR UNION - 1.4
5	1	8123090	RESTRICTOR UNION - 1.6
6	1	8130037	ADAPTOR RESTRICTOR - 1.15 'S'
7	1	8130038	ADAPTOR RESTRICTOR - 1.4 'L'
8	1	8130105	ADAPTOR RESTRICTOR - 1.6 'H'
9	1	8581169	ADAPTOR
10	6	8650102	BONDED SEAL
11	4	8650103	BONDED SEAL



REF.	QTY.	PART No.	DESCRIPTION
		<b>22525.04</b>	<b>SOLENOID MODULE</b>
1	1	8130456	CUT OFF SOLENOID VALVE
	1	8130175	COIL (18W)
2	3	8130629	DOUBLE SOLENOID VALVE
	2	8130175	COIL (18W)
3	16	9243062	CAPSCREW
4	1	41844.02	LOOM - 14 CORE PLUG IN
		<b>8699224</b>	<b>SOLENOID SEAL KIT</b>



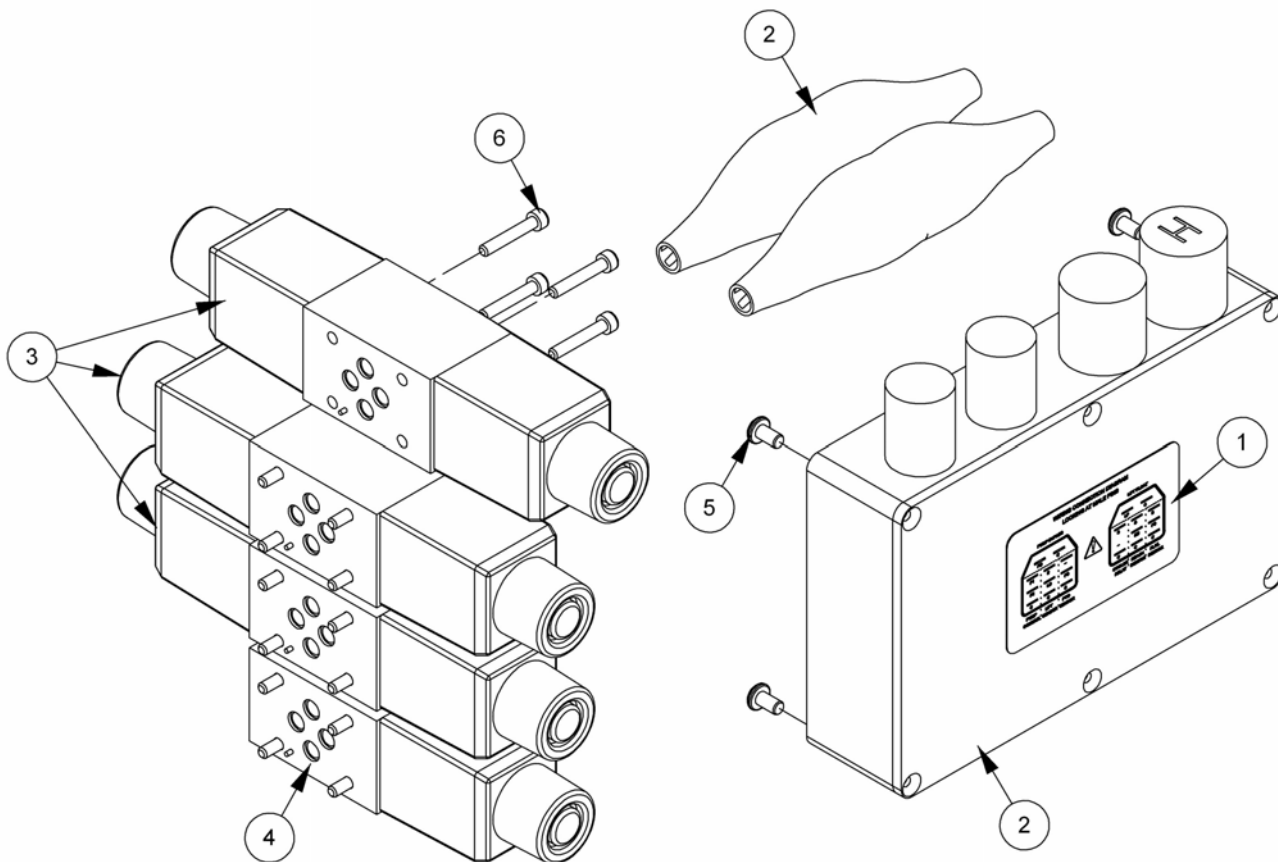


REF.	QTY.	PART No.	DESCRIPTION
		<b>22525.16</b>	<b>CONTROL SOLENOID ASSEMBLY</b>
1	3	41784.48	DOUBLE PROP. SOLENOID VALVE
2	1	41844.02	LOOM - 14 CORE
3	1	8130456	CUT OFF SOLENOID VALVE
4	16	9243062	CAPSCREW

**Service Parts for Solenoid Valves**

<b>41784.99</b>	<b>* Prop. Coil</b>
<b>8130175</b>	<b>18W Coil</b>
<b>8699224</b>	<b>Seal Kit</b>

\* NOTE: Double Prop. Solenoid Valve 41784.48 contains 2x coils 41784.99

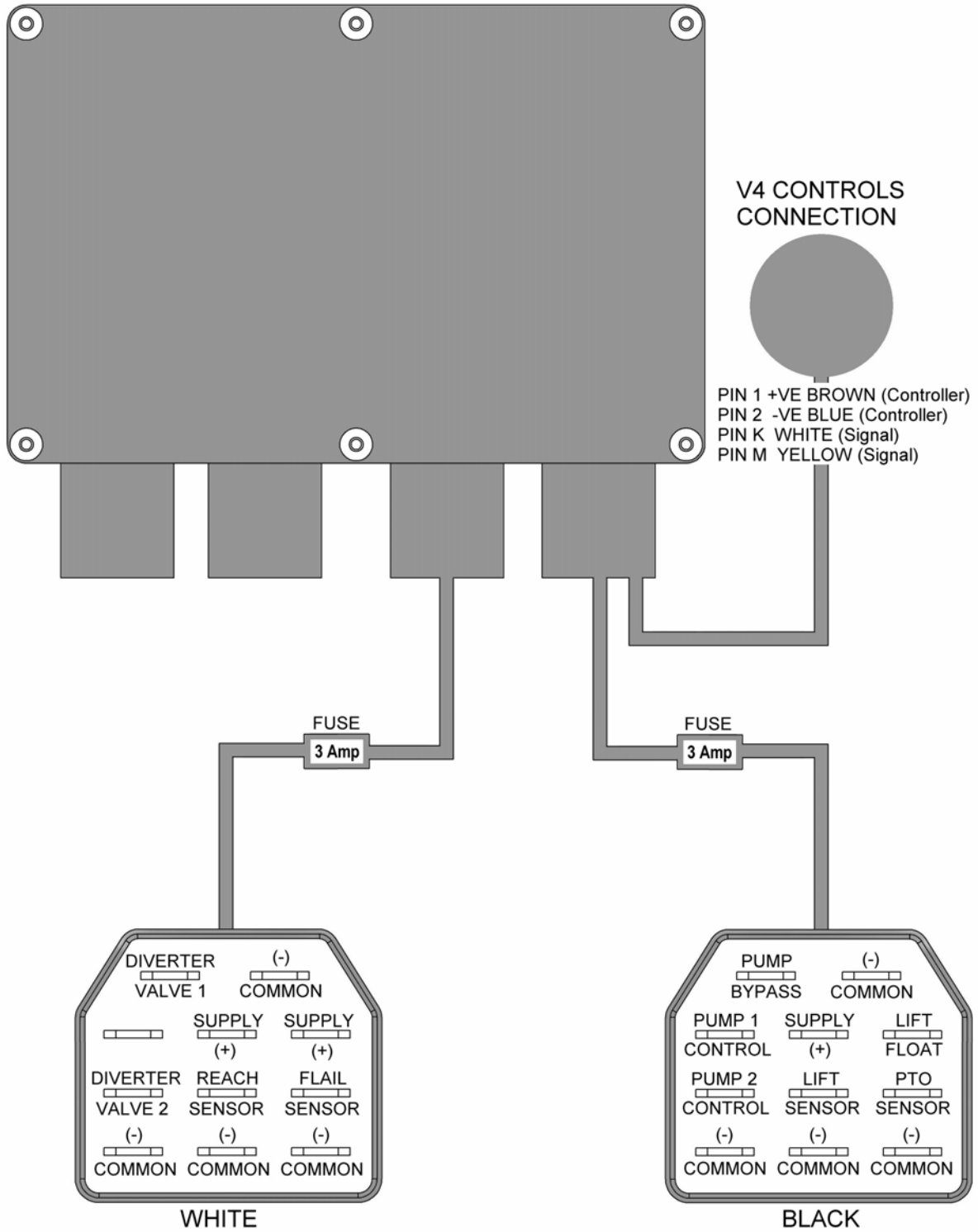


REF.	QTY.	PART No.	DESCRIPTION
		<b>22525.17</b>	<b>CONTROL SOLENOIDS KIT</b>
1	1	1290675	DECAL - ACB WIRING
2	1	21164.07	V4 ACB CONTROLLER (Mk2)
3	3	41784.48	DOUBLE SOLENOID PROP. VALVE
4	1	8130456	CUT OFF SOLENOID VALVE
5	4	9300164	SCREW
6	16	9243062	CAPSCREW

**Service Parts for Solenoid Valves**

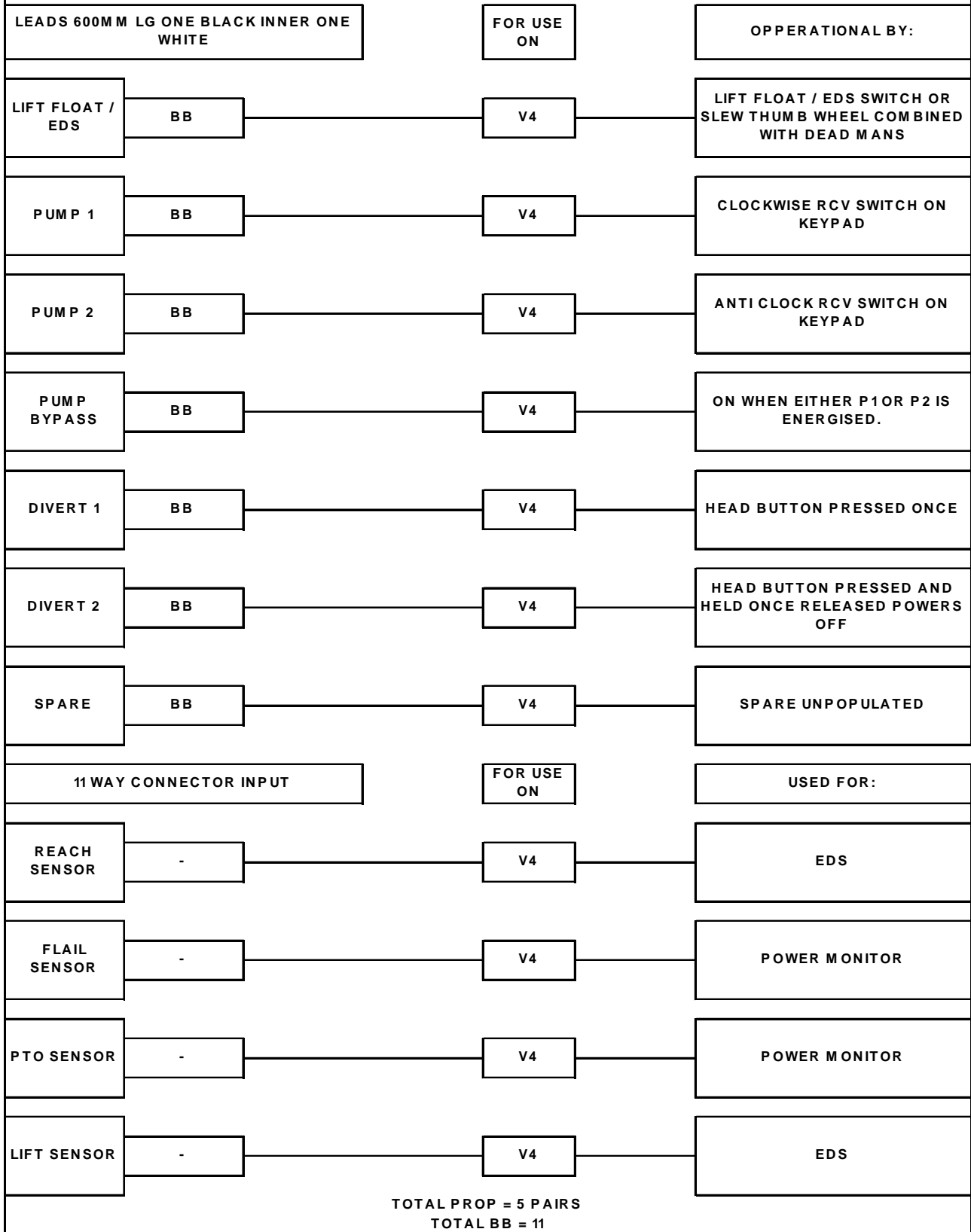
- 41784.99** \* Prop. Coil
- 8130175** 18W Coil
- 8699224** Seal Kit

\* NOTE: Double Prop. Solenoid Valve 41784.48 contains 2x coils 41784.99



Module(s): 21164.07

**11 WAY CONNECTOR OUTPUTS BB**



Module(s): 21164.07

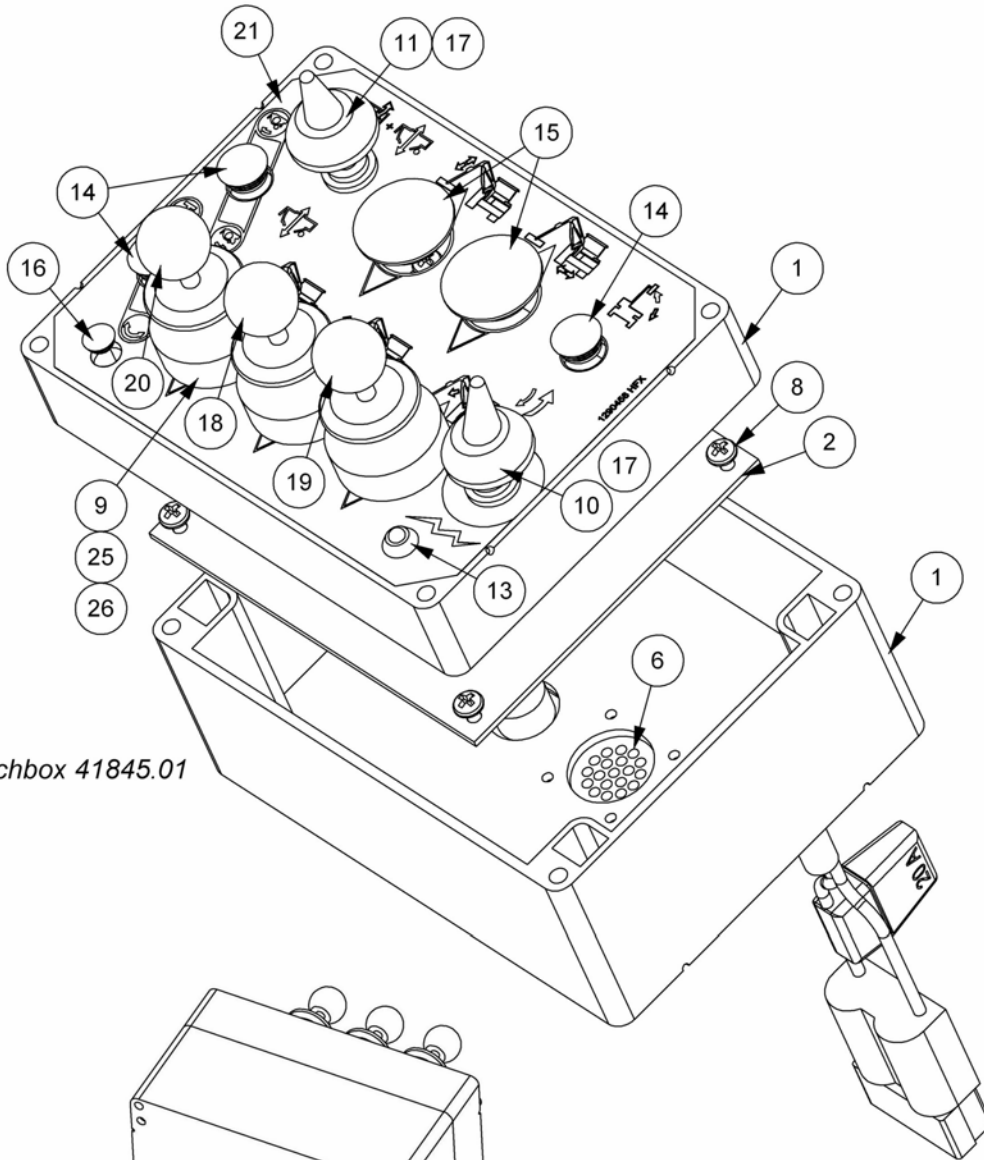
**HIRSCHMANN CONNECTOR BB OR PROP**

GRAY	TYPE AND LEAD LENGTH	BLACK	FOR USE ON	OPERATIONAL BY:
REACH	PROP 600LG	REACH	V4	JOYSTICK LEFT AND RIGHT
ANGLE	PROP 550LG	ANGLE	V4	LEFT THUMB WHEEL
TELE/MID	PROP 500LG	TELE/MID	V4	RIGHT THUMB WHEEL AFTER SLEW TELE SWAP ACTIVE
LIFT	PROP 450LG	LIFT	V4	JOYSTICK FORWARD AND BACKWARDS
SLEW	PROP 400LG	SLEW	V4	RIGHTHAND THUMB WHEEL
ANGLE FLOAT	BB 350LG	ANGLE FLOAT	ECON	OPERATES FROM ANGLE FLOAT SWITCH AND ANGLE ROCKER COMBINED WITH DEAD MANS
SPARE	PROP	SPARE	V4	SPARE UNPOPULATED
SPARE	PROP	SPARE	V4	SPARE UNPOPULATED
CUT OFF	BB 600LG		V4	COPERATES WHEN ANY VALVE SERVICE IS ACTIVATED
AUTO RESET	BB 500LG		V4	OPERATES FROM AUTO RESET ON KEYPAD
LIFT CHECK VALVE	BB 550LG		ECON	OPERATES WHEN LIFT SERVICE IS ACTIVATED
ANGLE FLOAT	BB 550LG		V4	OPERATES FROM ANGLE FLOAT SWITCH AND ANGLE ROCKER COMBINED WITH DEAD MANS

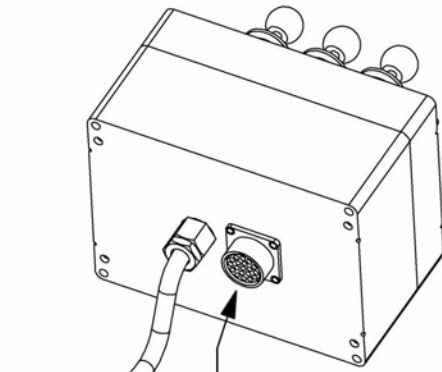
# SWITCHBOX CONTROLS – 3 LEVER

**McCONEL**

Module(s): 41845.01



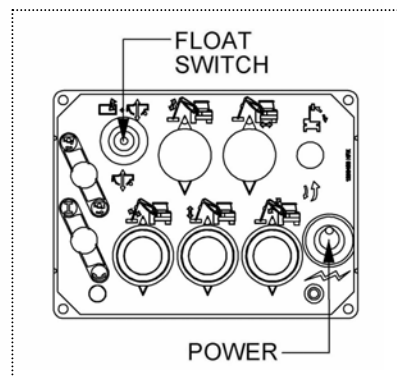
Switchbox 41845.01



- A - COMMON
- B - REACH IN
- C - REACH OUT
- D - LIFT UP
- E - LIFT DOWN
- F - COMMON
- G - TELE IN
- H - TELE OUT
- J - ANGLE DOWN
- K - ANGLE UP



- L - SLEW OUT
- M - SLEW IN
- N - COMMON
- P - ANGLE FLOAT
- R - LIFT FLOAT
- S - PUMP 1
- T - PUMP 2
- U - AUTO RESET
- V - CUT OFF



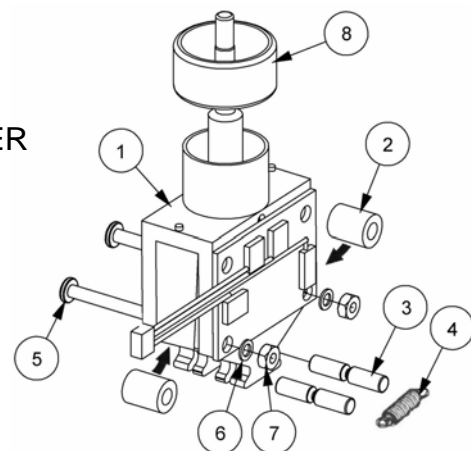
**SWITCHBOX CONTROLS – 3 LEVER**

**McCONNEL**

Module(s): 41845.01

REF.	QTY.	PART No.	DESCRIPTION
		<b>41845.01</b>	<b>SWITCHBOX CONTROLS - 3 LEVER (C/RVC)</b>
1	1	41845.31	BOX & LID C/W SCREWS
2	1	41845.33	CIRCUIT BOARD
3	3	41845.34	LOOM (SWITCH UNIT)
4	1	41845.37	LOOM (FLOAT SWITCH)
5	1	8402232	POWER HARNESS
6	1	8402189	PANEL MOUNTING SHELL
7	14	8402192	SOCKET CONTACT
8	4	2800203	SCREW
9	3	8402133	SWITCH UNIT
10	1	8402023	SWITCH (POWER ON/OFF)
11	1	8402197	SWITCH (FLOAT SELECTION)
12	1	8402025	DIODE
13	1	41845.41	LED
14	3	41845.38	BLANKING PLUG
15	2	41845.39	BLANKING PLUG
16	1	41845.40	BLANKING PLUG
17	2	8402024	SWITCH COVER
18	1	8402027	KNOB - GREEN
19	1	8402028	KNOB - YELLOW
20	1	8402026	KNOB - RED
21	1	1290458	SWITCH BOX LABEL
22	4	8402299	POWER CONTACT
23	2	8402230	RED HOUSING
24	1	43034.02	20 AMP BLADE FUSE
25	3	8402286	RUBBER BOOT (INTERNAL PROTECTOR)
26	3	8402022	LEVER GAITER

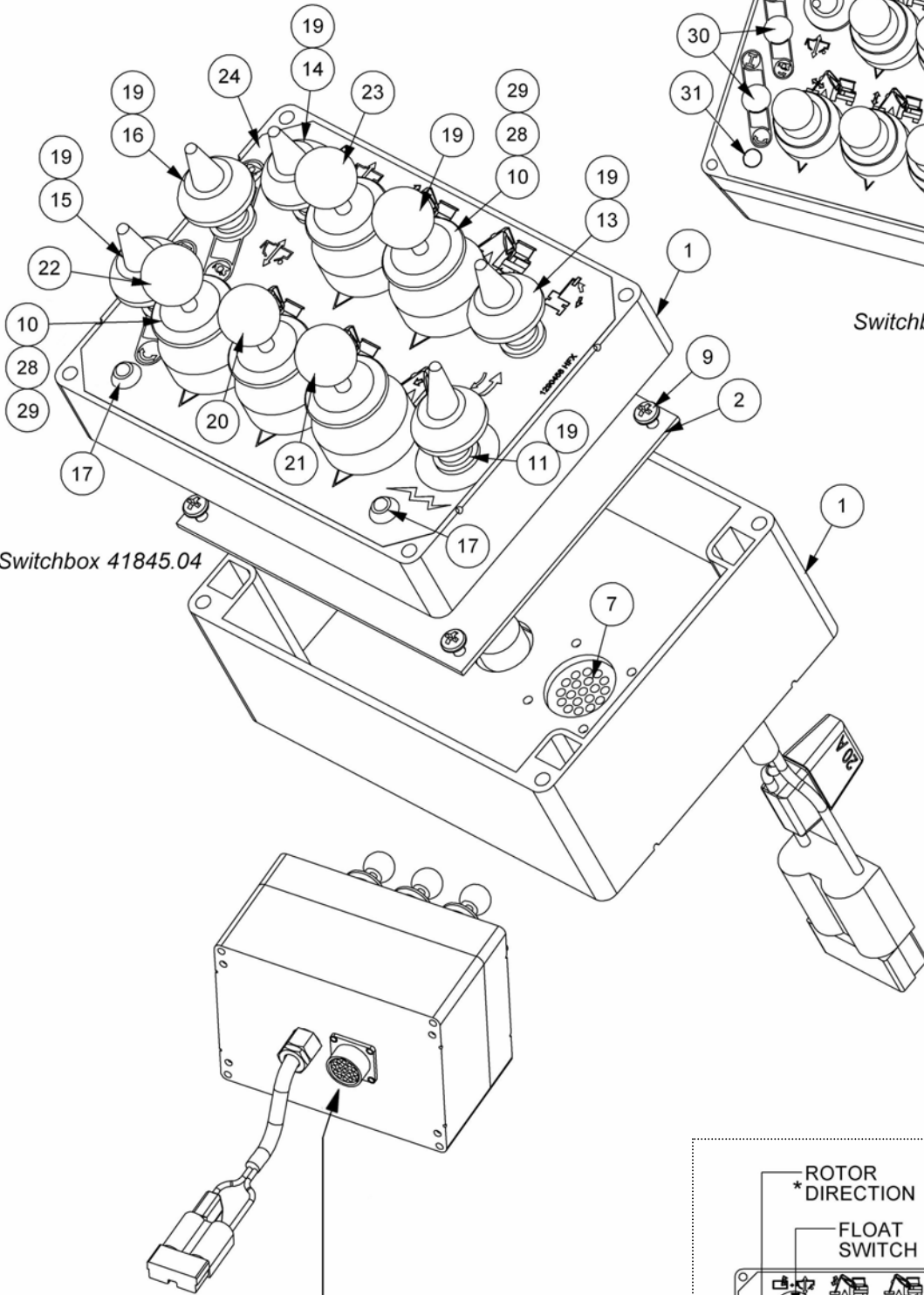
REF.	QTY.	PART No.	DESCRIPTION
1		<b>8402133</b>	<b>SWITCH BODY / LEVER / CIRCUITBOARD c/w:</b>
2		8402334	SPACER
3		8402111	BAR
4		8402101	SPRING
5		9200006	SCREW
6		8402280	PLAIN WASHER
7		9113000	NUT
8		8402051	BEZEL RING



# SWITCHBOX CONTROLS – 5 LEVER

**McCONEL**

Module(s): 41845.03 (Cable RCV), 41845.04 (Electric RCV)



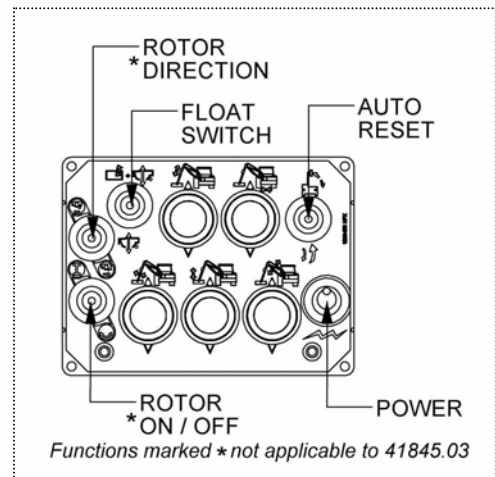
Switchbox 41845.03

Switchbox 41845.04

- A - COMMON
- B - REACH IN
- C - REACH OUT
- D - LIFT UP
- E - LIFT DOWN
- F - COMMON
- G - TELE IN
- H - TELE OUT
- J - ANGLE DOWN
- K - ANGLE UP



- L - SLEW OUT
- M - SLEW IN
- N - COMMON
- P - ANGLE FLOAT
- R - LIFT FLOAT
- S - PUMP 1
- T - PUMP 2
- U - AUTO RESET
- V - CUT OFF





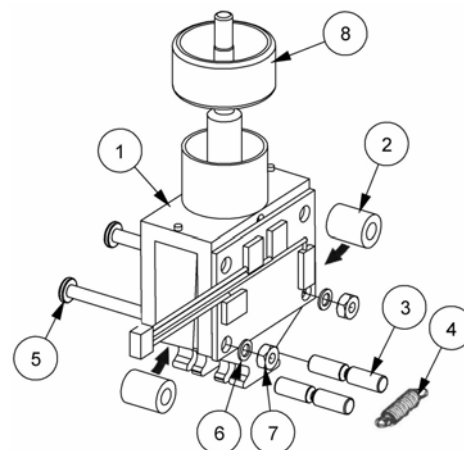
# SWITCHBOX CONTROLS – 5 LEVER

# McCONNEL

Module(s): 41845.03 (Cable RCV), 41845.04 (Electric RCV)

REF.	QTY.	PART No.	DESCRIPTION
		<b>41845.03</b>	<b>SWITCHBOX CONTROLS - 5 LEVER (C/RCV)</b>
		<b>41845.04</b>	<b>SWITCHBOX CONTROLS - 5 LEVER (E/RCV)</b>
1	1	41845.31	BOX & LID C/W SCREWS
2	1	41845.33	CIRCUIT BOARD
3	5	41845.34	LOOM (SWITCH UNIT)
4	1	41845.36	LOOM (PUMP CONTROL) - <i>41845.04 only</i>
5	1	41845.37	LOOM (FLOAT SWITCH)
6	1	8402232	POWER HARNESS
7	1	8402189	PANEL MOUNTING SHELL
8	19	8402192	SOCKET CONTACT
9	4	2800203	SCREW
10	5	8402133	SWITCH UNIT
11	1	8402023	SWITCH (POWER ON/OFF)
12	1	8402182	SWITCH (AUTO RESET)
13	1	8402197	SWITCH (FLOAT SELECTION)
14	1	8402173	SWITCH (ROTOR ON/OFF) - <i>41845.04 only</i>
15	1	8402185	SWITCH (ROTOR DIRECTION) - <i>41845.04 only</i>
16	1	8402025	DIODE
17	2	41845.41	LED - Qty 1 on 41845.03
18	5	8402024	SWITCH COVER
19	1	8402056	KNOB - BLACK
20	1	8402027	KNOB - GREEN
21	1	8402028	KNOB - YELLOW
22	1	8402026	KNOB - RED
23	1	8402198	KNOB - BLUE
24	1	1290458	DECAL - SWITCHBOX (5 LEVER)
25	4	8402299	POWER CONTACT
26	2	8402230	RED CONTACTS HOUSING
27	1	43034.02	20 AMP BLADE FUSE
28	5	8402286	RUBBER BOOT (INTERNAL PROTECTOR)
29	5	8402022	LEVER GAITER
30	2	41845.38	BLANKING PLUG - <i>41845.03 only</i>
31	1	41845.40	BLANKING PLUG - <i>41845.03 only</i>

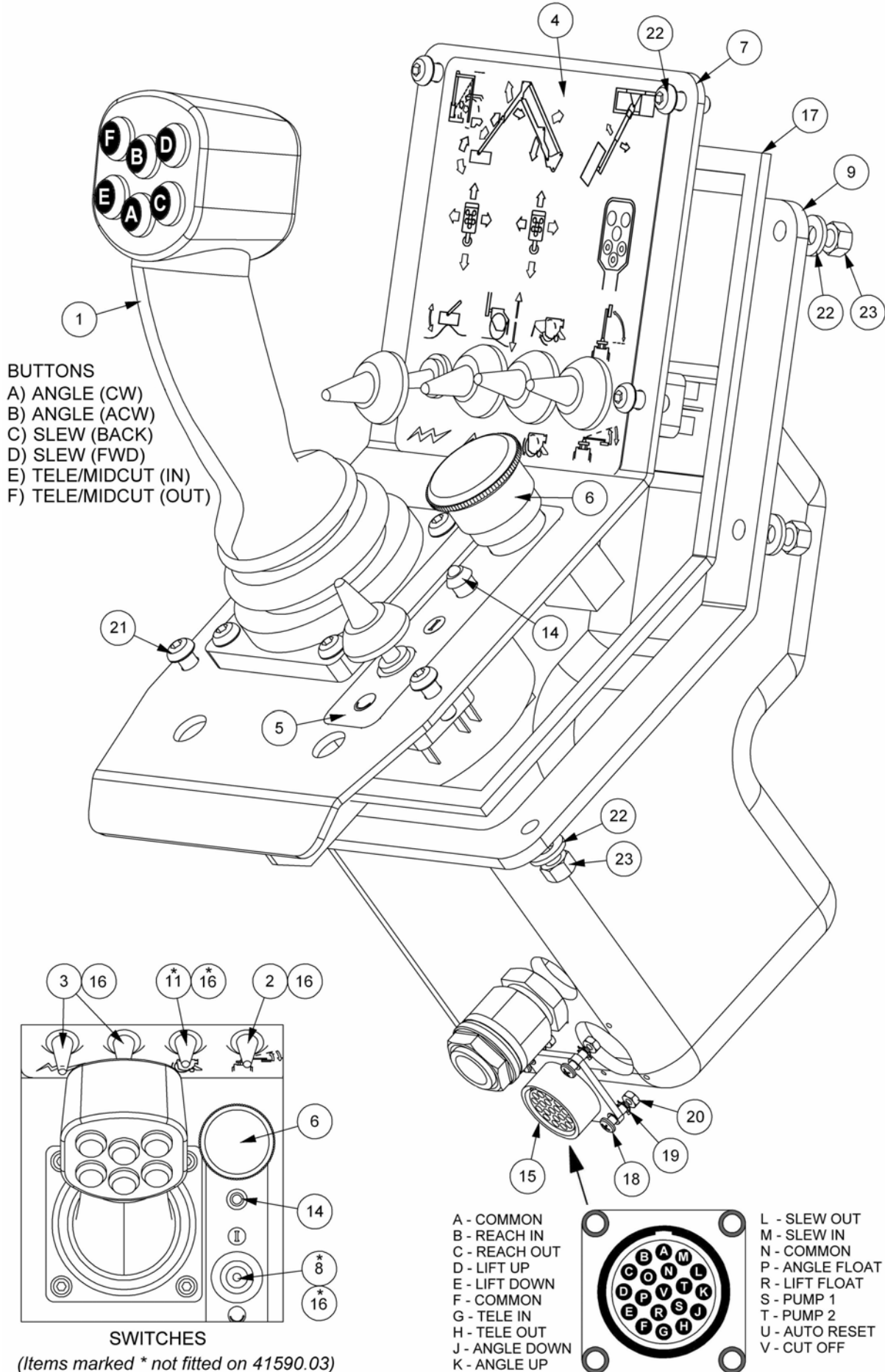
REF.	QTY.	PART No.	DESCRIPTION
1		<b>8402133</b>	<b>SWITCH BODY / LEVER / CIRCUITBOARD c/w:</b>
2		8402334	SPACER
3		8402111	BAR
4		8402101	SPRING
5		9200006	SCREW
6		8402280	PLAIN WASHER
7		9113000	NUT
8		8402051	BEZEL RING



# MONOLEVER CONTROLS (5 FUNCTION)

# McCONEL

Module(s): 41590.03 (Cable RCV), 41590.05 (Electric RCV)



**MONOLEVER CONTROLS (5 FUNCTION)**

**McCONNEL**

Module(s): 41590.03 (Cable RCV), 41590.05 (Electric RCV)

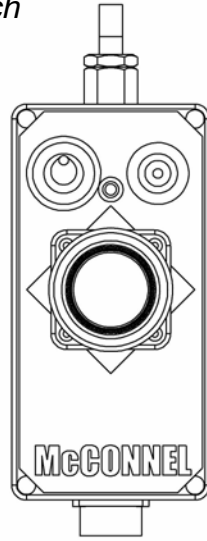
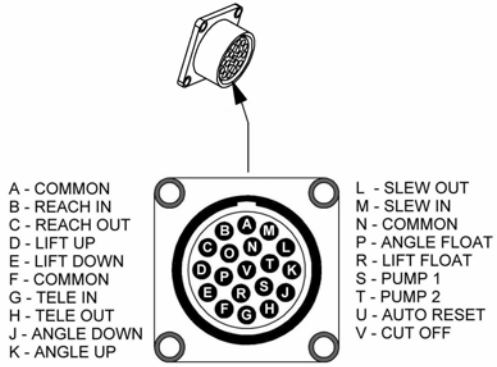
REF.	QTY.	PART No.	DESCRIPTION
		<b>41590.03</b>	<b>JOYSTICK CONTROLS - 5 FUNCTION (C/RCV)</b>
		<b>41590.05</b>	<b>JOYSTICK CONTROLS - 5 FUNCTION (E/RCV)</b>
1	1	41590.33	JOYSTICK (B/B) - 6 BUTTON
		8402203	CONTROL BUTTON ( <i>Replacement</i> )
2	1	8402182	SWITCH (AUTO RESET)
3	2	8402023	TOGGLE SWITCH (FLOAT SELECTION)
4	1	1290451	CONTROL STICKER
5	1	1290080	POWER STICKER
6	1	8402184	POWER / EMERGENCY STOP BUTTON
7	1	7550339	TOP PLATE
8	1	8402173	SWITCH (ROTOR ON/OFF) - <i>n/a on 41590.03</i>
9	1	7550300	COVER POD
10	4	8402299	POWER CONTACT
11	1	8402185	SWITCH (ROTOR DIRECTION) - <i>n/a on 41590.03</i>
12	2	8402230	RED HOUSING
13	1	43034.02	20 AMP BLADE FUSE
14	1	41845.41	LED
15	1	8402189	PANEL MOUNTING SHELL
16	5	8402024	SWITCH WEATHER COVER ( <i>Qty 3 on 41590.03</i> )
17	1	7290052	SEALING STRIP ( <i>Cut to suit</i> )
18	4	9200007	SCREW
19	4	9100400	SHAKEPROOF WASHER
20	4	9113000	NUT
21	6	9300125	BUTTON HEAD CAPSCREW
22	6	9100103	FLAT WASHER
23	6	9143003	SELF-LOCKING NUT

# MINI PROPORTIONAL XTC CONTROLS

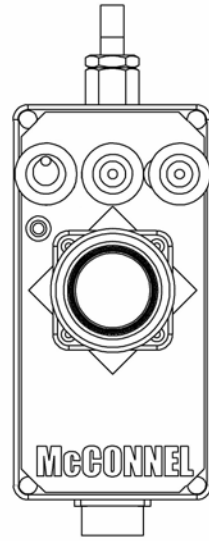
**McCONNEL**

Module(s): 8402390, 8402391, 8402392, 8402393 (illustrated)

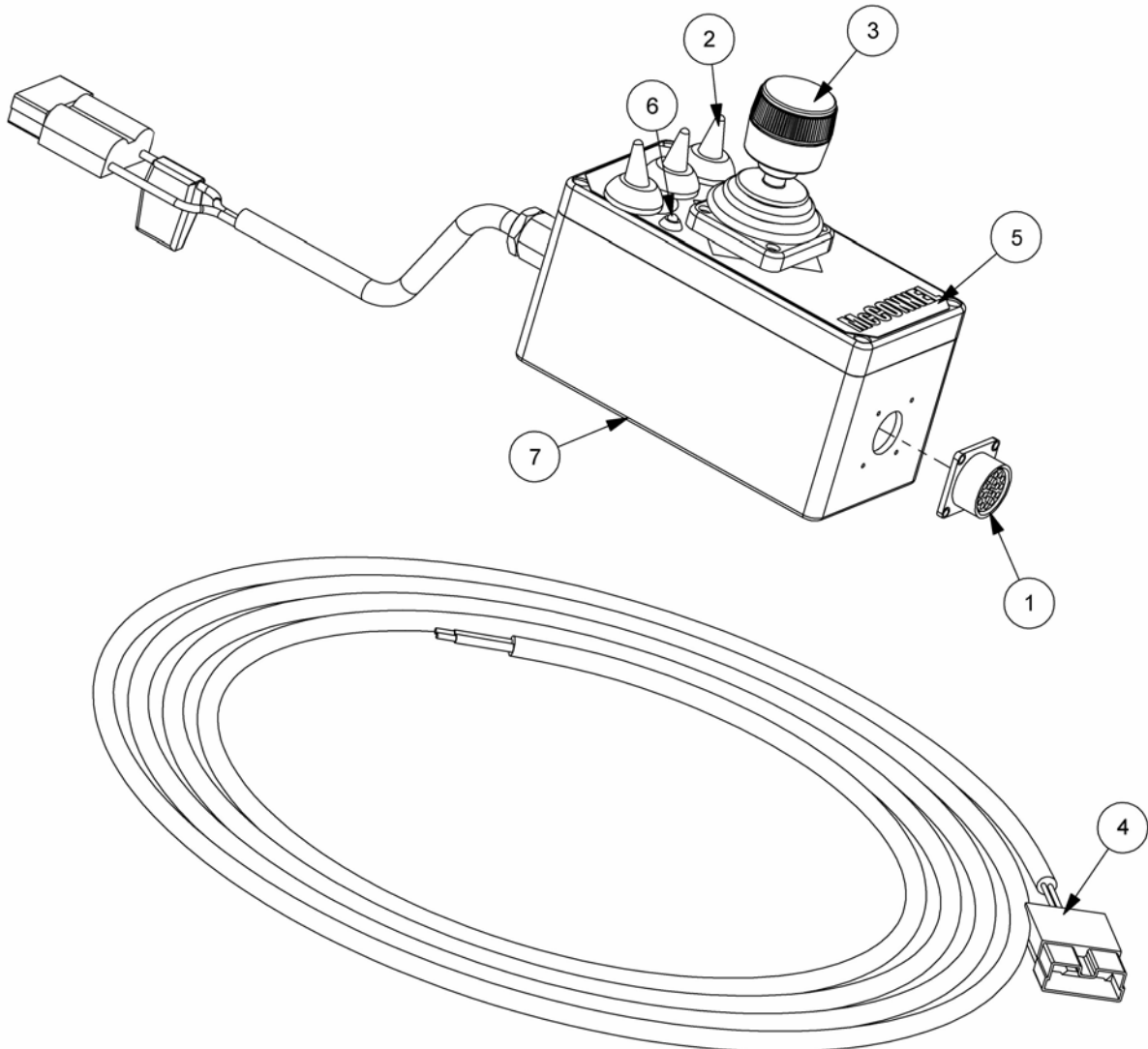
- 8402390 – 3 Service B/B 2 Switch
- 8402391 – 3 Service Proportional B/B 2 Switch
- 8402392 – 3 Service Proportional B/B 3 Switch
- 8402393 – 3 Service Proportional 3 Switch



8402390 & 8402391



8402392 & 8402393



MINI PROPORTIONAL XTC CONTROLS



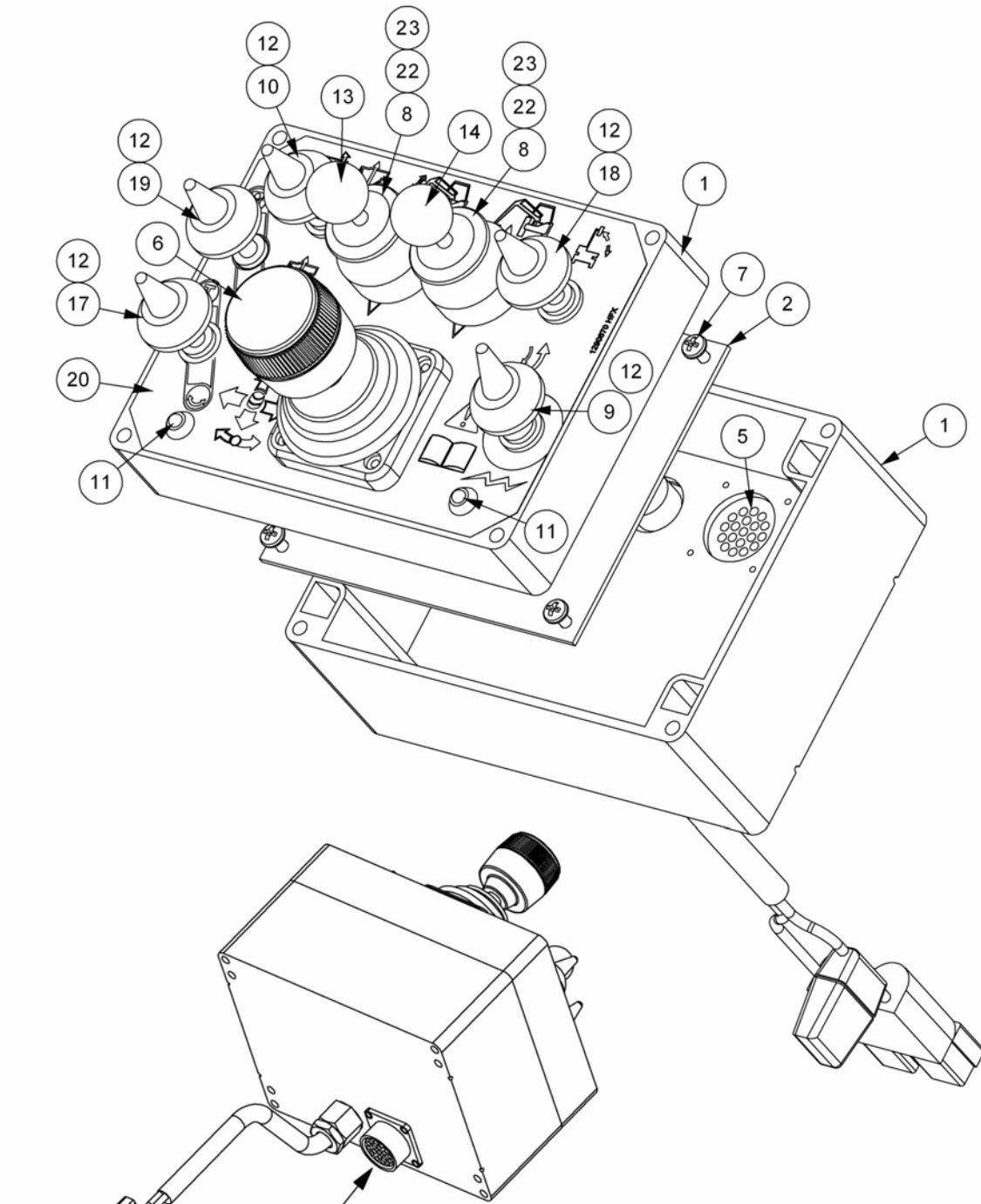
Module(s): 8402390, 8402391, 8402392, 8402393 *(illustrated)*

REF.	QTY.	PART No.	DESCRIPTION
		<b>8402390</b>	<b>3 SERVICE CONTROL BOX - B/B (2 Switch)</b>
		<b>8402391</b>	<b>3 SERVICE CONTROL BOX - Prop. B/B (2 Switch)</b>
		<b>8402392</b>	<b>3 SERVICE CONTROL BOX - Prop. B/B (3 Switch)</b>
		<b>8402393</b>	<b>3 SERVICE CONTROL BOX - Full Prop. (3 Switch)</b>
1	1	8402189	PANEL MOUNTING SHELL
2	3	8402024	SWITCH COVER <i>(Qty 2 used on 8402390 &amp; 391)</i>
3	1	8402246	JOYSTICK (3 AXIS)
4	1	8402237	POWER SUPPLY LOOM
5	1	1290494	DECAL - SWITCH BOX
6	1	41845.41	LED
7	1	8402349	CONTROL BOX
8	1	43034.02	BLADE FUSE (20A)
			<b>BRACKET &amp; FIXINGS</b> <i>(not illustrated)</i>
	1	42442.01	SWITCHBOX BRACKET
	4	2800243	SELF-TAPPER SCREW

# XTC PROPORTIONAL SWITCHBOX CONTROLS

**McCONEL**

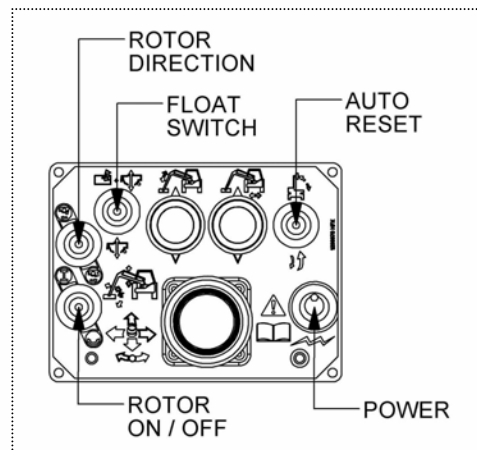
Module(s): 8402395



- A - COMMON
- B - REACH IN
- C - REACH OUT
- D - LIFT UP
- E - LIFT DOWN
- F - COMMON
- G - TELE IN
- H - TELE OUT
- J - ANGLE DOWN
- K - ANGLE UP



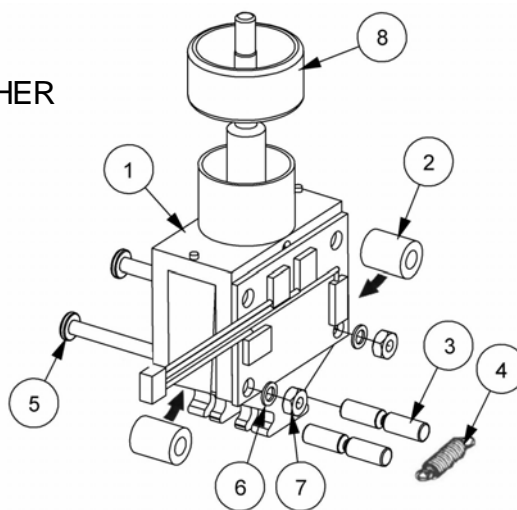
- L - SLEW OUT
- M - SLEW IN
- N - COMMON
- P - ANGLE FLOAT
- R - LIFT FLOAT
- S - PUMP 1
- T - PUMP 2
- U - AUTO RESET
- V - CUT OFF

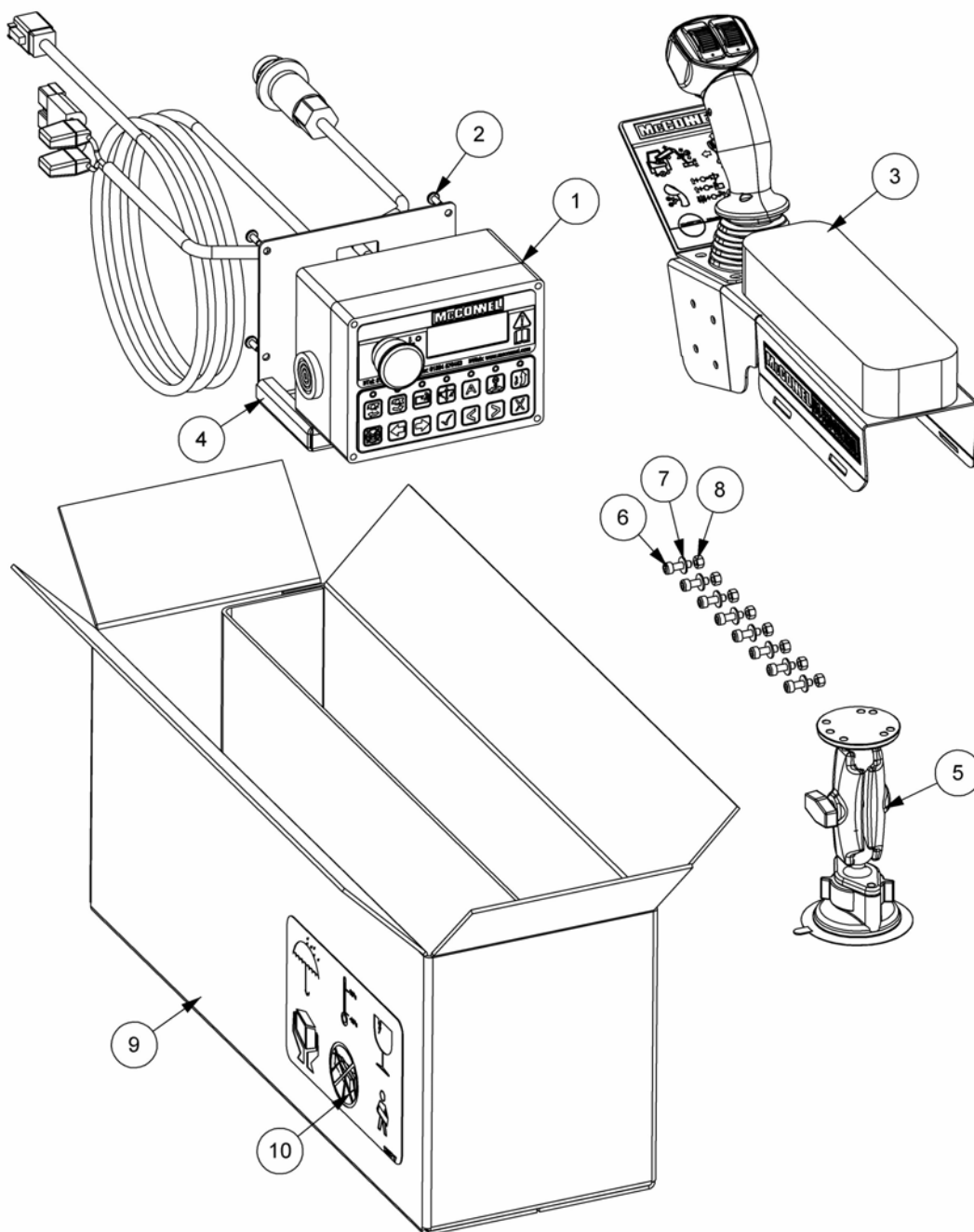


Module(s): 8402395

REF.	QTY.	PART No.	DESCRIPTION
		<b>8402395</b>	<b>XTC PROP. SWITCHBOX CONTROLS</b>
1	1	41845.30	XTC ENCLOSURE
2	1	41845.47	CIRCUIT BOARD
3	2	41845.34	LOOM (SWITCH UNIT)
4	1	41845.37	LOOM (FLOAT SWITCH)
5	1	8402189	PANEL MOUNTING SHELL
6	1	8402246	JOYSTICK (3 AXIS)
7	4	2800203	SCREW
8	2	8402133	SWITCH UNIT
9	1	8402023	SWITCH (POWER ON/OFF)
10	1	8402197	SWITCH (FLOAT SELECTION)
11	2	41845.41	LED
12	5	8402024	SWITCH WEATHER COVER
13	1	8402198	KNOB - BLUE
14	1	8402056	KNOB - BLACK
15	1	8402237	LOOM POWER SUPPLY
16	19	8402192	SOCKET CONTACT
17	1	8402173	SWITCH (ROTOR ON/OFF)
18	1	8402182	SWITCH (AUTO RESET)
19	1	8402185	SWITCH (ROTOR DIRECTION)
20	1	1290670	DECAL - PROP SWITCHBOX
21	1	41845.36	LOOM (PUMP CONTROL)
22	2	8402022	LEVER GAITER
23	2	8402286	RUBBER BOOT (INTERNAL PROTECTOR)

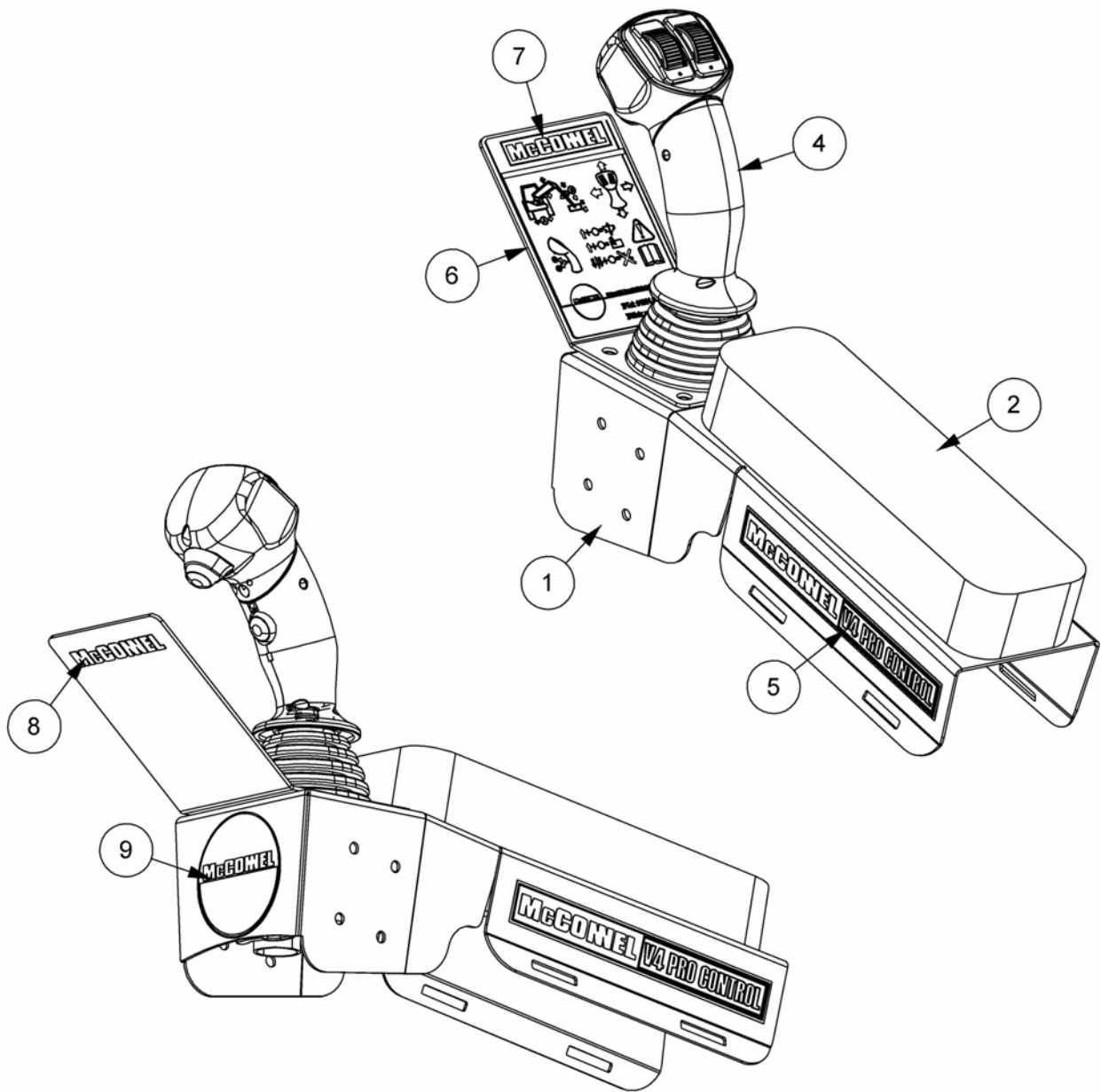
REF.	QTY.	PART No.	DESCRIPTION
1		<b>8402133</b>	<b>SWITCH BODY / LEVER / CIRCUITBOARD c/w:</b>
2		8402334	SPACER
3		8402111	BAR
4		8402101	SPRING
5		9200006	SCREW
6		8402280	PLAIN WASHER
7		9113000	NUT
8		8402051	BEZEL RING



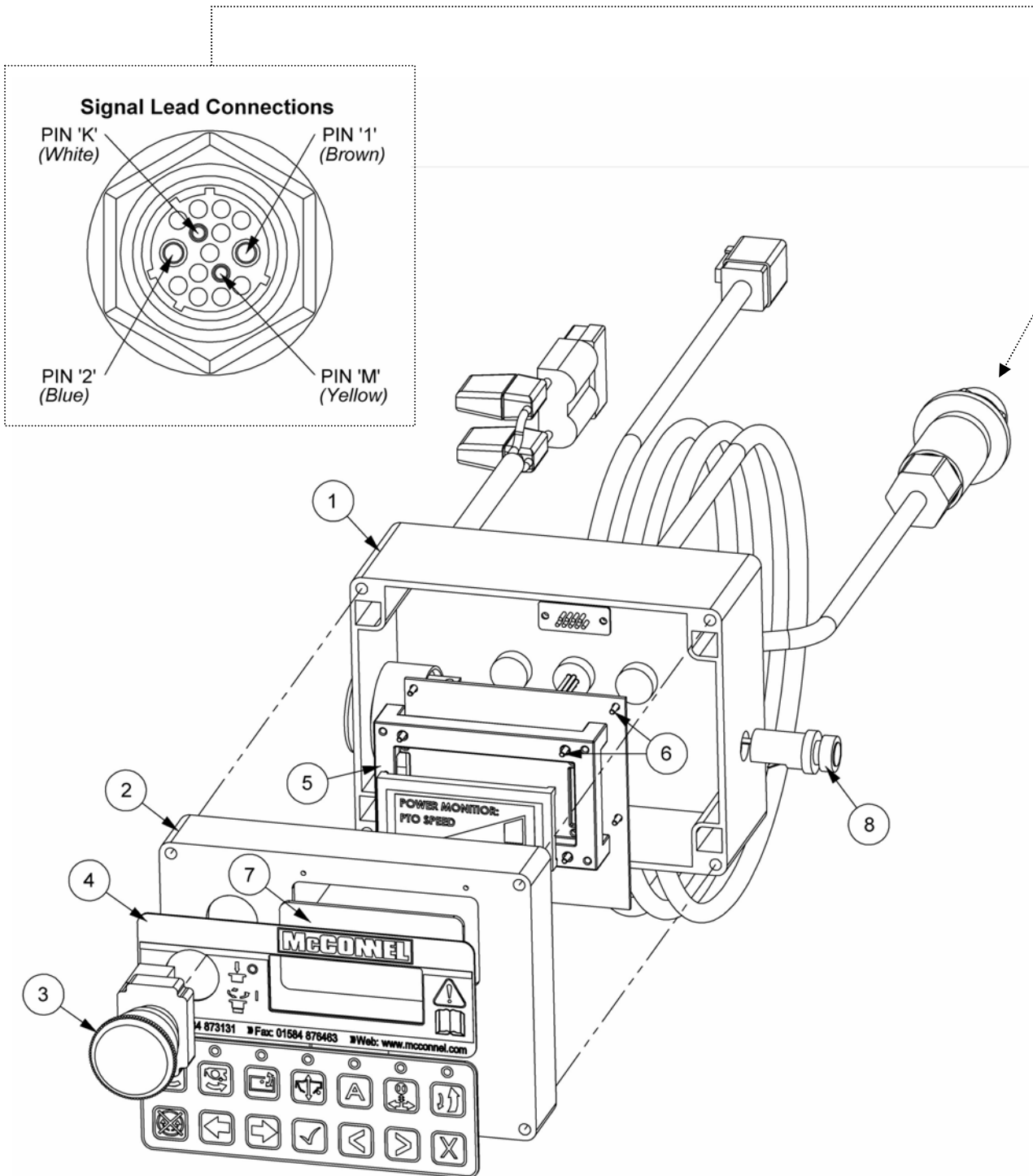


REF.	QTY.	PART No.	DESCRIPTION
		<b>22073.01</b>	<b>V4 CONTROLS WITH JC6000</b>
1	1	22073.14	V4 CONTROL BOX (MK2)
2	4	2800243	SELF TAPPING SCREW
3	1	22073.03	V4 JOYSTICK ARMREST ASSEMBLY
4	1	22073.58	SCREEN MOUNT
5	1	22073.09	V4 SCREEN MOUNT KIT
6	8	9343032	CAPSCREW
7	8	9100102	FLAT WASHER
8	8	9143002	SELF-LOCKING NUT
9	1	8402700	WATER PROOF CARDBOARD BOX
10	1	1290717	BOX DECAL





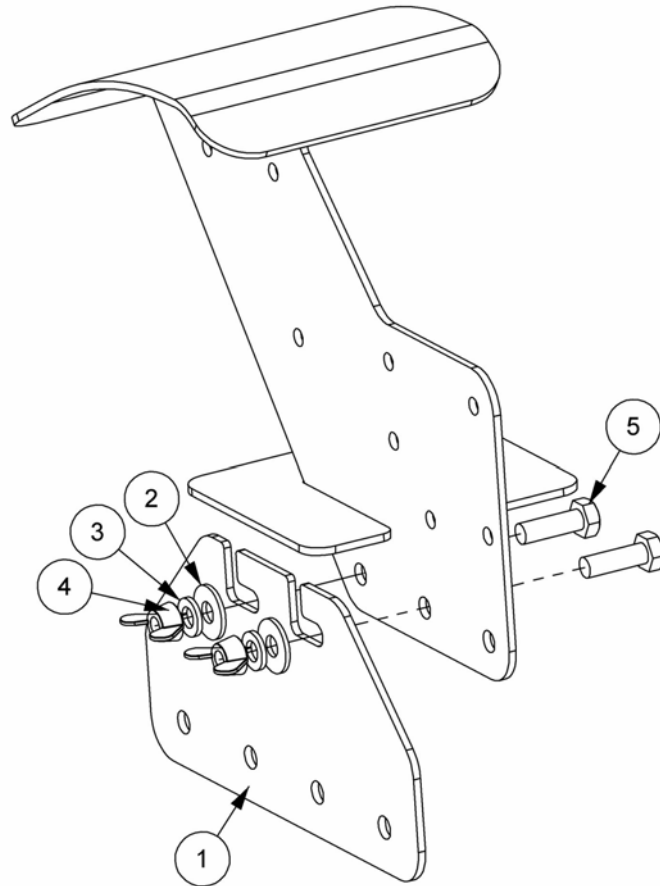
REF.	QTY.	PART No.	DESCRIPTION
		<b>22073.03</b>	<b>V4 JOYSTICK ARMREST ASSEMBLY</b>
1	1	22073.44	JOYSTICK ARMREST MOUNT
2	1	22073.45	ARM REST FOAM
3	2	7106187	NYLON STRAP <i>(Not Illustrated)</i>
4	1	22073.16	JOYSTICK c/w THUMB SWITCHES
5	2	1290740	DECAL - V4 PRO CONTROL
6	1	22073.59	DECAL MOUNT
7	1	1290739	DECAL - V4 OPERATIONS
8	1	1290741	DECAL - McCONNEL
9	1	1290742	DECAL - McCONNEL ROUNDEL



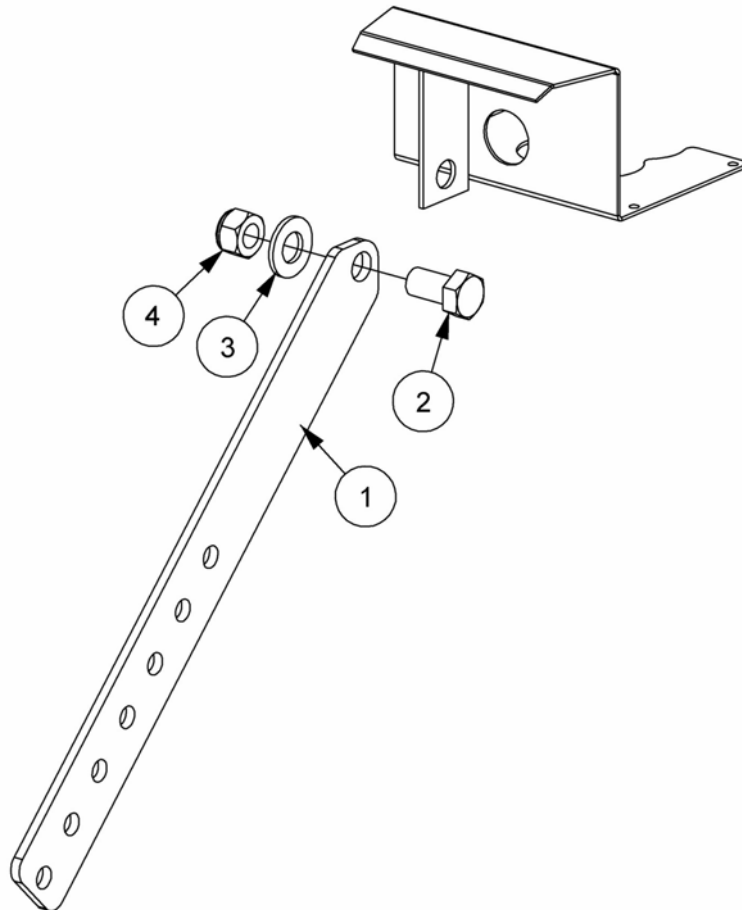
**V4 PROPORTIONAL CONTROL BOX (Mk2)****McCONNEL**

Module(s): 22073.14

<b>REF.</b>	<b>QTY.</b>	<b>PART No.</b>	<b>DESCRIPTION</b>
		<b>22073.14</b>	<b>V4 CONTROL BOX ASSEMBLY (Mk2)</b>
1	1	22073.62	V4 CONTROL BOX
2	1	22073.32	BOX LID
3	1	41786.33	SWITCH / EMERGENCY STOP
4	1	22073.35	V4 DECAL
5	1	22073.39	V4 SCREEN MOUNT
6	8	22073.42	SELF-TAPPING SCREW
7	1	22073.40	SCREEN COVER
8	1	22073.41	FUSE HOLDER - BAYONET CAP (10A)



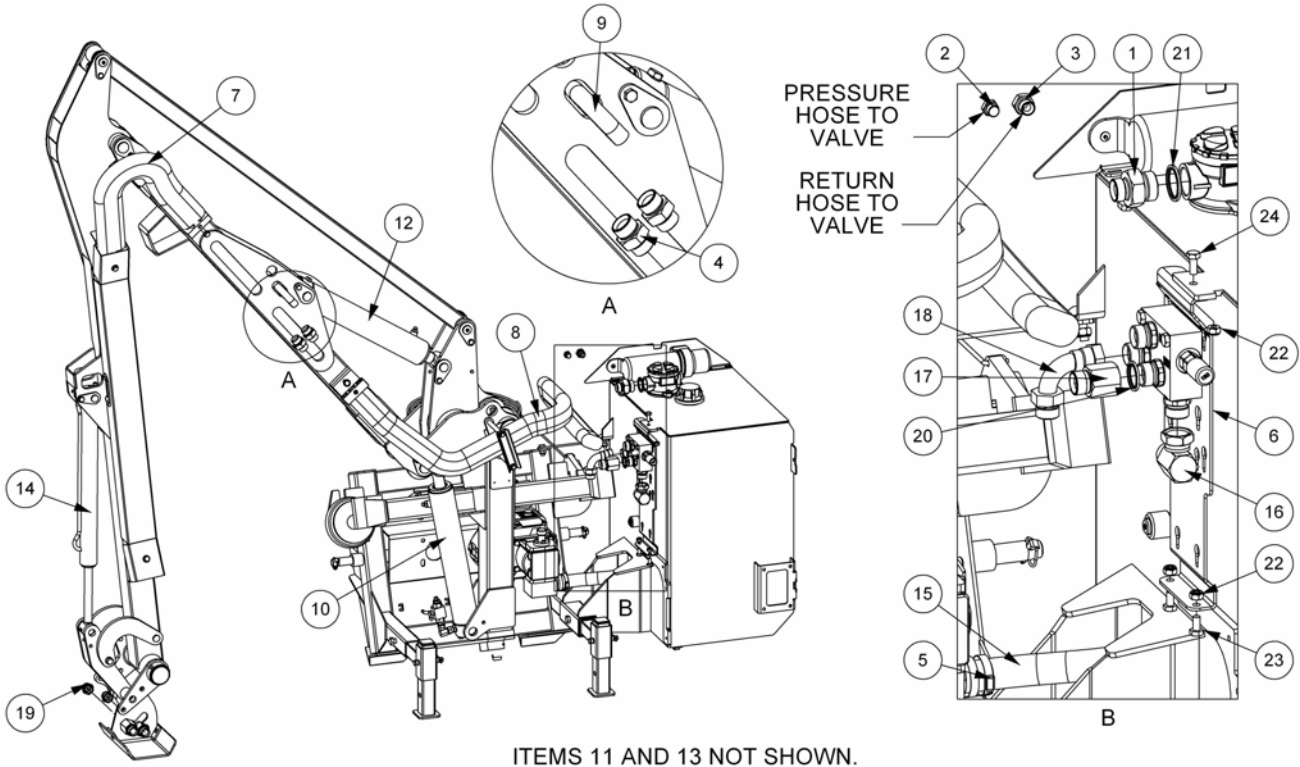
REF.	QTY.	PART No.	DESCRIPTION
		<b>7313282</b>	<b>CABLE CONTROL MOUNTING KIT</b>
1	1	42491.01	CAB MOUNTING BRACKET
2	2	9100104	FLAT WASHER
3	2	9100204	SPRING WASHER
4	2	9193004	WING NUT
5	2	9313054	SETSCREW



REF.	QTY.	PART No.	DESCRIPTION
		<b>7109319</b>	<b>ELECTRIC SWITCHBOX MOUNTING KIT</b>
1	1	7109146	CONTROL MOUNTING PILLAR
2	1	9313067	SETSCREW
3	1	0100106	FLAT WASHER
4	1	9163007	NYLOC NUT

# HYD. INSTALLATION – Cable SI (RRV) L/H Builds

Module(s): 7148777 - Std. Arm (*illustrated*), 7148779 – Fixed Midcut Arm

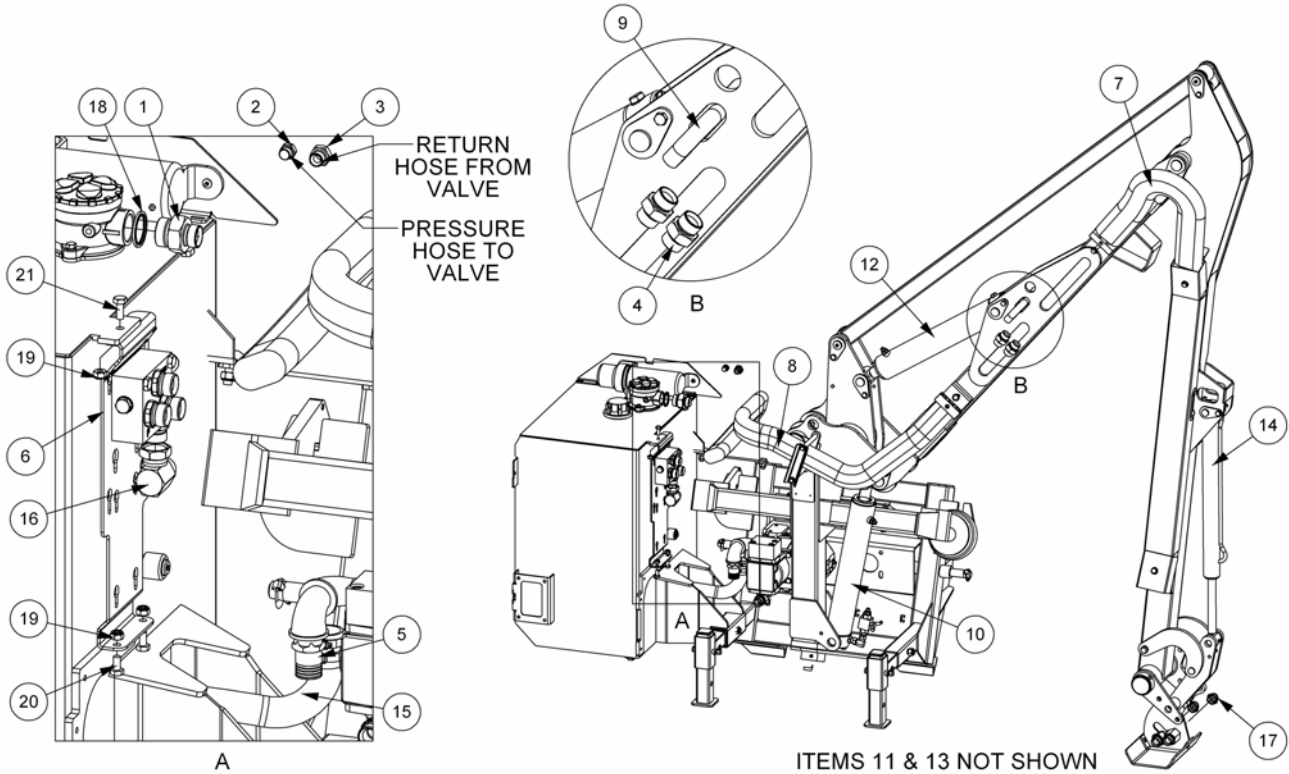


REF.	QTY.	PART NO.	DESCRIPTION
		<b>7148777</b>	<b>HYD. INST'N - Cable SI (RRV) L/H Standard Arm</b>
		<b>7148779</b>	<b>HYD. INST'N - Cable SI (RRV) L/H Fixed Midcut</b>
1	1	05.131.01	ADAPTOR
2	1	05.433.01	BLANKING PLUG
3	1	05.433.06	PLUG
4	2	05.434.01	ADAPTOR
5	4	0904107	HOSE CLIP
6	1	22506.02	VALVE MOUNTING
7	1	22590.17	HOSE SLEEVING - 850mm ( <i>Standard Models</i> )
	1	22590.21	HOSE SLEEVING - 1100mm ( <i>Fixed Midcut Models</i> )
8	1	22590.26	HOSE SLEEVING - 1600mm
9	1	22591.03	HOSE SLEEVING - 150mm
10	1	22601.03	LIFT RAM ASSEMBLY c/w TAP
11	3	7135084	CABLE TIE - 180mm
12	1	7193334	REACH RAM ASSEMBLY
13	4	7196045	HOSE TIE - 350mm
14	1	7560344	ANGLING RAM ASSEMBLY
15	1	8501472	SUCTION HOSE - 1½" BORE x 275mm
16	1	8581212	BLOCK ELBOW - 90°
17	1	8581241	EXTENSION ADAPTOR
18	1	8581264	SWEPT ADAPTOR - 90°
19	2	8582058	BLANKING CAP
20	1	8650108	BONDED SEAL
21	1	8650109	BONDED SEAL
22	3	9163005	NYLOC NUT
23	2	9313045	SETSCREW
24	1	9313055	SETSCREW

# HYD. INSTALLATION – Cable SI (RRV) R/H Builds

Module(s): 7148783 - Std. Arm (*illustrated*), 7148786 – Fixed Midcut Arm

# McCONEL

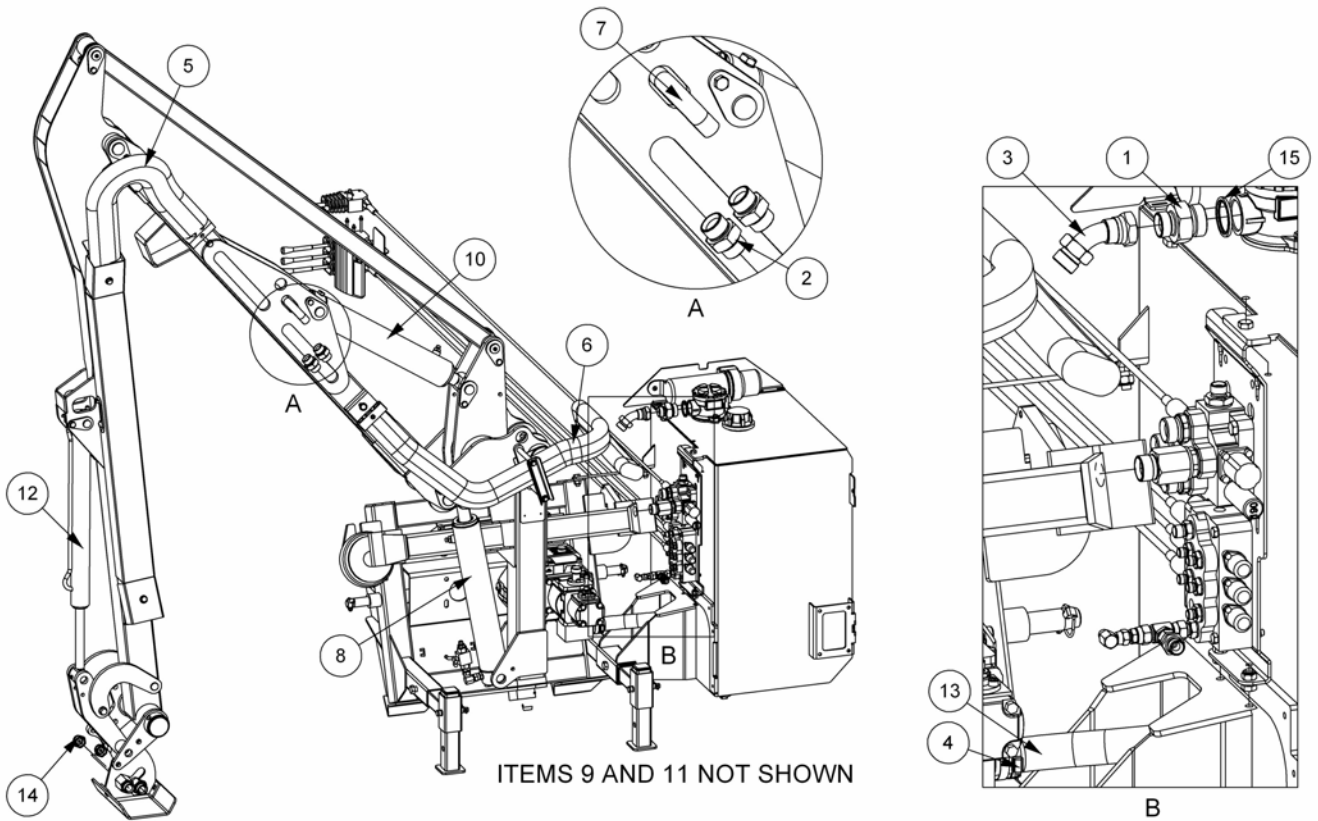


REF.	QTY.	PART NO.	DESCRIPTION
		<b>7148783</b>	<b>HYD. INST'N - Cable SI (RRV) R/H Standard Arm</b>
		<b>7148786</b>	<b>HYD. INST'N - Cable SI (RRV) R/H Fixed Midcut</b>
1	1	05.131.01	ADAPTOR
2	1	05.433.01	BLANKING PLUG
3	1	05.433.06	PLUG
4	2	05.434.01	ADAPTOR
5	4	0904107	HOSE CLIP
6	1	22506.02	VALVE MOUNTING
7	1	22590.17	HOSE SLEEVING - 850mm ( <i>Standard Models</i> )
	1	22590.21	HOSE SLEEVING - 1100mm ( <i>Fixed Midcut Models</i> )
8	1	22590.26	HOSE SLEEVING - 1600mm
9	1	22591.03	HOSE SLEEVING - 150mm
10	1	22601.03	LIFT RAM ASSEMBLY c/w TAP
11	3	7135084	CABLE TIE - 180mm
12	1	7193334	REACH RAM ASSEMBLY
13	4	7196045	HOSE TIE - 350mm
14	1	7560344	ANGLING RAM ASSEMBLY
15	1	8501471	SUCTION HOSE - 1½" BORE x 337mm
16	1	8581212	BLOCK ELBOW - 90°
17	2	8582058	BLANKING CAP
18	1	8650109	BONDED SEAL
19	3	9163005	NYLOC NUT
20	2	9313045	SETSCREW
21	1	9313055	SETSCREW

# HYD. INSTALLATION – Cable TI (Cable RCV) Builds

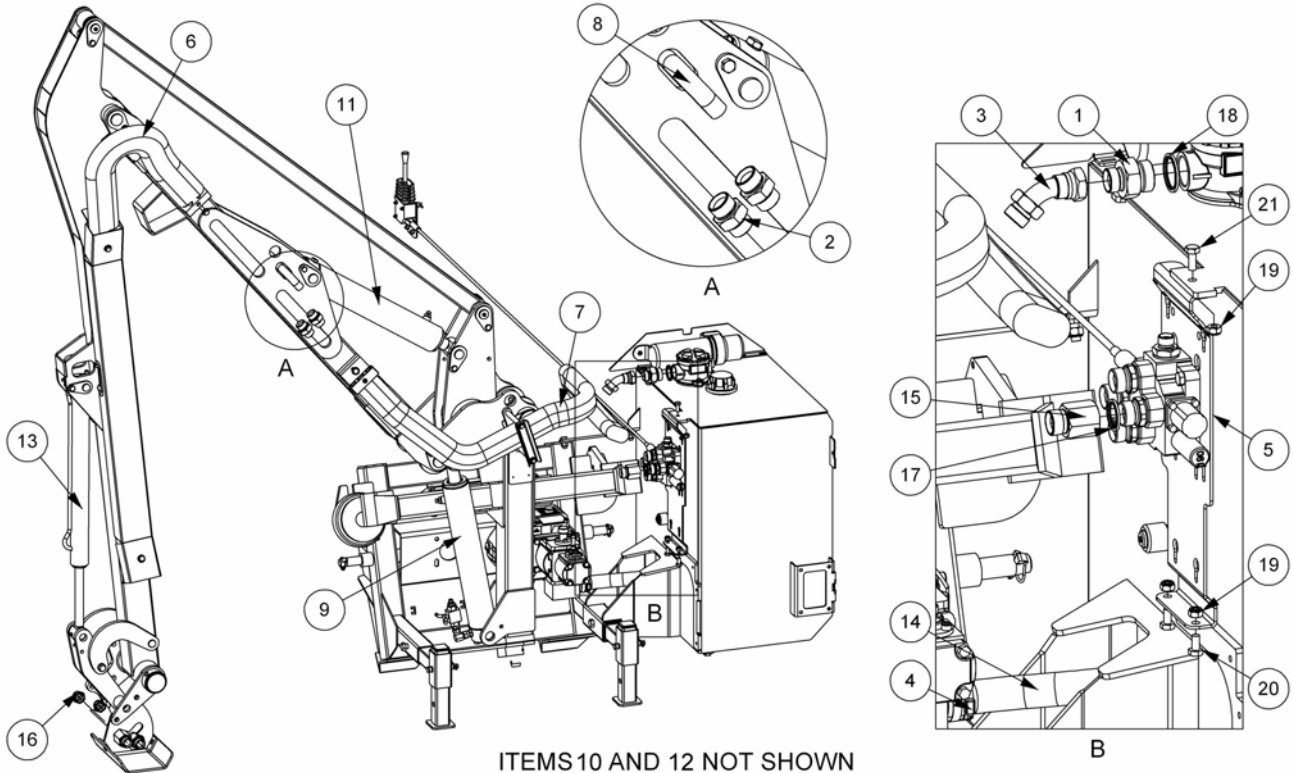
Module(s): 7148774 (illustrated), 7148780, 7148784, 7148787

# McCONEL



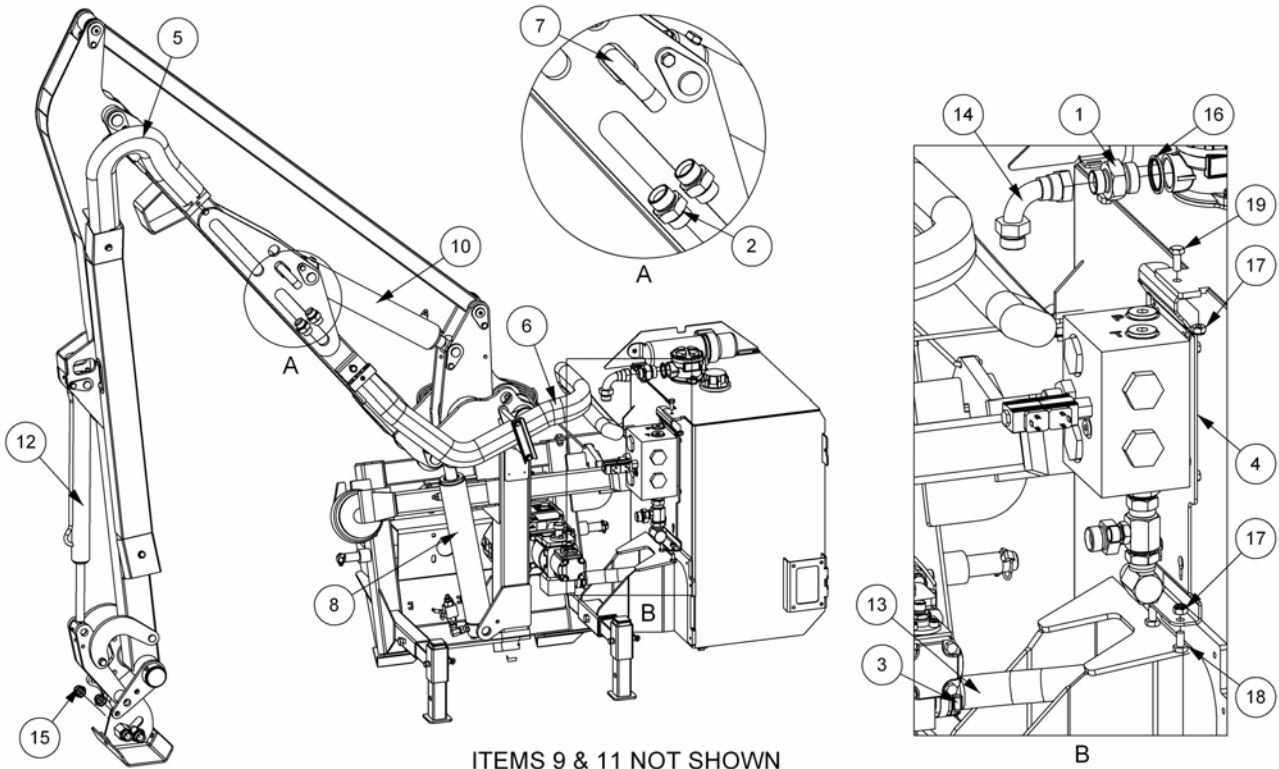
REF.	QTY.	PART NO.	DESCRIPTION
		<b>7148774</b>	<b>HYD. INST'N - Cable (Cable RCV) TI L/H Standard Arm</b>
		<b>7148780</b>	<b>HYD. INST'N - Cable (Cable RCV) TI L/H Midcut Arm</b>
		<b>7148784</b>	<b>HYD. INST'N - Cable (Cable RCV) TI R/H Standard Arm</b>
		<b>7148787</b>	<b>HYD. INST'N - Cable (Cable RCV) TI R/H Midcut Arm</b>
1	1	05.131.01	ADAPTOR
2	2	05.434.01	ADAPTOR
3	1	08.940.02	ADAPTOR - 135°
4	4	0904107	HOSE CLIP
5	1	22590.17	HOSE SLEEVING - 850mm (Standard Models)
	1	22590.21	HOSE SLEEVING - 1100mm (Fixed Midcut Models)
6	1	22590.26	HOSE SLEEVING - 1600mm
7	1	22591.03	HOSE SLEEVING - 150mm
8	1	22601.03	LIFT RAM ASSEMBLY c/w TAP
9	3	7135084	CABLE TIE - 180mm
10	1	7193334	REACH RAM ASSEMBLY
11	4	7196045	HOSE TIE - 350mm
12	1	7560344	ANGLING RAM ASSEMBLY
13	1	8501472	SUCTION HOSE - 1½" BORE x 275mm (L/H Builds)
	1	8501471	SUCTION HOSE - 1½" BORE x 337mm (R/H Builds)
14	2	8582058	BLANKING CAP
15	1	8650109	BONDED SEAL



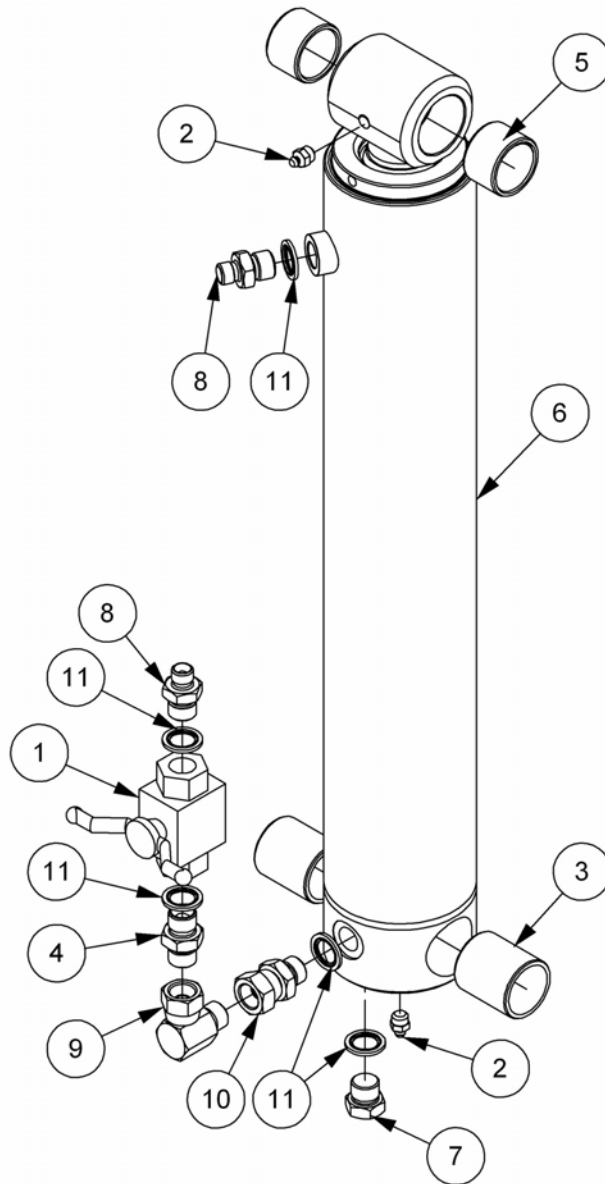


REF.	QTY.	PART NO.	DESCRIPTION
		<b>7148794</b>	<b>HYD. INST'N - Elec. (Cable RCV) TI L/H Standard Arm</b>
		<b>7148795</b>	<b>HYD. INST'N - Elec. (Cable RCV) TI R/H Standard Arm</b>
		<b>7148796</b>	<b>HYD. INST'N - Elec. (Cable RCV) TI L/H Midcut Arm</b>
		<b>7148797</b>	<b>HYD. INST'N - Elec. (Cable RCV) TI R/H Midcut Arm</b>
1	1	05.131.01	ADAPTOR
2	2	05.434.01	ADAPTOR
3	1	08.940.02	ADAPTOR - 135°
4	4	0904107	HOSE CLIP
5	1	22506.02	VALVE MOUNTING
6	1	22590.17	HOSE SLEEVING - 850mm (Standard Models)
	1	22590.21	HOSE SLEEVING - 1100mm (Fixed Midcut Models)
7	1	22590.26	HOSE SLEEVING - 1600mm
8	1	22591.03	HOSE SLEEVING - 150mm
9	1	22601.03	LIFT RAM ASSEMBLY c/w TAP
10	3	7135084	CABLE TIE - 180mm
11	1	7193334	REACH RAM ASSEMBLY
12	4	7196045	HOSE TIE - 350mm
13	1	7560344	ANGLING RAM ASSEMBLY
14	1	8501472	SUCTION HOSE - 1½" BORE x 275mm (L/H Builds)
	1	8501471	SUCTION HOSE - 1½" BORE x 337mm (R/H Builds)
15	1	8581241	EXTENSION ADAPTOR
16	2	8582058	BLANKING CAP
17	1	8650108	BONDED SEAL
18	1	8650109	BONDED SEAL
19	3	9163005	NYLOC NUT
20	2	9313045	SETSCREW
21	1	9313055	SETSCREW

Module(s): 7148778 (illustrated), 7148781, 7148785, 7148788



REF.	QTY.	PART NO.	DESCRIPTION
		<b>7148778</b>	<b>HYD. INST'N - Elec. (Elec. RCV) TI L/H Standard Arm</b>
		<b>7148781</b>	<b>HYD. INST'N - Elec. (Elec. RCV) TI L/H Midcut Arm</b>
		<b>7148785</b>	<b>HYD. INST'N - Elec. (Elec. RCV) TI R/H Standard Arm</b>
		<b>7148788</b>	<b>HYD. INST'N - Elec. (Elec. RCV) TI R/H Midcut Arm</b>
1	1	05.131.01	ADAPTOR
2	2	05.434.01	ADAPTOR
3	4	0904107	HOSE CLIP
4	1	22506.02	VALVE MOUNTING
5	1	22590.17	HOSE SLEEVING - 850mm (Standard Models)
		22590.21	HOSE SLEEVING - 1100mm (Fixed Midcut Models)
6	1	22590.26	HOSE SLEEVING - 1600mm
7	1	22591.03	HOSE SLEEVING - 150mm
8	1	22601.03	LIFT RAM ASSEMBLY c/w TAP
9	3	7135084	CABLE TIE - 180mm
10	1	7193334	REACH RAM ASSEMBLY
11	4	7196045	HOSE TIE - 350mm
12	1	7560344	ANGLING RAM ASSEMBLY
13	1	8501472	SUCTION HOSE - 1½" BORE x 275mm (L/H Builds)
		8501471	SUCTION HOSE - 1½" BORE x 337mm (R/H Builds)
14	1	8581264	SWEPT ADAPTOR - 90°
15	2	8582058	BLANKING CAP
16	1	8650109	BONDED SEAL
17	3	9163005	NYLOC NUT
18	2	9313045	SETSCREW
19	1	9313055	SETSCREW

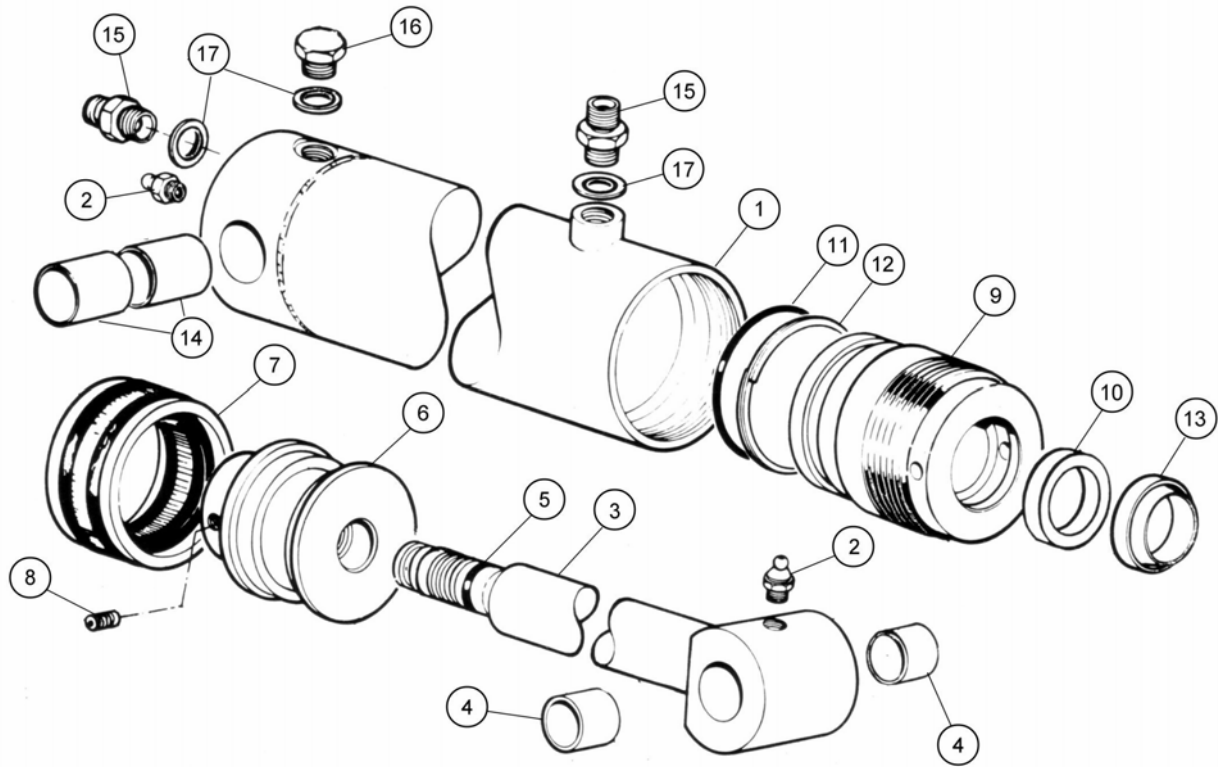


REF.	QTY.	PART NO.	DESCRIPTION
		<b>22601.03</b>	<b>LIFT RAM ASSEMBLY</b>
1	1	08.200.01	ISOLATING VALVE
2	2	0901121	GREASE NIPPLE
3	2	21149.02	PLASTIC BUSH
4	1	6000113	ADAPTOR
5	2	6012032	PLASTIC BUSH
6	1	7193332	RAM ASSEMBLY
7	1	8003001	ADAPTOR PLUG
8	2	8581115	ADAPTOR
9	1	8581117	ADAPTOR ELBOW
10	1	8581178	SWIVEL ADAPTOR
11	5	8650103	BONDED SEAL
		<b>8699187</b>	<b>SEAL KIT</b>

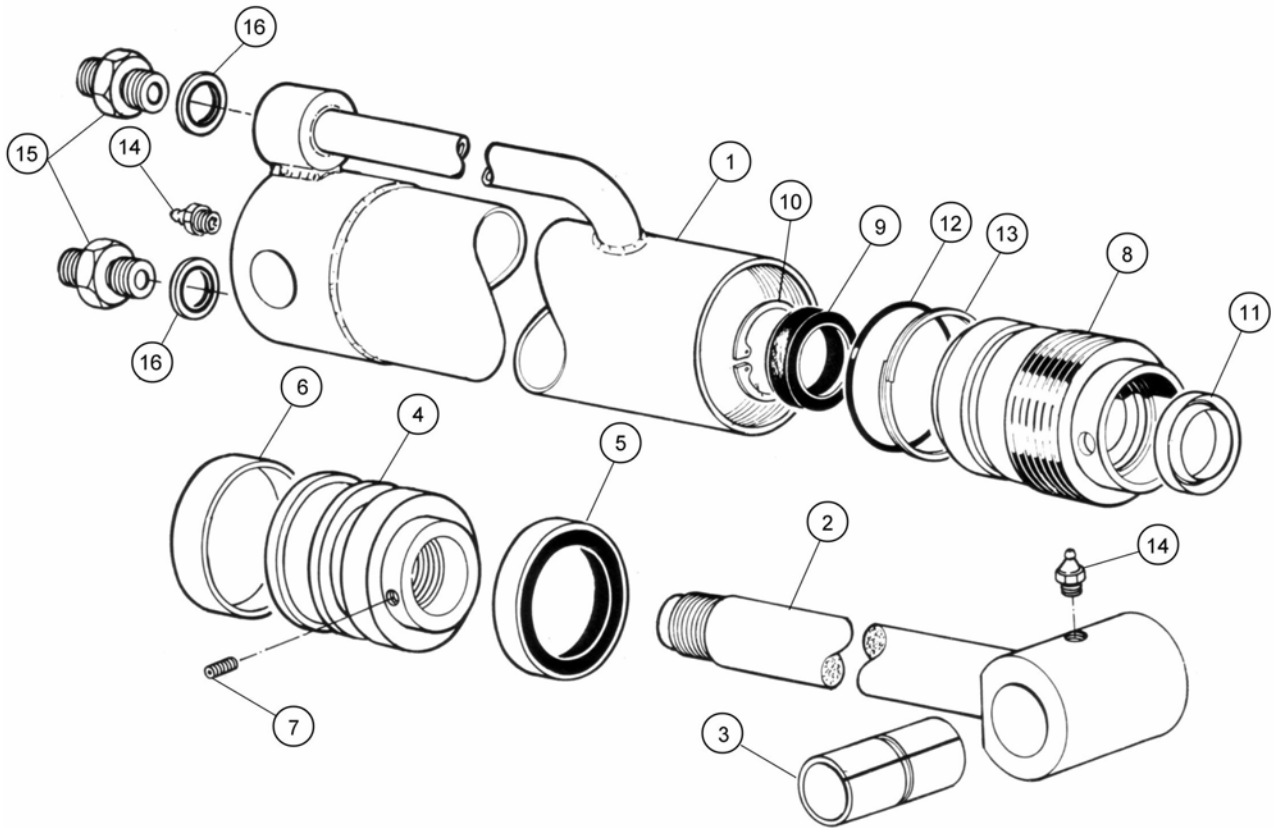
# REACH RAM ASSEMBLY

**McCONNEL**

Module(s): 7193334



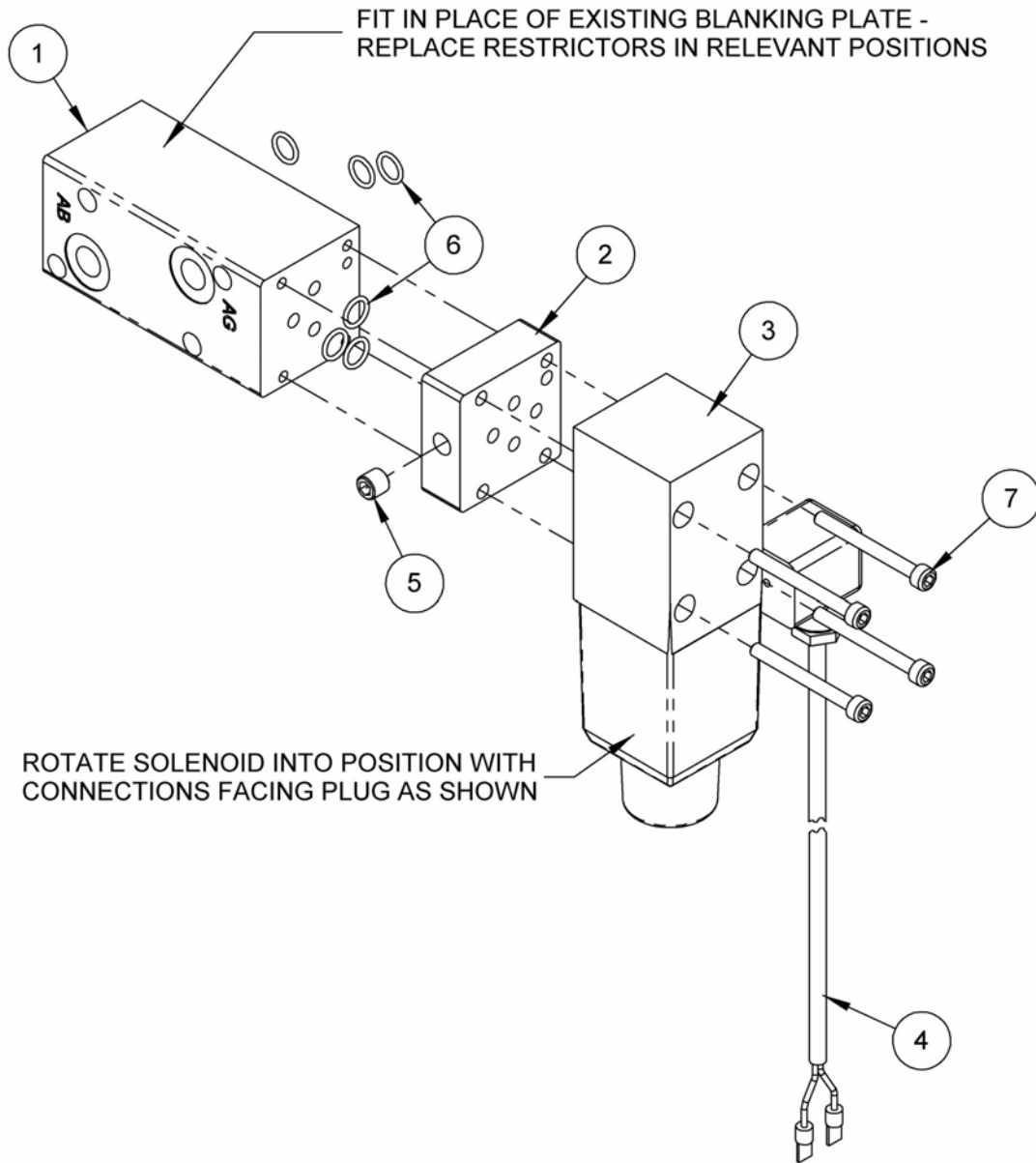
REF.	QTY.	PART No.	DESCRIPTION
		<b>7193334</b>	<b>REACH RAM ASSEMBLY</b>
		7193332	RAM ASSEMBLY - comprising:
1	1	7135283	RAM CYLINDER
2	2	0901121	GREASER
3	1	7193029	PISTON ROD
4	2	6012032	BUSH
5	1	8600119	O RING
6	1	7135004	PISTON (includes items 7 & 8)
7	1	8638740	PISTON SEAL
8	1	9363023	GRUB SCREW
9	1	7135282	GLAND HOUSING
10	1	8629164	GLAND SEAL
11	1	8700740	O RING
12	1	8709740	ANTI EXTRUSION RING
13	1	8629147	WIPER
14	2	7101134	BUSH (RAM BASE)
15	2	8581115	ADAPTOR
16	1	8003001	PLUG
17	3	8650103	BONDED SEAL
		<b>8699187</b>	<b>SEAL KIT</b>



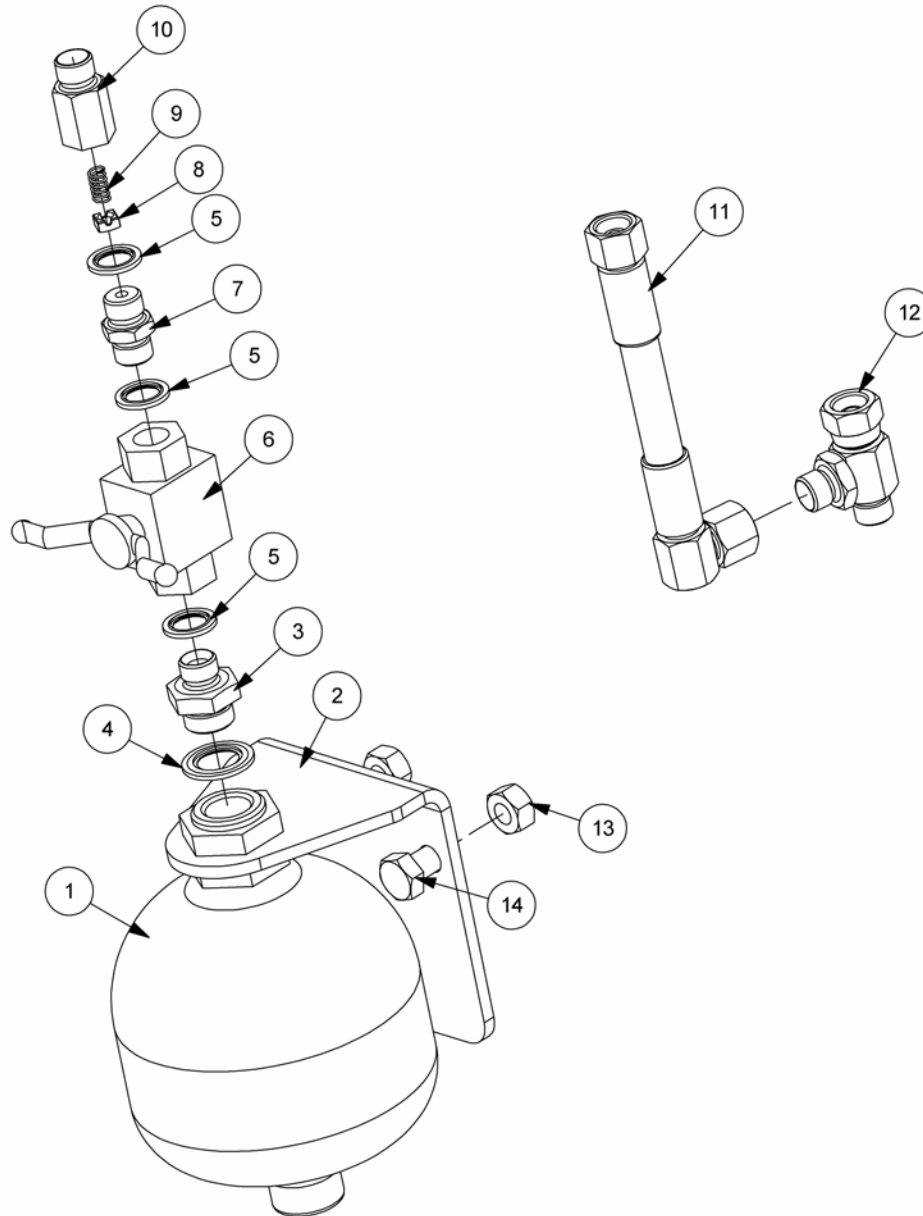
REF.	QTY.	PART No.	DESCRIPTION
		<b>7560344</b>	<b>ANGLING RAM ASSEMBLY</b>
		7560354	ANGLING RAM - <i>Comprising of:</i>
1	1	7135292	CYLINDER
2	1	7135009	ROD
3	1	7105050	BUSH
4	1	7560095	PISTON
5	1	8629187	PISTON SEAL
6	1	8629188	BEARING RING
7*	1	9363023	GRUB SCREW - SOCKET HEAD
8	1	7135291	GLAND HOUSING
9	1	8629148	GLAND SEAL
10	1	0416240	INTERNAL CIRCLIP
11	1	8629149	WIPER SEAL
12	1	8600302	O RING
13	1	8609302	ANTI EXTRUSION RING
14	2	0901121	GREASER
15	2	8581169	ADAPTOR
16	2	8650102	BONDED SEAL

**8699188 SEAL KIT**

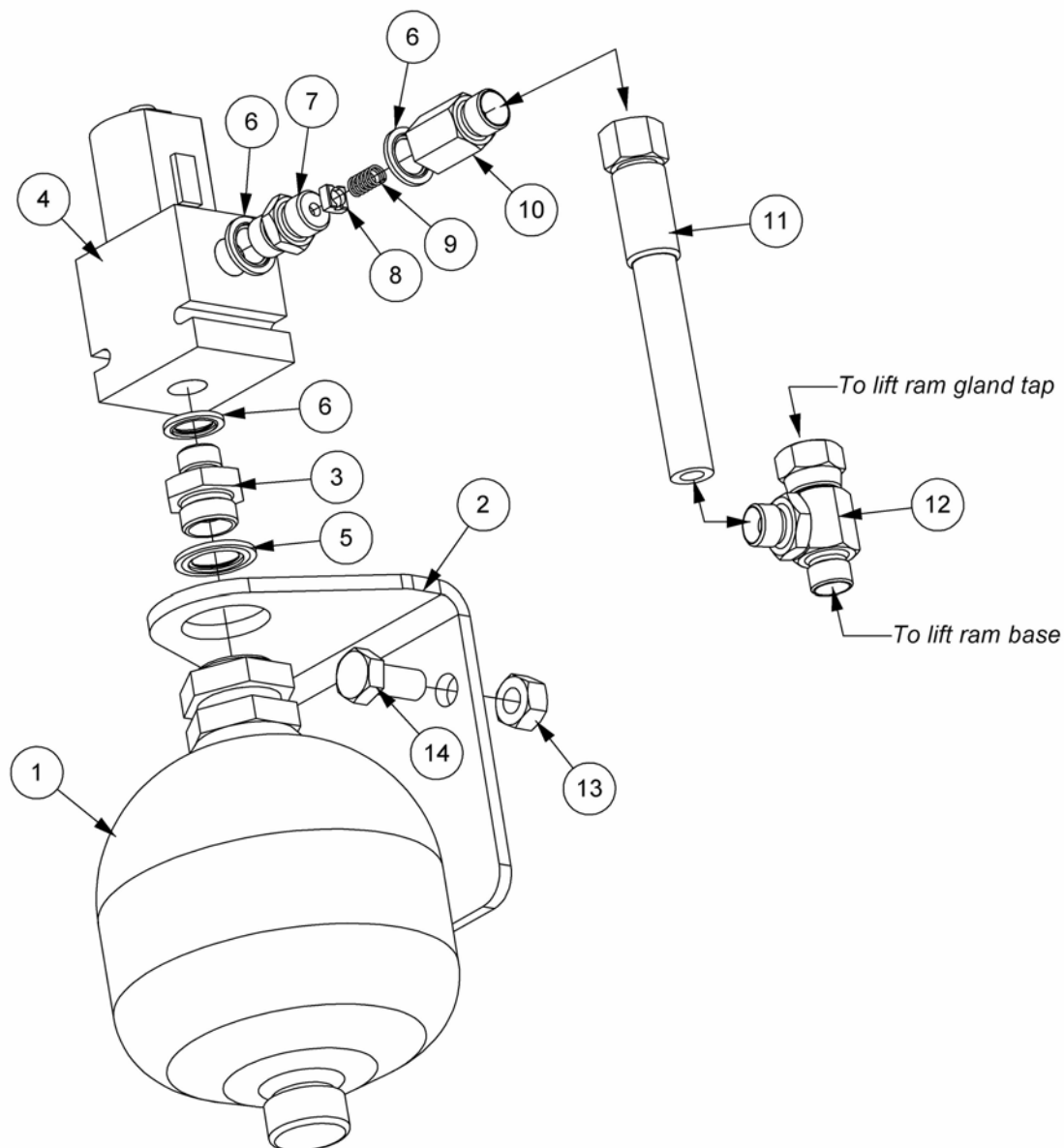
\* Assembly note: Tighten fully and centre punch edge of hole to secure.



REF.	QTY.	PART No.	DESCRIPTION
		<b>8126352</b>	<b>ANGLE FLOAT KIT (Optional Extra)</b>
1	1	8126333	FLOAT VALVE BLOCK
2	1	8126334	BRIDGING PLATE
3	1	8130457	SINGLE SOLENOID VALVE
4	1	8402338	LOOM - ANGLE FLOAT
5	1	8582041	TAPER PLUG
6	6	8700511	O RING
7	4	9243102	CAPSCREW

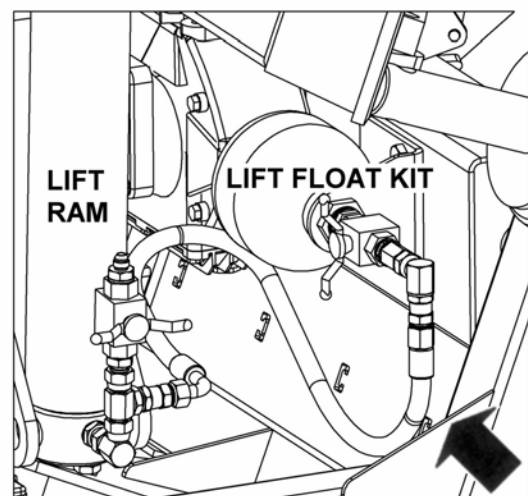
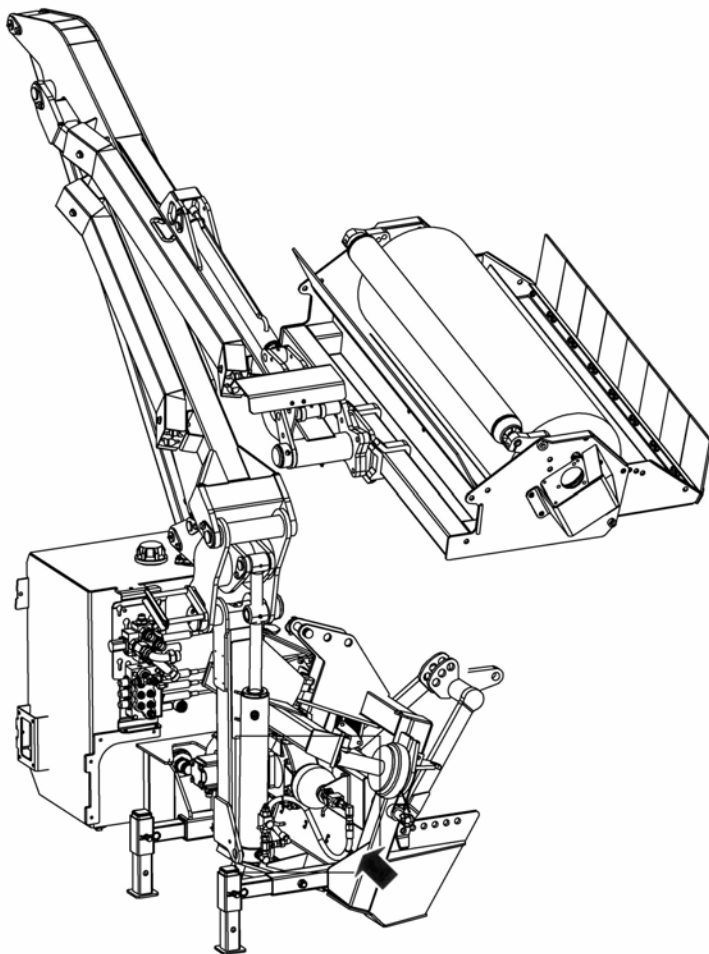


REF.	QTY.	PART No.	DESCRIPTION
		<b>8126326</b>	<b>LIFT FLOAT KIT - Cable Models</b>
1	1	8126044	ACCUMULATOR
2	1	8126318	BRACKET
3	1	G2410380	ADAPTOR
4	1	8650322	BONDED SEAL
5	3	8650103	BONDED SEAL
6	1	08.200.01	ISOLATING VALVE
7	1	8581209	ADAPTOR
8	1	8123041	RESTRICTOR DISC - 1.15 RED
9	1	8116011	SPRING
10	1	8581346	ADAPTOR RESTRICTOR BODY
11	1	10.004.20	HOSE - 3/8" BSP FS/F90 x 1000mm
12	1	11.068.69	ADAPTOR TEE
13	2	9143006	SELF-LOCKING NUT
14	2	9313056	SETSCREW



REF.	QTY.	PART No.	DESCRIPTION
		<b>8126327</b>	<b>LIFT FLOAT KIT - Electric Models</b>
1	1	8126044	ACCUMULATOR
2	1	8126318	BRACKET
3	1	G2410380	ADAPTOR
4	1	08.619.09	MODULAR VALVE
5	1	8650322	BONDED SEAL
6	3	8650103	BONDED SEAL
7	1	8581209	ADAPTOR
8	1	8123041	RESTRICTOR DISC - 1.15 RED
9	1	8116011	SPRING
10	1	8581346	ADAPTOR RESTRICTOR BODY
11	1	10.004.18	HOSE - 3/8" BSP FS/F90 x 900mm
12	1	11.068.69	ADAPTOR TEE
13	2	9143006	SELF-LOCKING NUT
14	2	9313056	SETSCREW



*R/H Build machine illustrated***Lift Float Kit Location**

On electric controlled machines the cable from the poppet valve solenoid is connected to the lift float switch on the switchbox.

In work with the poppet valve open the flail head will automatically follow the ground contours.

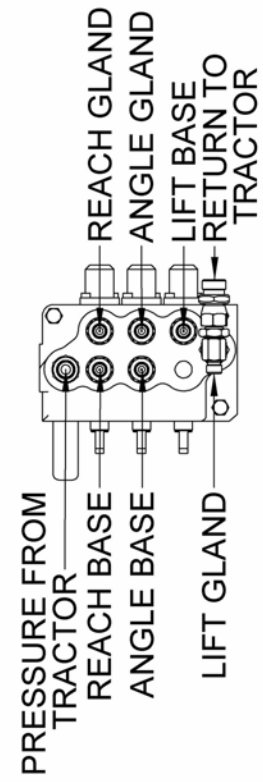
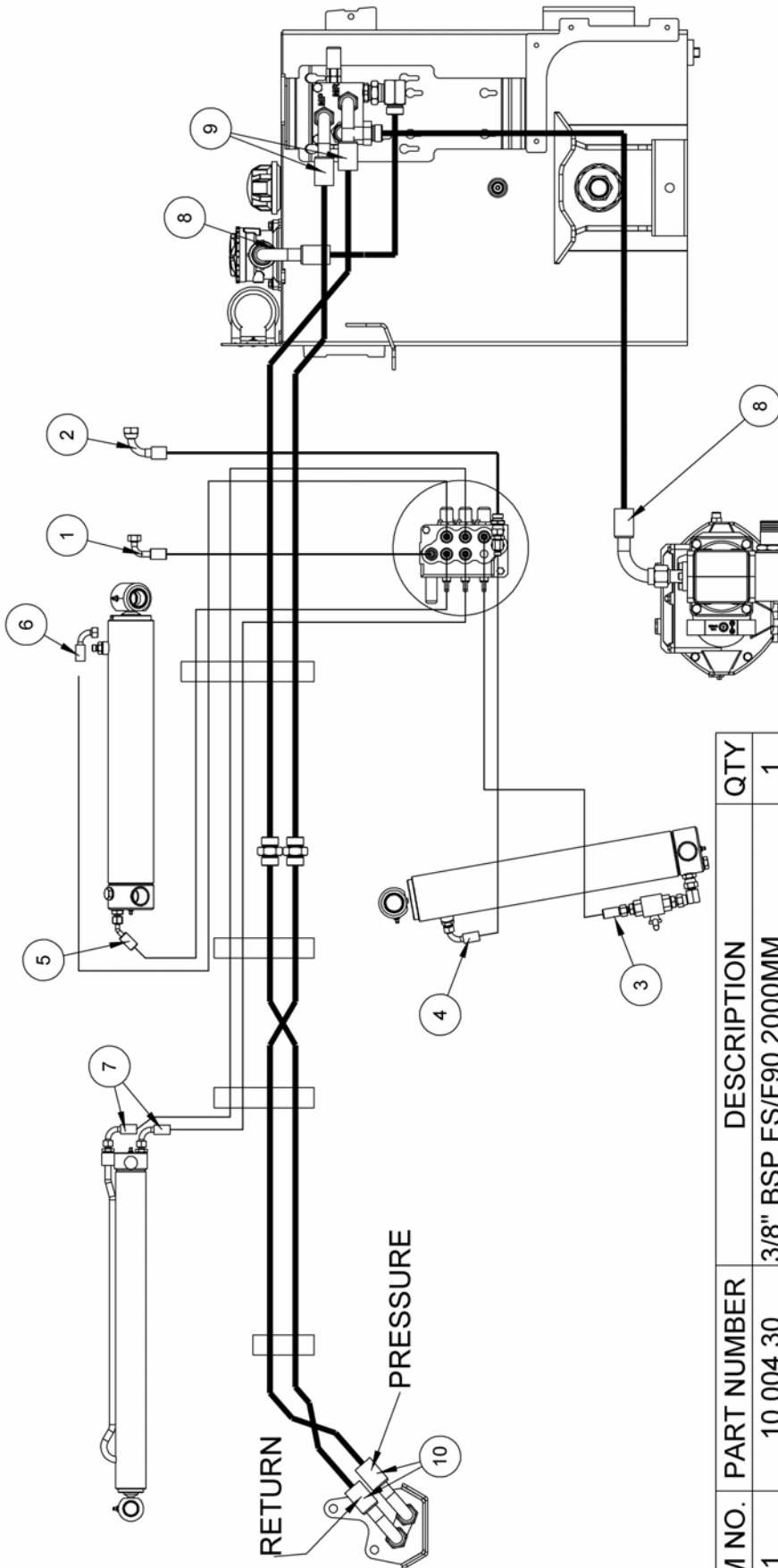
The float function is engaged either by selection of the lift float switch on electric machines or by manually operating the 'manual override' on top of the poppet valve.

The lift control should be operated to take a proportion of the flail head weight off the flail roller. This is important, too little weight on the roller will leave uncut areas of grass while with too much weight on the roller the ground will be scalped in places and increased flail wear, damage, or even loss of flails could occur. To revert to standard operation the accumulator is isolated from the lift ram, by deselecting the float switch or by returning the manual override to the 'off' position.

On Multilever Electric machines where both lift float and angle float functions are fitted a switching kit (*part number 8402303*) is available which isolates the angle float. This allows the machine to be operated with either the lift and angle floats functioning together or with the lift float operating alone.

On Monolever Electric and Proportional machines the lift float can be operated alone or with lift and angle floats functioning together. The two-core cable is connected from the solenoid to wires 10 & 14 on the main harness.

Module(s): 714872210

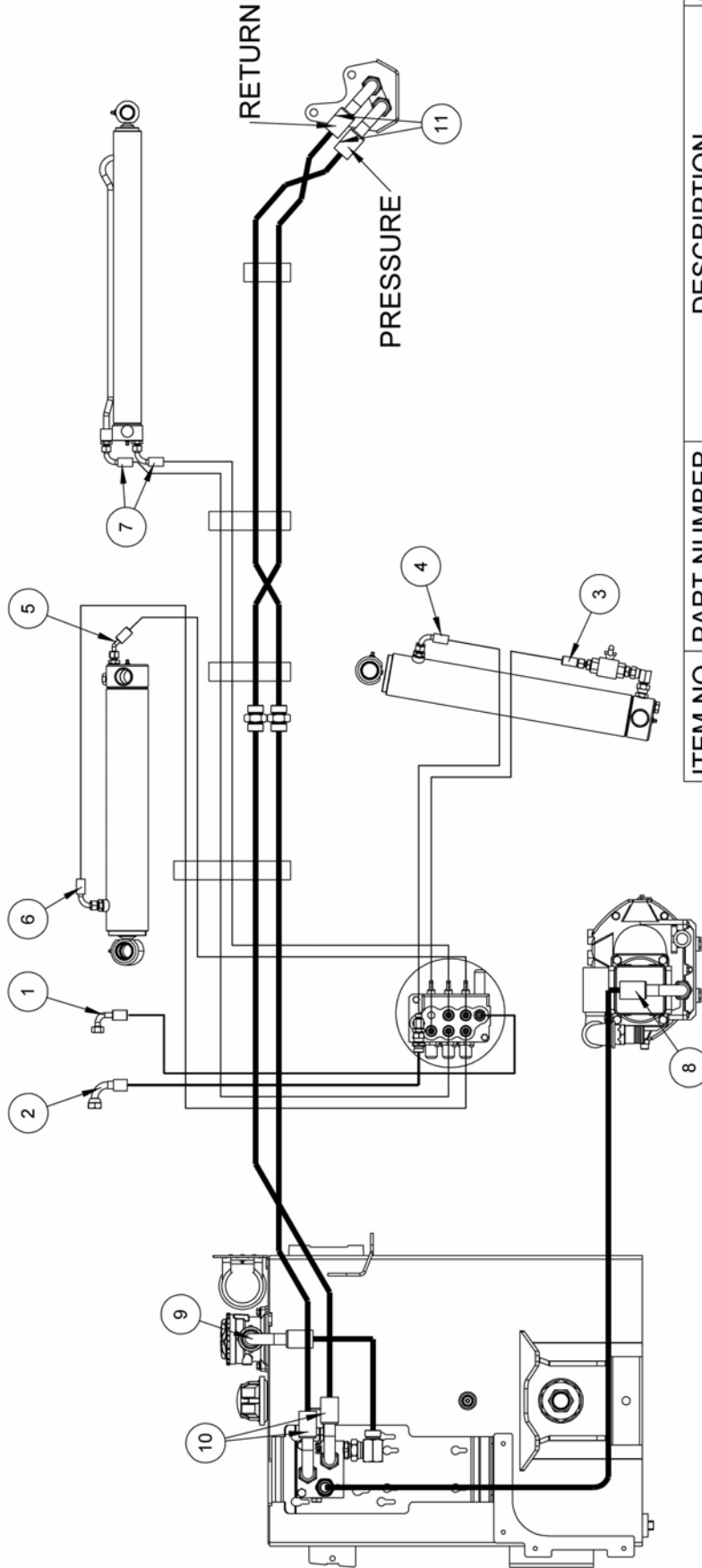


ITEM NO.	PART NUMBER	DESCRIPTION	QTY
1	10.004.30	3/8" BSP FS/F90 2000MM	1
2	10.006.30	1/2" BSP FS/F90 2000MM	1
3	10.001.31	1/4" BSP FS/FS 2100MM	1
4	10.002.32	1/4" BSP FS/F90 2200MM	1
5	10.017.38	1/4" BSP FS/F135 2800MM	1
6	10.002.43	1/4" BSP FS/F90 3300MM	1
7	10.002.55	1/4" BSP FS/F90 4500MM	2
8	10.012.10	1" BSP FS/F90 500MM	2
9	10.012.34	1" BSP FS/F90 2400MM	2
10	10.012.41	1" BSP FS/F90 3100MM	2

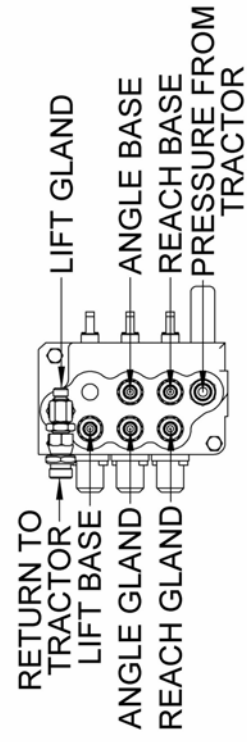
HOSE KIT – R/H Standard SI Cable



Module(s): 714872211

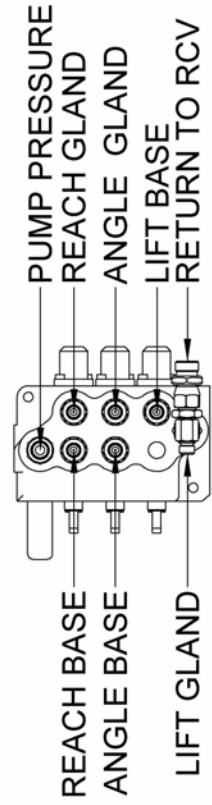
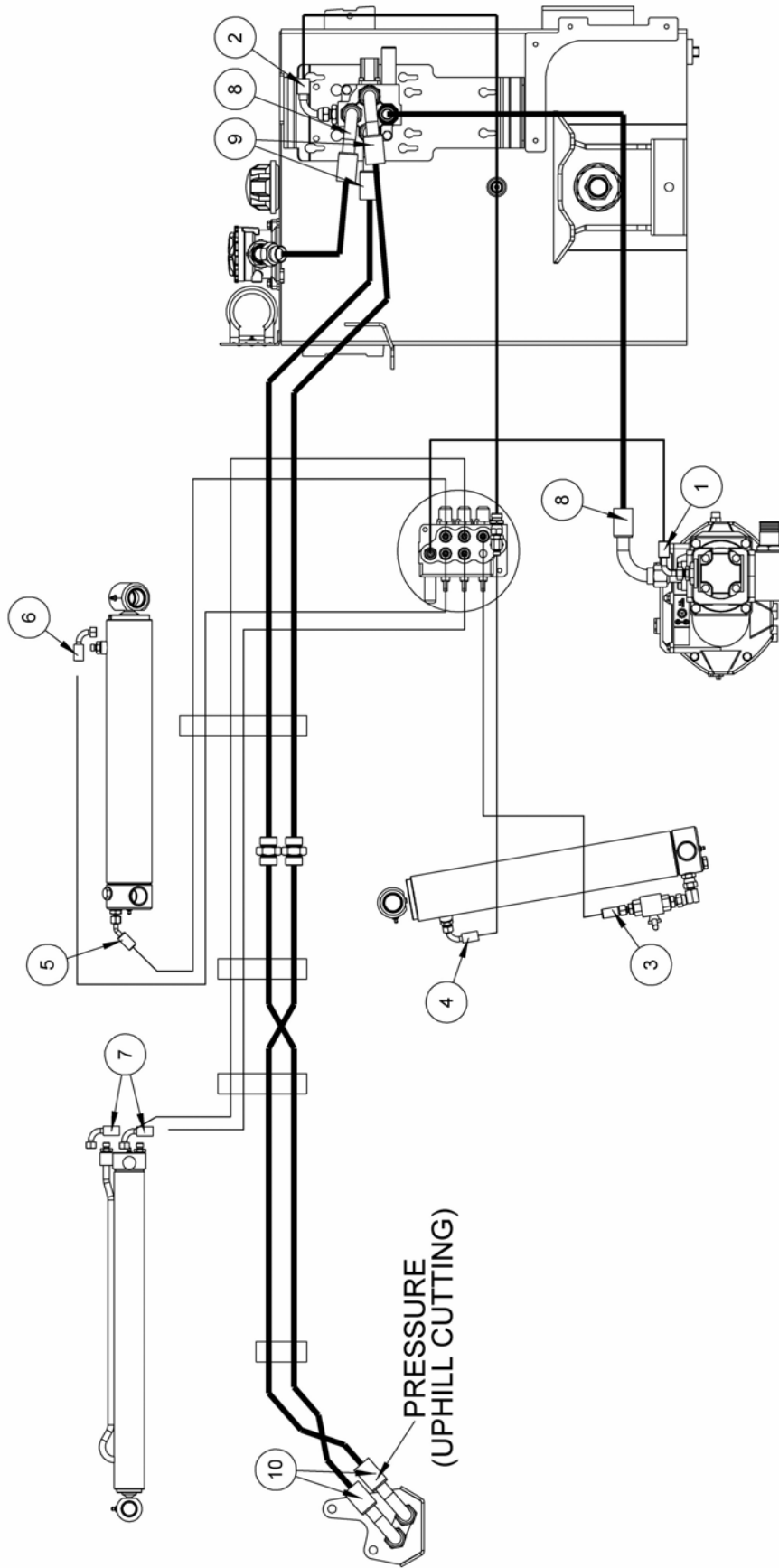


ITEM NO.	PART NUMBER	DESCRIPTION	QTY.
1	10.004.30	3/8" BSP FS/F90 2000MM	1
2	10.006.30	1/2" BSP FS/F90 2000MM	1
3	10.001.31	1/4" BSP FS/FS 2100MM	1
4	10.002.32	1/4" BSP FS/F90 2200MM	1
5	10.017.38	1/4" BSP FS/F135 2800MM	1
6	10.002.43	1/4" BSP FS/F90 3300MM	1
7	10.002.55	1/4" BSP FS/F90 4500MM	2
8	10.012.16	1" BSP FS/F90 800MM	1
9	10.012.10	1" BSP FS/F90 500MM	1
10	10.012.34	1" BSP FS/F90 2400MM	2
11	10.012.41	1" BSP FS/F90 3100MM	2

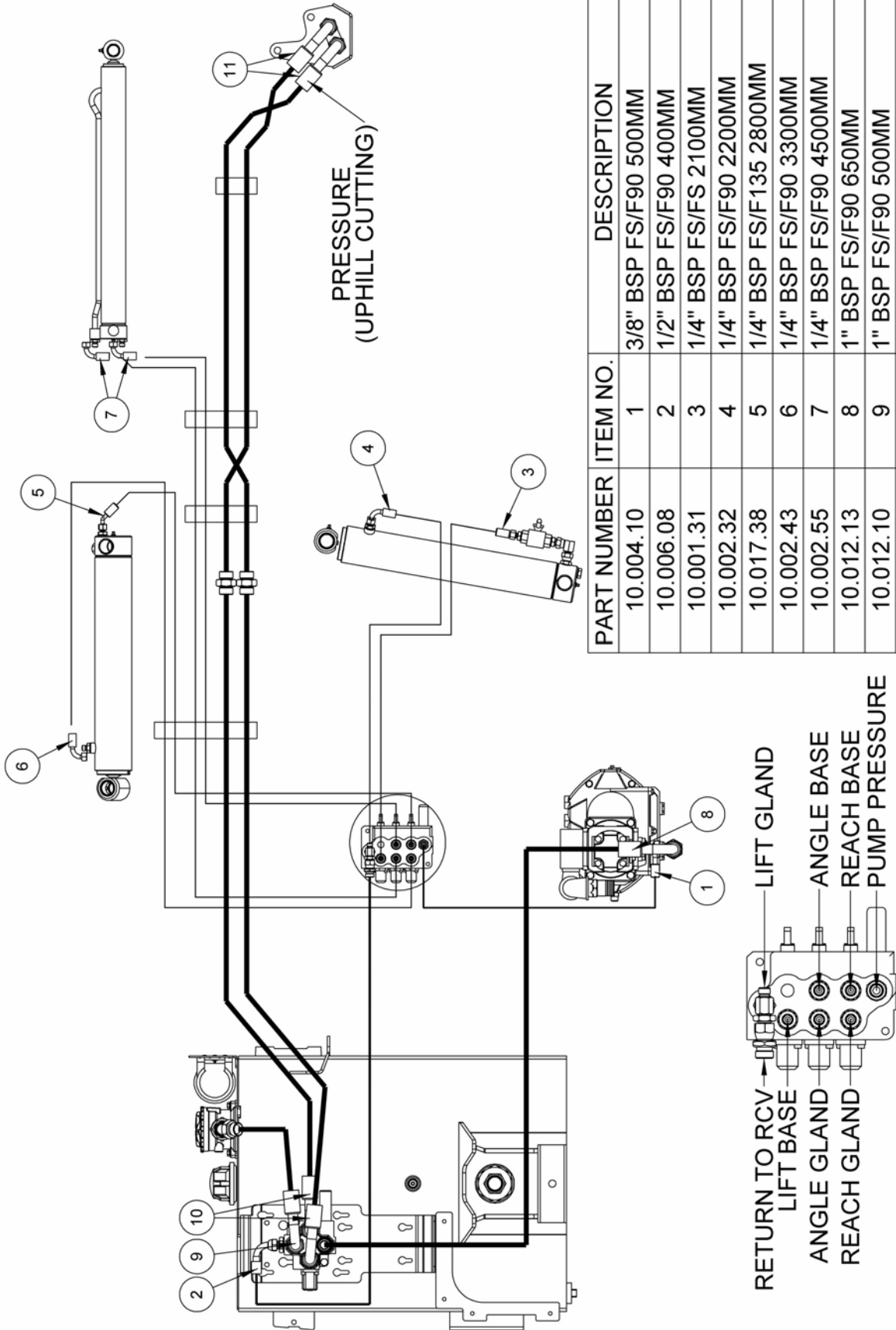


# HOSE KIT – L/H Standard TI Cable

Module(s): 714872212

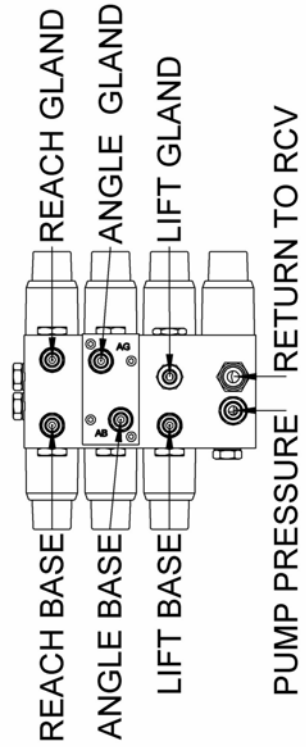
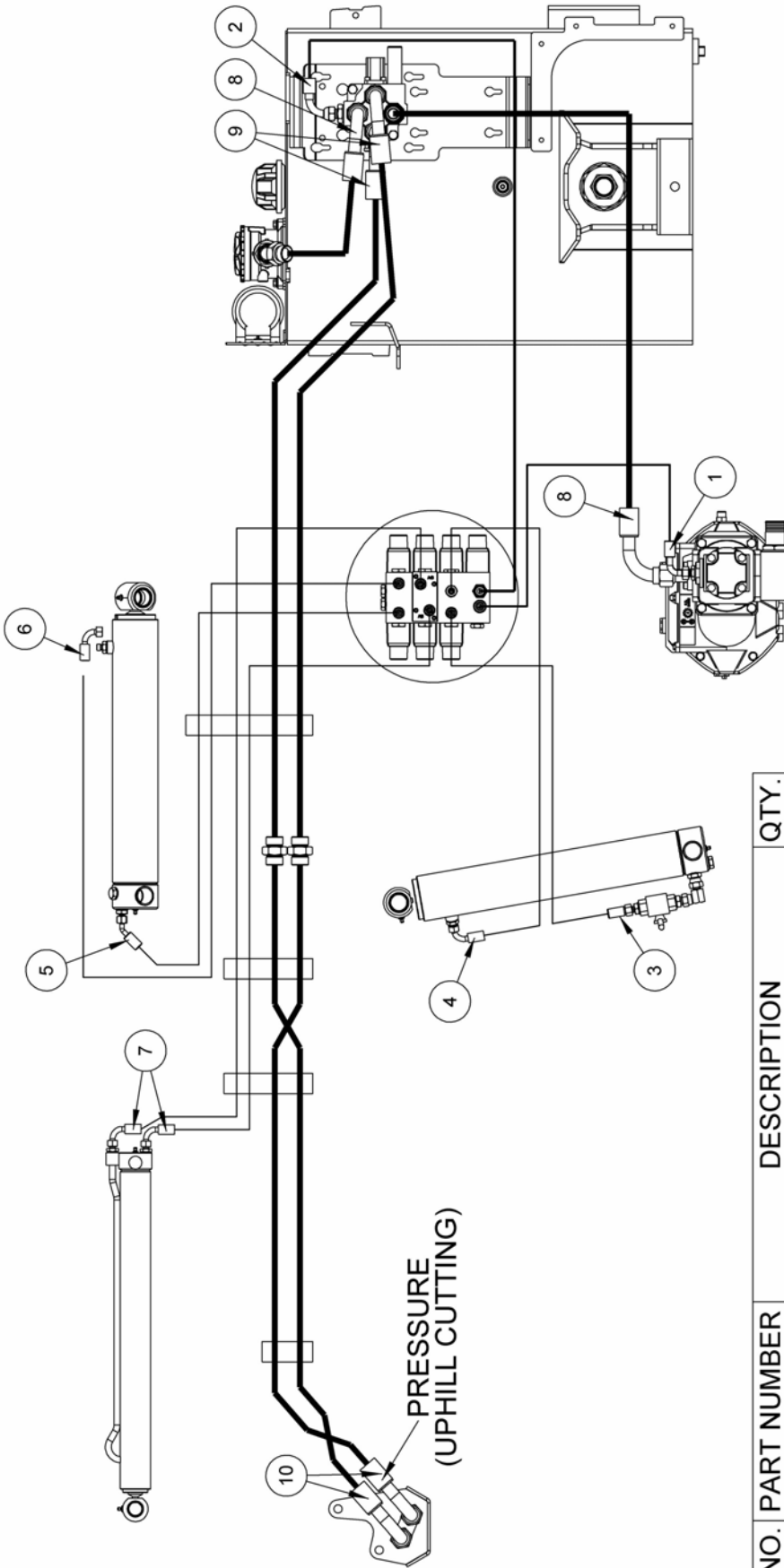


ITEM NO.	PART NUMBER	DESCRIPTION	QTY.
1	10.004.08	3/8" BSP FS/F90 400MM	1
2	10.006.11	1/2" BSP FS/F90 550MM	1
3	10.001.31	1/4" BSP FS/FS 2100MM	1
4	10.002.32	1/4" BSP FS/F90 2200MM	1
5	10.017.38	1/4" BSP FS/F 135 2800MM	1
6	10.002.43	1/4" BSP FS/F90 3300MM	1
7	10.002.55	1/4" BSP FS/F90 4500MM	2
8	10.012.10	1" BSP FS/F90 500MM	2
9	10.012.34	1" BSP FS/F90 2400MM	2
10	10.012.41	1" BSP FS/F90 3100MM	2



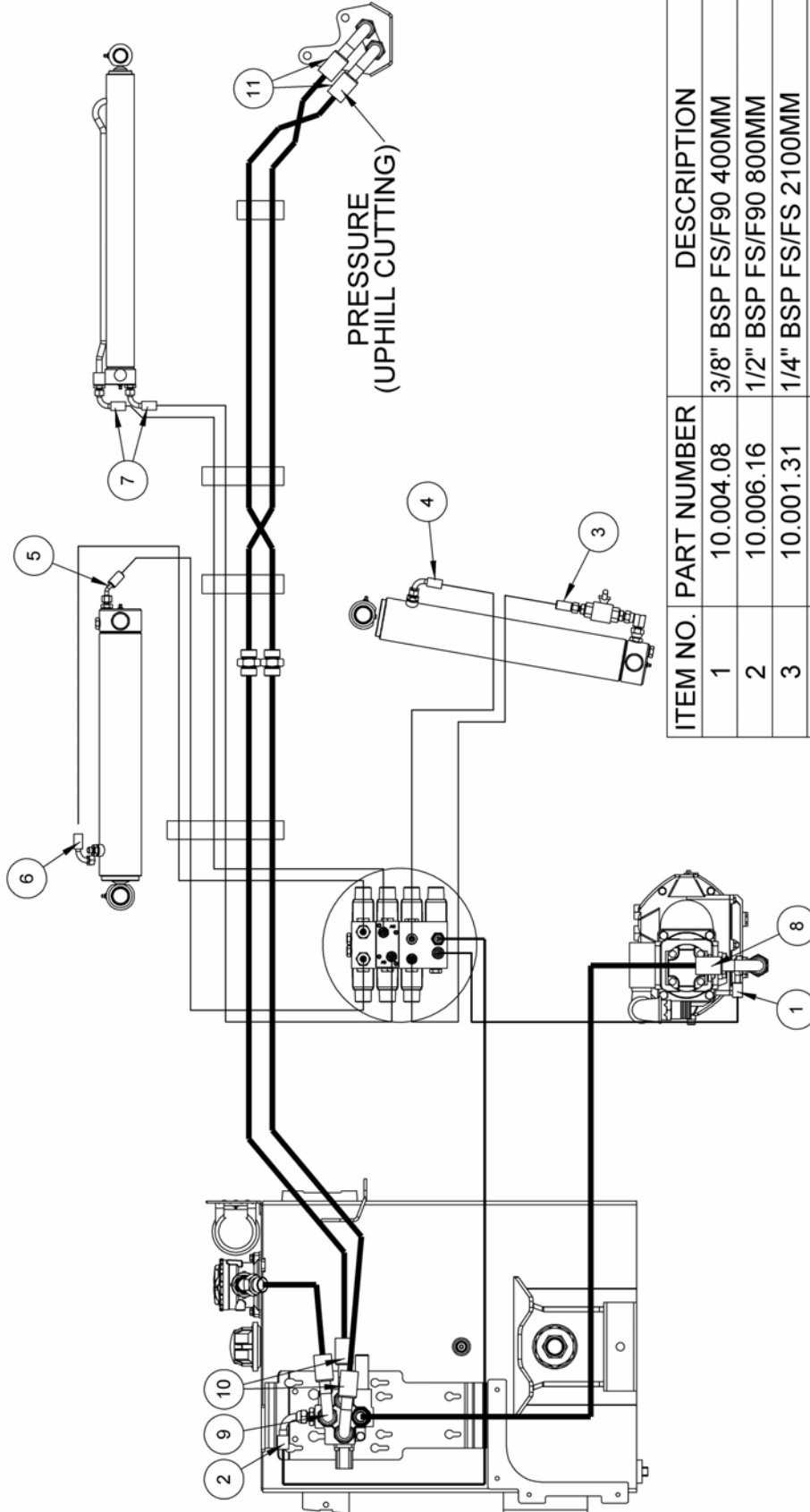
PART NUMBER	ITEM NO.	DESCRIPTION	QTY.
10.004.10	1	3/8" BSP FS/F90 500MM	1
10.006.08	2	1/2" BSP FS/F90 400MM	1
10.001.31	3	1/4" BSP FS/FS 2100MM	1
10.002.32	4	1/4" BSP FS/F90 2200MM	1
10.017.38	5	1/4" BSP FS/F135 2800MM	1
10.002.43	6	1/4" BSP FS/F90 3300MM	1
10.002.55	7	1/4" BSP FS/F90 4500MM	2
10.012.13	8	1" BSP FS/F90 650MM	1
10.012.10	9	1" BSP FS/F90 500MM	1
10.012.34	10	1" BSP FS/F90 2400MM	2
10.012.41	11	1" BSP FS/F90 3100MM	2

RETURN TO RCV →  
 LIFT BASE  
 ANGLE GLAND  
 REACH GLAND  
 LIFT GLAND  
 ANGLE BASE  
 REACH BASE  
 PUMP PRESSURE



ITEM NO.	PART NUMBER	DESCRIPTION	QTY.
1	10.004.10	3/8" BSP FS/F90 500MM	1
2	10.006.16	1/2" BSP FS/F90 800MM	1
3	10.001.31	1/4" BSP FS/FS 2100MM	1
4	10.002.32	1/4" BSP FS/F90 2200MM	1
5	10.017.38	1/4" BSP FS/F135 2800MM	1
6	10.002.43	1/4" BSP FS/F90 3300MM	1
7	10.002.55	1/4" BSP FS/F90 4500MM	2
8	10.012.10	1" BSP FS/F90 500MM	2
9	10.012.34	1" BSP FS/F90 2400MM	2
10	10.012.41	1" BSP FS/F90 3100MM	2

Module(s): 714872215

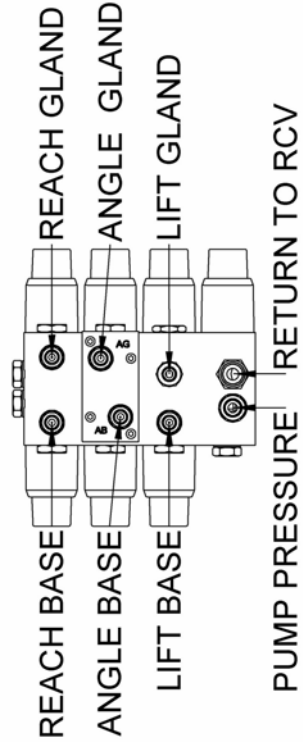
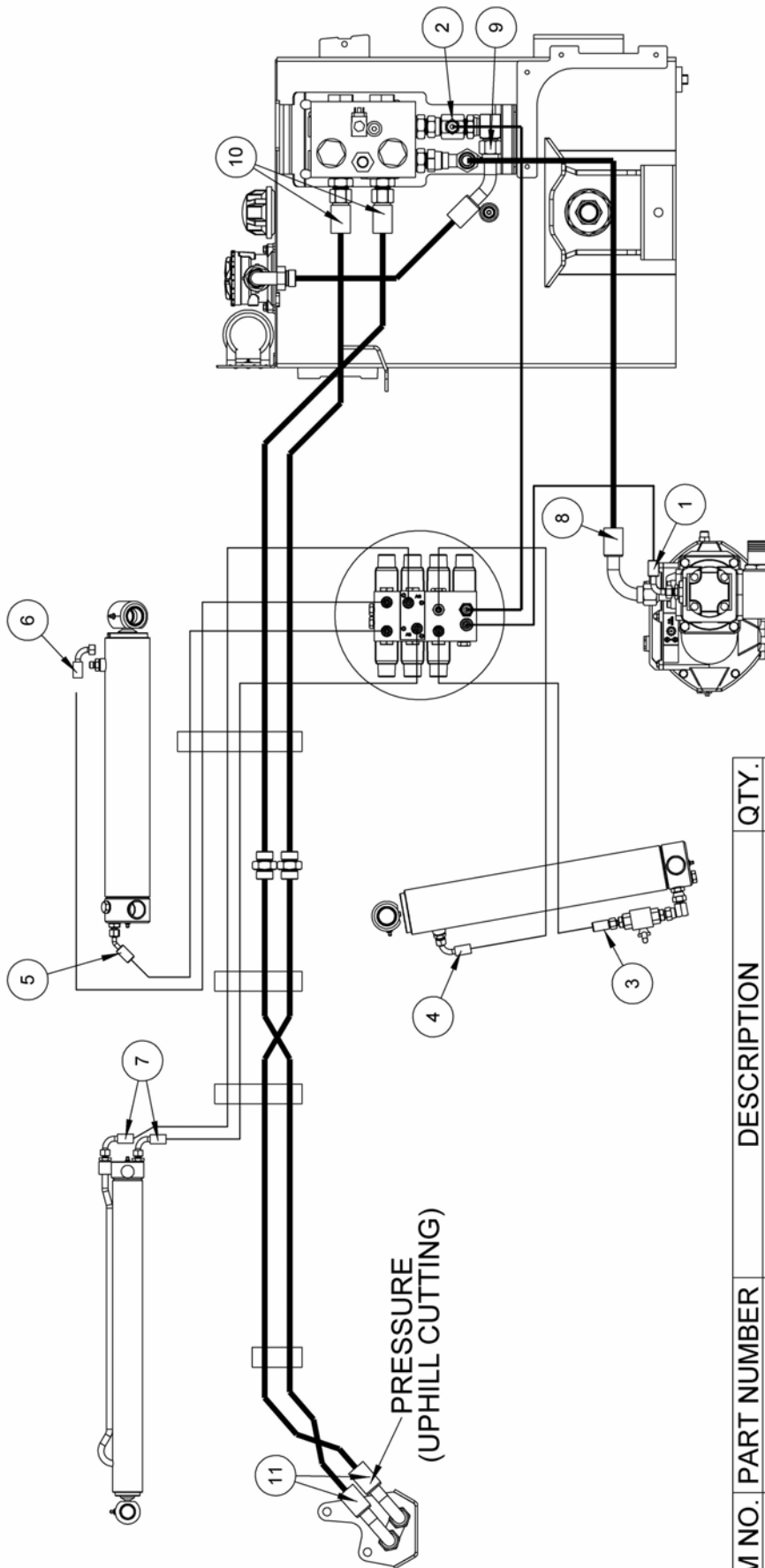


ITEM NO.	PART NUMBER	DESCRIPTION	QTY.
1	10.004.08	3/8" BSP FS/F90 400MM	1
2	10.006.16	1/2" BSP FS/F90 800MM	1
3	10.001.31	1/4" BSP FS/FS 2100MM	1
4	10.002.32	1/4" BSP FS/F90 2200MM	1
5	10.017.38	1/4" BSP FS/F135 2800MM	1
6	10.002.43	1/4" BSP FS/F90 3300MM	1
7	10.002.55	1/4" BSP FS/F90 4500MM	2
8	10.012.13	1" BSP FS/F90 650MM	1
9	10.012.10	1" BSP FS/F90 500MM	1
10	10.012.34	1" BSP FS/F90 2400MM	2
11	10.012.41	1" BSP FS/F90 3100MM	2

- REACH BASE
- ANGLE BASE
- LIFT BASE
- REACH GLAND
- ANGLE GLAND
- LIFT GLAND
- PUMP PRESSURE
- RETURN TO RCV

HOSE KIT – L/H Standard TI Electric (Electric RCV)

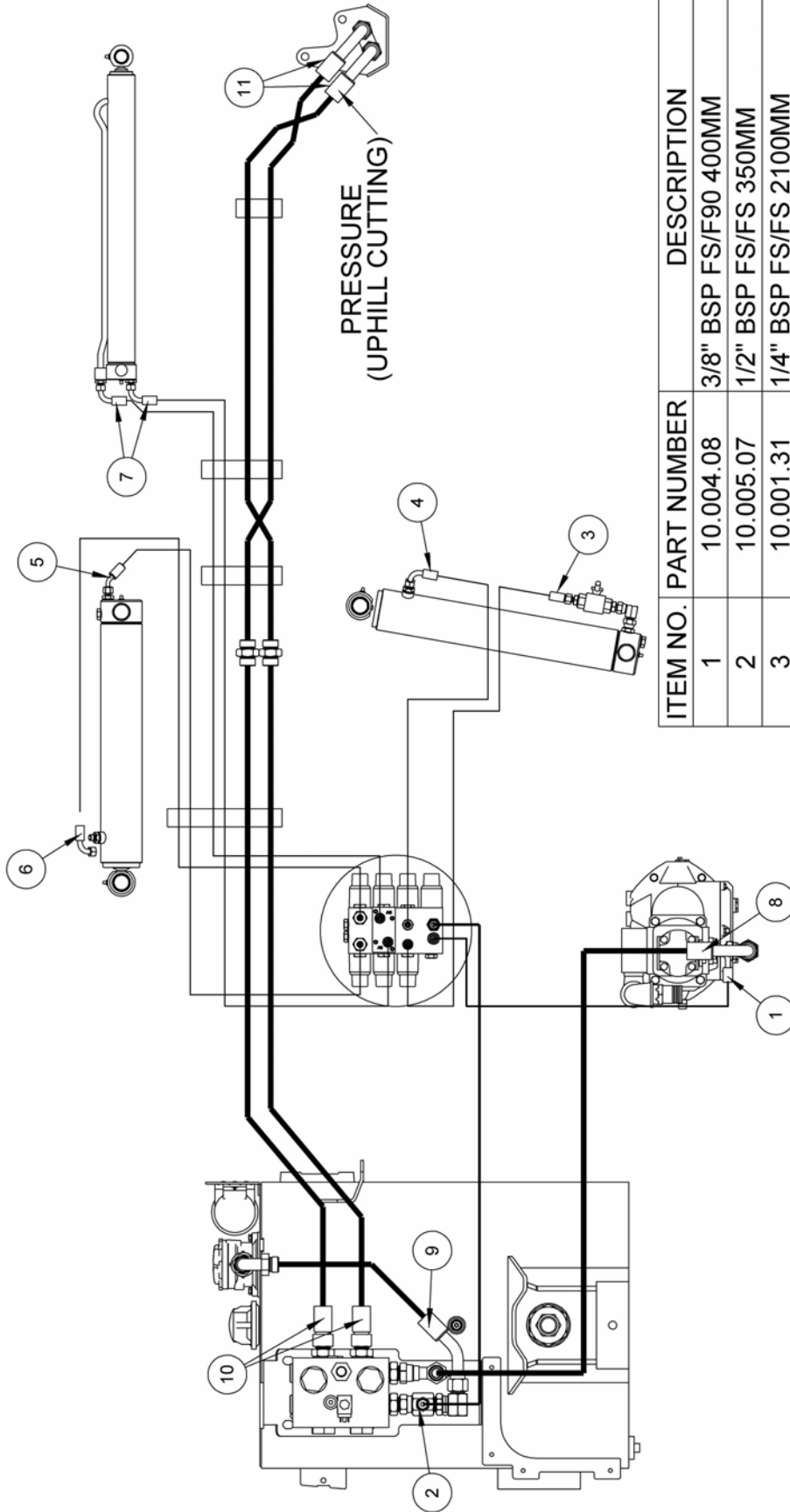
Module(s): 714872216



ITEM NO.	PART NUMBER	DESCRIPTION	QTY.
1	10.004.10	3/8" BSP FS/F90 500MM	1
2	10.005.07	1/2" BSP FS/FS 350MM	1
3	10.001.31	1/4" BSP FS/FS 2100MM	1
4	10.002.32	1/4" BSP FS/F90 2200MM	1
5	10.017.38	1/4" BSP FS/F135 2800MM	1
6	10.002.43	1/4" BSP FS/F90 3300MM	1
7	10.002.55	1/4" BSP FS/F90 4500MM	2
8	10.012.08	1" BSP FS/F90 400MM	1
9	10.025.10	1" BSP FS/F135 500MM	1
10	10.011.33	1" BSP FS/FS 2300MM	2
11	10.012.41	1" BSP FS/F90 3100MM	2



Module(s): 714872217

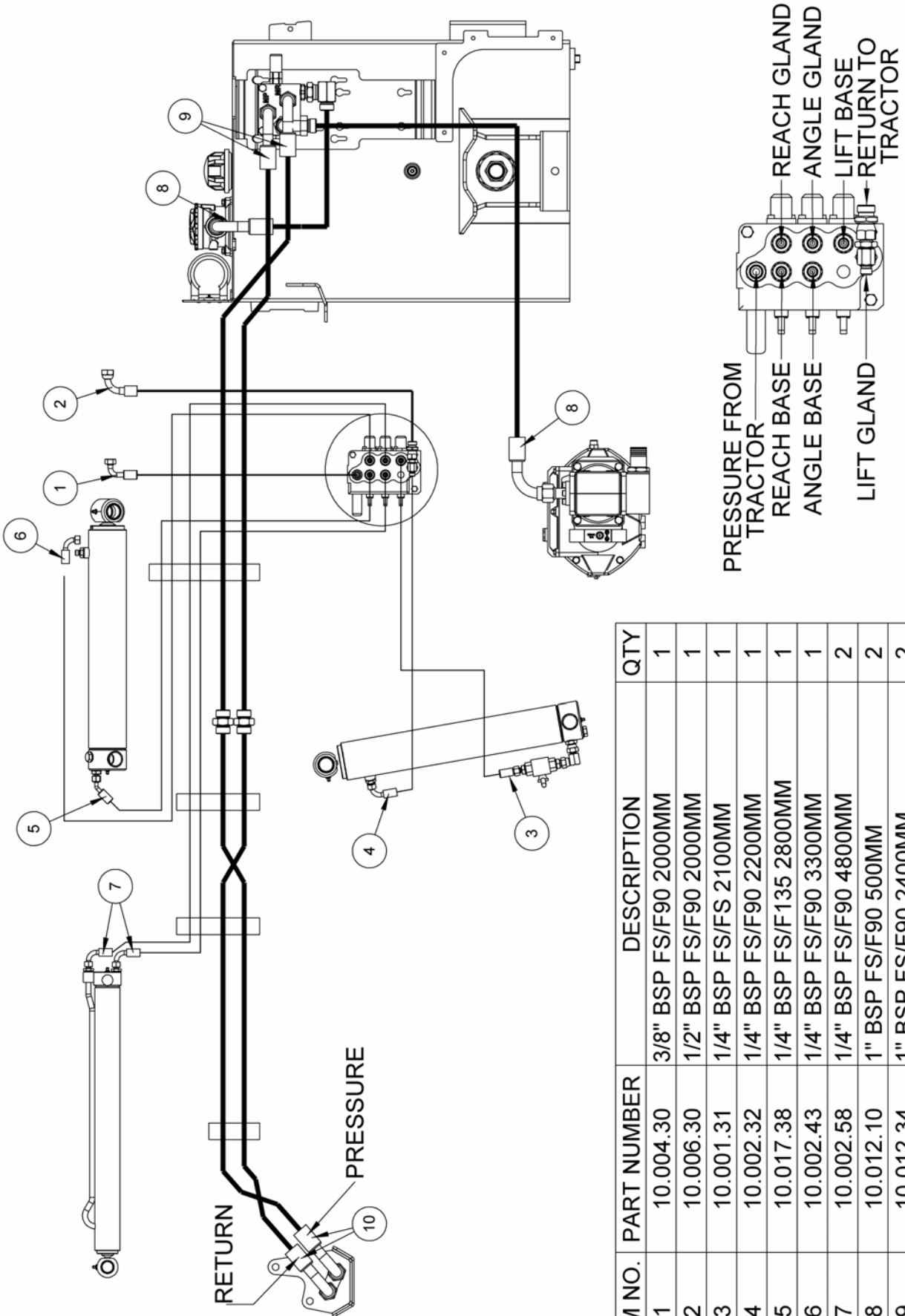


ITEM NO.	PART NUMBER	DESCRIPTION	QTY.
1	10.004.08	3/8" BSP FS/F90 400MM	1
2	10.005.07	1/2" BSP FS/FS 350MM	1
3	10.001.31	1/4" BSP FS/FS 2100MM	1
4	10.002.32	1/4" BSP FS/F90 2200MM	1
5	10.017.38	1/4" BSP FS/F135 2800MM	1
6	10.002.43	1/4" BSP FS/F90 3300MM	1
7	10.002.55	1/4" BSP FS/F90 4500MM	2
8	10.012.10	1" BSP FS/F90 500MM	1
9	10.025.10	1" BSP FS/F135 500MM	1
10	10.011.33	1" BSP FS/FS 2300MM	2
11	10.012.41	1" BSP FS/F90 3100MM	2

- REACH GLAND
- ANGLE GLAND
- LIFT GLAND
- REACH BASE
- ANGLE BASE
- LIFT BASE
- PUMP PRESSURE
- RETURN TO RCV

# HOSE KIT – L/H Fixed Midcut SI Cable

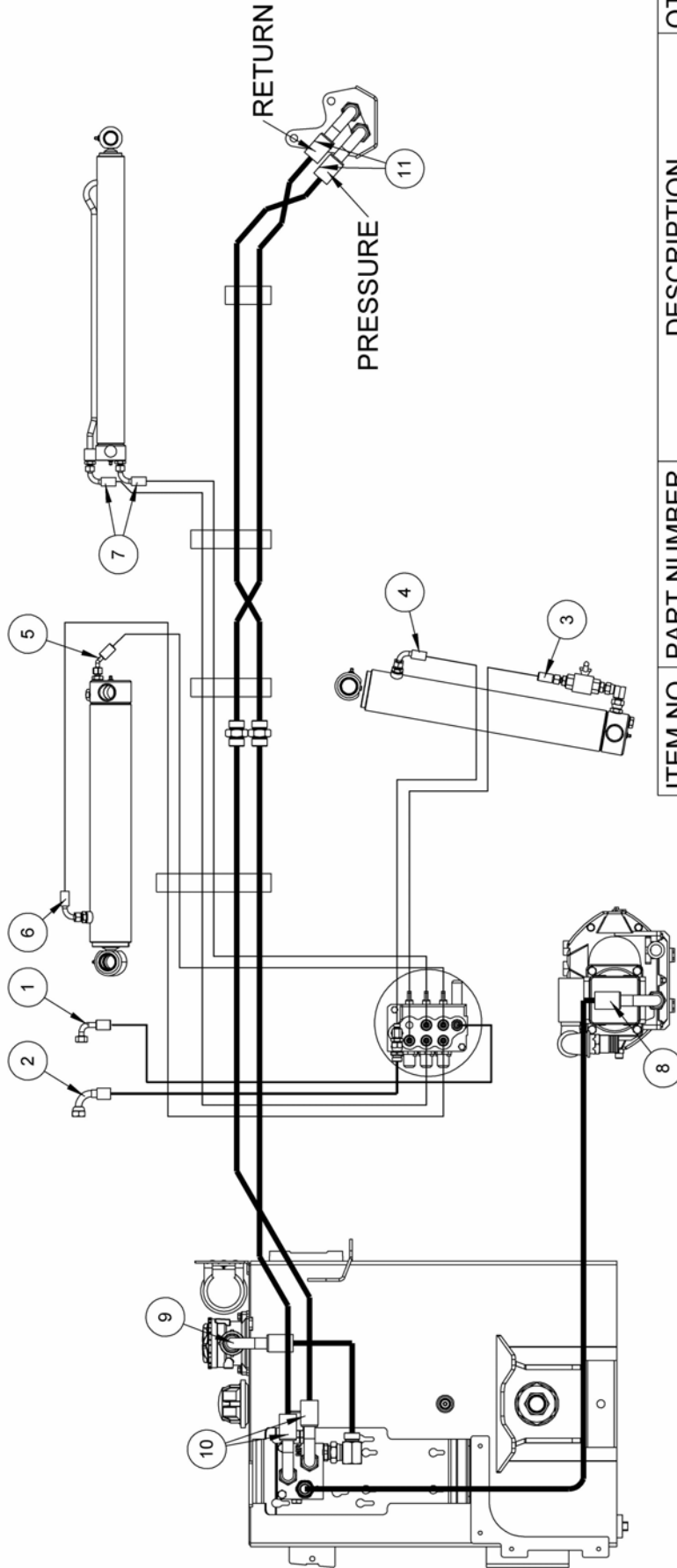
Module(s): 714872220



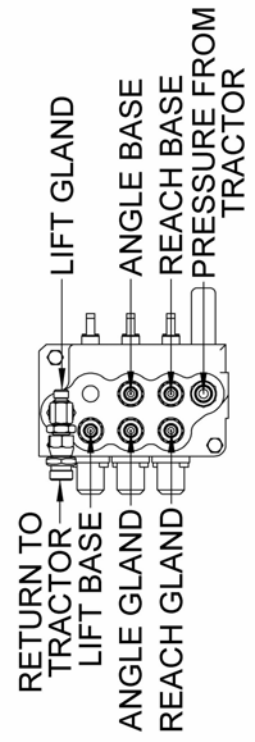
ITEM NO.	PART NUMBER	DESCRIPTION	QTY
1	10.004.30	3/8" BSP FS/F90 2000MM	1
2	10.006.30	1/2" BSP FS/F90 2000MM	1
3	10.001.31	1/4" BSP FS/FS 2100MM	1
4	10.002.32	1/4" BSP FS/F90 2200MM	1
5	10.017.38	1/4" BSP FS/F135 2800MM	1
6	10.002.43	1/4" BSP FS/F90 3300MM	1
7	10.002.58	1/4" BSP FS/F90 4800MM	2
8	10.012.10	1" BSP FS/F90 500MM	2
9	10.012.34	1" BSP FS/F90 2400MM	2
10	10.012.45	1" BSP FS/F90 3500MM	2

# HOSE KIT – R/H Fixed Midcut SI Cable

Module(s): 714872221

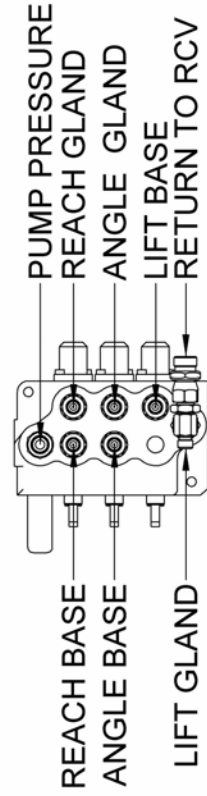
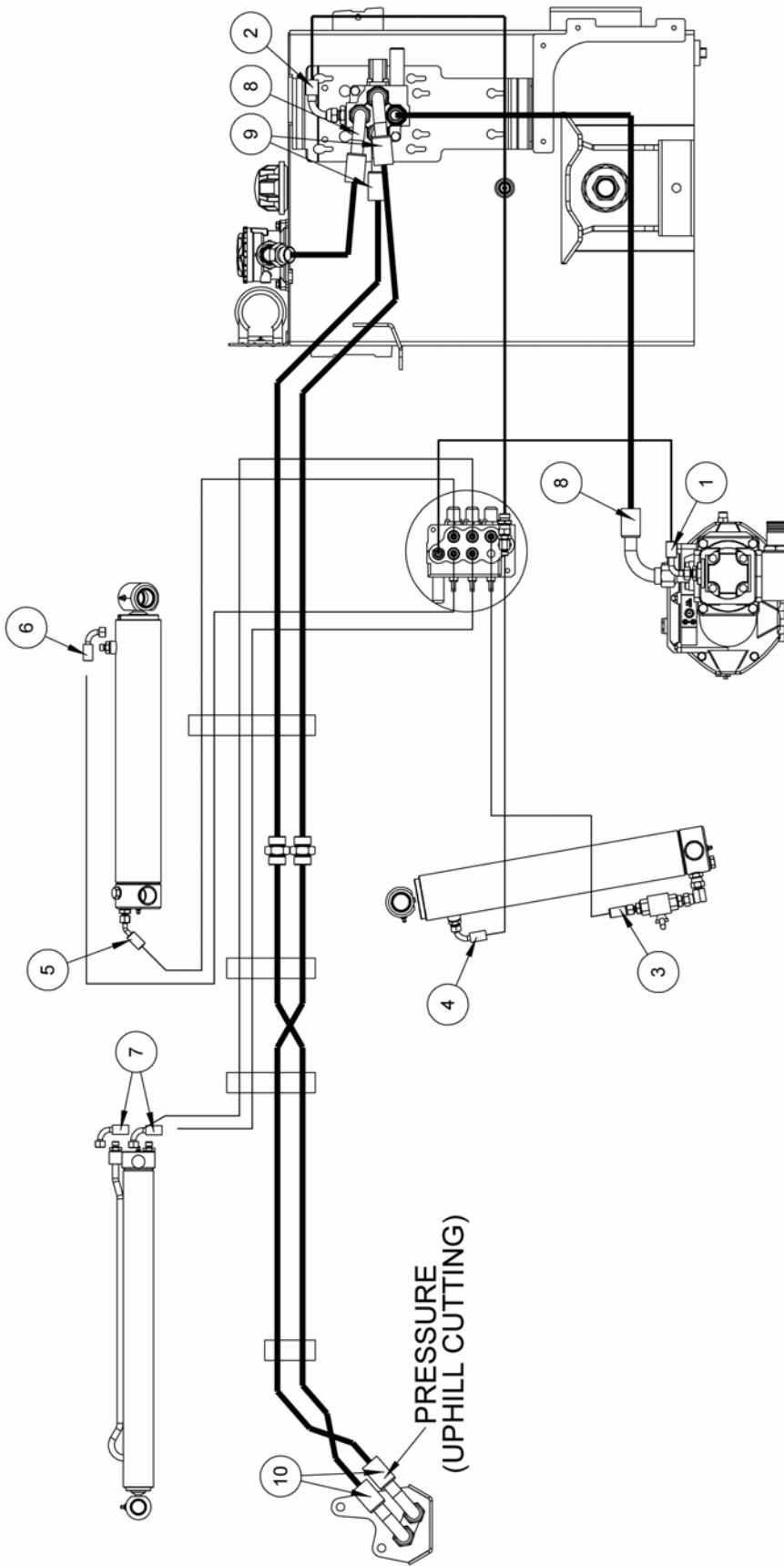


ITEM NO.	PART NUMBER	DESCRIPTION	QTY.
1	10.004.30	3/8" BSP FS/F90 2000MM	1
2	10.006.30	1/2" BSP FS/F90 2000MM	1
3	10.001.31	1/4" BSP FS/FS 2100MM	1
4	10.002.32	1/4" BSP FS/F90 2200MM	1
5	10.017.38	1/4" BSP FS/F 135 2800MM	1
6	10.002.43	1/4" BSP FS/F90 3300MM	1
7	10.002.58	1/4" BSP FS/F90 4800MM	2
8	10.012.16	1" BSP FS/F90 800MM	1
9	10.012.10	1" BSP FS/F90 500MM	1
10	10.012.34	1" BSP FS/F90 2400MM	2
11	10.012.45	1" BSP FS/F90 3500MM	2



# HOSE KIT – L/H Fixed Midcut TI Cable

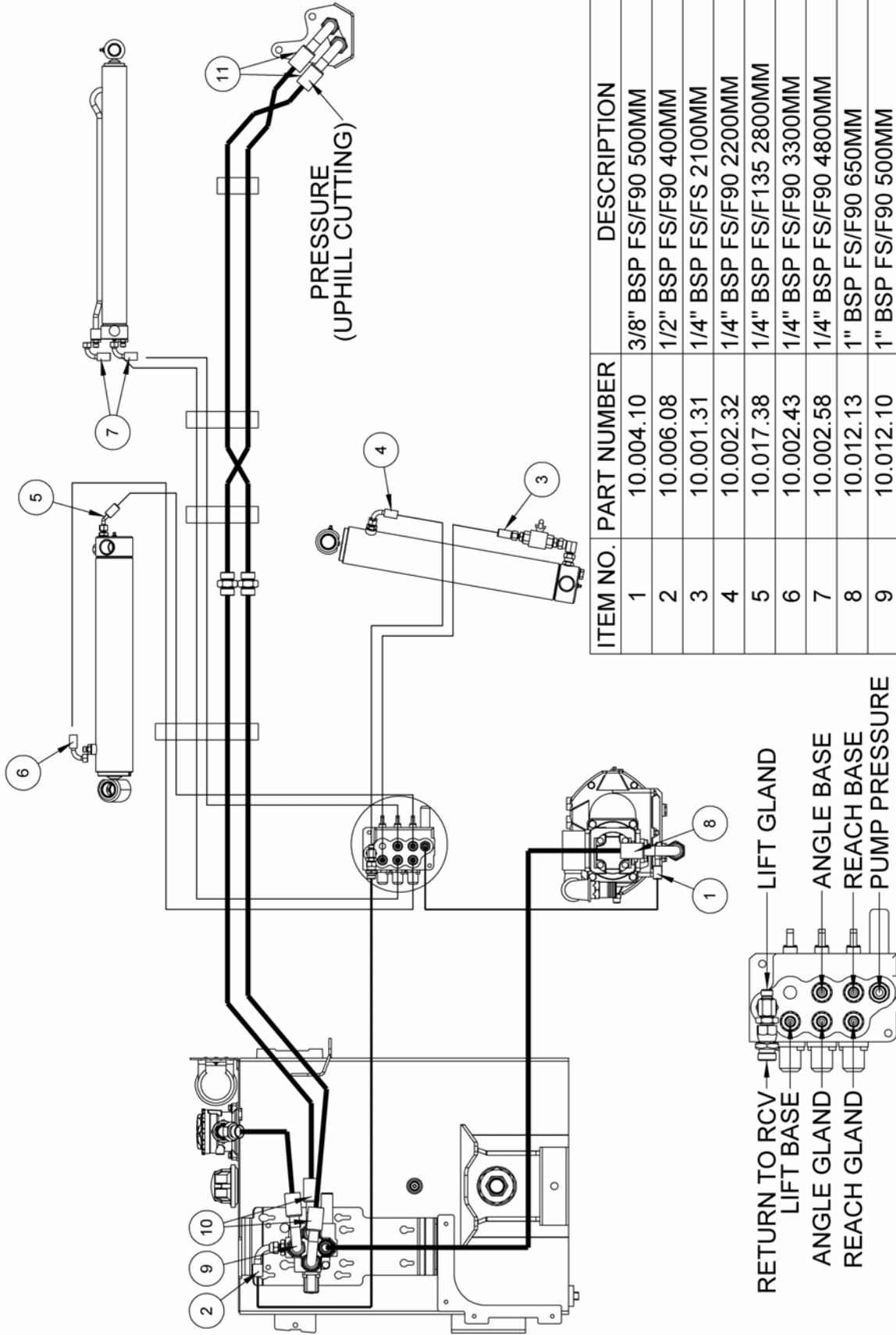
Module(s): 714872222



ITEM NO.	PART NUMBER	DESCRIPTION	QTY.
1	10.004.08	3/8" BSP FS/F90 400MM	1
2	10.006.11	1/2" BSP FS/F90 550MM	1
3	10.001.31	1/4" BSP FS/FS 2100MM	1
4	10.002.32	1/4" BSP FS/F90 2200MM	1
5	10.017.38	1/4" BSP FS/F135 2800MM	1
6	10.002.43	1/4" BSP FS/F90 3300MM	1
7	10.002.58	1/4" BSP FS/F90 4800MM	2
8	10.012.10	1" BSP FS/F90 500MM	2
9	10.012.34	1" BSP FS/F90 2400MM	2
10	10.012.45	1" BSP FS/F90 3500MM	2

# HOSE KIT – R/H Fixed Midcut TI Cable

Module(s): 714872223

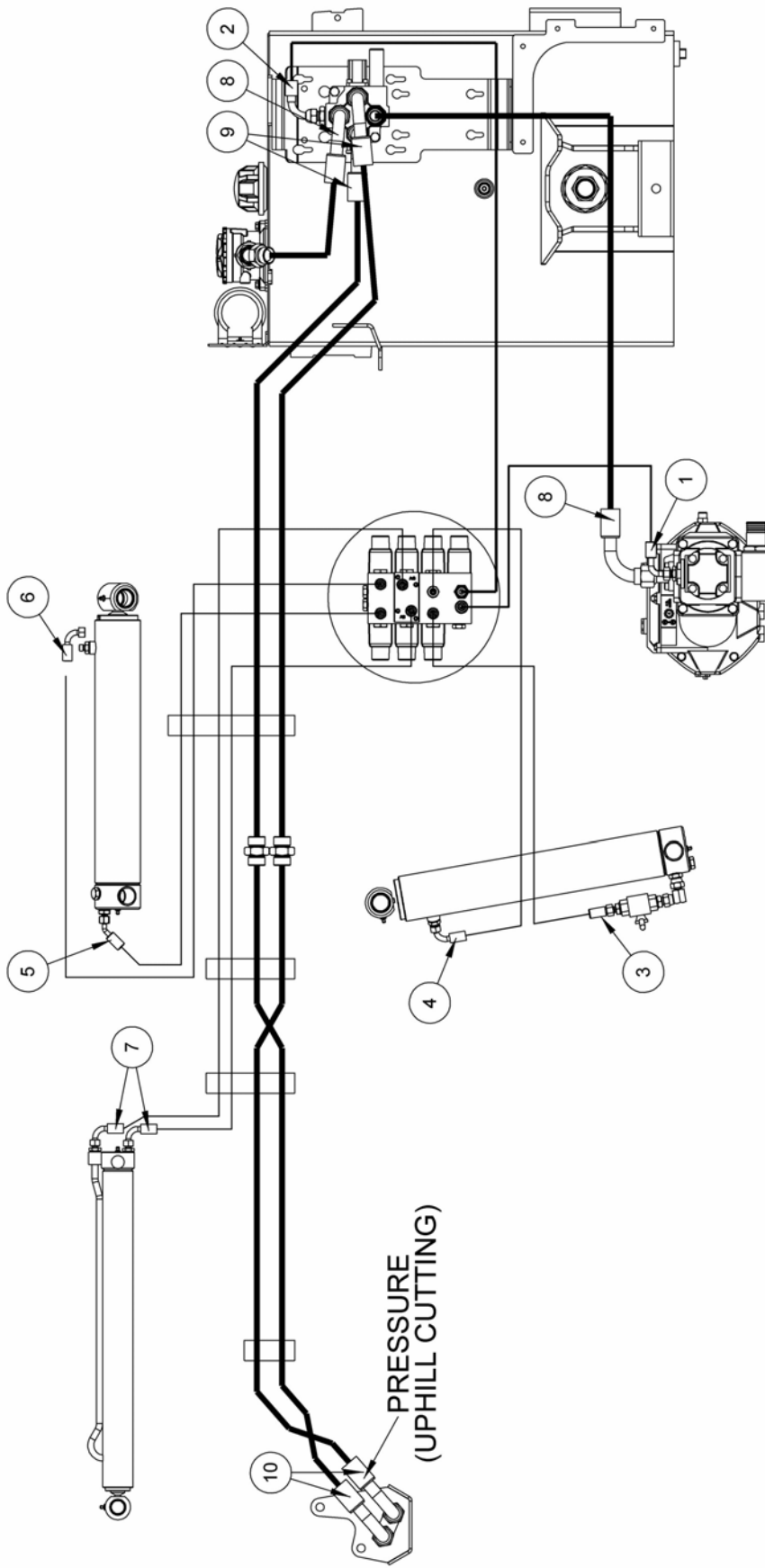


ITEM NO.	PART NUMBER	DESCRIPTION	QTY.
1	10.004.10	3/8" BSP FS/F90 500MM	1
2	10.006.08	1/2" BSP FS/F90 400MM	1
3	10.001.31	1/4" BSP FS/FS 2100MM	1
4	10.002.32	1/4" BSP FS/F90 2200MM	1
5	10.017.38	1/4" BSP FS/F135 2800MM	1
6	10.002.43	1/4" BSP FS/F90 3300MM	1
7	10.002.58	1/4" BSP FS/F90 4800MM	2
8	10.012.13	1" BSP FS/F90 650MM	1
9	10.012.10	1" BSP FS/F90 500MM	1
10	10.012.34	1" BSP FS/F90 2400MM	2
11	10.012.45	1" BSP FS/F90 3500MM	2

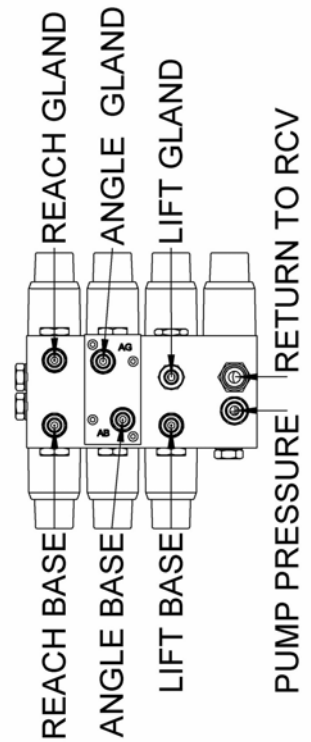
RETURN TO RCV →  
 LIFT BASE  
 ANGLE GLAND  
 REACH GLAND  
 LIFT GLAND  
 ANGLE BASE  
 REACH BASE  
 PUMP PRESSURE

HOSE KIT – L/H Fixed Midcut TI Cable (Cable RCV)

Module(s): 714872224

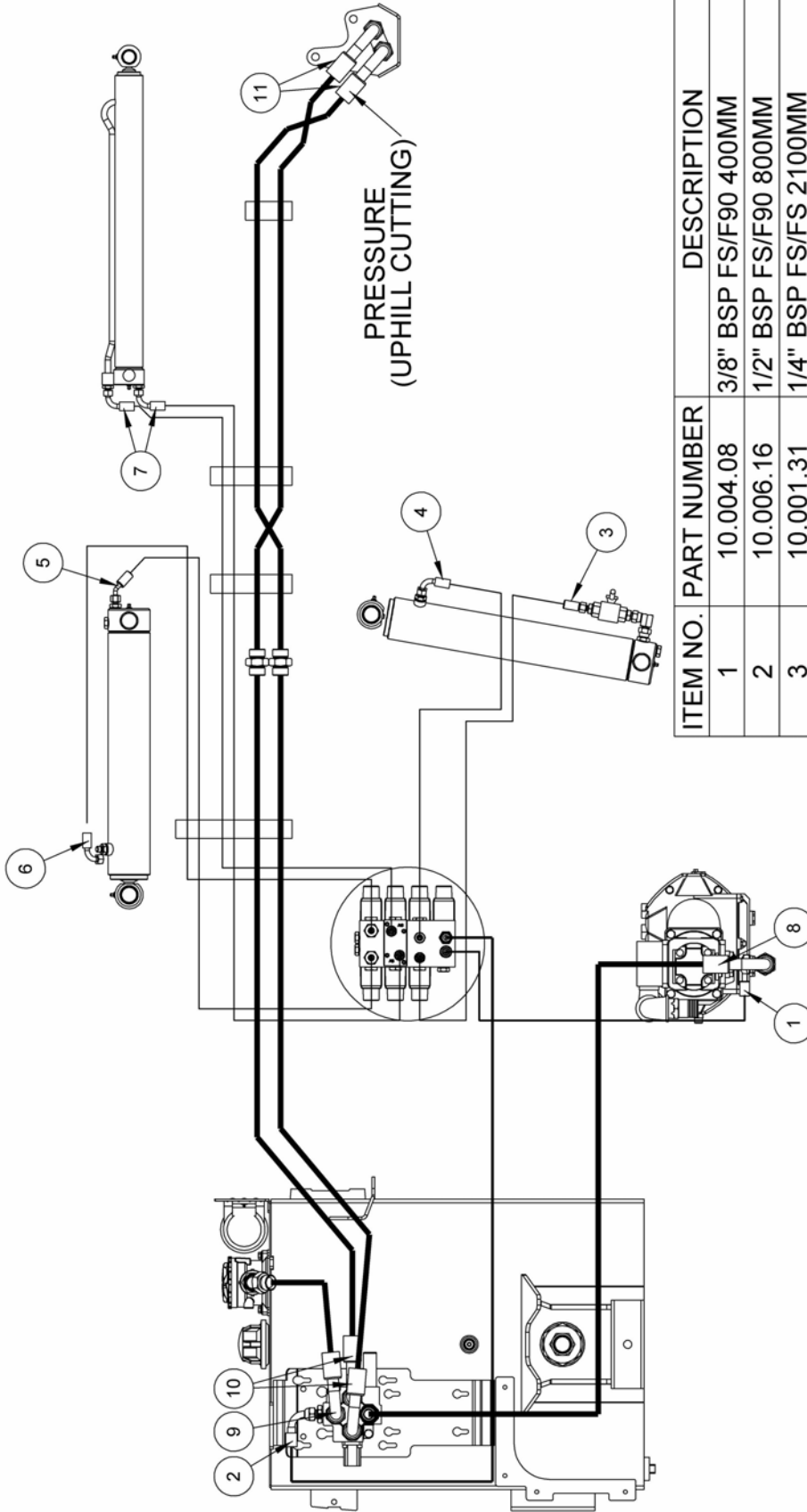


ITEM NO.	PART NUMBER	DESCRIPTION	QTY.
1	10.004.10	3/8" BSP FS/F90 500MM	1
2	10.006.16	1/2" BSP FS/F90 800MM	1
3	10.001.31	1/4" BSP FS/FS 2100MM	1
4	10.002.32	1/4" BSP FS/F90 2200MM	1
5	10.017.38	1/4" BSP FS/F135 2800MM	1
6	10.002.43	1/4" BSP FS/F90 3300MM	1
7	10.002.57	1/4" BSP FS/F90 4700MM	2
8	10.012.10	1" BSP FS/F90 500MM	2
9	10.012.34	1" BSP FS/F90 2400MM	2
10	10.012.45	1" BSP FS/F90 3500MM	2

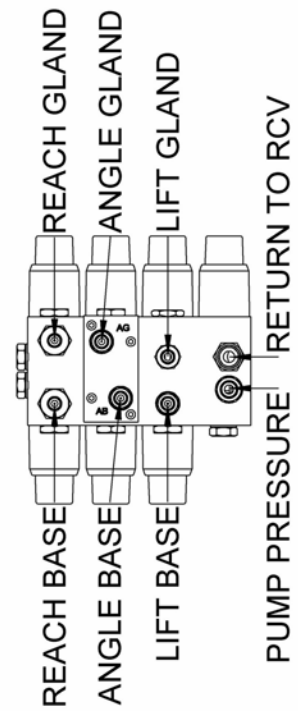


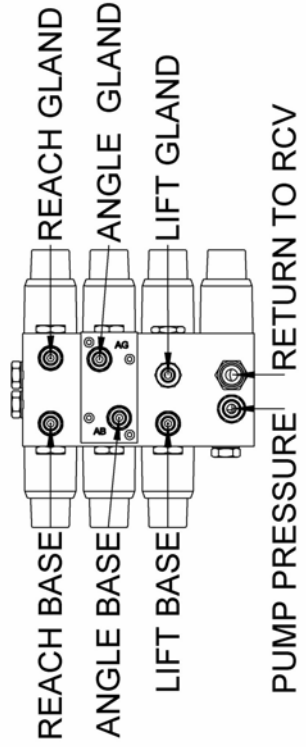
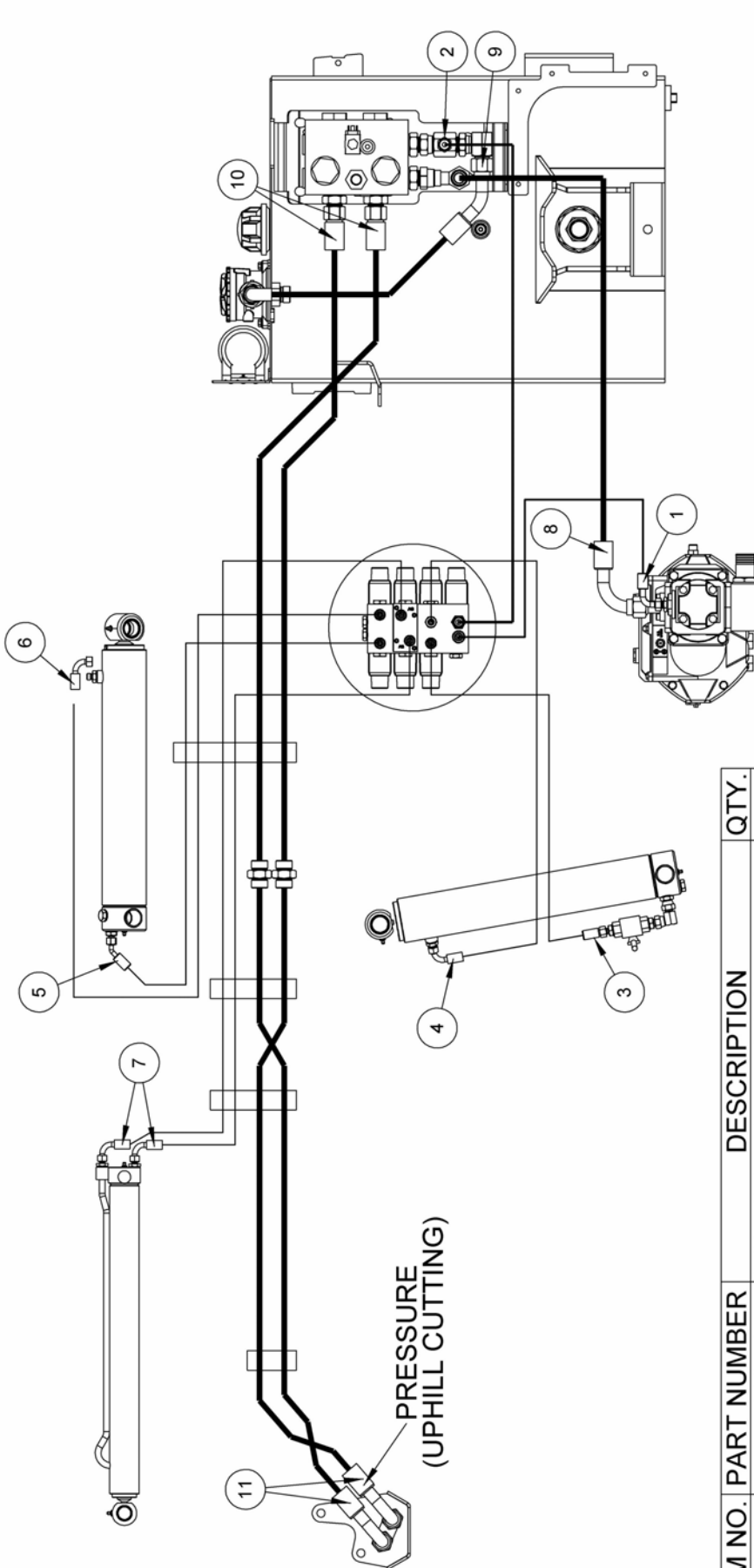
HOSE KIT – R/H Fixed Midcut TI Cable (Cable RCV)

Module(s): 714872225



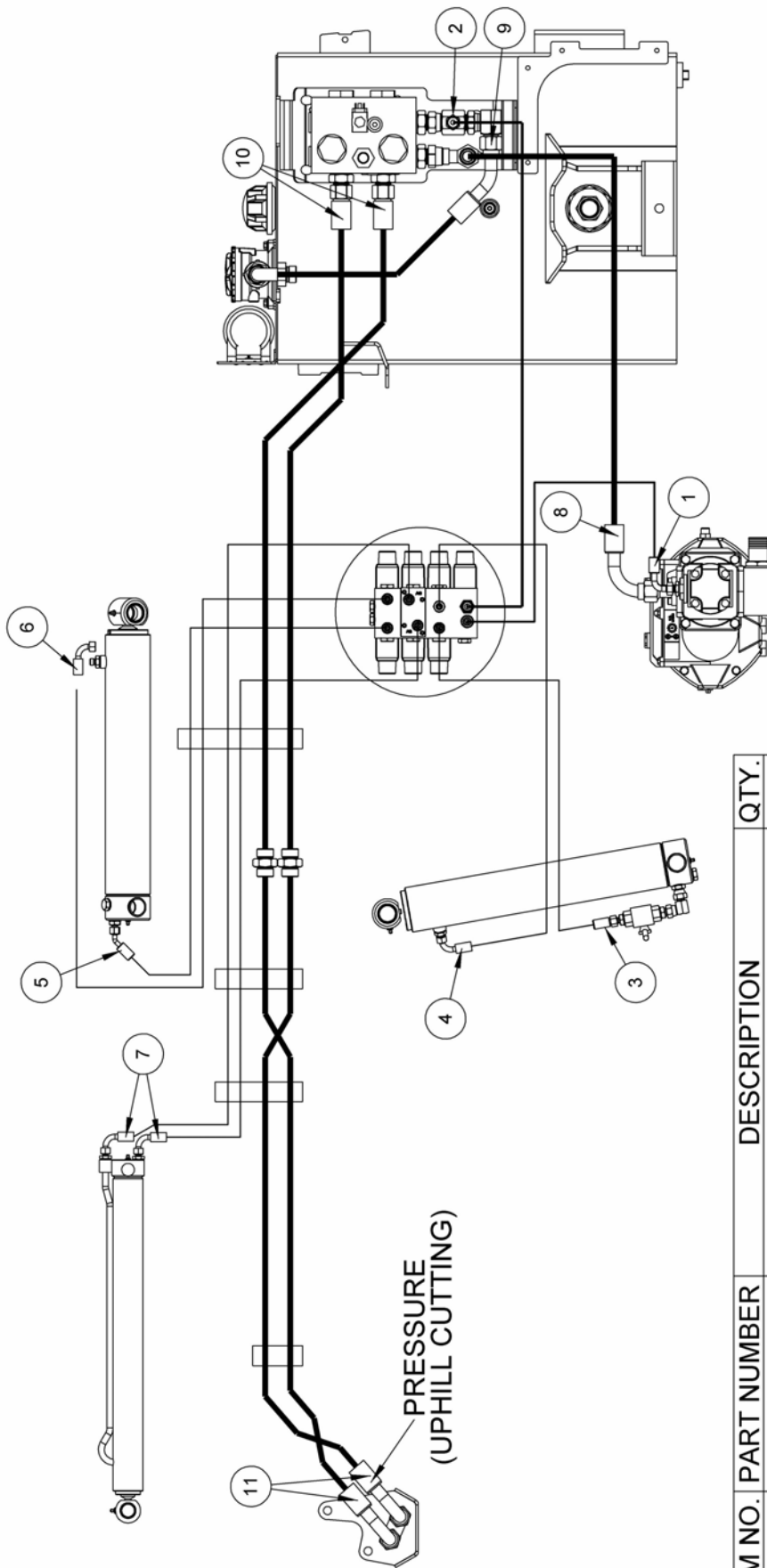
ITEM NO.	PART NUMBER	DESCRIPTION	QTY.
1	10.004.08	3/8" BSP FS/F90 400MM	1
2	10.006.16	1/2" BSP FS/F90 800MM	1
3	10.001.31	1/4" BSP FS/FS 2100MM	1
4	10.002.32	1/4" BSP FS/F90 2200MM	1
5	10.017.38	1/4" BSP FS/F135 2800MM	1
6	10.002.43	1/4" BSP FS/F90 3300MM	1
7	10.002.57	1/4" BSP FS/F90 4700MM	2
8	10.012.13	1" BSP FS/F90 650MM	1
9	10.012.10	1" BSP FS/F90 500MM	1
10	10.012.34	1" BSP FS/F90 2400MM	2
11	10.012.45	1" BSP FS/F90 3500MM	2





ITEM NO.	PART NUMBER	DESCRIPTION	QTY.
1	10.004.10	3/8" BSP FS/F90 500MM	1
2	10.005.07	1/2" BSP FS/FS 350MM	1
3	10.001.31	1/4" BSP FS/FS 2100MM	1
4	10.002.32	1/4" BSP FS/F90 2200MM	1
5	10.017.38	1/4" BSP FS/F135 2800MM	1
6	10.002.43	1/4" BSP FS/F90 3300MM	1
7	10.002.57	1/4" BSP FS/F90 4700MM	2
8	10.012.08	1" BSP FS/F90 400MM	1
9	10.025.10	1" BSP FS/F135 500MM	1
10	10.011.33	1" BSP FS/FS 2300MM	2
11	10.012.45	1" BSP FS/F90 3500MM	2





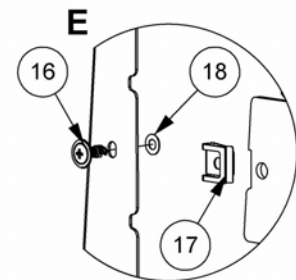
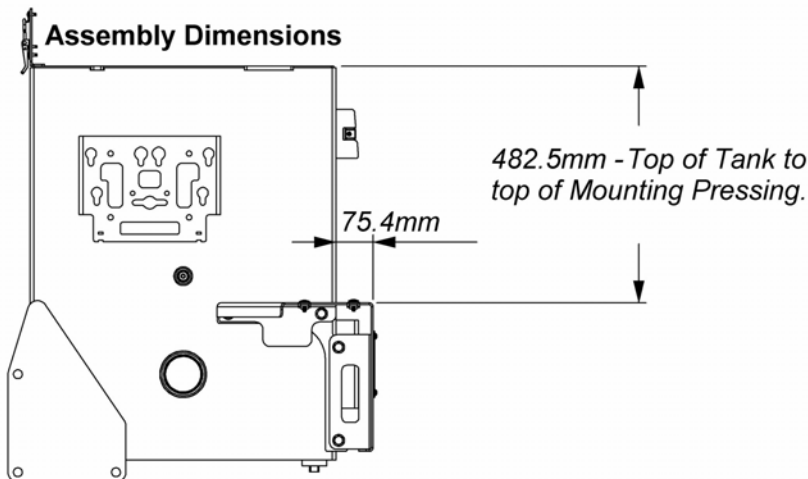
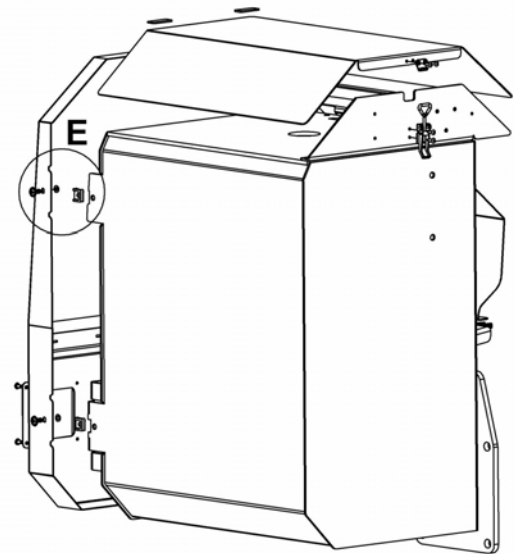
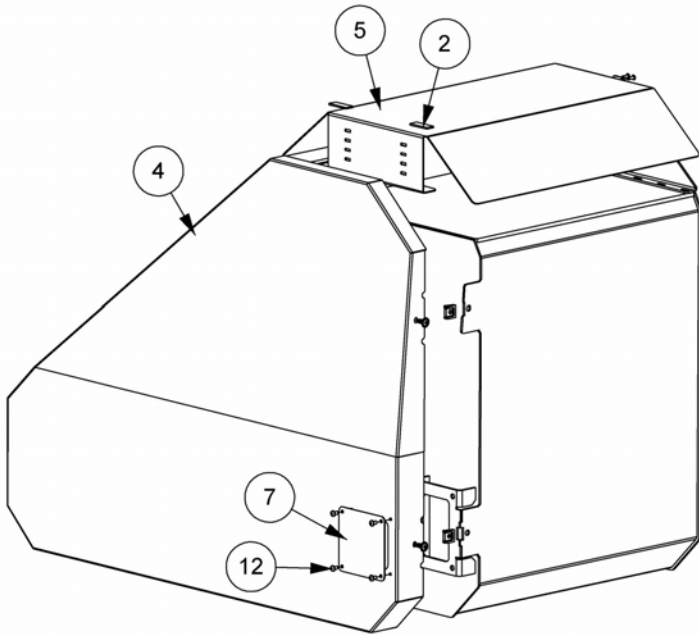
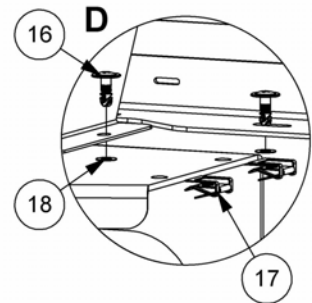
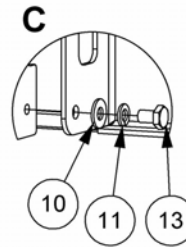
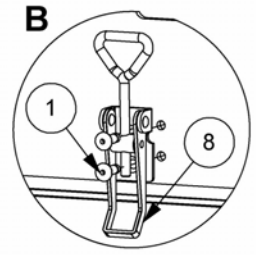
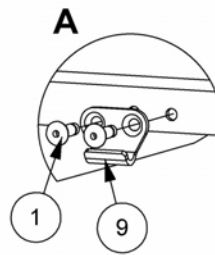
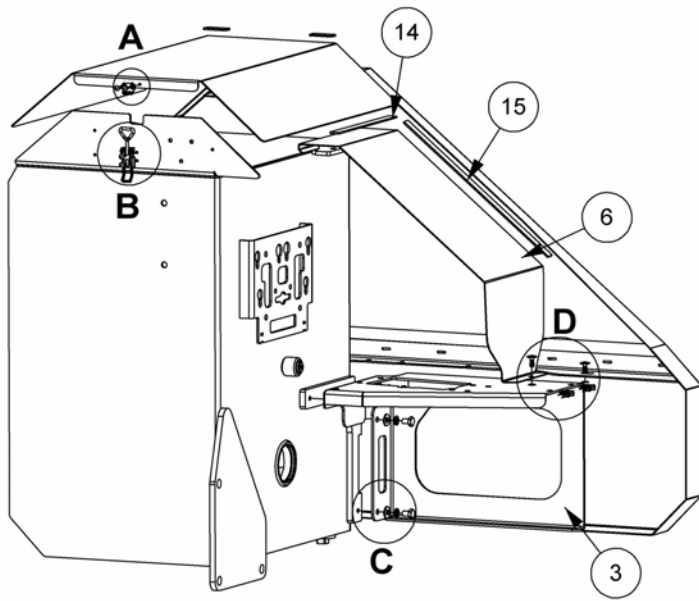
- REACH BASE
- REACH GLAND
- ANGLE BASE
- ANGLE GLAND
- LIFT BASE
- LIFT GLAND
- PUMP PRESSURE
- RETURN TO RCV

ITEM NO.	PART NUMBER	DESCRIPTION	QTY.
1	10.004.10	3/8" BSP FS/F90 500MM	1
2	10.005.07	1/2" BSP FS/FS 350MM	1
3	10.001.31	1/4" BSP FS/FS 2100MM	1
4	10.002.32	1/4" BSP FS/F90 2200MM	1
5	10.017.38	1/4" BSP FS/F135 2800MM	1
6	10.002.43	1/4" BSP FS/F90 3300MM	1
7	10.002.57	1/4" BSP FS/F90 4700MM	2
8	10.012.08	1" BSP FS/F90 400MM	1
9	10.025.10	1" BSP FS/F135 500MM	1
10	10.011.33	1" BSP FS/FS 2300MM	2
11	10.012.45	1" BSP FS/F90 3500MM	2

# REAR COVERS ASSEMBLY

# McCONEL

Module(s): L/H Build 7147714 (illustrated), R/H Build 7147715



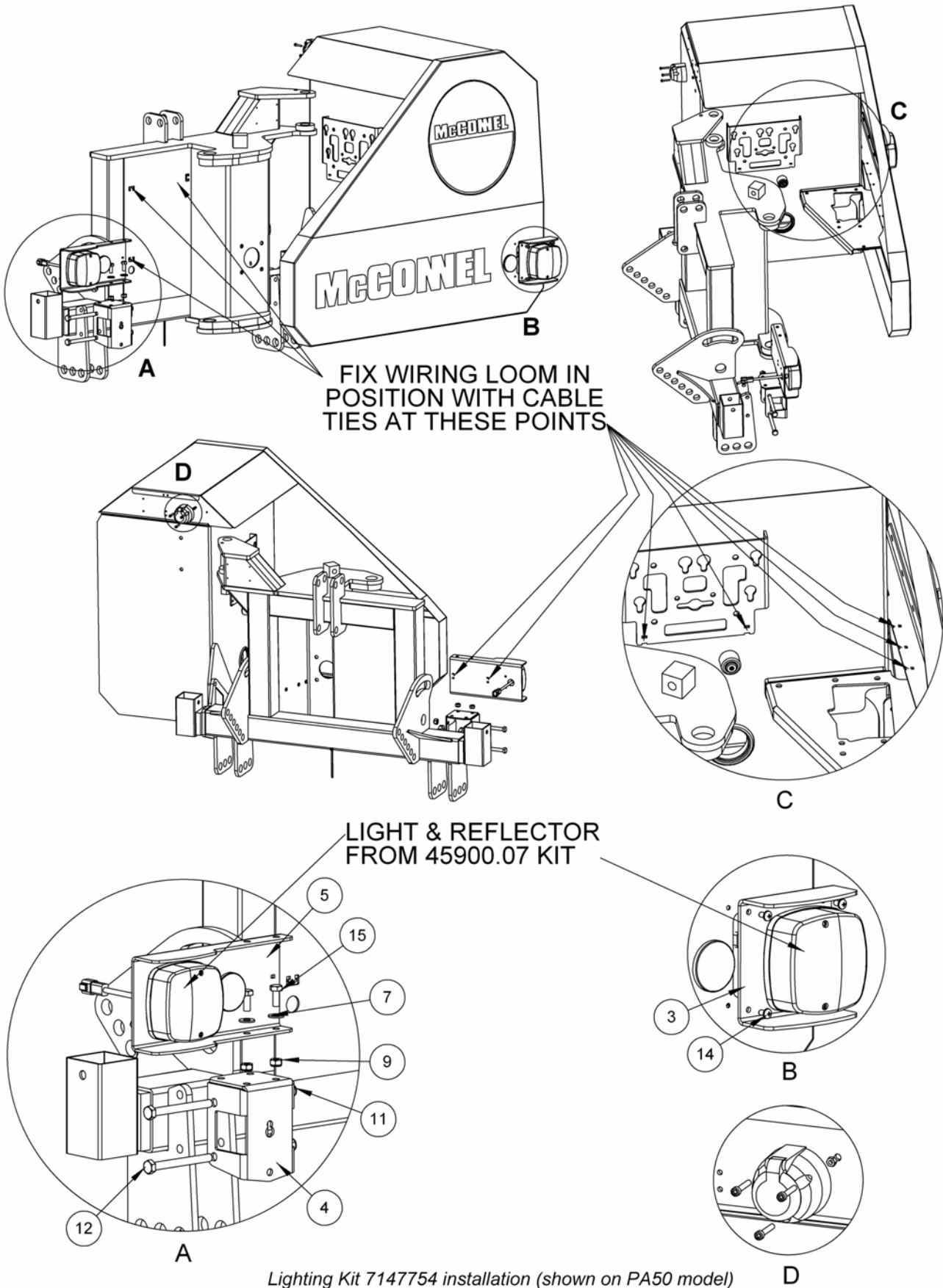
**REAR COVERS ASSEMBLY****McCONNEL**Module(s): L/H Build 7147714 (*illustrated*), R/H Build 7147715

<b>REF.</b>	<b>QTY.</b>	<b>PART No.</b>	<b>DESCRIPTION</b>
		<b>7147714</b>	<b>REAR COVERS ASSEMBLY - L/H Build</b>
		<b>7147715</b>	<b>REAR COVERS ASSEMBLY - R/H Build</b>
1	4	21612.01	POP RIVET
2	2	21726.31	SPONGE PAD
3	1	22472.01	COVER & VALVE MOUNTING - L/H Build
	1	22472.02	COVER & VALVE MOUNTING - R/H Build
4	1	22476.03	REAR COVER - L/H Build
	1	22476.04	REAR COVER - R/H Build
5	1	22477.03	TANK TOP COVER
6	1	22513.01	VALVE COVER - L/H Build
	1	22513.02	VALVE COVER - R/H Build
7	1	22531.01	BLANKING PLATE
8	1	43449.02	OVERCENTRE FASTENER
9	1	46007.01	HOOK (OVERCENTRE FASTENER)
10	4	9100105	FLAT WASHER
11	4	9100205	SPRING WASHER
12	4	9300164	TAPTITE
13	4	9313035	SETSCREW
14	1	21726.34	SELF ADHESIVE FOAM STRIP - 275mm
15	1	21726.35	SELF ADHESIVE FOAM STRIP 410mm
16	4	22549.01	SLOTTED HEAD STUD
17	4	22549.02	SLIP-ON RECEPTACLE
18	4	22549.03	PLASTIC RETAINER (BLACK)

# REAR LIGHTING KIT

Module(s): 7147754

# McCOMEL



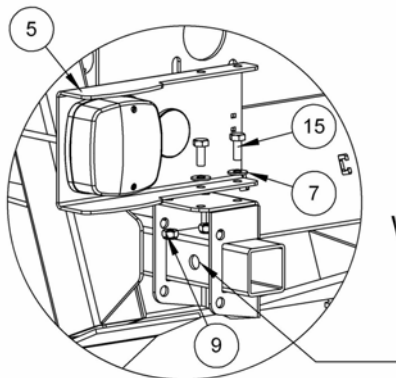
Lighting Kit 7147754 installation (shown on PA50 model)

# REAR LIGHTING KIT

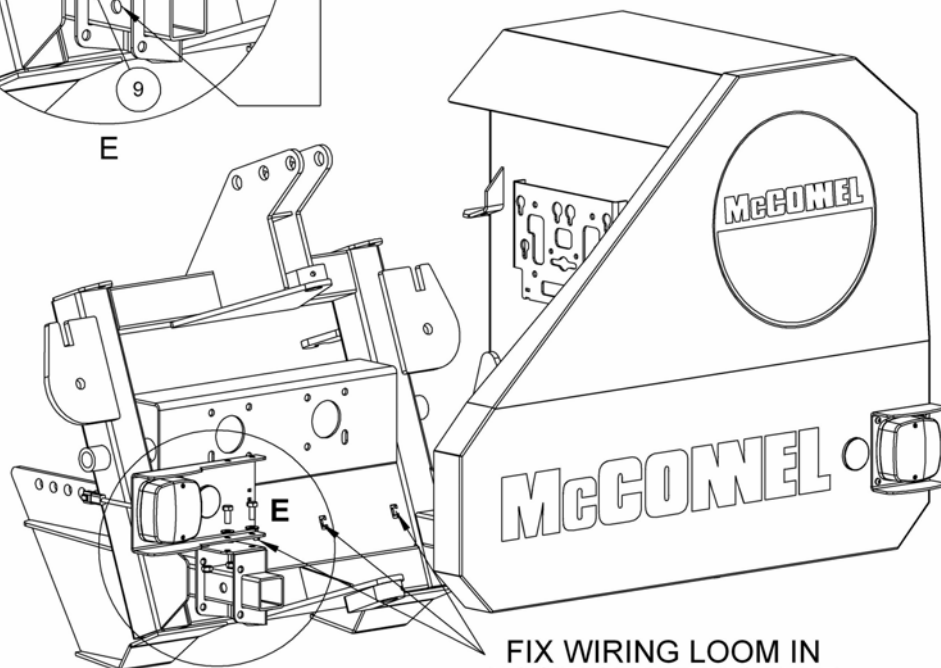
# McCONEL

Module(s): 7147754

REF.	QTY.	PART No.	DESCRIPTION
		<b>7147754</b>	<b>REAR LIGHTING KIT</b>
1	1	21678.07	7 PIN PLASTIC SOCKET (12v)
2	12	22342.01	CABLE TIE - 120mm
3	1	22484.02	LIGHT GUARD & MOUNTING
4	1	22487.01	LIGHT MOUNTING BRACKET
5	1	22488.01	N/S LIGHT GUARD & MOUNTING
6	1	45900.07	LIGHTING KIT - <i>comprising of:</i>
	1	45656.08	LIGHTING LOOM
	2	45671.01	REFLECTOR (SELF-ADHESIVE)
	6	21150.01	PUSH ON CABLE TIE
	2	45642.02	COMBINATION LAMP
	1	45642.34	REAR LIGHT LENS ( <i>Replacement</i> )
7	4	9100105	FLAT WASHER
8	3	05.287.09	NYLOC NUT
9	4	9163005	NYLOC NUT
10	2	9313065	SETSCREW
11	2	9163006	NYLOC NUT
12	2	9213246	BOLT
13	3	9243062	CAPSCREW
14	4	9300164	TAPTITE
15	2	9313055	SETSCREW

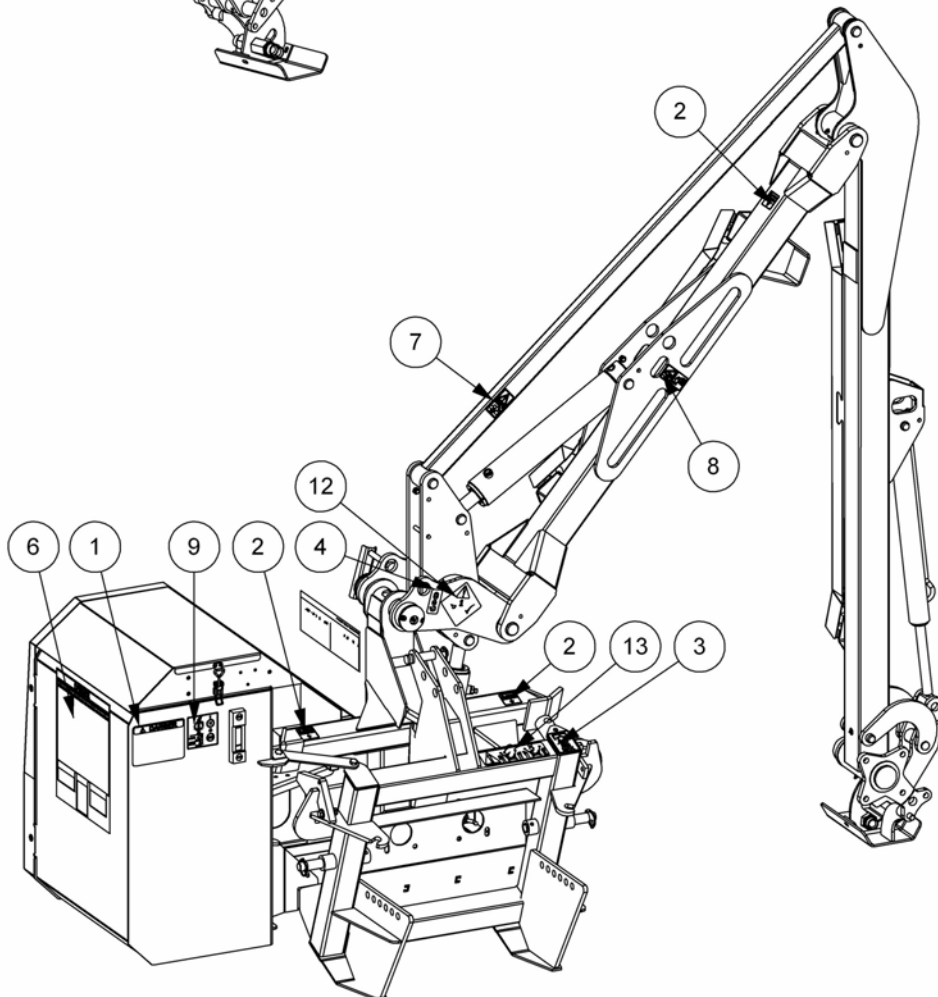
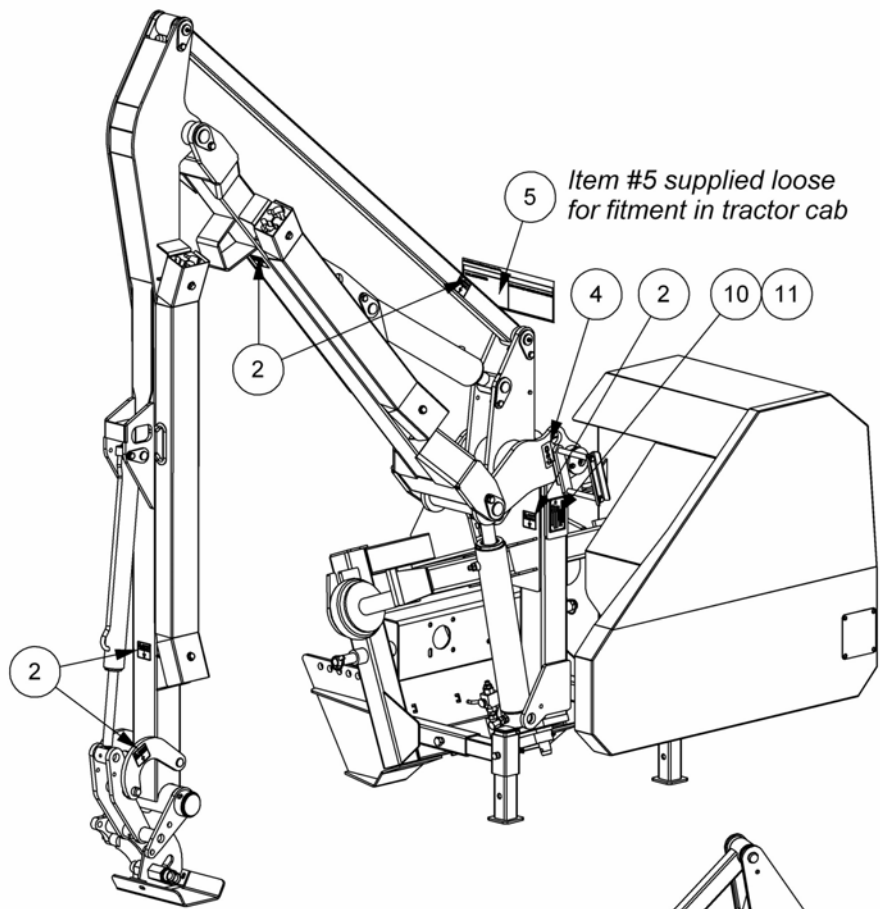


FIX IN POSITION  
WITH EXISTING BOLT



FIX WIRING LOOM IN  
POSITION WITH CABLE  
TIES AT THESE POINTS

Module(s): 7148789



**DECAL KIT – WARNING & SAFETY INFORMATION****McCONNEL**

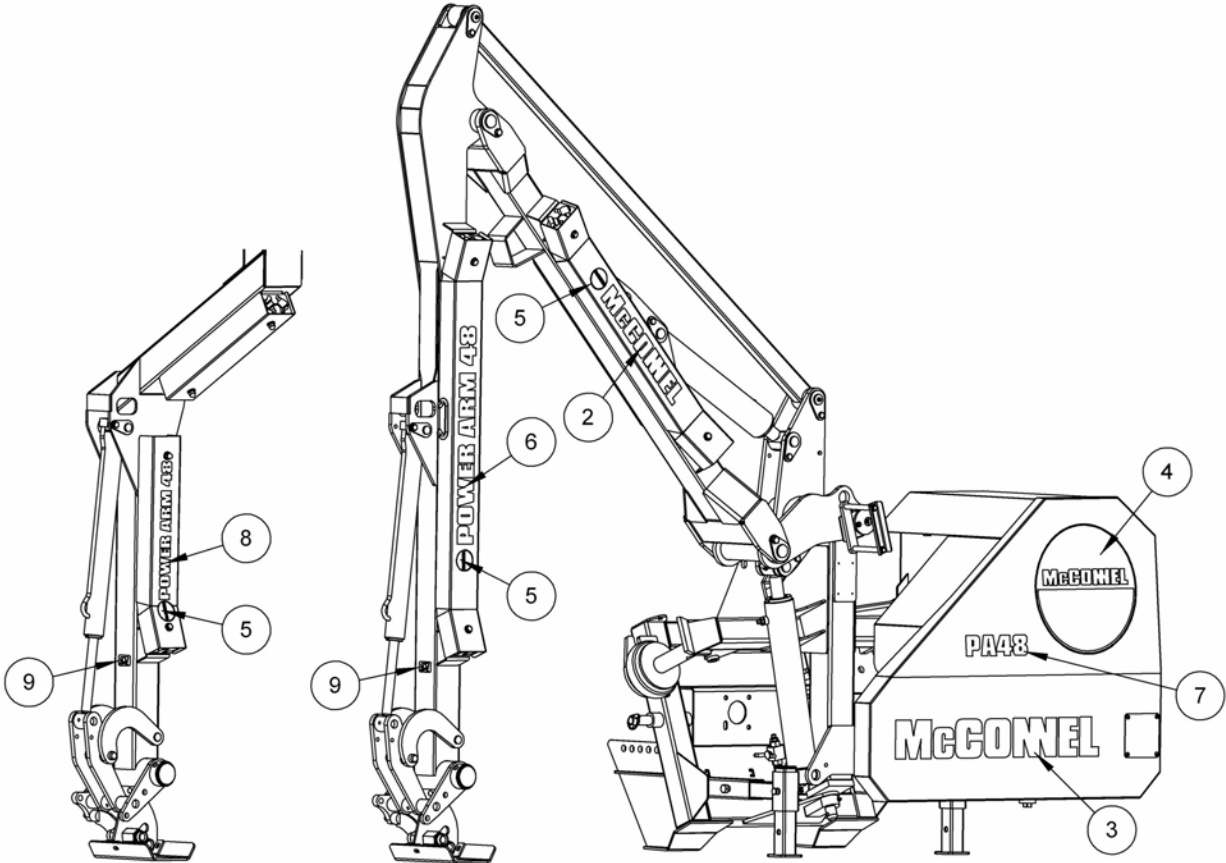
Module(s): 7148789

<b>REF.</b>	<b>QTY.</b>	<b>PART NO.</b>	<b>DESCRIPTION</b>
		<b>7148789</b>	<b>DECAL KIT - WARNINGS</b>
1	1	00756494	DECAL - DRIVELINE HAZARD
2	8	02962764	DECAL - PINCH POINTS
3	1	09.811.03	DECAL - 500 MAX (CW)
4	2	1290074	DECAL - SLING HERE
5	1	1290352	DECAL - IN CAB INSTRUCTIONS
6	1	1290391	DECAL - SAFETY WARNINGS
7	1	1290745	DECAL - CAB CLEARANCE WARNING
8	1	1290746	DECAL - AUTO BREAKAWAY RETURN
9	1	1290774	DECAL - OIL FILTER CHANGE
10	1	1335246	SERIAL No. PLATE
11	4	7103230	POP RIVET
12	1	7105130	DECAL - READ INSTRUCTION BOOK
13	1	7135295	DECAL - TIGHTEN CHECK CHAINS

DECAL KITS – IDENTIFICATION & BRANDING

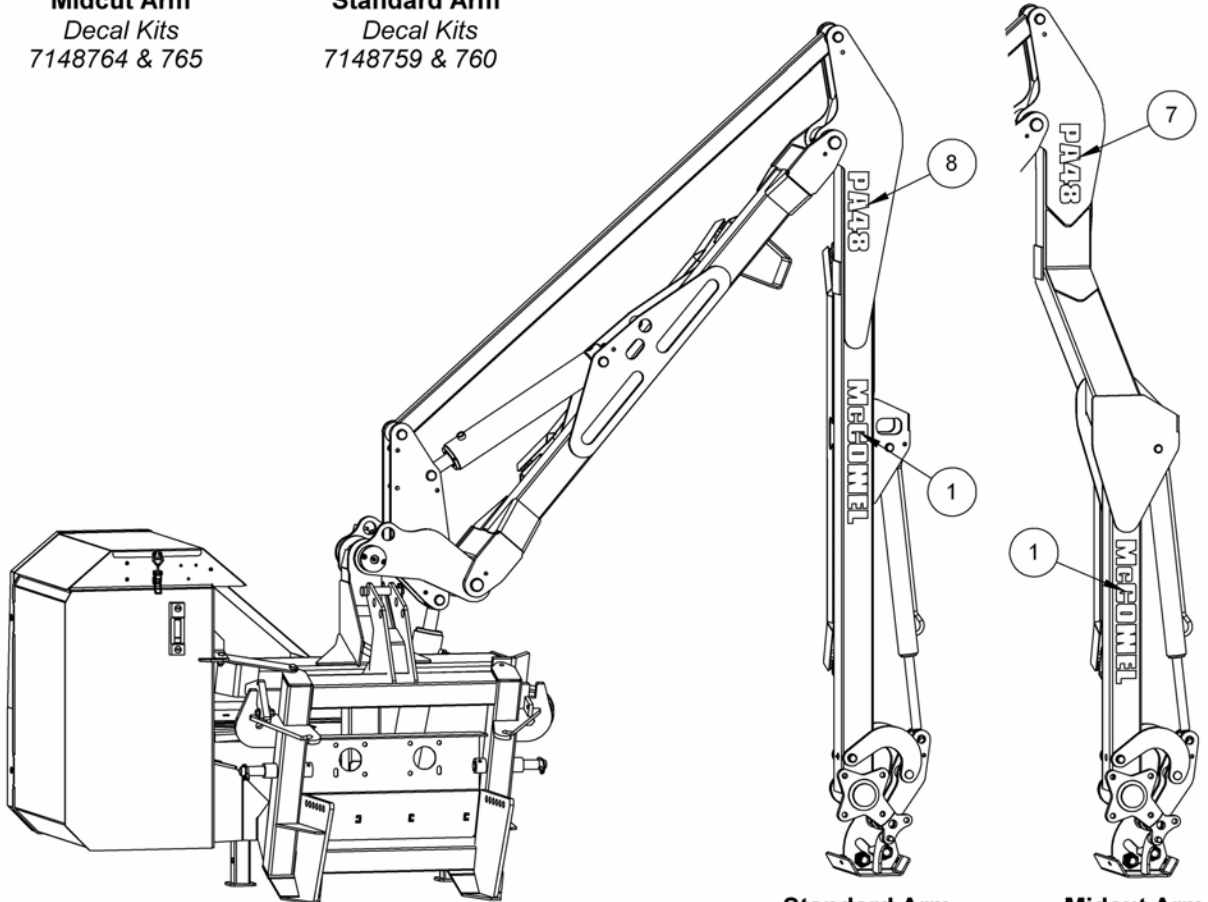
**McCONEL**

Module(s): 7148759, 7148760, 7148764, 7148765



**Midcut Arm**  
Decal Kits  
7148764 & 765

**Standard Arm**  
Decal Kits  
7148759 & 760



**Standard Arm**  
Decal Kits  
7148759 & 760

**Midcut Arm**  
Decal Kits  
7148764 & 765



DECAL KITS – IDENTIFICATION & BRANDING

**McCONNEL**

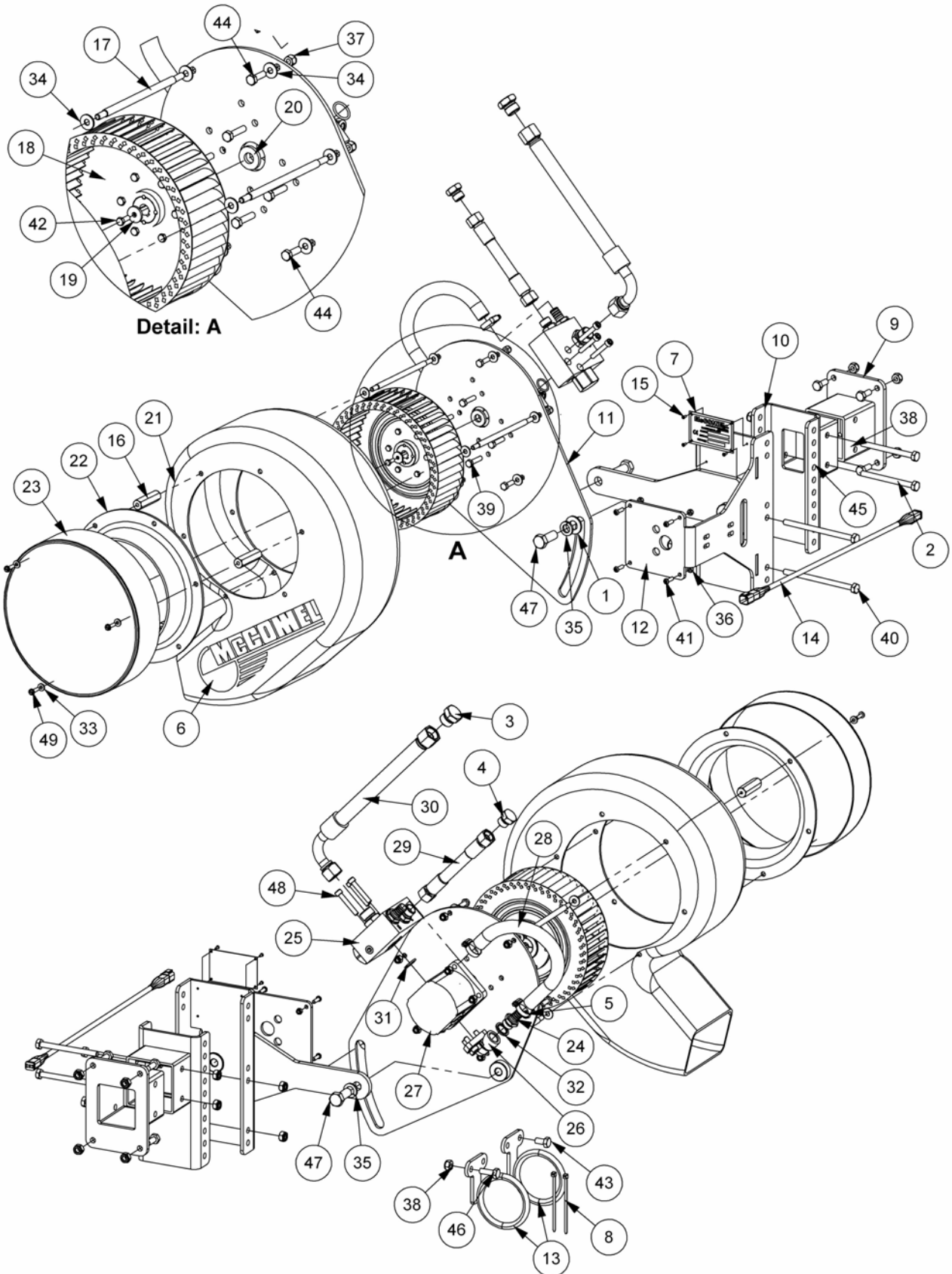
Module(s): 7148759, 7148760, 7148764, 7148765

REF.	QTY.	PART NO.	DESCRIPTION
		<b>7148759</b>	* <b>DECAL KIT - PA48 Mk2 Cable Standard Arm</b>
		<b>7148760</b>	** <b>DECAL KIT - PA48 Mk2 Electric Standard Arm</b>
1	1	1290255	DECAL - McCONNEL (BLACK)
2	1	1290614	DECAL - McCONNEL (WHITE)
3	1	1290649	DECAL - McCONNEL (WHITE)
4	1	1290697	DECAL - McCONNEL ROUNDEL
5	2	1290742	DECAL - McCONNEL ROUNDEL
6	1	1290761	DECAL - POWER ARM 48 (WHITE)
7	1	1290762	* DECAL - PA48 (WHITE)
	1	1290763	** DECAL - PA48E (WHITE)
8	1	1290764	* DECAL - PA48 (BLACK)
	1	1290765	** DECAL - PA48E (BLACK)
9	1	21917.02	HEAD DECAL - ORANGE (102 l/min.)
		<b>7148764</b>	* <b>DECAL KIT - PA48 Mk2 Cable Midcut Arm</b>
		<b>7148765</b>	** <b>DECAL KIT - PA48 Mk2 Electric Midcut Arm</b>
1	1	1290255	DECAL - McCONNEL (BLACK)
2	1	1290614	DECAL - McCONNEL (WHITE)
3	1	1290649	DECAL - McCONNEL (WHITE)
4	1	1290697	DECAL - McCONNEL ROUNDEL
5	2	1290742	DECAL - McCONNEL ROUNDEL
6	1	1290762	* DECAL - POWER ARM 48 (WHITE)
	1	1290763	** DECAL - POWER ARM 48E (WHITE)
7	1	1290764	* DECAL - PA48 (WHITE)
	1	1290765	** DECAL - PA48E (WHITE)
8	1	1290790	DECAL - POWER ARM 48 (WHITE)
9	1	21917.02	HEAD DECAL - ORANGE (102 l/min.)

# DEBRIS BLOWER KIT (HIGH FLOW BSP)

# McCONEL

Module(s): 7150800 – L/H Build, 7150801 – R/H Build



SUITABLE FOR BSP BUILDS OF THE FOLLOWING MACHINES;  
PA47Mk3, PA47Mk4, PA48Mk2, PA50Mk3, PA50 ECO Mk2 & PA55 ECO Mk2

**DEBRIS BLOWER KIT (HIGH FLOW BSP)****McCONNEL**

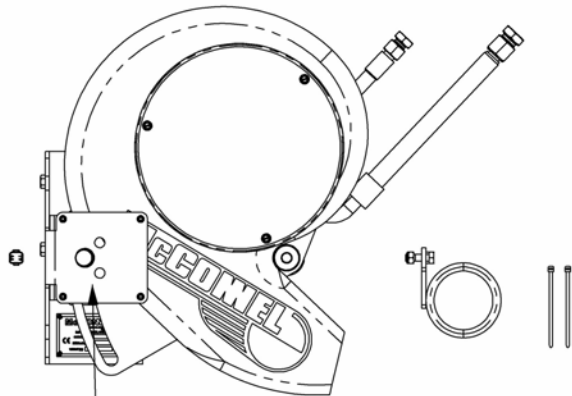
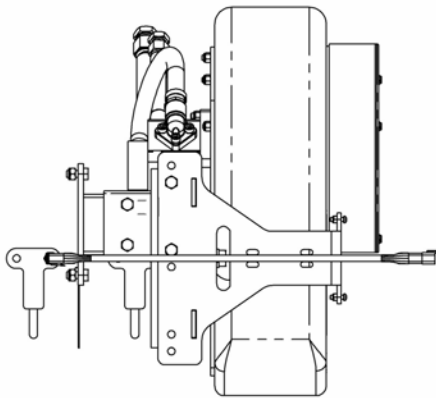
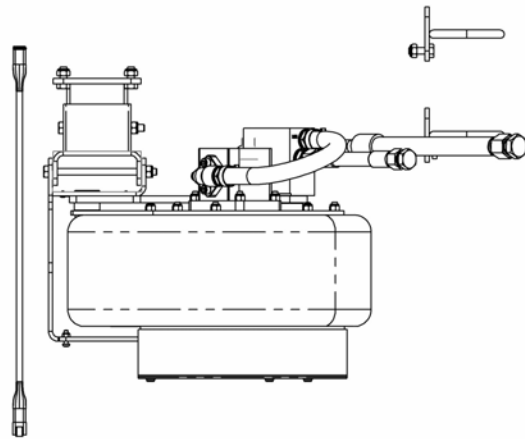
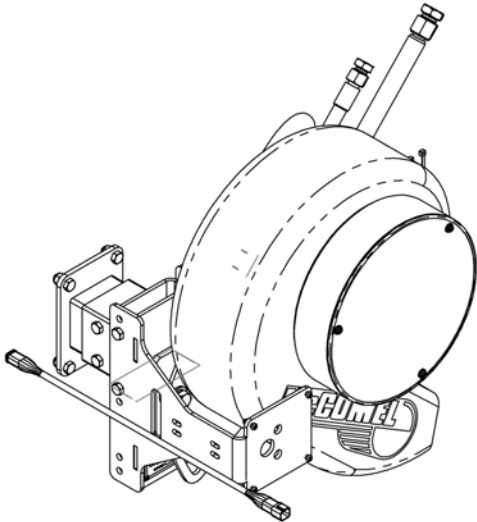
Module(s): 7150800 – L/H Build, 7150801 – R/H Build

REF.	QTY.	PART NO.	DESCRIPTION
		<b>7150800</b>	<b>DEBRIS BLOWER KIT (HIGH FLOW) - L/H Build</b>
		<b>7150801</b>	<b>DEBRIS BLOWER KIT (HIGH FLOW) - R/H Build</b>
1	1	0100106	FLAT WASHER
2	2	05.292.15	BOLT
3	1	05.313.01	BLANKING PLUG
4	1	05.433.06	PLUG - BSP WITH CONE
5	2	0904204	HOSE CLIP
6	1	1290317	McCONNEL DECAL - L/H Build Debris Blower
	1	1290318	McCONNEL DECAL - R/H Build Debris Blower
7	1	1335246	SERIAL No. PLATE
8	2	22342.01	CABLE TIE
9	1	22669.01	MOUNTING BRACKET
10	1	22670.01	HEIGHT ADJUSTMENT BRACKET
11	1	22671.01	BACK PLATE
12	1	22672.01	MAIN MOUNTING BRACKET
13	2	22673.01	HOSE GUIDE BRACKET
14	1	45657.01	LOOM EXTENTION - 500mm
15	4	7103230	POP RIVET
16	3	7319004	GUARD SPACER
17	3	7319005	CASING SPACER
18	1	7319007	BLOWER WHEEL - L/H Build Debris Blower
	1	7319008	BLOWER WHEEL - R/H Build Debris Blower
19	1	7319013	SPECIAL WASHER
20	1	7319014	SPACER
21	1	7319270	FAN CASING
22	1	7319271	SHROUD
23	1	7319272	MESH GUARD
24	1	8002059	RETURN CONNECTION
25	1	8132256	FLOW CONTROL ASSEMBLY (HIGH FLOW)
26	1	8301027	ELBOW c/w O RING, WASHERS & CAPSCREWS
27	1	8301285	HYDRAULIC MOTOR
28	1	8501396	HOSE - 5/8" BORE HOSE x 330mm
29	1	8513024	HOSE - 1/2" BSP FS/FS x 120"
30	1	8537015	HOSE - 3/4" BSP FS/F90 SWEPT x 110"
31	1	8600402	O RING
32	1	8650104	BONDED SEAL
33	3	9100103	FLAT WASHER
34	9	9100104	FLAT WASHER
35	2	9100207	SPRING WASHER
36	4	9163003	NYLOC NUT
37	10	9163004	NYLOC NUT
38	9	9163005	NYLOC NUT
39	4	9213074	BOLT
40	2	9213325	BOLT
41	4	9300143	BUTTON HEAD CAPSCREW
42	1	9313033	SETSCREW
43	1	9313045	SETSCREW
44	3	9313054	SETSCREW
45	4	9313055	SETSCREW
46	1	9313065	SETSCREW
47	2	9313087	SETSCREW
48	3	9343104	CAPSCREW
49	3	9383043	SLOTTED SETSCREW

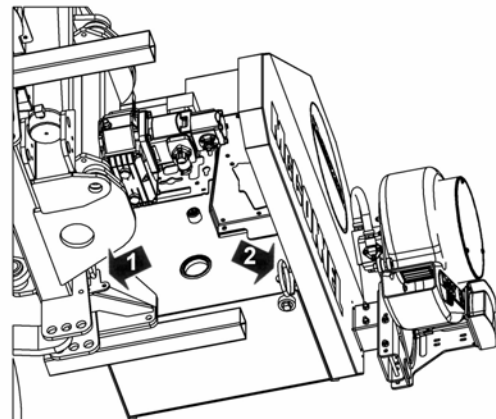
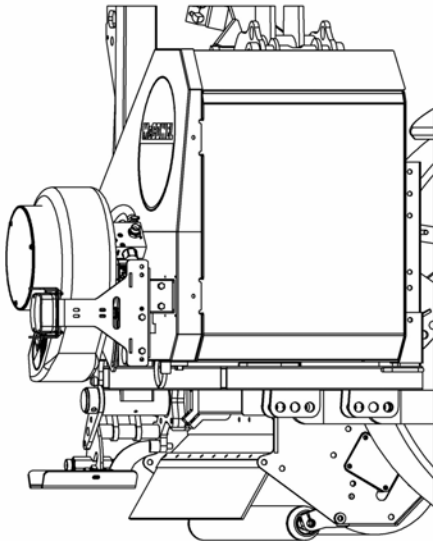
# DEBRIS BLOWER KIT - INSTALLATION

**McCONEL**

Module(s): 7150800 – L/H Build, 7150801 – R/H Build



FIT LIGHT & GUARD FROM COVER  
IN POSITION HERE (IF APPLICABLE).  
FIT EXTENSION ONTO EXISTING LOOM



HOSE GUIDE LOCATIONS

## FITTING INSTRUCTIONS

1. REMOVE REAR COVER
2. FIT TANK MTG BRKT 22669.01
3. FIT LOOM EXTENSION
4. REFIT COVER IN POSITION
5. FIT DEBRIS BLOWER ASSY
6. ATTACH LIGHT IF APPLICABLE
7. RUN HOSES THROUGH HOSE GUIDES
8. ADJUST TO REQUIRED HEIGHT AND ANGLE
9. ENSURE CABLES AND HOSES ARE NOT UNDER TENSION



McConnel Limited, Temeside Works, Ludlow, Shropshire SY8 1JL. England.  
Telephone: 01584 873131. Facsimile: 01584 876463. [www.mcconnel.com](http://www.mcconnel.com)