

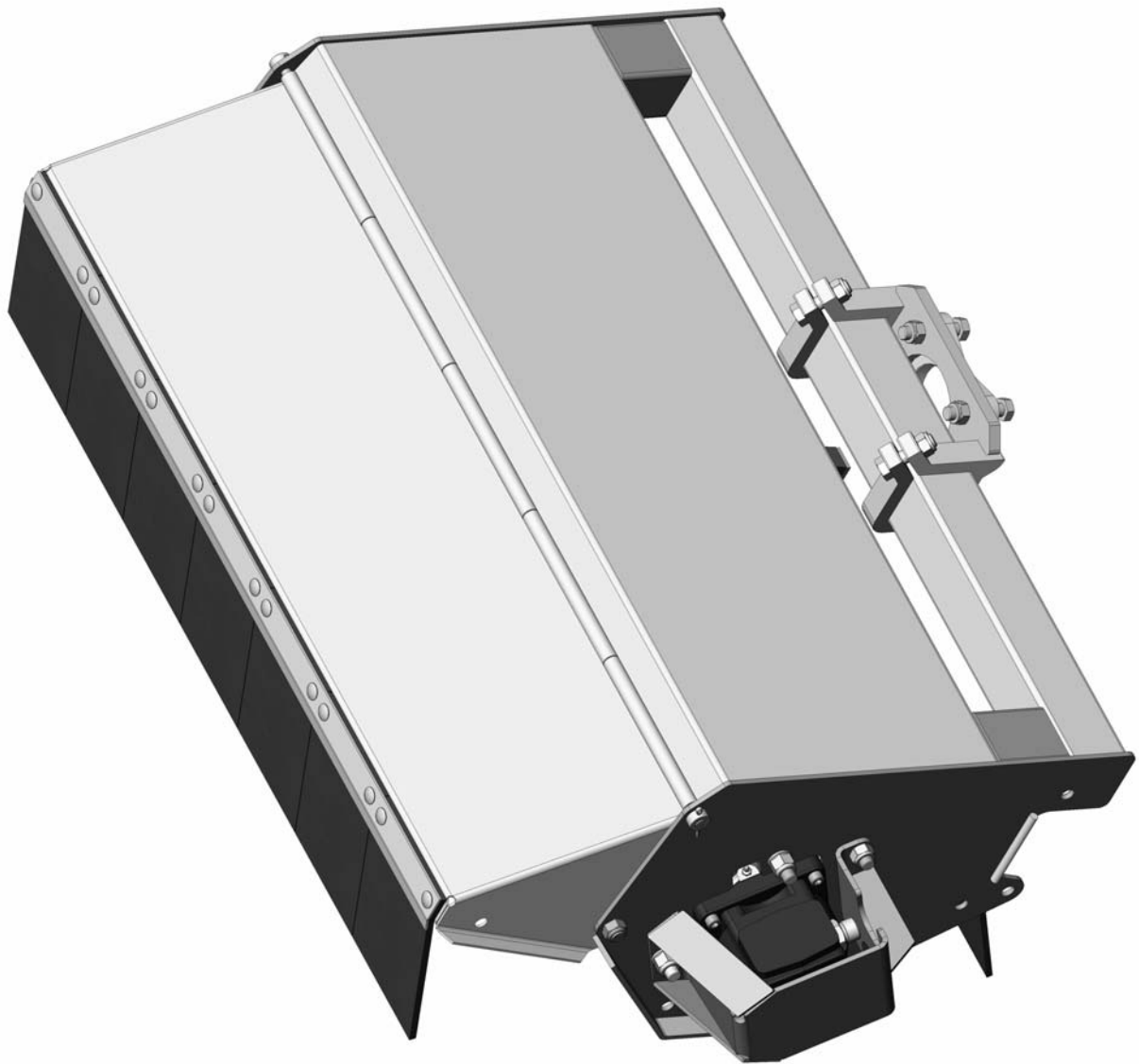
Publication 613  
October 2009  
Part No. 22674.13  
Revision: 23.11.09



# 1.0M SUPERCUT FLAILHEAD

SLIDING MOUNT HEAD - 45HP & 54HP BUILDS

Parts Manual





*For best performance ...*

## **USE ONLY GENUINE McCONEl SERVICE PARTS**

*To be assured of the latest design improvements purchase your  
'Genuine Replacements' from the 'Original Equipment Manufacturer'*

# **McCONEl LIMITED**

*Through your local Dealer or Stockist*

**Always quote:**

- ***Machine Type***
- ***Serial Number***
- ***Part Number***

*Design improvements may alter some of the parts listed in this manual –  
the latest part will always be supplied when it is interchangeable with an earlier one.*

## CONTENTS

---

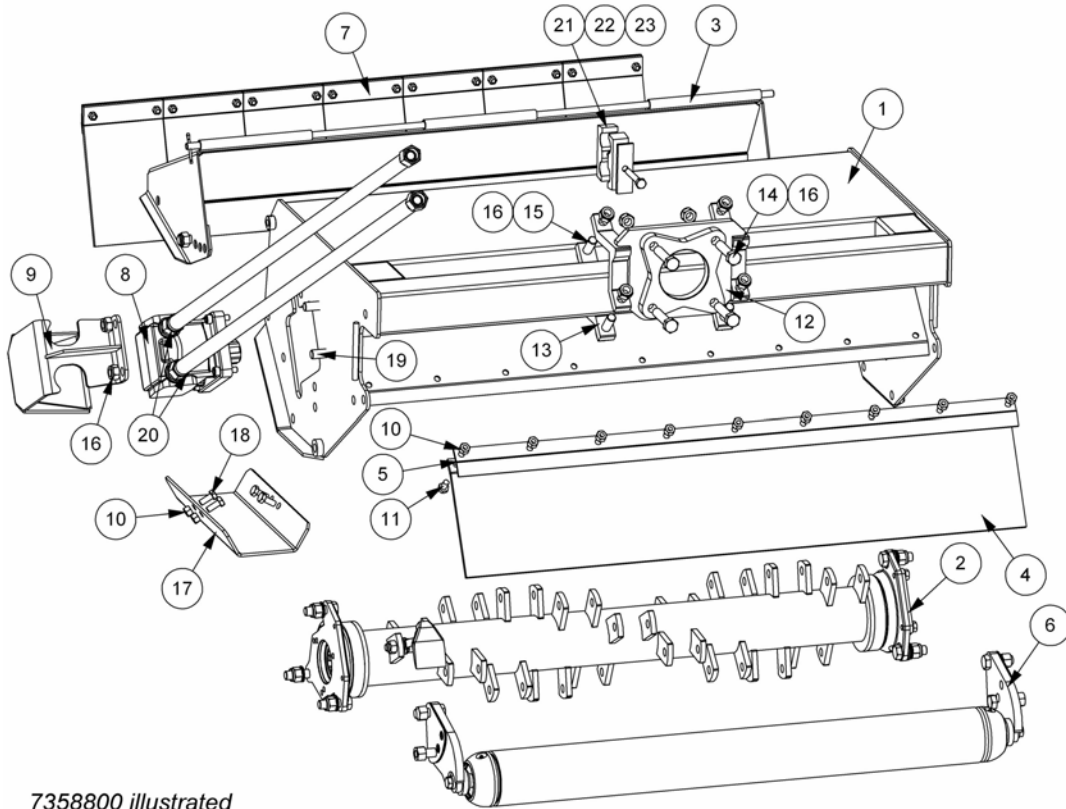
Flailhead Assembly	3
Rotor Assemblies	4
45HP Motor Assembly	6
54HP Motor Assembly	7
Roller Assembly	8
Front Hood Kit	9
Front Flap Kit	10
Decal Kit	11



# 1.0M SUPERCUT FLAILHEAD (SLIDING MOUNT)

**McCONEL**

Module(s): 7358800 – 45HP Build, 7358820 – 54HP Build



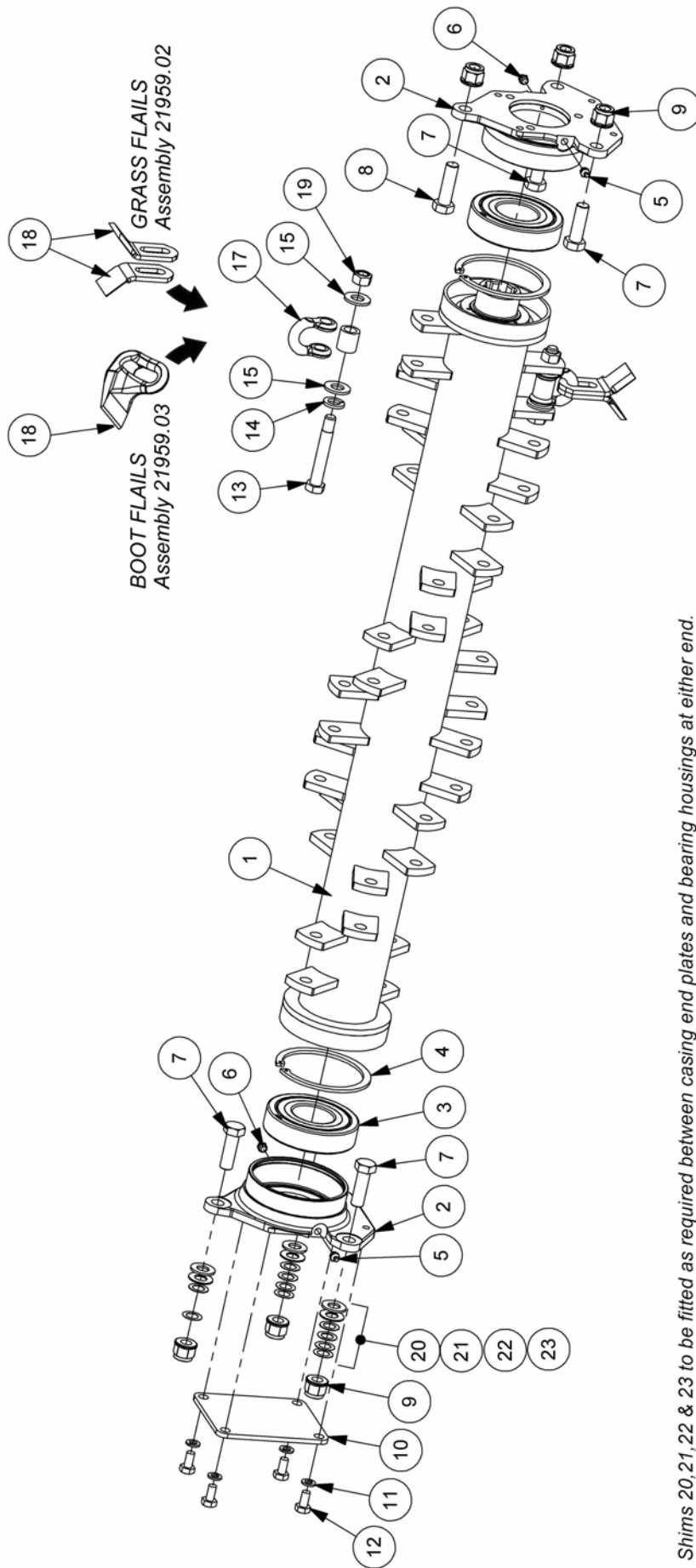
7358800 illustrated

REF.	QTY.	PART No.	DESCRIPTION
		<b>7358800</b>	<b>1.0M SUPERCUT FLAILHEAD ASSEMBLY (45HP)</b>
		<b>7358820</b>	<b>1.0M SUPERCUT FLAILHEAD ASSEMBLY (54HP)</b>
1	1	7198412	CASING -1.0M (SUPERCUT SLIDING)
2	1	21959.03	ROTOR MODULE
3	1	7191376	FRONT HOOD KIT
4	1	7191300	REAR FLAP
5	1	7191319	CLAMP STRIP
6	1	42241.22	ROLLER ASSEMBLY
7	1	7191321	FRONT FLAP KIT
8	1	21965.01	MOTOR MODULE (45HP) - Build 7358800
	1	21965.03	MOTOR MODULE (54HP) - Build 7358820
9	1	7191393	MOTOR COVER
10	13	9143005	SELF-LOCKING NUT
11	9	9313045	SETSCREW
12	1	7198330	CLAMP
13	2	7198332	CLAMP
14	4	12.714.75	BOLT
15	4	9200031	BOLT
16	10	9100028	SELF-LOCKING NUT
17	1	7198333	HOSE TRAY
18	4	9313055	SETSCREW
19	2	12.714.35	BOLT
20	2	10.009.25	HOSE - 3/4" BSP FS/FS x 1500mm - Build 7358800
	2	10.025.25	HOSE - 1" BSP FS/F135 x 1500mm - Build 7358820
21	1	7190148	PLASTIC CLAMP (PAIR) - Build 7358800
	1	7193063	PLASTIC CLAMP (PAIR) - Build 7358820
22	1	06.418.05	CLAMP PLATE
23	1	9213145	BOLT
24	1	9100205	SPRING WASHER

# 1.0M ROTOR ASSEMBLIES

Module(s): 21959.02, 21959.03

**McCONEL**



*Shims 20, 21, 22 & 23 to be fitted as required between casing end plates and bearing housings at either end.*

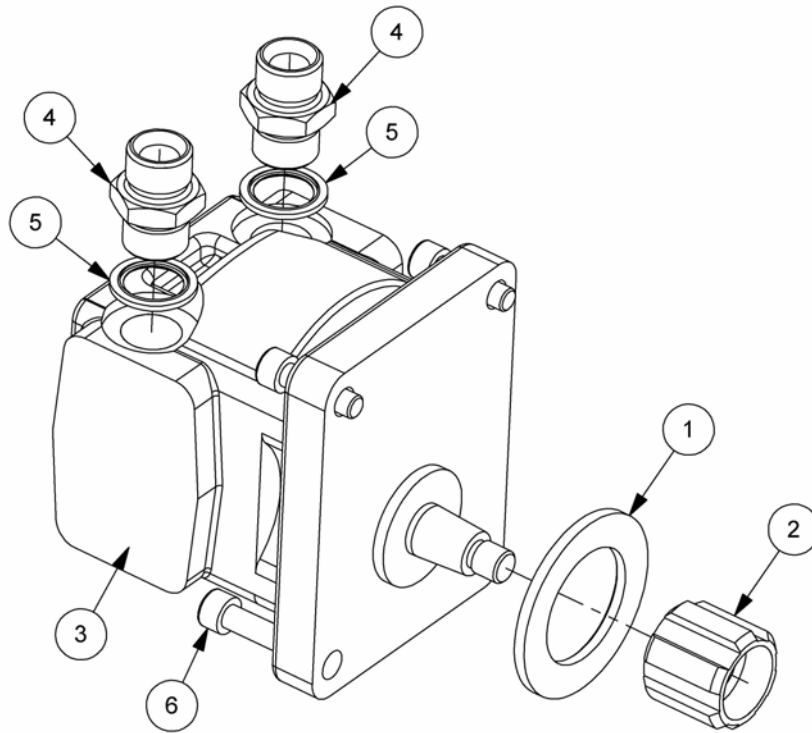
# 1.0M ROTOR ASSEMBLIES

**McCONNEL**

Module(s): 21959.02, 21959.03

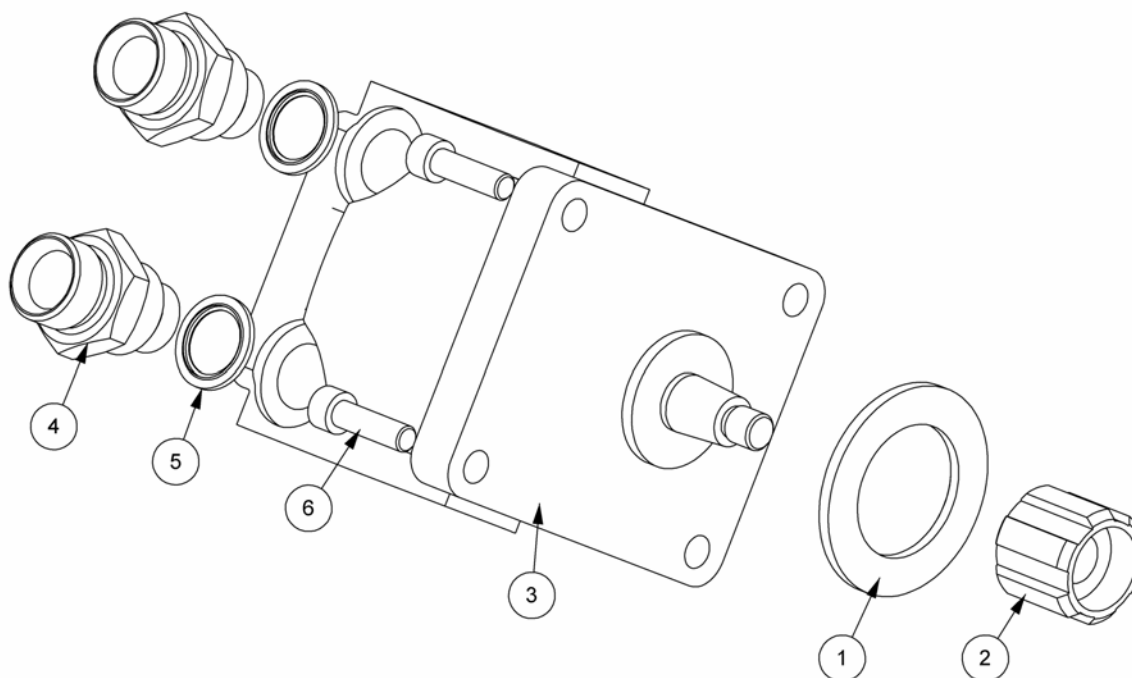
REF.	QTY.	PART No.	DESCRIPTION
		<b>21959.02</b>	<b>1.0M ROTOR ASSEMBLY - GRASS</b>
		<b>21959.03</b>	<b>1.0M ROTOR ASSEMBLY - UNIVERSAL</b>
1	1	7198345	SUPERCUT ROTOR - 1.0M Build
2	2	7190261	BEARING HOUSING
3	2	0600018	BALL BEARING
4	2	7190022	CIRCLIP - INTERNAL
5	2	0901121	GREASE NIPPLE
6	2	0901125	GREASE NIPPLE
7	5	9200025	BOLT
8	1	9200023	BOLT
9	6	9100024	SELF-LOCKING FLANGE NUT
10	1	7190444	COVER PLATE
11	4	9100205	SPRING WASHER
12	4	9313045	SETSCREW
13	20	05.775.10	BOLT - SPECIAL
14	20	9100207	SPRING WASHER
15	40	05.281.04	FLAT WASHER
16	20	02.807.01	SPACER
17	20	05.895.01	SHACKLE
18	40	7190166	GRASS FLAIL - <i>Assembly 21959.02</i>
	20	7190462	BOOT FLAIL - <i>Assembly 21959.03</i>
19	20	05.968.06	SELF LOCKING NUT - THIN
20	3	7191098	* SHIM - 1.5mm
21	3	7191099	* SHIM - 2.5mm
22	5	8121043	* SHIM - 0.4mm
23	5	8121044	* SHIM - 0.6mm

\* *Fit as required*



REF.	QTY.	PART No.	DESCRIPTION
		<b>21965.01</b>	<b>FLAILHEAD MOTOR (45HP)</b>
1	1	7190015	LOCATING WASHER
2	1	7190573	DRIVE COUPLING - 6 SPLINE
3	1	8301303	45HP MOTOR (BACK PORTED)
4	2	8581136	ADAPTOR
5	2	8650106	BONDED SEAL
6	4	9300144	CAPSCREW
		<b>8699236</b>	<b>SEAL KIT</b>
		<b>8629209</b>	<b>SHAFT SEAL</b>



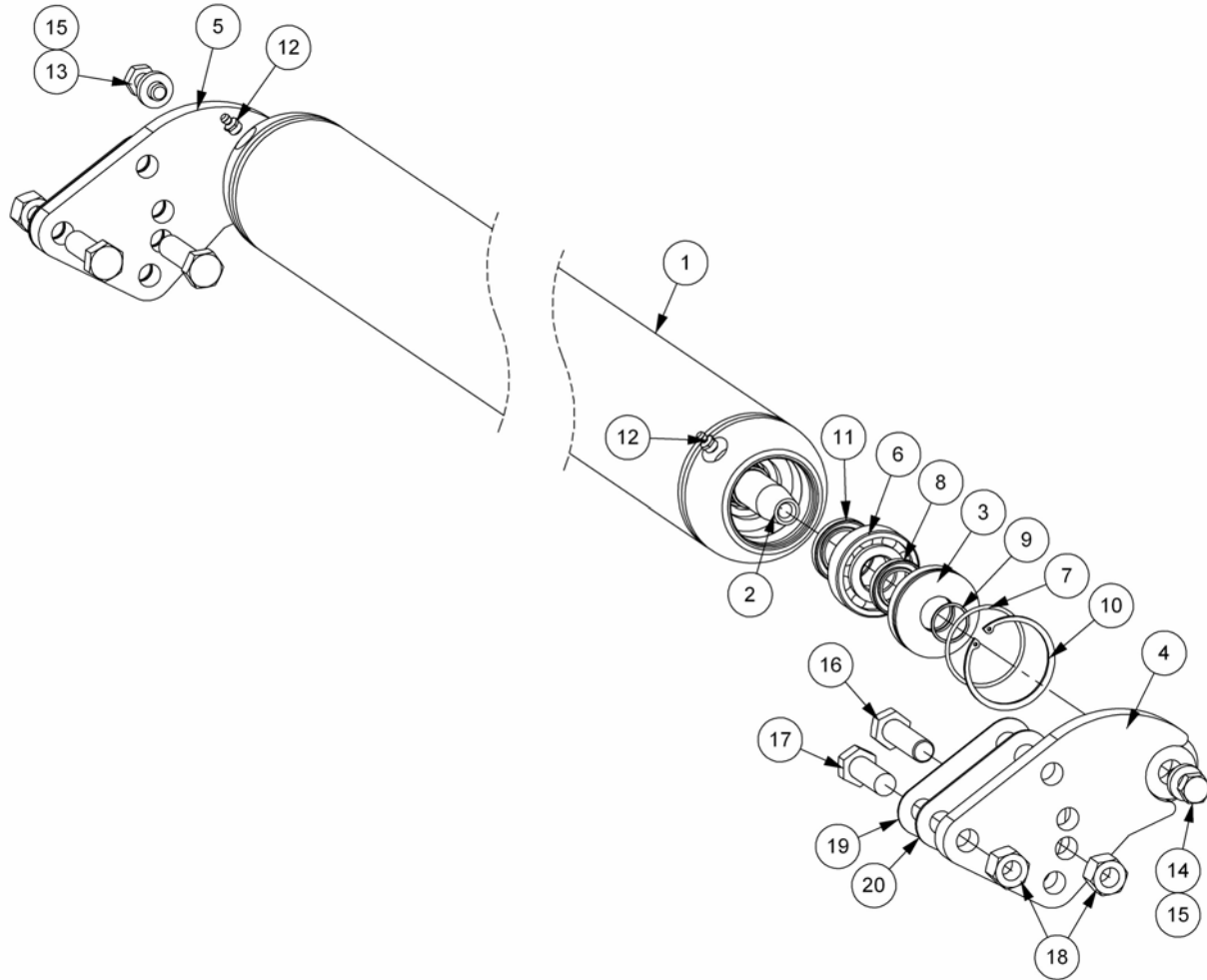


REF.	QTY.	PART No.	DESCRIPTION
		<b>21965.03</b>	<b>FLAILHEAD MOTOR (54HP)</b>
1	1	7190015	LOCATING WASHER
2	1	7190573	DRIVE COUPLING - 6 SPLINE
3	1	8301302	54HP MOTOR (BACK PORTED)
4	2	8581295	ADAPTOR
5	2	8650106	BONDED SEAL
6	4	9300144	CAPSCREW
		<b>8699236</b>	<b>SEAL KIT</b>
		<b>8629209</b>	<b>SHAFT SEAL</b>

# 1.0M ROLLER ASSEMBLY

**McCONNEL**

Module(s): 42241.22

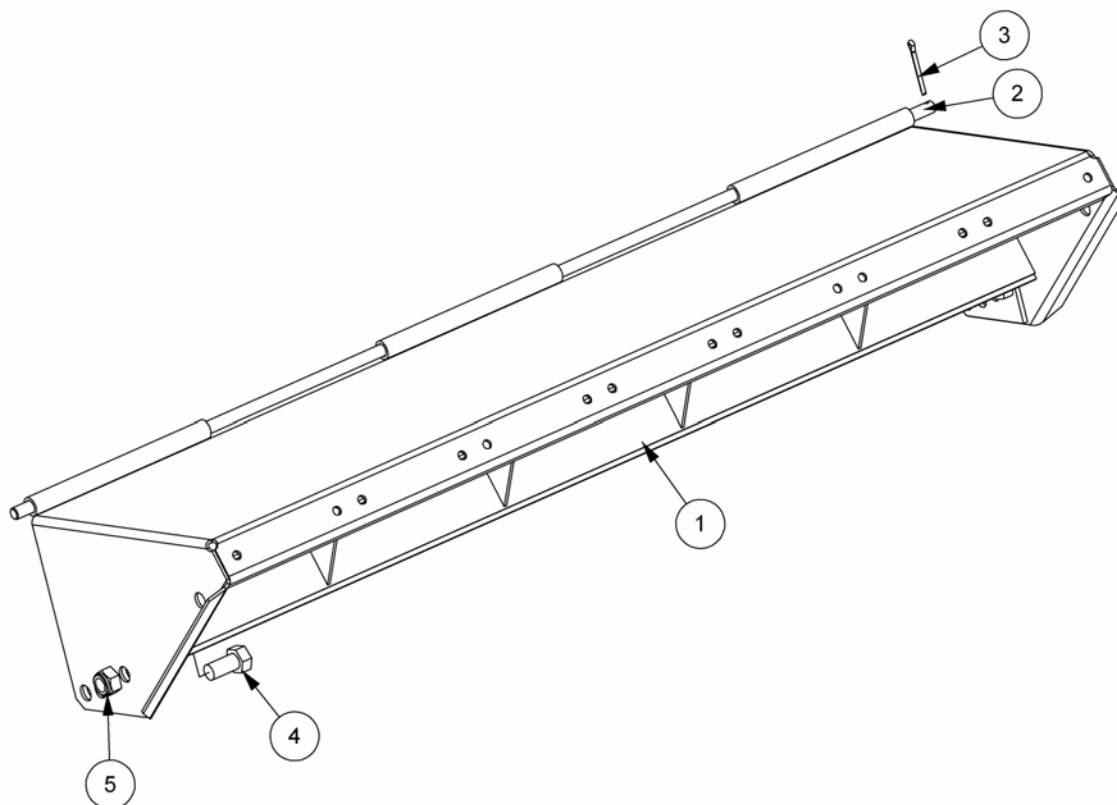


REF.	QTY.	PART No.	DESCRIPTION
		<b>42241.22</b>	<b>1.0M ROLLER ASSEMBLY</b>
1	1	42241.12	1.0M ROLLER
2	1	42242.06	ROLLER AXLE
3	2	42573.01	SEAL CARRIER
4	1	42246.04	ROLLER BRACKET - L/H
5	1	42246.05	ROLLER BRACKET - R/H
6	2	0600107	BEARING
7	2	8600422	O RING
8	2	8629216	ROTARY SHAFT SEAL
9	2	0412117	SPIROLOX RING
10	2	0411262	INTERNAL CIRCLIP
11	2	8629215	ROTARY SHAFT SEAL
12	2	0901121	GREASE NIPPLE
13	1	9300149	TUFLOK SETSCREW (R/H)
14	1	9300150	TUFLOK SETSCREW (L/H)
15	2	42503.02	SPECIAL WASHER
16	2	9213117	BOLT
17	2	9313097	SETSCREW
18	4	9143007	SELF-LOCKING NUT
19	as req'd	42257.03	SHIM - 1.2mm
20	as req'd	42257.04	SHIM - 2.0mm

# FRONT HOOD KIT

# McCONNEL

Module(s): 7191376

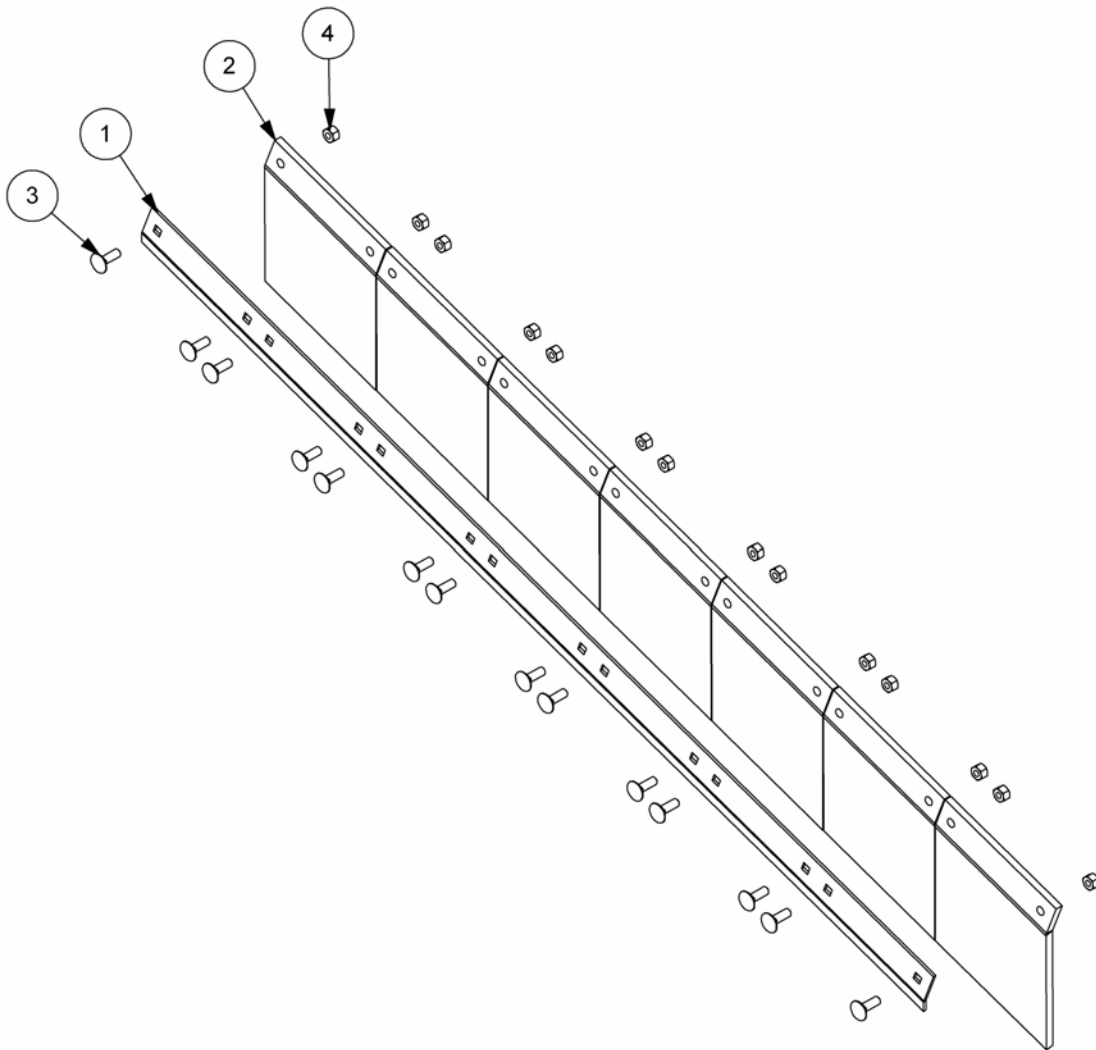


REF.	QTY.	PART No.	DESCRIPTION
		<b>7191376</b>	<b>FRONT HOOD KIT (1.0M HEAD)</b>
1	1	7191279	1.0M FRONT HOOD
2	1	7191094	HOOD PIVOT PIN
3	1	9501406	SPLIT PIN
4	2	0311106	SCREW
5	2	0141006	CLEVELOC NUT

# FRONT FLAP KIT

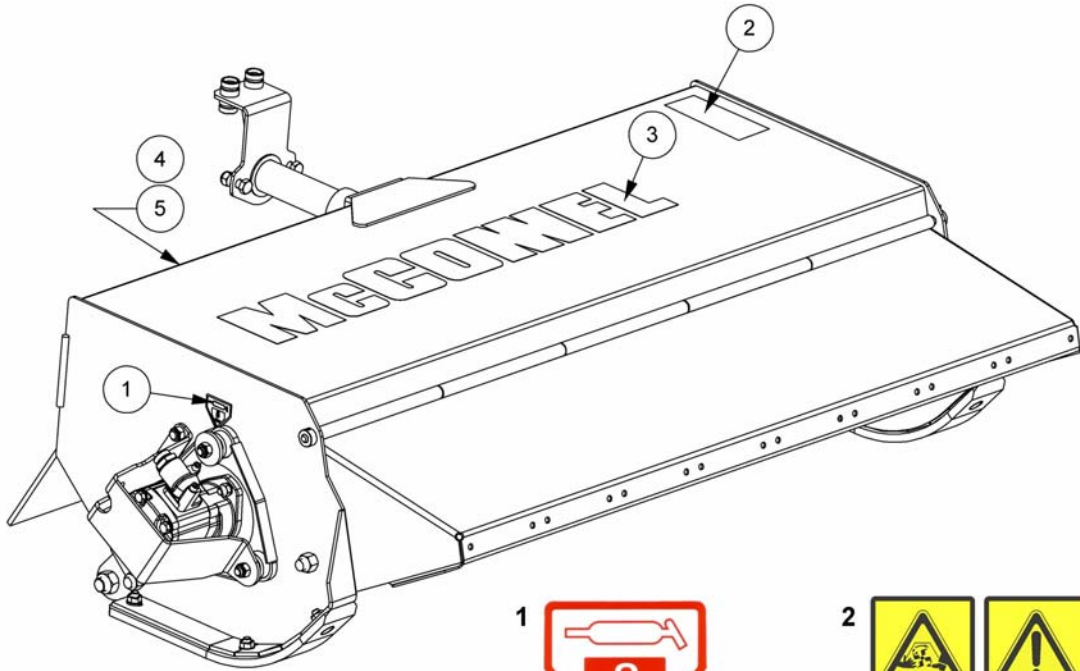
**McCONNEL**

Module(s): 7191321



REF.	QTY.	PART No.	DESCRIPTION
		<b>7191321</b>	<b>FRONT FLAP KIT</b>
1	1	7190350	CLAMP STRIP
2	7	7190035	FRONT FLAP
3	14	9293054	CUP HEAD SCREW
4	14	9143004	SELF-LOCKING NUT

**NOTE: Model shown for general illustration purposes only and may differ from actual flailhead.**



REF.	QTY.	PART No.	DESCRIPTION
		<b>21978.02</b>	<b>DECAL KIT</b>
1	1	09.810.01	DECAL - GREASE (8 HRS)
2	1	09.821.35	DECAL - COMBINED EURODECAL
3	1	1290527	DECAL - McCONNEL
4	1	1335246	SERIAL NUMBER PLATE
5	4	7103230	POP RIVET



McConnel Limited, Temeside Works, Ludlow, Shropshire SY8 1JL. England.  
Telephone: 01584 873131. Facsimile: 01584 876463. [www.mcconnel.com](http://www.mcconnel.com)