

PARTS MANUAL

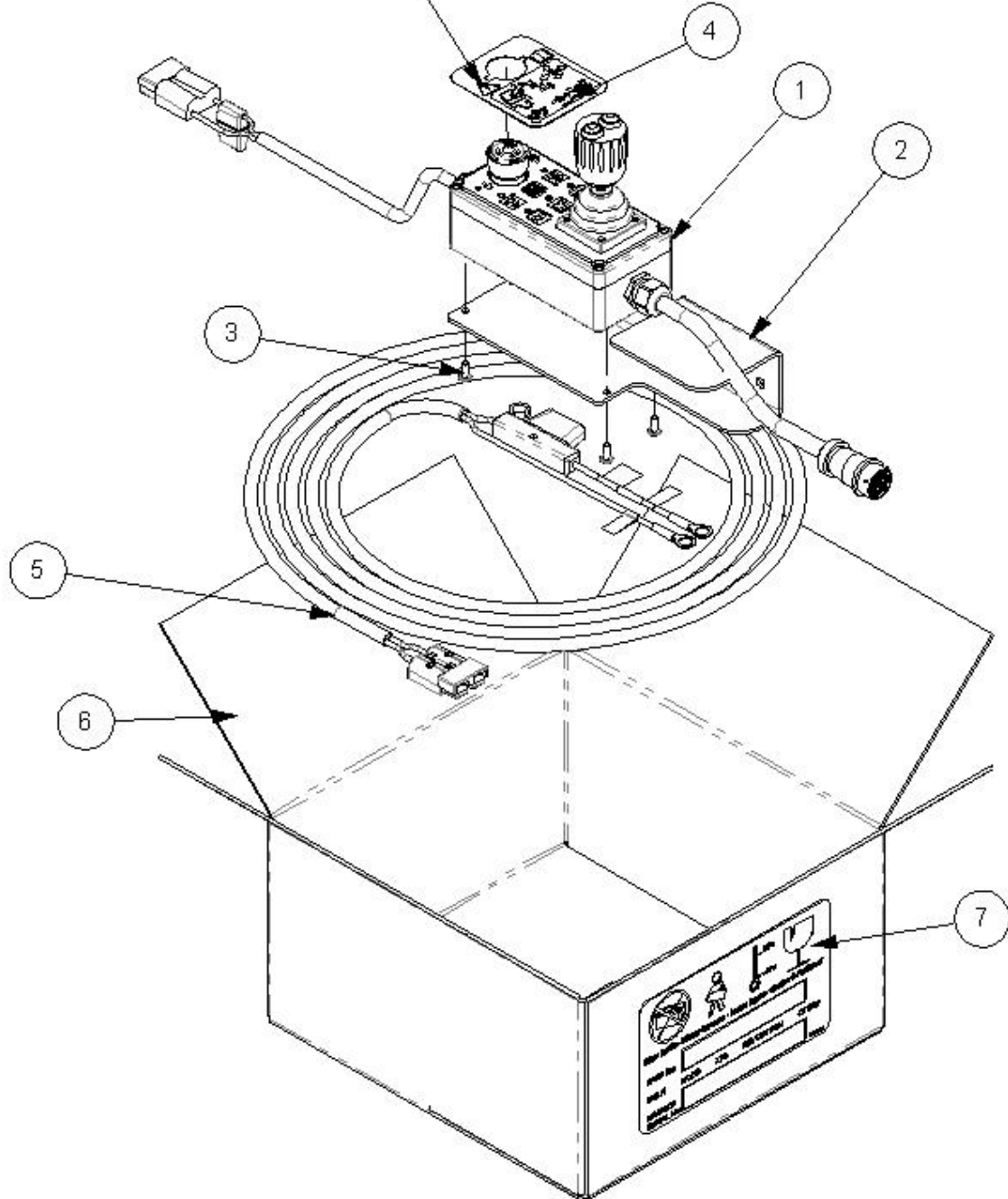
FOR

SERIAL NO: M2164801

PRINTED ON 03 MAY 2021

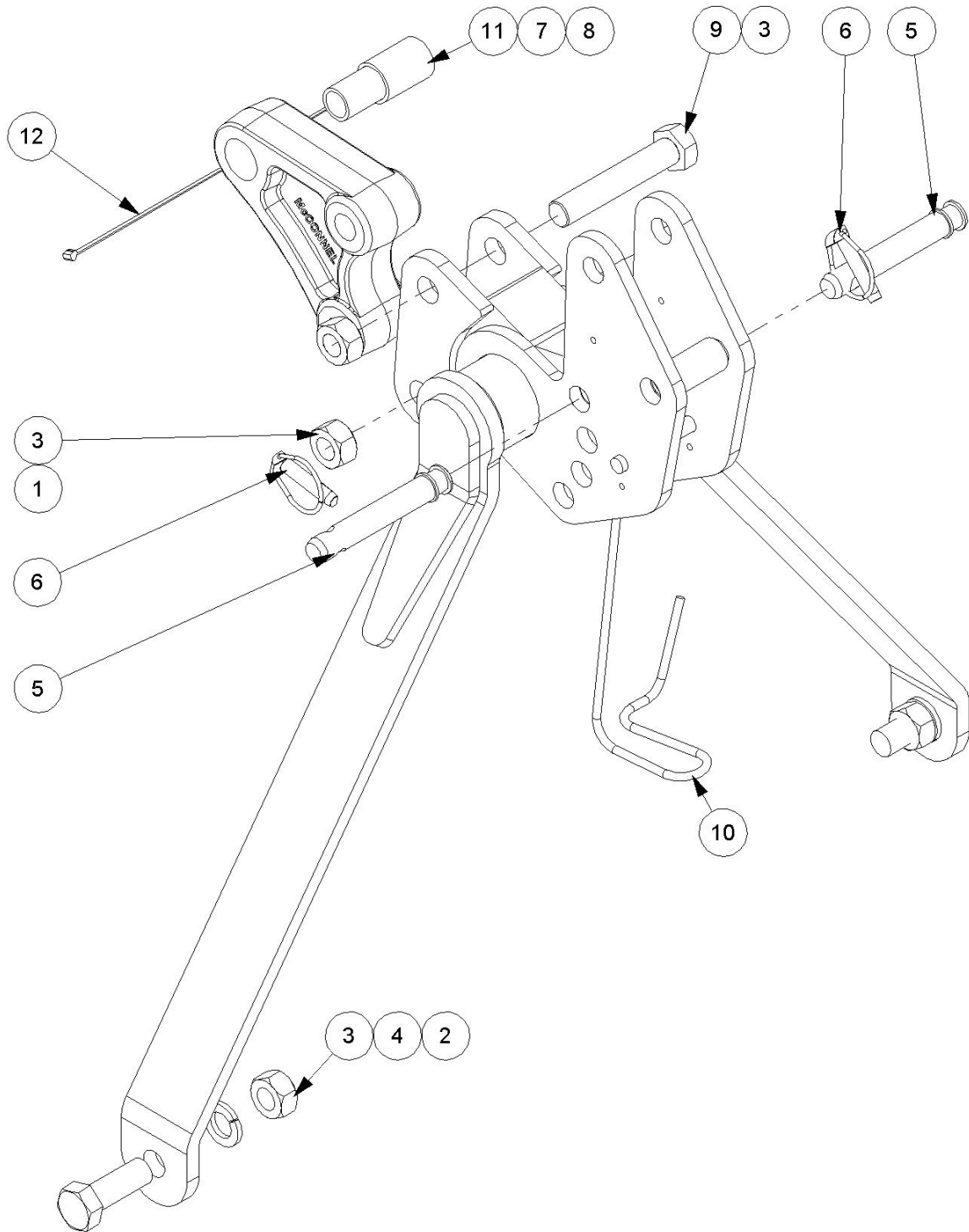
23880.01 - MINI CONTROLS COMES WITH POWER

FIT DECAL OVER E STOP



Ref	Part No	Description	QTY
1	23880.11	MINI CONTROLS	1
2	42442.04	MINI MOTION CONTROLS BRACKET	1
3	2800243	SCREW	4
4	1291169	OPERATIONAL DECAL	1
5	8402237	LOOM	1
6	8402701	BOX	1
7	1290717	DECAL	1

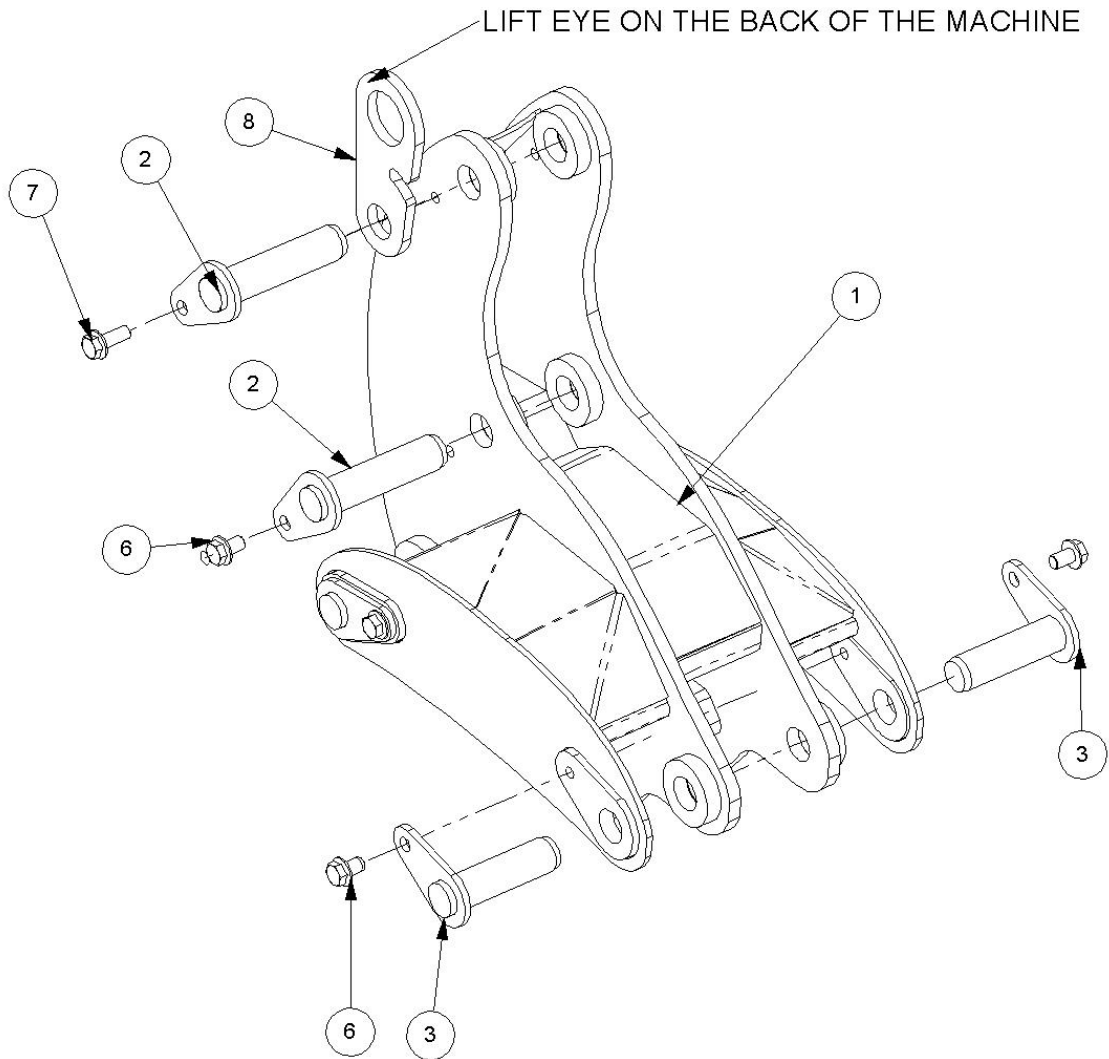
7434627 - STABILIZER KIT



Ref	Part No	Description	QTY
1	41205.18	STABILIZER	1
2	9313118	SCREW	2
3	9113008	NUT	4
4	9100208	WASHER	2
5	T1657	PIN - LINKAGE	2
6	0431217	LINCH PIN	2
7	1467063	SLEEVE	2
8	7499506C	TONGUE STAB CAT 3 CAST	1

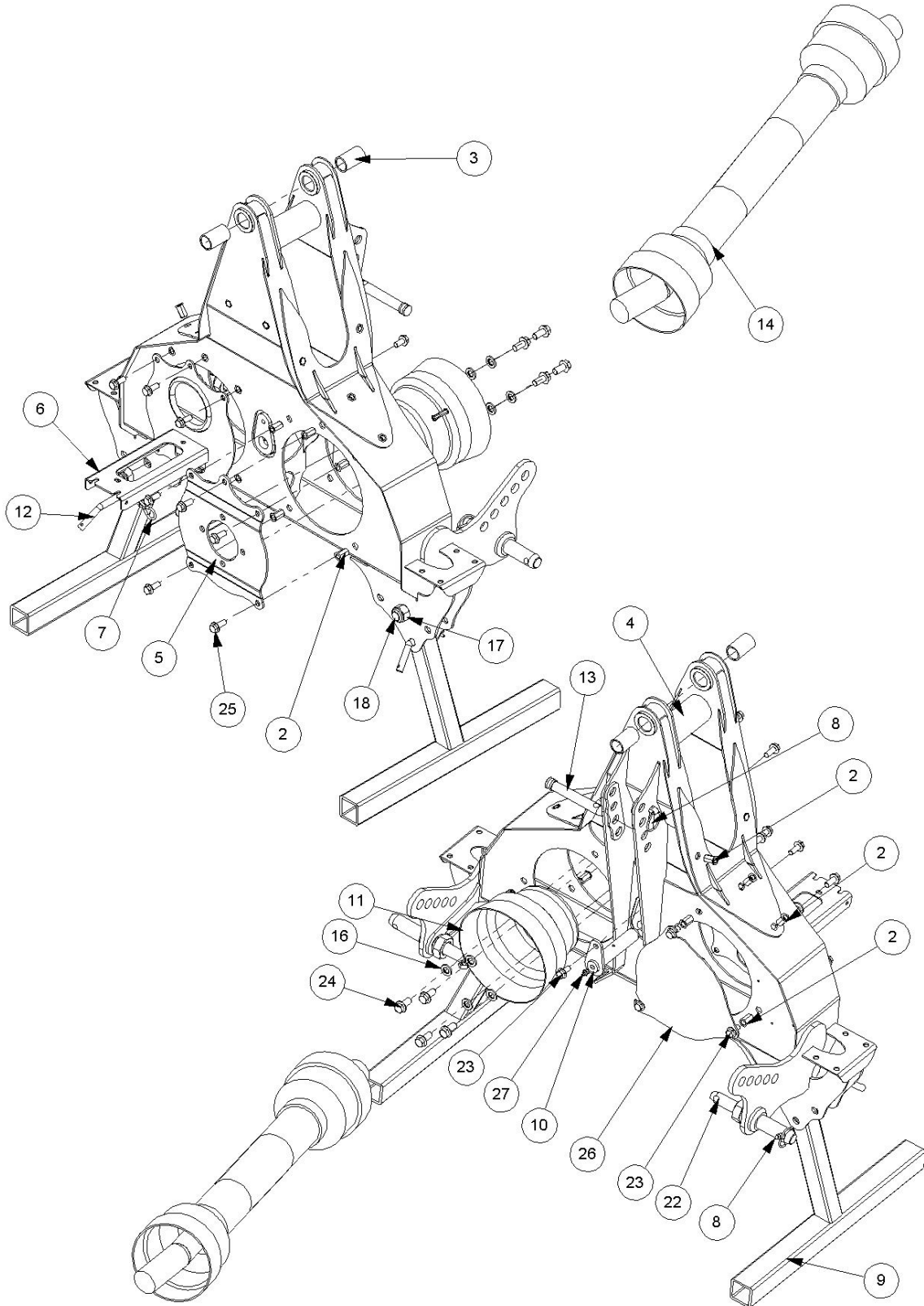
Ref	Part No	Description	QTY
9	9213228	BOLT	2
10	21160.03	HOOK	1
11	21883.01	SLEEVE CAT 2-3	1
12	7196045	HOSE TIE	1

7434729 - ROCKER MODULE PA 30 SERIES



Ref	Part No	Description	QTY
1	41198.12	PA4830 ROCKER W.A.	1
2	24401.04	PIN 1 IN DIA X 102 LG EN16T	3
3	24401.01	PIN 1 IN DIA X 88 LG EN16T	4
6	94441016	BOLT	6
7	94441025	BOLT	1
8	22667.02	SLINGING EYE	1

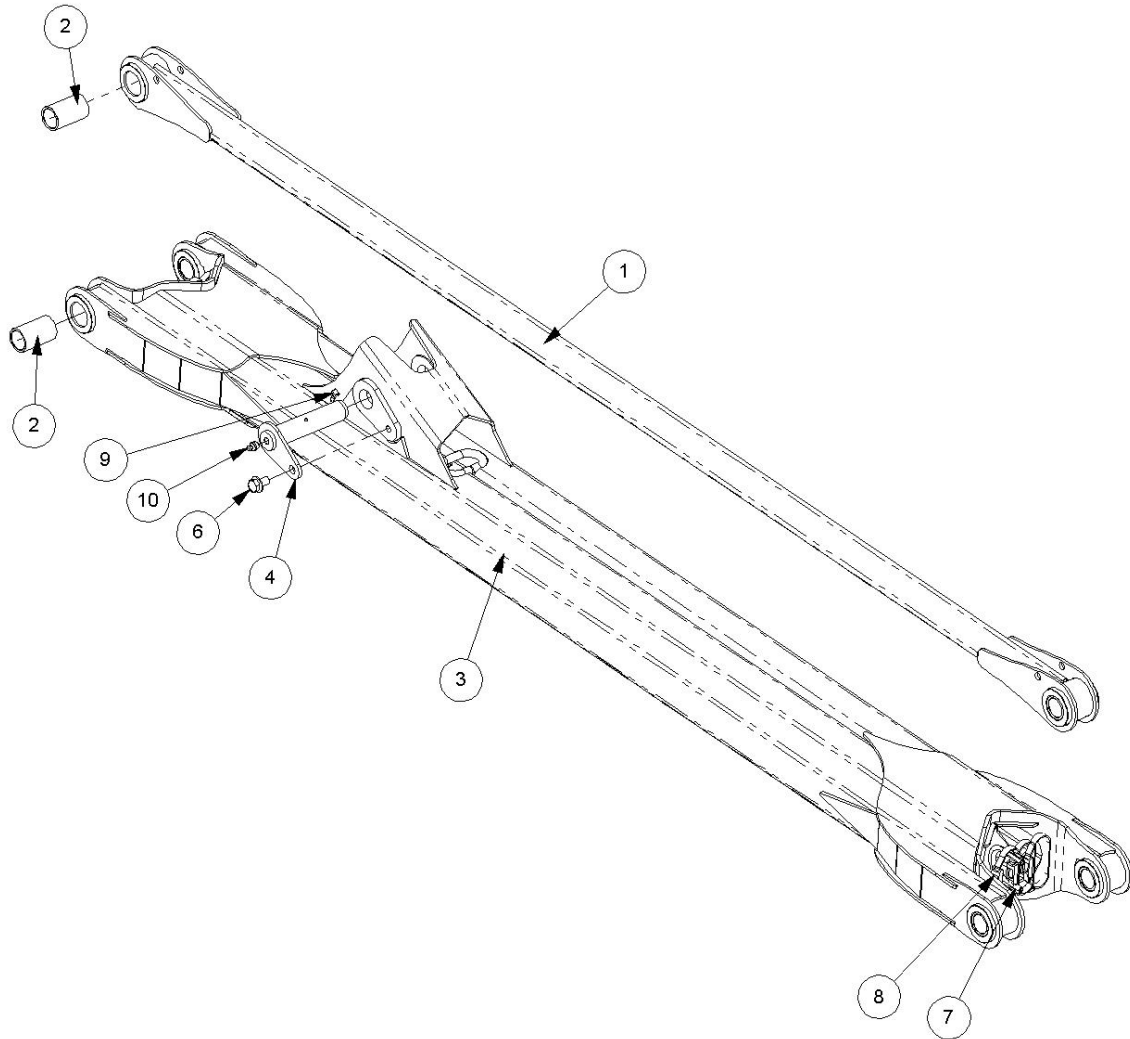
7434733 - PA 30 SERIES MAIN FRAME MODULE



Ref	Part No	Description	QTY
2	24011.11	SHEET NUT	19
3	24065.05	BUSH	2

Ref	Part No	Description	QTY
4	24075.01	MAIN FRAME	1
5	24075.02	GEARBOX PLATE	1
6	24075.03	BRACKET	1
7	0431105	PIN	2
8	0431217	LINCH PIN	3
9	41203.05	LEG	2
10	24401.05	PIN 1 IN DIA 125 LG	1
11	42694.04	GUARD	1
12	1090051	PIN	2
13	6310202	PIN	1
14	7114289	PTO SHAFT	1
16	9100606	WASHER	4
17	9163008	NUT	2
18	9213158	BOLT	2
22	21039.03	PIN	2
23	94441020	BOLT	4
24	94441225	BOLT	4
25	94441025	BOLT	10
26	24075.09	COVER PLATE	1
27	0901121	GREASER	1

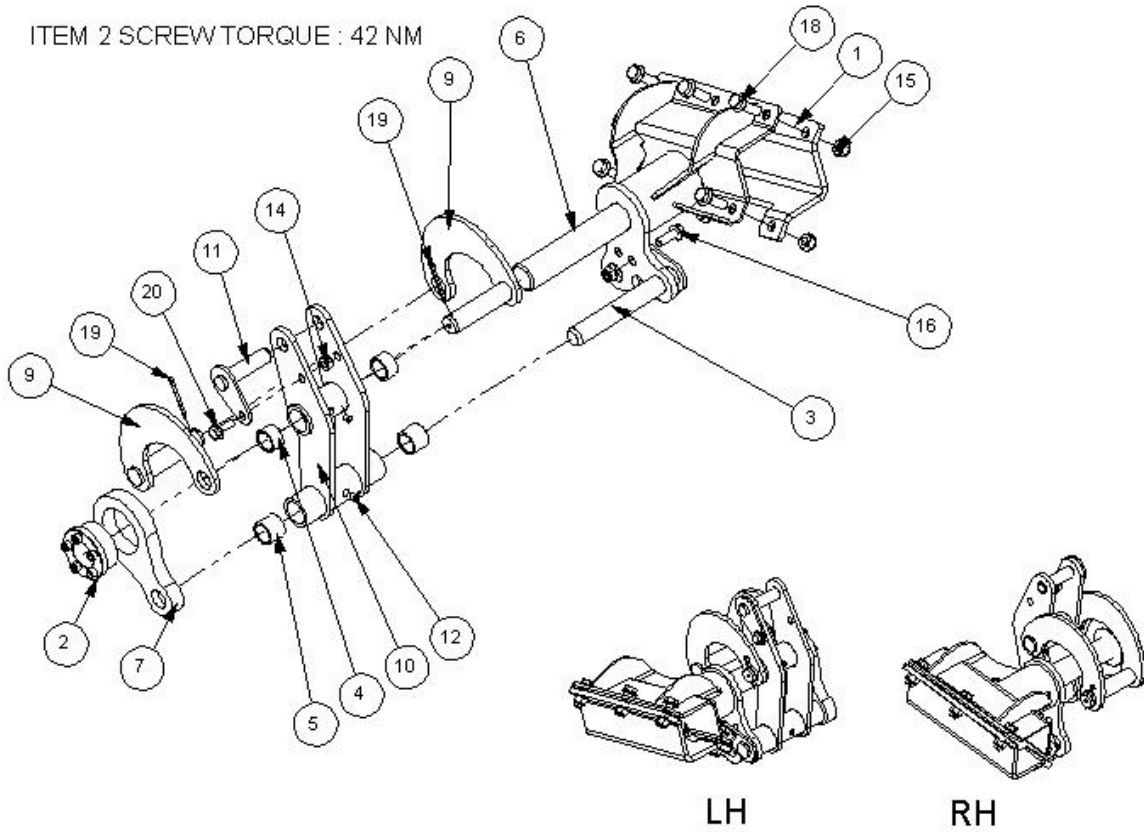
7434735 - PA4830 MAIN ARM MODULE



Ref	Part No	Description	QTY
1	22887.04	TENSION LINK	1
2	24065.05	BUSH	6
3	24076.02	MAIN ARM PA4830 W.A.	1
4	24401.03	PIN 1 IN DIA X 115 LG EN16T	1
6	94441016	BOLT	1
7	43468.38	EDGING STRIP	2
8	7196045	HOSE TIE	6
9	22342.01	CABLE TIE	1
10	0901121	GREASER	1

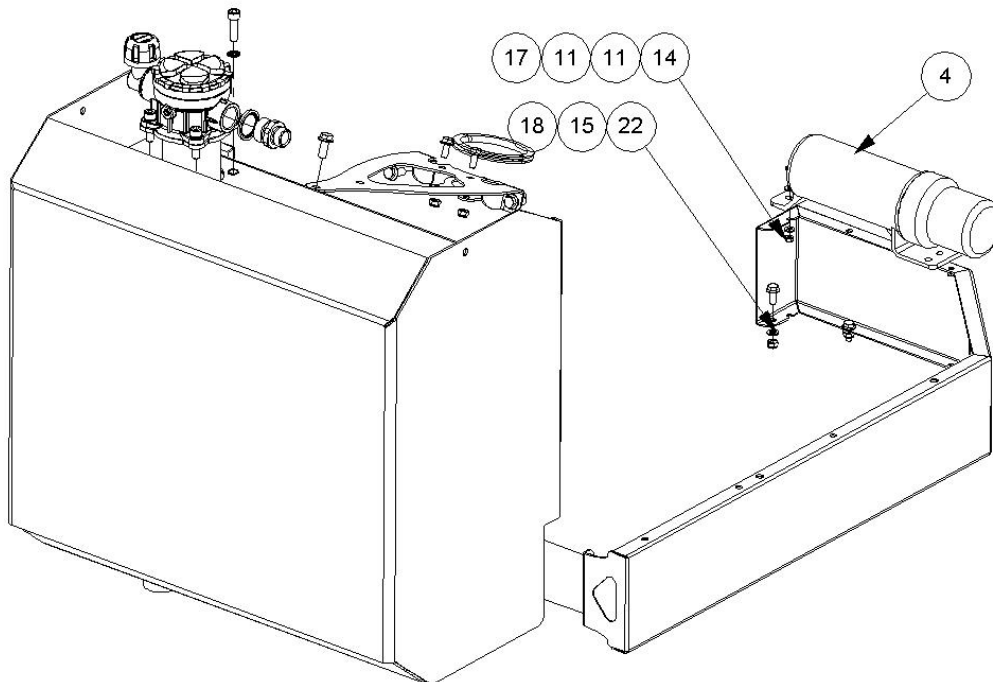
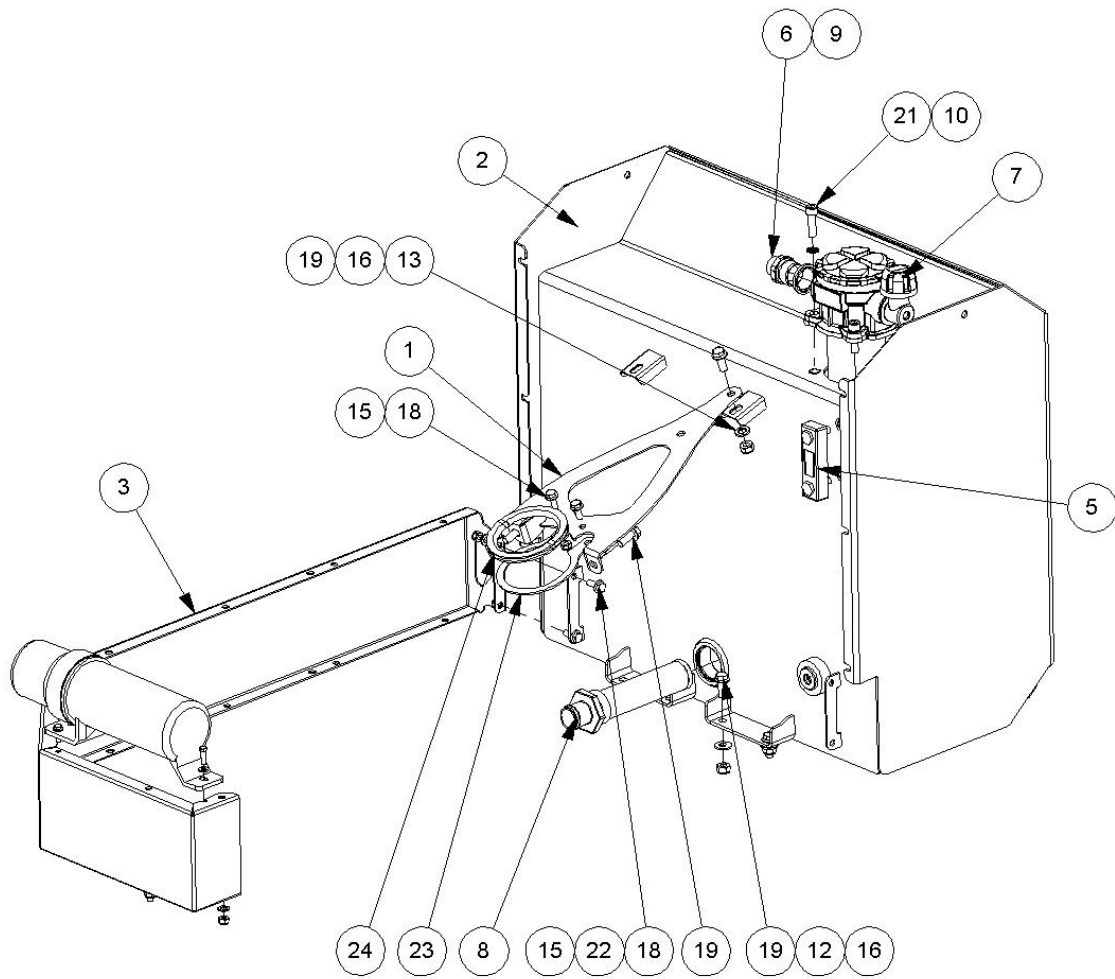
7434738 - ANGLING GEAR MODULE

ITEM 2 SCREW TORQUE : 42 NM



Ref	Part No	Description	QTY
1	21873.01	PLATE	1
2	24038.17	LOCKING DEVICE	1
3	24401.07	PIN 1 IN DIA 177MM EN16T	1
4	24065.01	BUSH	2
5	24065.02	BUSH	2
6	24074.01	BRACKET	1
7	24074.03	JAW	1
9	41206.03	RADIUS ARM TYPE 2	2
10	41207.03	SLAVE LINK	1
11	24401.06	PIN 3/4IN DIA 74 LG EN8	1
12	8582041	PLUG	2
14	9163005	NUT	2
15	9163006	NUT	5
16	94441030	BOLT	1
18	94441235	BOLT	5
19	9501406	PIN	2
20	94441025	BOLT	1

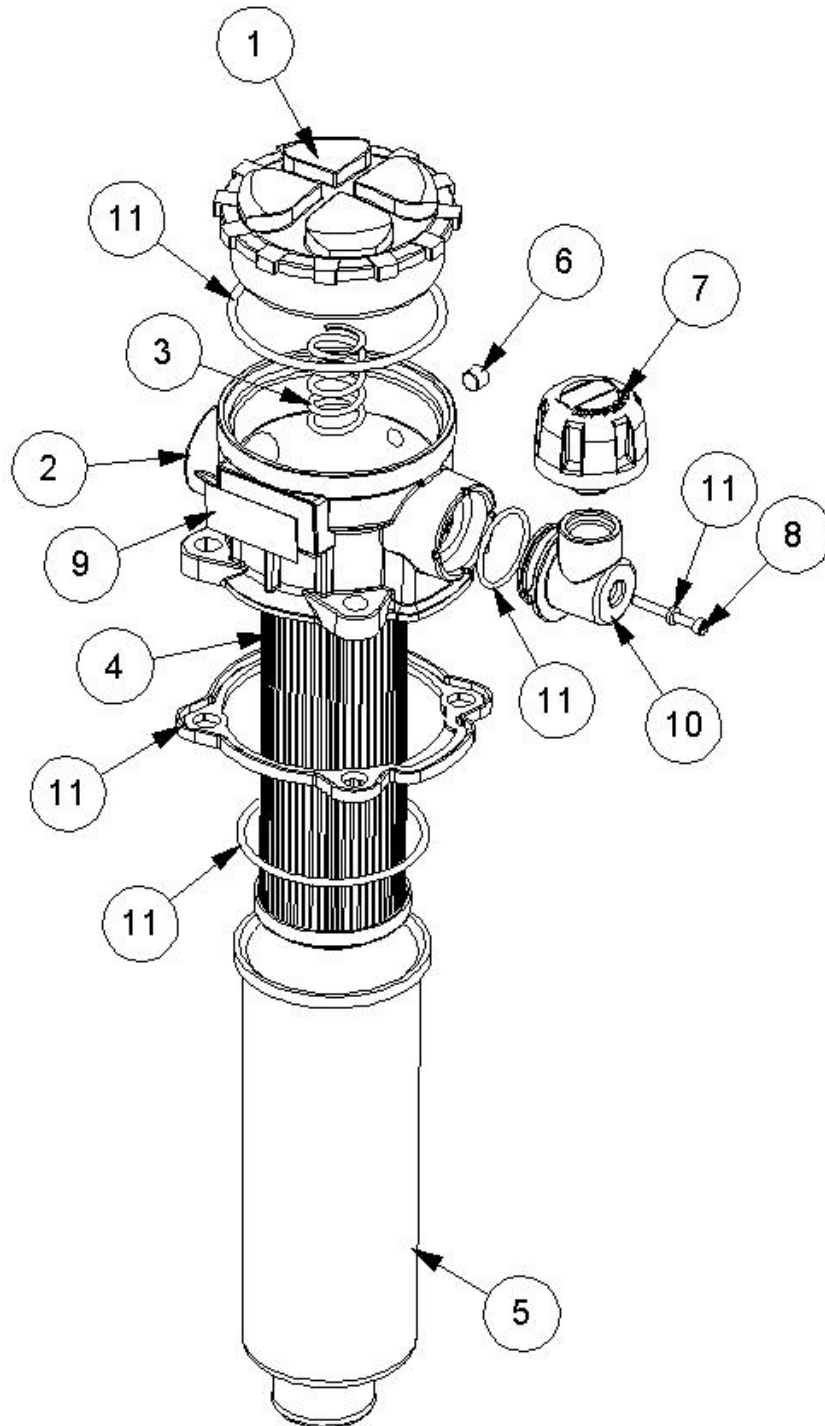
7434739 - TANK MODULE



Ref	Part No	Description	QTY
1	24075.15	LINK PRESSING PLATED	1

Ref	Part No	Description	QTY
2	24092.05	TANK W/A PA4830	1
3	24093.01	BUMPER	1
4	46505.01	HOLDER	1
5	08.921.01	FLUID LEVEL GAUGE	1
6	8002086	ADAPTOR	1
7	8401168	FILTER	1
8	8401169	STRAINER	1
9	8650108	SEAL	1
10	8650310	SEAL	4
11	9100103	WASHER	4
12	9100105	WASHER	5
13	9100605	WASHER	1
14	9163003	NUT	2
15	9163004	NUT	6
16	9163005	NUT	3
17	9313043	SCREW	2
18	94440820	BOLT	6
19	94441025	BOLT	5
21	9343075	SCREW	4
22	T3111	WASHER	8
23	24075.14	HOSE LOOP PLATE	1
24	03.231.38	EDGING STRIP	1

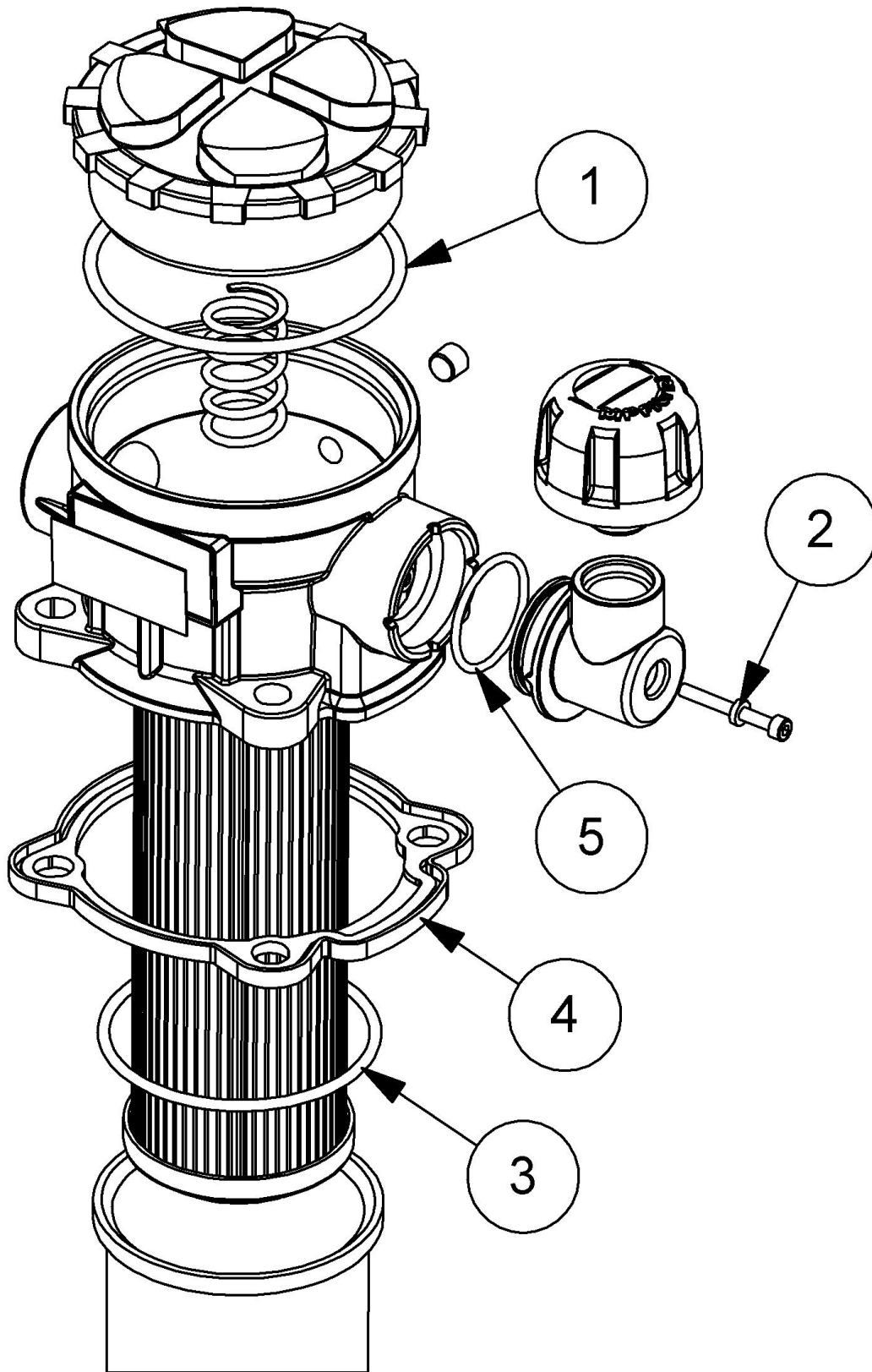
8401168 - FILTER



Ref	Part No	Description	QTY
1	212.013.04	FILLER CAP	1
2	8401187	HOUSING	1
3	8401158	FILTER SPRING	1
4	8401164	USE 8401095	1
5	8401165	FILTER BOWL	1

Ref	Part No	Description	QTY
6	8401166	FILTER GRUB SCREW	1
7	8401182	BREATHER CAP+FILTER	1
8	8401184	CAP SCREW	1
9	8401167	IDENTIFICATION PLATE	1
10	8401183	ELBOW	1
11	8699294	FILTER SEAL KIT	0

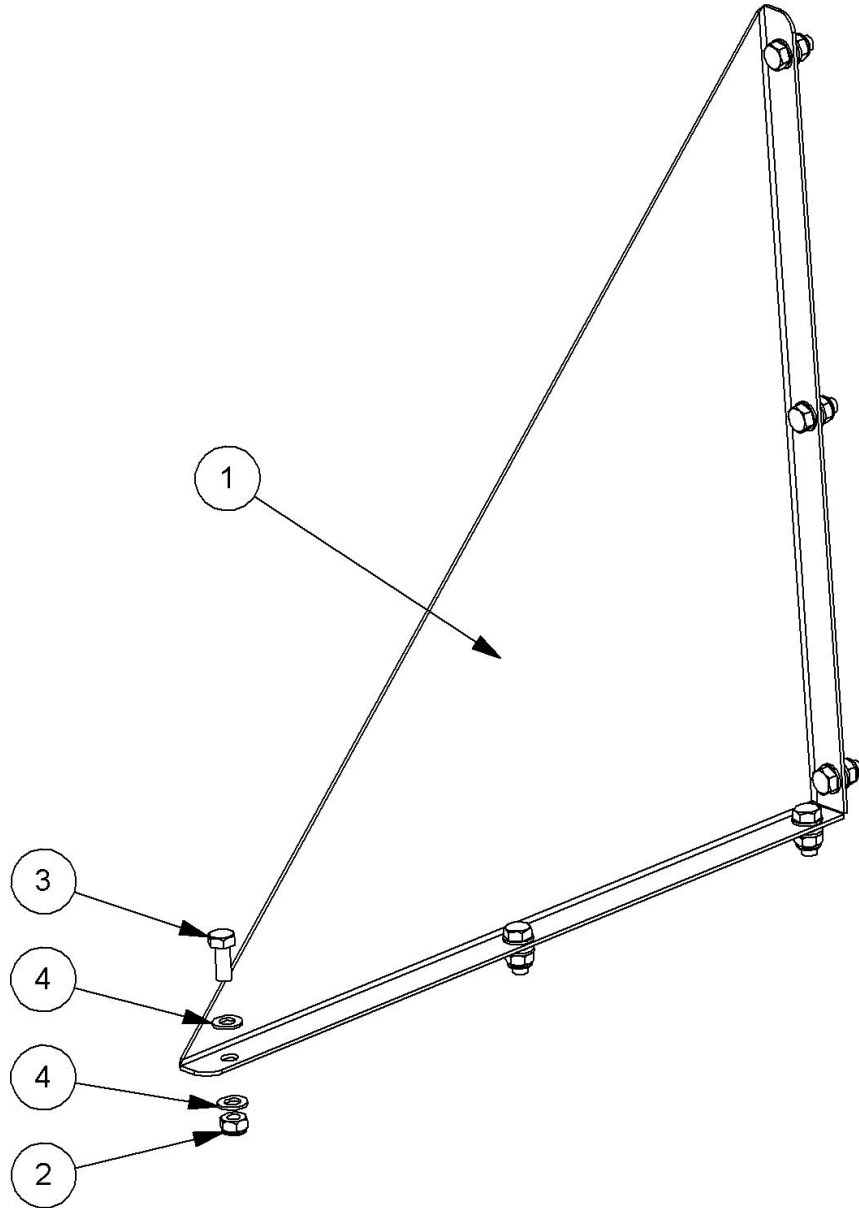
8699294 - FILTER SEAL KIT



Ref	Part No	Description	QTY
1	8700092	O RING	1
2	8401186	CAP SCREW SEAL	1
3	8700235	O RING	1
4	8401188	SEAL NOT AVAILABLE USE 8699294	1

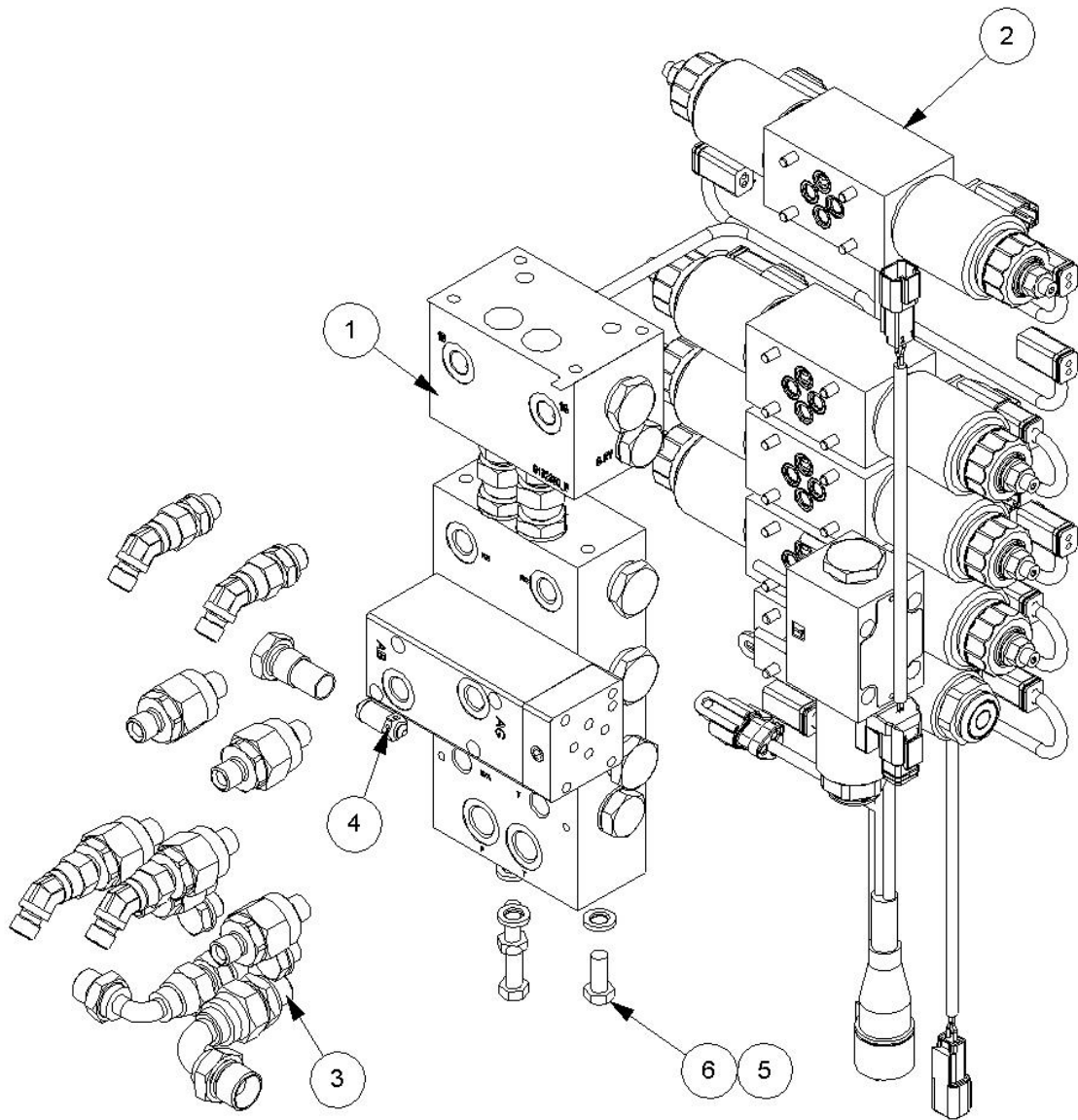
Ref	Part No	Description	QTY
5	8401185	ORING SEAL	1

7434741 - COVER MODULE



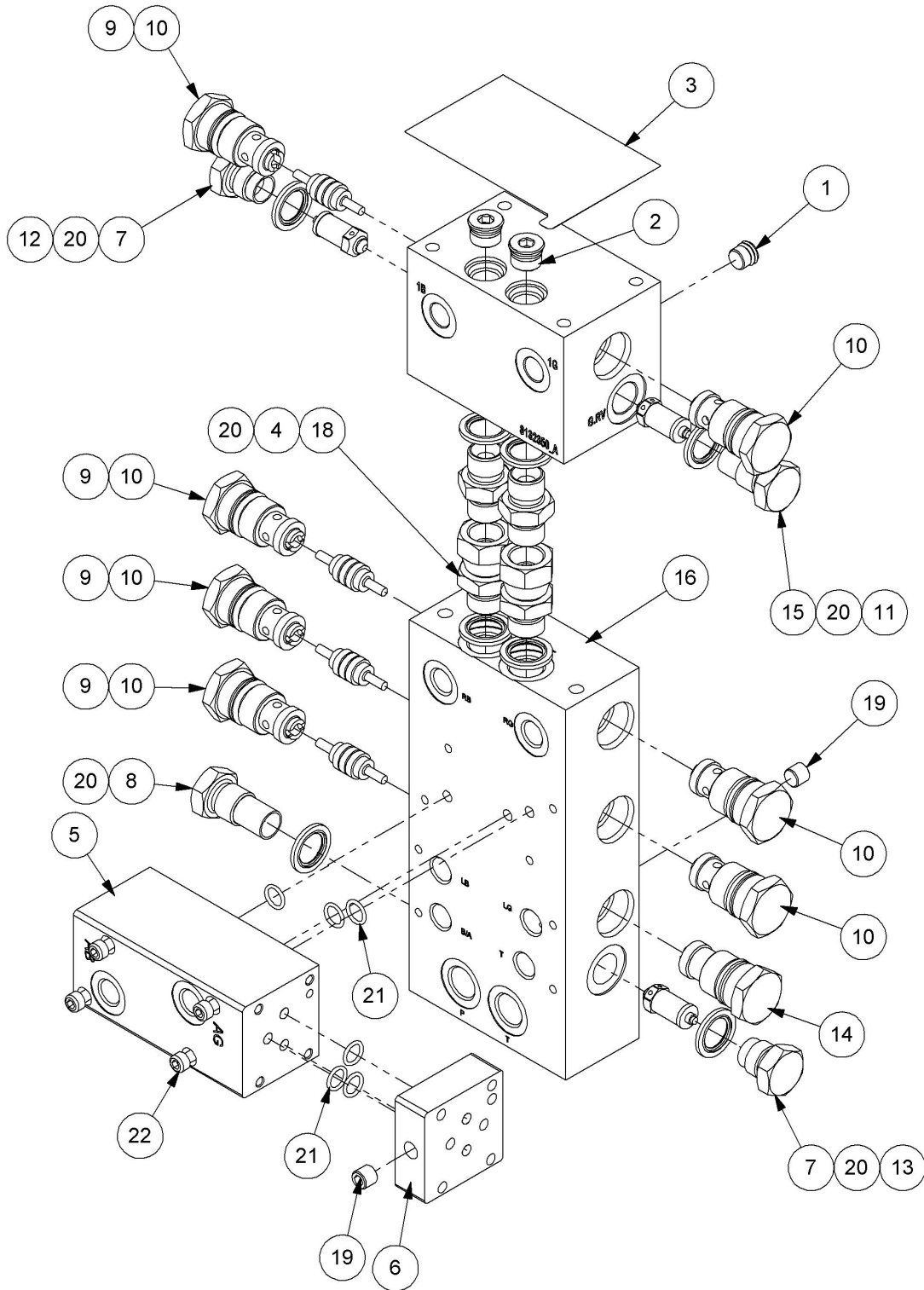
Ref	Part No	Description	QTY
1	24093.02	COVER	1
2	9163004	NUT	6
3	9313044	SCREW	6
4	T3111	WASHER	12

7434743 - PROP ACV ASSY CW AF



Ref	Part No	Description	QTY
1	22523.76	MANIFOLD ASSY	1
2	22526.11	CONTROL SOLENOID ASSY	1
3	23180.44	ADAPTORS 4 BANK	1
4	8130030	VALVE	1
5	9100604	WASHER	3
6	9313044	SCREW	3

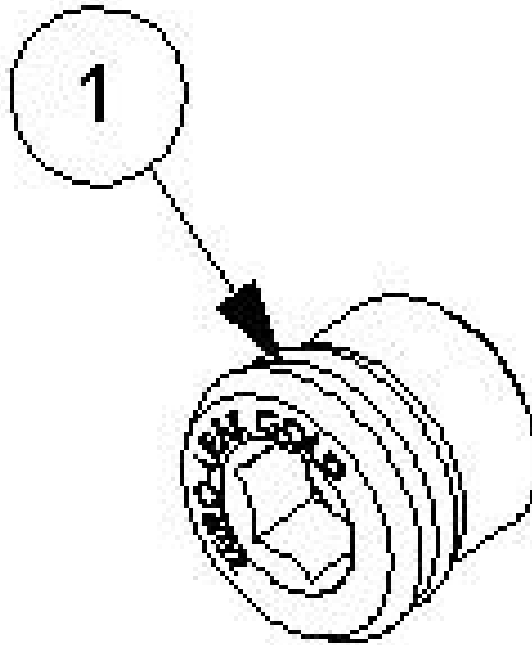
22523.76 - MANIFOLD ASSY



Ref	Part No	Description	QTY
1	23242.03	PLUG	1
2	23242.05	PLUG	2
3	1291046	DECAL	1
4	6000113	ADAPTOR	2
5	8126333	BLOCK	1
6	8126334	PLATE	1

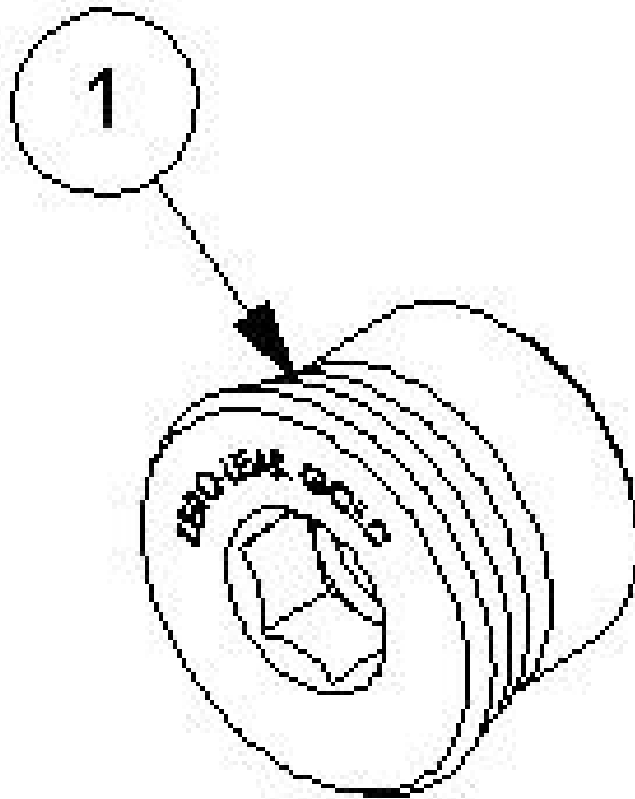
Ref	Part No	Description	QTY
7	8130031	CAP	2
8	8130032	CAP	1
9	8130087	ACTUATOR	4
10	8130090	VALVE	7
11	8130092	VALVE	1
12	8130124	CARTRIDGE	1
13	8130164	VALVE	1
14	8130354	VALVE	1
15	8130710	CAP	1
16	8132309	MANIFOLD 3 BANK	1
17	8132350	MANIFOLD BLOCK	1
18	8581178	ADAPTOR	2
19	8582041	PLUG	2
20	8650103	SEAL	8
21	8700511	"O" RING	6
22	9243082	SCREW	4

23242.03 - PLUG



Ref	Part No	Description	QTY
1	8700007	O RING	1

23242.05 - PLUG

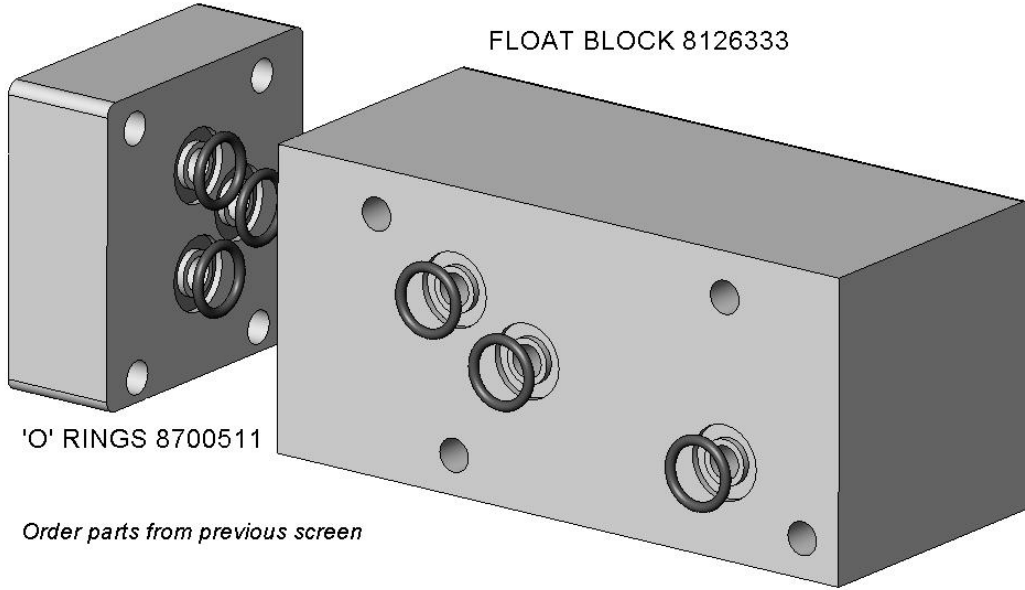


Ref	Part No	Description	QTY
1	8700011	I RING	1

8126333 - BLOCK

BRIDGING PLATE 8126334

FLOAT BLOCK 8126333



'O' RINGS 8700511

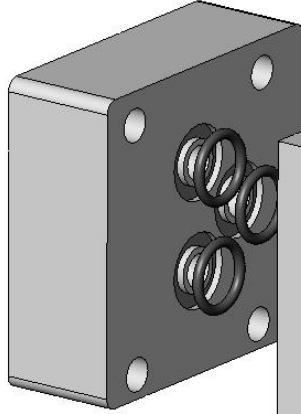
Order parts from previous screen

IDENTIFICATION & LOCATION OF 'O' RINGS

Ref	Part No	Description	QTY
1	0036	BRIGHT SQUARE	116

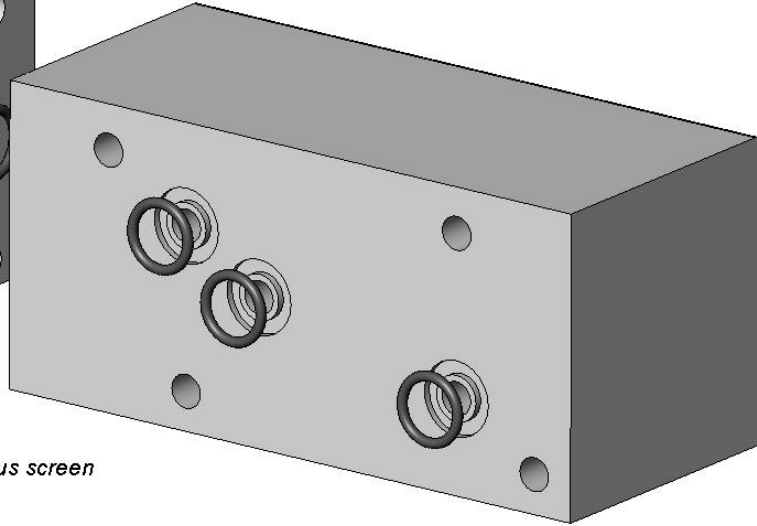
8126334 - PLATE

BRIDGING PLATE 8126334



'O' RINGS 8700511

FLOAT BLOCK 8126333

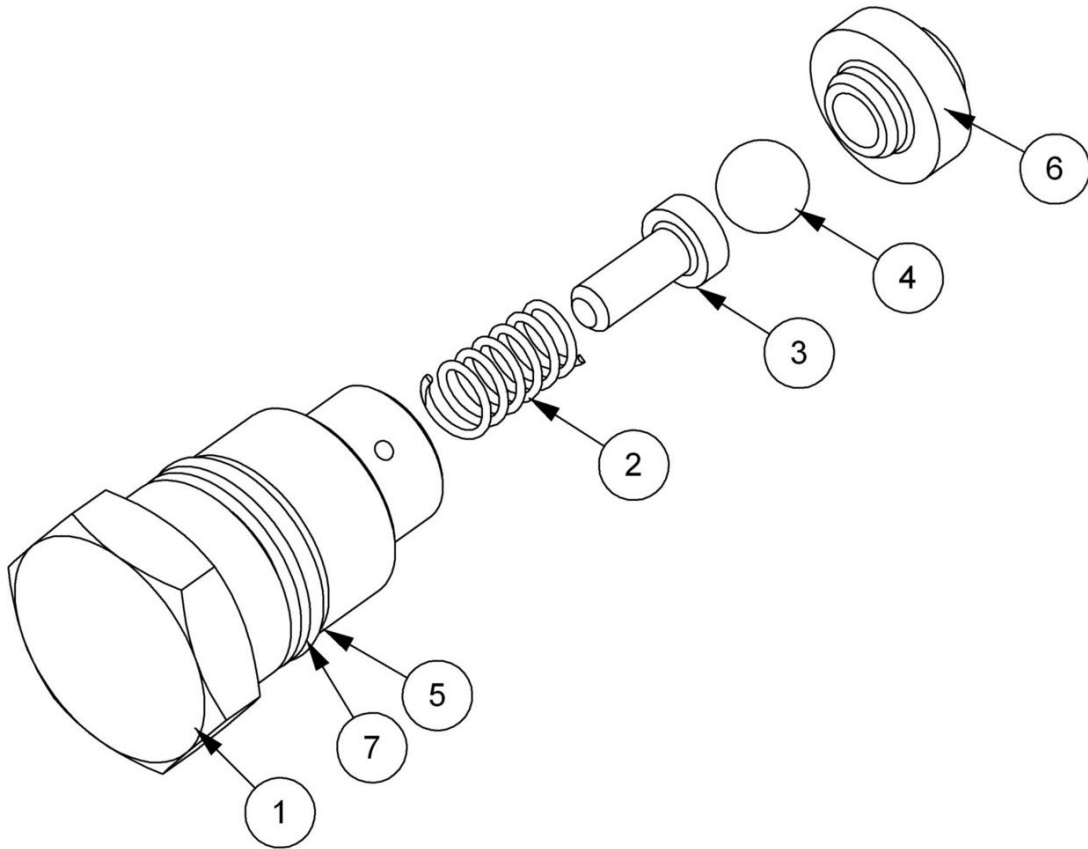


Order parts from previous screen

IDENTIFICATION & LOCATION OF 'O' RINGS

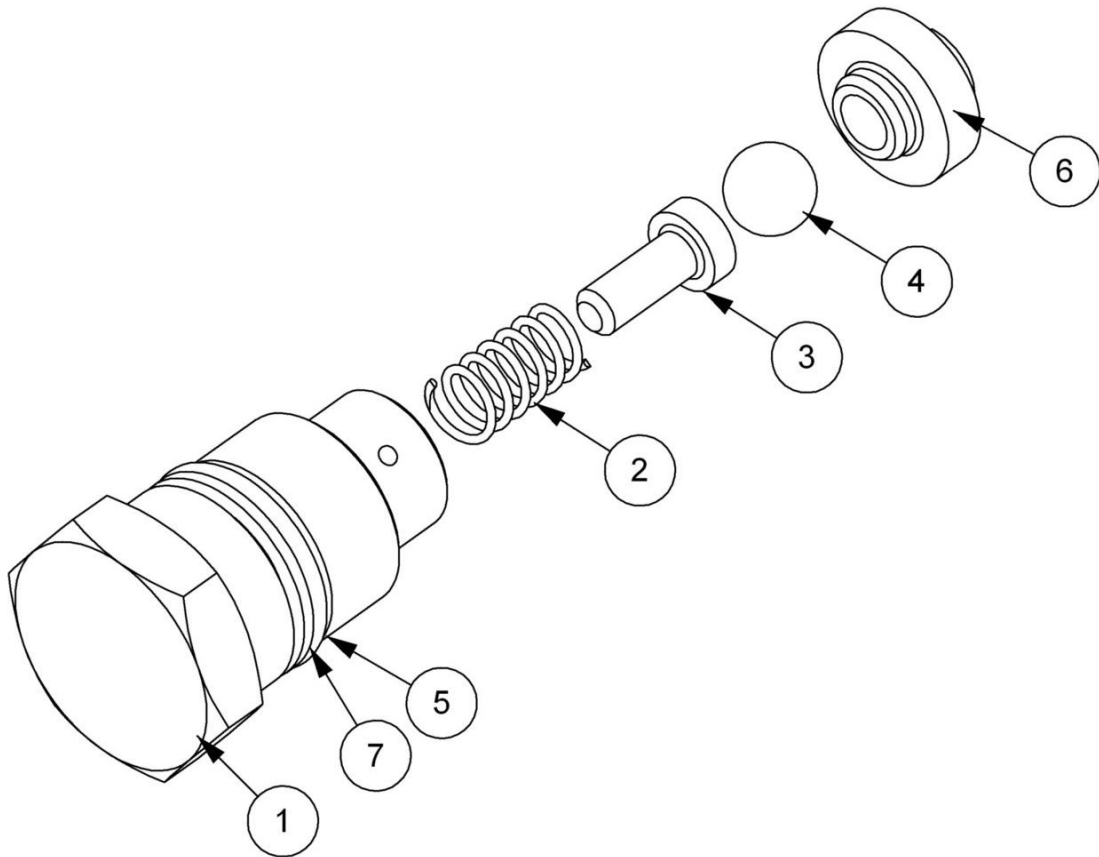
Ref	Part No	Description	QTY
1	0036	BRIGHT SQUARE	26

8130090 - VALVE



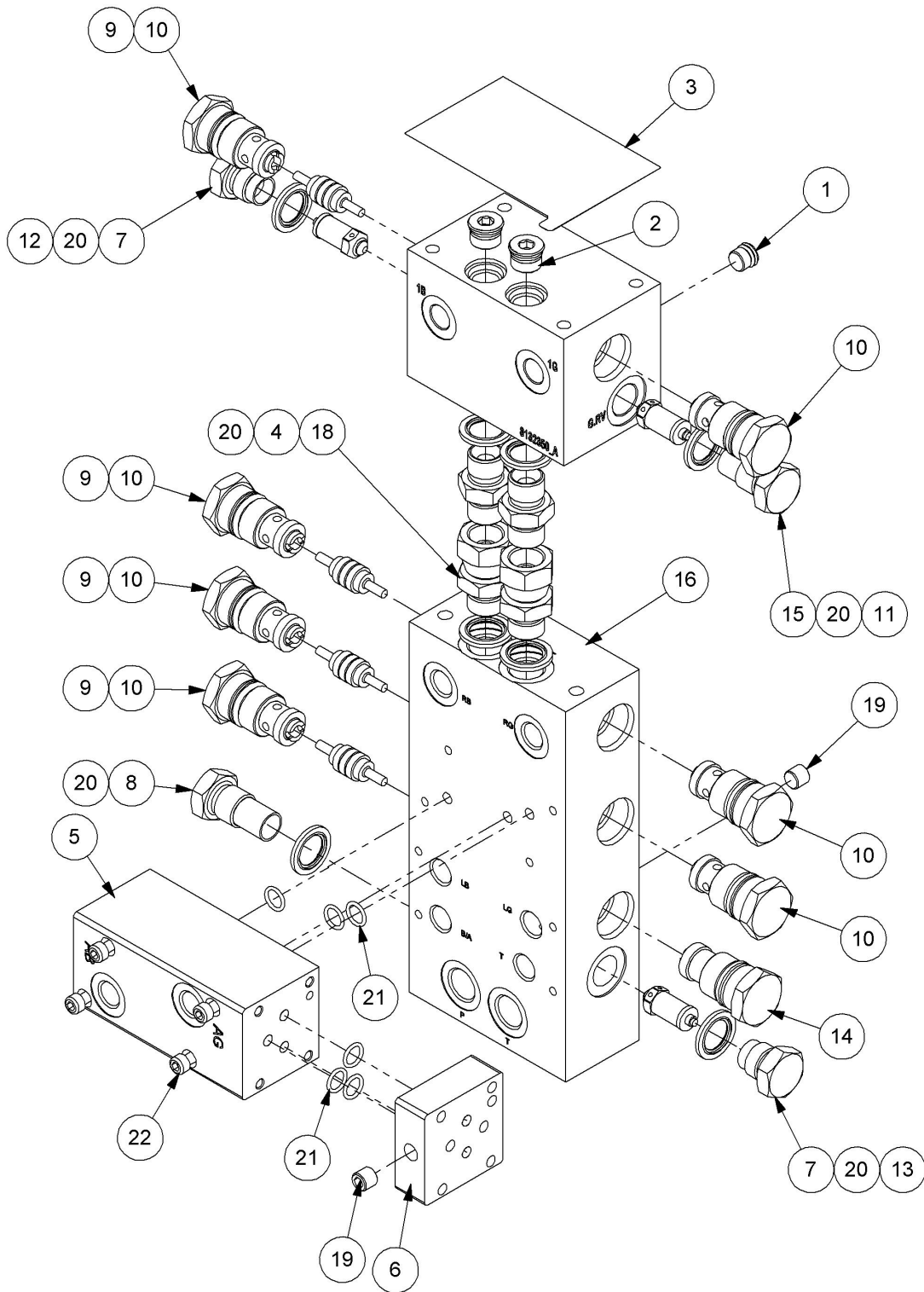
Ref	Part No	Description	QTY
1	8130025	CAP	1
2	8114045	SPRING	1
3	8130089	GUIDE	1
4	0905509	BALL	1
5	8700644	"O" RING	1
6	8130088	SEAT	1
7	8709644	ANTI.EXT.RING	1

8130354 - VALVE



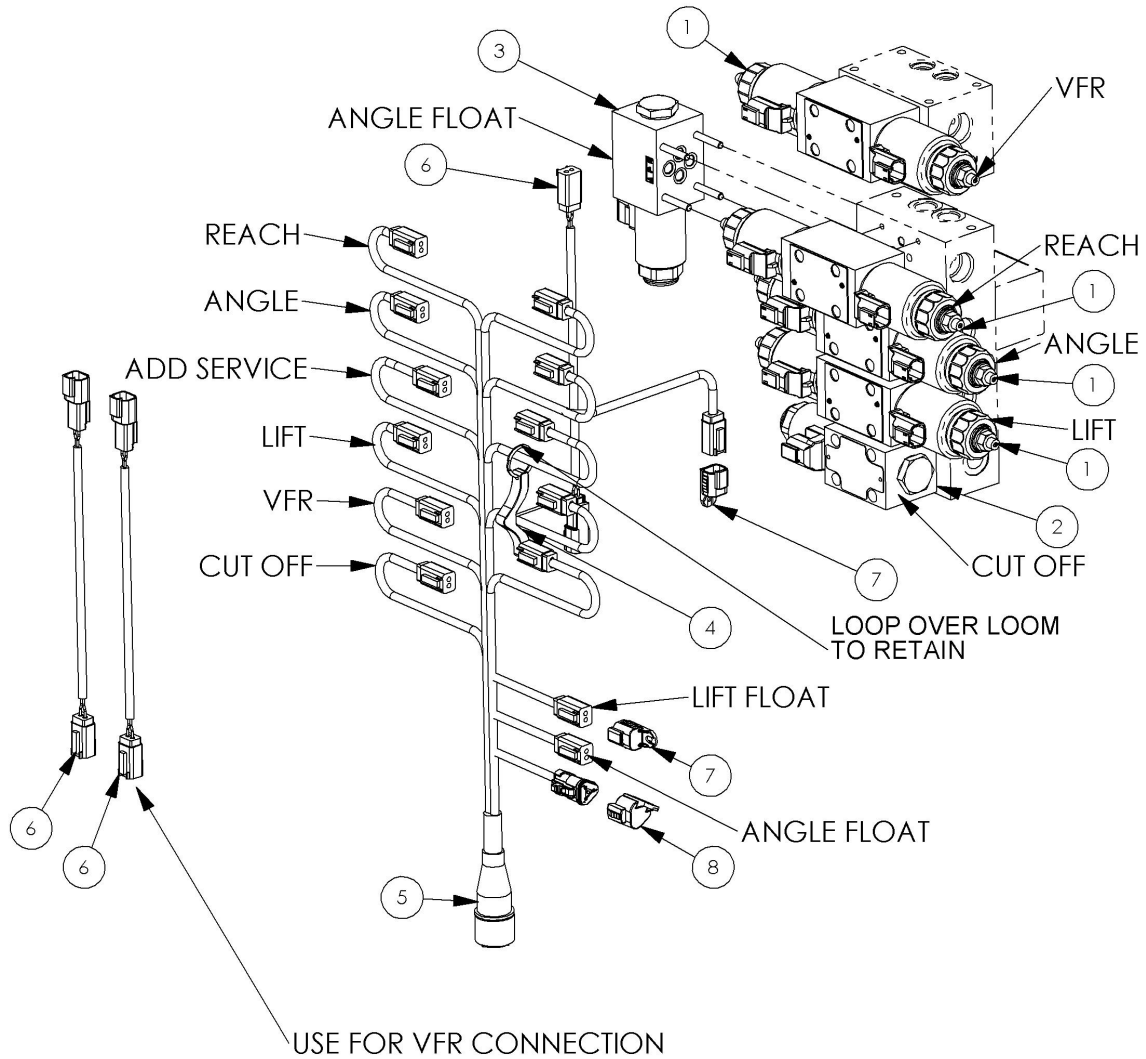
Ref	Part No	Description	QTY
1	8130209	CAP	1
2	8114045	SPRING	1
3	8130089	GUIDE	1
4	0905509	BALL	1
5	8700644	"O" RING	1
6	8130088	SEAT	1
7	8709644	ANTI.EXT.RING	1

8132309 - MANIFOLD 3 BANK



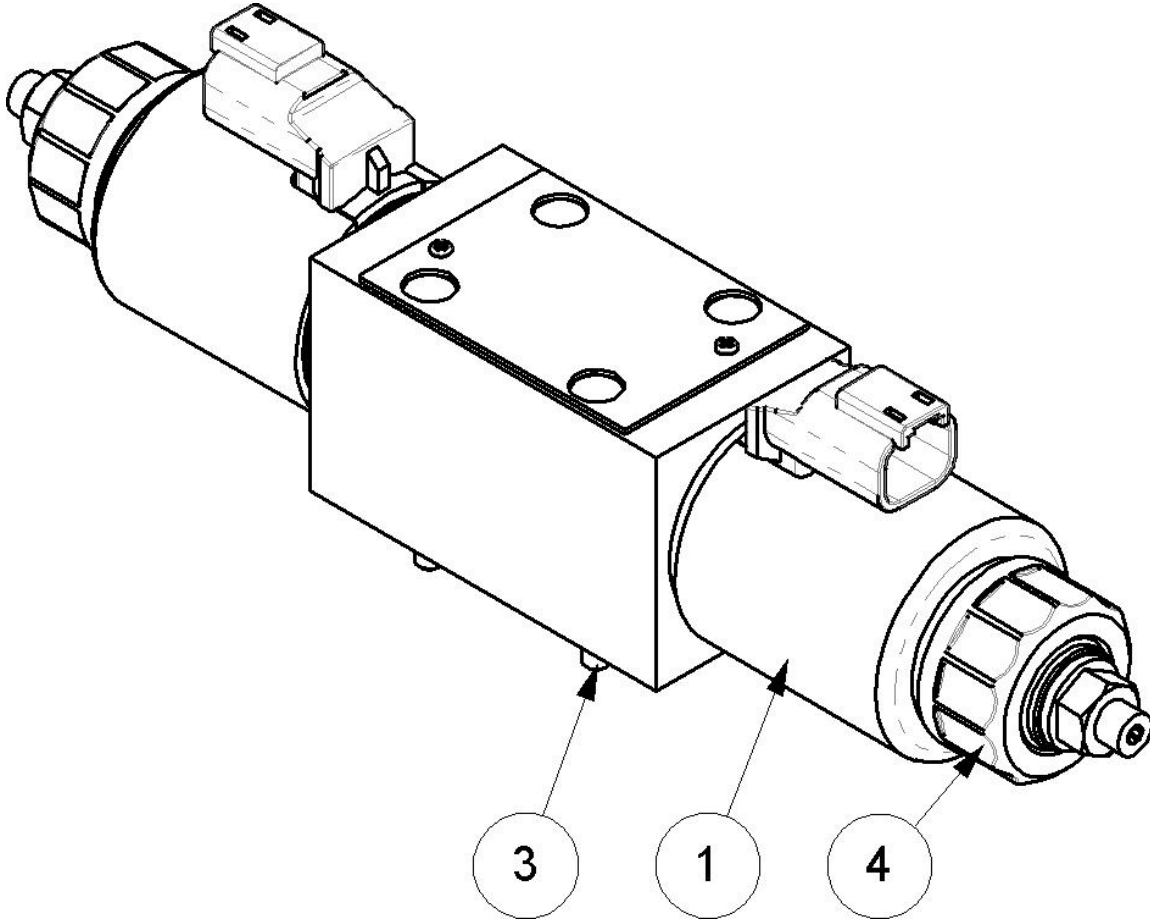
Ref	Part No	Description	QTY
1	8130303S	BLOCK	1

22526.11 - CONTROL SOLENOID ASSY



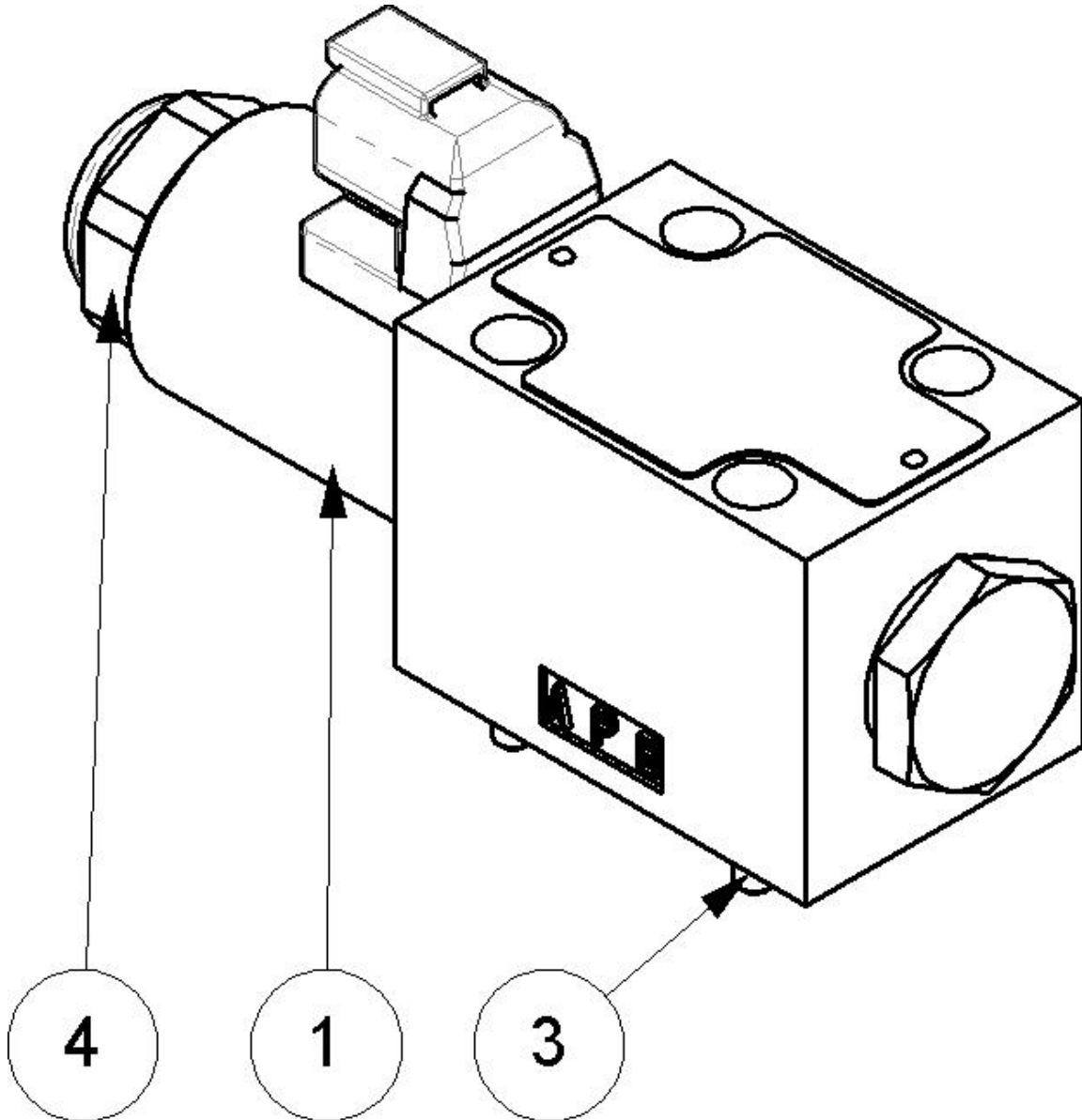
Ref	Part No	Description	QTY
1	23550.11	PROP DCV	4
2	23550.13	VALVE	1
3	23550.15	DCV	1
4	23550.18	TOOL - MANUAL SOL. OPERATION	1
5	41844.26	LOOM 19 CORE-19 WAY	1
6	41844.34	LOOM ANGLE FLOAT DT CONNECTOR	3
7	45594.41	SEALING CAP	2
8	45594.42	SEALING CAP	1

23550.11 - PROP DCV



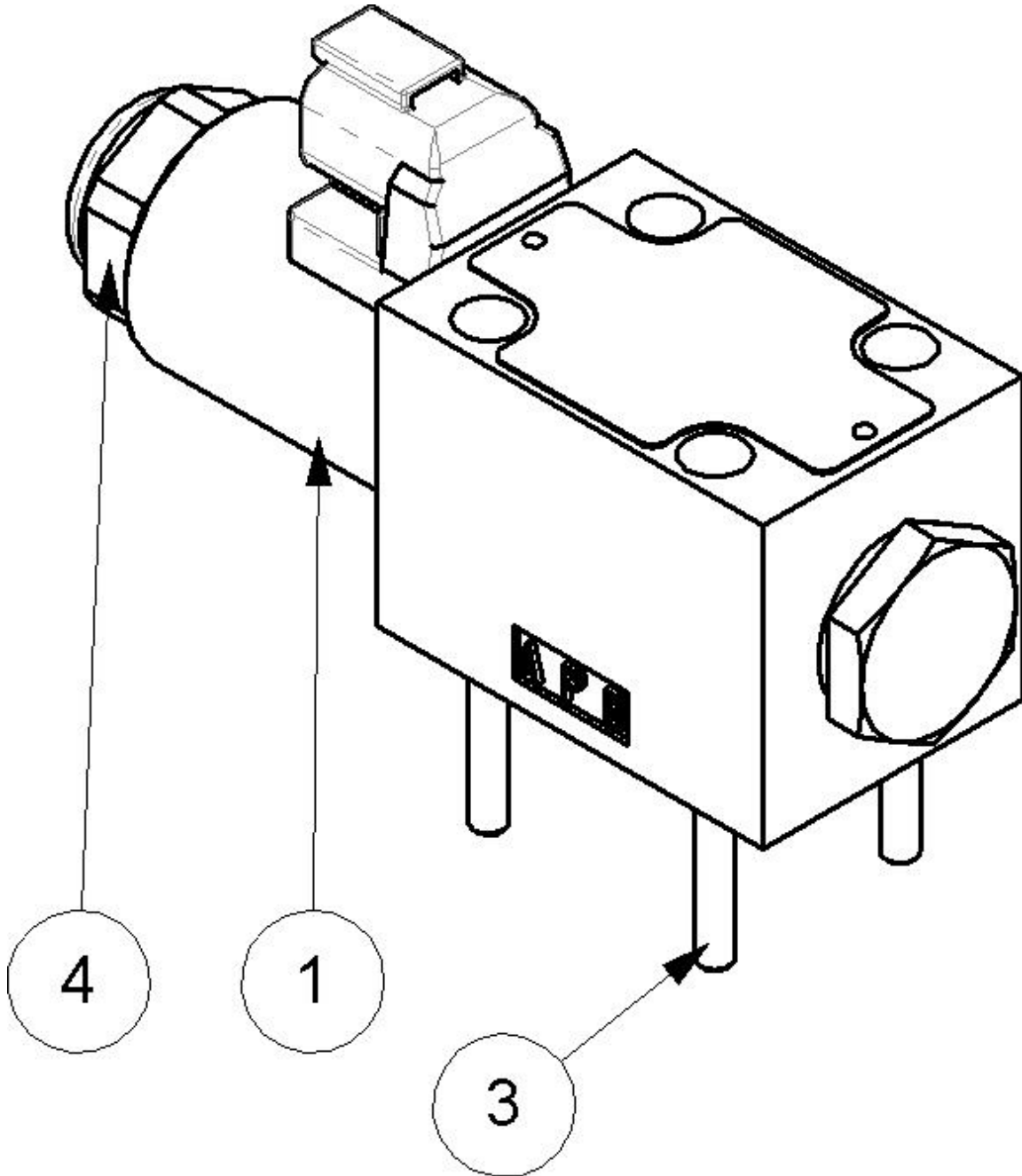
Ref	Part No	Description	QTY
1	23550.37	PROP COIL	2
2	23550.32	SEAL KIT	1
3	9200076	CAP SCREW	4
4	23550.35	COIL NUT	2

23550.13 - VALVE



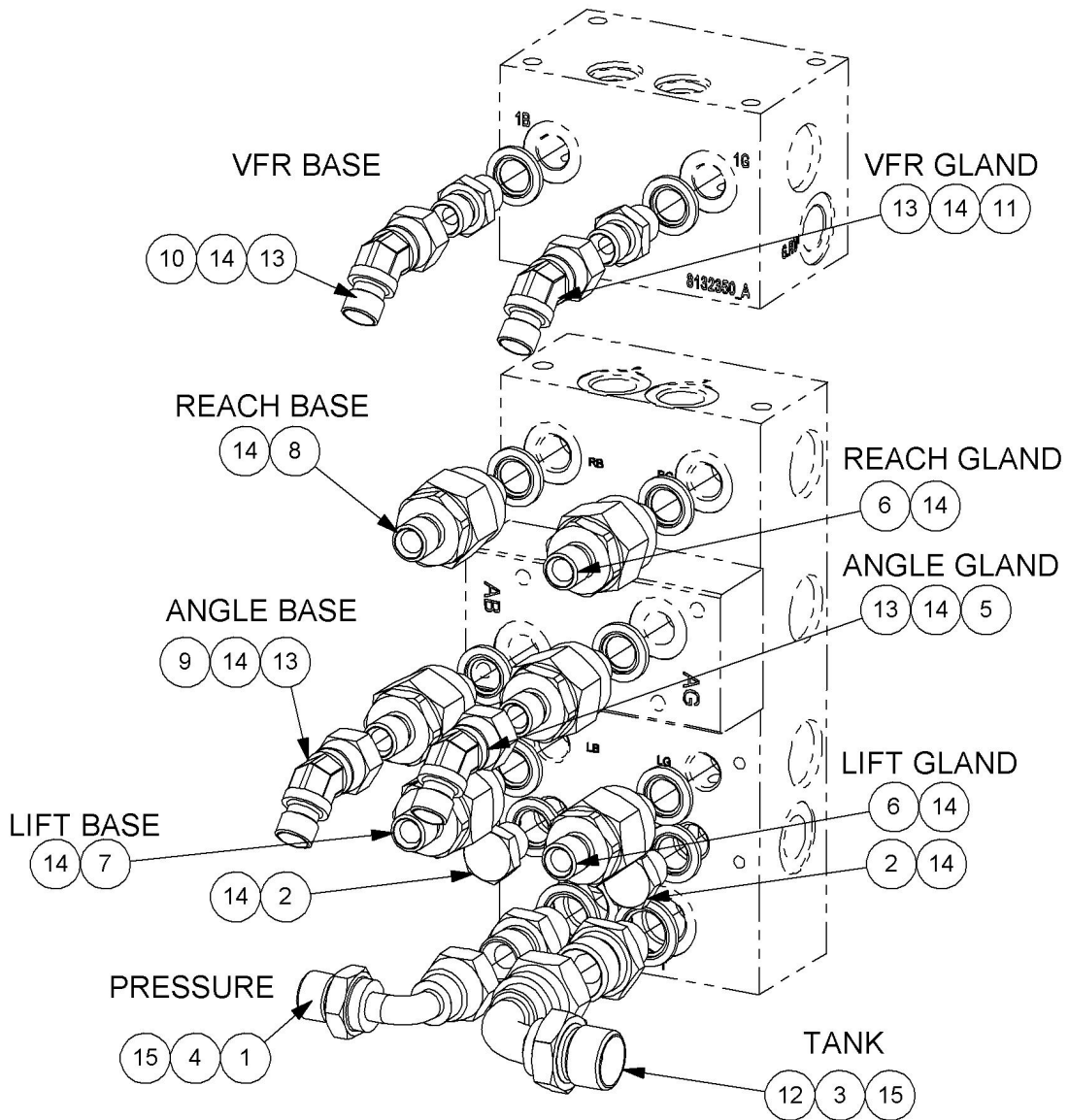
Ref	Part No	Description	QTY
1	23550.38	COIL	1
2	23550.34	SEAL KIT	1
3	9200077	CAP SCREW	4
4	23550.36	COIL NUT	1

23550.15 - DCV



Ref	Part No	Description	QTY
1	23550.38	COIL	1
2	23550.34	SEAL KIT	1
3	9200078	CAP SCREW	4
4	23550.36	COIL NUT	1

23180.44 - ADAPTORS 4 BANK

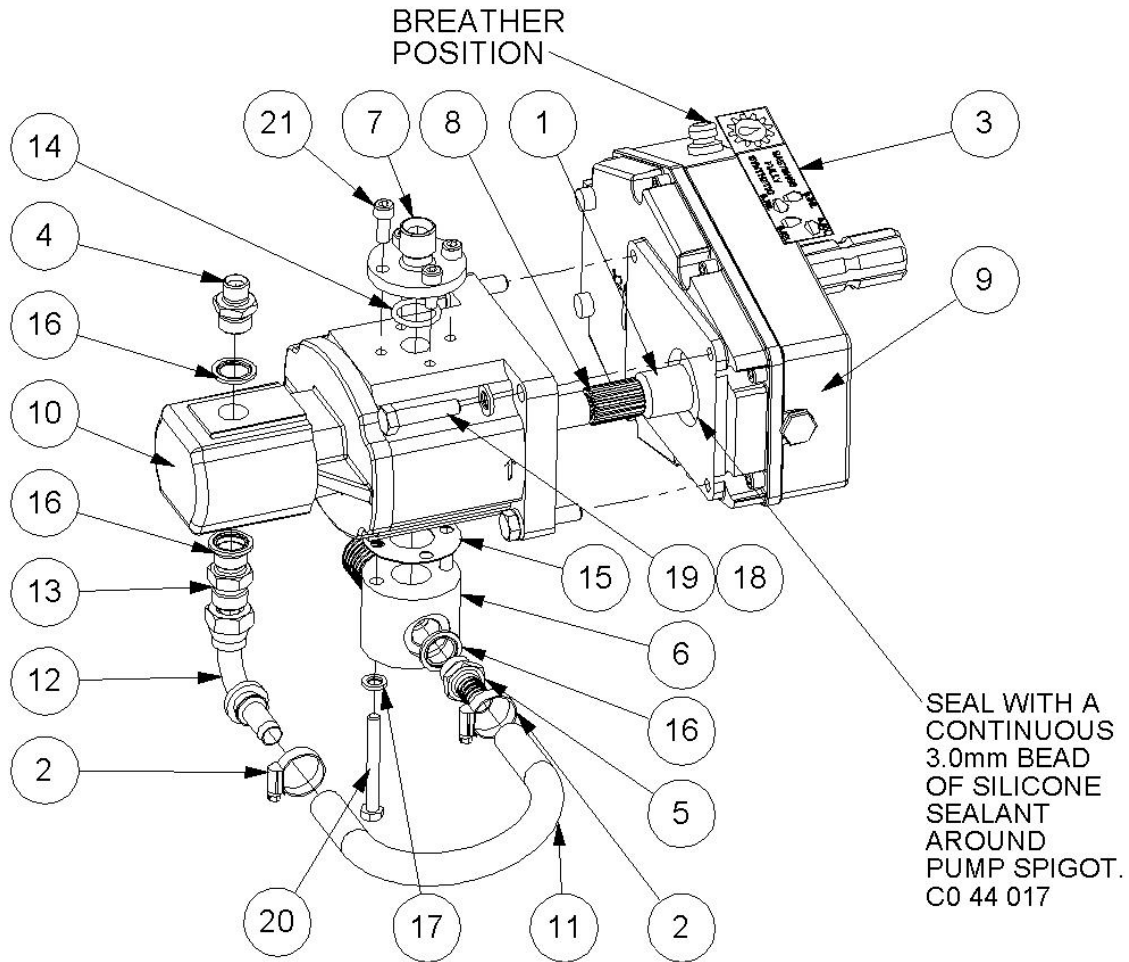


Ref	Part No	Description	QTY
1	30.204.24	ELBOW FITTING	1
2	520378	ADAPTOR	2
3	6000112	ADAPTOR	1
4	6000113	ADAPTOR	1
5	8123085	RESTRICTOR	1
6	8123086	RESTRICTOR	2
7	8123087	RESTRICTOR	1
8	8123088	RESTRICTOR	1
9	8123089	UNION	1
10	8130038	RESTRICTOR	1
11	8130103	RESTRICTOR	1
12	8581215	ADAPTOR	1

Ref	Part No	Description	QTY
13	8581347	ADAPTOR	4
14	8650102	SEAL	10
15	8650103	SEAL	2

7434744 - PUMP AND GEARBOX

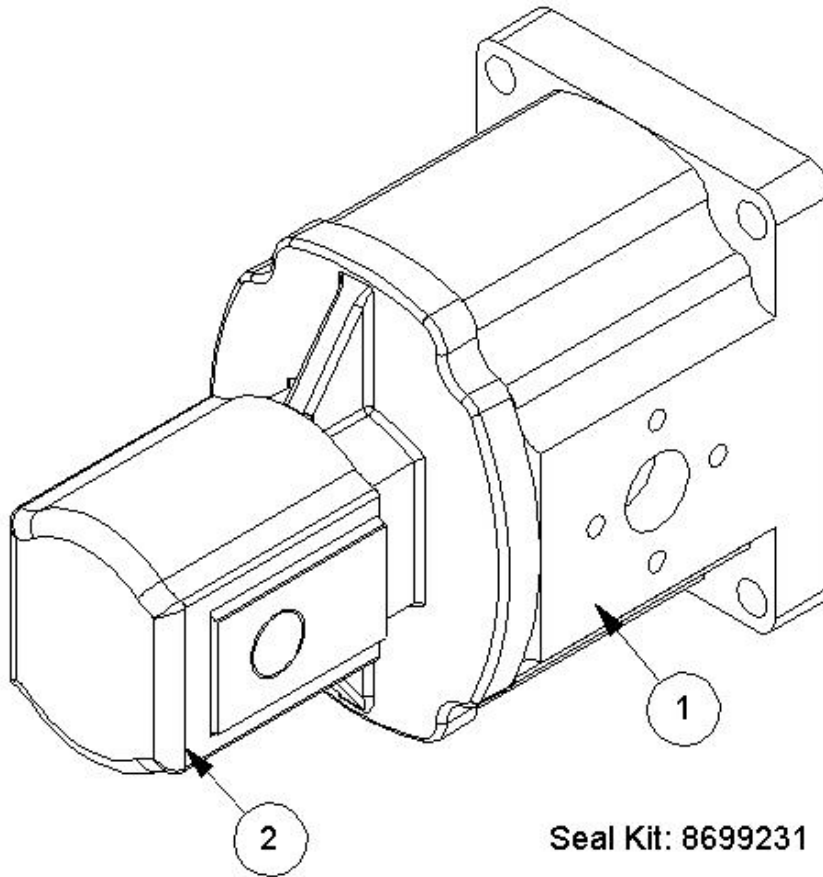
540 CW



Ref	Part No	Description	QTY
1	42415.02	SPACER	1
2	0904204	CLIP	2
3	1290030	DECAL	1
4	6000112	ADAPTOR	1
5	8002059	CONNECTION	1
6	8013082	CONNECTION	1
7	8013083	CONNECTION	1
8	8013097	ADAPTOR	1
9	8013624	GEARBOX 1:2.6	1
10	8201466	PUMP	1
11	8501010	5/8" RUBBER HOSE 250LG	1
12	8581173	ELBOW	1
13	8581180	ADAPTOR	1
14	8600119	"O" RING	1
15	8013023	GASKET	1

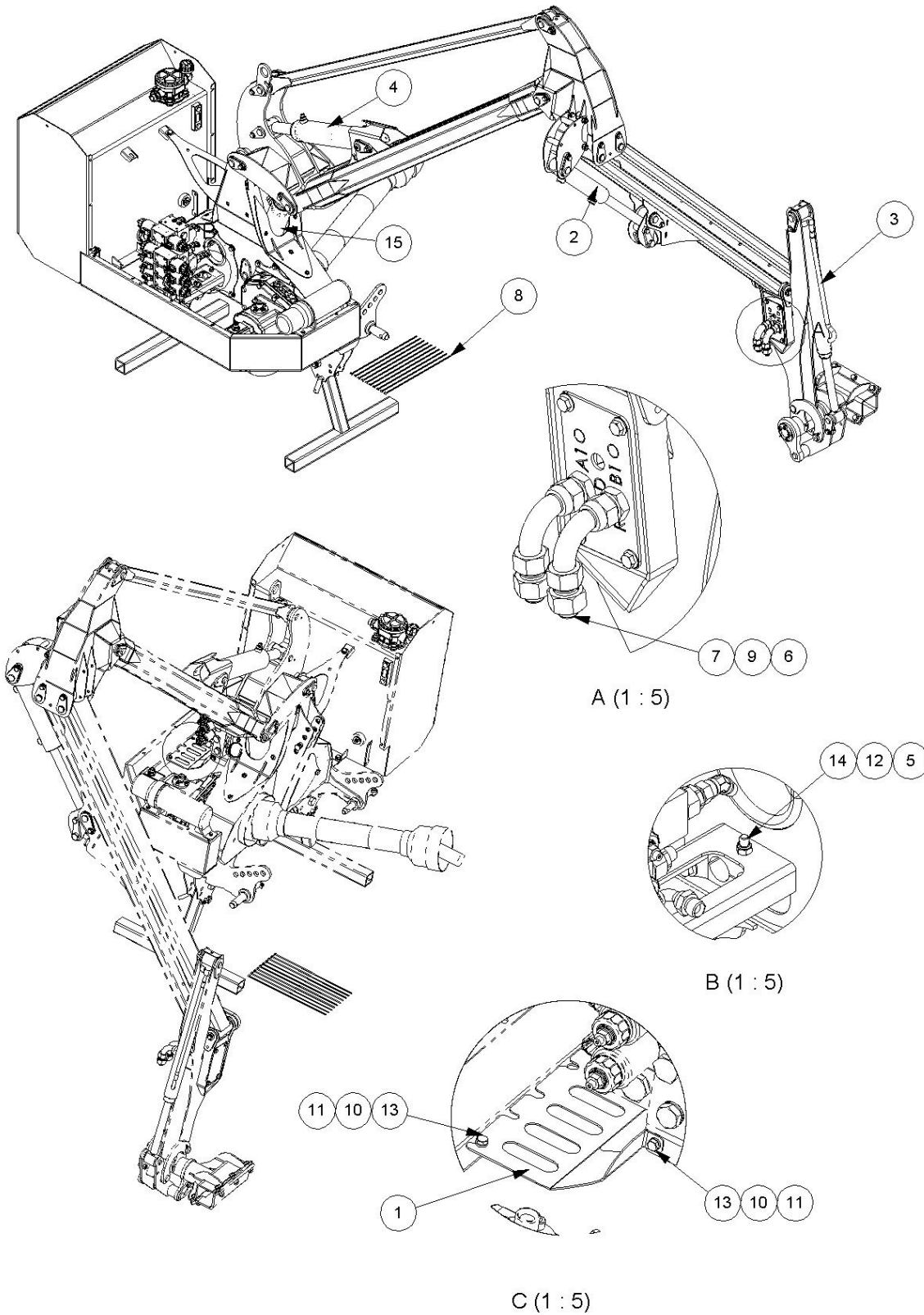
Ref	Part No	Description	QTY
16	8650104	SEAL	3
17	9100604	WASHER	2
18	9100605	WASHER	4
19	9213095	BOLT	4
20	9213144	BOLT	2
21	9300147	SCREW	4

8201466 - PUMP



Ref	Part No	Description	QTY
1	8201684	HYD PUMP F-HALF	1
2	8201677	PUMP REAR - 8201466	1
3	8699231	SEAL KIT	0

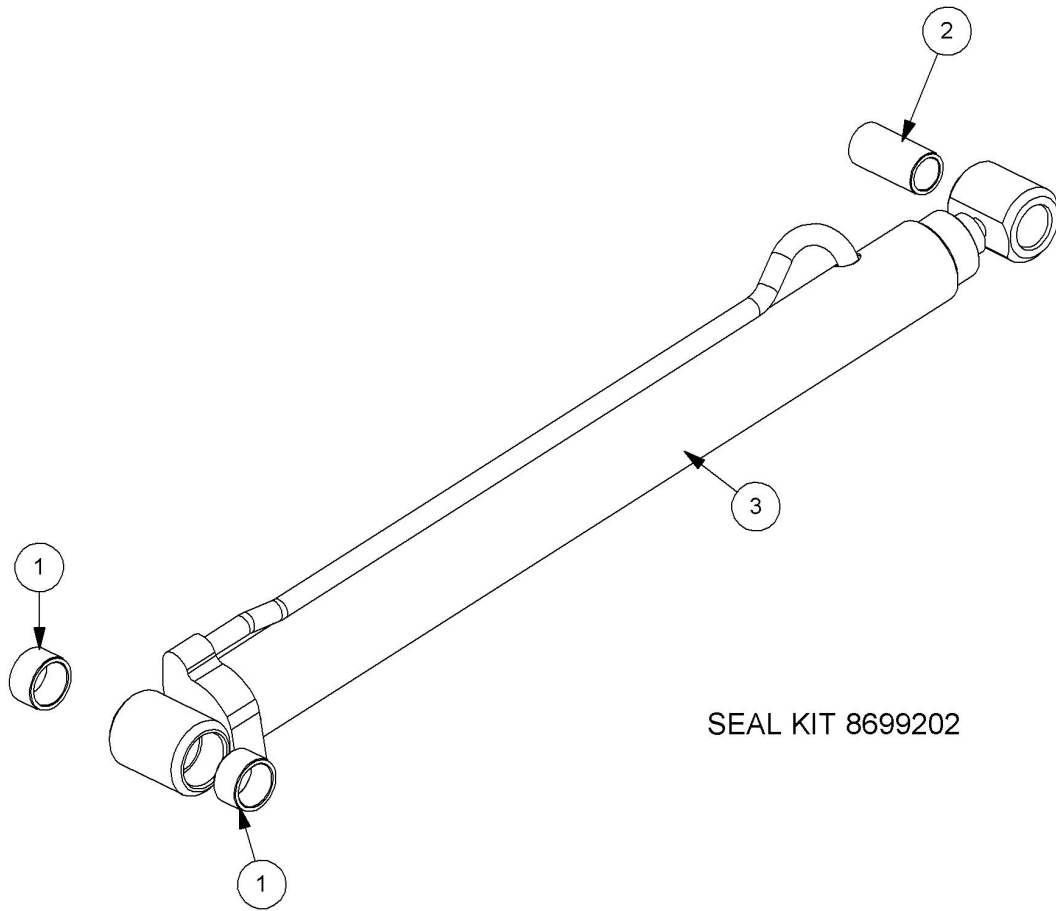
7434745 - HYD INST PA 4830 VFR



Ref	Part No	Description	QTY
1	24075.08	HOSE TRAY	1
2	24078.01	VFR RAM	1
3	24101.01	ANGLE RAM	1
4	41014.22	RAM ASSY	1
5	06.430.09	CLAMP PAIR	1

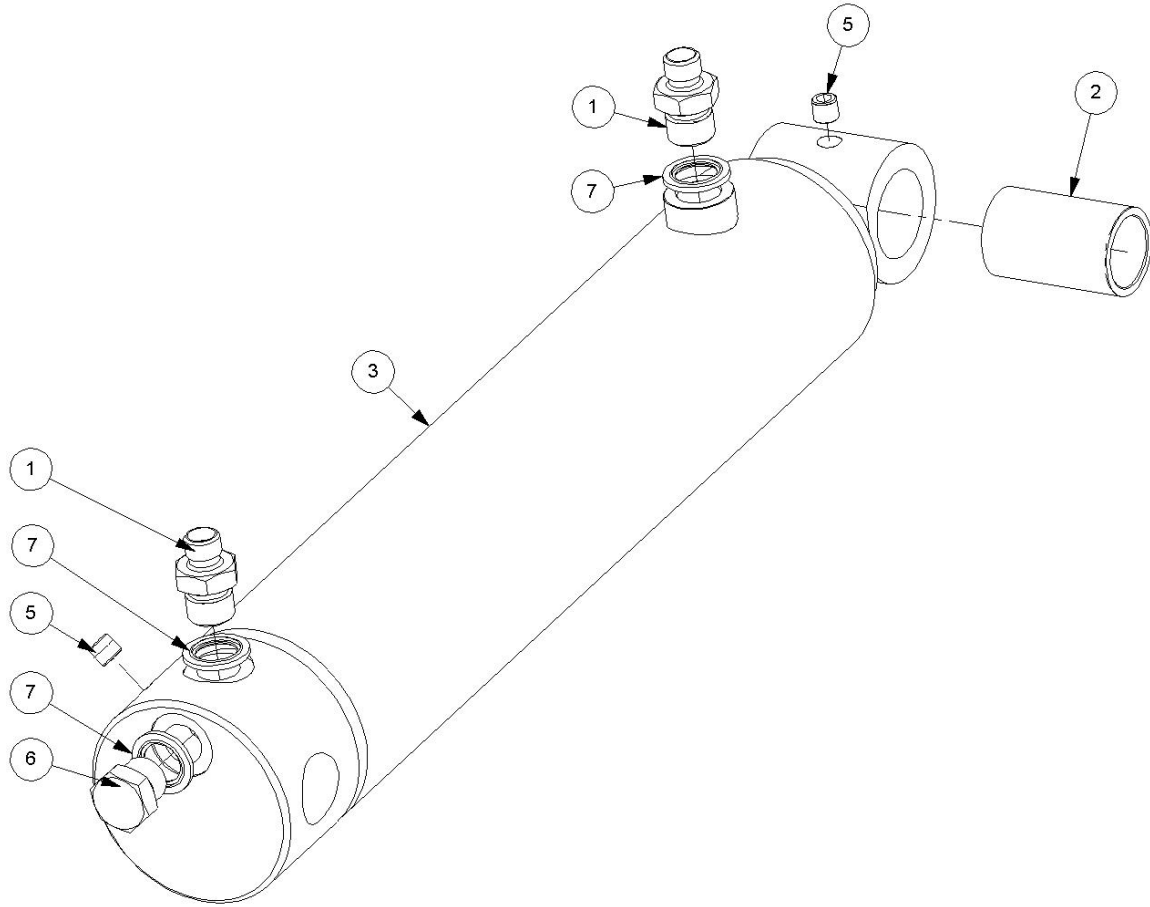
Ref	Part No	Description	QTY
6	08.128.16	ADAPTOR	2
7	3812119	ADAPTOR	2
8	7196045	HOSE TIE	10
9	8581565	ADAPTOR	2
10	9100603	WASHER	4
11	9163003	NUT	4
12	9163004	NUT	1
13	9313033	SCREW	4
14	9343104	SCREW	1
15	41014.26	RAM ASSY	1

24101.01 - ANGLE RAM



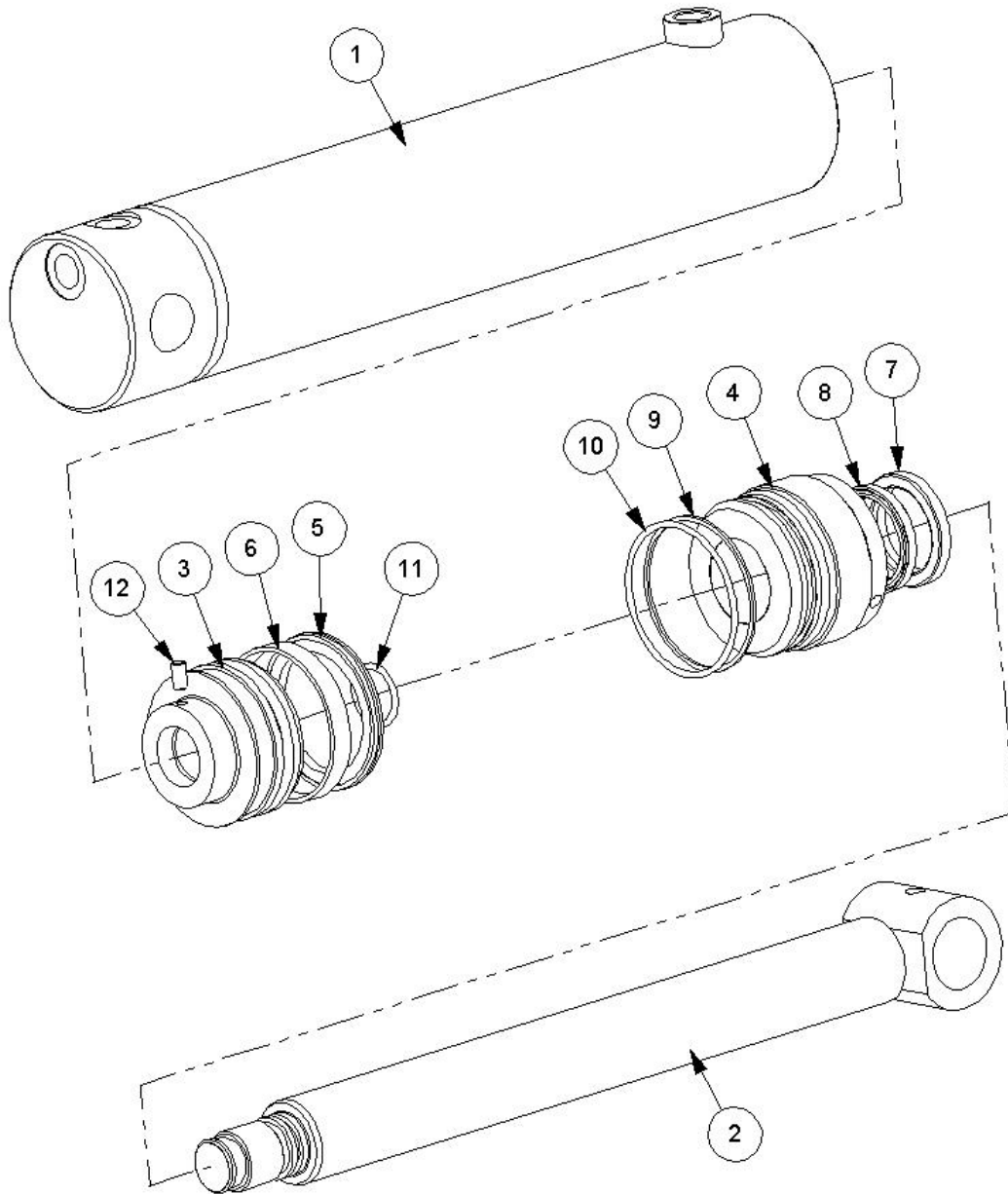
Ref	Part No	Description	QTY
1	24065.01	BUSH	2
2	24065.06	BUSH	1
3	24101.01AP	ANGLING RAM	1

41014.22 - RAM ASSY



Ref	Part No	Description	QTY
1	01.099.01	ADAPTOR	2
2	24065.05	BUSH	1
3	41014.12AP	LIFT/REACH RAM	1
5	8582041	PLUG	2
6	8003001	PLUG	1
7	8650103	SEAL	3

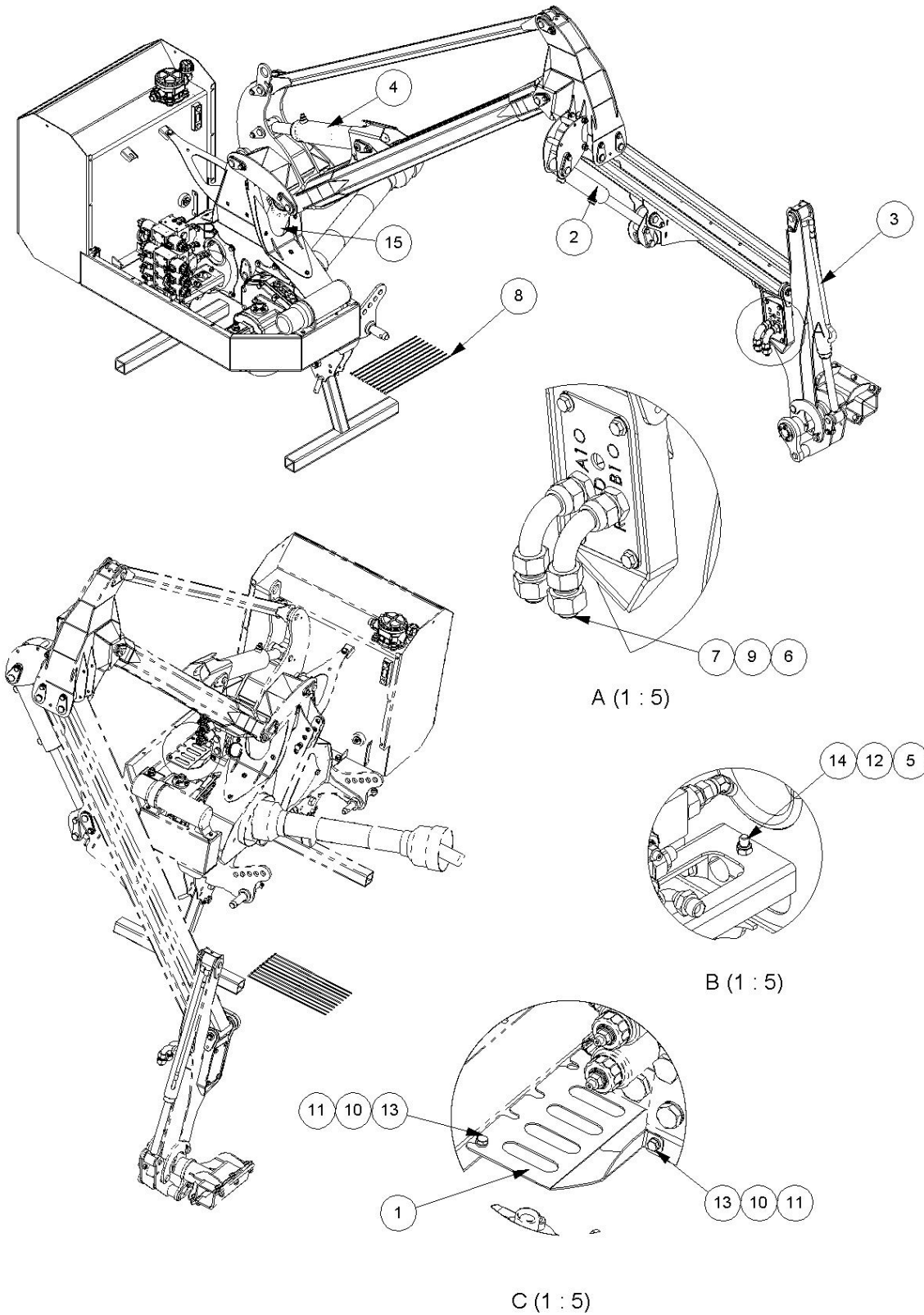
41014.12AP - LIFT/REACH RAM



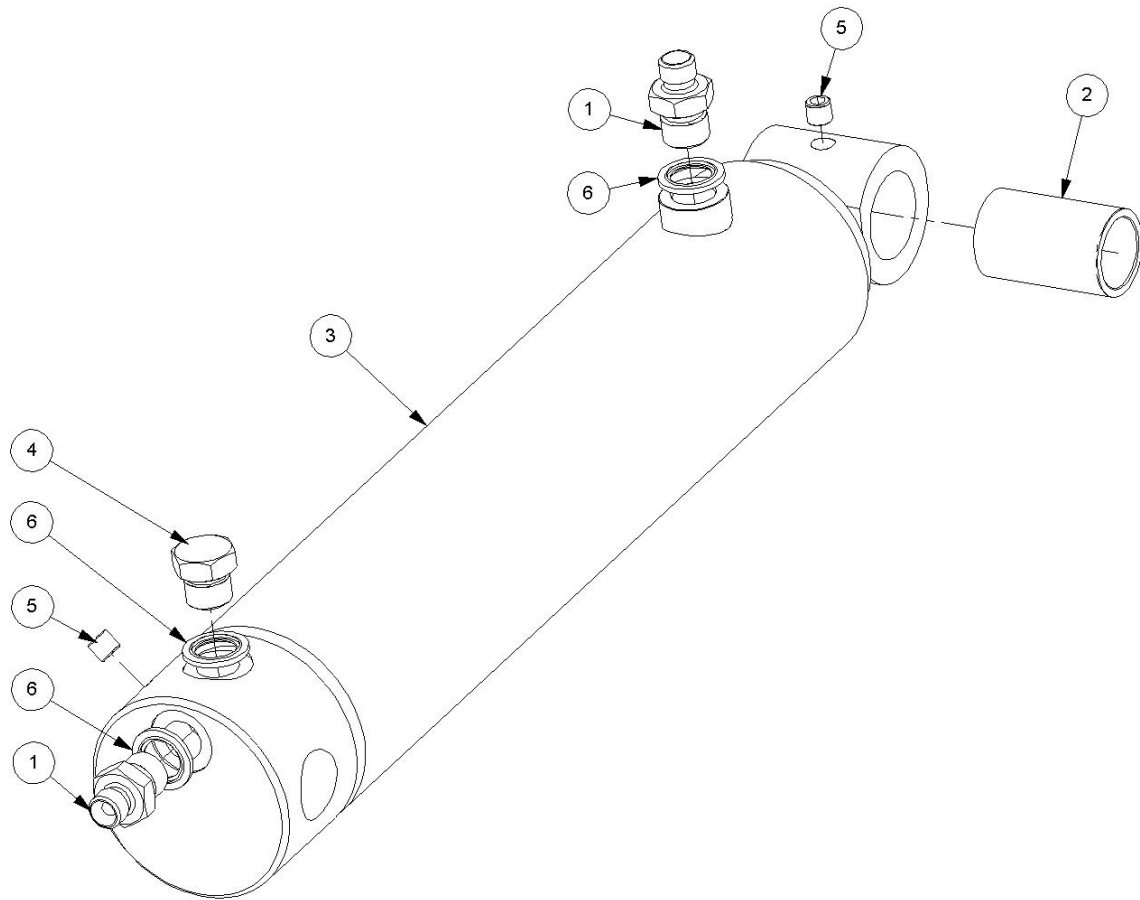
Ref	Part No	Description	QTY
1	41034.03	BARREL	1
2	41035.03	RAM ROD	1
3	7120383	PISTON	1
4	7120384	HOUSING	1
5	8629189	SEAL	1
6	8629190	SEAL	1
7	8629147	SEAL	1
8	8629164	SEAL	1
9	8609429	ANTI.EXT.RING	1
10	8600429	"O" RING	1
11	8600403	"O" RING	1

Ref	Part No	Description	QTY
12	9363023	SCREW	1

9343104 - SCREW

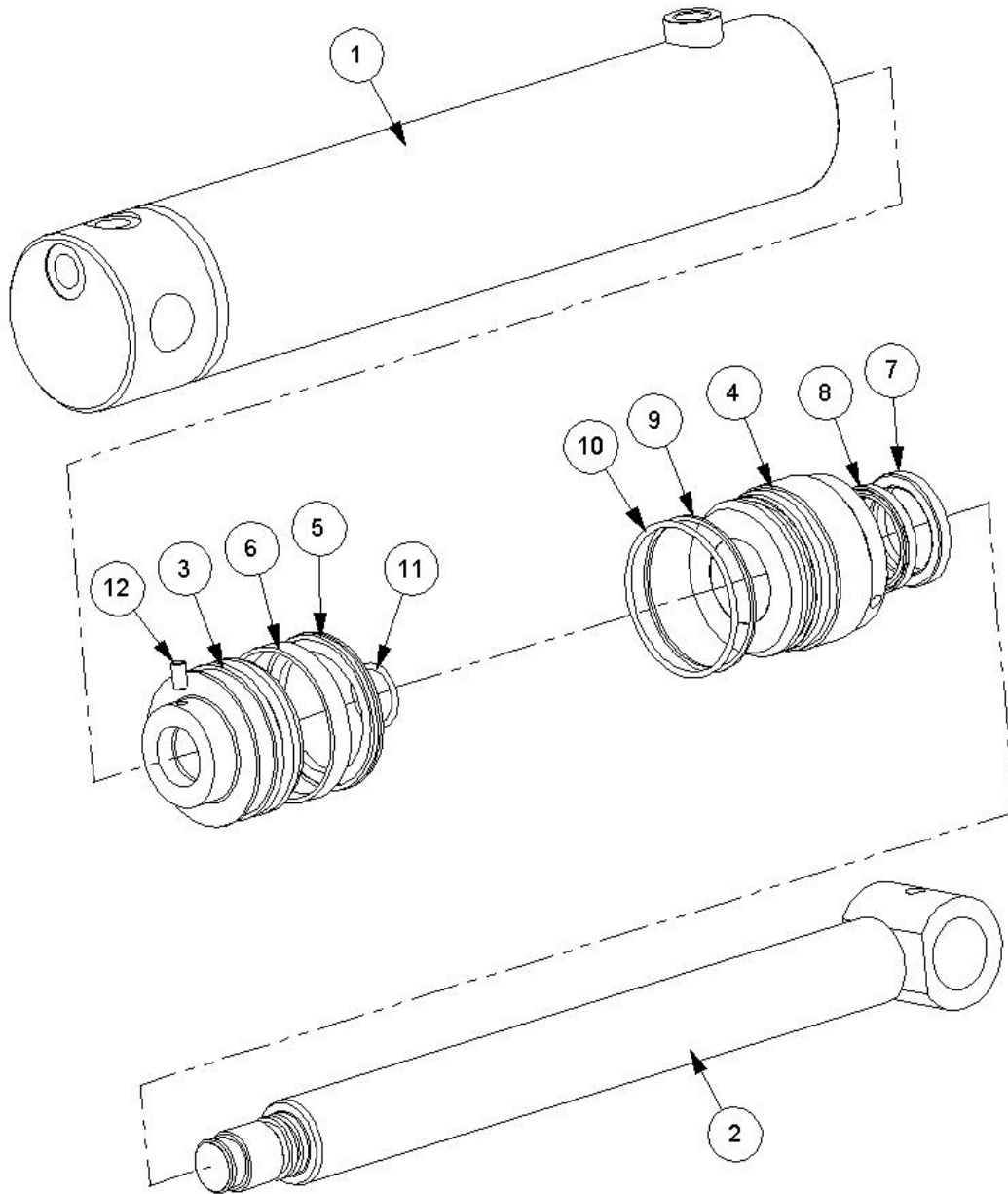


41014.26 - RAM ASSY



Ref	Part No	Description	QTY
1	01.099.01	ADAPTOR	2
2	24065.05	BUSH	1
3	41014.12AP	LIFT/REACH RAM	1
4	8003001	PLUG	1
5	8582041	PLUG	2
6	8650103	SEAL	3

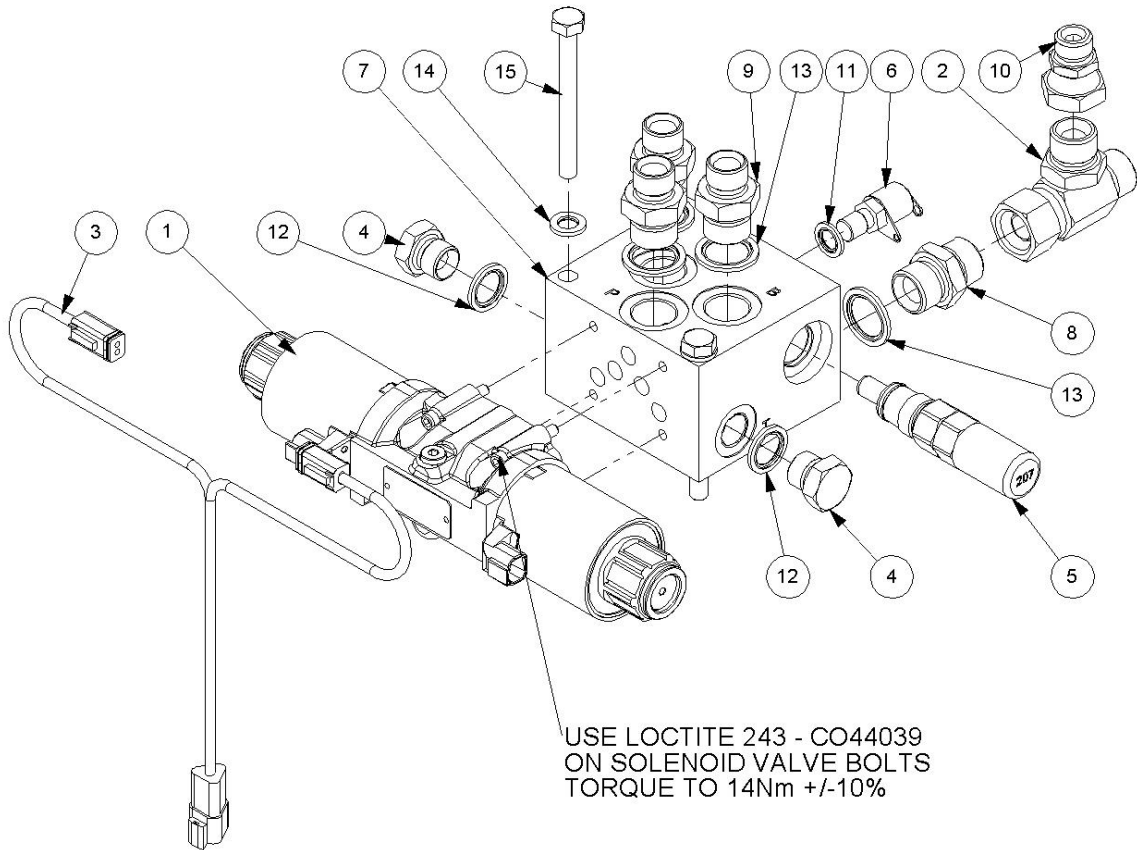
41014.12AP - LIFT/REACH RAM



Ref	Part No	Description	QTY
1	41034.03	BARREL	1
2	41035.03	RAM ROD	1
3	7120383	PISTON	1
4	7120384	HOUSING	1
5	8629189	SEAL	1
6	8629190	SEAL	1
7	8629147	SEAL	1
8	8629164	SEAL	1
9	8609429	ANTI.EXT.RING	1
10	8600429	"O" RING	1
11	8600403	"O" RING	1

Ref	Part No	Description	QTY
12	9363023	SCREW	1

7434746 - ELEC RCV

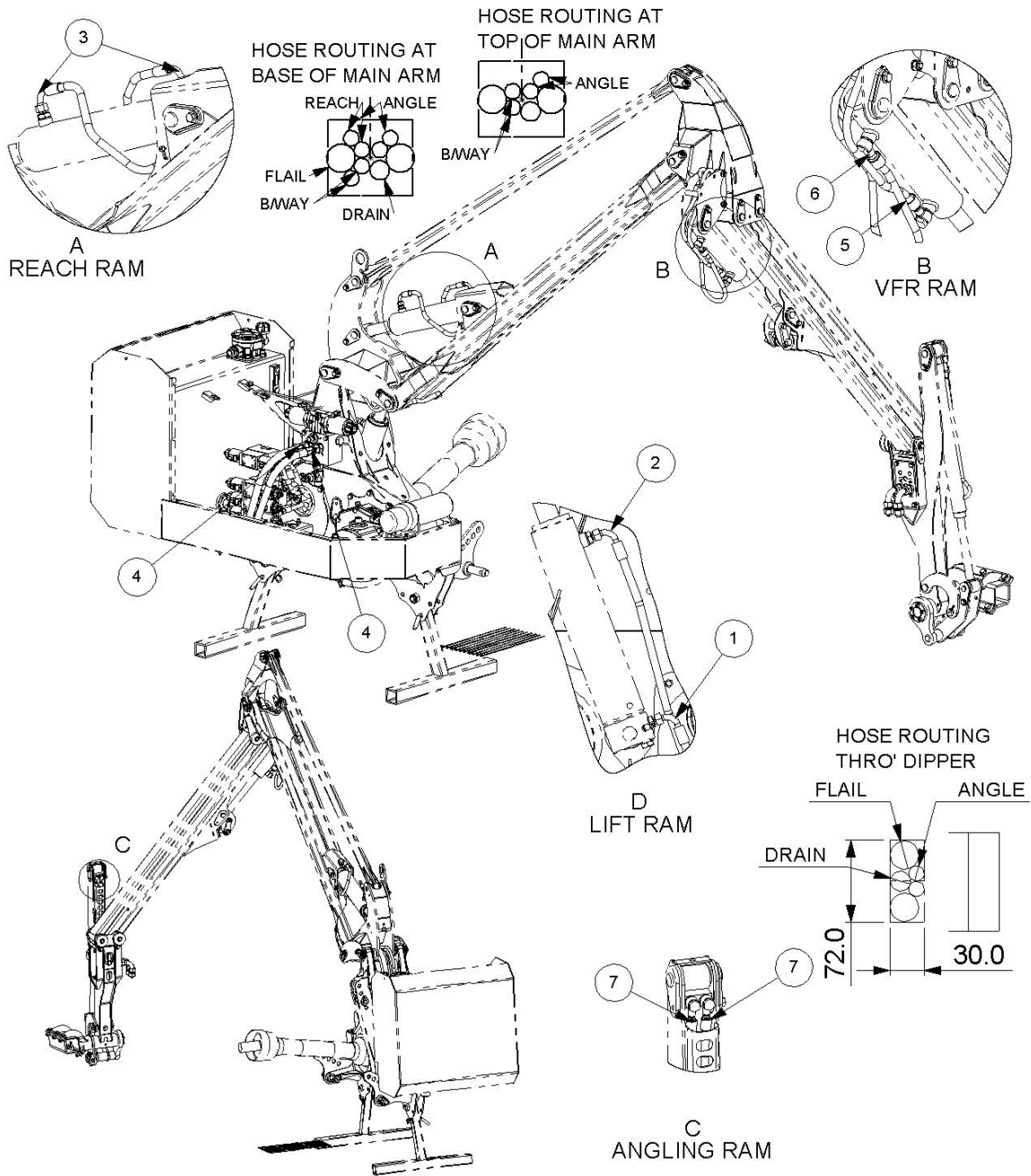


USE LOCTITE 243 - CO44039
ON SOLENOID VALVE BOLTS
TORQUE TO 14Nm +/-10%

Ref	Part No	Description	QTY
1	23550.19	DIRECTIONAL VALVE	1
2	04.056.01	ADAPTOR	1
3	41844.49	REVERSING MOTOR CONTROL LOOM	1
4	05.433.06	ADAPTOR	2
5	8125095	CARTRIDGE	1
6	8131008	COUPLING	1
7	8132271	BLOCK	1
8	8581136	ADAPTOR	1
9	8581270	ADAPTOR	3
10	8581676	ADAPTOR	1
11	8650102	SEAL	1
12	8650104	SEAL	2
13	8650106	SEAL	4
14	9100605	WASHER	2
15	9213205	BOLT	2

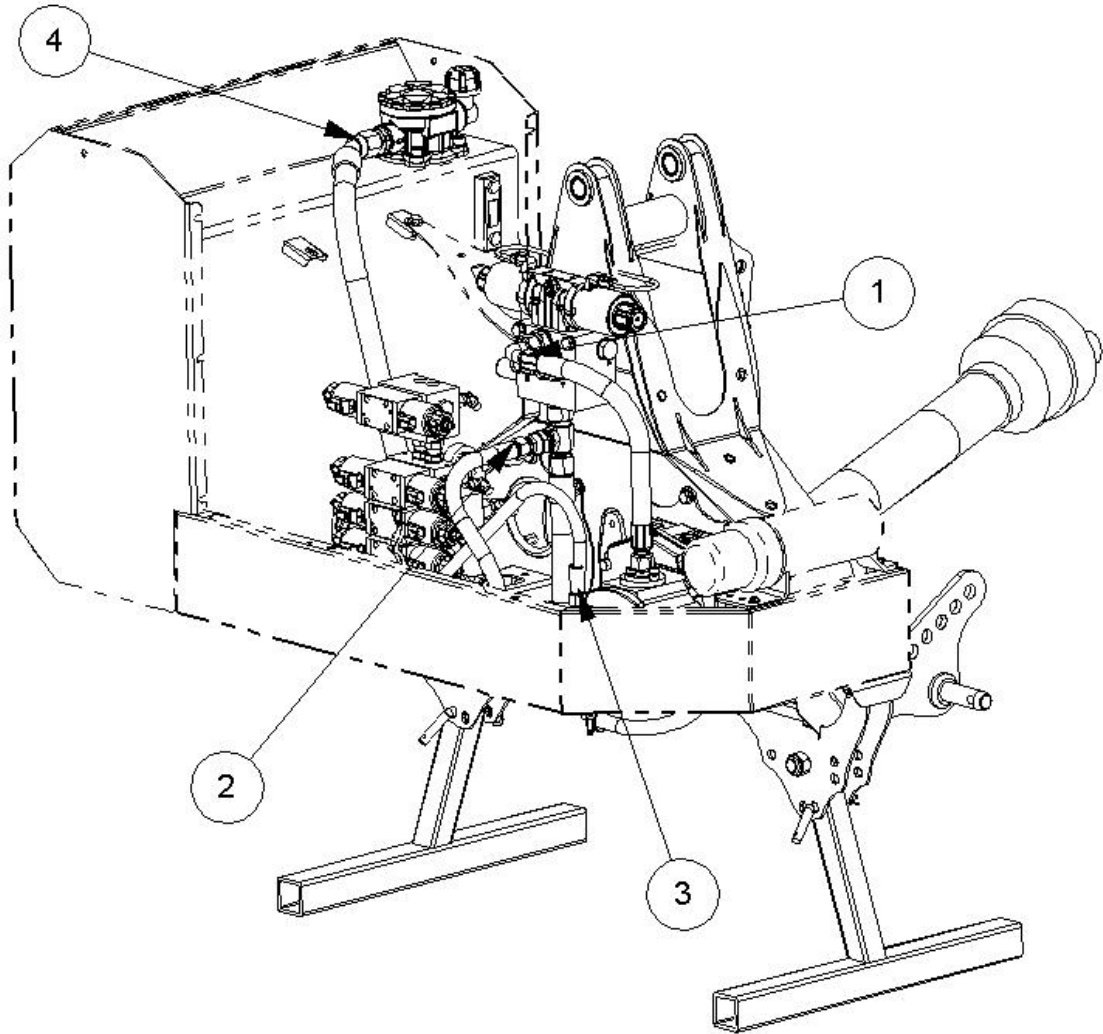
7434747 - HOSES ARM PA4830

VFR



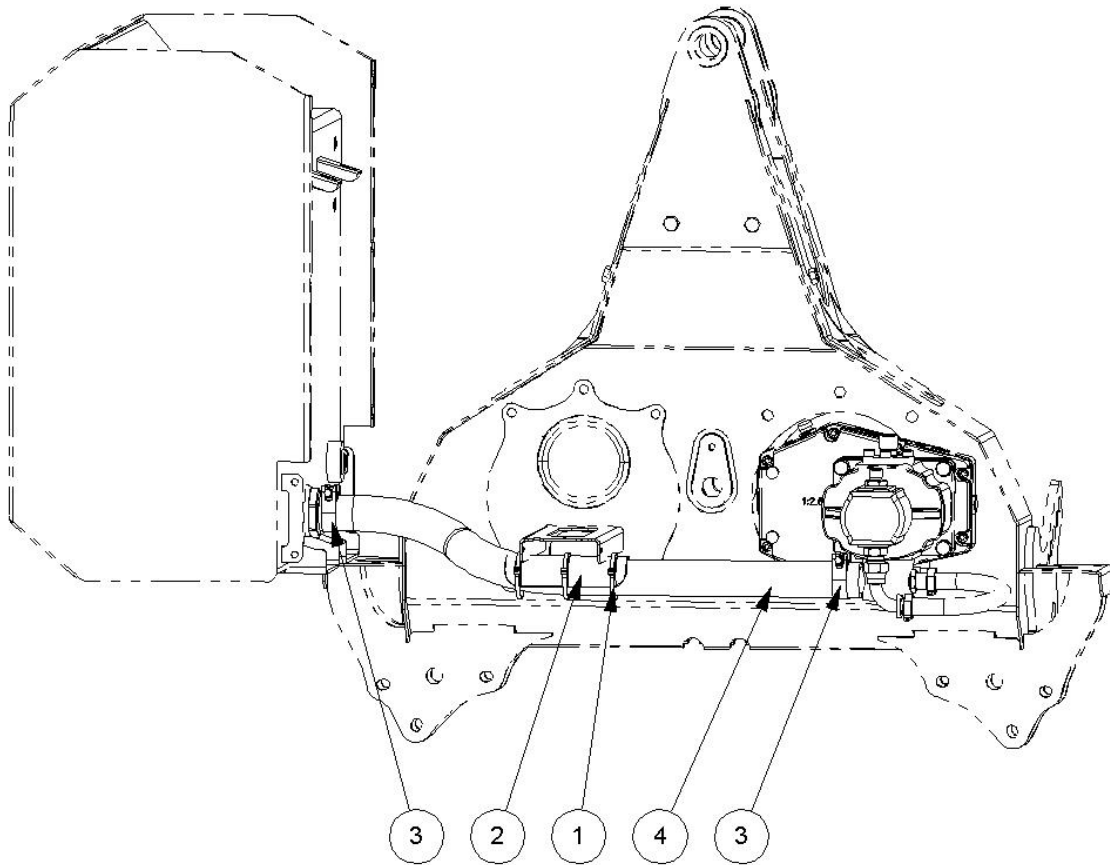
Ref	Part No	Description	QTY
1	24372.11	HOSE	1
2	24372.17	HOSE	1
3	24372.34	1/4 BSP F5/F90 2400MM LG HOSE	2
4	24371.65	HOSE	2
5	24126.47	1/4 FS 3/8 BANJO 3700 LG HOSE	1
6	24126.50	HOSE	1
7	24102.62	HOSE	2

74347481 - HOSE KIT



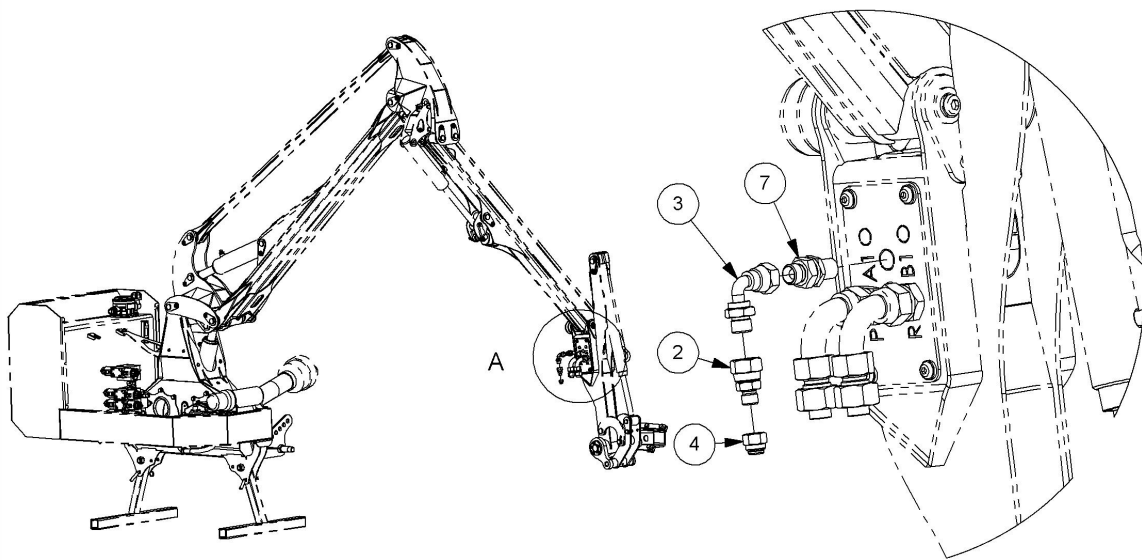
Ref	Part No	Description	QTY
1	10.008.09	HOSE	1
2	10.006.16	HOSE	1
3	10.004.13	HOSE	1
4	10.021.26	HOSE	1

7434749 - RH SUCTION HOSE INST

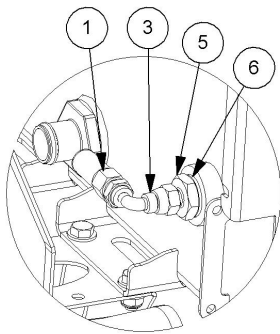


Ref	Part No	Description	QTY
1	22342.02	CABLE TIE	3
2	24114.04	HOSE PROTECTOR	1
3	0907047	HEAVY DUTY HOSE CLAMP 43 TO 47	2
4	8501649	HOSE	1

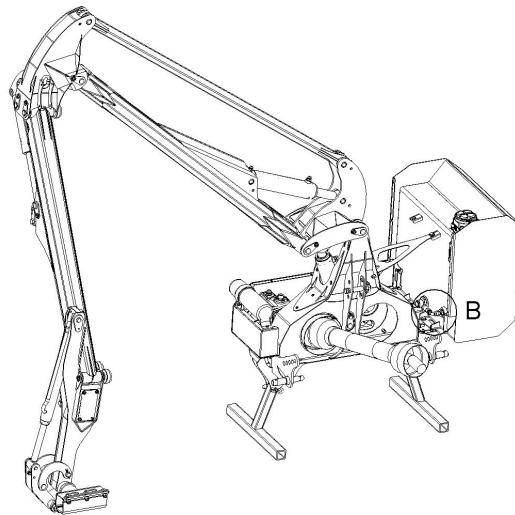
7434751 - DRAIN LINE MODULE



A (1 : 5)

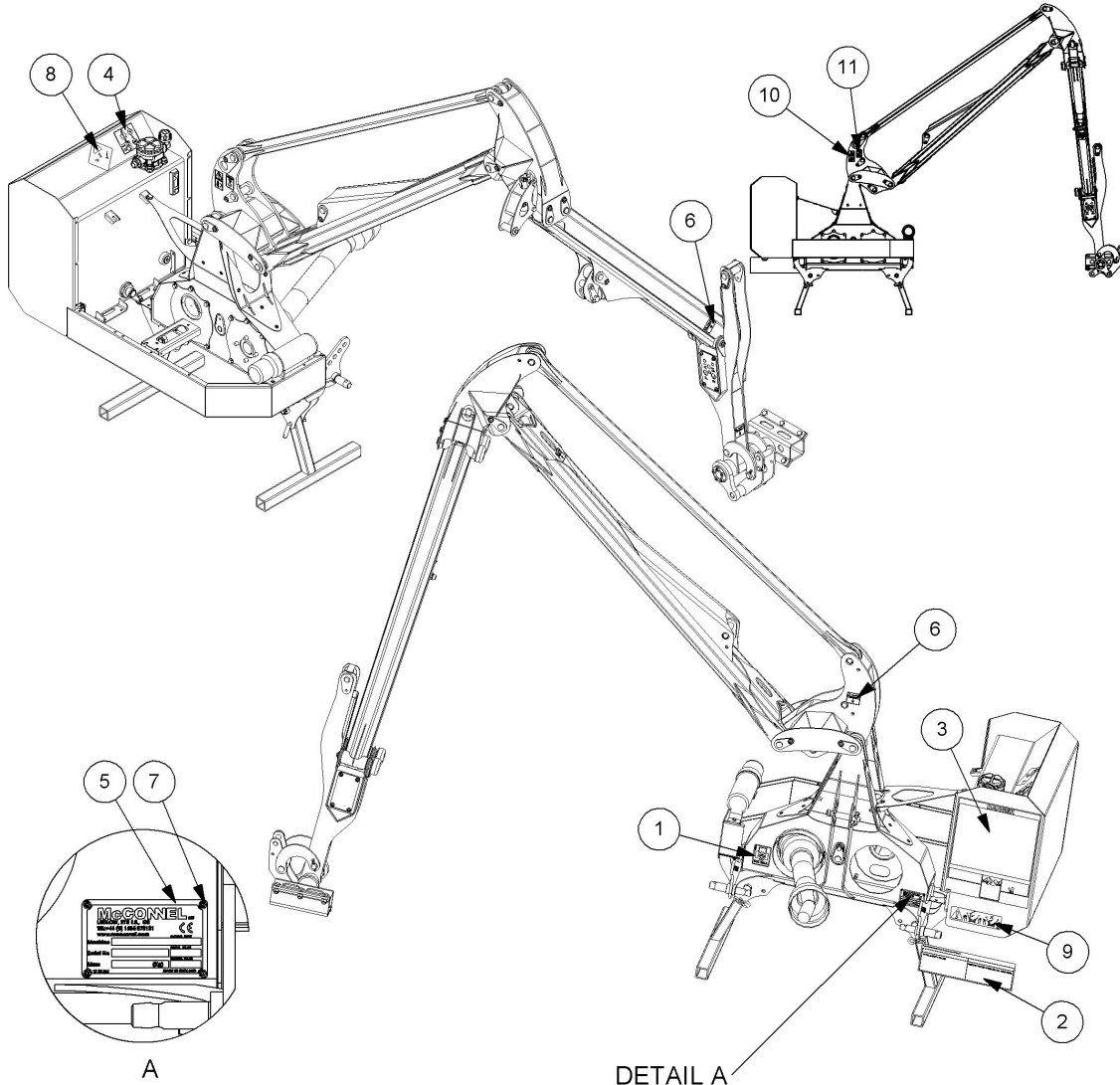


B (1 : 5)



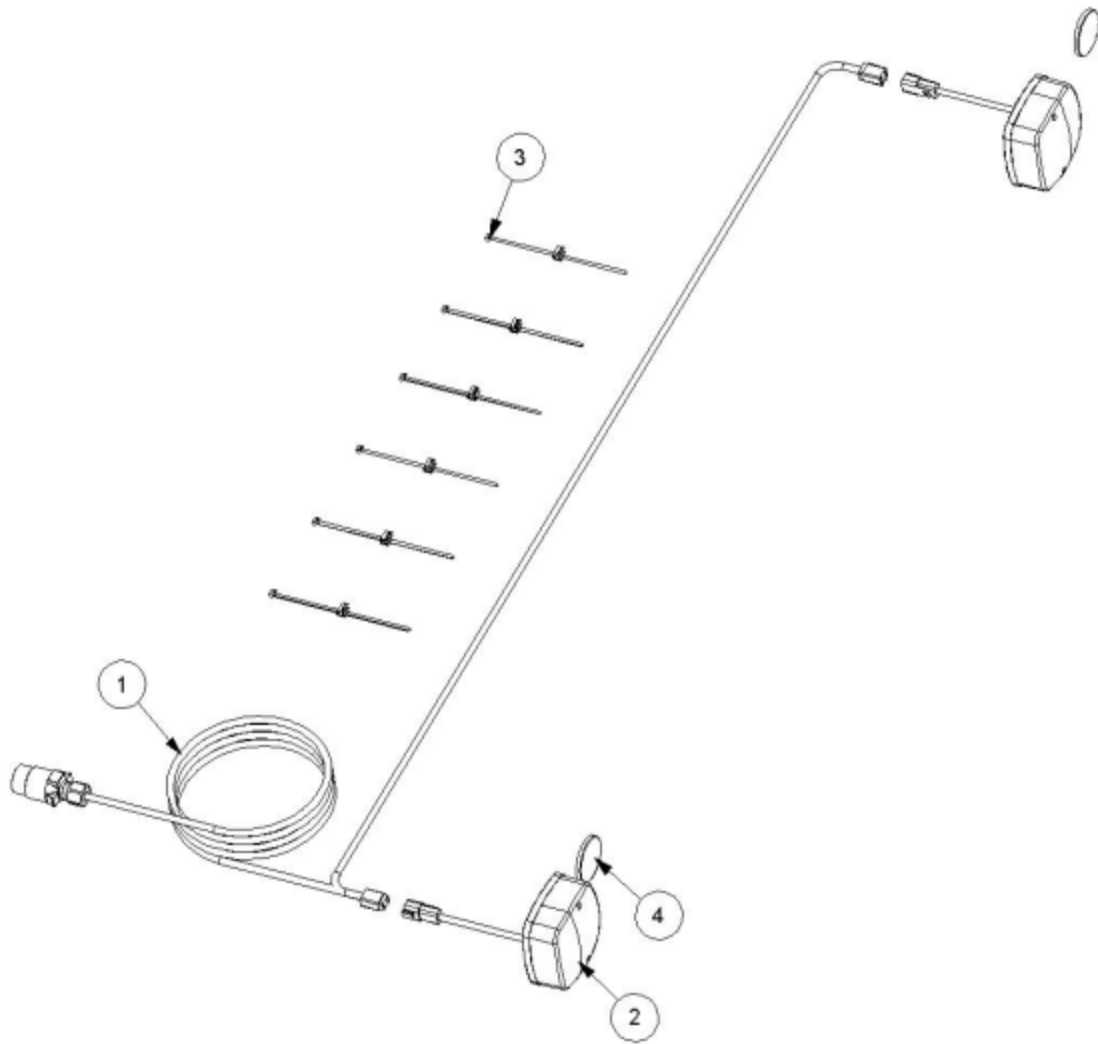
Ref	Part No	Description	QTY
1	10.004.61	HOSE	1
2	02.714.10	ADAPTOR	1
3	30.204.24	ELBOW FITTING	2
4	520560	ADAPTOR	1
5	8581131	ADAPTOR	1
6	8650106	SEAL	1
7	T8072	ADAPTOR	1

7434755 - WARNING AND INSTRUCTION DECALS



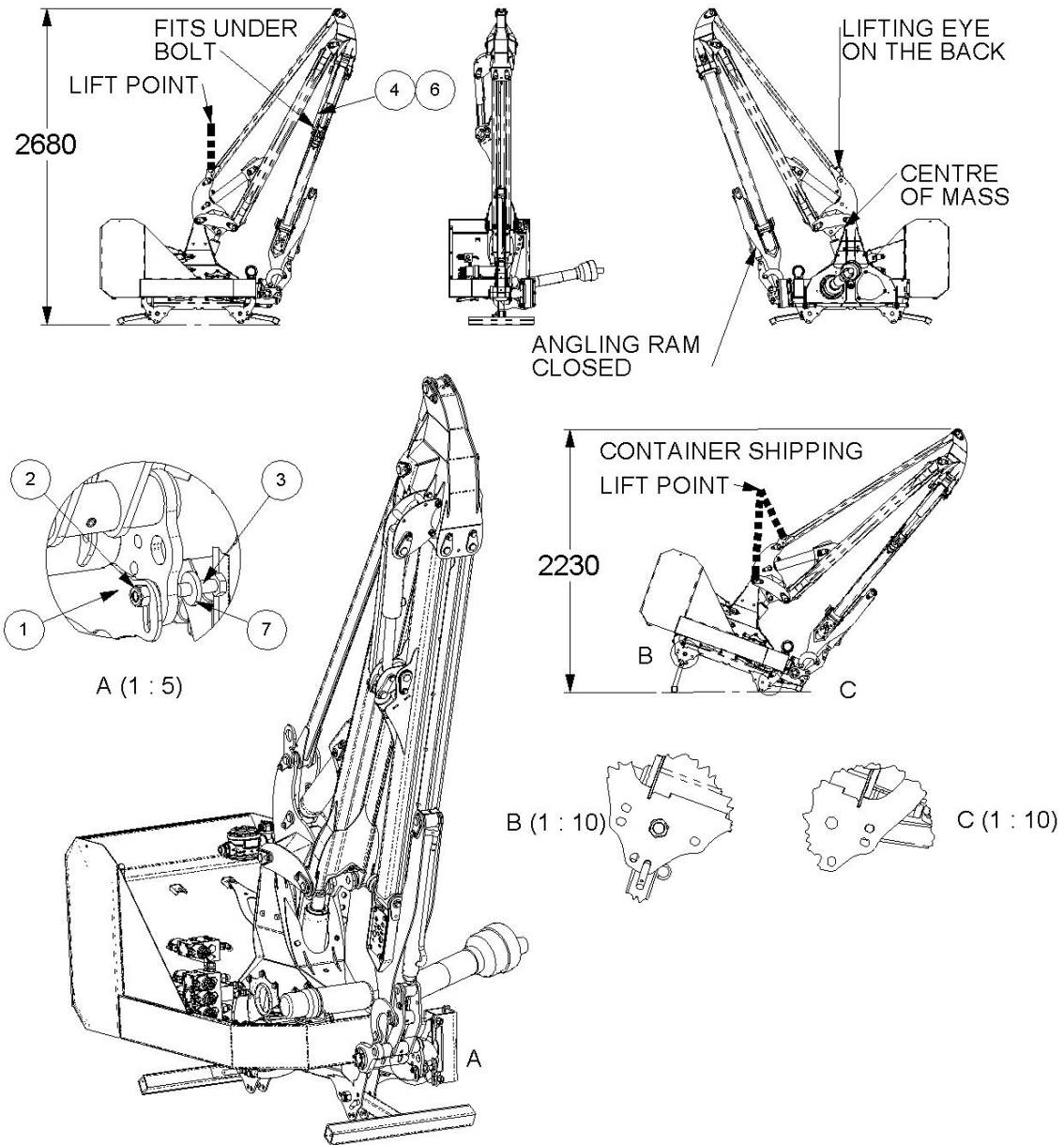
Ref	Part No	Description	QTY
1	23832.01	DECAL-540 PTO MAX CW	1
2	1290352	DECAL	1
3	1290391	DECAL	1
4	1290774	DECAL	1
5	1335246	SERIAL No. PLATE	1
6	02962764	DECAL	5
7	7103230	RIVET	4
8	7105130	DECAL	1
9	7135295	DECAL	1
10	1290893	DECAL	1
11	09.843.05	DECAL	1

45900.02 - LIGHTING KIT



Ref	Part No	Description	QTY
1	45656.02	LOOM	1
2	KR-LA 2002 M	LIGHT ASSY	2
4	21150.01	CABLE TIE	6
4	45671.01	REFLECTOR	2

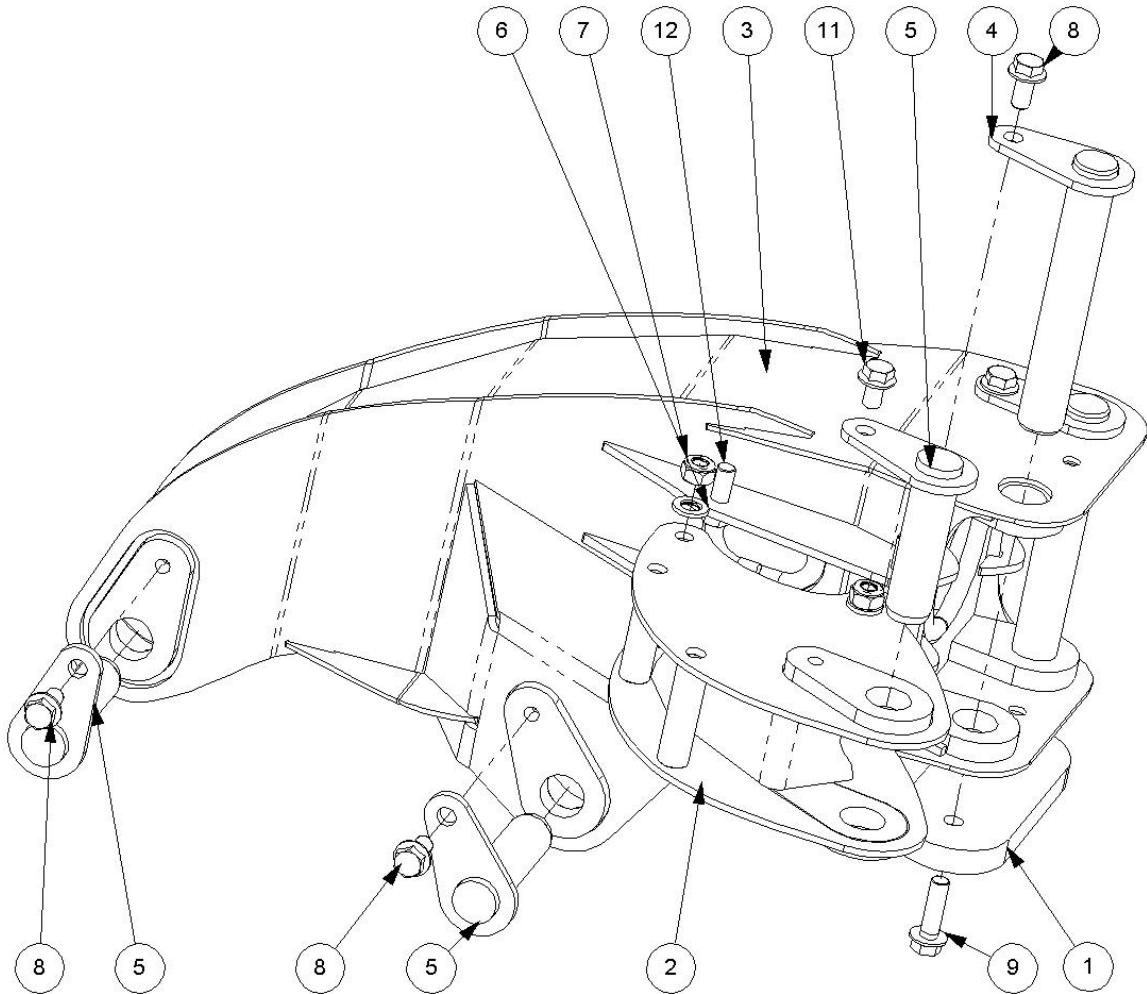
7434760 - PACKING MODULE



Ref	Part No	Description	QTY
1	24128.01	LINK	1
2	9163005	NUT	2
3	9313065	SCREW	2
3	9313075	SCREW	1
4	24128.02	PACKING STRAP - VFR	1
5	94441016	BOLT	1
6	9100605	WASHER	1
7	21DZT018	SPECIAL WASHER-M10	1

7434783 - UPPER DIPPER MODULE

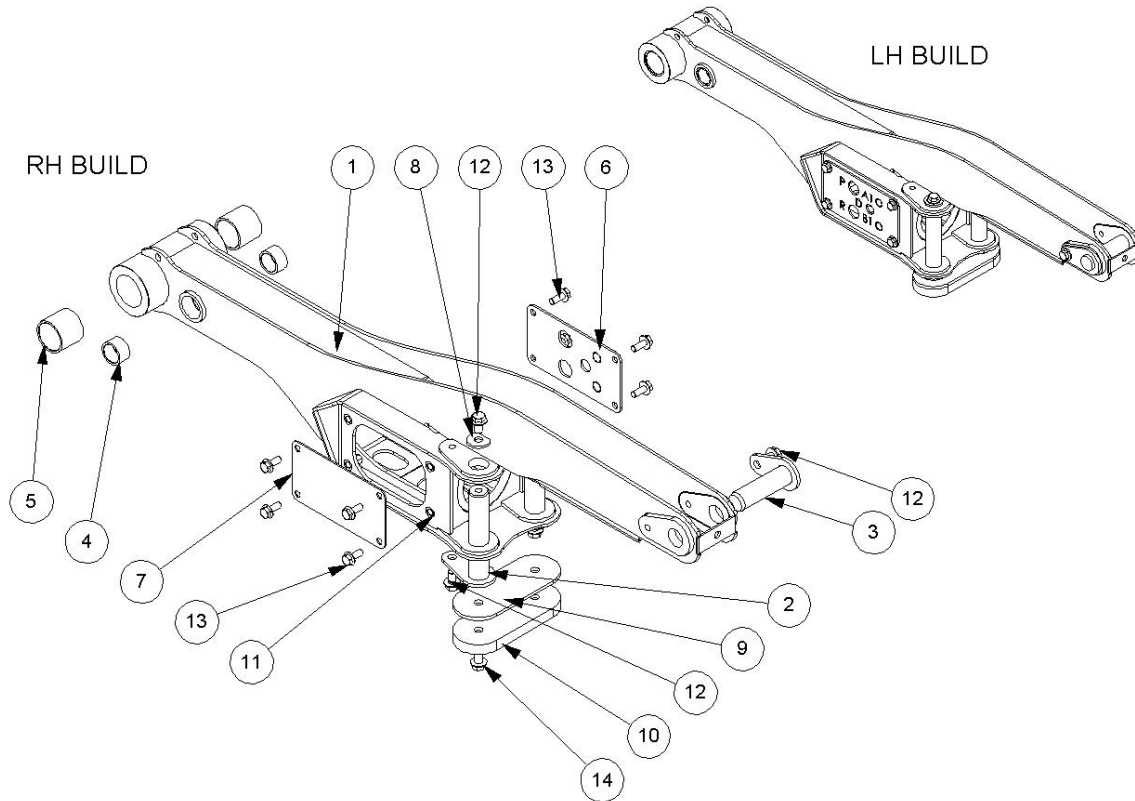
PA 30 SERI



Ref	Part No	Description	QTY
1	24063.22	DIPPER PAD	1
2	24400.07	RAM BRKT W.A.	1
3	24400.01	UPPER DIPPER VFR W.A.	1
4	24064.05	PIN	2
5	24401.01	PIN 1 IN DIA X 88 LG EN16T	4
6	9100605	WASHER	4
7	9163005	NUT	4
8	94441020	BOLT	5
9	94441035	BOLT	2
11	94441016	BOLT	1
12	94441025	BOLT	4

7434784 - LOWER DIPPER MODULE

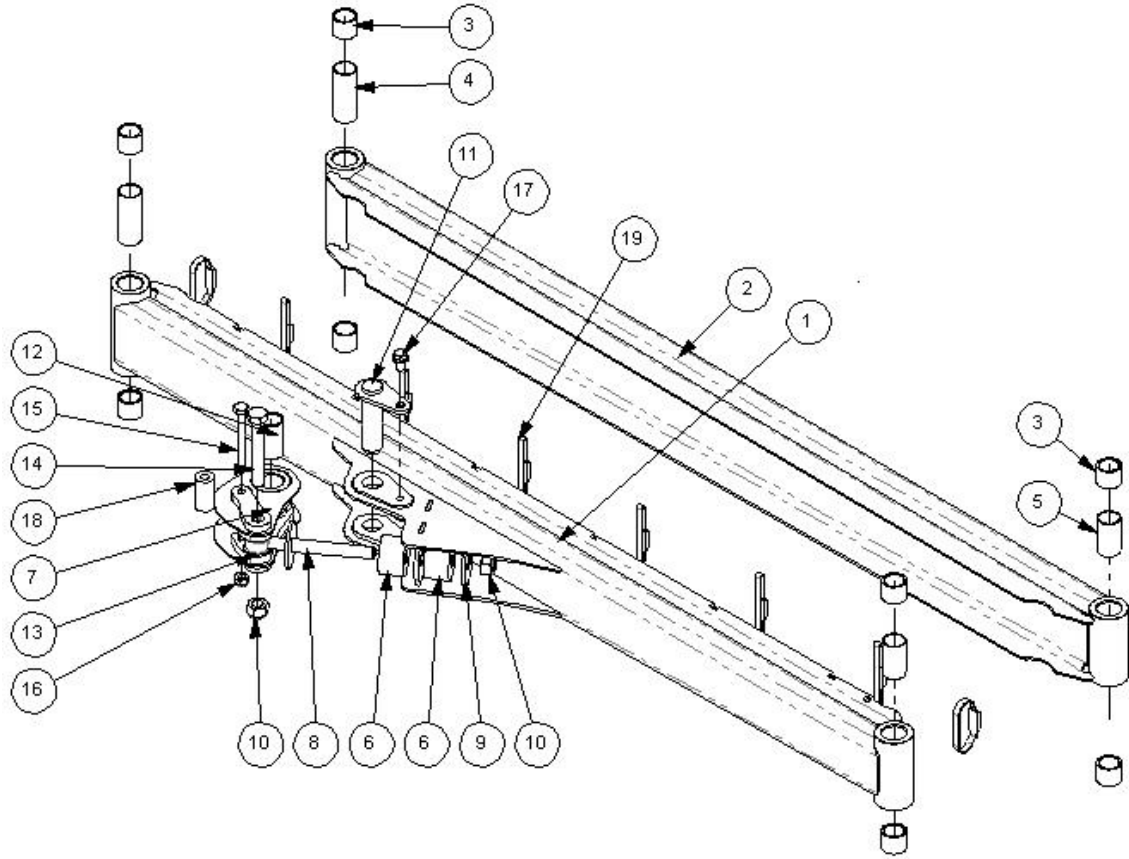
PA4330 VFR



Ref	Part No	Description	QTY
1	24400.04	LOWER DIPPER VFR W.A.	1
2	24064.01	PIN	2
3	24401.01	PIN 1 IN DIA X 88 LG EN16T	1
4	24065.01	BUSH	2
5	24065.03	BUSH	2
6	24064.03	HOSE PLATE	1
7	24064.04	PLATE	1
8	24064.02	WASHER	2
9	24063.21	BACKING PLATE	1
10	24063.22	DIPPER PAD	1
11	24011.09	SHEET NUT	8
12	94441016	BOLT	5
13	94440820	BOLT	8
14	94441025	BOLT	2

7434785 - CENTRE DIPPER

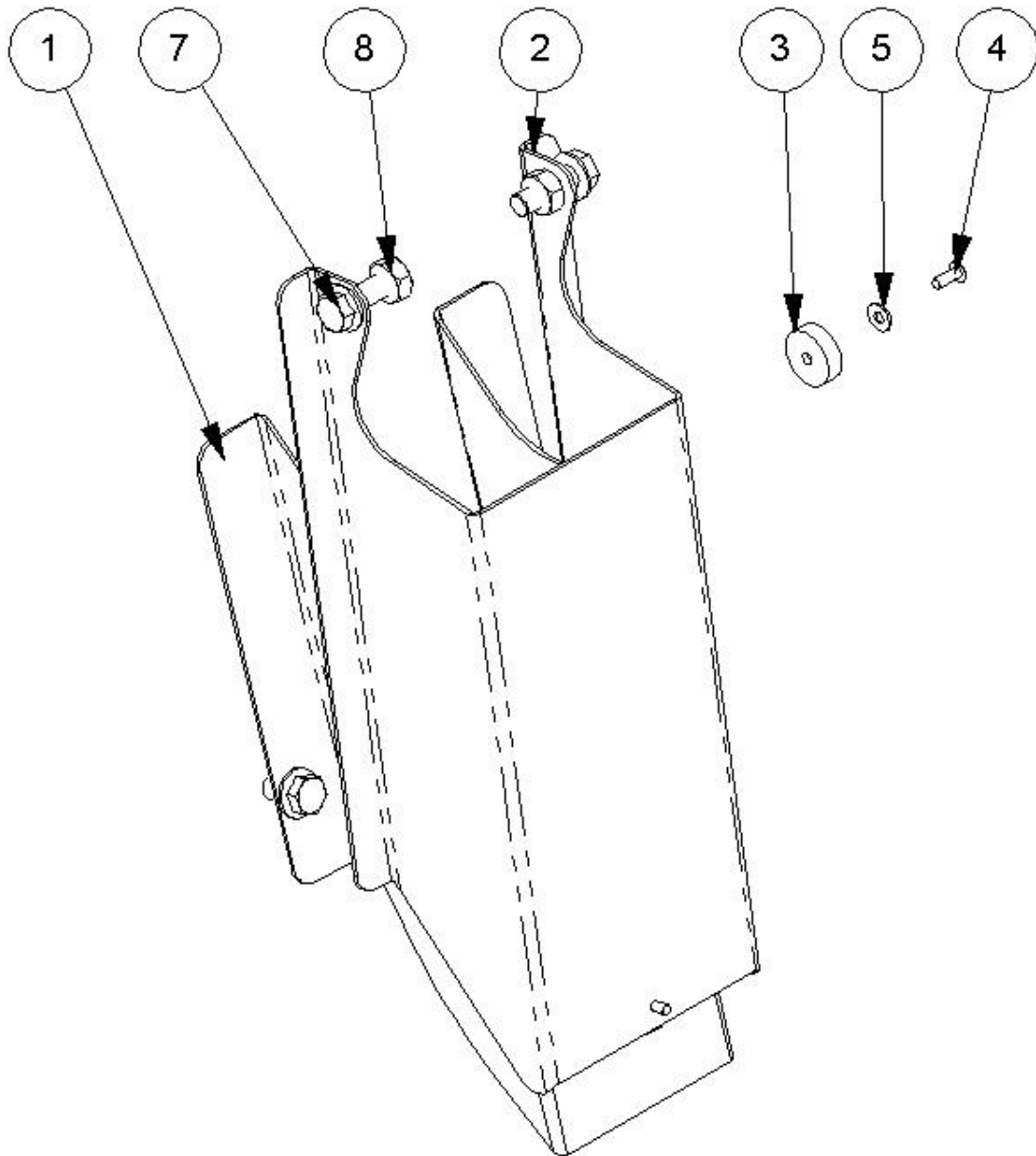
MODULE PA4830 VF



Ref	Part No	Description	QTY
1	24400.02	CENTRE DIPPER VFR W.A.	1
2	24400.03	TENSION LINK VFR W.A.	1
3	24065.02	BUSH	8
4	24063.15	SPACER	2
5	24063.16	SPACER	2
6	23886.05	SPRING	2
7	24400.05	RAM LINKAGE	1
8	24063.17	SPRING LINK	1
9	24063.19	WASHER	1
10	9163007	NUT	2
11	24401.01	PIN 1 IN DIA X 88 LG EN16T	1
12	24065.05	BUSH	1
13	0100106	WASHER	1
14	9213207	BOLT	1
15	9213185	BOLT	1
16	9163005	NUT	1
17	94441016	BOLT	1

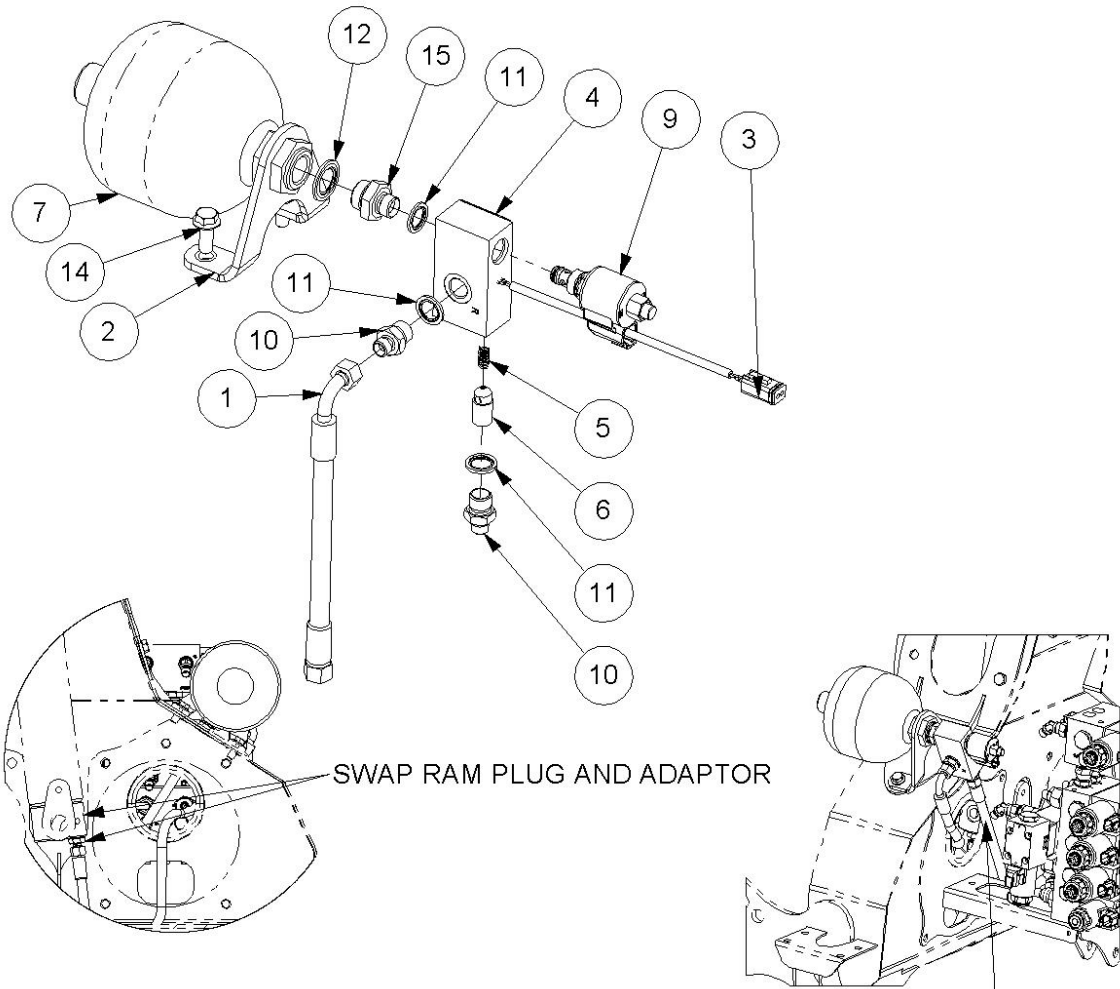
Ref	Part No	Description	QTY
18	24400.06	RAM BUSH SMALL	1
19	7196045	HOSE TIE	6
20	7196045	HOSE TIE	2

7434786 - PROTECTOR MODULE



Ref	Part No	Description	QTY
1	24075.12	TRASH PRESSING INNER	1
2	24075.13	TRASH PRESSING OUTER	1
3	21977.01	BAR	3
4	1069088	RIVET	3
5	9100102	WASHER	3
6	94441016	BOLT	2
7	94441030	BOLT	2
8	9113005	NUT	2

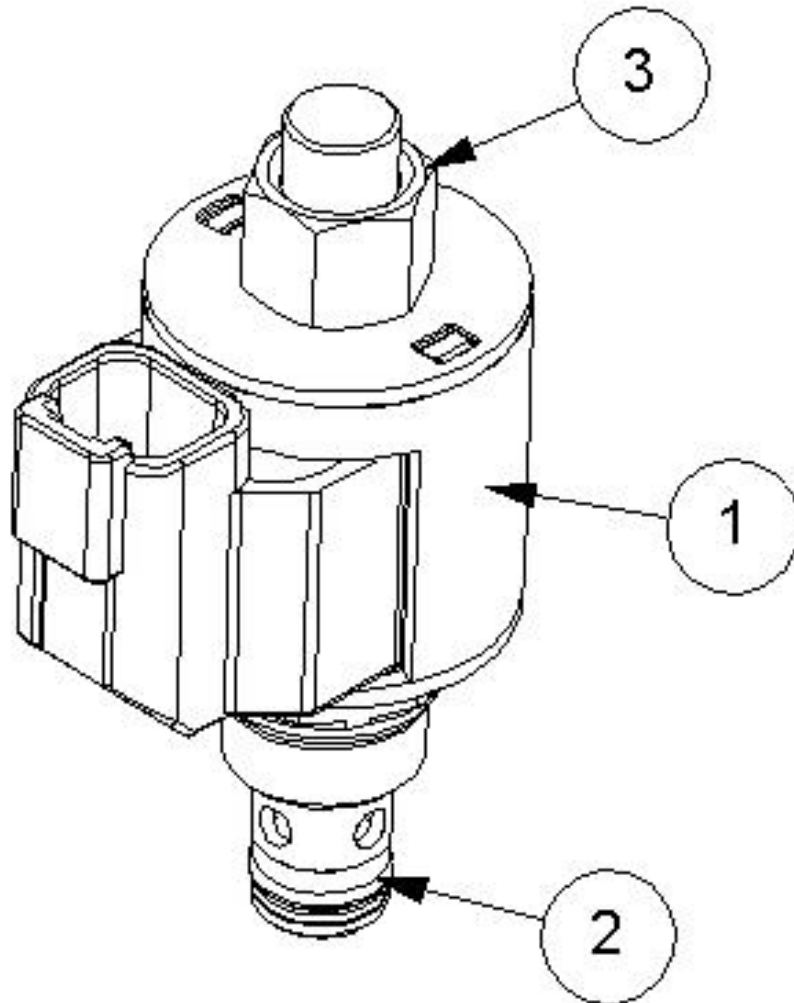
8126387 - LIFT FLOAT



USE THE HOSE FROM STANDARD HOSE KIT FOR LINK THE VALVE TO THE LIFT FLOAT VALVE

Ref	Part No	Description	QTY
1	10.002.10	HOSE	1
2	24075.11	LIFT FLOAT MTG BRKT	1
3	41844.54	ANGLE FLOAT LOOM 2M DT CONNECT	1
4	1290061	DECAL	1
5	8116011	SPRING	1
6	8126037	PISTON	1
7	8126042	ACCUMULATOR	1
8	8126287	BLOCK	1
9	8130223	NC POPPET VALVE	1
10	8581115	ADAPTOR	2
11	8650103	SEAL	3
12	8650322	SEAL	1
14	94441025	BOLT	2
15	G2410380	ADAPTOR	1

8130223 - NC POPPET VALVE



Ref	Part No	Description	QTY
1	8130220	COIL FOR 8130223	1
2	8130221	VALVE FOR 8130223	1
3	8130222	COIL RETAINING NUT FOR 8130223	1