

PARTS LIST

ITEM	QTY	PART NUMBER	DESCRIPTION
1	1	RM1500PRO-EV1	RM1500PRO SUBASSEMBLY
2	2	RM1500PRO-EV2	RM1500PRO ROTOR ASSEMBLY SIDES
3	1	RM1500PRO-EV3	RM1500PRO ROTOR ASSEMBLY MID
4	1	RM1500PRO-EV4	RM1500PRO MOTOR ASSEMBLY

Designed by JB	Checked by RB	Approved by DK	Date 24-1-2011	Date 24-1-2011
-------------------	------------------	-------------------	-------------------	-------------------

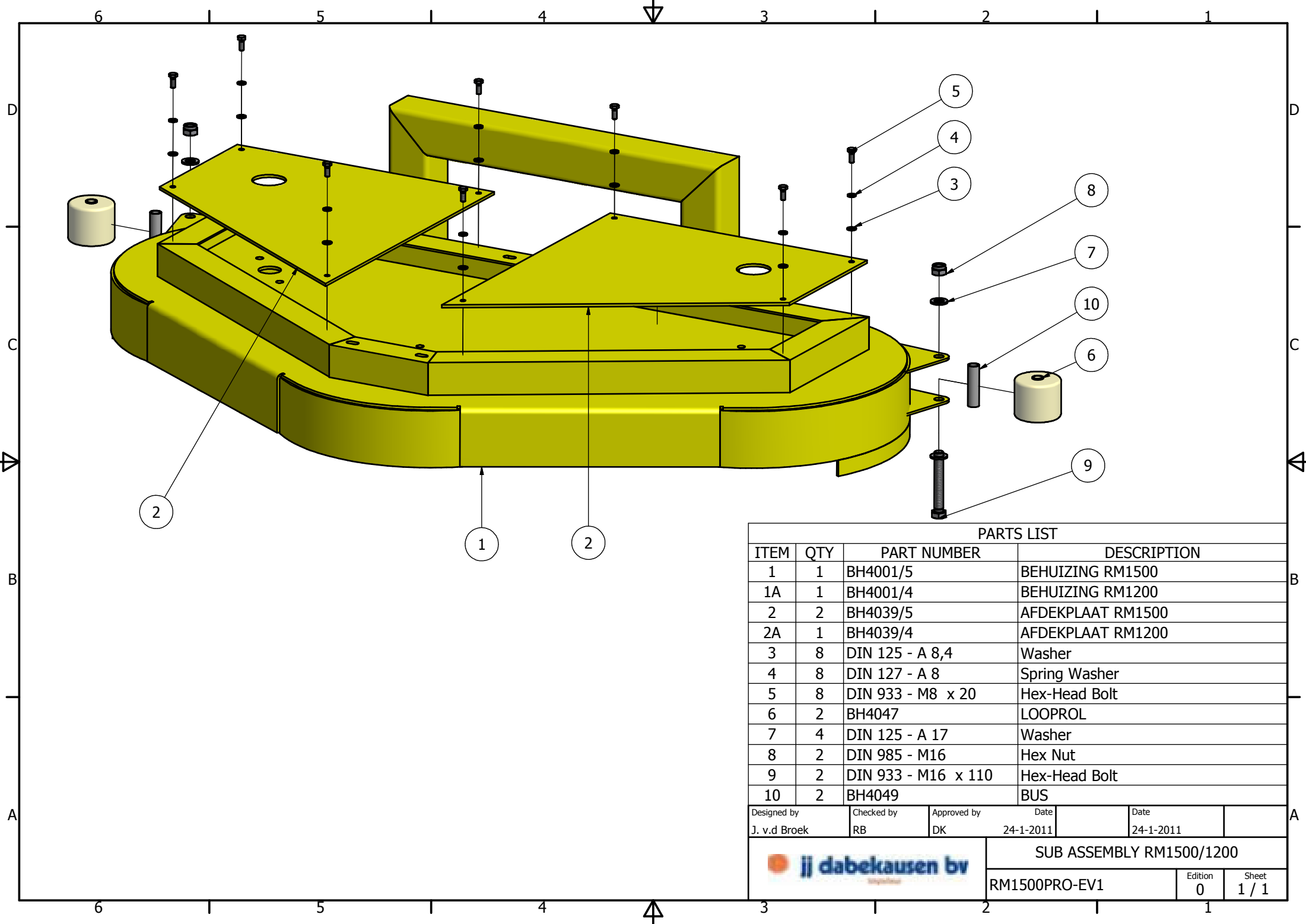


ASSEMBLY RM1500/1200


RM1500PRO-EV0

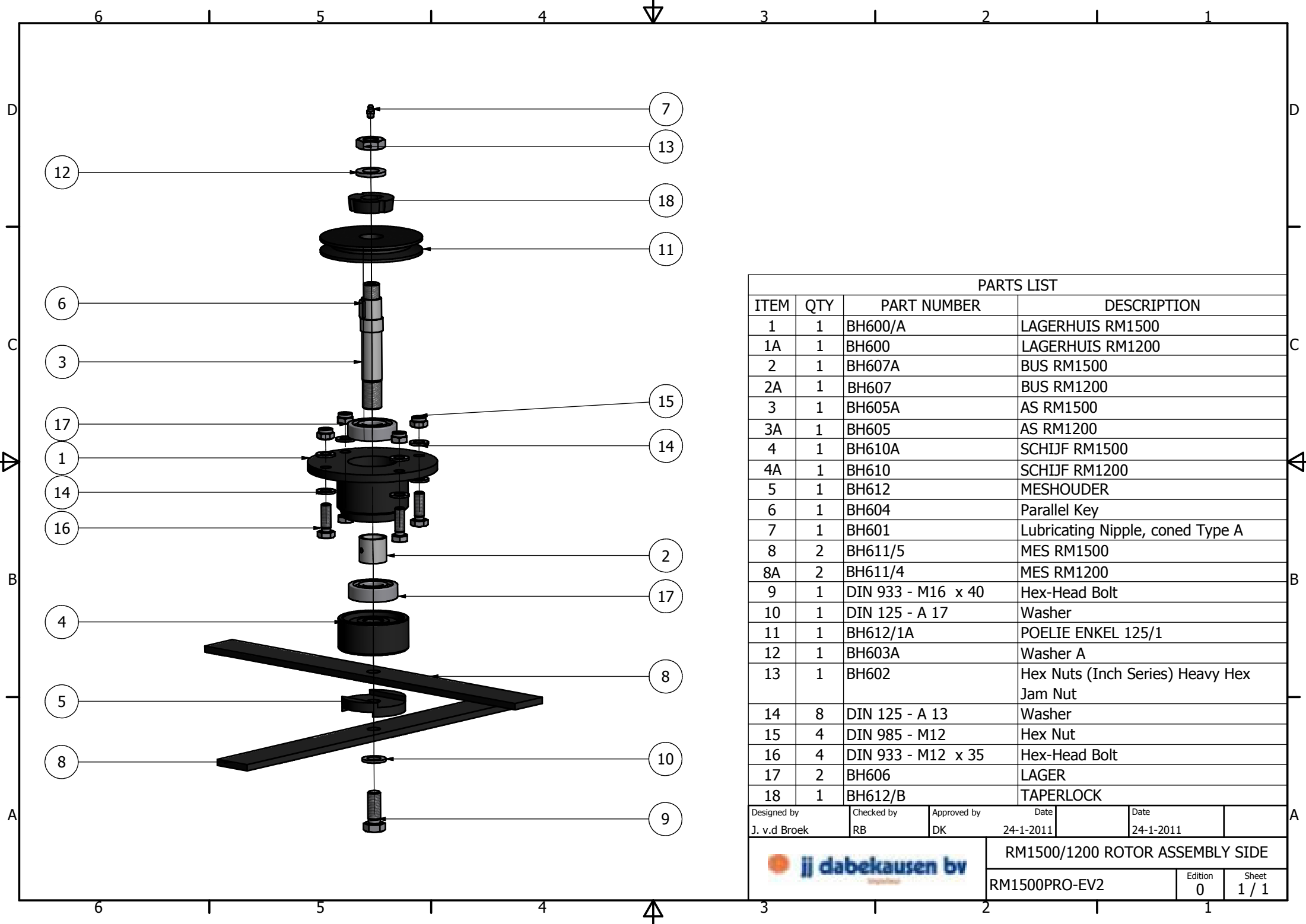
Edition
0

Sheet
1 / 1



PARTS LIST			
ITEM	QTY	PART NUMBER	DESCRIPTION
1	1	BH4001/5	BEHUIZING RM1500
1A	1	BH4001/4	BEHUIZING RM1200
2	2	BH4039/5	AFDEKPLAAT RM1500
2A	1	BH4039/4	AFDEKPLAAT RM1200
3	8	DIN 125 - A 8,4	Washer
4	8	DIN 127 - A 8	Spring Washer
5	8	DIN 933 - M8 x 20	Hex-Head Bolt
6	2	BH4047	LOOPROL
7	4	DIN 125 - A 17	Washer
8	2	DIN 985 - M16	Hex Nut
9	2	DIN 933 - M16 x 110	Hex-Head Bolt
10	2	BH4049	BUS

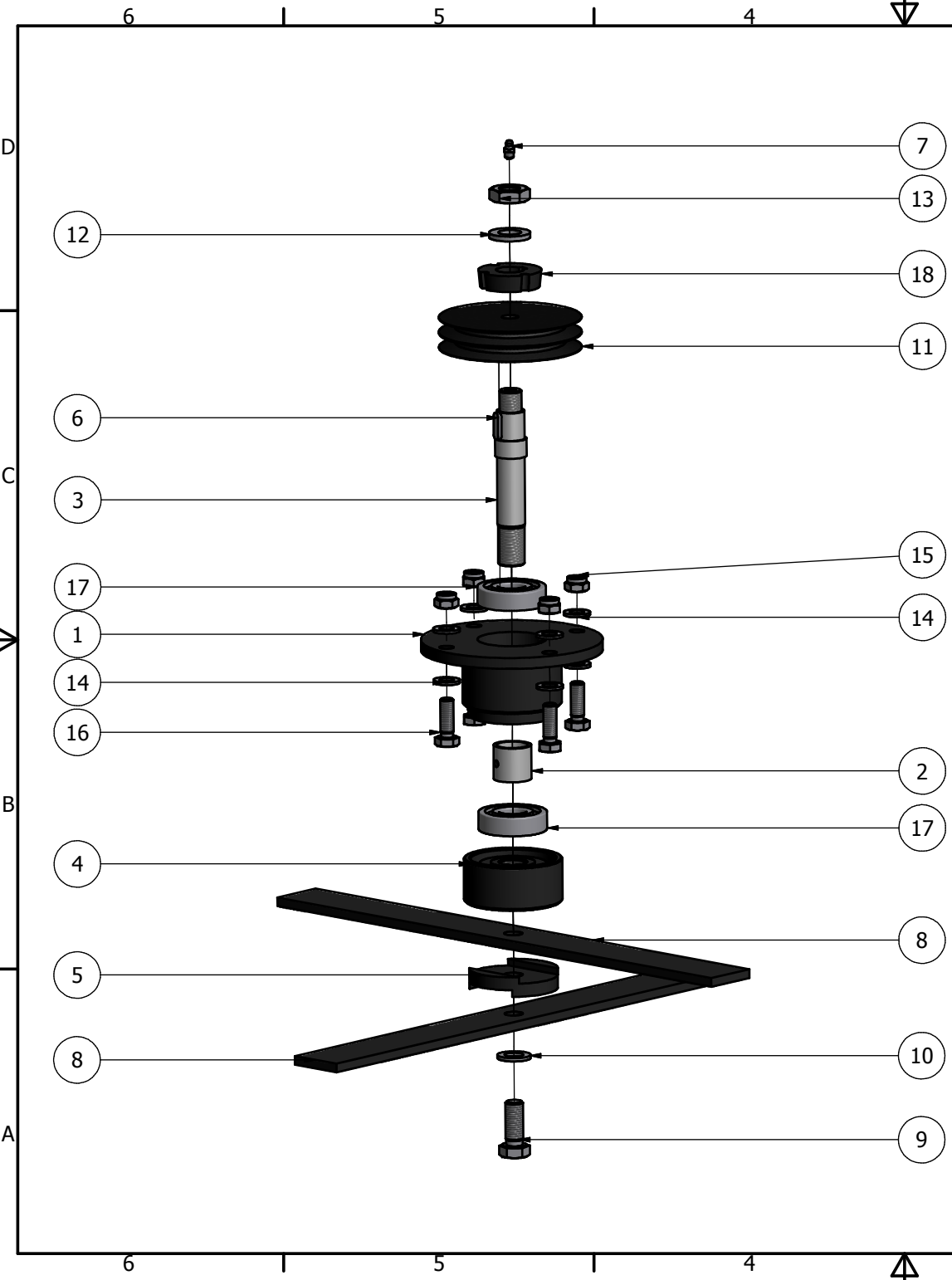
Designed by	Checked by	Approved by	Date	Date
J. v.d Broek	RB	DK	24-1-2011	24-1-2011
			SUB ASSEMBLY RM1500/1200	
			RM1500PRO-EV1	Edition 0



PARTS LIST			
ITEM	QTY	PART NUMBER	DESCRIPTION
1	1	BH600/A	LAGERHUIS RM1500
1A	1	BH600	LAGERHUIS RM1200
2	1	BH607A	BUS RM1500
2A	1	BH607	BUS RM1200
3	1	BH605A	AS RM1500
3A	1	BH605	AS RM1200
4	1	BH610A	SCHIJF RM1500
4A	1	BH610	SCHIJF RM1200
5	1	BH612	MESHOUDER
6	1	BH604	Parallel Key
7	1	BH601	Lubricating Nipple, coned Type A
8	2	BH611/5	MES RM1500
8A	2	BH611/4	MES RM1200
9	1	DIN 933 - M16 x 40	Hex-Head Bolt
10	1	DIN 125 - A 17	Washer
11	1	BH612/1A	POELIE ENKEL 125/1
12	1	BH603A	Washer A
13	1	BH602	Hex Nuts (Inch Series) Heavy Hex Jam Nut
14	8	DIN 125 - A 13	Washer
15	4	DIN 985 - M12	Hex Nut
16	4	DIN 933 - M12 x 35	Hex-Head Bolt
17	2	BH606	LAGER
18	1	BH612/B	TAPERLOCK

Designed by	Checked by	Approved by	Date	Date
J. v.d Broek	RB	DK	24-1-2011	24-1-2011

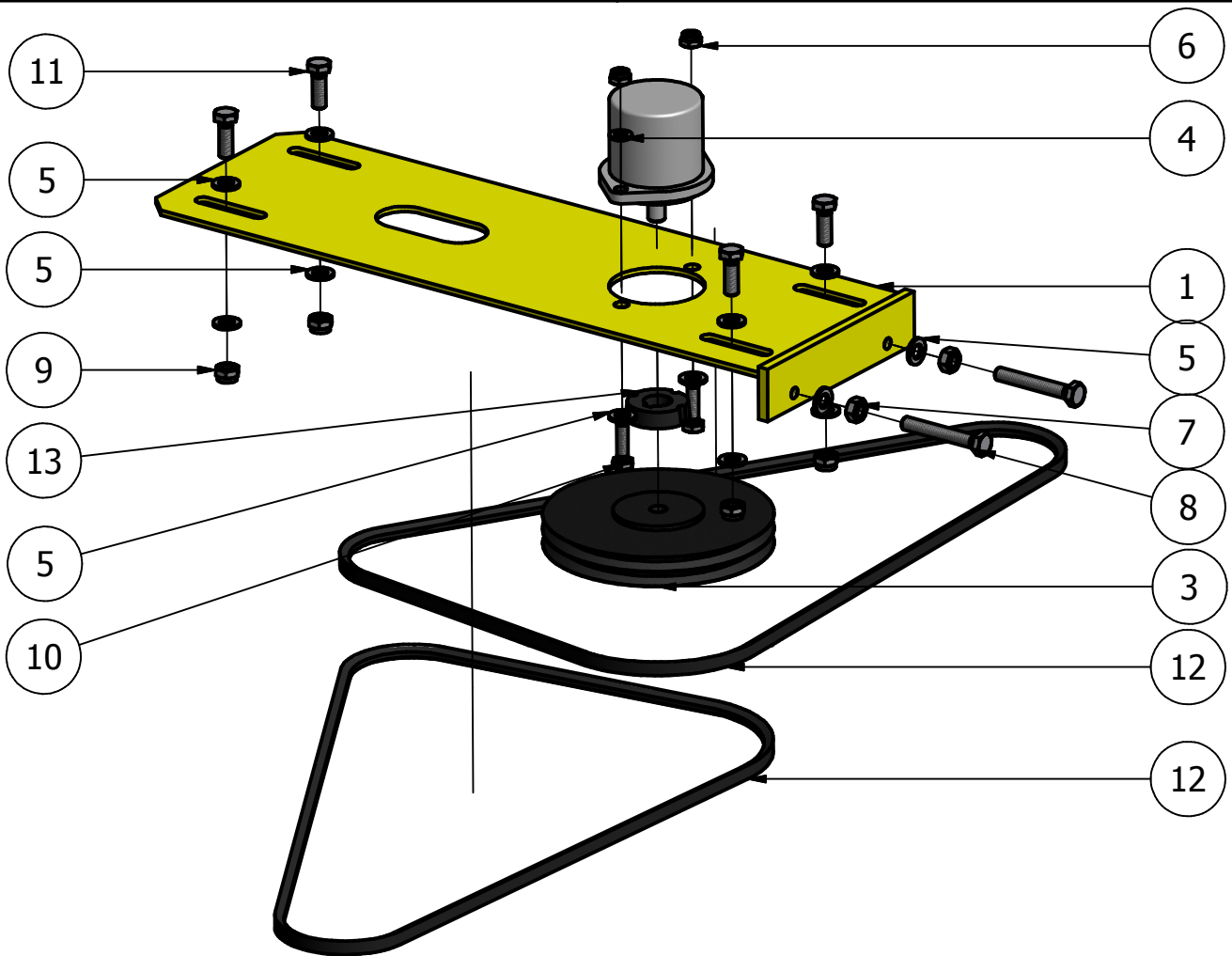
	RM1500/1200 ROTOR ASSEMBLY SIDE		
	RM1500PRO-EV2	Edition	Sheet
	0	1 / 1	



PARTS LIST			
ITEM	QTY	PART NUMBER	DESCRIPTION
1	1	BH600/A	LAGERHUIS RM1500
1A	1	BH600	LAGERHUIS RM1200
2	1	BH607A	BUS RM1500
2A	1	BH607	BUS RM1200
3	1	BH605A	AS RM1500
3A	1	BH605	AS RM1200
4	1	BH610A	SCHIJF RM1500
4A	1	BH610	SCHIJF RM1200
5	1	BH612	MESHOUDER
6	1	BH604	Parallel Key
7	1	BH601	Lubricating Nipple, coned Type A
8	2	BH611/5	MES RM1500
8A	2	BH611/4	MES RM1200
9	1	DIN 933 - M16 x 40	Hex-Head Bolt
10	1	DIN 125 - A 17	Washer
11	1	BH612/2A	POELIE DUBBEL 125/2
12	1	BH603A	Washer A
13	1	BH602	Hex Nuts (Inch Series) Heavy Hex Jam Nut
14	8	DIN 125 - A 13	Washer
15	4	DIN 985 - M12	Hex Nut
16	4	DIN 933 - M12 x 35	Hex-Head Bolt
17	2	BH606	LAGER
18	1	BH612/B	TAPERLOCK

Designed by	Checked by	Approved by	Date	Date
J. v.d Broek	RB	DK	24-1-2011	24-1-2011


	RM1500/1200 ROTOR ASSEMBLY MID		
	RM1500PRO-EV3	Edition	Sheet
	0	1 / 1	



PARTS LIST

ITEM	QTY	PART NUMBER	DESCRIPTION
1	1	BH4038/A	MOTOR OPSPANPLAAT RM1500
1A	1	BH4038	MOTOR OPSPANPLAAT RM1200
2	1	08.785.04	HYDRAULIC MOTOR
3	1	BH4036	POELIE MOTOR
4	2	DIN 125 - A 10,5	Washer
5	12	DIN 125 - A 13	Washer
6	2	DIN 985 - M10	Hex Nut
7	2	DIN 934 - M12	Hex Nut
8	2	DIN 933 - M12 x 80	Hex-Head Bolt
9	4	DIN 985 - M12	Hex Nut
10	2	DIN 933 - M10 x 35	Hex-Head Bolt
11	4	DIN 933 - M12 x 35	Hex-Head Bolt
12	2	BH4040/5	V-SNAAR RM1500
12A	2	BH4040/4	V-SNAAR RM1200
13	1	BH4037	TAPERLOCK

Designed by J. v.d Broek	Checked by RB	Approved by DK	Date 24-1-2011	Date 24-1-2011
-----------------------------	------------------	-------------------	-------------------	-------------------

	MOTOR ASSEMBLY RM1500/1200		
	RM1500PRO-EV4	Edition 0	Sheet 1 / 1