

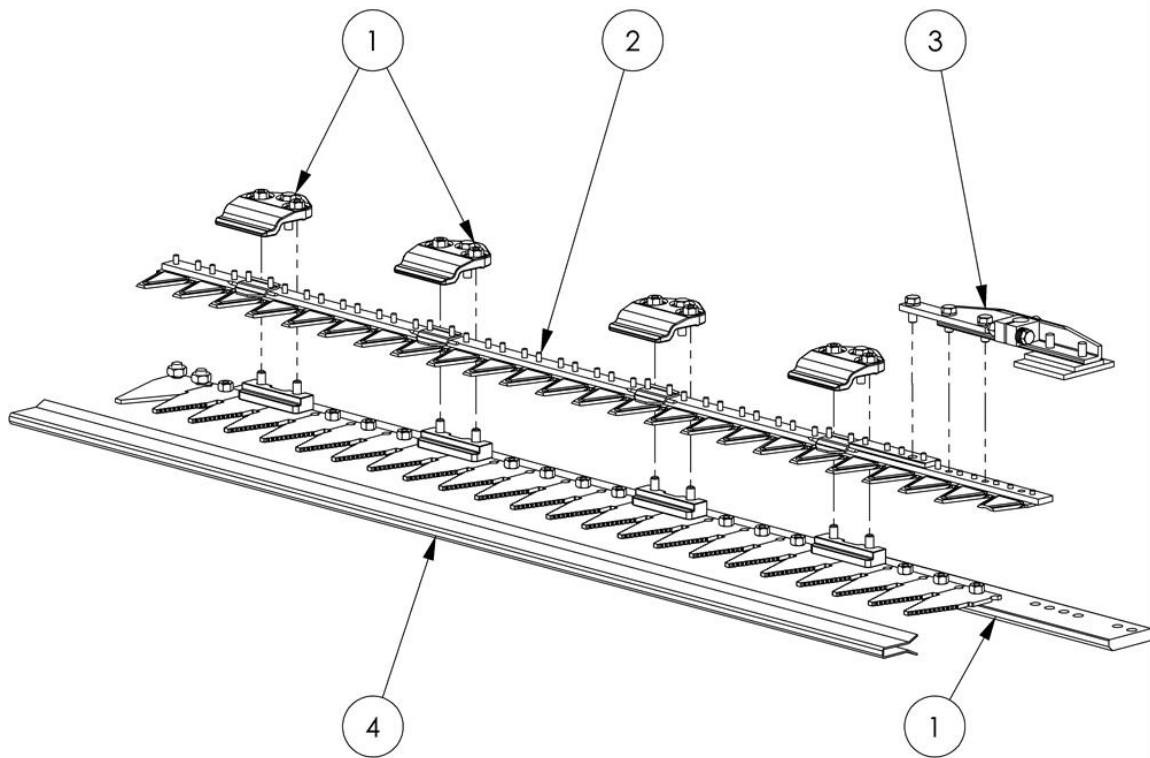
PARTS MANUAL

FOR

SERIAL NO: M2270540

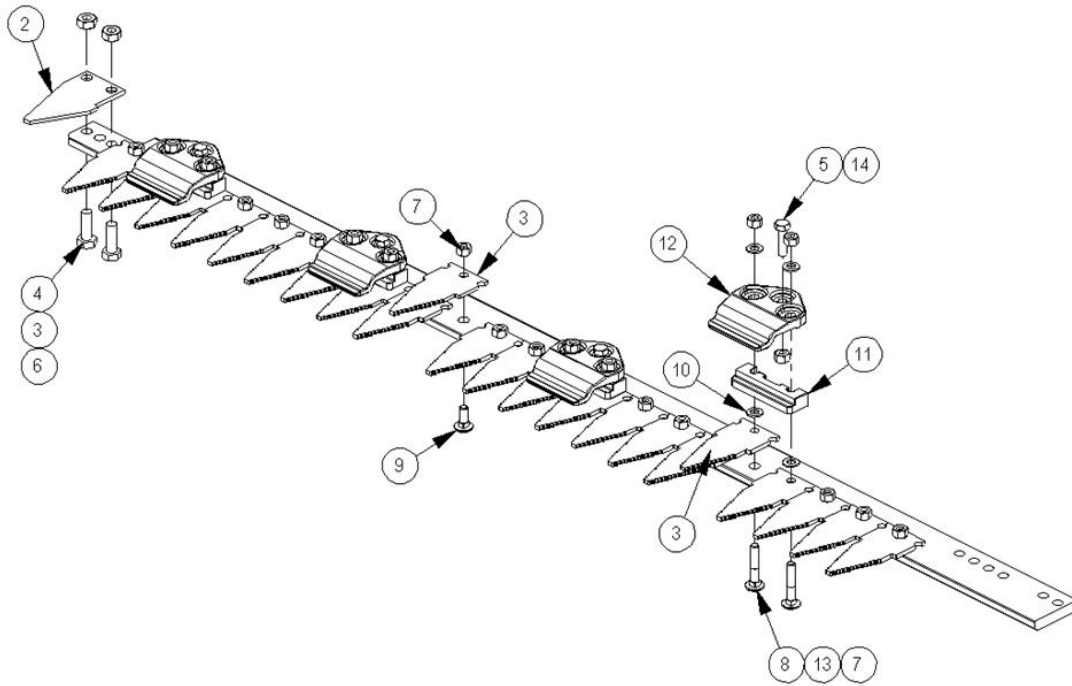
PRINTED ON 21 OCT 2022

~~1090290 - CUTTER BAR~~



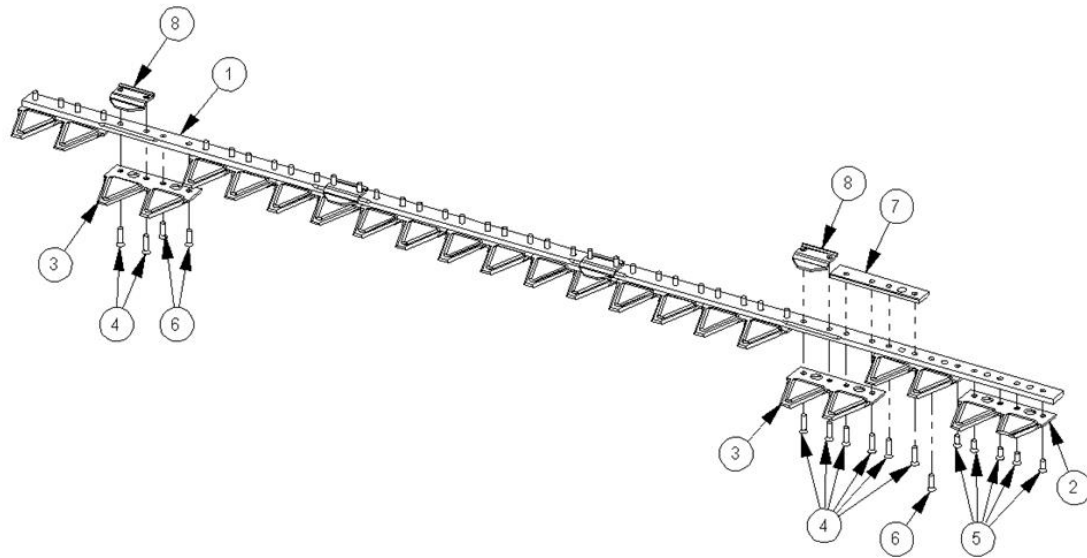
Ref	Part No	Description	QTY
1	1090294	FINGER ASSEMBLY	1
2	1090291	MOWER KNIFE	1
3	1090292	KNIFE HEEL	1
4	1090091	KNIFE GUARD	1

~~1090294 - FINGER ASSEMBLY~~



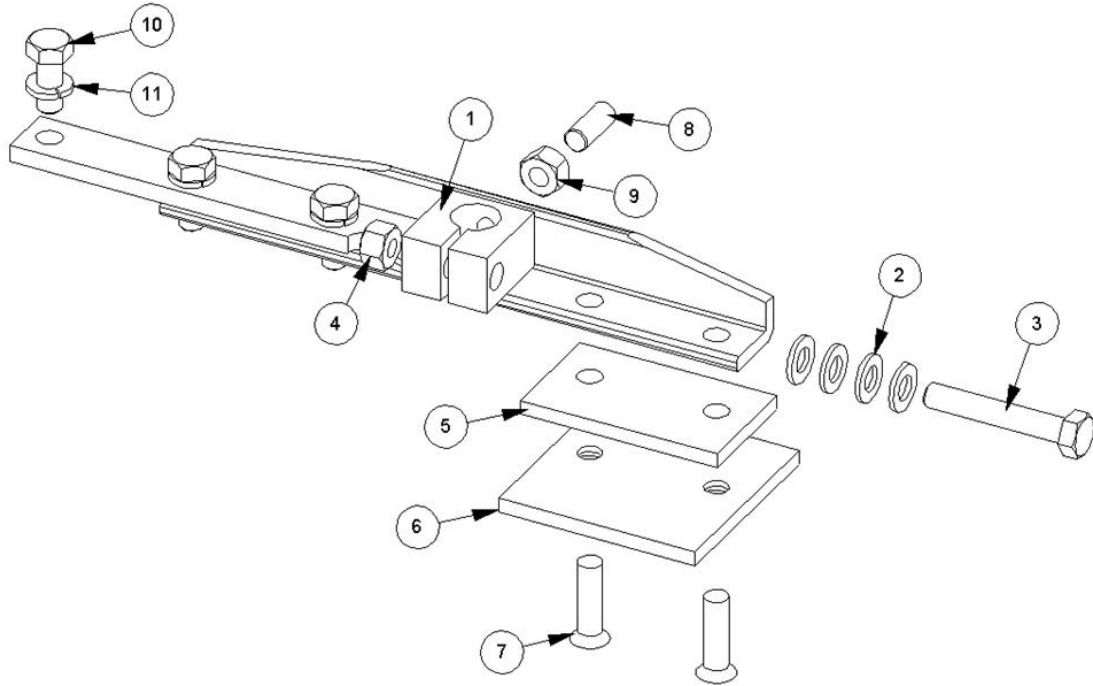
Ref	Part No	Description	QTY
1	1090071	BAR	1
2	1090080	FINGER	1
3	1090072	KNIFE BLADE	22
4	9313065	SCREW	2
5	9313064	SCREW	4
6	9113005	NUT	2
7	9113004	NUT	22
8	1090077	BOLT	8
9	1090073	BOLT	14
10	1090078	WASHER	8
11	1090075	PLATE	4
12	1090074	KNIFE CLIP	4
13	1090079	USE 1090119	8
14	9147004	NUT	4

~~1090291 - MOWER KNIFE~~



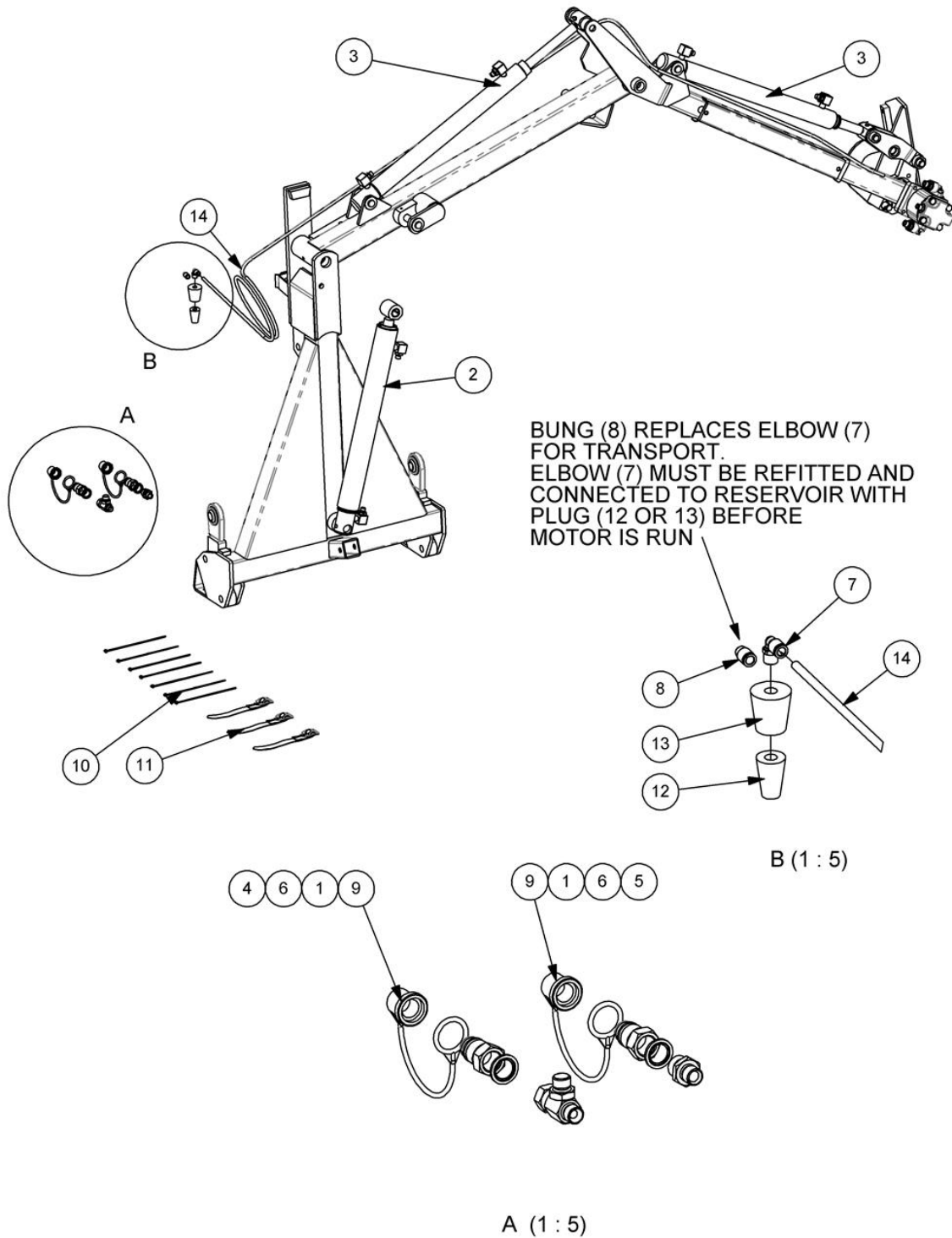
Ref	Part No	Description	QTY
1	1090070	KNIFE BACK	1
2	1090066	KNIFE SECTION	1
3	1090067	KNIFE SECTION	11
4	1090064	RIVET	12
5	1090062	RIVET	5
6	1090063	RIVET	31
7	1090069	REINFORCEMENT	1
8	1090068	PLATE	4

~~1090292 - KNIFE HEEL~~



Ref	Part No	Description	QTY
1	1090081	USE 1090292	1
2	1090119	WASHER	4
3	9213104	BOLT	1
4	9163004	NUT	1
5	1090083	PLATE	1
6	1090082	PLATE	1
7	1090084	RIVET	2
8	9363044	SCREW	1
9	9113004	NUT	1
10	9313044	SCREW	3
11	9100204	WASHER	3

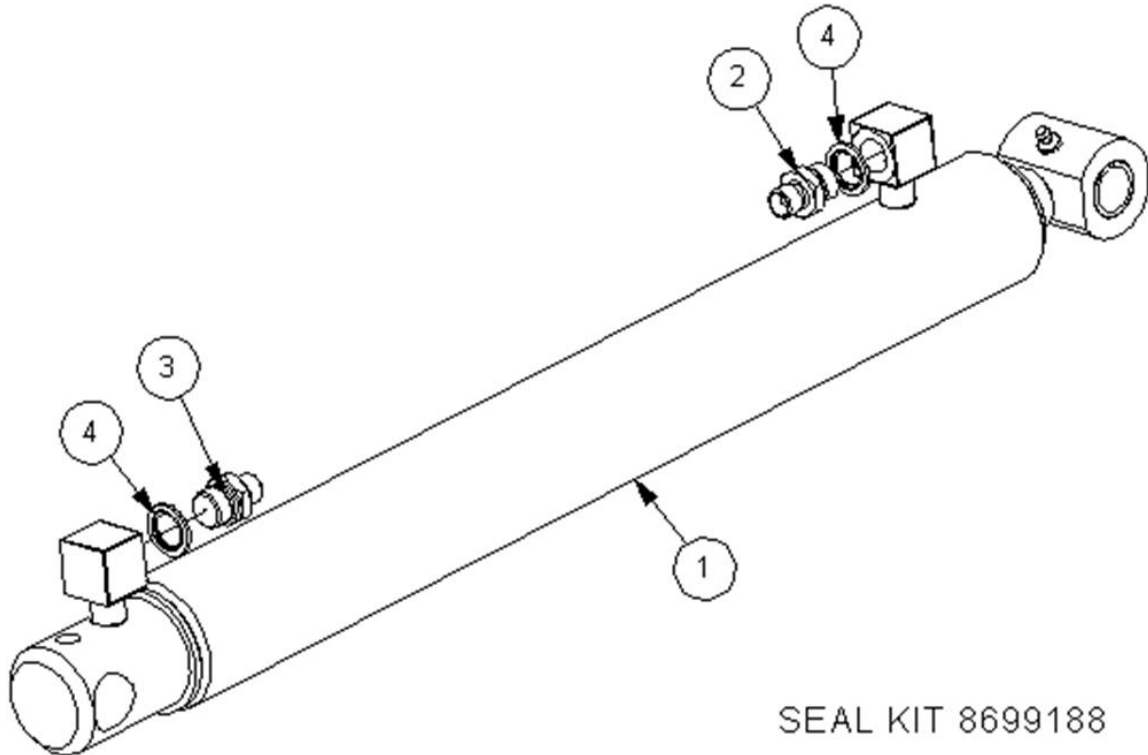
1090387 - HYD INST



Ref	Part No	Description	QTY
1	8590074	COUPLING	2
2	1090305	RAM	1
3	1090302	RAM	2
4	11.068.69	ADAPTOR	1
5	6000112	ADAPTOR	2
6	8650104	SEAL	2
7	8581329	ADAPTOR	1

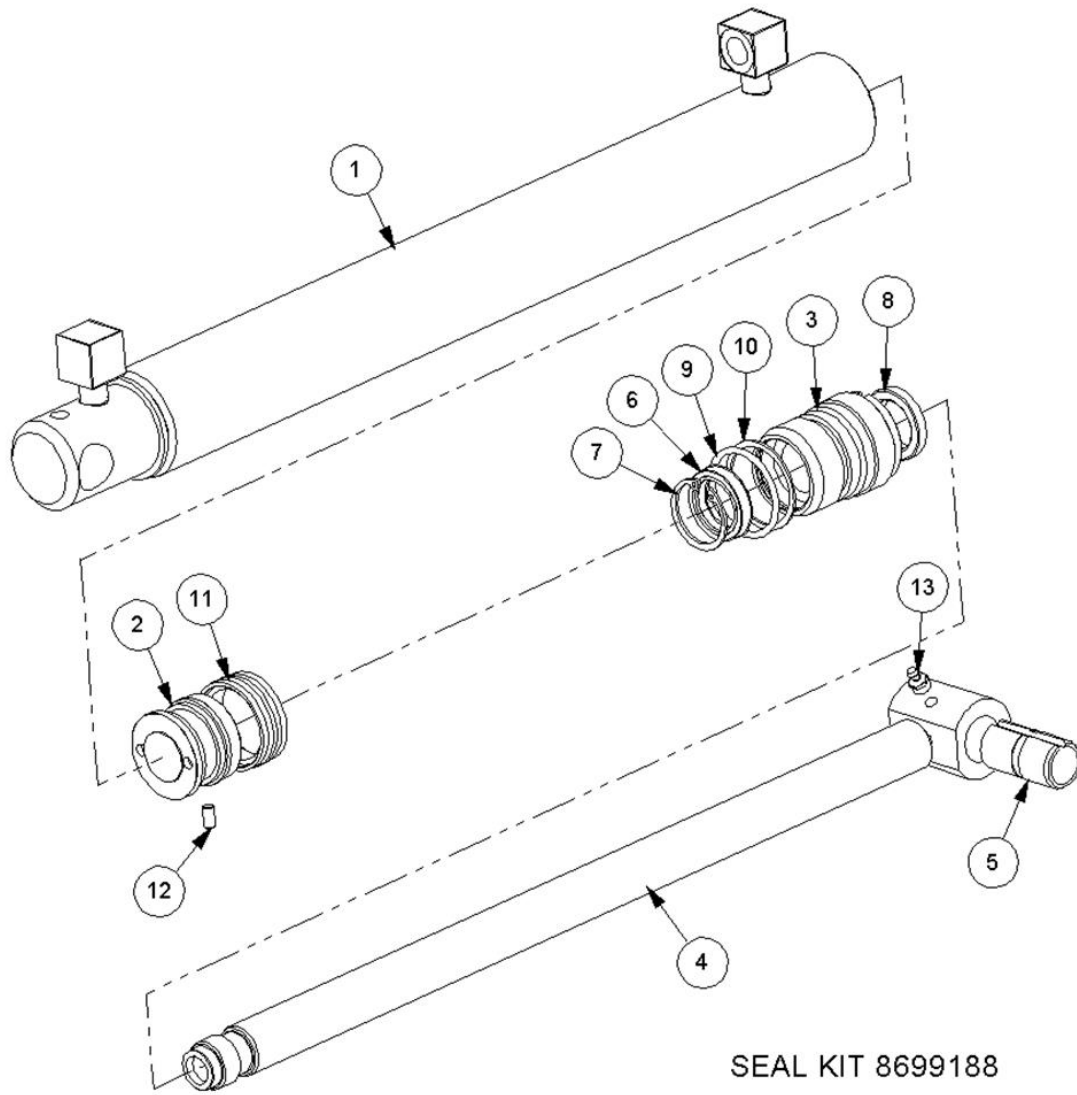
Ref	Part No	Description	QTY
8	8581585	PLUG	1
9	8002108	CAP	2
10	7135084	HOSE TIE	7
11	7106187	STRAP	3
12	1090093	ADAPTOR	1
13	1090092	ADAPTOR	1
14	8501148	HOSE	1
15	00900913	SLEEVING	800

1090305 - RAM



Ref	Part No	Description	QTY
1	1090274	RAM	1
1	1090274P	RAM	0
2	8581115	ADAPTOR	1
2	8699188	SEAL KIT	0
3	8130068	RESTRICTOR	1
4	8650103	SEAL	2

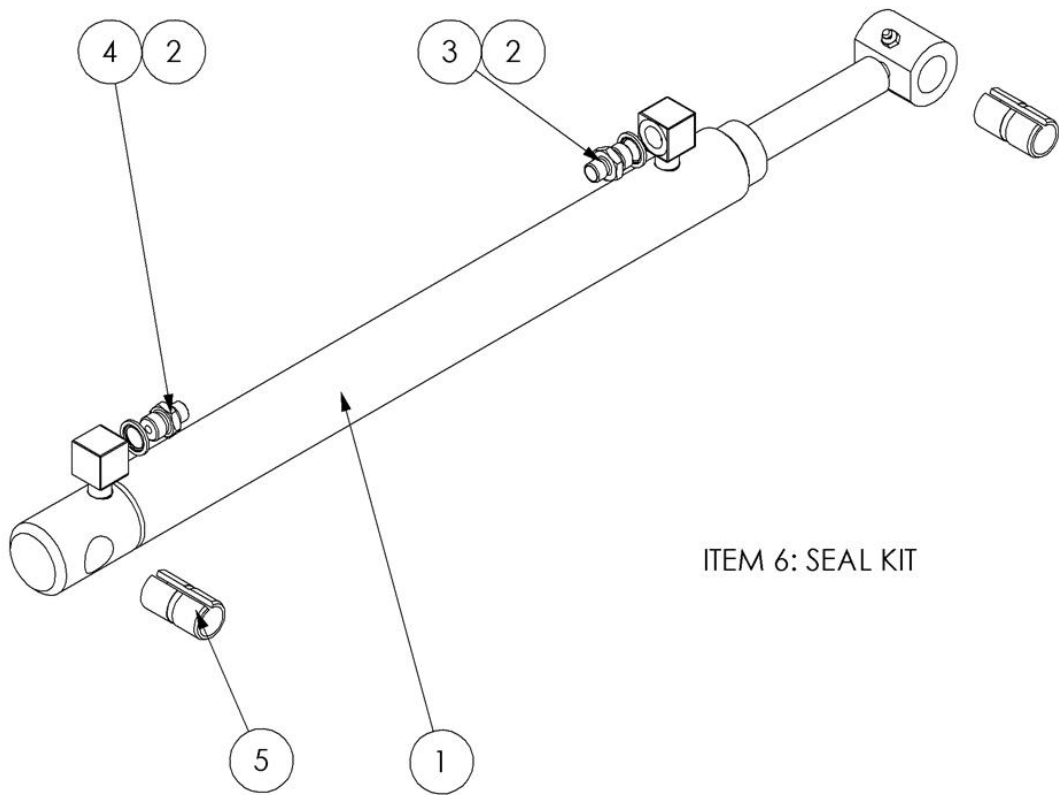
1090274 - RAM



SEAL KIT 8699188

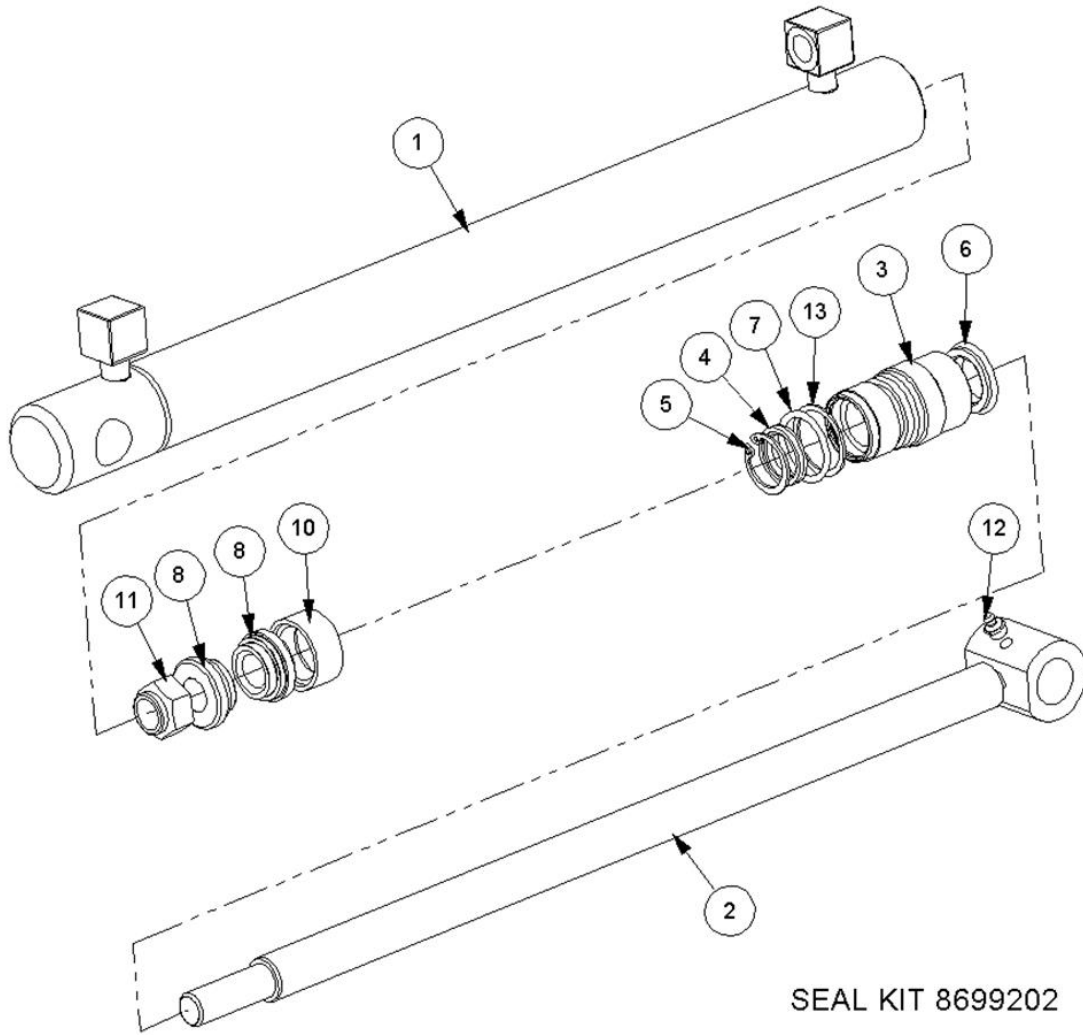
Ref	Part No	Description	QTY
1	1090275	CYLINDER 0 50 B	1
2	7135008	PISTON	1
3	7135291	HOUSING	1
4	1090122	PISTON ROD	1
5	1130002	BUSH	1
6	8629148	SEAL	1
7	0416240	CIRCLIP	1
8	8629149	SCRAPER RING	1
9	8600302	"O" RING	1
10	8609302	ANTI.EXT.RING	1
11	8638788	SEAL	1
12	9363023	SCREW	1
13	0901121	GREASER	1
14	8699188	SEAL KIT	0

1090302 - RAM



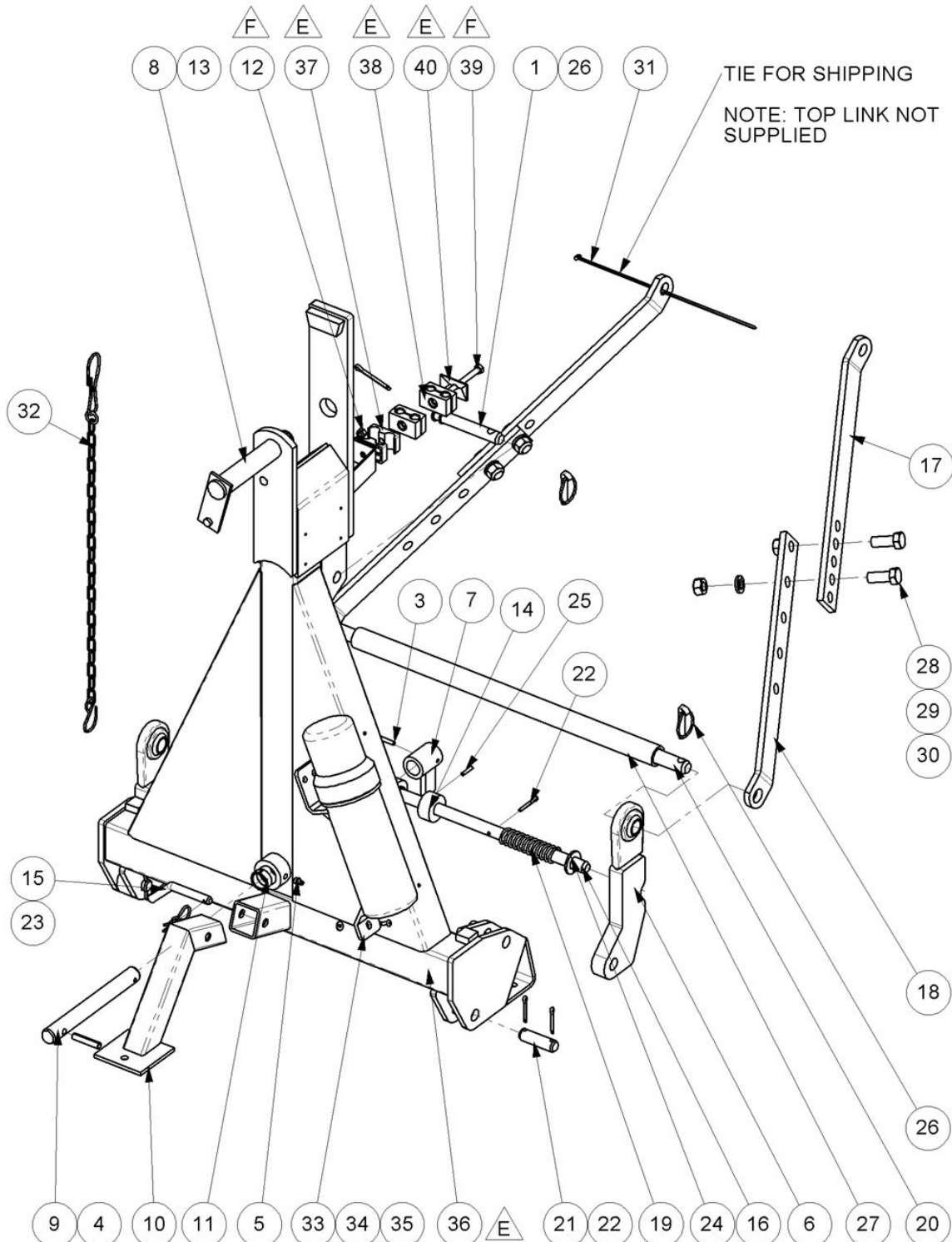
Ref	Part No	Description	QTY
1	1090271	RAM	1
1	1090271P	RAM -PAINTED	0
2	8650103	SEAL	2
3	8130068	RESTRICTOR	1
4	8581145	UNION	1
5	1130002	BUSH	2
6	8699202	SEAL KIT	0

1090271 - RAM



Ref	Part No	Description	QTY
1	1090272	BARREL (RECON)	1
1	8699202	SEAL KIT	0
2	1090031	PISTON ROD	1
3	1090273	HOUSING	1
4	8629162	SEAL	1
5	0411234	CIRCLIP	1
6	8629161	SEAL	1
7	8600124	O-RING	1
8	1130034	PISTON	2
9	8600112	O RING	1
10	8629160	SEAL	1
11	0141007	NUT	1
12	0901121	GREASER	1
13	8609124	AE RING	1

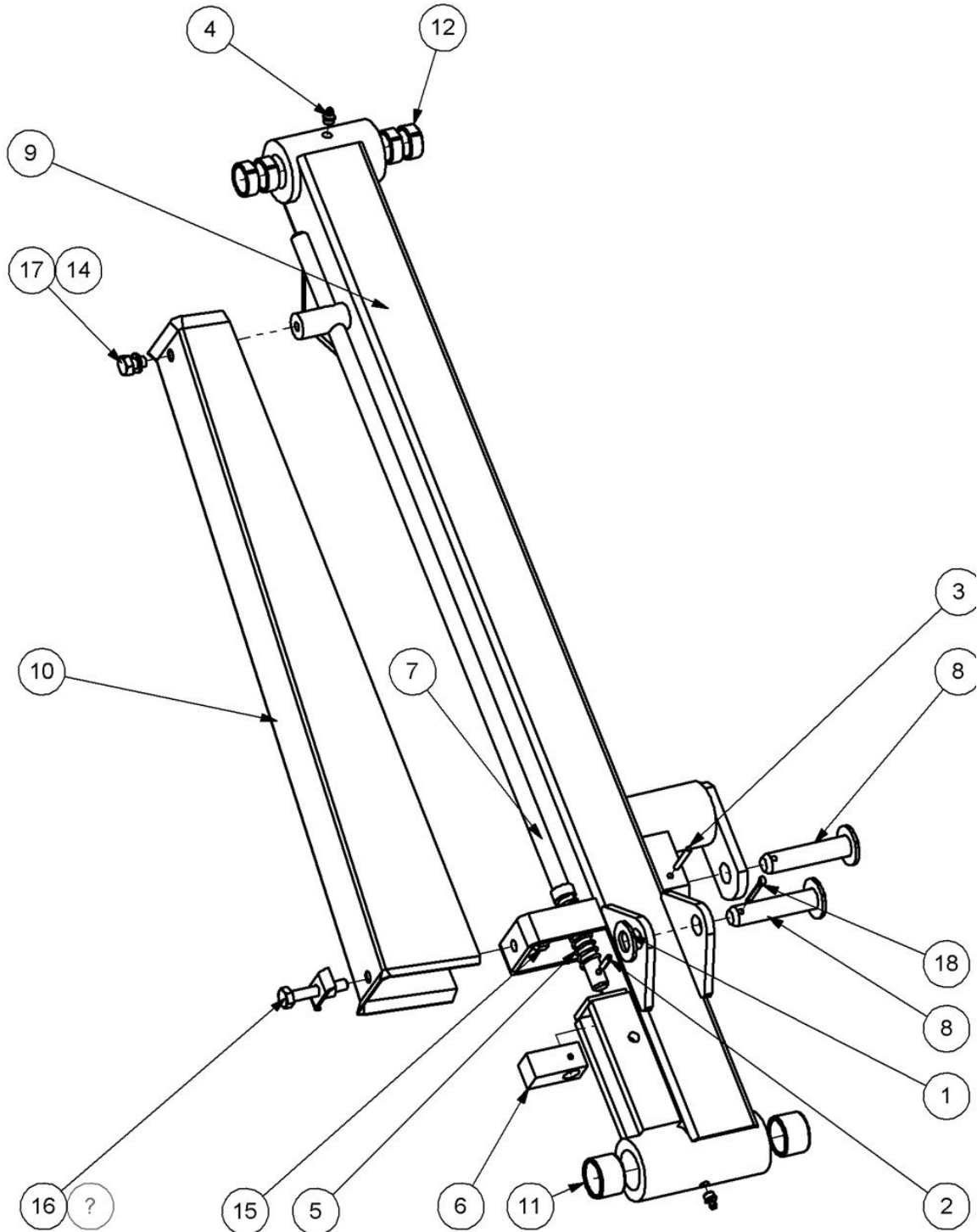
1090700 - RM MAINFRAME MODULE



Ref	Part No	Description	QTY
1	T1657	PIN - LINKAGE	1
3	0425640	PIN	1
4	0428150	PIN	1
5	0901121	GREASER	2
6	1090022	LINK	2

Ref	Part No	Description	QTY
7	1090039	LEVER -INTLK	1
8	1090042	PIN	1
9	1090044	PIN	1
10	1090263	STAND	1
11	7012037	BUSH	4
12	9163004	NUT	1
13	9501507	PIN	1
14	1090024	SLEEVE	2
15	1090051	PIN	1
16	1090264	INTERLOCK BAR	1
17	1090269	STABILIZER	2
18	1090270	STABILIZER	2
19	1090050	SPRING	2
20	1090025	BAR	1
21	1090023	PIN	2
22	9501326	PIN	6
23	0431104	PIN	1
24	0100107	WASHER	2
25	0425525	PIN	1
26	0431217	LINCH PIN	3
27	1090384	TUBE	1
28	9313087	SCREW	4
29	9100207	WASHER	4
30	9113007	NUT	4
31	7196045	HOSE TIE	1
32	1090045	CHAIN	1
33	46505.01	HOLDER	1
34	21612.02	RIVET	2
35	22530.01	WASHER	2
36	1090734	MAIN FRAME	1
37	06.430.04	DOUBLE HOSE CLAMP	2
38	7193065	HOSE CLAMP	2
39	9213224	BOLT	1
40	7193066	PLATE	1

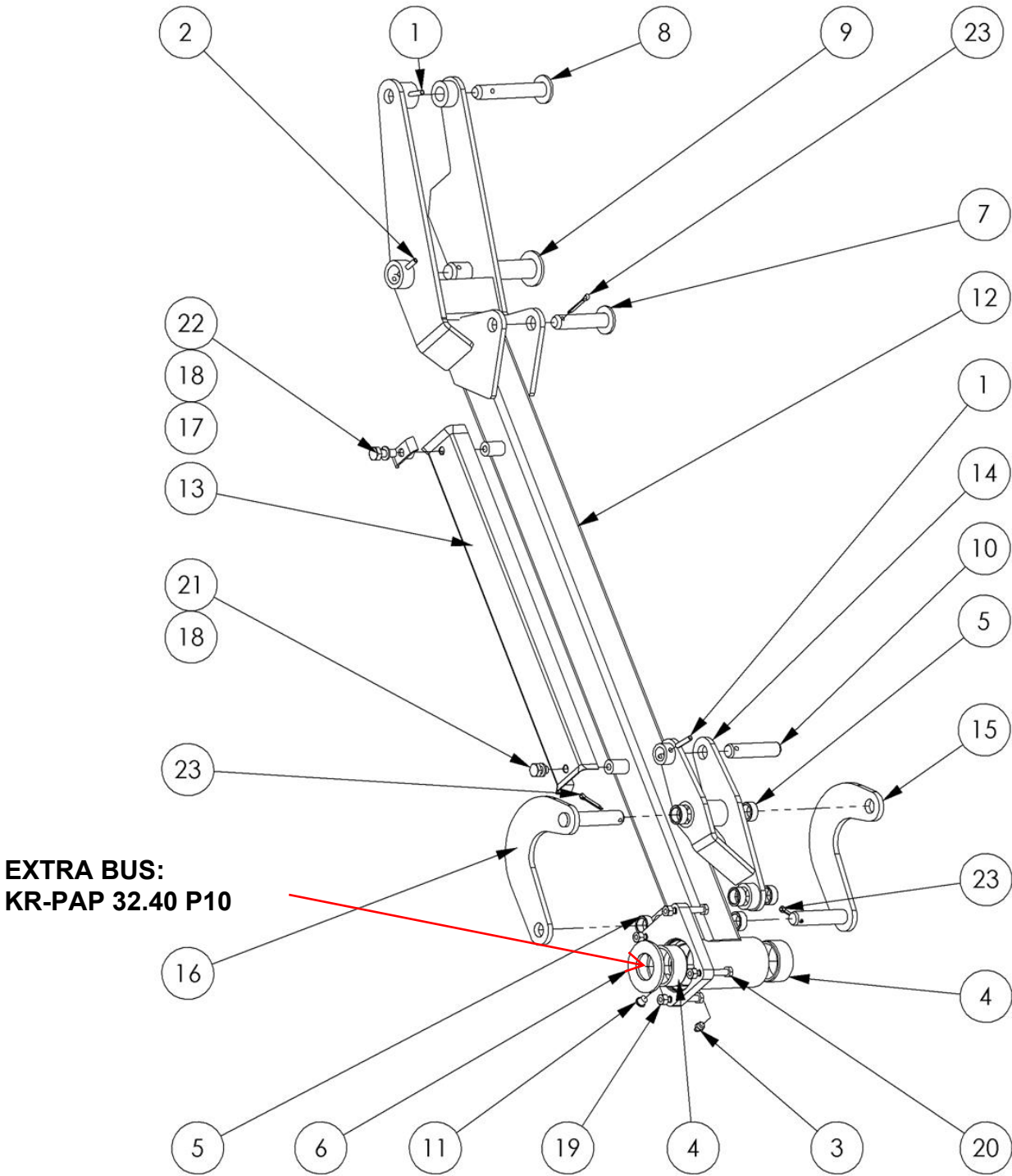
1090702 - MAIN ARM MODULE



Ref	Part No	Description	QTY
1	0100107	WASHER	1
2	0425522	PIN	1
3	0425540	PIN	1
4	0901121	GREASER	2
5	1090003	SPRING	1
6	1090040	INTERLOCK BLOCK	1
7	1090041	INTERLOCK BAR	1
8	1090043	PIN	2

Ref	Part No	Description	QTY
9	1090262	MAIN ARM WDMT	1
10	1090283	GUARD	1
11	6012032	BUSH	2
12	7012037	BUSH	4
13	7114076	CLAMP	1
14	9100205	WASHER	1
15	9163005	NUT	1
16	9213125	BOLT	1
17	9313035	SCREW	1
18	9501326	PIN	1

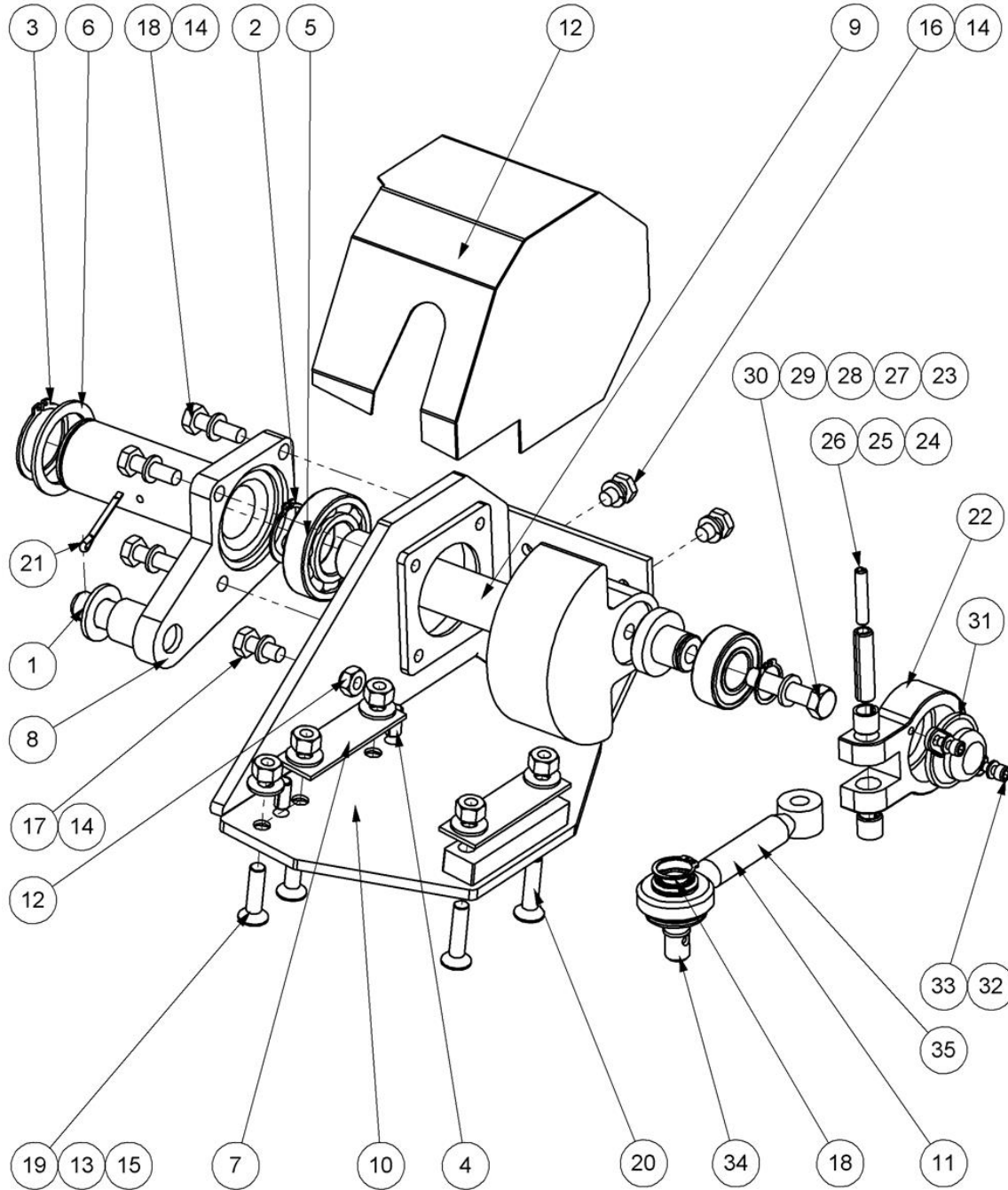
1090703 - DIPPER ARM MODULE



Ref	Part No	Description	QTY
1	0425630	PIN	2
2	0425640	PIN	1
3	0901121	GREASER	1
4	1090001	BEARING	2
5	1090002	BUSH	6
6	1090038	LOCATING RING	1

Ref	Part No	Description	QTY
7	1090043	PIN	1
8	1090046	PIN	1
9	1090047	PIN	1
10	1090048	PIN	1
11	1090103	PLUG	1
12	1090265	ARM	1
13	1090282	GUARD	1
14	1090279	SLAVE LINK	1
15	1090280	RADIUS ARM	1
16	1090281	RADIUS ARM	1
17	7114076	CLAMP	1
18	9100205	WASHER	2
19	9163004	NUT	4
20	9213104	BOLT	4
21	9313035	SCREW	1
22	9313065	SCREW	1
23	9501326	PIN	3

~~1090704 - CUT BAR MOUNT~~ MODULE

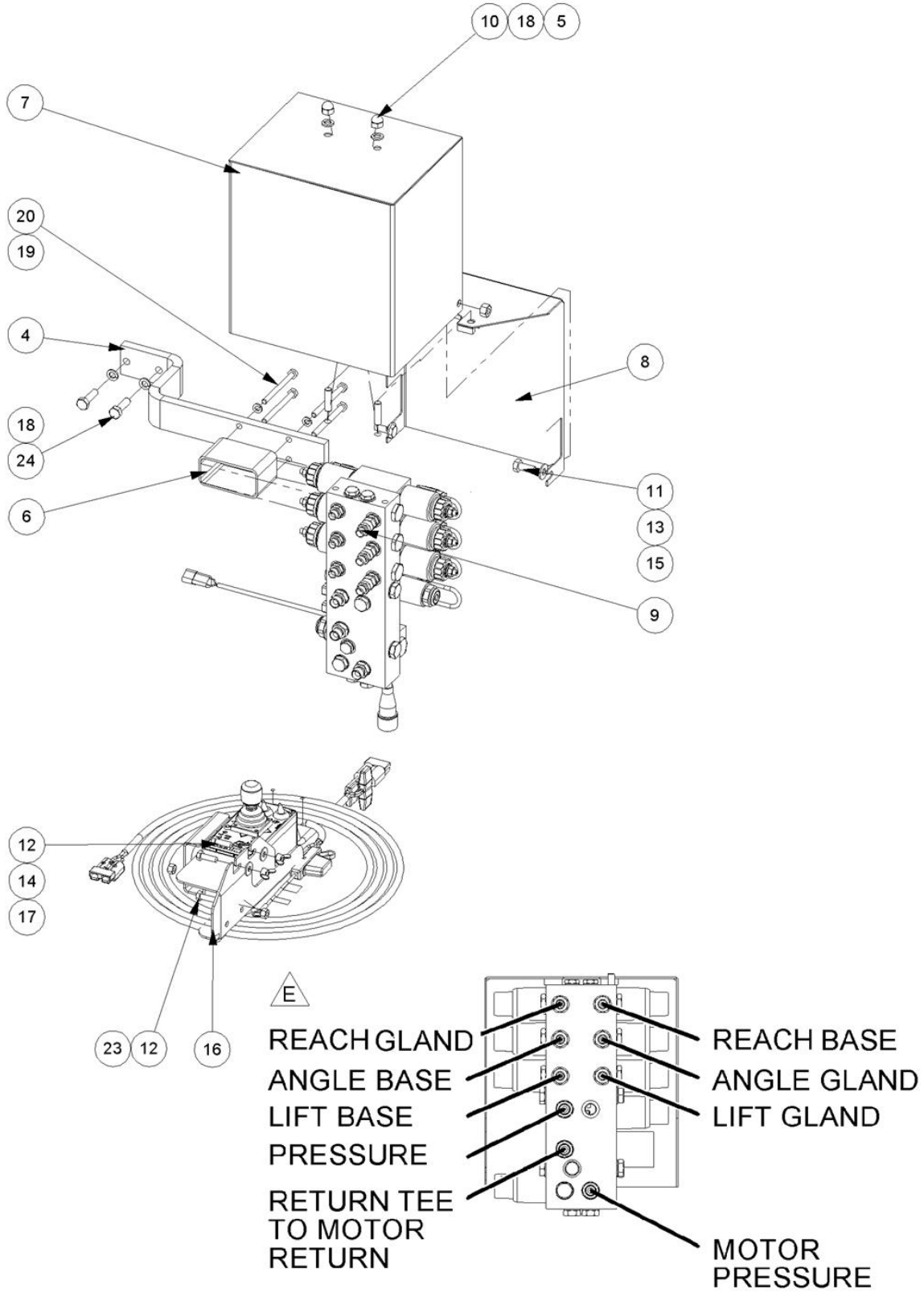


NOTE: ITEM 11 REPRESENTS THE FULL CONNECTING ROD ASSEMBLY. ITEMS 22 TO 35 ARE ITS CONSTITUENT PARTS

Ref	Part No	Description	QTY

Ref	Part No	Description	QTY
8	CO-AD.MCO.006	Aanbouw kit voor HS75	1

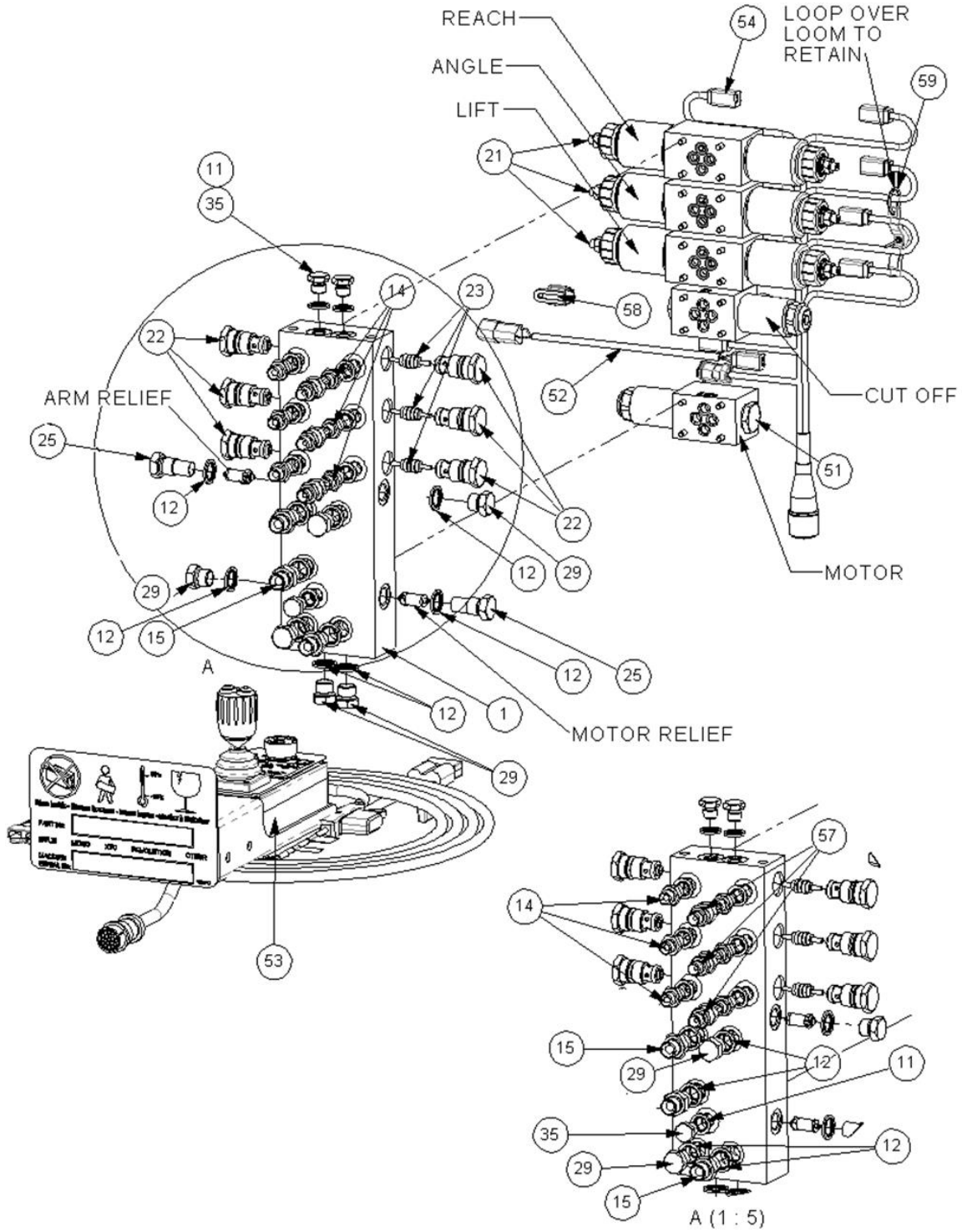
1090713 - PROP XTC CNTRL MODUL



Ref	Part No	Description	QTY
4	43087.01	FLAT	1
5	04.282.56	STUD	2

Ref	Part No	Description	QTY
6	43124.01	SPACER	1
7	43086.01	COVER	1
8	43086.03	PLATE	1
9	1090360	SOL.MANIFOLD	1
10	9100025	NUT	2
11	9313055	SCREW	2
12	9313054	SCREW	4
13	9100105	WASHER	2
14	9100104	WASHER	2
15	9163005	NUT	2
16	42491.01	PLATE	1
17	9193004	NUT	2
18	9100205	WASHER	4
19	9100204	WASHER	4
20	9213184	BOLT	4
23	9163004	NUT	2
24	9313075	SCREW	2

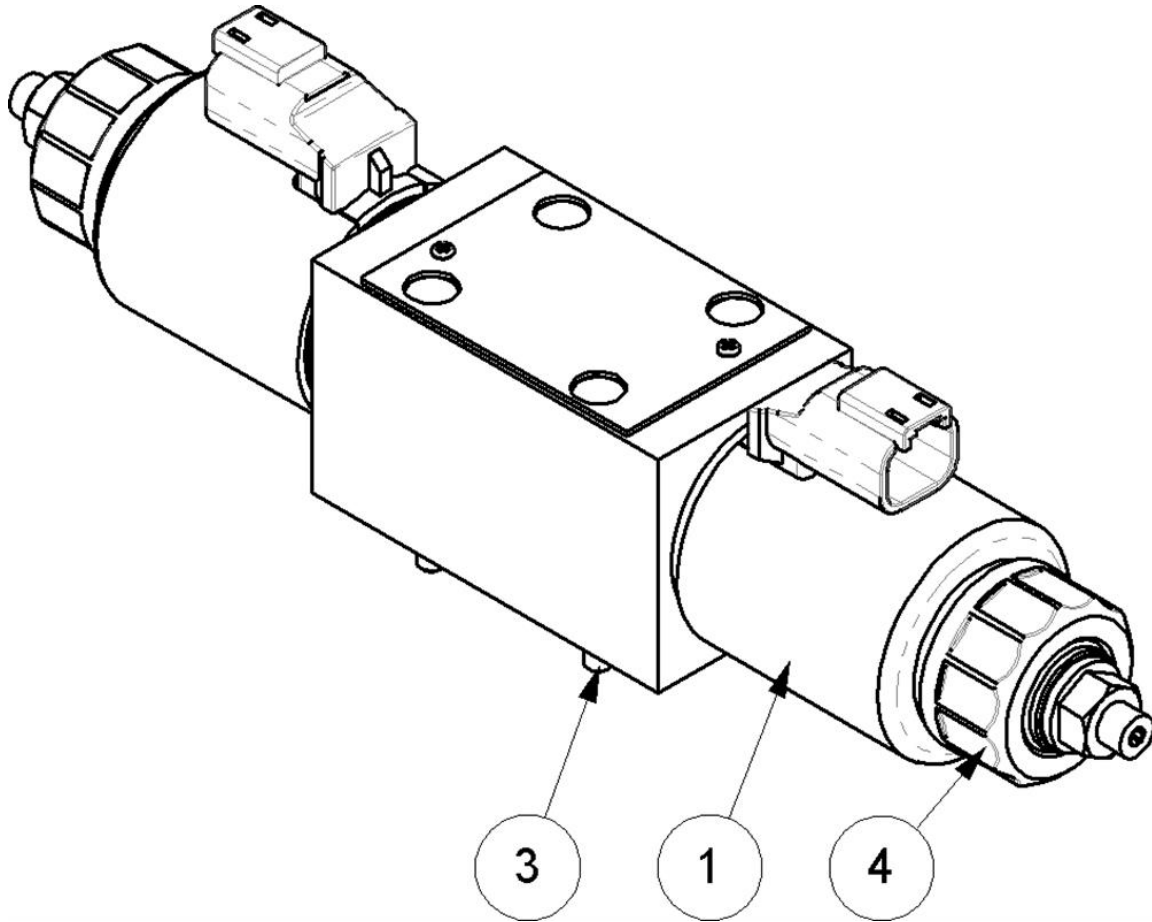
1090360 - SOL.MANIFOLD



Ref	Part No	Description	QTY
1	8132276	BLOCK	1
11	8650102	SEAL	9
12	8650103	SEAL	11
14	8130103	RESTRICTOR	6
15	6000113	ADAPTOR	4
21	23550.11	PROP DCV	3
22	23550.18	TOOL - MANUAL SOL. OPERATION	1
22	8130090	VALVE	6

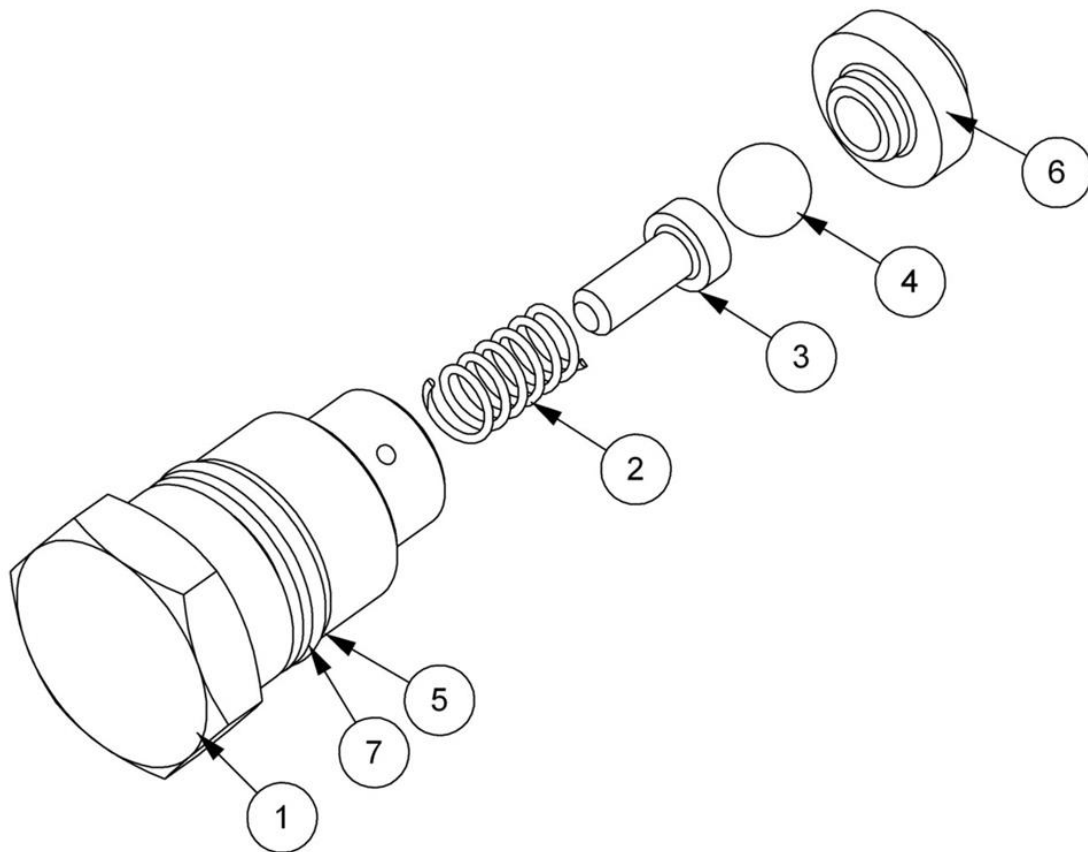
Ref	Part No	Description	QTY
23	8130087	ACTUATOR	3
25	8130032	CAP	2
29	05.433.01	ADAPTOR	6
35	520378	ADAPTOR	3
39	8130142	VALVE	2
51	23550.13	VALVE	2
52	41844.39	LOOM MOTOR CONTROL 200MM	1
53	23880.01	MINI CONTROLS COMES WITH POWER	1
54	41844.27	LOOM 14 CORE 19WAY PLUG DT	1
57	8581309	ADAPTOR	3
58	45594.41	SEALING CAP	1

23550.11 - PROP DCV



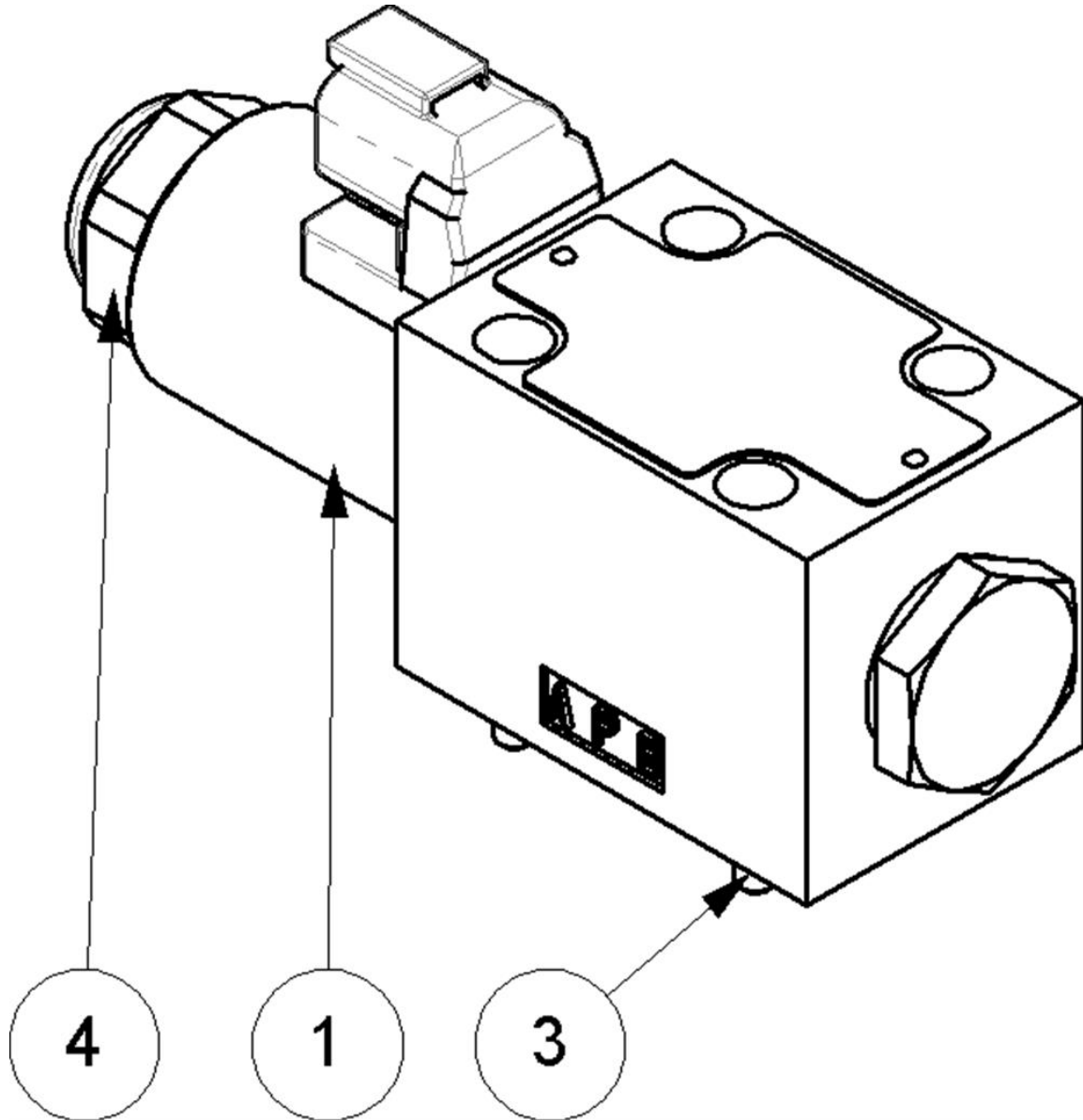
Ref	Part No	Description	QTY
1	23550.37	PROP COIL	2
2	23550.32	SEAL KIT	1
3	9200076	CAP SCREW	4
4	23550.35	COIL NUT	2

8130090 - VALVE



Ref	Part No	Description	QTY
1	8130025	CAP	1
2	8114045	SPRING	1
3	8130089	GUIDE	1
4	0905509	BALL	1
5	8700644	"O" RING	1
6	8130088	SEAT	1
7	8709644	ANTI.EXT.RING	1

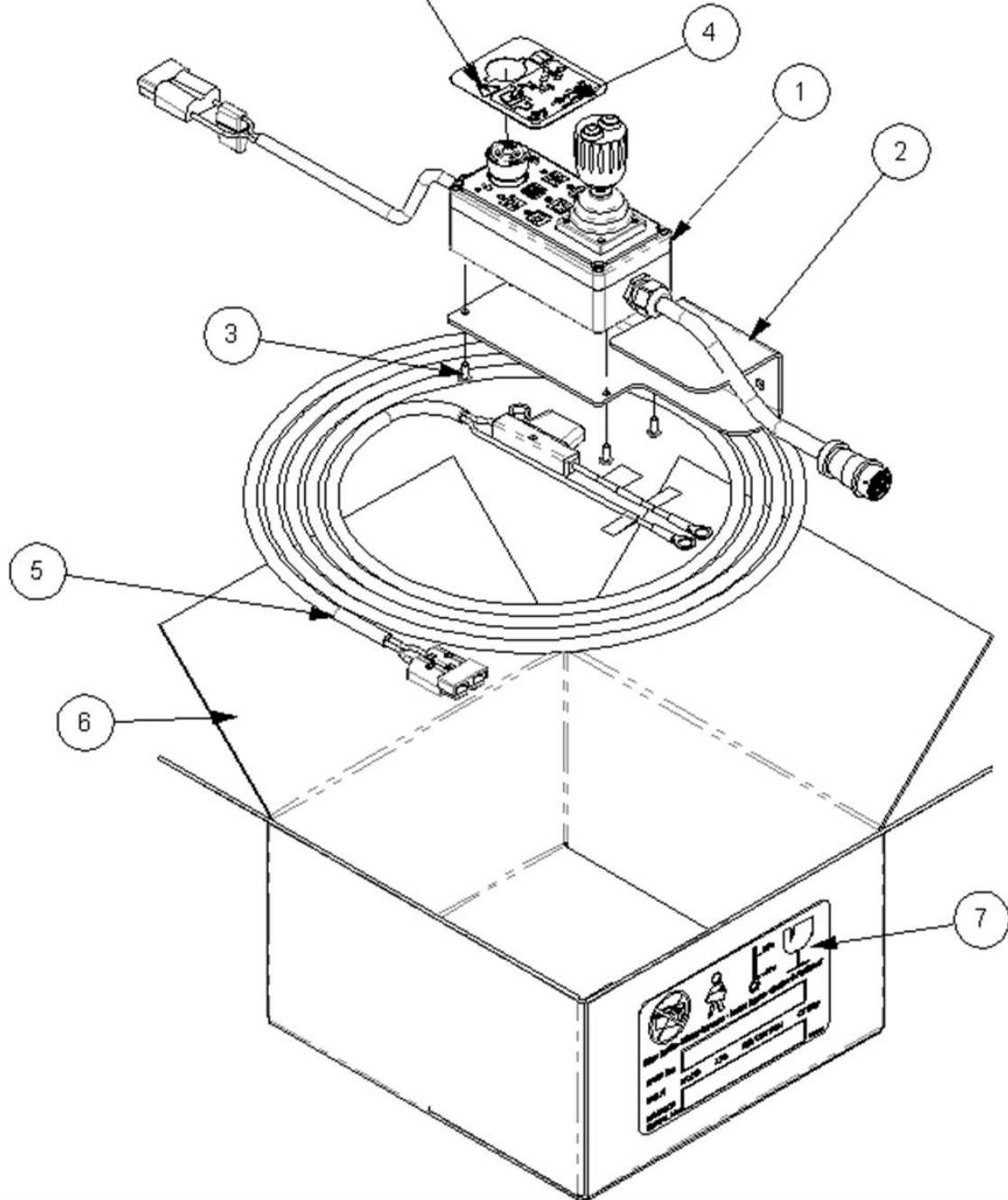
23550.13 - VALVE



Ref	Part No	Description	QTY
1	23550.38	COIL	1
2	23550.34	SEAL KIT	1
3	9200077	CAP SCREW	4
4	23550.36	COIL NUT	1

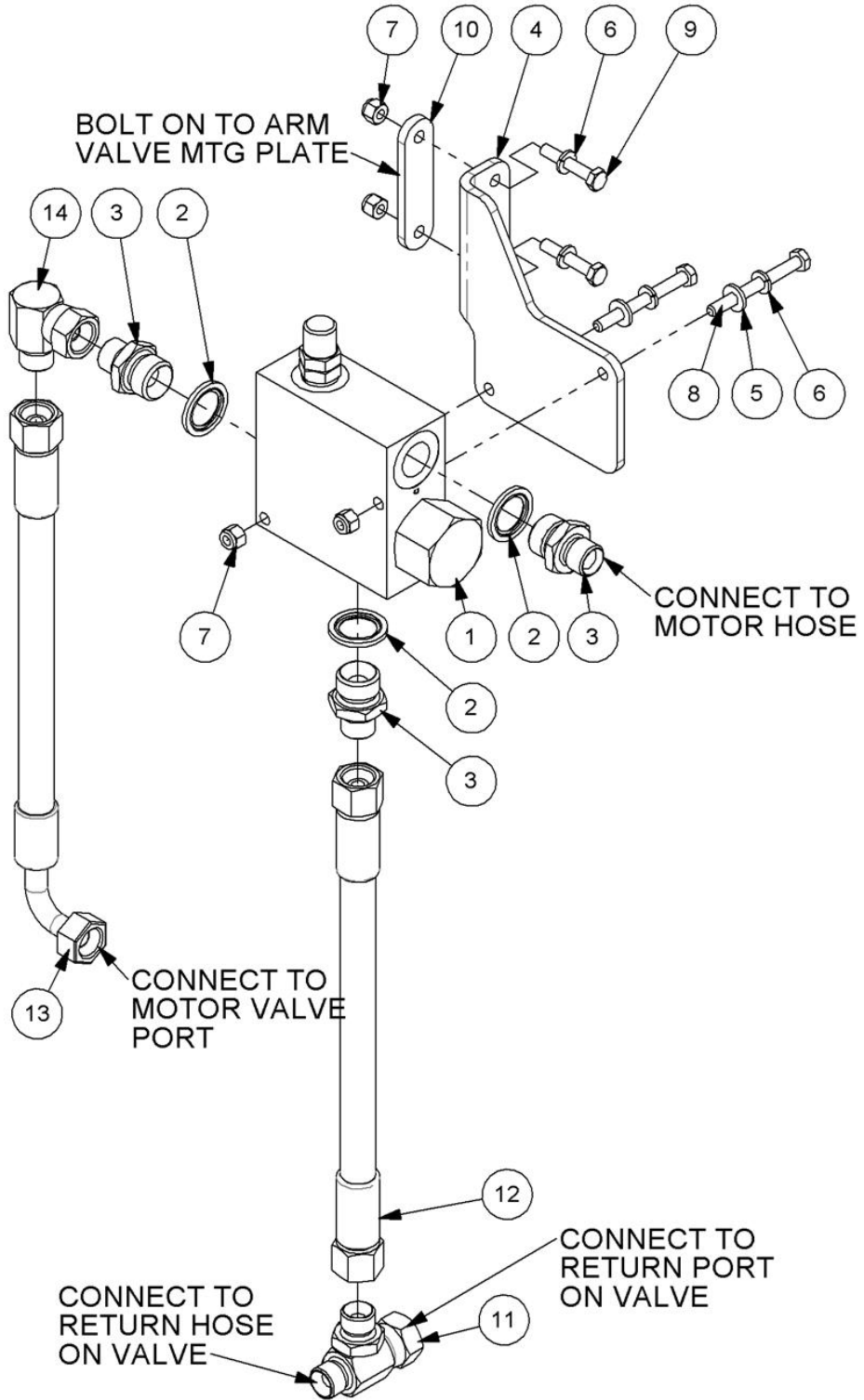
23880.01 - MINI CONTROLS COMES WITH POWER

FIT DECAL OVER E STOP



Ref	Part No	Description	QTY
1	23880.11	MINI CONTROLS	1
2	42442.04	MINI MOTION CONTROLS BRACKET	1
3	2800243	SCREW	4
4	1291169	OPERATIONAL DECAL	1
5	8402237	LOOM	1
6	8402701	BOX	1
7	1290717	DECAL	1

1090717 - S.TRIM FLOW KIT



FLOW CONTROL VALVE IS PRE-SET
TO CONTROL MOTOR FLOW:

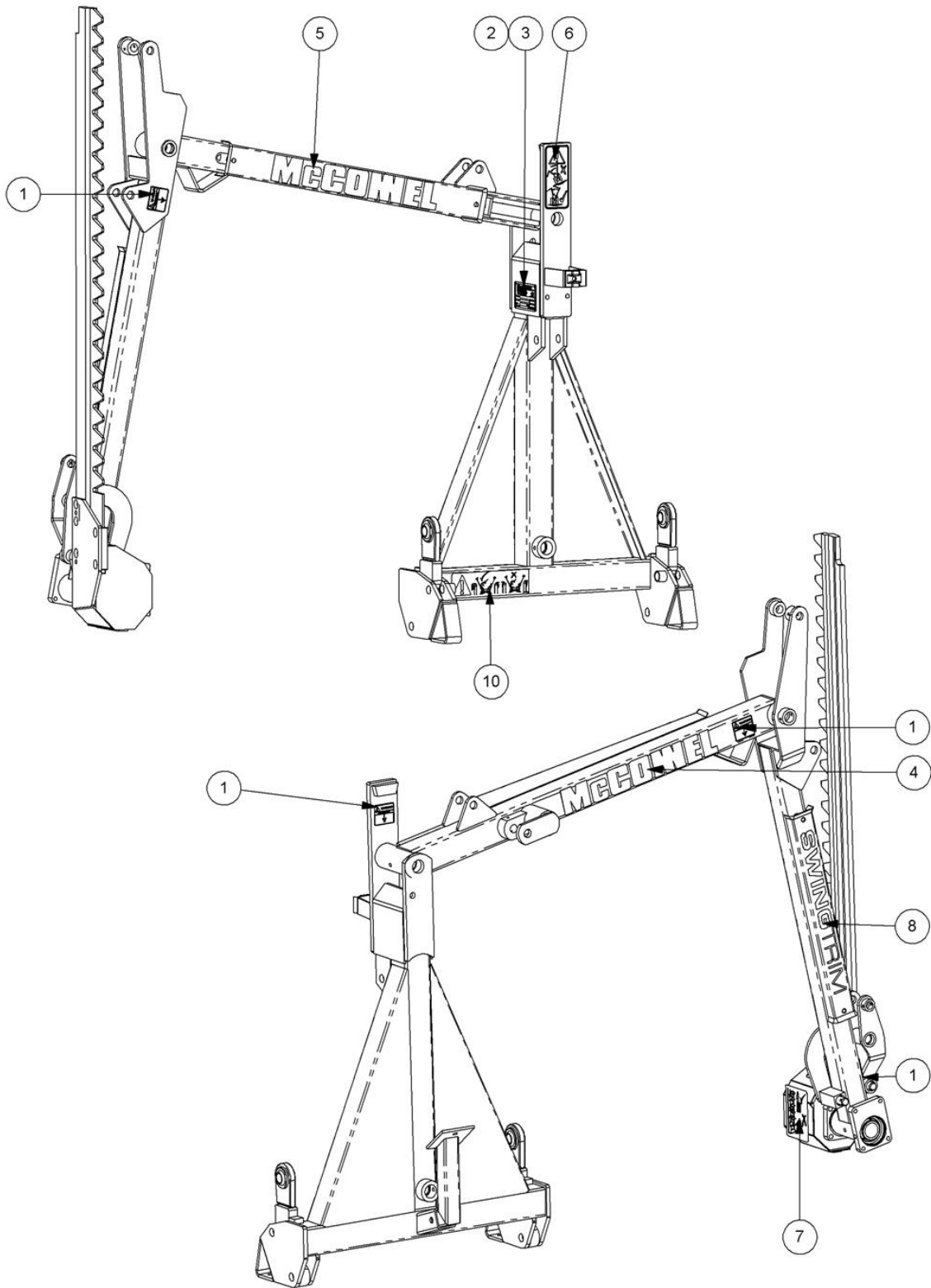
LOW FLOW MOTOR ONLY
10.6 ±1.0 LPM OR
2.94 US GALL/MIN

TO GIVE A CUTTER SPEED
OF 1080RPM - CHECK MOTOR
SPEED TO AVOID DAMAGING
CUTTERBAR.
800MIN - 1200MAX RPM

Ref	Part No	Description	QTY
-----	---------	-------------	-----

Ref	Part No	Description	QTY
1	KR-VPR3EP-10-001	VALVE	1
2	8650104	SEAL	3
3	05.123.01	ADAPTOR	3
4	1090157	PLATE	1
5	9100103	WASHER	2
6	9100203	WASHER	4
7	9163003	NUT	4
8	9213123	BOLT	2
9	9213073	BOLT	2
10	1090158	PLATE	1
11	11.068.69	ADAPTOR	1
12	10.003.12	HOSE	1
13	10.004.10	HOSE	1
14	05.835.01	ADAPTOR	1

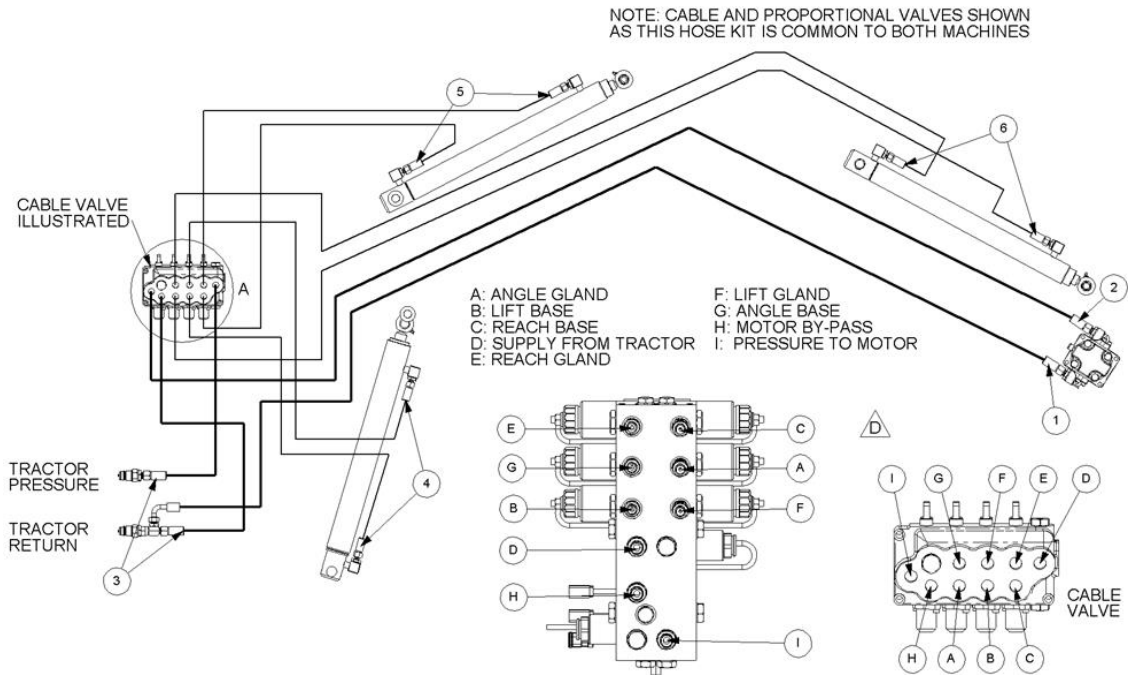
1090721 - DECAL MODULE



Ref	Part No	Description	QTY
1	02962764	DECAL	4
2	7103230	RIVET	4
3	1335246	SERIAL No. PLATE	1
4	1290614	DECAL	1
5	1290255	DECAL	1
6	1290004	DECAL	1

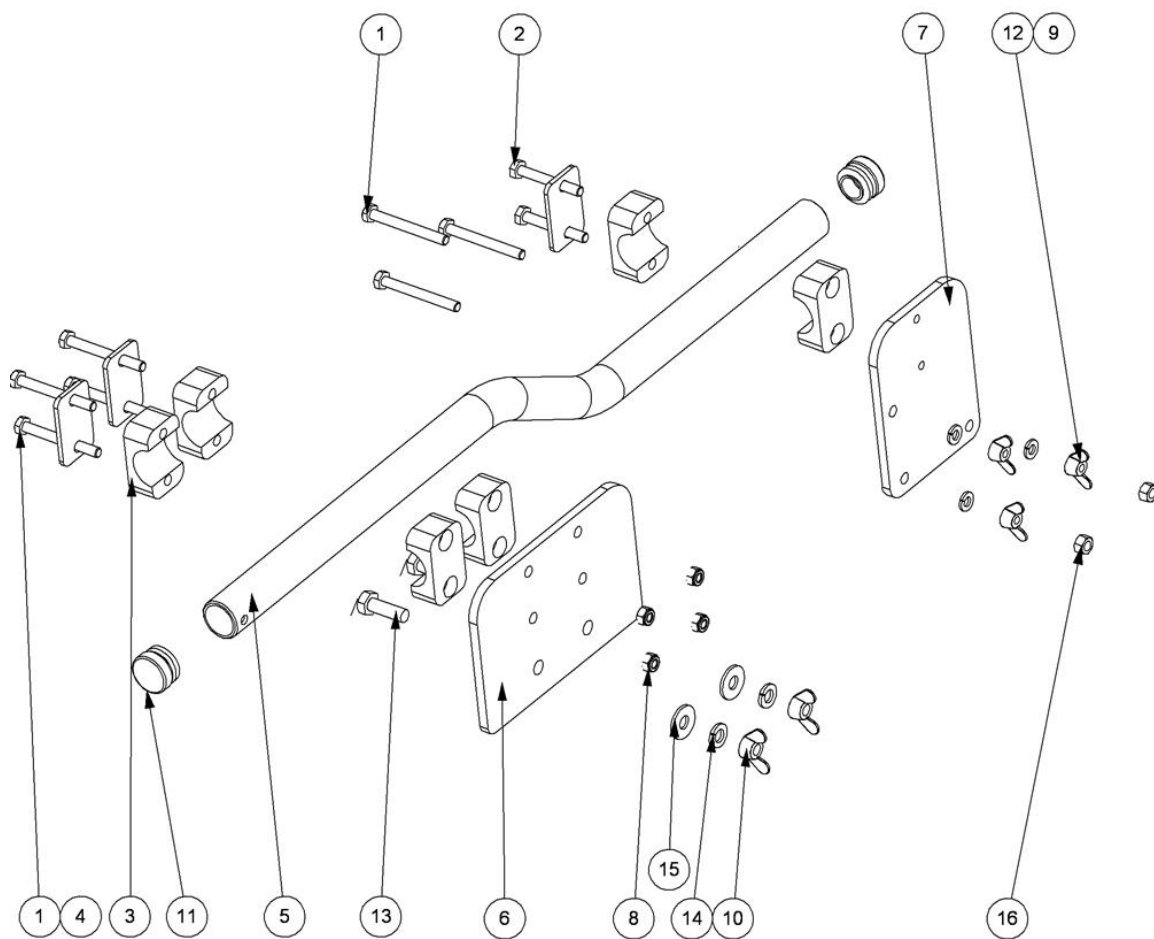
Ref	Part No	Description	QTY
7	1290078	DECAL	1
8	1290965	DECAL	1
10	7135295	DECAL	1

41.080.06 - HOSE KIT BSP



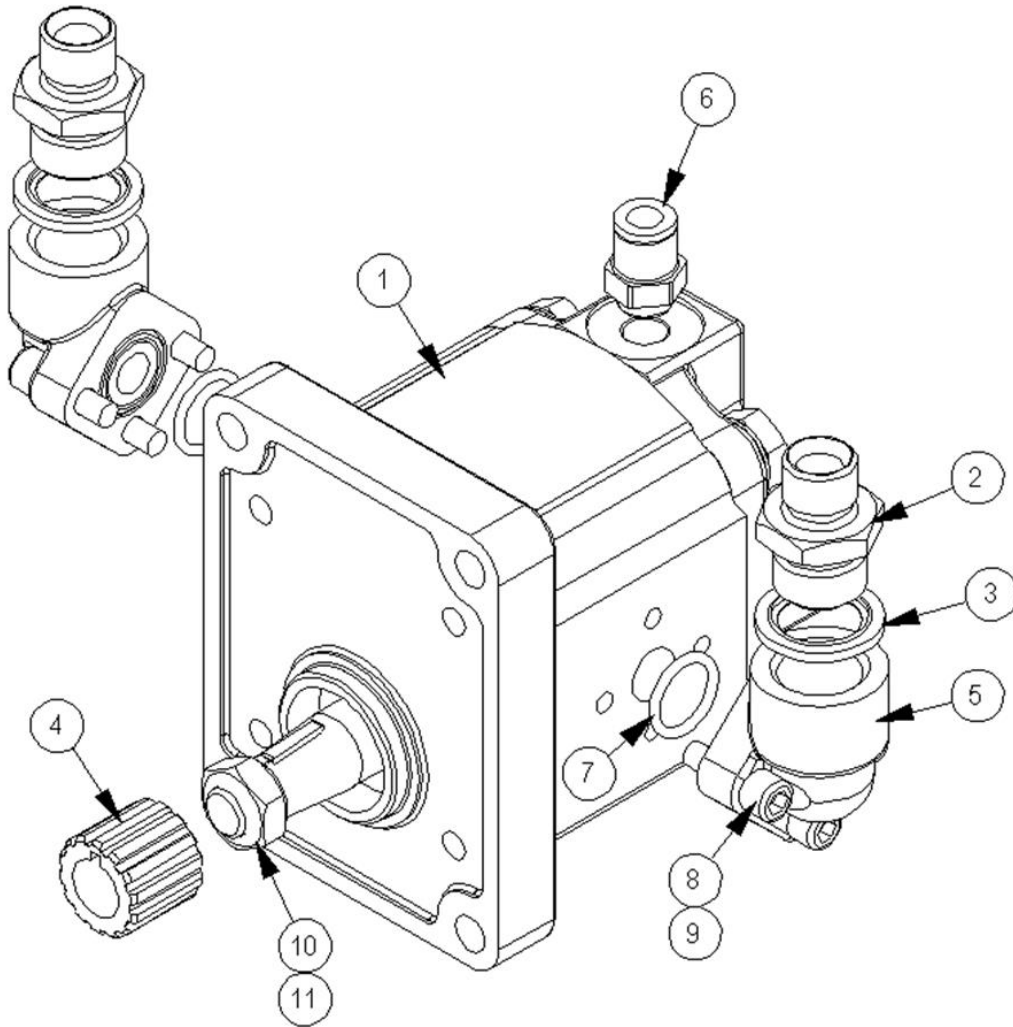
Ref	Part No	Description	QTY
1	10.004.51	HOSE	1
2	10.004.43	HOSE	1
3	10.004.19	HOSE	2
4	10.002.22	HOSE	2
5	10.002.27	HOSE	2
6	10.002.38	HOSE	2

7313275 - CAB KIT



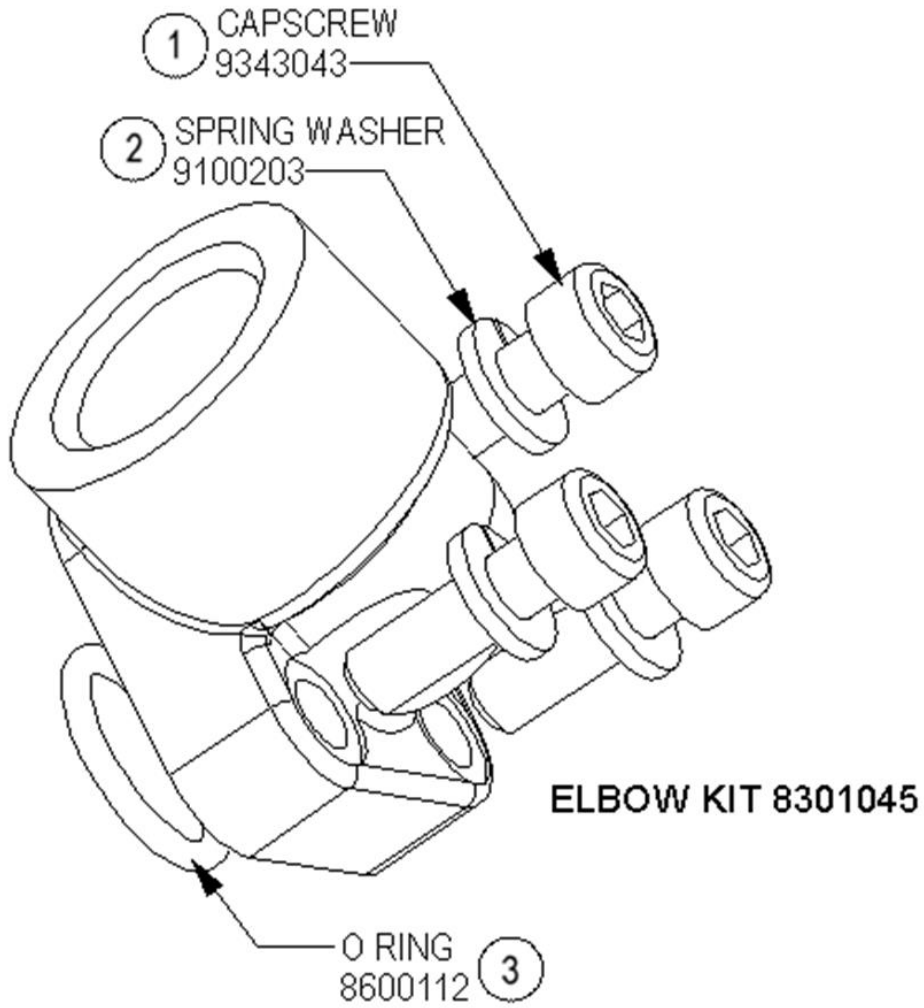
Ref	Part No	Description	QTY
1	9213113	BOLT	7
2	30.068.88	BOLT	2
3	30.209.71	CLAMP	6
4	30.209.73	PLATE	3
5	42312.02	BRACKET	1
6	08.317.01	PLATE	1
7	41.046.01	PLATE	1
8	30.070.64	NUT	6
9	9100203	WASHER	3
10	9193004	NUT	2
11	06.729.02	PLUG insert 111040	2
12	9313054	SCREW	2
13	9100204	WASHER	2
14	9100104	WASHER	2
15	05.948.37	WING NUT	3

~~8301266 - HYD MOTOR ASSY~~



Ref	Part No	Description	QTY
1	8301288	MOTOR	1
2	6000112	ADAPTOR	2
3	8650104	SEAL	2
4	1090035	ADAPTOR	0
5	8301045	ELBOW KIT	0
6	8581330	ADAPTOR	0
7	8600809	O RING	0
8	9343043	SCREW	0
9	9100203	WASHER	0
10	8201134	WASHER	0
11	8201135	NUT	0

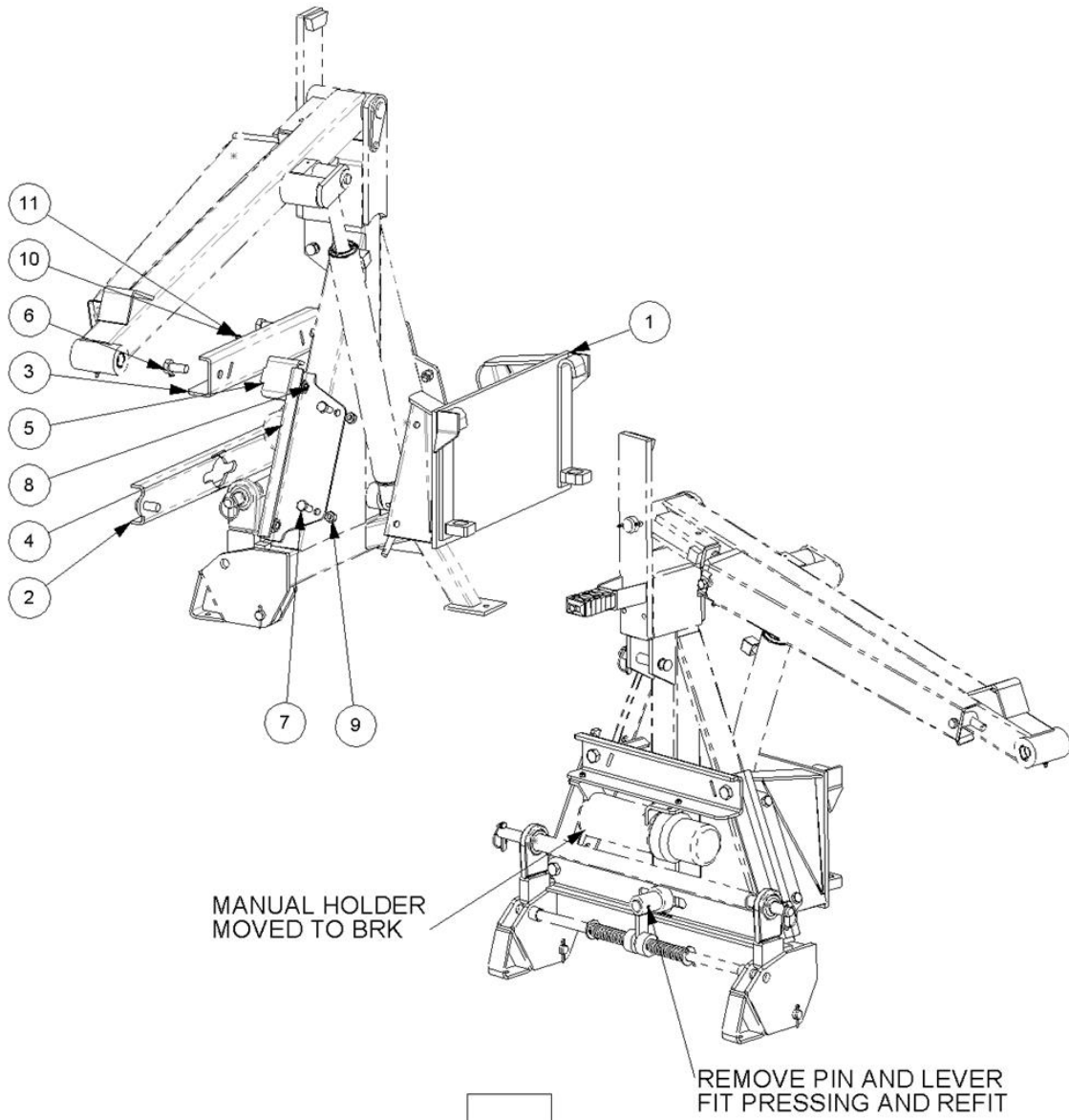
~~8301045 - ELBOW KIT~~



Ref	Part No	Description	QTY
1	9343043	SCREW	3
2	9100203	WASHER	3
3	8600112	O RING	1

ATTACHMENTS

1090740 -



Ref	Part No	Description	QTY
1	23239.04	MOUNT	1
2	23239.05	PRESSING	1
3	23239.06	PRESSING	1
4	23239.07	PRESSING	2
5	23239.08	SPACER	2
6	9313077	SCREW	4
7	9313066	SCREW	4
8	9163007	NUT	4
9	9163006	NUT	4
10	9163003	NUT	2
11	9300143	SCREW	2